

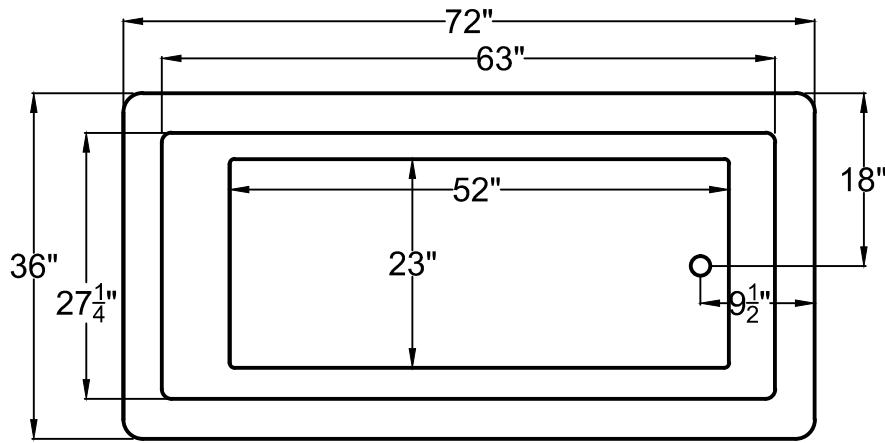
# Universal tubs

your doorway to independent bathing

Thank you for choosing Universal Tubs the nationwide manufacturer of walk-in tubs, bathtubs and bathroom fixtures exclusively made for the Home Depot.



For toll-free information or to speak to a knowledgeable representative simply call **1-877-360-4454** or visit us online at **[www.UniversalTubs.com](http://www.UniversalTubs.com)** or email us at **[info@UniversalTubs.com](mailto:info@UniversalTubs.com)**.



**3672VN**

36" x 72" x 23"

Installation: Drop-in  
cannot be under mounted

**GENERAL SPECIFICATIONS:**

**Material Acrylic**

**Plumbed Weight :** 165lbs / 75 kg

**Soaker Weight :** 135 lbs / 61 kg

**Average Fill:** 65 gal to above jet level

**ELECTRICAL SPECIFICATIONS:**

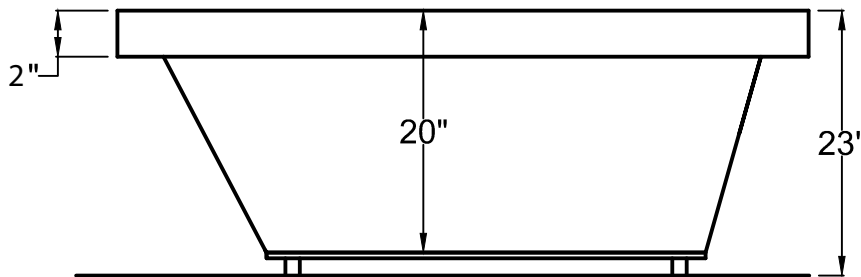
Required Electrical                      Service 110 Volt

Air Bath or Whirlpool                      1-15 amp GFCI

Whirlpool with Inline Heater              1-20 amp GFCI

Whirlpool and Air                              1-20 amp GFCI

Soaker



**PACKAGES AND OPTIONS**

Hydrotherapy Package	Package Contents	Part #
Soaker	Soaking bath - no jets, textured bottom	3672VNS
Whirlpool	Adjustable pointed-massage jets, 1-hp pump, textured bottom	3672VNH
Air Bath	Air jets, Air blower, Textured bottom	3672VNA
Whirlpool and Air	Adjustable pointed-massage jets, 1-hp pump, Air jets, Air blower, textured bottom	3672VND

**OPTIONS**

Colors Available - White Biscuit

Quick Ship - reduces lead time - call for availability

Inline Heater with Pump - Whirlpool or Whirlpool and Air

Lift & Turn Drain Kit -Chrome,Brushed Nickel, White

Color Match Jets.

**IMPORTANT INFORMATION**

- Before ordering or installing, please consider future access to equipment.
- Add bedding compound to fully level and support bottom of tub.
- Tubs equipped with an air bath or a pre-leveled foam base are designed to rest on the floor without bedding compound, provided the floor is level.
- Please measure tub on-site before building tub decking.
- Jet, pump & blower locations are predetermined and cannot be changed.
- Suction and control locations may vary.
- Specifications and configurations are subject to change without notice.
- Measurements are +1/2" and are subject to change without notice.
- Measurements herein supersede all others published prior to publication date shown below.