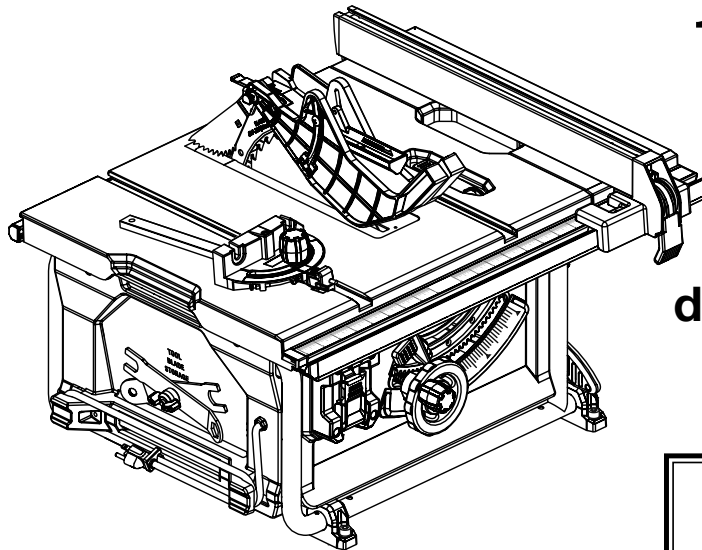


OPERATOR'S MANUAL

MANUEL D'UTILISATION

MANUAL DEL OPERADOR



10 in. TABLE SAW
SCIE À TABLE
de 254 mm (10 po)
SIERRA DE MESA
de 254 mm (10 pulg.)
R45171NS

To register your RIDGID product,
please visit:
<http://register.RIDGID.com>

Pour enregistrer votre produit de
RIDGID, s'il vous plaît la visite :
<http://register.RIDGID.com>

Para registrar su producto de
RIDGID, por favor visita:
<http://register.RIDGID.com>

Your saw has been engineered and manufactured to our high standard for dependability, ease of operation, and operator safety. When properly cared for, it will give you years of rugged, trouble-free performance.

⚠ WARNING:

To reduce the risk of injury, the user must read and understand the operator's manual before using this product.

SAVE THIS MANUAL FOR FUTURE REFERENCE

Cette scie a été conçue et fabriquée conformément aux strictes normes de fiabilité, simplicité d'emploi et sécurité d'utilisation. Correctement entretenu, cet outil vous donnera des années de fonctionnement robuste et sans problème.

⚠ AVERTISSEMENT :

Pour réduire les risques de blessures, l'utilisateur doit lire et veiller à bien comprendre le manuel d'utilisation avant d'employer ce produit.

Su sierra ha sido diseñado y fabricado de conformidad con nuestras estrictas normas para brindar fiabilidad, facilidad de uso y seguridad para el operador. Con el debido cuidado, le brindará muchos años de sólido funcionamiento y sin problemas.

⚠ ADVERTENCIA:

Para reducir el riesgo de lesiones, el usuario debe leer y comprender el manual del operador antes de usar este producto.

**CONSERVER CE MANUEL POUR
FUTURE RÉFÉRENCE**

**GUARDE ESTE MANUAL PARA
FUTURAS CONSULTAS**

TABLE OF CONTENTS

TABLE DES MATIÈRES / ÍNDICE DE CONTENIDO

■ Introduction	2
Introduction / Introducción	
■ General Safety Rules.....	3-4
Règles de sécurité générales / Reglas de seguridad generales	
■ Specific Safety Rules.....	4-5
Règles de sécurité particulières / Reglas de seguridad específicas	
■ Symbols.....	6
Symboles / Símbolos	
■ Electrical	7
Caractéristiques électriques / Aspectos eléctricos	
■ Glossary of Terms.....	8
Glossaire / Glosario de términos	
■ Features.....	9-11
Caractéristiques / Características	
■ Tools Needed.....	12
Outils nécessaires / Herramientas necesarias	
■ Loose Parts	13
Liste des pièces détachées / Lista de piezas sueltas	
■ Assembly.....	14-19
Assemblage / Armado	
■ Operation.....	20-33
Utilisation / Funcionamiento	
■ Adjustments.....	34-36
Réglages / Ajustes	
■ Maintenance.....	37
Entretien / Mantenimiento	
■ Accessories	37
Accessoires / Accesorios	
■ Troubleshooting	38-39
Dépannage / Solución de problemas	
■ Warranty	40
Garantie / Garantía	
■ Parts Ordering and Service	Back page
Commande de pièces et réparation / Pedidos de piezas y servicio	Page arrière / Pág. posterior

INTRODUCTION

INTRODUCTION / INTRODUCCIÓN

This product has many features for making its use more pleasant and enjoyable. Safety, performance, and dependability have been given top priority in the design of this product making it easy to maintain and operate.

* * *

Ce produit offre de nombreuses fonctions destinées à rendre son utilisation plus plaisante et satisfaisante. Lors de la conception de ce produit, l'accent a été mis sur la sécurité, les performances et la fiabilité, afin d'en faire un outil facile à utiliser et à entretenir.

* * *

Este producto ofrece numerosas características para hacer más agradable y placentero su uso. En el diseño de este producto se ha conferido prioridad a la seguridad, el desempeño y la fiabilidad, por lo cual se facilita su manejo y mantenimiento.

GENERAL SAFETY RULES

WARNING:

Read and understand all instructions. Failure to follow all instructions listed below, may result in electric shock, fire and/or serious personal injury.

READ ALL INSTRUCTIONS

- **KNOW YOUR POWER TOOL.** Read the operator's manual carefully. Learn the saw's applications and limitations as well as the specific potential hazards related to this tool.
 - **GUARD AGAINST ELECTRICAL SHOCK BY PREVENTING BODY CONTACT WITH GROUNDED SURFACES.** For example, pipes, radiators, ranges, refrigerator enclosures.
 - **KEEP GUARDS IN PLACE** and in good working order.
 - **REMOVE ADJUSTING KEYS AND WRENCHES.** Form habit of checking to see that keys and adjusting wrenches are removed from tool before turning it on.
 - **KEEP WORK AREA CLEAN.** Cluttered areas and benches invite accidents. **DO NOT** leave tools or pieces of wood on the saw while it is in operation.
 - **DO NOT USE IN DANGEROUS ENVIRONMENTS.** Do not use power tools in damp or wet locations or expose to rain. Keep the work area well lit.
 - **KEEP CHILDREN AND VISITORS AWAY.** All visitors should wear safety glasses and be kept a safe distance from work area. Do not let visitors contact tool or extension cord while operating.
 - **MAKE WORKSHOP CHILDPROOF** with padlocks and master switches, or by removing starter keys.
 - **DON'T FORCE TOOL.** It will do the job better and safer at the feed rate for which it was designed.
 - **USE RIGHT TOOL.** Don't force the tool or attachment to do a job it was not designed for. Don't use it for a purpose not intended.
 - **USE THE PROPER EXTENSION CORD.** Make sure your extension cord is in good condition. Use only a cord heavy enough to carry the current your product will draw. An undersized cord will cause a drop in line voltage resulting in loss of power and overheating. A wire gauge size (A.W.G.) of at least **14** is recommended for an extension cord 25 feet or less in length. If in doubt, use the next heavier gauge. The smaller the gauge number, the heavier the cord.
 - **DRESS PROPERLY.** Do not wear loose clothing, gloves, neckties, or jewelry. They can get caught and draw you into moving parts. Also wear protective hair covering to contain long hair.
 - **ALWAYS WEAR EYE PROTECTION WITH SIDE SHIELDS MARKED TO COMPLY WITH ANSI Z87.1.**
- Failure to do so could result in objects being thrown into your eyes, resulting in possible serious injury.
- **SECURE WORK.** Use a featherboard to hold work when practical. It's safer than using your hand and frees both hands to operate tool.
 - **DON'T OVERREACH.** Keep proper footing and balance at all times.
 - **MAINTAIN TOOLS WITH CARE.** Keep tools sharp and clean for better and safer performance. Follow instructions for lubricating and changing accessories.
 - **DISCONNECT TOOLS.** When not in use, before servicing, or when changing attachments, blades, bits, cutters, etc., all tools should be disconnected.
 - **AVOID ACCIDENTAL STARTING.** Be sure switch is off when plugging in any tool.
 - **USE RECOMMENDED ACCESSORIES.** Consult the operator's manual for recommended accessories. The use of improper accessories may risk injury.
 - **NEVER STAND ON TOOL.** Serious injury could occur if the tool is tipped or if the cutting tool is unintentionally contacted.
 - **CHECK DAMAGED PARTS.** Before further use of the tool, a guard or other part that is damaged should be carefully checked to determine that it will operate properly and perform its intended function. Check for alignment of moving parts, binding of moving parts, breakage of parts, mounting and any other conditions that may affect its operation. A guard or other part that is damaged must be properly repaired or replaced by an authorized service center to avoid risk of personal injury.
 - **USE THE RIGHT DIRECTION OF FEED.** Feed work into a blade or cutter against the direction of rotation of blade or cutter only.
 - **NEVER LEAVE TOOL RUNNING UNATTENDED. TURN THE POWER OFF.** Don't leave tool until it comes to a complete stop.
 - **PROTECT YOUR LUNGS.** Wear a face or dust mask if the cutting operation is dusty.
 - **PROTECT YOUR HEARING.** Wear hearing protection during extended periods of operation.
 - **DO NOT ABUSE CORD.** Never yank cord to disconnect from receptacle. Keep cord away from heat, oil, and sharp edges.
 - **WHEN OPERATING A POWER TOOL OUTSIDE, USE AN OUTDOOR EXTENSION CORD MARKED "W-A" OR "W".** These cords are rated for outdoor use and reduce the risk of electric shock.
 - **ALWAYS KEEP THE BLADE GUARD AND RIVING KNIFE (SPLITTER) IN PLACE** and in working order.
 - **KEEP BLADES CLEAN, SHARP, AND WITH SUFFICIENT SET.** Sharp blades minimize stalling and kickback.

GENERAL SAFETY RULES

- **KEEP HANDS AWAY FROM CUTTING AREA.** Keep hands away from blades. Do not reach underneath work or around or over the blade while blade is rotating. Do not attempt to remove cut material when blade is moving.
- **BLADE COASTS AFTER BEING TURNED OFF.**
- **NEVER USE IN AN EXPLOSIVE ATMOSPHERE.** Normal sparking of the motor could ignite fumes.
- **INSPECT TOOL CORDS PERIODICALLY.** If damaged, have repaired by a qualified service technician at an authorized service facility. The conductor with insulation having an outer surface that is green with or without yellow stripes is the equipment-grounding conductor. If repair or replacement of the electric cord or plug is necessary, do not connect the equipment-grounding conductor to a live terminal. Repair or replace a damaged or worn cord immediately. Stay constantly aware of cord location and keep it well away from the rotating blade.
- **INSPECT EXTENSION CORDS PERIODICALLY** and replace if damaged.
- **GROUND ALL TOOLS.** If tool is equipped with three-prong plug, it should be plugged into a three-hole electrical receptacle.
- **CHECK WITH A QUALIFIED ELECTRICIAN** or service personnel if the grounding instructions are not completely understood or if in doubt as to whether the tool is properly grounded.
- **USE ONLY CORRECT ELECTRICAL DEVICES:** 3-wire extension cords that have 3-prong grounding plugs and 3-pole receptacles that accept the tool's plug.
- **DO NOT MODIFY** the plug provided. If it will not fit the outlet, have the proper outlet installed by a qualified electrician.
- **KEEP TOOL DRY, CLEAN, AND FREE FROM OIL AND GREASE.** Always use a clean cloth when cleaning. Never use brake fluids, gasoline, petroleum-based products, or any solvents to clean tool.
- **STAY ALERT AND EXERCISE CONTROL.** Watch what you are doing and use common sense. Do not operate tool when you are tired. Do not rush.
- **DO NOT USE TOOL IF SWITCH DOES NOT TURN IT ON AND OFF.** Have defective switches replaced by an authorized service center.
- **USE ONLY CORRECT BLADES.** Do not use blades with incorrect size holes. Never use blade washers or blade bolts that are defective or incorrect. The maximum blade capacity of your saw is 10 in. (254 mm).
- **BEFORE MAKING A CUT, BE SURE ALL ADJUSTMENTS ARE SECURE.**
- **BE SURE BLADE PATH IS FREE OF NAILS.** Inspect for and remove all nails from lumber before cutting.
- **NEVER TOUCH BLADE** or other moving parts during use.
- **NEVER START A TOOL WHEN ANY ROTATING COMPONENT IS IN CONTACT WITH THE WORKPIECE.**
- **DO NOT OPERATE A TOOL WHILE UNDER THE INFLUENCE OF DRUGS, ALCOHOL, OR ANY MEDICATION.**
- **WHEN SERVICING** use only identical replacement parts. Use of any other parts may create a hazard or cause product damage.
- **USE ONLY RECOMMENDED ACCESSORIES** listed in this manual or addendums. Use of accessories that are not listed may cause the risk of personal injury. Instructions for safe use of accessories are included with the accessory.
- **DOUBLE CHECK ALL SETUPS.** Make sure blade is tight and not making contact with saw or workpiece before connecting to power supply.

SPECIFIC SAFETY RULES




- **FIRMLY BOLT THE SAW TO A WORKBENCH OR LEG STAND** at approximately waist height.
- **ALWAYS MAKE SURE THE TABLE SAW IS SECURELY MOUNTED TO A WORKBENCH OR AN APPROVED LEG STAND. NEVER OPERATE THE SAW ON THE FLOOR.**
- **GUARD AGAINST KICKBACK.** Kickback occurs when the blade stalls rapidly and workpiece is driven back towards the operator. It can pull your hand into the blade resulting in serious personal injury. Stay out of blade path and turn switch off immediately if blade binds or stalls.
- **USE RIP FENCE.** Always use a fence or straight edge guide when ripping.
- **SUPPORT LARGE PANELS.** To minimize risk of blade pinching and kickback, always support large panels.
- **REMOVE ALL FENCES AND AUXILIARY TABLES** before transporting saw. Failure to do so can result in an accident causing possible serious personal injury.
- **ALWAYS USE BLADE GUARD, RIVING KNIFE, AND ANTI-KICKBACK PAWLS** on all “through-sawing” operations. Through-sawing operations are those in which the blade cuts completely through the workpiece as in ripping or cross cutting. Keep the blade guard down, the anti-kickback pawls down, and the spreader in place over the blade.
- **ALWAYS SECURE WORK** firmly against the rip fence or miter gauge.

SPECIFIC SAFETY RULES







- **WHEN RIPPING NARROW STOCK**, always use a push stick, push block, jig (designed for narrow ripping), or featherboard.
- **WHEN MAKING NON-THROUGH RIP CUTS**, always use a push stick, push block, and/or featherboard so your hands do not come within 3 inches of the saw blade.
- **ALWAYS USE A PUSH STICK FOR RIPPING NARROW STOCK**. A push stick is a device used to push a workpiece through the blade instead of using your hands. Size and shape can vary but the push stick must always be narrower than the workpiece to prevent the push stick from contacting the saw blade. When ripping narrow stock, always use a push stick, or the jig mentioned in the **How to Make A Jig (For Rip Cutting Narrow Workpiece)** section of this manual, so your hand does not come close to the saw blade. Use a featherboard and push blocks for non-through cuts.
- **NEVER** perform any operation “freehand” which means using only your hands to support or guide the workpiece. Always use either the rip fence or miter fence to position and guide the work.
- **NEVER** stand or have any part of your body in line with the path of the saw blade.
- **NEVER** reach behind, over, or within three inches of the blade or cutter with either hand for any reason.
- **MOVE THE RIP FENCE** out of the way when cross cutting.
- **NEVER** use rip fence as cutoff gauge when cross cutting.
- **NEVER** attempt to free a stalled saw blade without first turning the saw **OFF** and disconnecting the saw from the power source.
- **PROVIDE ADEQUATE SUPPORT** to the rear and sides of the saw table for wide or long work pieces.
- **AVOID KICKBACKS** (work thrown back toward you) by:
 - a) Keeping blade sharp.
 - b) Keeping rip fence parallel to the saw blade.
 - c) Keeping riving knife, anti-kickback pawls, and blade guard in place and operating.
 - d) Not releasing the work before it is pushed all the way past the saw blade using a push stick.
 - e) Not ripping work that is twisted or warped or does not have a straight edge to guide along the fence.
- **IF THE POWER SUPPLY CORD IS DAMAGED**, it must be replaced only by the manufacturer or by an authorized service center to avoid risk.
- **AVOID AWKWARD OPERATIONS AND HAND POSITIONS** where a sudden slip could cause your hand to move into the cutting tool.
- **USE ONLY RECOMMENDED ACCESSORIES** listed in this manual or addendums. Use of accessories that are not listed may cause the risk of personal injury. Instructions for safe use of accessories are included with the accessory.
- **MAKE SURE THE WORK AREA HAS AMPLE LIGHTING** to see the work and that no obstructions will interfere with safe operation **BEFORE** performing any work using the table saw.
- **ALWAYS TURN OFF SAW** before disconnecting it, to avoid accidental starting when reconnecting to power supply.
- **ONLY USE BLADES** within the thickness range stamped on the riving knife.
- **THIS TOOL** should have the following markings:
 - a) Wear eye protection.
 - b) Use saw blade guard and riving knife for every operation for which it can be used, including all through sawing.
 - c) Keep hands out of the line of saw blade.
 - d) Use a push stick when required.
 - e) Pay particular attention to instructions on reducing risk of kickback.
 - f) Do not perform any operation freehand.
 - g) Never reach around or over the saw blade.
- **NEVER CUT MORE THAN ONE PIECE OF MATERIAL AT A TIME**.
- **SAVE THESE INSTRUCTIONS**. Refer to them frequently and use to instruct other users. If you loan someone this tool, loan them these instructions too.

SYMBOLS

The following signal words and meanings are intended to explain the levels of risk associated with this product.

SYMBOL	SIGNAL	MEANING
	DANGER:	Indicates a hazardous situation, which, if not avoided, will result in death or serious injury.
	WARNING:	Indicates a hazardous situation, which, if not avoided, could result in death or serious injury.
	CAUTION:	Indicates a hazardous situation, that, if not avoided, may result in minor or moderate injury.
	NOTICE:	(Without Safety Alert Symbol) Indicates information considered important, but not related to a potential injury (e.g. messages relating to property damage).

Some of the following symbols may be used on this tool. Please study them and learn their meaning. Proper interpretation of these symbols will allow you to operate the tool better and safer.

SYMBOL	NAME	DESIGNATION/EXPLANATION
	Safety Alert	Indicates a potential personal injury hazard.
	Read Operator's Manual	To reduce the risk of injury, user must read and understand operator's manual before using this product.
	Eye Protection	Always wear eye protection with side shields marked to comply with ANSI Z87.1.
	No Hands Symbol	Failure to keep your hands away from the blade will result in serious personal injury.
	Wet Conditions Alert	Do not expose to rain or use in damp locations.
	Pinch Warning	Always watch for movement paying extra attention to potential areas where pinching could occur.
V	Volts	Voltage
A	Amperes	Current
Hz	Hertz	Frequency (cycles per second)
min	Minutes	Time
~	Alternating Current	Type of current
n_0	No Load Speed	Rotational speed, at no load
.../min	Per Minute	Revolutions, strokes, surface speed, orbits, etc., per minute

ELECTRICAL

EXTENSION CORDS

Use only 3-wire extension cords that have 3-prong grounding plugs and 3-pole receptacles that accept the tool's plug. When using a power tool at a considerable distance from the power source, use an extension cord heavy enough to carry the current that the tool will draw. An undersized extension cord will cause a drop in line voltage, resulting in a loss of power and causing the motor to overheat. Use the chart provided below to determine the minimum wire size required in an extension cord. Only round jacketed cords listed by Underwriter's Laboratories (UL) should be used.

**Ampere rating (on tool faceplate)

Cord Length	Wire Size (A.W.G.)					
	0-2.0	2.1-3.4	3.5-5.0	5.1-7.0	7.1-12.0	12.1-16.0
25'	16	16	16	16	14	14
50'	16	16	16	14	14	12
100'	16	16	14	12	10	—

**Used on 12 gauge - 20 amp circuit.

NOTE: AWG = American Wire Gauge

When working with the tool outdoors, use an extension cord that is designed for outside use. This is indicated by the letters "W-A" or "W" on the cord's jacket.

Before using an extension cord, inspect it for loose or exposed wires and cut or worn insulation.

WARNING:

Keep the extension cord clear of the working area. Position the cord so that it will not get caught on lumber, tools or other obstructions while you are working with a power tool. Failure to do so can result in serious personal injury.

WARNING:

Check extension cords before each use. If damaged replace immediately. Never use product with a damaged cord since touching the damaged area could cause electrical shock resulting in serious injury.

ELECTRICAL CONNECTION

This product is powered by a precision built electric motor. It should be connected to a **power supply that is 120 V, AC only (normal household current), 60 Hz**. Do not operate this product on direct current (DC). A substantial voltage drop will cause a loss of power and the motor will overheat. If the saw does not operate when plugged into an outlet, double check the power supply.

SPEED AND WIRING

The no-load speed of this tool is approximately 5,000 rpm. This speed is not constant and decreases under a load or with lower voltage. For voltage, the wiring in a shop is as important as the motor's horsepower rating. A line intended only for lights cannot properly carry a power tool motor. Wire that is heavy enough for a short distance will be too light for a greater distance. A line that can support one power tool may not be able to support two or three tools.

GROUNDING INSTRUCTIONS

This product must be grounded. In the event of a malfunction or breakdown, grounding provides a path of least resistance for electric current to reduce the risk of electric shock. This tool is equipped with an electric cord having an equipment-grounding conductor and a grounding plug. The plug must be plugged into a matching outlet that is properly installed and grounded in accordance with all local codes and ordinances.

Do not modify the plug provided. If it will not fit the outlet, have the proper outlet installed by a qualified electrician.

WARNING:

Improper installation of the grounding plug can result in a risk of electric shock. When repair or replacement of the cord is required, do not connect the grounding wire to either flat blade terminal. The wire with insulation having an outer surface that is green with or without yellow stripes is the grounding wire.

Check with a qualified electrician or service personnel if the grounding instructions are not completely understood, or if in doubt as to whether the tool is properly grounded.

Repair or replace a damaged or worn cord immediately.

This product is for use on a nominal 120 volt circuit and has a grounding plug similar to the plug illustrated in figure 1. Only connect the product to an outlet having the same configuration as the plug. Do not use an adapter with this product.

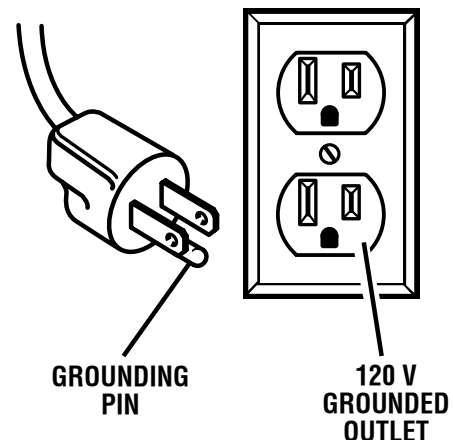


Fig. 1

GLOSSARY OF TERMS

Anti-Kickback Pawls (radial arm and table saws)

A device which, when properly installed and maintained, is designed to stop the workpiece from being kicked back toward the front of the saw during a ripping operation.

Arbor

The shaft on which a blade or cutting tool is mounted.

Bevel Cut

A cutting operation made with the blade at any angle other than 90° to the table surface.

Chamfer

A cut removing a wedge from a block so the end (or part of the end) is angled rather than at 90°.

Compound Cut

A cross cut made with both a miter and a bevel angle.

Cross Cut

A cutting or shaping operation made across the grain or the width of the workpiece.

Cutter Head (planers and jointer planers)

A rotating cutterhead with adjustable blades or knives. The blades or knives remove material from the workpiece.

Dado Cut (table saws and compound sliding miter saws)

A non-through cut which produces a square, three-sided notch or trough in the workpiece.

Featherboard (table saws)

A device used to help control the workpiece by guiding it securely against the table or fence during any ripping operation.

FPM or SPM

Feet per minute (or strokes per minute), used in reference to blade movement.

Freehand

Performing a cut without the workpiece being guided by a fence, miter fence, or other aids.

Gum

A sticky, sap-based residue from wood products.

Heel

Alignment of the blade to the fence.

Kerf

The material removed by the blade in a through cut or the slot produced by the blade in a non-through or partial cut.

Kickback

A hazard that can occur when the blade binds or stalls, throwing the workpiece in the direction of the spinning blade.

Miter Cut

A cutting operation made with the workpiece at any angle to the blade other than 90°.

Non-Through Cuts (table saws and compound sliding miter saws)

Any cutting operation where the blade does not extend completely through the thickness of the workpiece. This is a cut where the blade will not cut the workpiece into two pieces.

Pilot Hole (drill presses and scroll saws)

A small hole drilled in a workpiece that serves as a guide for drilling large holes accurately or for insertion of a scroll saw blade.

Push Blocks (jointer planers)

Device used to feed the workpiece over the jointer planer cutterhead during any operation. This aid helps keep the operator's hands well away from the cutterhead.

Push Blocks and Push Sticks (table saws)

Devices used to feed the workpiece through the saw blade during cutting operations. When making a narrow rip cut without a jig or similar cutting aid, always use a push stick (not a push block). A push block can be used for narrow ripping operations, if a jig or similar cutting aid is used. These aids help keep the operator's hands well away from the blade.

Rabbet

A non-through cut positioned on the end or edge of the workpiece which produces a square, two-sided notch or trough in the workpiece.

Resaw (table saws and band saws)

A cutting operation to reduce the thickness of the workpiece to make thinner pieces.

Resin

A sticky, sap-based substance that has hardened.

Revolutions Per Minute (RPM)

The number of turns completed by a spinning object in one minute.

Ripping or Rip Cut (table saws)

A cutting operation along the length of the workpiece and typically in the direction of the grain.

Living Knife/Spreader/Splitter (table saws)

A metal piece, slightly thinner than the blade, which helps keep the kerf open and also helps to prevent kickback.

Saw Blade Path

The area over, under, behind, or in front of the blade. As it applies to the workpiece, that area which will be or has been cut by the blade.

Snipe (planers)

Depression made at either end of a workpiece by cutter blades when the workpiece is not properly supported.

Taper Cut

A cut where the material being cut has a different width at the beginning of the cut from the end.

Through Sawing

Any cutting operation where the blade extends completely through the thickness of the workpiece. This type of cut will separate a single workpiece into two pieces.

Workpiece or Material

The item on which the operation is being done.

Worktable

Surface where the workpiece rests while performing a cutting, drilling, planing, or sanding operation.

FEATURES

PRODUCT SPECIFICATIONS

Blade Arbor 5/8 in.
 Blade Diameter 10 in.
 Bevel Tilt 0° - 45°
 Rating 120 V~, 15 Amps, 60 Hz

No Load Speed 5,000 r/min. (RPM)
 Cutting Depth at 0° 3-1/4 in.
 Cutting Depth at 45° 2-3/8 in.

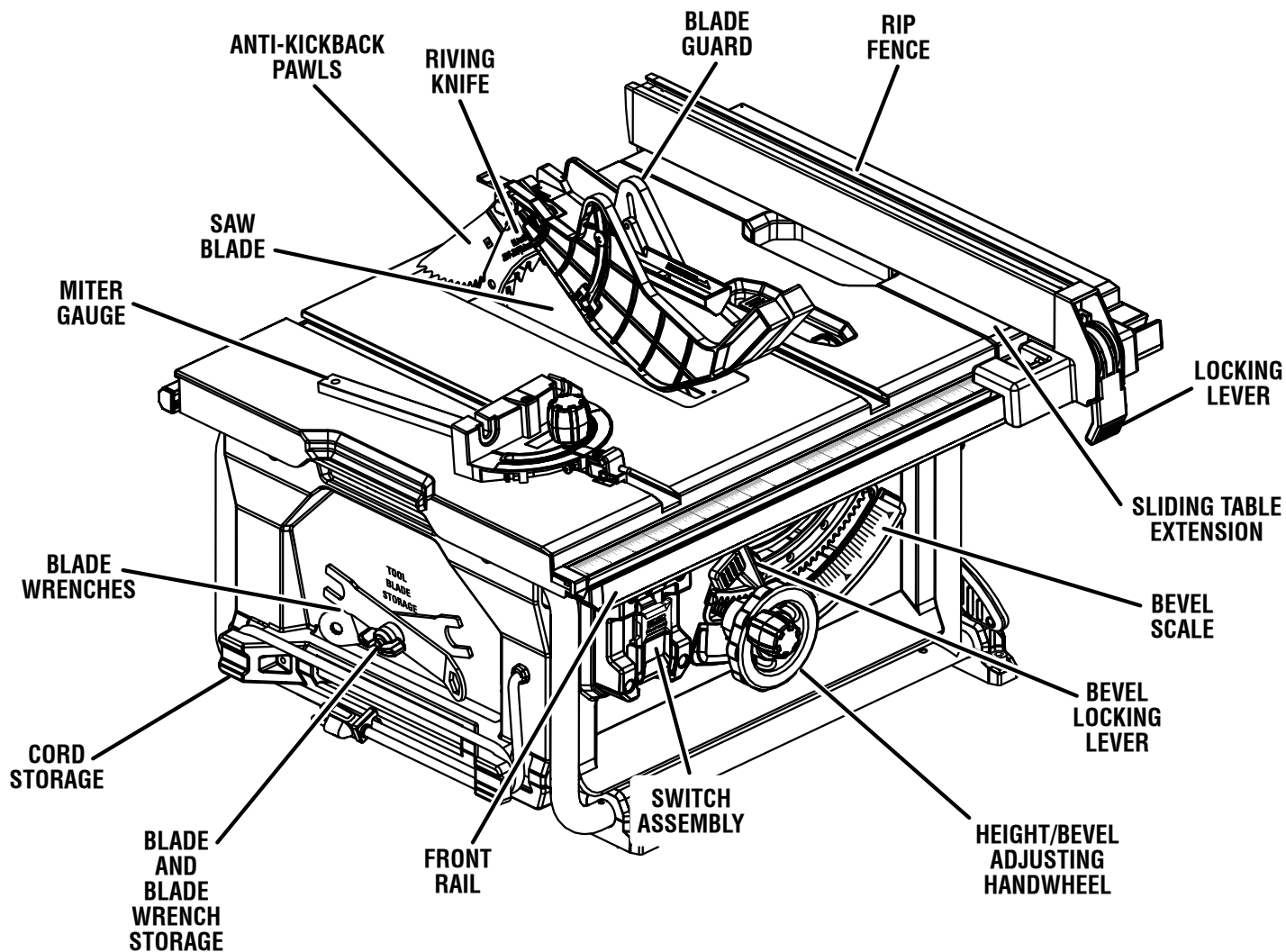


Fig. 2

FEATURES

KNOW YOUR TABLE SAW

See Figure 2.

The safe use of this product requires an understanding of the information on the tool and in this operator's manual as well as a knowledge of the project you are attempting. Before use of this product, familiarize yourself with all operating features and safety rules.

ANTI-KICKBACK PAWLS - Kickback is a hazard in which the workpiece is thrown back toward the operator. The teeth on the removable anti-kickback pawls point away from the workpiece. If the workpiece should be pulled back toward the operator, the teeth dig into the wood to help prevent or reduce the possibility of kickback.

BEVEL LOCKING LEVER - This lever, placed just under the saw table surface on the front of the cabinet, locks the angle setting of the blade.

BEVEL SCALE - The easy-to-read scale on the front of the cabinet shows the exact blade angle.

BLADE - For maximum performance, it is recommended that you use the 10 in. carbide tipped combination blade provided with your saw. The blade is raised and lowered with the height/bevel adjusting handwheel. Bevel angles are locked with the bevel locking lever. Additional blade styles of the same high quality are available for specific operations such as ripping. Your local dealer can provide you with complete information.

Blade kerf width must be within the limits stamped on the riving knife.

WARNING:

Do not use blades rated less than the speed of this tool. Failure to heed this warning could result in personal injury.

BLADE GUARD - Always keep the removable blade guard down over the saw blade for through-sawing cuts.

HEIGHT/BEVEL ADJUSTING HANDWHEEL - Located on the front of the cabinet, use this handwheel to lower and raise the blade for height adjustments or blade replacement and to make the adjustment for bevel angles.

MITER GAUGE - The miter gauge aligns the workpiece for a cross cut. The easy-to-read indicator shows the exact angle for a miter cut, with positive stops at 90° and 45°.

MITER GAUGE GROOVES - The miter gauge rides in the grooves on the saw table.

RIP FENCE - A sturdy metal fence guides the workpiece and is secured with the locking handle. Grooves run along the top and sides of the rip fence for use with optional clamps and accessories.

RIP SCALE - Located on the front rail, the easy-to-read rip scale provides precise measurements for rip cuts.

RIVING KNIFE - A removable metal piece of the blade guard assembly, slightly thinner than the saw blade, which helps keep the kerf open and prevent kickback. When in the through sawing, or "up" position, it is higher than the saw blade. When in the non-through sawing, or "down" position, it is below the saw blade teeth.

SLIDING TABLE EXTENSION - Located on right side of the saw table, this table extension gives the operator additional support when cutting wide workpieces.

SOFTstart - This saw is equipped with SOFTstart. SOFTstart gradually brings the motor to operating speed by electronically reducing the load and torque at initial start. SOFTstart minimizes the likelihood of tripping circuit breakers.

SWITCH ASSEMBLY - This saw has an easy access switch assembly located below the front rail. To lock the switch in the **OFF** position, remove the switch key from the switch. Place the key in a location that is inaccessible to children and others not qualified to use the tool.

FEATURES

OPERATING COMPONENTS

The upper portion of the blade projects up through the table and is surrounded by an insert called the throat plate. The height of the blade is set with a handwheel on the front of the cabinet. Detailed instructions are provided in the *Operation* section of this manual for the basic cuts: cross cuts, miter cuts, bevel cuts, and compound cuts.

The rip fence is used to position work for lengthwise cuts. A scale on the front rail shows the distance between the rip fence and the blade.

It is very important to use the blade guard assembly for all through-sawing operations. The blade guard assembly includes: riving knife, anti-kickback pawls, and blade guard.

SWITCH ASSEMBLY

See Figure 3.

This saw is equipped with a switch assembly that has a built-in locking feature. This feature is intended to prevent unauthorized and possible hazardous use by children and others.

TO TURN YOUR SAW ON:

- With the switch key inserted into the switch, lift the switch to turn on (I).

TO TURN YOUR SAW OFF:

- Press the switch down to turn off (O).

TO LOCK YOUR SAW:

- Press the switch down.
- Remove the switch key from the switch and store in a safe, secure location.

WARNING:

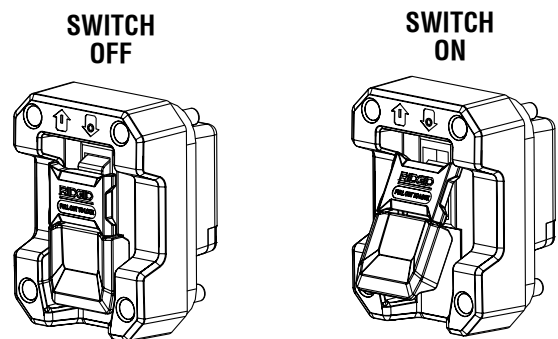
ALWAYS remove the switch key when the tool is not in use and keep it in a safe place. In the event of a power failure, turn the switch off (O) and remove the key. This action will prevent the tool from accidentally starting when power returns.

WARNING:

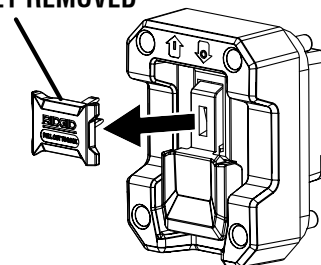
ALWAYS make sure your workpiece is not in contact with the blade before operating the switch to start the tool. Failure to heed this warning may cause the workpiece to be kicked back toward the operator and result in serious personal injury.

WARNING:

To reduce the risk of accidental starting, Always make sure the switch is in the off (O) position before plugging tool into the power source.



SWITCH KEY REMOVED



SWITCH IN LOCKED POSITION

Fig. 3

TOOLS NEEDED

The following tools (not included or drawn to scale) are needed for assembly and adjustment:

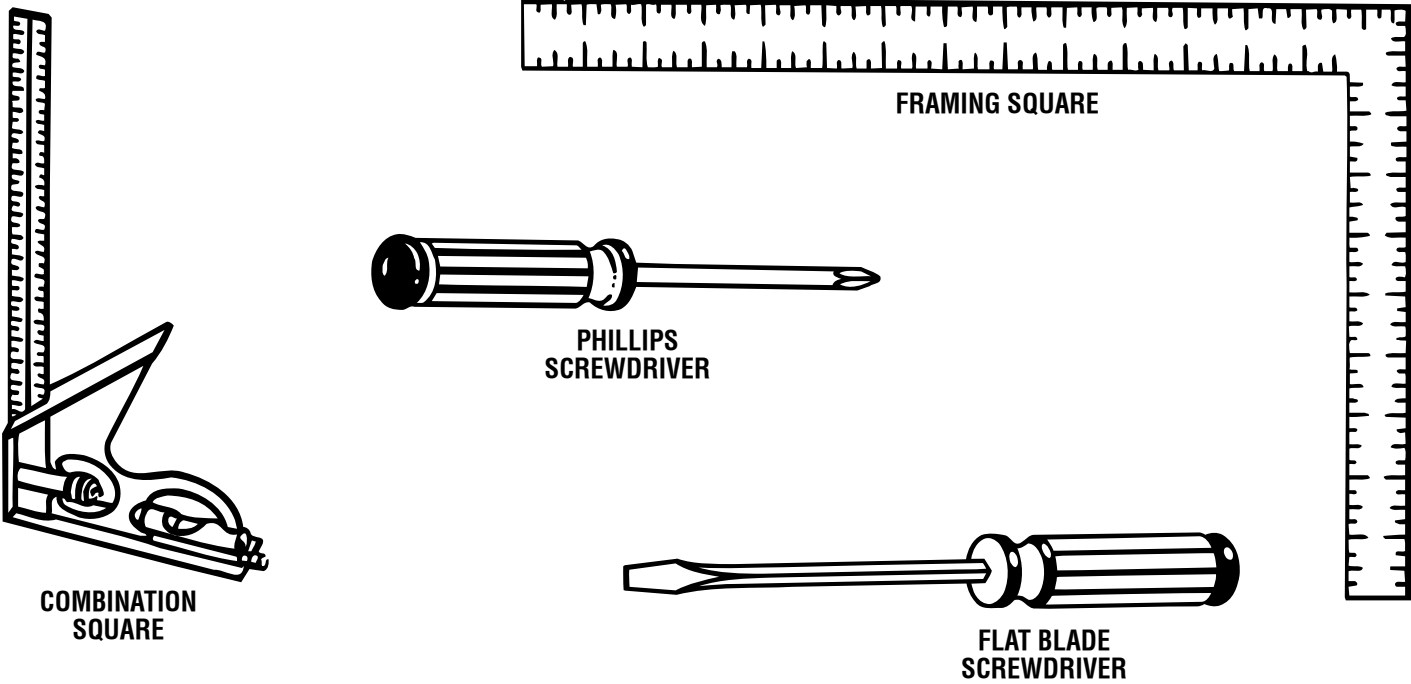


Fig. 4

LOOSE PARTS

The following items are included with your table saw:

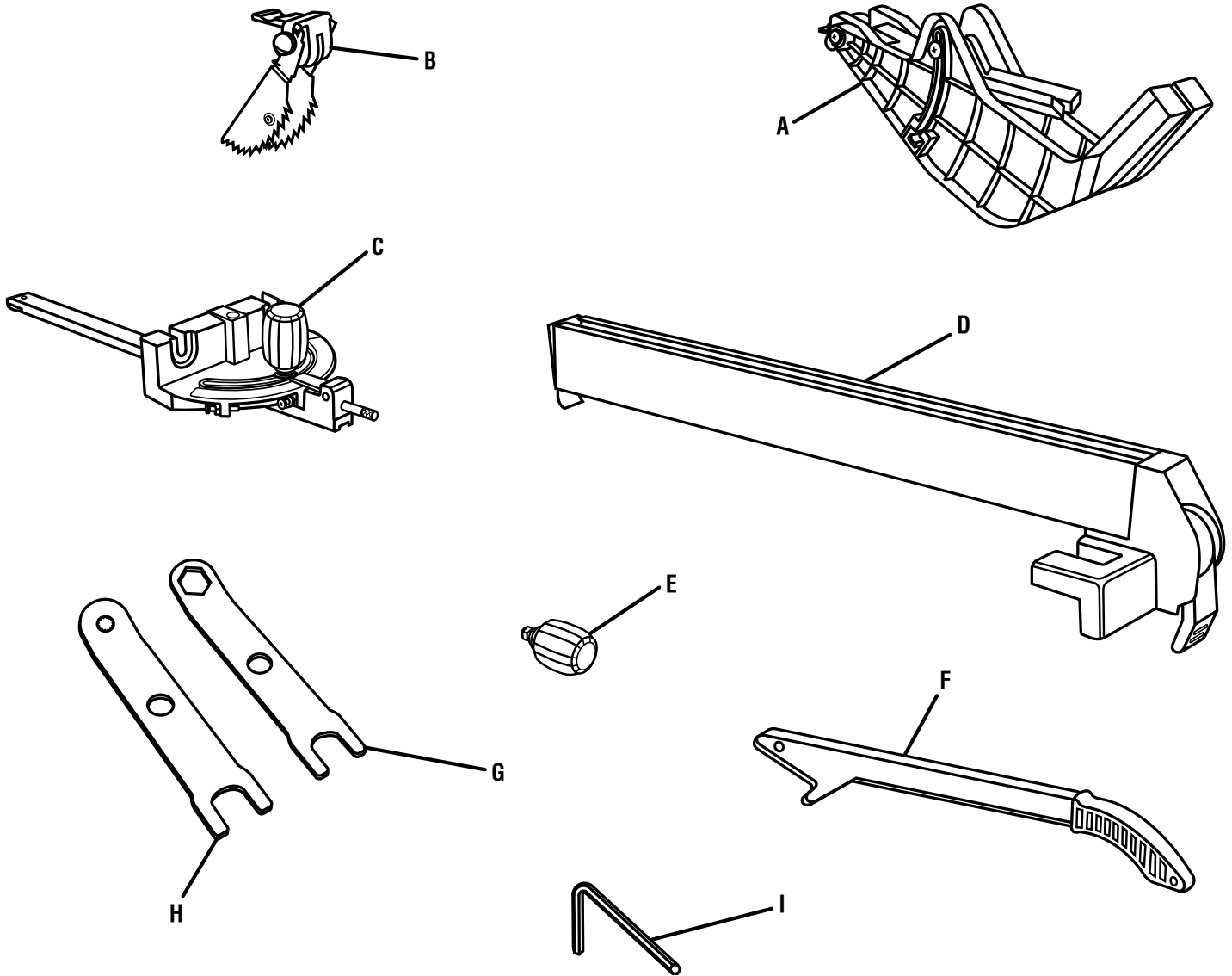


Fig. 5

A. Blade Guard.....	1	F. Push Stick.....	1
B. Anti-Kickback Pawls.....	1	G. Blade Wrench, large	1
C. Miter Gauge.....	1	H. Blade Wrench, small.....	1
D. Rip Fence.....	1	I. Hex Key, 5 mm	1
E. Handle Assembly.....	1		

ASSEMBLY

UNPACKING

This product requires assembly.

- Carefully lift the saw from the carton and place it on a level work surface.

WARNING:

Do not use this product if any parts on the Loose Parts List are already assembled to your product when you unpack it. Parts on this list are not assembled to the product by the manufacturer and require customer installation. Use of a product that may have been improperly assembled could result in serious personal injury.

-
- Inspect the tool carefully to make sure no breakage or damage occurred during shipping.
 - Do not discard the packing material until you have carefully inspected and satisfactorily operated the tool.

NOTE: Remove the foam block from between the saw's housing and the motor by first beveling the blade (see page 24).

- The saw is factory set for accurate cutting. After assembling it, check for accuracy. If shipping has influenced the settings, refer to specific procedures explained in this manual.
- If any parts are damaged or missing, please call 1-866-539-1710 for assistance.

WARNING:

If any parts are damaged or missing do not operate this tool until the parts are replaced. Use of this product with damaged or missing parts could result in serious personal injury.

WARNING:

Do not attempt to modify this tool or create accessories not recommended for use with this tool. Any such alteration or modification is misuse and could result in a hazardous condition leading to possible serious personal injury.

WARNING:

Do not connect to power supply until assembly is complete. Failure to comply could result in accidental starting and possible serious personal injury.

WARNING:

Do not lift the saw without help. Hold it close to your body. Keep your knees bent and lift with your legs, not your back. Ignoring these precautions can result in back injury.

WARNING:

Never stand directly in line with the blade or allow hands to come closer than 3 in. to the blade. Do not reach over or across the blade. Failure to heed this warning can result in serious personal injury.

ASSEMBLY

⚠ WARNING:

To avoid serious personal injury, always make sure the table saw is securely mounted to a workbench or an approved leg stand. NEVER operate the saw on the floor.

MOUNTING HOLES

The table saw must be mounted to a firm supporting surface such as a workbench or leg stand that positions the saw table at waist height. Four bolt holes have been provided in the saw's base for this purpose. Each of the four mounting holes should be bolted securely using 1/4 in. machine bolts, lock washers, and hex nuts (not included). Bolts should be of sufficient length to accommodate the saw base, lock washers, hex nuts, and the thickness of the workbench. Tighten all four bolts securely.

Carefully check the workbench after mounting to make sure that no movement can occur during use. If any tipping, sliding, or walking is noted, secure the workbench to the floor before operating.

TO STORE THE TABLE SAW ACCESSORIES

See Figures 6 - 7.

The table saw has two convenient storage areas (one on either side of the saw cabinet) specifically designed for the saw's accessories.

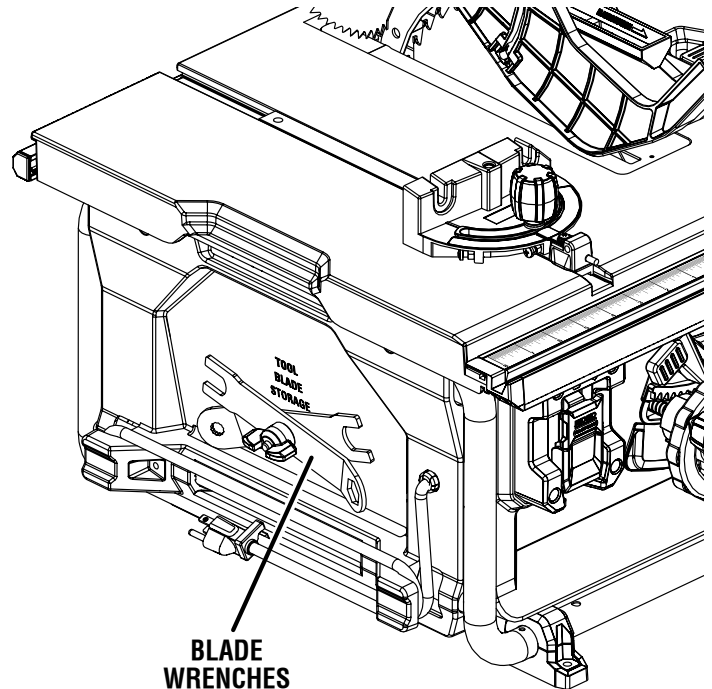


Fig. 6

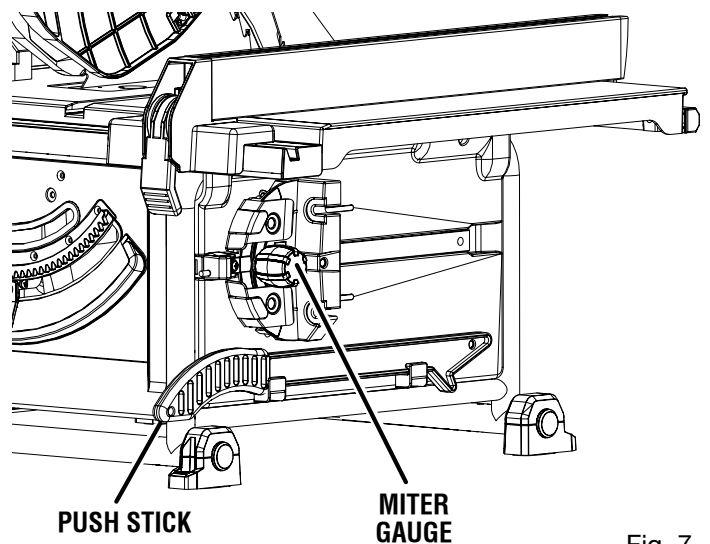


Fig. 7

ASSEMBLY

TO INSTALL THE HANDLE ASSEMBLY

See Figure 8.

- Lift the end cap off the handle assembly using a flat blade screwdriver.
- Hold the lock nut securely and turn the screw counter-clockwise to remove the nut completely.

NOTE: Do not remove the screw from the handle or the washer from the end of the screw.

- Place the lock nut into the recessed hole on the back of the height/bevel adjusting handwheel and hold in place.
- Slide the handle, screw, and washer into the hole on the height/bevel adjusting handwheel.
- Using a flathead screwdriver, turn the screw clockwise and tighten in place.
- Push the end cap back in place on the end of the handle.

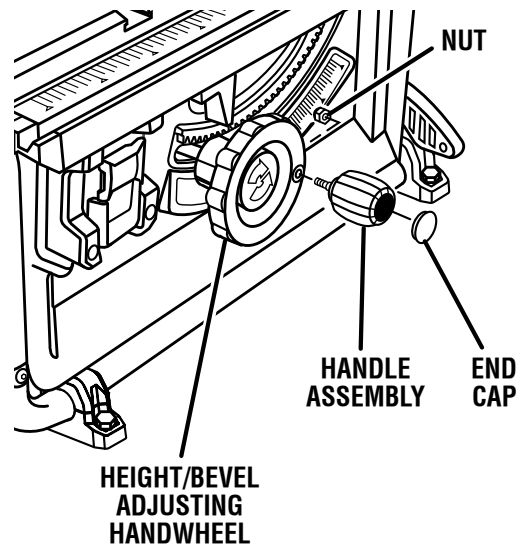


Fig. 8

TO REMOVE/REPLACE THE THROAT PLATE

See Figure 9.

WARNING:

The throat plate must be level with the saw table. If the throat plate is too high or too low, the workpiece can catch on the uneven edges resulting in binding or kickback which could result in serious personal injury. Verify the throat plate is correctly seated. If the throat plate is still not level, do not attempt to use the saw. Contact customer service for assistance.

- Lower the blade by turning the height/bevel adjusting handwheel clockwise.
- To remove the throat plate, place your index finger in the hole and lift the front end, pulling the throat plate out toward the front of the saw.
- To reinstall the throat plate, first slip the tab into the slot at the back of the saw and then push down to secure in place.

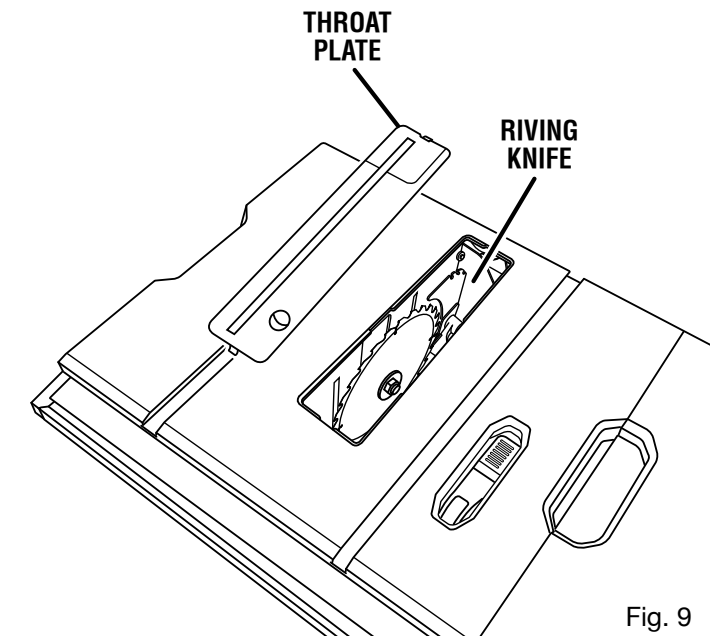


Fig. 9

ASSEMBLY

TO CHANGE RIVING KNIFE POSITIONS

See Figure 10.

This saw is shipped with a riving knife that should be placed in the “down” position for non-through cutting and must be placed in the “up” position for all other cutting operations.

⚠ CAUTION:

Use caution when reaching inside the throat in the saw table. Blade contact, even when the blade is still, may result in injury to hands or arms.

- Unplug the saw.

To place in the “up” position for all through cutting:

- Remove the throat plate.
- Raise the saw blade by turning the height/bevel adjusting handwheel counterclockwise.
- Unlock the release lever by pulling it up.
- Grasp the riving knife and pull it towards the right side of the saw to release the riving knife from the spring-loaded riving clamp.
- Pull the riving knife up until the internal pins are engaged and the riving knife is above the saw blade.
- Lock the release lever by pushing the lever down.

⚠ WARNING:

Make sure the release lever is fully seated. If the release lever is difficult to lock, thoroughly clean lever components using compressed air or a clean soft cloth. Failure to completely lock the release lever can allow the riving knife to change position during saw use, which could result in serious personal injury.

- Reinstall the throat plate.

To place in the “down” position for all non-through cutting:

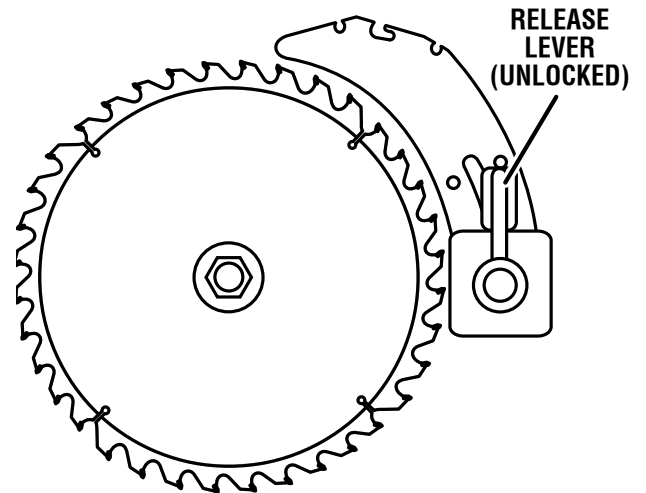
- Remove the throat plate.
- Raise the saw blade by turning the height/bevel adjusting handwheel counterclockwise.
- Unlock the release lever by pulling it up.
- Push the riving knife down until it is below the saw blade.
- Lock the release lever by pushing the lever down.
- Reinstall the throat plate.

TO CHECK SAW BLADE INSTALLATION

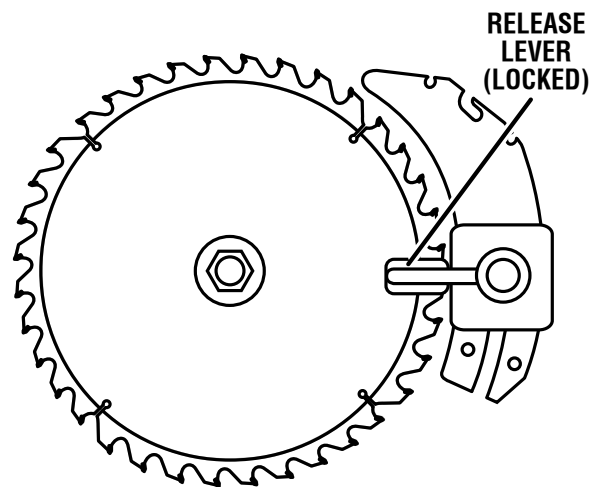
See Figure 11.

NOTICE:

To work properly, the saw blade teeth must point down toward the front of the saw. Failure to do so could cause damage to the saw blade, the saw, or the workpiece.



IN “UP” POSITION FOR THROUGH CUTTING



IN “DOWN” POSITION FOR NON-THROUGH CUTTING

Fig. 10

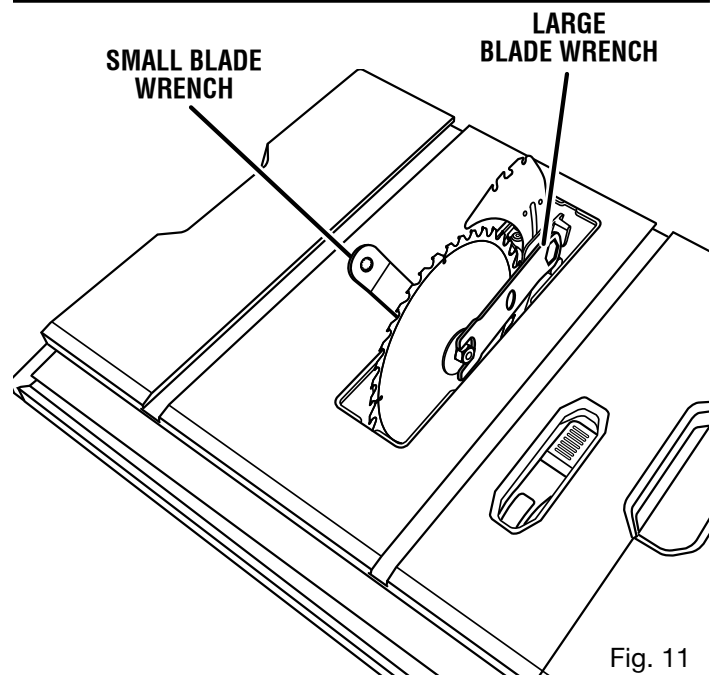


Fig. 11

ASSEMBLY

- Unplug the saw.
- Lower the saw blade by turning the height/bevel adjusting handwheel clockwise and remove the throat plate.
- Make sure the bevel locking lever is securely pushed to the left. Raise the saw blade to its full height by turning the height/bevel adjusting handwheel counterclockwise.
- Place riving knife in “up” position.

To loosen the blade:

- Using the smaller blade wrench, place the flat open end on the flats on the arbor shaft.
- Insert the closed end of the larger blade wrench over the hex nut. Holding both wrenches firmly, pull the larger wrench forward to the front of the machine.

To tighten the blade:

- Using the smaller blade wrench, place the flat open end into the flats on the arbor shaft.
- Insert the closed end of the larger blade wrench over the hex nut. Holding both wrenches firmly, push the larger wrench to the back of the machine. Make sure the blade nut is securely tightened. Do not overtighten.
- Reinstall the throat plate.

Check all clearances for free blade rotation. Refer to **To Check and Align the Riving Knife and Saw Blade**.

TO INSTALL THE ANTI-KICKBACK PAWLS AND BLADE GUARD

See Figures 12 - 14.

WARNING:

Always install the blade guard and anti-kickback pawls onto the riving knife in the “up” position to provide proper blade coverage. Installing the guarding components onto the riving knife in any other position will prevent them from working as designed, which could increase the risk of serious personal injury.

WARNING:

Replace dull or damaged anti-kickback pawls. Dull or damaged pawls may not stop a kickback increasing the risk of serious personal injury.

NOTE: Anti-kickback pawls should only be installed for through cuts.

- Unplug the saw.
- Raise the saw blade.
- Place riving knife in “up” position.

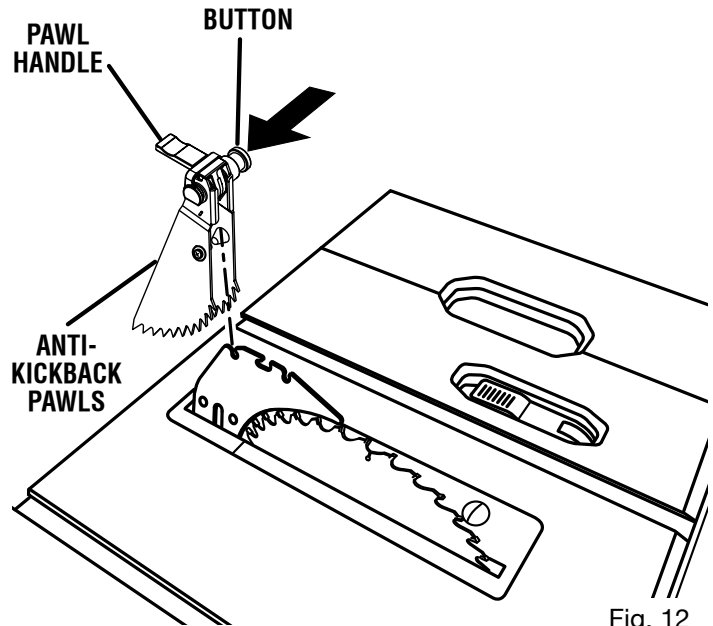


Fig. 12

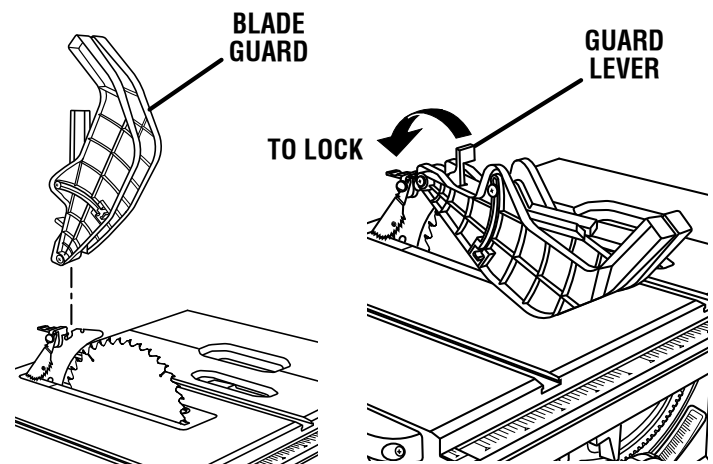
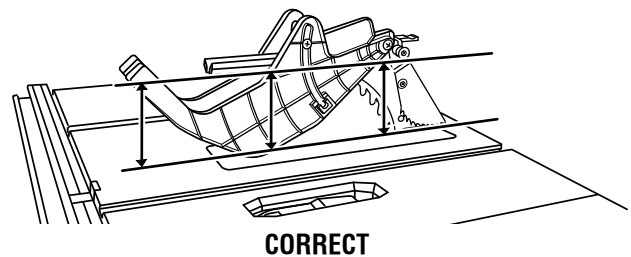
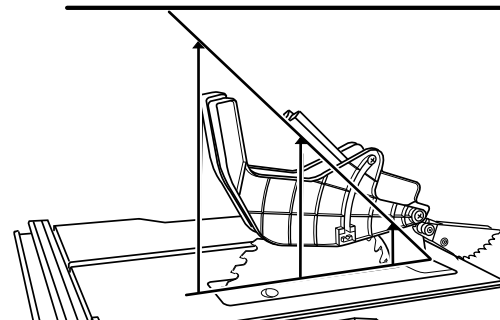


Fig. 13



CORRECT



INCORRECT

Fig. 14

ASSEMBLY

To install anti-kickback pawls:

- Press and hold the button on the right side of the anti-kickback pawls.
- Align the slot in the pawls over the rear notch in the riving knife.
- Push the pawl handle down snapping them into place and release the button.

NOTE: Pull on the handle to make sure pawls are securely locked.

To install blade guard:

- With the front of the blade guard raised and the guard lever unlocked, lower the back of the guard into the middle hole of the riving knife. Push the front of the guard down **until it is parallel to the table**. If the blade guard is not parallel to the table, the riving knife is not in the "up position."
- Lock the guard in place by pushing the lever down.

NOTE: Blade alignment with the riving knife can be adjusted for different blade widths. Refer to: **To Check and Align the Riving Knife and Saw Blade**. Check the blade guard assembly for clearances and free movement.

TO CHECK AND ALIGN THE RIVING KNIFE AND SAW BLADE

See Figure 15.

To check alignment of the riving knife:

- Unplug the saw.
- Raise the saw blade by turning the height/bevel adjusting handwheel counterclockwise.
- Remove the anti-kickback pawls and blade guard assembly. Place a framing square or straight edge against both the saw blade and the riving knife.

NOTE: Place framing square between carbide teeth and measure from blade. This step will insure framing square is square against blade from the front to back of blade.

- The saw blade and riving knife are aligned when the framing square contacts both the blade and riving knife evenly with no gaps.

To adjust (horizontally and vertically):

- Remove the anti-kickback pawls and blade guard assembly.
- From the back of the saw, loosen the adjustment screws holding the mounting bracket.
- Reposition the riving knife left or right as needed to align the riving knife with the saw blade.
- Once properly aligned, securely retighten all screws.
- Check again for squareness and continue to adjust if needed.

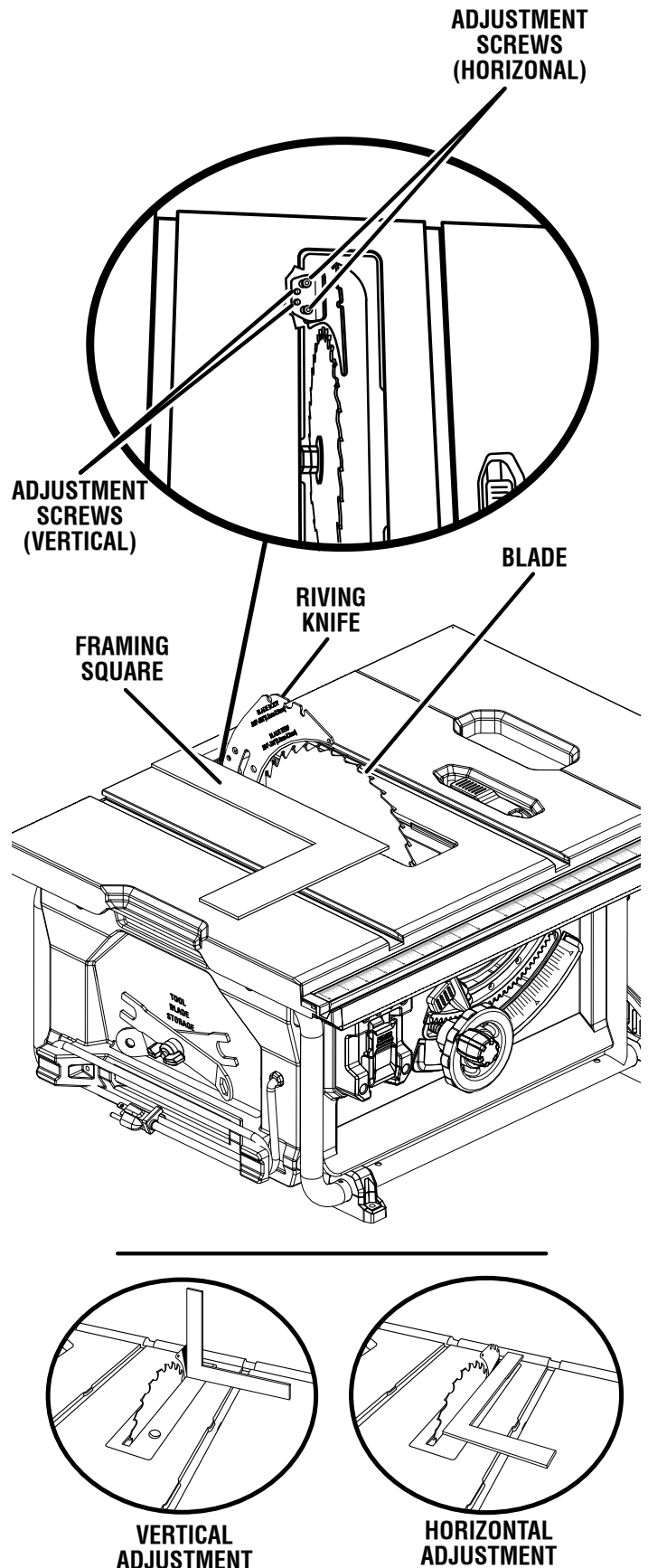


Fig. 15

OPERATION

WARNING:

Do not allow familiarity with tools to make you careless. Remember that a careless fraction of a second is sufficient to inflict serious injury.

WARNING:

Always wear eye protection with side shields marked to comply with ANSI Z87.1. Failure to do so could result in objects being thrown into your eyes, resulting in possible serious injury.

WARNING:

Do not use any attachments or accessories not recommended by the manufacturer of this tool. The use of attachments or accessories not recommended can result in serious personal injury.

WARNING:

Although many of the illustrations in this manual are shown with the blade guard removed for clarity, do not operate the saw without the blade guard unless specifically instructed to do so.

WARNING:

The table saw must be mounted to a firm supporting, waist high surface such as a workbench or leg stand. Many illustrations in this manual are shown with the saw unmounted for clarity.

APPLICATIONS

You may use this tool for the purposes listed below:

- Straight line cutting operations such as cross cutting, ripping, mitering, beveling, and compound cutting
- Dado or molding cuts with optional accessories
- Cabinet making and woodworking

NOTE: This table saw is designed to cut wood and wood composition products only.

BASIC OPERATION OF THE TABLE SAW

The 3-prong plug must be plugged into a matching outlet that is properly installed and grounded according to all local codes and ordinances. Improper connection of the equipment can result in electric shock. Do not modify the plug if it will not fit the outlet. Have the correct outlet installed by a qualified electrician. Refer to the *Electrical* section in this manual.

CAUSES OF KICKBACK

Kickback can occur when the blade stalls or binds, kicking the workpiece back toward you with great force and speed. If your hands are near the saw blade, they may be jerked loose from the workpiece and may contact the blade. Kickback can cause serious injury. Use precautions to avoid the risks.

Kickback can be caused by any action that pinches the blade in the wood such as:

- Making a cut with incorrect blade depth
- Sawing into knots or nails in the workpiece
- Twisting the wood while making a cut
- Failing to support work
- Forcing a cut
- Cutting warped or wet lumber
- Using the wrong blade for the type of cut
- Not following correct operating procedures
- Misusing the saw
- Failing to use the anti-kickback pawls
- Cutting with a dull, gummed-up, or improperly set blade

AVOIDING KICKBACK

- Always use the correct blade depth setting. The top of the blade teeth should clear the workpiece by 1/8 in. to 1/4 in.
- Inspect the work for knots or nails before beginning a cut. Knock out any loose knots with a hammer. Never saw into a loose knot or nail.
- Always use the rip fence when rip cutting and the miter gauge when cross cutting. This helps prevent twisting the wood in the cut.
- Always use clean, sharp, and properly-set blades. Never make cuts with dull blades.
- To avoid pinching the blade, support the work properly before beginning a cut.
- When making a cut, use steady, even pressure. Never force cuts.
- Do not cut wet or warped lumber.
- Use extra caution when cutting some prefinished or composition wood products as the anti-kickback pawls may not always be effective.
- Always guide your workpiece with both hands or with push sticks and/or push blocks. Keep your body in a balanced position to be ready to resist kickback should it occur. Never stand directly in line with the blade.
- Use of a featherboard will help hold the workpiece securely against the saw table or fence.
- Clean the saw, blade guard, under the throat plate, and any areas where sawdust or scrap workpieces may gather.
- Use the right type of blade for the cut being made.
- Always use the riving knife for every operation where it is allowed. The use of this device will greatly reduce the risk of kickback.

OPERATION

CUTTING AIDS

See Figure 16.

Push sticks are devices that may be used for pushing a workpiece through the blade in any rip cut. When making non-through cuts or ripping narrow stock, always use a push stick, push block, and/or featherboard so your hands do not come within 3 inches of the saw blade. They can be made in various sizes and shapes from scrap wood and used in a specific project. The stick must be narrower than the workpiece, with a 90° notch in one end and shaping for a grip on the other end.

A push block has a handle fastened by recessed screws from the underside. Use push blocks for narrow cuts and all non-through cuts.

CAUTION:

Be sure the screws in a push block are recessed to avoid damaging the saw or workpiece.

HOW TO MAKE A JIG (FOR RIP CUTTING NARROW WORKPIECE)

See Figure 17.

If ripping a narrow workpiece places the hands too close to the blade, it will be necessary to make and use a jig.

To make a jig:

- Attach a handle to a long, straight piece of wood and secure from the underside using recessed screws.
- Cut an L-shaped stop in the side of the jig.

To use a jig:

- Position the workpiece flat on the table with the edge flush against the jig and against the stop.
- Holding the jig handle and using a push block and/or push stick, make the rip cut as described later in this section.

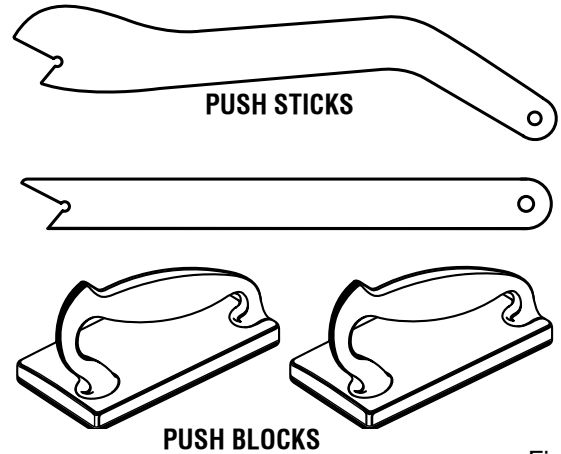


Fig. 16

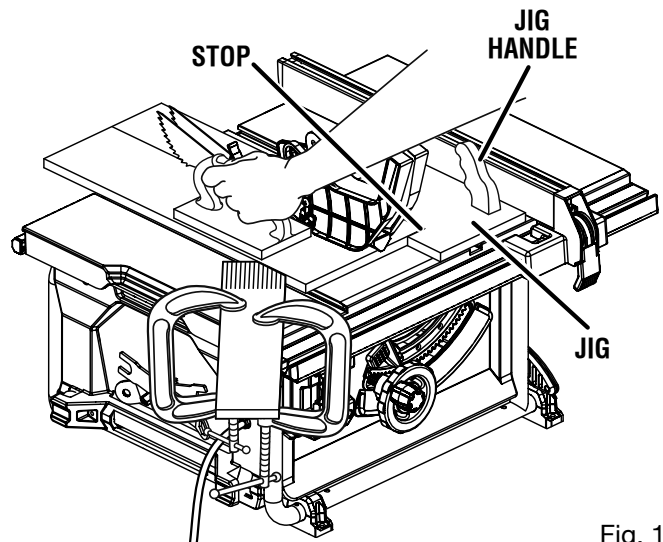


Fig. 17

OPERATION

FEATHERBOARD

A featherboard is a device used to help control the workpiece by holding it securely against the table or fence. Featherboards are especially useful when ripping small workpieces and for completing non-through cuts. The end is angled with a number of short kerfs to give a friction hold on the workpiece and locked in place on the table with a C-clamp. Test that it can resist kickback.

WARNING:

Place the featherboard against the uncut portion of the workpiece to avoid kickback that could cause serious personal injury.

HOW TO MAKE A FEATHERBOARD

See Figure 18.

The featherboard is an excellent project for your saw. Select a solid piece of lumber approximately 3/4 in. thick, 3-5/8 in. wide and 18 in. long. Mark the center of the width on one end of the stock. Miter one-half of the width to 30° and miter the other half of the same end to 45° (see page 31 for information on miter cuts). Mark the board from the point at 6 in., 8 in., 10 in. and 12 in. Drill a 3/8 in. hole at the 8 in., 10 in., and 12 in. marks.

Prepare the saw for ripping as discussed on page 28. Set the rip fence to allow approximately a 1/4 in. “finger” to be cut in the stock. Feed the stock only to the mark previously made at 6 in. Turn the saw off and allow the blade to completely stop rotating before removing the stock. Reset the rip fence and cut spaced rips into the workpiece to allow approximately 1/4 in. fingers and 1/8 in. spaces between the fingers.

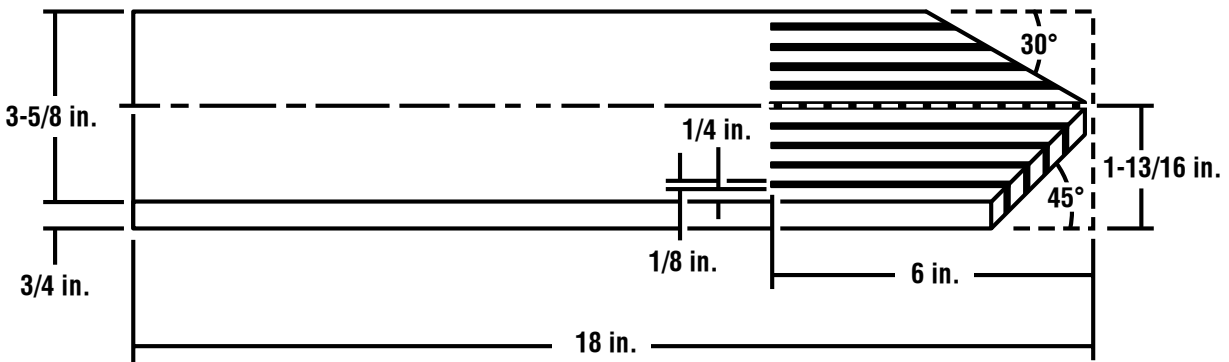


Fig. 18

HOW TO MOUNT A FEATHERBOARD

See Figure 19.

Completely lower the saw blade. Position the rip fence to the desired adjustment for the cut to be performed and lock the rip fence. Place the workpiece against the fence and over the saw blade area. Adjust the featherboard to apply resistance to the workpiece just forward of the blade. Attach C-clamps to secure the featherboard to the edge of the saw table.

WARNING:

The featherboard must be installed in front of the blade. **Do not** locate the featherboard to the rear of the blade. Kickback can result from the featherboard pinching the workpiece and binding the blade in the saw kerf if positioned improperly. Failure to heed this warning can result in serious personal injury.

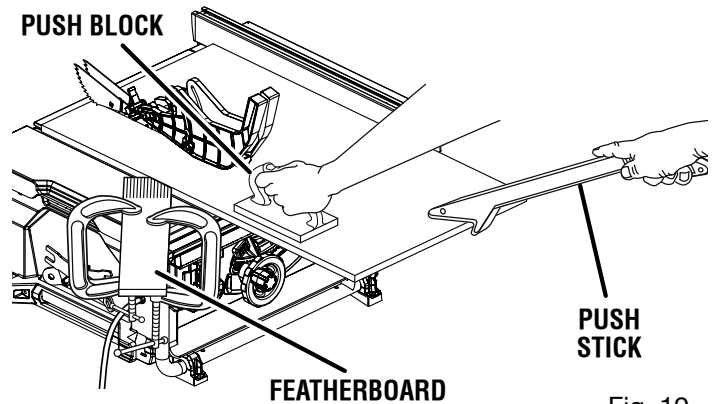


Fig. 19

OPERATION

TYPES OF CUTS

See Figure 20.

There are six basic cuts: 1) the cross cut, 2) the rip cut, 3) the miter cut, 4) the bevel cross cut, 5) the bevel rip cut, and 6) the compound (bevel) miter cut. All other cuts are combinations of these basic six. Operating procedures for making each kind of cut are given later in this section.

WARNING:

Always make sure the blade guard and anti-kickback pawls are in place and working properly when making these cuts to avoid possible injury.

Cross cuts are straight 90° cuts made across the grain of the workpiece. The wood is fed into the cut at a 90° angle to the blade, and the blade is vertical.

Rip cuts are made with the grain of the wood. To avoid kickback while making a rip cut, make sure one side of the wood rides firmly against the rip fence.

Miter cuts are made with the wood at any angle to the blade other than 90°. The blade is vertical. Miter cuts tend to “creep” during cutting. This can be controlled by holding the workpiece securely against the miter gauge.

WARNING:

Always use a push stick with small pieces of wood, and also to finish the cut when ripping a long narrow piece of wood, to prevent your hands from getting close to the blade.

Bevel cuts are made with an angled blade. Bevel cross cuts are across the wood grain, and bevel rip cuts are with the grain. The rip fence must always be on the right side of the blade for bevel rip cuts.

Compound (or bevel) miter cuts are made with an angled blade on wood that is angled to the blade. Be thoroughly familiar with making cross cuts, rip cuts, bevel cuts, and miter cuts before trying a compound miter cut.

CUTTING TIPS

Dado and rabbet cuts are non-through cuts which can be either rip cuts or cross cuts. Carefully read and understand all sections of this operator’s manual before attempting any operation.

WARNING:

Do not use blades rated less than the speed of this tool. Failure to heed this warning could result in personal injury.

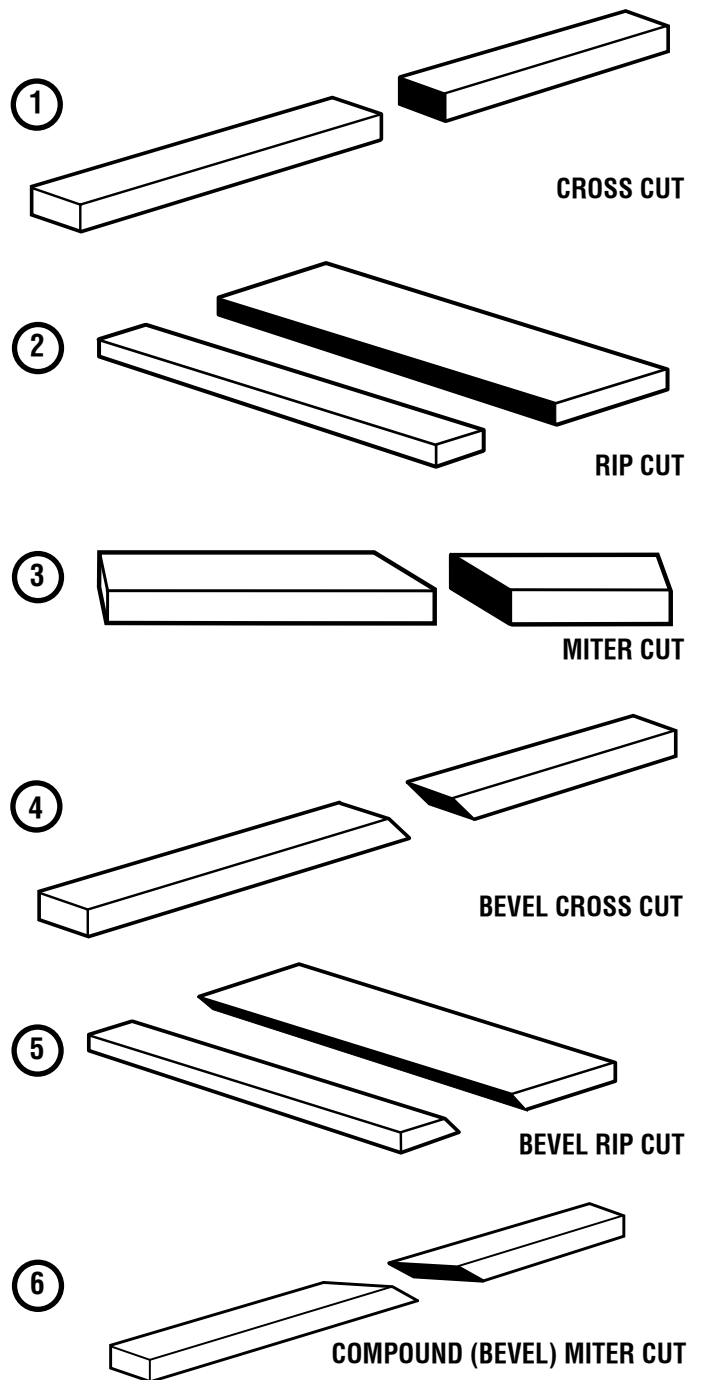


Fig. 20

- The kerf (the cut made by the blade in the wood) will be wider than the blade to avoid overheating or binding. Make allowance for the kerf when measuring wood.
- Make sure the kerf is made on the waste side of the measuring line.
- Cut the wood with the finish side up.
- Knock out any loose knots with a hammer before making the cut.
- Always provide proper support for the wood as it comes out of the saw.

OPERATION

TO CHANGE BLADE DEPTH

See Figure 21.

The blade depth should be set so the outer points of the blade are higher than the workpiece by approximately 1/8 in. to 1/4 in. but the lowest points (gullets) are below the top surface.

- Raise the blade by turning the height/bevel adjusting handwheel counterclockwise.
- Lower the blade by turning the handwheel clockwise.

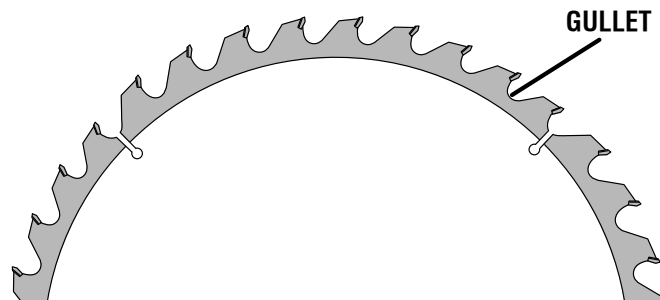


Fig. 21

TO CHANGE BLADE ANGLE (BEVEL)

See Figure 22.

NOTE: A 90° cut has a 0° bevel and a 45° cut has a 45° bevel.

- Unplug the saw.
- Unlock the bevel locking lever by pushing the lever to the right.
- Adjust the bevel angle by pushing the wheel in toward the saw then turning it. Turning the wheel counterclockwise increases the angle of the blade, bringing it closer to 45°. Turning it clockwise decreases the angle, bringing the blade closer to 90°.
- Lock the bevel locking lever by pushing the lever to the left.

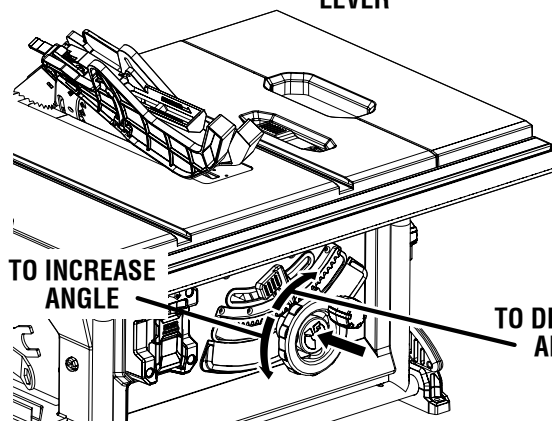
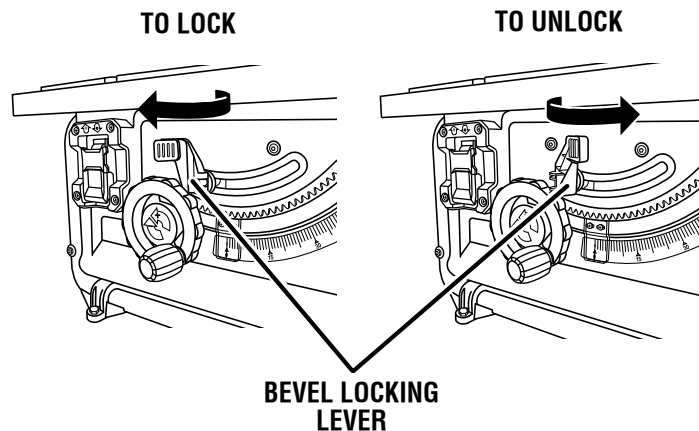


Fig. 22

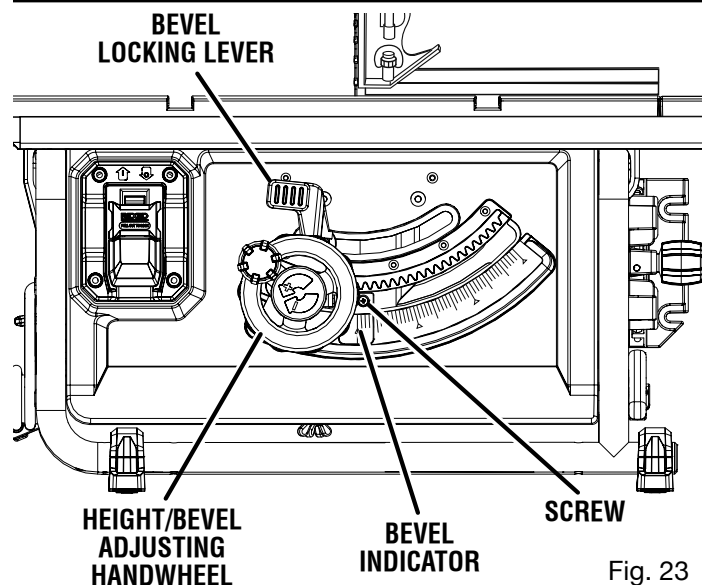


Fig. 23

TO ADJUST THE BEVEL INDICATOR

See Figure 23.

If the bevel indicator is not at zero when the saw blade is at 0°, adjust the indicator by loosening the screw and setting it at 0° on the bevel scale. Retighten the screw.

OPERATION

WARNING:

To reduce the risk of injury, always make sure the rip fence is parallel to the blade before beginning any operation.

TO SET THE RIP FENCE SCALE INDICATOR TO THE BLADE

See Figure 24.

Use the indicator on the rip fence to position the fence along the scale on the front rail.

NOTE: The anti-kickback pawls and blade guard assembly must be removed to perform this adjustment. Reinstall the blade guard assembly when the adjustment is complete.

Begin with the blade at a zero angle (straight up).

- Unplug the saw.
- Loosen the rip fence by lifting the locking lever.
- Using a framing square, set the rip fence 2 in. from the blade tip edge, then relock the lever.
- Loosen the screw on the scale indicator and align with the 2 in. mark as shown.
- Tighten the screw and check the dimension and the rip fence.

TO USE THE RIP FENCE

See Figure 25.

- Loosen the rip fence by lifting the locking lever.
- Place the rear lip on the rear of the saw table and pull slightly toward the front of the unit.
- Lower the front end of the rip fence onto the guide surfaces on top of the front rail.
- Check for smooth gliding action.
- Position the rip fence the desired distance from the blade.
- With the rip fence flat on the saw table, push the fence towards the front rail to align the fence to the miter gauge groove.
- Push the locking lever down to align and secure the fence. When securely locked, the locking lever should point downward.

Check for a smooth gliding action. If adjustments are needed, see **To Check the Alignment of the Rip Fence to the Blade** in the *Adjustment* section of this manual.

TO USE THE MITER GAUGE

See Figure 26.

The miter gauge provides accuracy in angled cuts. For very close tolerances, test cuts are recommended.

There are two miter gauge channels, one on either side of the blade. When making a 90° cross cut, you can use either miter gauge channel. When making a beveled cross cut (the blade tilted in relation to the table) the miter gauge should be located in the slot on the right so that the blade is tilted away from the miter gauge and your hands.

The miter gauge can be turned 60° to the right or left.

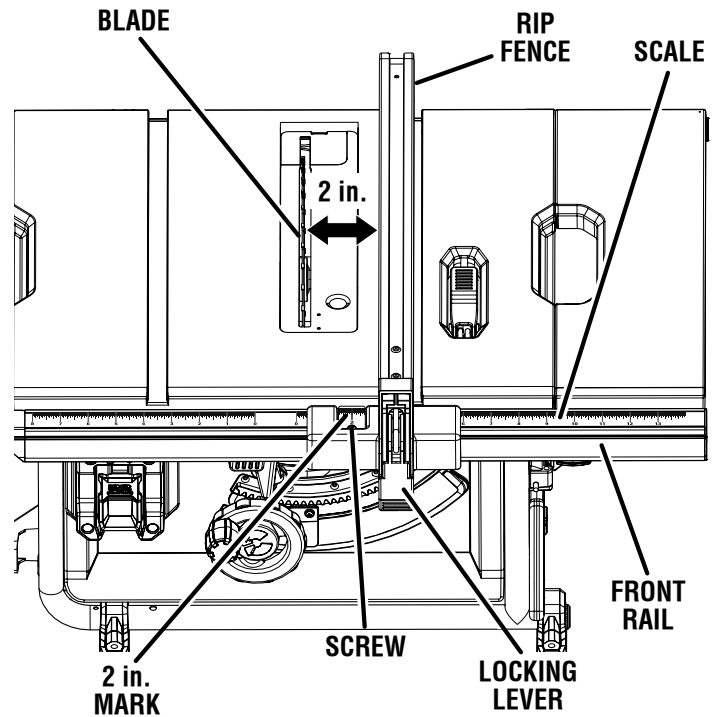


Fig. 24

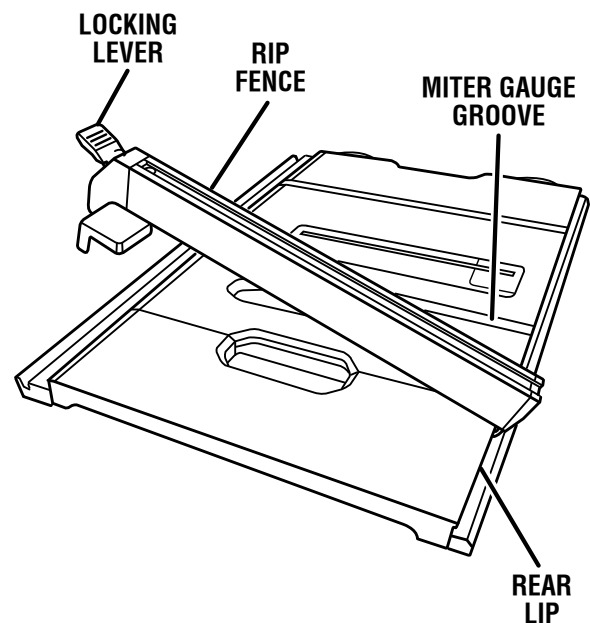


Fig. 25

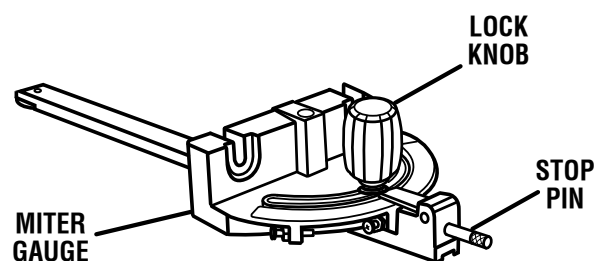


Fig. 26

OPERATION

- Slide the miter gauge in the miter gauge slot.
- Loosen the lock knob by turning it counterclockwise.
- Pull out the stop pin and rotate the gauge until the desired angle is reached on the scale.
- Retighten the lock knob by turning it clockwise.

TO USE THE SLIDING TABLE EXTENSION

See Figure 27.

Increase the length of the saw table by using the table extension.

- Lock the rip fence on the sliding table extension at 13 in.

WARNING:

The rip fence must be locked in the 13 in. position to ensure the accuracy of the secondary scale measurement and to provide proper support of the workpiece when using the table in the extended position. Failure to position the rip fence correctly will cause inaccurate workpiece measurements and could result in serious personal injury.

- Unlock the sliding table extension by lifting the table extension lock lever.

- Slide the table extension to the desired width.

NOTE: Use the secondary scale on the front rail when a specific width is desired.

- Once the extension table is set to the desired width, relock the lever by pushing the lever back towards the saw base.

ADJUSTING THE BLADE PARALLEL TO THE MITER GAUGE GROOVE (REMOVING HEEL)

See Figures 28 - 30.

WARNING:

The blade must be made parallel to the miter gauge groove so the wood does not bind resulting in kickback. Failure to do so could result in serious personal injury.

Do not loosen any bolts for this adjustment until you have checked with a square and made test cuts to be sure adjustments are necessary. Once the bolts are loosened, these items must be reset.

- Unplug the saw.
- Remove the blade guard, riving knife, and anti-kickback pawls. Raise the blade by turning the height/bevel adjusting handwheel.
- Mark beside one of the blade teeth at the front of the blade. Using a ruler, measure the distance from the inside face of the blade tooth to the left edge of the right miter gauge groove.

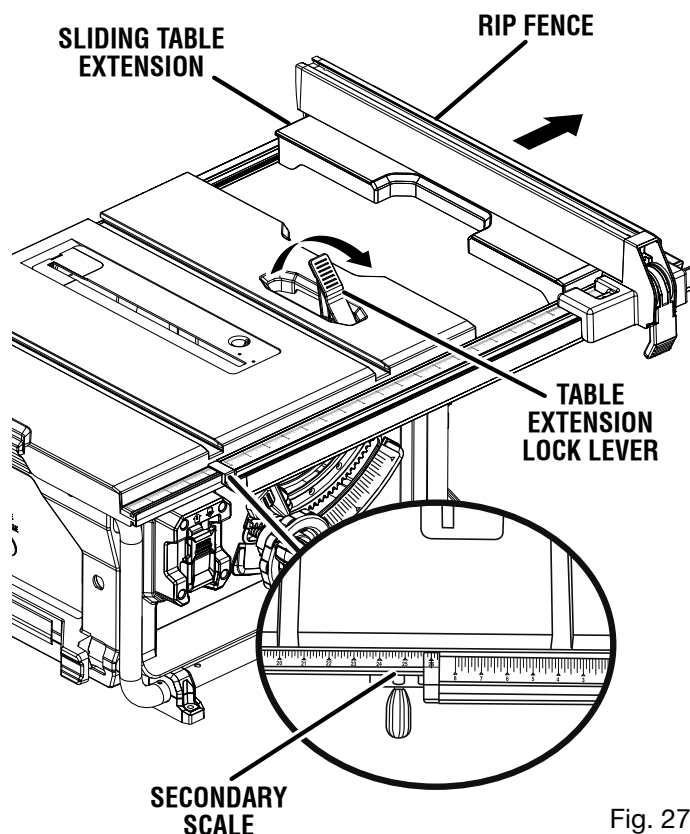


Fig. 27

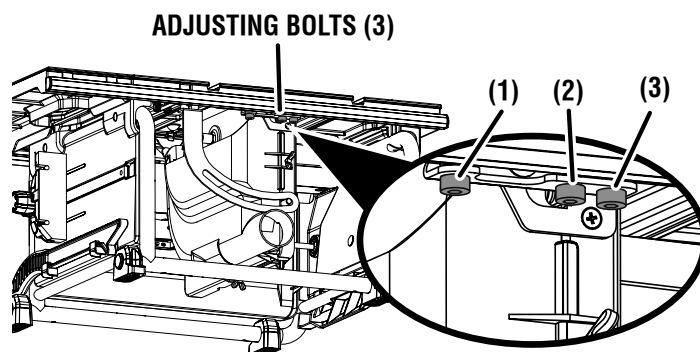


Fig. 28

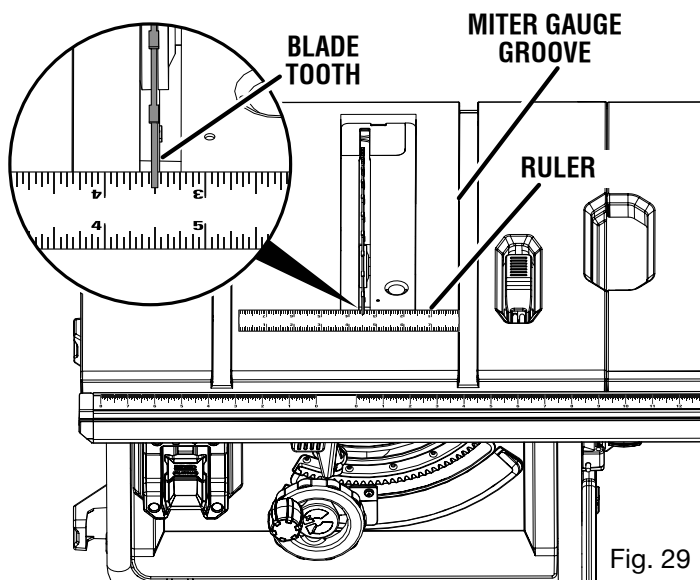


Fig. 29

OPERATION

NOTE: For greater accuracy, place the marked blade tooth on top of the ruler.

- Turn the blade so the marked tooth is at the back.
- Move the ruler to the rear and again measure the distance from the inside face of the blade tooth to the left edge of the right miter gauge groove. If the distances are the same, the blade and the miter gauge groove are parallel.
- Replace blade guard, riving knife, and anti-kickback pawls.

If the distances are different:

- Remove the blade guard, riving knife, and anti-kickback pawls. Raise the blade by turning the height/bevel adjusting handwheel.
- Loosen adjusting bolts (1) and (3).

NOTE: The adjusting bolts are located under the saw table in the back of the saw.

- Turn adjusting bolt (2) left or right until the blade is parallel to the miter gauge slot.
- Retighten adjusting bolts (1) and (3).
- Check distances again and continue to adjust if needed.
- Replace blade guard, riving knife, and anti-kickback pawls.

WARNING:

To reduce the risk of injury from kickback, align the rip fence to the blade following any blade adjustments. Always make sure the rip fence is parallel to the blade before beginning any operation.

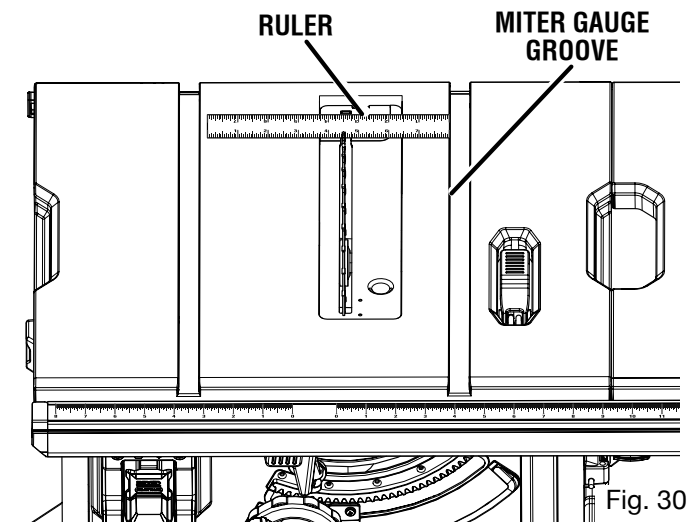
MAKING CUTS

This table saw can perform a variety of cuts that are not all mentioned in this manual. DO NOT attempt to make any cuts not covered here unless you are thoroughly familiar with the proper procedures and necessary accessories. Your local library has many books on table saw usage and specialized woodworking procedures for your reference.

The blade provided with your saw is a high-quality combination blade suitable for ripping and cross cut operations. Carefully check all setups and rotate the blade one full revolution to assure proper clearance before connecting saw to power source. Stand slightly to the side of the blade path to reduce the chance of injury should kickback occur.

WARNING:

Do not use blades rated less than the speed of this tool. Failure to heed this warning could result in personal injury.



CROSS CUT

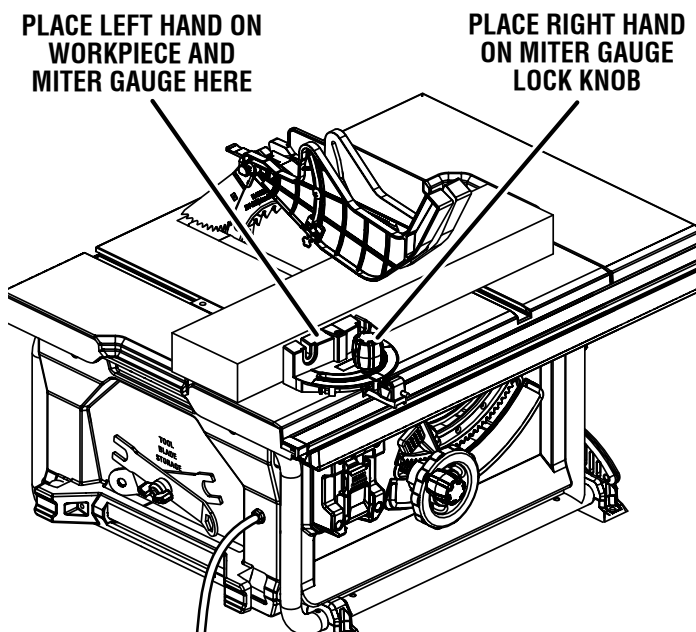


Fig. 31

Use the miter gauge when making cross, miter, bevel, and compound miter cuts. To secure the angle, lock the miter gauge in place by twisting the lock knob clockwise. Always tighten the lock knob securely in place before use.

NOTE: It is recommended that you place the piece to be saved on the same side of the blade as the miter gauge, and that you make a test cut on scrap wood first.

MAKING A CROSS CUT

See Figures 31 - 32.

WARNING:

Make sure the blade guard assembly is installed and working properly to avoid serious possible injury.

OPERATION

WARNING:

Using the rip fence as a cutoff gauge when cross cutting will result in kickback which can cause serious personal injury.

- Remove the rip fence.
- Set the blade to the correct depth for the workpiece.
- Set the miter gauge to 0° and tighten the lock knob.
- Make sure the wood is clear of the blade before turning on the saw.
- To turn the saw on, lift the switch button.
- To turn saw off, press the switch button down.

NOTE: To prevent unauthorized use, remove the switch key as shown in figure 32.

- Let the blade build up to full speed before moving the workpiece into the blade.
- Hold the workpiece firmly with both hands on the miter gauge and feed the workpiece into the blade.

NOTE: The hand closest to the blade should be placed on the miter gauge lock knob and the hand farthest from the blade should be placed on the workpiece.

- When the cut is made, turn the saw off. Wait for the blade to come to a complete stop before removing the workpiece.

MAKING A RIP CUT

See Figure 33

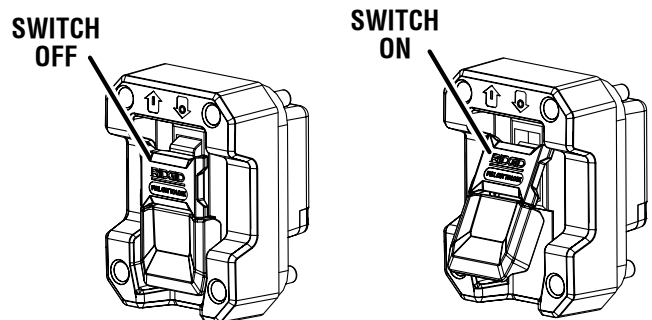
WARNING:

Make sure the blade guard assembly is installed and working properly to avoid serious possible injury.

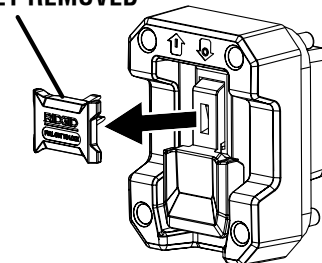
WARNING:

Taper cuts must only be made with a special jig, which is commercially available. Do not attempt a freehand taper cut on this saw. Failure to follow these instructions could result in serious personal injury.

- Set the blade to the correct depth for the workpiece.
- Position the rip fence the desired distance from the blade for the cut and securely lock the handle.
- When ripping a long workpiece, place a support the same height as the table surface behind the saw for the cut work.
- Install feather board in the appropriate position for the cut being made.
- Make sure the wood is clear of the blade before turning on the saw.
- Turn the saw on.



SWITCH KEY REMOVED



SWITCH IN LOCKED POSITION

Fig. 32

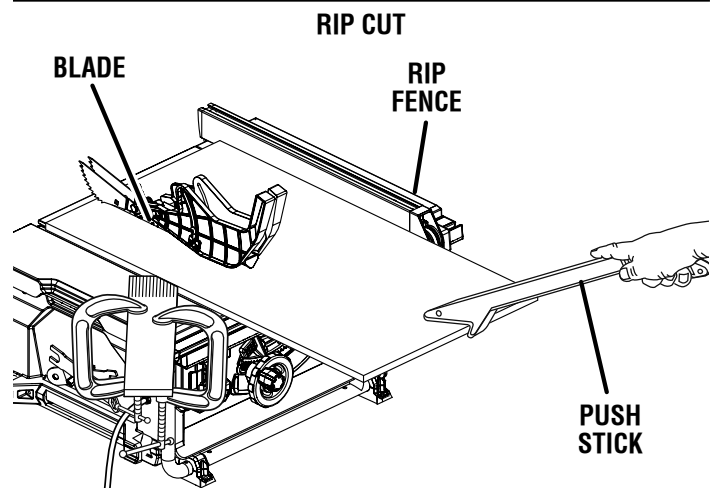


Fig. 33

- Position the workpiece flat on the table with the edge flush against the rip fence. Let the blade build up to full speed before feeding the workpiece into the blade.
- Using a push stick and/or push blocks, slowly feed the workpiece toward the blade. Stand slightly to the side of the wood as it contacts the blade to reduce the chance of injury should kickback occur.
- Once the blade has made contact with the workpiece, use the hand closest to the rip fence to guide it. Make sure the edge of the workpiece remains in solid contact with both the rip fence and the surface of the table. If ripping a narrow piece, use a push stick and/or push blocks to move the piece through the cut and past the blade.
- When the cut is made, turn the saw off. Wait for the blade to come to a complete stop before removing the workpiece.

OPERATION

MAKING A MITER CUT

See Figure 34.

WARNING:

Make sure the blade guard assembly is installed and working properly to avoid possible serious injury.

- Set the blade to the correct depth for the workpiece.
- Remove the rip fence.
- Set the miter gauge to the desired angle and tighten the lock knob.
- Make sure the wood is clear of the blade before turning on the saw.
- Turn the saw on.
- Let the blade build up to full speed before moving the workpiece into the blade.
- Hold the workpiece firmly with both hands on the miter gauge and feed the workpiece into the blade.

NOTE: The hand closest to the blade should be placed on the miter gauge lock knob and the hand farthest from the blade should be placed on the workpiece.

- When the cut is made, turn the saw off. Wait for the blade to come to a complete stop before removing the workpiece.

MAKING A BEVEL CROSS CUT

See Figures 35 - 36.

WARNING:

Make sure the blade guard assembly is installed and working properly to avoid possible serious injury.

WARNING:

The miter gauge must be on the right side of the blade to avoid trapping the wood and causing kickback. Placement of the miter gauge to the left of the blade will result in kickback and the risk of serious personal injury.

- Remove the rip fence.
- Unlock the bevel locking lever.
- Adjust the bevel angle to the desired setting.
- Lock the bevel locking lever.
- Set the blade to the correct depth for the workpiece.
- Set the miter gauge to 0° and tighten the lock knob.
- Make sure the wood is clear of the blade before turning on the saw.
- Turn the saw on.

MITER CUT

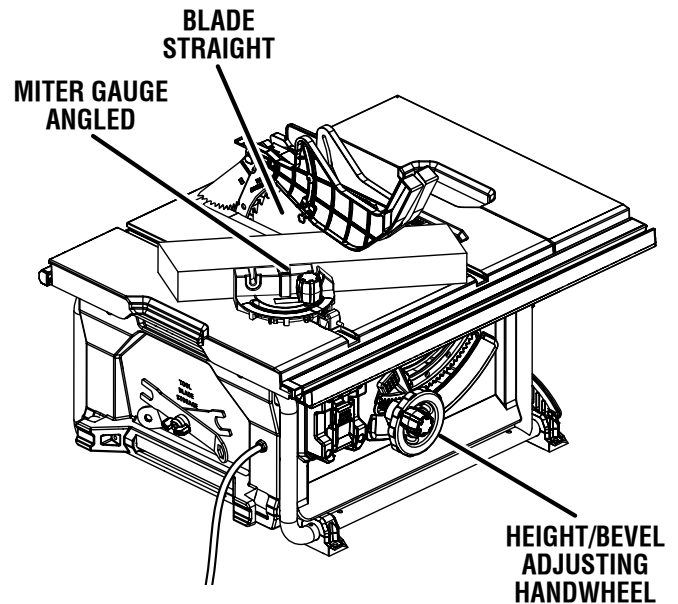


Fig. 34

VIEWED FROM THE FRONT, BELOW THE TABLE SAW

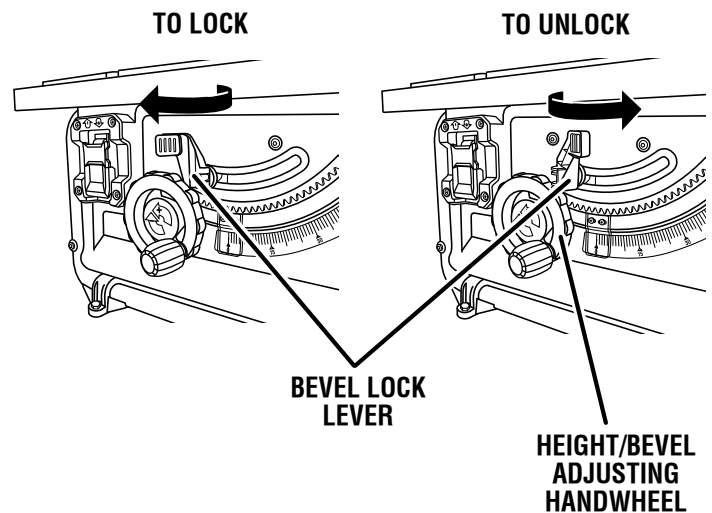


Fig. 35

- Let the blade build up to full speed before moving the workpiece into the blade.
- Hold the workpiece firmly with both hands on the miter gauge and feed the workpiece into the blade.
- NOTE:** The hand closest to the blade should be placed on the miter gauge lock knob and the hand farthest from the blade should be placed on the workpiece.
- When the cut is made, turn the saw off. Wait for the blade to come to a complete stop before removing the workpiece.

OPERATION

MAKING A BEVEL RIP CUT

See Figure 37.

WARNING:

Make sure the blade guard assembly is installed and working properly to avoid serious personal injury.

WARNING:

The rip fence must be on the right side of the blade to avoid trapping the wood and causing kickback. Placement of the rip fence to the left of the blade will result in kickback and the risk of serious personal injury.

- Remove the miter gauge.
- Install feather board in the appropriate position for the cut being made.
- Unlock the bevel locking lever.
- Adjust the bevel angle to the desired setting.
- Lock the bevel locking lever.
- Set the blade to the correct depth for the workpiece.
- Position the rip fence the desired distance from the blade for the cut and securely lock the handle.
- When ripping a long workpiece, place a support the same height as the table surface behind the saw for the cut work.
- Turn the saw on.
- Position the workpiece flat on the table with the edge flush against the rip fence. Let the blade build up to full speed before feeding the workpiece into the blade.
- Using a push stick and/or push blocks, slowly feed the workpiece toward the blade. Stand slightly to the side of the wood as it contacts the blade to reduce the chance of injury should kickback occur.
- Once the blade has made contact with the workpiece, use the hand closest to the rip fence to guide it. Make sure the edge of the workpiece remains in solid contact with both the rip fence and the surface of the table. If ripping a narrow piece, use a push stick and/or push blocks to move the piece through the cut and past the blade.
- When the cut is made, turn the saw off. Wait for the blade to come to a complete stop before removing the workpiece.

BEVEL CROSS CUT

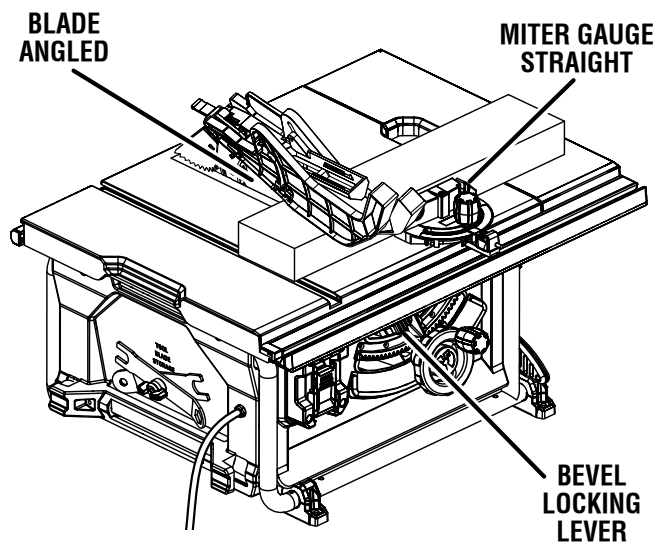


Fig. 36

BEVEL RIP CUT

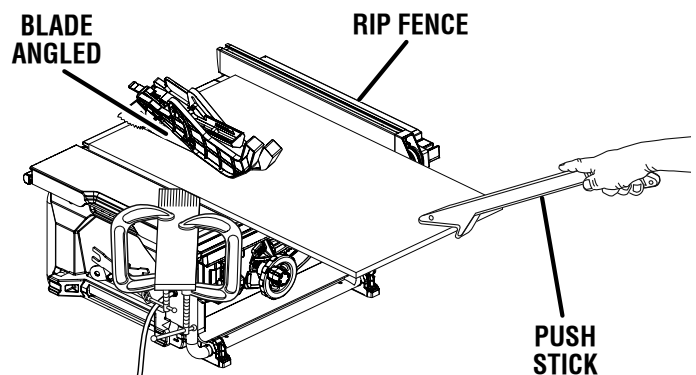


Fig. 37

OPERATION

MAKING A COMPOUND (BEVEL) MITER CUT

See Figure 38.

WARNING:

Make sure the blade guard assembly is installed and working properly to avoid possible serious injury.

WARNING:

The miter gauge must be on the right side of the blade to avoid trapping the wood and causing kickback. Placement of the miter gauge to the left of the blade will result in kickback and the risk of serious personal injury.

- Remove the rip fence.
- Unlock the bevel locking lever.
- Adjust the bevel angle to the desired setting.
- Lock the bevel locking lever.
- Set the blade to the correct depth for the workpiece.
- Set the miter gauge to the desired angle and tighten the lock knob.
- Make sure the wood is clear of the blade before turning on the saw.
- Turn the saw on.
- Let the blade build up to full speed before moving the workpiece into the blade.
- Hold the workpiece firmly with both hands on the miter gauge and feed the workpiece into the blade.

NOTE: The hand closest to the blade should be placed on the miter gauge lock knob and the hand farthest from the blade should be placed on the workpiece.

- When the cut is made, turn the saw off. Wait for the blade to come to a complete stop before removing the workpiece.

MAKING A LARGE PANEL CUT

See Figure 39.

Make sure the saw is properly secured to a work surface to avoid tipping from the weight of a large panel.

WARNING:

Make sure the blade guard assembly is installed and working properly to avoid possible serious injury.

COMPOUND (BEVEL) MITER CUT

PLACE LEFT HAND ON
MITER GAUGE HERE

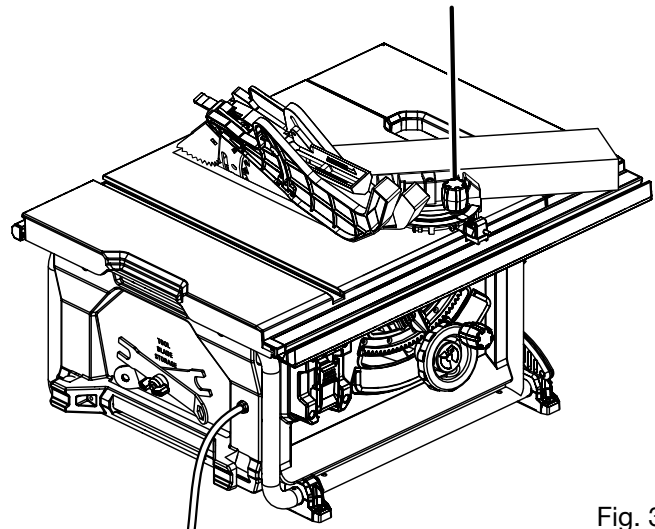


Fig. 38

LARGE PANEL CUT

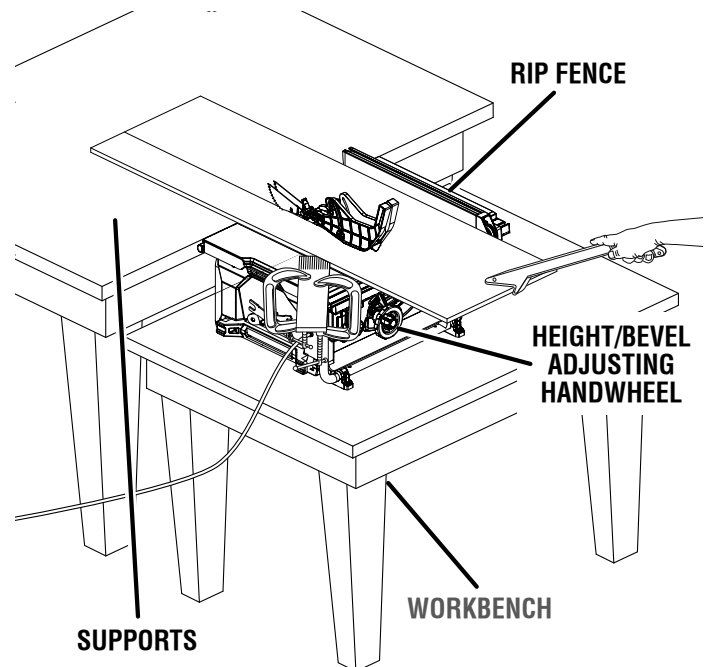


Fig. 39

WARNING:

Never make freehand cuts (cuts without the miter gauge or rip fence), which can result in serious injury.

- Install feather board in the appropriate position for the cut being made.

OPERATION

- Place a support the same height as the top of the saw table behind the saw for the cut work. Add supports to the sides as needed.

⚠ WARNING:

Improper support of the workpiece on the side and/or outfeed side of the saw could create unexpected movement of the workpiece and/or the saw, resulting in serious personal injury.

- Depending on the shape of the panel, use the rip fence or miter gauge. If the panel is too large to use either the rip fence or the miter gauge, it is too large for this saw.
- Make sure the wood does not touch the blade before you turn on the saw.
- Turn the saw on.
- Position the workpiece flat on the table with the edge flush against the rip fence. Let the blade build up to full speed before feeding the workpiece into the blade.
- Use a push stick to move the piece through the cut and past the blade.
- When the cut is made, turn the saw off. Wait for the blade to come to a complete stop before removing the workpiece.

MAKING A NON-THROUGH CUT

See Figure 40.

Non-through cuts (made with a standard 10 in. blade) can be made with the grain (ripping) or across the grain (cross cut). The use of a non-through cut is essential to cutting grooves, rabbets, and dados. This is the only type cut that is made without the blade guard assembly installed. Make sure the blade guard assembly is reinstalled upon completion of this type of cut. Read the appropriate section which describes the type of cut in addition to this section on non-through or dado cuts. For example, if your non-through cut is a straight cross cut, read and understand the section on straight cross cuts before proceeding.

⚠ WARNING:

When making a non-through cut, the cutter is covered by the workpiece during most of the cut. Be alert to the exposed cutter at the start and finish of every cut to avoid the risk of personal injury.

⚠ WARNING:

Never feed wood with your hands when making any non-through cut such as rabbets or dados. To avoid personal injury, always use push blocks, push sticks, and featherboards.

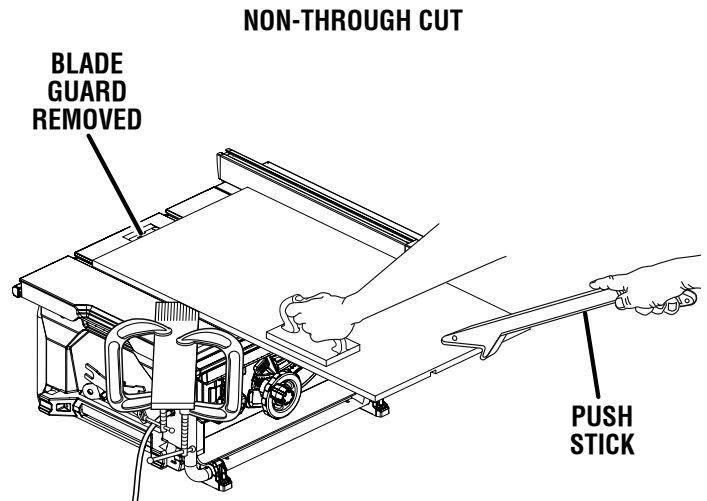


Fig. 40

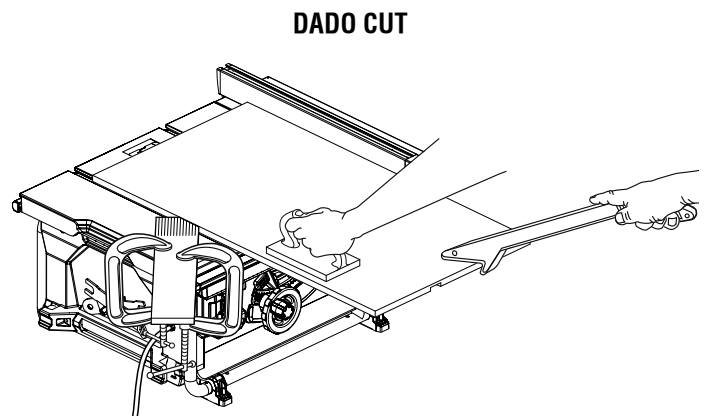


Fig. 41

- Unplug the saw.
- Remove the blade guard and anti-kickback pawls.
- Place riving knife in “down” position.
- Unlock the bevel locking lever.
- Adjust the bevel angle to the desired setting.
- Lock the bevel locking lever.
- Set the blade to the correct depth for the workpiece.
- Depending on the shape and size of the wood, use either the rip fence or miter gauge.
- Plug the saw into the power source and turn the saw on.
- Let the blade build up to full speed before moving the workpiece into the blade.
- Always use push blocks, push sticks, and/or featherboards appropriately when making non-through cuts to reduce the risk of serious injury.
- When the cut is made, turn the saw off. Wait for the blade to come to a complete stop before removing the workpiece.

OPERATION

Once all non-through cuts are completed:

- Unplug your saw.
- Reinstall the riving knife in the “up” position then install the blade guard and anti-kickback pawls.

MAKING A DADO CUT

See Figure 41.

An optional dado throat plate is required for this procedure (see the *Accessories* section of this manual and check with the retailer where the table saw was purchased). All blades and dado sets must not be rated less than the speed of this tool. This saw is designed for use with a 6 in. stack dado (up to width of 3/4 in.). Do not use an adjustable dado on this saw.

WARNING:

When making a non-through cut, the blade is covered by the workpiece during most of the cut. Be alert to the exposed blade at the start and finish of every cut to reduce the risk of personal injury.

WARNING:

Always put all blade washers, spacers, and nuts in proper location when changing back to saw blade. Failure to do so may result in possible injury and damage to the tool.

WARNING:

Always use push blocks, push sticks, and/or featherboards when making dado cuts to avoid the risk of serious injury.

- Unplug your saw.
- Remove the blade guard, anti-kickback pawls, throat plate, and riving knife.
- Remove the blade nut, outer blade washer, saw blade, inner blade washer, and spacer (*see figure 43*).

NOTE: Always store the blade washer and throat plate in a secure location.

- Reinstall the inner blade washer.
- Mount the dado blade, according to manufacturer instructions, using the blade and chippers appropriate for the desired width of cut.
- Reinstall the blade nut.
NOTE: The blade washer may be used provided the arbor shaft extends slightly beyond the arbor nut.
- Make sure the blade nut is fully engaged and the arbor extends past a securely tightened blade nut.
- Place riving knife release lever in locked position.
- Install the dado throat plate and rotate the blade by hand to make sure it turns freely then lower the blade.
- Depending on the shape and size of the wood, use either the rip fence or miter gauge.
- If making a rip cut, install feather board in the appropriate position for the cut being made.
- Turn the saw on.

- NOTE:** Make sure the wood does not touch the blade before you turn on the saw. Let the blade build up to full speed before feeding the workpiece into the blade.
- Position the workpiece flat on the table with the edge flush against the rip fence or miter gauge.
- Use a push block or push stick to move the wood through the cut past the blade. Never push a small piece of wood into the blade with your hand, always use a push stick. The use of push blocks, push sticks, and featherboards are necessary when making non-through cuts.
- When the cut is made, turn the saw off. Wait for the blade to come to a complete stop before removing the workpiece.

Once all dado cuts are completed:

- Unplug your saw.
- Remove the dado blade and reinstall the standard cutting blade.
- Reinstall the riving knife in the “up” position then install the blade guard and anti-kickback pawls.

ADJUSTMENTS

⚠ WARNING:

Before performing any adjustment, make sure the tool is unplugged from the power supply and the switch is in the off (**O**) position. Failure to heed this warning could result in serious personal injury.

To avoid unnecessary set-ups and adjustments, a good practice is to check your setups carefully with a framing square and make practice cuts in scrap wood before making finish cuts in good workpieces. Do not start any adjustments until you have checked with a square and made test cuts to be sure adjustments are needed.

TO REPLACE THE BLADE

See Figures 42 - 44.

Blade kerf width must be within the limits stamped on the riving knife.

- Unplug the saw.
- Lower the saw blade and remove the throat plate.
- Raise the saw blade to full height then remove the blade guard and anti-kickback pawls.
- Make sure the bevel locking lever is securely pushed to the left.
- Using the small blade wrench, insert the open end onto the flats on the arbor shaft.
- Insert the closed end of the large wrench over the hex nut. Holding both wrenches firmly, pull the large wrench (right side) forward while pushing the small wrench (left side) to the back of the saw.
- Unlock the release lever and remove the blade.

NOTE: Arbor shaft has right-hand threads.

To replace the blade with an accessory blade, follow the instructions provided with the accessory.

To install a standard blade:

NOTE: Make sure the spacer and inner blade washer are in place on the arbor shaft before installing the new blade.

- Place the new blade on the arbor shaft (the teeth must point down toward the front of the saw to work properly).
- Place the blade washer and the hex nut over the arbor shaft. Be sure the flat side of the blade washer faces out from the blade and that all items are snug against the arbor housing. Make sure the hex nut is securely tightened. Do not overtighten.
- Lock the release lever.
- Rotate the blade by hand to make sure it turns freely.
- Lower the saw blade and reinstall the throat plate.

When finished, check all clearances for free blade rotation. Refer to **To Set the Rip Fence Scale Indicator to the Blade** in the *Operation* section earlier in this manual. In cutting operations, the scale will be set to the side of the blade where the cut will be measured and made.

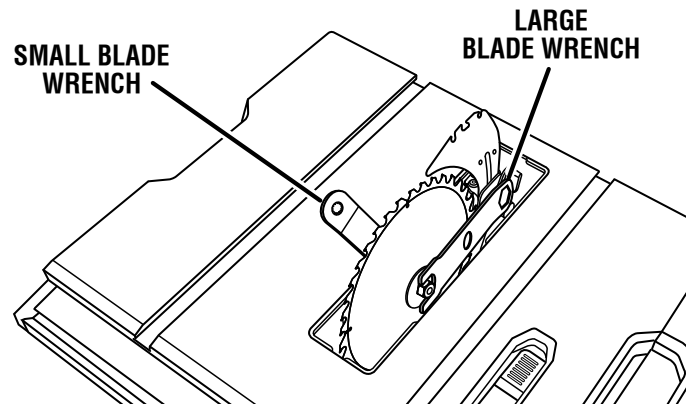


Fig. 42

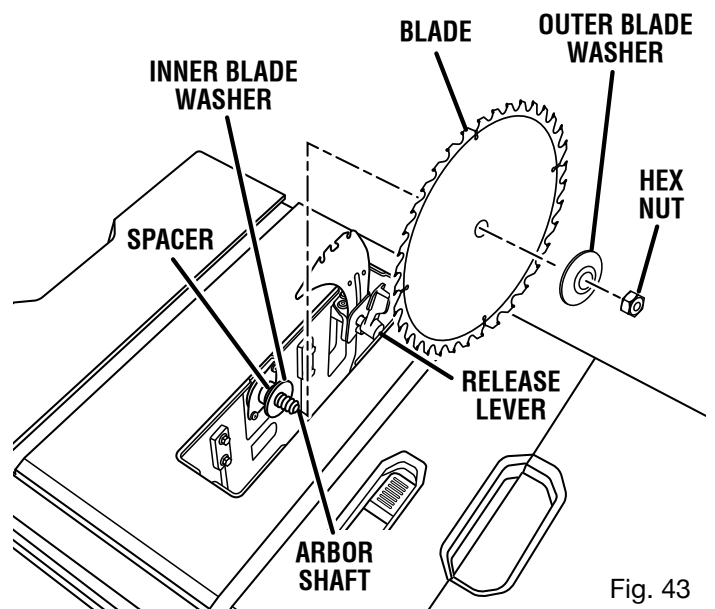


Fig. 43

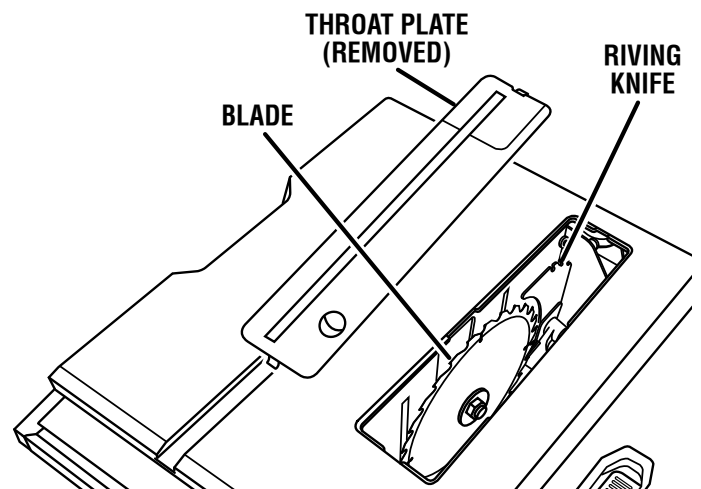


Fig. 44

ADJUSTMENTS

TO SET THE BLADE AT 0° AND 45°

See Figures 45 - 46.

The angle settings of your saw have been set at the factory and, unless damaged in shipping, should not require setting during assembly. After extensive use, it may need to be checked.

- Unplug the saw.
- Raise the blade and remove the blade guard.

Determine if the blade is perfectly vertical (0°):

- Place a combination square beside the blade on the right. The edge of the square and the saw blade should be parallel.

NOTE: Make sure that the square contacts the flat part of the saw blade, not the blade teeth.

- If the blade is not perfectly vertical (0°):
 - Unlock the bevel locking lever.
 - Rotate the 0° adjustment screw to adjust as needed.
 - Lock the bevel locking lever.
- Check again for squareness and continue to adjust if needed.

Determine if the blade is exactly 45°:

- Place a combination square beside the blade on the right. The edge of the square and the saw blade should be parallel.

NOTE: Make sure that the square contacts the flat part of the saw blade, not the blade teeth.

- If the blade is not exactly 45°:
 - Unlock the bevel locking lever.
 - Rotate the 45° adjustment screw to adjust as needed.
 - Lock the bevel locking lever.
- Check again for squareness and continue to adjust if needed.
- If needed, adjust the bevel indicator to 45°.
- Make a test cut.

TO ADJUST THE MITER GAUGE

See Figure 47.

You can set the miter gauge at 0° and plus or minus 45° with the miter gauge stop pin and adjustable stop screws.

NOTE: The miter gauge provides close accuracy in angled cuts. For very close tolerances, test cuts are recommended.

- Loosen knob and pull out on stop pin to rotate miter gauge base past stop screws.
- Loosen the lock nut of the 0° stop screw at the stop pin with a 8 mm wrench.
- Place a combination square against the miter gauge rod and the miter gauge base.
- If the rod is not square, loosen the knob, adjust the rod, and tighten the knob.

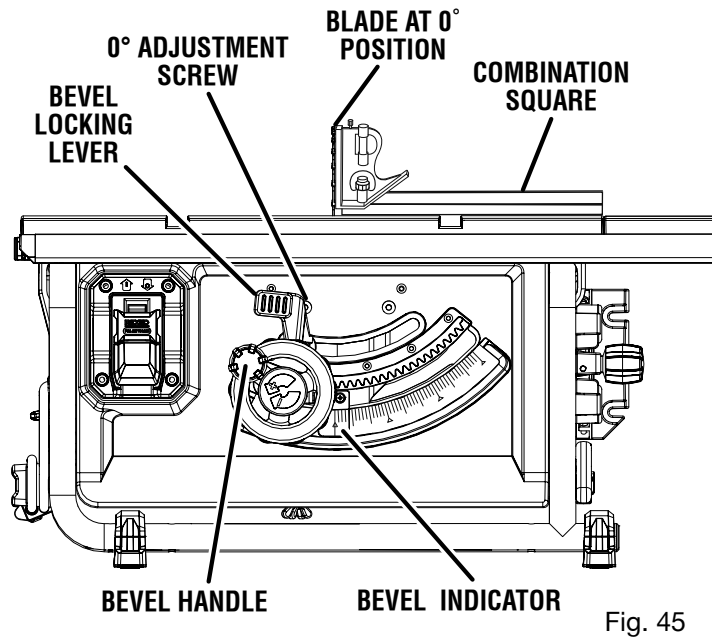


Fig. 45

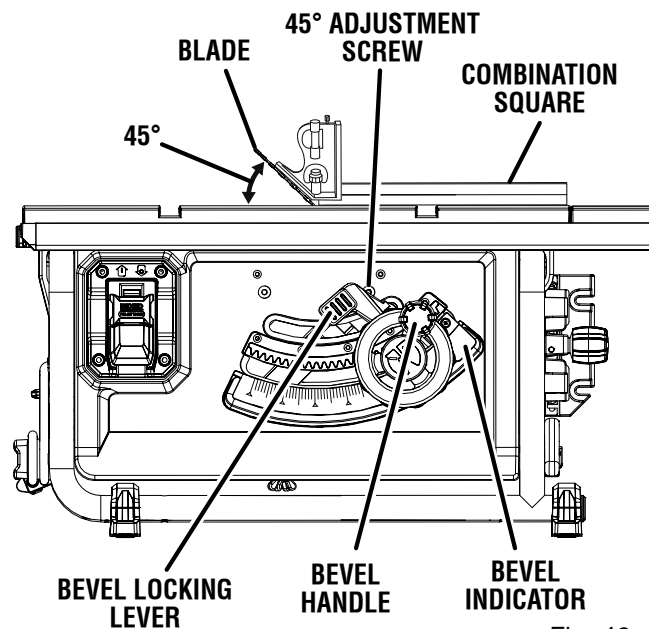


Fig. 46

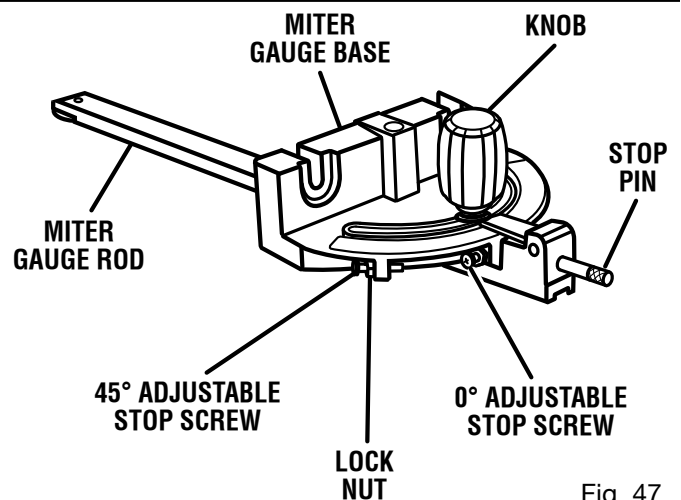


Fig. 47

ADJUSTMENTS

- Adjust the 0° stop screw until it rests against the stop pin.
- Adjust the plus and minus 45° stop screws using a 45° triangle and the steps above.

TO CHECK THE ALIGNMENT OF THE RIP FENCE TO THE BLADE

See Figure 48.

The rip fence must be parallel to the saw blade and the miter gauge grooves.

WARNING:

A misaligned rip fence can cause kickbacks and jams. To reduce the risk of injury, always maintain proper rip fence alignment.

- Unplug the saw.
- Remove the blade guard, riving knife, and anti-kickback pawls. Raise the blade by turning the height/bevel adjusting handwheel.
- Verify the blade is parallel to the miter gauge groove as described in the **Adjusting the Blade Parallel to the Miter Gauge Groove (Removing Heel)** section in *Operations*.
- Move the rip fence near the saw blade (about three inches away) and lock the rip fence in place with the locking lever.
- Mark beside one of the blade teeth at the front of the blade. Using a ruler, measure the distance from the inside face of the blade tooth to the inside face of the rip fence.

NOTE: For greater accuracy, place the marked blade tooth on top of the ruler.

- Turn the blade so the marked tooth is at the back.
- Move the ruler to the rear and again measure the distance from the inside face of the blade tooth to the inside face of the rip fence. If the distances are the same, the blade and the rip fence are parallel.

If the distances are different:

- Loosen the two screws located on top of the rip fence.
- Adjust the rip fence.
- Alternately retighten the screws. Recheck alignment.
- Repeat steps as needed until rip fence is correctly aligned.
- Replace blade guard, riving knife, and anti-kickback pawls.

TO CHECK THE TIGHTNESS OF THE RIP FENCE LOCKING LEVER

See Figures 48 - 49.

The locking lever on the rip fence should hold the rip fence securely against the front and back rails. The lever should not be difficult to push down and lock. To assure proper fence lock adjustment:

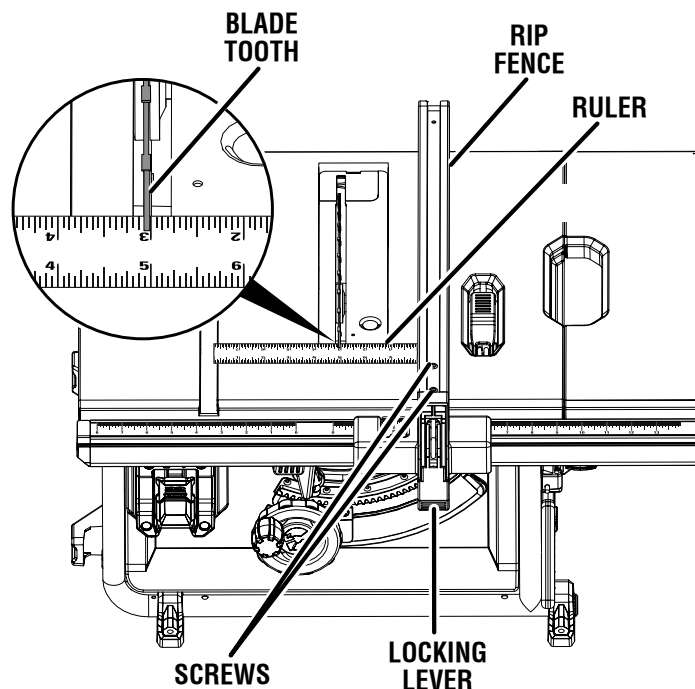


Fig. 48

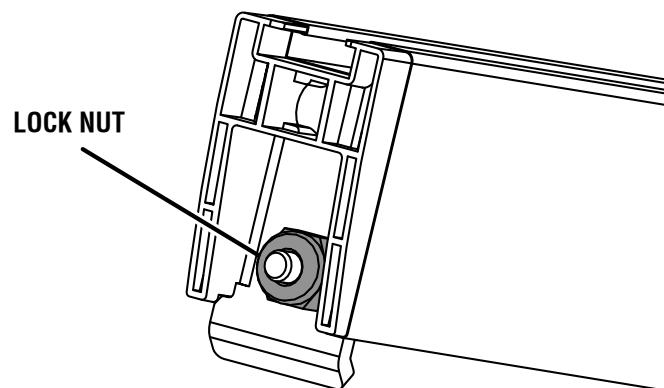


Fig. 49

- Lock the rip fence in place.
- Try moving the fence from side-to-side. If the fence moves, tighten the lock nut 1/4 turn.
- With the rip fence in the locked position, recheck rip fence parallelism with the miter gauge groove and adjust if necessary.

MAINTENANCE

⚠ WARNING:

When servicing, use only identical replacement parts. Use of any other parts may create a hazard or cause product damage.

⚠ WARNING:

Always wear eye protection with side shields marked to comply with ANSI Z87.1 during product operation. If operation is dusty, also wear a dust mask.

⚠ WARNING:

Before performing any maintenance, make sure the tool is unplugged from the power supply and the switch is in the off (**O**) position. Failure to heed this warning could result in serious personal injury.

GENERAL MAINTENANCE

Avoid using solvents when cleaning plastic parts. Most plastics are susceptible to damage from various types of commercial solvents and may be damaged by their use. Use clean cloths to remove dirt, dust, oil, grease, etc.

⚠ WARNING:

Do not at any time let brake fluids, gasoline, petroleum-based products, penetrating oils, etc., come in contact with plastic parts. Chemicals can damage, weaken or destroy plastic which may result in serious personal injury.

- Periodically check all clamps, nuts, bolts, and screws for tightness and condition. Make sure the throat plate is in good condition and in position.
- Check the blade guard assembly for proper installation, fit, and clearances, and for free movement. Some wood types may cause a buildup of dust, pitch, or resin on components, so regular maintenance is recommended. Any cleaner used must be appropriate for use on plastic parts.

ACCESSORIES

Look for these accessories where you purchased this product or call 1-866-539-1710:

- Dado Throat Plate..... 089037006914
- Leg Stand Assembly 089240020707

⚠ WARNING:

Current attachments and accessories available for use with this tool are listed above. Do not use any attachments or accessories not recommended by the manufacturer of this tool. The use of attachments or accessories not recommended can result in serious personal injury.

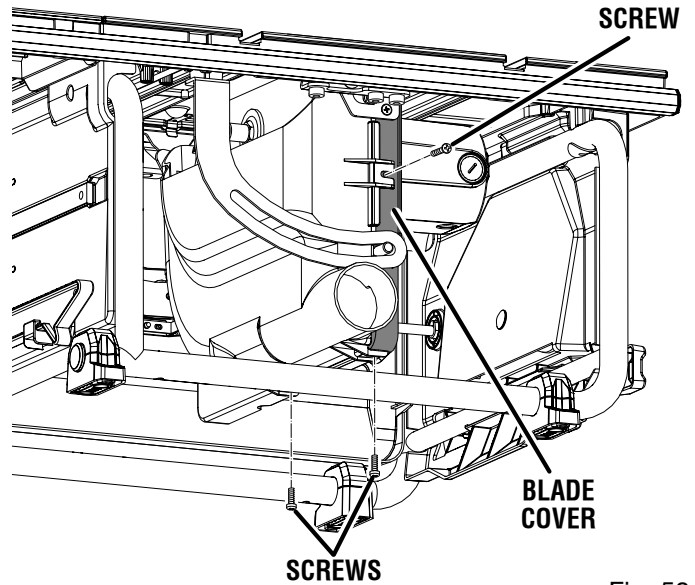


Fig. 50

- Remove the screws and open the blade cover. Clean sawdust and wood chips from the blade cover. Close and secure. (See figure 50.)
- **Clean plastic parts only with a soft damp cloth. Do not** use any aerosol or petroleum solvents.
- Protect the blade by cleaning out sawdust from underneath the table and in the blade teeth. Clean blade teeth with a solvent recommended for gum and pitch removal.
- To maintain the table surfaces, fence, and rails, periodically apply paste wax to them and buff to provide smooth functioning. To prevent work from slipping during cutting operation, **do not** wax the working face of the miter gauge.

LUBRICATION

This saw's motor bearings have been packed at the factory with proper lubrication.

- Clean screw threads and nuts with a solvent recommended for gum and pitch removal.
- Lubricate screw threads, nuts, and bearing points (including those on the blade guard assembly and miter gauge).

TROUBLESHOOTING

Problem	Cause	Solution
Excess vibration.	Blade is out of balance. Blade is damaged. Saw is not mounted securely. Work surface is uneven. Blade is warped.	Replace blade. Replace blade. Tighten all hardware. Reposition on flat surface. Replace blade.
Rip fence does not move smoothly.	Rip fence not mounted correctly. Rails are dirty or sticky. Clamp screw is out of adjustment.	Remount the rip fence. Clean and wax rails. Adjust clamp screw.
Rip fence does not lock at rear.	Clamp screw is out of adjustment.	Adjust clamp screw.
Cutting binds or burns work.	Blade is dull. Blade is heeling. Work is fed too fast. Rip fence is misaligned. Riving knife is out of alignment. Workpiece is warped.	Replace or sharpen blade. See Adjusting the Blade Parallel to the Miter Gauge Groove (Removing Heel) in the <i>Operation</i> section. Slow the feed rate. Align the rip fence. See To Check and Align the Riving Knife and Saw Blade in the <i>Assembly</i> section. Replace the workpiece. Always cut with convex side to table surface.
Wood edges away from rip fence when ripping.	Rip fence is misaligned.	Check and adjust the rip fence.

TROUBLESHOOTING

Problem	Cause	Solution
Saw does not make accurate 90° or 45° cuts.	Positive stops inside cabinet need adjusting (Bevel Cuts). Miter gauge is misaligned (Miter Cuts).	Adjust positive stops. Adjust the miter gauge.
Height/bevel adjusting handwheel is hard to turn.	Gears or screw post inside cabinet are clogged with sawdust.	Clean the gears or screw post.
Saw does not start.	Motor cord or wall cord is not plugged in. Circuit fuse is blown. Circuit breaker is tripped. Cord or switch is damaged.	Plug in motor cord or wall cord. Replace circuit fuse. Reset circuit breaker. Have replaced by qualified service center.
Blade makes poor cuts.	Blade is dull or dirty. Blade is wrong type for cut being made. Blade is mounted backwards.	Clean, sharpen, or replace blade. Replace with correct type. Remount blade.
Blade does not lower when turning height/bevel adjusting handwheel.	Blade cover is dirty.	See cleaning instructions in the <i>Maintenance</i> section.
Motor labors in rip cut.	Blade not proper for rip cut.	Change blade; rip blade typically has fewer teeth.

WARRANTY

RIDGID® HAND HELD AND STATIONARY POWER TOOL 3 YEAR LIMITED SERVICE WARRANTY

Proof of purchase must be presented when requesting warranty service.

Limited to RIDGID® hand held and stationary power tools purchased 2/1/04 and after. This product is manufactured by One World Technologies, Inc. The trademark is licensed from RIDGID, Inc. All warranty communications should be directed to One World Technologies, Inc., attn: RIDGID Hand Held and Stationary Power Tool Technical Service at (toll free) 1-866-539-1710.

90-DAY SATISFACTION GUARANTEE POLICY

During the first 90 days after the date of purchase, if you are dissatisfied with the performance of this RIDGID® Hand Held or Stationary Power Tool for any reason you may return the tool to the dealer from which it was purchased for a full refund or exchange. To receive a replacement tool you must present proof of purchase and return all original equipment packaged with the original product. The replacement tool will be covered by the limited warranty for the balance of the 3 YEAR service warranty period.

WHAT IS COVERED UNDER THE 3 YEAR LIMITED SERVICE WARRANTY

This warranty on RIDGID® Hand Held and Stationary Power Tools covers all defects in workmanship or materials and normal wear items such as brushes, chucks, motors, switches, cords, gears and even cordless batteries in this RIDGID® tool for three years following the purchase date of the tool. Warranties for other RIDGID® products may vary.

HOW TO OBTAIN SERVICE

To obtain service for this RIDGID® tool you must return it; freight prepaid, or take it in to an authorized service center for RIDGID® branded hand held and stationary power tools. You may obtain the location of the authorized service center nearest you by calling (toll free) 1-866-539-1710 or by logging on to the RIDGID® website at www.ridgid.com. When requesting warranty service, you must present the original dated sales receipt. The authorized service center will repair any faulty workmanship, and either repair or replace any part covered under the warranty, at our option, at no charge to you.

WHAT IS NOT COVERED

This warranty applies only to the original purchaser at retail and may not be transferred. This warranty only covers defects arising under normal usage and does not cover any malfunction, failure or defect resulting from misuse, abuse, neglect, alteration, modification or repair by other than an authorized service center for RIDGID® branded hand held and stationary power tools. Consumable accessories provided with the tool such as, but not limited to, blades, bits and sand paper are not covered.

RIDGID, INC. AND ONE WORLD TECHNOLOGIES, INC. MAKE NO WARRANTIES, REPRESENTATIONS OR PROMISES AS TO THE QUALITY OR PERFORMANCE OF ITS POWER TOOLS OTHER THAN THOSE SPECIFICALLY STATED IN THIS WARRANTY.

ADDITIONAL LIMITATIONS

To the extent permitted by applicable law, all implied warranties, including warranties of MERCHANTABILITY or FITNESS FOR A PARTICULAR PURPOSE, are disclaimed. Any implied warranties, including warranties of merchantability or fitness for a particular purpose, that cannot be disclaimed under state law are limited to three years from the date of purchase. One World Technologies, Inc. and RIDGID, Inc. are not responsible for direct, indirect, incidental or consequential damages. Some states do not allow limitations on how long an implied warranty lasts and/or do not allow the exclusion or limitation of incidental or consequential damages, so the above limitations may not apply to you. This warranty gives you specific legal rights, and you may also have other rights which vary from state to state.

One World Technologies, Inc.

P.O. Box 1427
Anderson, SC 29622

RÈGLES DE SÉCURITÉ GÉNÉRALES

AVERTISSEMENT :

Lire et veiller à bien comprendre toutes les instructions. Le non respect des instructions ci-dessous peut entraîner un choc électrique, un incendie et des blessures graves.

LIRE TOUTES LES INSTRUCTIONS

- **VEILLER À BIEN CONNAÎTRE L'OUTIL.** Lire attentivement le manuel d'utilisation. Apprendre les applications et les limites de la scie, ainsi que les risques spécifiques relatifs à son utilisation.
- **SE PROTÉGER DES CHOCS ÉLECTRIQUES EN ÉVITANT TOUT CONTACT DU CORPS AVEC DES SURFACES MISES À LA TERRE.** Par exemple : tuyaux, radiateurs, cuisinières, réfrigérateurs.
- **MAINTENIR TOUS LES DISPOSITIFS DE PROTECTION EN PLACE** et en bon état de fonctionnement.
- **RETIRER LES CLÉS ET OUTILS DE RÉGLAGE.** Prendre l'habitude de vérifier que tous les outils et clés de réglage ont été retirés de l'outil avant de le mettre en marche.
- **GARDER LE LIEU DE TRAVAIL PROPRE.** Les établis encombrés et les endroits sombres sont propices aux accidents. **NE PAS** laisser d'outils ou de pièces de bois sur la scie en fonctionnement.
- **NE PAS UTILISER DANS DES ENVIRONNEMENTS DANGEREUX.** Ne pas utiliser les outils électriques dans des endroits mouillés ou humides, ne pas les exposer à la pluie. Garder le lieu de travail bien éclairé.
- **GARDER LES ENFANTS ET VISITEURS À L'ÉCART.** Tous les visiteurs doivent porter des lunettes de sécurité et se tenir à bonne distance de la zone de travail. Ne pas laisser les visiteurs toucher l'outil ou son cordon d'alimentation pendant le fonctionnement.
- **ASSURER LA SÉCURITÉ DES ENFANTS** en installant des cadenas et des disjoncteurs ou en retirant les clés de contact.
- **NE PAS FORCER L'OUTIL.** Il exécutera le travail mieux et de façon moins dangereuse s'il fonctionne dans les limites prévues.
- **UTILISER L'OUTIL APPROPRIÉ.** Ne pas utiliser l'outil ou un accessoire pour effectuer un travail pour lequel il n'est pas conçu. Ne pas utiliser l'outil pour une application non prévue.
- **UTILISER UN CORDON PROLONGATEUR ADÉQUAT.** S'assurer que le cordon prolongateur est en bon état. Utiliser exclusivement un cordon d'une capacité suffisante pour supporter le courant de fonctionnement de l'outil. Un cordon de capacité insuffisante causerait une baisse de la tension de ligne, entraînant une perte de puissance et une surchauffe. Un calibre de fil (A.W.G) d'au minimum **14** est recommandé pour un cordon prolongateur de 7,5 m (25 pi) ou moins. En cas de doute, utiliser un cordon du calibre immédiatement supérieur. Moins le numéro de calibre est élevé, plus la capacité du fil est grande.
- **PORTER UNE TENUE APPROPRIÉE.** Ne pas porter de vêtements amples, gants, cravate ou bijoux. Ces articles pourraient être happés et tirer la main ou une partie du corps dans les pièces en mouvement. Les cheveux longs doivent être ramassés sous un couvre-chef.
- **TOUJOURS PORTER UNE PROTECTION OCULAIRE AVEC ÉCRANS LATÉRAUX CERTIFIÉE CONFORME À LA NORME ANSI Z87.1.** Si cette précaution n'est pas prise, des objets peuvent être projetés dans les yeux et causer des lésions graves.
- **ASSUJETTIR LES PIÈCES.** Dans la mesure du possible, utiliser de panneau-peigne pour maintenir la pièce. Cette pratique réduit les risques et laisse les deux mains libres.
- **NE PAS TRAVAILLER HORS DE PORTÉE.** Toujours se tenir bien campé et en équilibre.
- **ENTREtenir SOIGNEUSEMENT LES OUTILS.** Garder les outils bien affûtés et propres pour accroître la sécurité et les performances. Suivre les instructions de lubrification et de changement d'accessoires.
- **DÉBRANCHER TOUS LES OUTILS.** Tous les outils doivent être débranchés lorsqu'ils ne sont pas en usage et avant toute opération d'entretien ou de changement d'accessoire, lame, foret, fers, etc.
- **ÉVITER LES DÉMARRAGES ACCIDENTELS.** S'assurer que le commutateur est en position d'arrêt avant de brancher un outil.
- **UTILISER LES ACCESSOIRES RECOMMANDÉS.** Voir les accessoires recommandés dans le manuel d'utilisation. L'utilisation d'accessoires inadéquats peut causer des blessures.
- **NE JAMAIS MONTER SUR L'OUTIL.** Un basculement de l'outil ou le contact accidentel avec l'accessoire de coupe peut causer des blessures graves.
- **VÉRIFIER L'ÉTAT DES PIÈCES.** Avant d'utiliser l'outil de nouveau examiner soigneusement les pièces et dispositifs de protection qui semblent endommagés afin de déterminer s'ils fonctionnent correctement et s'ils remplissent les fonctions prévues. Vérifier l'alignement des pièces mobiles, s'assurer qu'aucune pièce n'est bloquée ou cassée, vérifier la fixation de chaque pièce et s'assurer qu'aucun autre problème ne risque d'affecter le bon fonctionnement de l'outil. Pour éviter les risques de blessures, toute protection ou pièce endommagée doit être correctement réparée ou remplacée dans un centre de réparations agréé.
- **ENGAGER LES PIÈCES DANS LE SENS CORRECT.** Le matériau à couper ne doit être engagé que contre le sens de rotation de la lame.
- **NE JAMAIS LAISSER L'OUTIL EN FONCTIONNEMENT SANS SURVEILLANCE. COUPER L'ALIMENTATION ÉLECTRIQUE.** Ne pas s'éloigner de l'outil avant qu'il soit parvenu à un arrêt complet.
- **PORTER UNE PROTECTION RESPIRATOIRE.** Porter un masque facial ou respiratoire si le travail produit de la poussière.
- **PORTER UNE PROTECTION AUDITIVE.** Porter une protection auditive durant les périodes d'utilisation prolongée.
- **NE PAS MALTRAITER LE CORDON D'ALIMENTATION.** Ne jamais tirer sur le cordon pour le débrancher de la prise secteur. Garder le cordon à l'écart de la chaleur, de l'huile et des objets tranchants.
- **POUR LES TRAVAUX À L'EXTÉRIEUR, UTILISER UN CORDON SPÉCIALEMENT CONÇU À CET EFFET,**

RÈGLES DE SÉCURITÉ GÉNÉRALES

- MARQUÉ « W-A » OU « W ».** Ces cordons réduisent les risques de choc électrique.
- **TOUJOURS GARDER LA GARDE DE LAME ET LE COUTEAU DIVISEUR (DIVISEUR) EN PLACE** et en bon état de fonctionnement.
 - **GARDER LES LAMES PROPRES, BIEN AFFÛTÉES ET SUFFISAMMENT AVOYÉES.** Des lames affûtées réduisent les risques de blocage et de rebond.
 - **GARDER LES MAINS À L'ÉCART DE LA ZONE DE COUPE.** Garder les mains à l'écart des lames. Ne pas mettre les mains sous le travail, ou autour ou au dessus de la lame lorsqu'elle est en rotation. Ne pas essayer de retirer une pièce coupée pendant que la lame est en rotation.
 - **LES LAMES CONTINUENT DE TOURNER EN ROUE LIBRE UNE FOIS QUE LA SCIE EST ÉTEINTE.**
 - **NE JAMAIS UTILISER CET OUTIL DANS UNE ATMOSPHÈRE EXPLOSIVE.** Les étincelles normalement produite par le moteur pourraient enflammer les vapeurs.
 - **INSPECTER RÉGULIÈREMENT LES CORDONS DE L'OUTIL.** Faire remplacer tout commutateur défectueux par un technicien qualifié ou un centre de réparations agréé. Le fil à gaine verte, avec ou sans traceur jaune est le fil de terre. Si le cordon doit être réparé ou remplacé, ne pas connecter le fil de terre de l'outil sur une borne sous tension. Tout cordon endommagé doit être réparé ou remplacé immédiatement. Toujours rester conscient de l'emplacement du cordon et veiller à le tenir à l'écart de la lame en rotation.
 - **INSPECTER RÉGULIÈREMENT LES CORDONS PROLONGATEURS** et les remplacer s'ils sont endommagés.
 - **METTRE TOUS LES OUTILS À LA TERRE.** Si un outil est équipé d'une fiche à trois broches, il doit être branché sur une prise secteur à trois trous.
 - **CONSULTER UN ÉLECTRICIEN QUALIFIÉ** ou le personnel de service si les instructions de mise à la terre ne sont pas bien comprises, ou en cas de doute au sujet de la mise à la terre.
 - **N'UTILISER QUE DES ACCESSOIRES ÉLECTRIQUES APPROPRIÉS :** Utiliser exclusivement des cordons prolongateurs à 3 fils doté d'une fiche à prise de terre branchés sur une prise triphasée compatible avec la fiche de l'outil.
 - **NE PAS MODIFIER** la fiche fournie. Si elle ne peut pas être insérée dans la prise secteur, faire installer une prise adéquate par un électricien qualifié.
 - **GARDER L'OUTIL SEC, PROPRE ET EXEMPT D'HUILE OU DE GRAISSE.** Toujours utiliser un chiffon propre pour le nettoyage. Ne jamais utiliser de liquide de freins, d'essence ou de produits à base de pétrole pour nettoyer l'outil.
 - **RESTER VIGILANT ET GARDER LE CONTRÔLE.** Se montrer attentif et faire preuve de bon sens. Ne pas utiliser l'outil en état de fatigue. Ne pas se presser.
 - **NE PAS UTILISER L'OUTIL SI LE COMMUTATEUR NE PERMET PAS DE LE METTRE EN MARCHÉ OU DE L'ARRÊTER.** Faire remplacer les commutateurs défectueux dans un centre de réparations agréé.
 - **N'UTILISER QUE LES LAMES APPROPRIÉES.** Ne pas utiliser de lames dont le trou n'est pas de la taille correcte. Ne jamais utiliser de rondelles ou boulons de lame défectueux ou de type incorrect. La taille maximum de lame pouvant être utilisée sur cette scie est de 254 mm (10 po).
 - **S'ASSURER QUE TOUS LES DISPOSITIFS DE PROTECTION FONCTIONNENT CORRECTEMENT AVANT D'EFFECTUER UNE COUPE.**
 - **S'ASSURER QU'AUCUN CLOU NE SE TROUVE SUR LA TRAJECTOIRE DE LA LAME.** Inspecter la pièce et retirer les clous éventuels avant de la couper.
 - **NE JAMAIS TOUCHER LA LAME** ou les pièces en mouvement pendant le fonctionnement.
 - **NE JAMAIS METTRE UN OUTIL EN MARCHÉ LORSQU'UNE PIÈCE EN ROTATION QUELCONQUE EST EN CONTACT AVEC LA PIÈCE À COUPER.**
 - **NE PAS UTILISER CET OUTIL SOUS L'INFLUENCE DE L'ALCOOL, DE DROGUES OU DE MÉDICAMENTS.**
 - Utiliser exclusivement des pièces identiques à celles d'origine **POUR LES RÉPARATIONS.** L'usage de toute autre pièce pourrait créer une situation dangereuse ou endommager l'outil.
 - **UTILISER EXCLUSIVEMENT LES ACCESSOIRES RECOMMANDÉS** dans ce manuel ou ses addendas. L'emploi de tout accessoire non recommandé peut présenter un risque de blessure. Les instructions de sécurité d'utilisation sont fournies avec les accessoires.
 - **VÉRIFIER DEUX FOIS TOUS LES RÉGLAGES.** S'assurer que la lame est bien serrée et ne touche ni la scie, ni la pièce à couper avant de brancher la scie sur le secteur.

RÈGLES DE SÉCURITÉ PARTICULIÈRES




- **ASSUJETTIR OU BOULONNER SOLIDEMENT LA SCIE SUR UN ÉTABLI OU UN STAND,** approximativement à la hauteur de tailles.
- **POUR ÉVITER DES BLESSURES GRAVES, TOUJOURS S'ASSURER QUE LA SCIE À TABLE EST SOLIDEMENT FIXÉE SUR UN ÉTABLI OU UN STAND APPROUVÉ. NE JAMAIS UTILISER LA SCIE POSÉE SUR LE SOL.**
- **SE PROTÉGER DES REBONDS.** Le rebond se produit lorsqu'un blocage soudain de la lame dans le bois cause la projection de la pièce en train d'être coupée en direction de l'opérateur. Ceci peut tirer la main contre la lame et causer des blessures graves. Rester à l'écart de la ligne de coupe et arrêter immédiatement la scie si la lame est bloquée, stoppe ou se coince.
- **UTILISER LE GUIDE LONGITUDINAL.** Toujours utiliser un guide ou une règle pour le sciage en long.

RÈGLES DE SÉCURITÉ PARTICULIÈRES







- **SOUTENIR LES PANNEAUX DE GRANDE TAILLE.** Pour minimaliser le risque de pincement de la lame et de rebond, toujours soutenir les panneaux de grande taille.
- **RETIRER TOUS LES GUIDES ET TOUTES LES TABLES AUXILIAIRES** avant de transporter la scie. Le non-respect de cette précaution peut entraîner un accident et des blessures graves.
- **TOUJOURS UTILISER LA GARDE DE LAME, LE COUTEAU DIVISEUR ET LES GRIFFES ANTIREBOND** lors des coupes « traversantes ». Une coupe est appelée « traversante » lorsque la lame coupe une pièce de bois de part en part, dans le sens de la longueur ou de la largeur. Garder la garde de lame ainsi que les griffes antirebond abaissées et l'écarteur en place sur la lame.
- **TOUJOURS ASSUJETTER LA PIÈCE À COUPER** fermement contre le guide longitudinal ou le guide d'onglets.
- **LORS DE LA REFENTE DES PLANCHES ÉTROITES,** toujours utiliser un bâton poussoir, bloc poussoir, sauteuse (pour la coupe longitudinal la refente des planches pièce) ou cale-guide.
- **LORS DU COUPES LONGITUDINAL NON TRAVERSANTE,** toujours utiliser un bâton poussoir, bloc poussoir et/ou cale-guide afin de ne pas risquer que les mains à moins de 76,2 mm (3 po) de la lame.
- **TOUJOURS UTILISER UN BÂTON POUSSOIR LORS DE LA REFENTE DES PLANCHES ÉTROITES.** Un bâton poussoir est un instrument permettant de pousser une pièce contre la lame au lieu de le faire avec les mains. Bien que la taille et la forme puissent varier, le bâton poussoir doit toujours être plus étroit que la pièce à couper afin qu'il ne risque pas de toucher la lame. Lors de la refente de matériau étroit, toujours utiliser le poussoir ou le gabarit mentionné au chapitre **Comment faire un gabarit (pour la refente de pièce à travailler étroite)** dans ce manuel afin de garder la main éloignée de la lame de la scie. Pour les coupes non traversantes, utiliser un bloc poussoir et des cales-guides.
- **NE JAMAIS** effectuer quelque opération que ce soit à « main levée », c'est-à-dire en utilisant seulement les mains pour soutenir ou guider une pièce. Toujours utiliser le guide longitudinal ou le guide à onglet pour positionner et guider la pièce.
- **NE JAMAIS** se tenir ou laisser une partie du corps se trouver dans la trajectoire de la lame.
- **NE JAMAIS** placer la main ou les doigts derrière, au-dessous ou à moins de 76 mm (3 po) de la lame ou de sa trajectoire.
- **ÉCARTER LE GUIDE LONGITUDINAL** lors des coupes transversales.
- **NE JAMAIS** utiliser le guide longitudinal comme guide lors des coupes transversales.
- **NE JAMAIS** essayer de débloquer une lame coincées avant d'avoir **ÉTEINT** et débranché la scie.
- **FOURNIR UN SUPPORT ADÉQUAT** à l'arrière et sur les côtés de la table de scie, pour les pièces très larges ou longues.
- **ÉVITER LES REBONDS** (pièces projetées en direction de l'opérateur) en :
 - a) Gardant la lame affûtée.
 - b) Gardant le guide longitudinal parallèle à la lame.
 - c) Gardant le couteau diviseur. les griffes antirebond et la garde de lame en place en en état de fonctionnement.
 - d) Ne retirant pas la pièce avant qu'elle ait été poussée au-delà de la lame au moyen d'un bâton poussoir.
 - e) Ne sciant pas en long une pièce voilée, déformée ou dont le chant ne repose pas à plat contre le guide, dans le sens de la longueur (refente).
- **SI LE CORDON D'ALIMENTATION EST ENDOMMAGÉ,** il doit être remplacé uniquement pas le fabricant ou par un centre de réparation agréé pour éviter tout risque.
- **ÉVITER LES OPÉRATIONS ET POSITIONS INCOMMODES** pouvant causer un glissement soudain des mains vers la lame.
- **UTILISER EXCLUSIVEMENT LES ACCESSOIRES RECOMMANDÉS** dans ce manuel ou ses addendas. L'emploi de tout accessoire non recommandé peut présenter un risque de blessure. Les instructions de sécurité d'utilisation sont fournies avec les accessoires.
- **S'ASSURER QUE LA ZONE DE TRAVAIL EST SUFFISAMMENT ÉCLAIRÉE** pour voir ce que l'on fait et qu'aucun obstacle ne peut nuire à la sécurité d'utilisation **AVANT** d'effectuer quelque coupe que ce soit.
- **TOUJOURS ÉTEINDRE LA SCIE** avant de la débrancher pour éviter un démarrage accidentel lors du branchement pour l'utilisation suivante.
- **UTILISER SEULEMENT LES LAMES** dans la gamme d'épaisseur a timbré sur le couteau diviseur.
- Les avertissements ci-dessous doivent être apposés sur **CET OUTIL** :
 - a) Porter une protection oculaire.
 - b) Utiliser la garde de lame et le couteau diviseur pour toutes les opérations le permettant, y compris toutes les coupes traversantes.
 - c) Garder les mains hors du passage de la lame.
 - d) Utiliser un bâton poussoir lorsque nécessaire.
 - e) Prêter une attention particulière aux instructions relatives à la réduction des risques de rebond.
 - f) Ne jamais travailler à main levée.
 - g) Ne jamais passer la main derrière ou au-dessus e la lame.
- **NE JAMAIS COUPER PLUS QU'UN MORCEAU DE MATÉRIEL À LA FOIS.**
- **CONSERVER CES INSTRUCTIONS.** Les consulter fréquemment et les utiliser pour instruire les autres utilisateurs. Si cet outil est prêté, il doit être accompagné de ces instructions.

SYMBOLES

Les termes de mise en garde suivants et leur signification ont pour but d'expliquer le degré de risques associé à l'utilisation de ce produit.

SYMBOLE	SIGNAL	SIGNIFICATION
	DANGER :	Indique une situation dangereuse qui, si elle n'est pas évitée, aura pour conséquences des blessures graves ou mortelles.
	AVERTISSEMENT :	Indique une situation dangereuse qui, si elle n'est pas évitée, pourrait entraîner des blessures graves ou mortelles.
	ATTENTION :	Indique une situation dangereuse qui, si elle n'est pas évitée, pourrait entraîner des blessures légères ou de gravité modérée.
	AVIS :	(Sans symbole d'alerte de sécurité) Indique les informations jugées importantes sans toutefois représenter un risque de blessure (ex. : messages concernant les dommages matériels).

Certains des symboles ci-dessous peuvent être utilisés sur l'outil. Veiller à les étudier et à apprendre leur signification. Une interprétation correcte de ces symboles permettra d'utiliser l'outil plus efficacement et de réduire les risques.

SYMBOLE	NOM	DÉSIGNATION / EXPLICATION
	Symbole d'alerte de sécurité	Indique un risque de blessure potentiel.
	Lire le manuel d'utilisation	Pour réduire les risques de blessures, l'utilisateur doit lire et veiller à bien comprendre le manuel d'utilisation avant d'utiliser ce produit.
	Protection oculaire	Toujours porter une protection oculaire avec écrans latéraux certifiée conforme à la norme ANSI Z87.1.
	Symbole Mains à l'écart	Le non-respect de cette mise en garde peut entraîner des blessures graves.
	Avertissement concernant l'humidité	Ne pas exposer à la pluie ou l'humidité.
	Avertissement de pincement	Faites toujours attention au mouvement, surtout là où il y a risque du pincement.
V	Volts	Tension
A	Ampères	Intensité
Hz	Hertz	Fréquence (cycles par seconde)
min	Minutes	Temps
~	Courant alternatif	Type de courant
n_0	Vitesse à vide	Vitesse de rotation à vide
.../min	Par minute	Tours, coups, vitesse périphérique, orbites, etc., par minute

CARACTÉRISTIQUES ÉLECTRIQUES

CORDONS PROLONGATEURS

Utiliser exclusivement des cordons prolongateurs à trois fils doté d'une fiche à prise de terre branchés sur une prise triphasée compatible avec la fiche de l'outil. Lors de l'utilisation d'un outil électrique à grande distance d'une prise secteur, veiller à utiliser un cordon prolongateur d'une capacité suffisante pour supporter l'appel de courant de l'outil. Un cordon de capacité insuffisante causerait une baisse de la tension de ligne, entraînant une perte de puissance et une surchauffe. Se reporter au tableau ci-dessous pour déterminer le calibre minimum de fil requis pour un cordon donné. Utiliser exclusivement des cordons à gaine ronde homologués par Underwriter's Laboratories (UL).

**Intensité nominale (sur la plaquette signalétique de l'outil)

0-2,0 2,1-3,4 3,5-5,0 5,1-7,0 7,1-12,0 12,1-16,0

Longueur du cordon	Calibre de fil (A.W.G.)					
	0-2,0	2,1-3,4	3,5-5,0	5,1-7,0	7,1-12,0	12,1-16,0
25'	16	16	16	16	14	14
50'	16	16	16	14	14	12
100'	16	16	14	12	10	—

**Utilisé sur circuit de calibre 12 – 20 A.

NOTE : AWG = American Wire Gauge

Pour les travaux à l'extérieur, utiliser un cordon prolongateur spécialement conçu à cet effet. La gaine des cordons de ce type porte l'inscription « W-A » ou « W ».

Avant d'utiliser un cordon prolongateur, vérifier que ses fils ne sont ni détachés ni exposés et que son isolation n'est ni coupée, ni usée.

⚠ AVERTISSEMENT :

Maintenir le cordon prolongateur à l'écart de la zone de travail. Lors du travail avec un cordon électrique, placer le cordon de manière à ce qu'il ne risque pas de se prendre dans les pièces de bois, outils et autres obstacles. Ne pas prendre cette précaution peut entraîner des blessures graves.

⚠ AVERTISSEMENT :

Vérifier l'état des cordons prolongateurs avant chaque utilisation. Remplacer immédiatement tout cordon endommagé. Ne jamais utiliser un outil dont le cordon d'alimentation est endommagé car tout contact avec la partie endommagée pourrait causer un choc électrique et des blessures graves.

CONNEXION ÉLECTRIQUE

Cet outil est équipé d'un moteur électrique de précision. Elle doit être branchée uniquement sur une **alimentation 120 V, c.a. (courant résidentiel standard), 60 Hz**. Ne pas utiliser cet produit sur une source de courant continu (c.c.). Une chute de tension importante causerait une perte de puissance et une surchauffe du moteur. Si l'outil ne fonctionne pas une fois branché, vérifier l'alimentation électrique.

VITESSE ET CÂBLAGE

La vitesse à vide de cet produit est d'environ 5 000 tr/min. La vitesse n'est pas constante et elle diminue sous une charge ou en présence d'une baisse de tension. Le câblage de l'atelier est aussi important que la puissance nominale du moteur. Une ligne conçue seulement pour l'éclairage ne peut pas alimenter correctement le moteur d'un outil électrique. Un fil électrique d'une capacité suffisante pour une courte distance ne le sera pas nécessairement pour une distance plus longue. Une ligne dont la capacité est suffisante pour un outil électrique ne l'est pas nécessairement pour deux ou trois.

INSTRUCTIONS DE MISE À LA TERRE

Ce produit doit être fondé. En cas de problème de fonctionnement ou de panne, la mise à la terre fournit un chemin de résistance au courant électrique, pour réduire le risque de choc électrique. Cet produit est équipé d'un cordon électrique avec conducteur et fiche de mise à la terre. Le cordon doit être branché sur une prise correctement installée et mise à la terre conformément à tous les codes et réglementations locaux en vigueur.

Ne pas modifier la fiche fournie. Si elle ne peut pas être insérée dans la prise secteur, faire installer une prise adéquate par un électricien qualifié.

⚠ AVERTISSEMENT :

L'usage d'un cordon prolongateur incorrect peut présenter des risques de choc électrique. Si le cordon doit être réparé ou remplacé, ne pas connecter le fil de terre de l'outil sur une borne sous tension. Le fil à gaine verte, avec ou sans traceur jaune est le fil de terre.

Consulter un électricien qualifié ou le personnel de service si les instructions de mise à la terre ne sont pas bien comprises, ou en cas de doute au sujet de la mise à la terre.

Tout cordon endommagé doit être réparé ou remplacé immédiatement.

Ce produit est pour l'usage sur un nominal 120 circuit de volt et a un fonder bouche similaire au bouchon illustré dans la figure 1. Seulement connecter le produit à une sortie ayant la même configuration comme le bouchon. Ne pas utiliser un adaptateur avec ce produit.

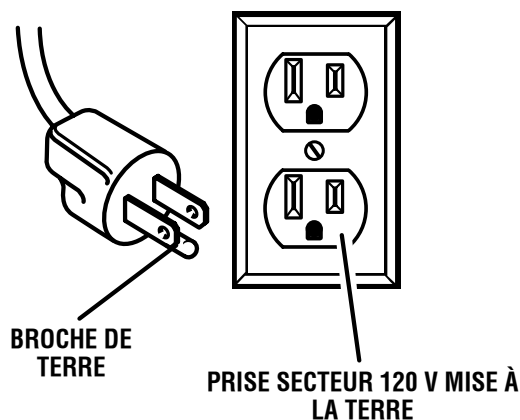


Fig. 1

GLOSSAIRE

Griffes antirebond (scies à table et radiales)

Dispositifs qui, s'ils sont correctement installés et entretenus, sont conçus pour empêcher que la pièce coupée soit propulsée en direction de l'opérateur durant la refente.

Axe

Pièce sur laquelle une lame ou un outil de coupe est monté.

Coupe en biseau

Coupe effectuée avec la lame sur toute position autre que perpendiculaire (90°) à la table.

Chanfrein

Coupe en biseau effectuée sur l'extrémité (ou une partie de l'extrémité) d'une pièce, de manière à ce qu'il présente un angle autre que 90°.

Coupe composée

Coupe transversale présentant un angle d'onglet et un angle de biseau.

Coupe transversale

Coupe ou profilage effectué en travers du grain de la pièce.

Tête de coupe (raboteuses et raboteuses/dégauchisseuses)

Pièce rotative munie de lames réglables. La tête de coupe enlève du matériau de la pièce.

Rainage (scies à table et scies à onglets composés)

Entaille qui produit une rainure ou gorge de forme rectangulaire dans la pièce de bois.

Cale-guide (scies à table)

Dispositif utilisé pour faciliter le contrôle de la pièce à couper en la guidant contre la table ou le guide lors des coupes longitudinales.

pi/min ou coups/min

Nombre de pieds par minute (ou coups par minute). Terme utilisé en référence au mouvement de la lame.

Main levée

Exécution d'une coupe sans que la pièce soit soutenue par un guide longitudinal, un guide d'onglet ou autre dispositif.

Gomme

Résidu collant formé par la sève du bois.

Talon

Alignement de la lame par rapport au guide.

Trait de scie

Quantité de matériau éliminé par la lame lors de coupes traversantes ou l'entaille produite lors de coupes non traversantes ou partielles.

Rebond

Réaction dangereuse se produisant lorsque la lame est pincée ou bloquée et projetant la pièce en train d'être coupée dans le sens de la rotation de la lame.

Coupe d'onglet

Coupe effectuée avec la lame sur toute position autre que perpendiculaire (90°) à la table.

Coupes non traversantes (scies à table et scies à onglets composés)

Toute coupe avec laquelle la lame ne traverse pas complètement la pièce. Il s'agit de faire une coupe sans que la lame coupe la pièce à travailler en deux.

Trou pilote (perceuses à colonne et scie à découper)

Petit trou pratiqué dans une pièce servant de guide pour assurer la précision d'un trou de plus grand diamètre ou pour l'insertion d'une lame de scie à découper.

Blocs poussoirs (dégauchisseuses/raboteuses)

Dispositifs utilisés pour pousser le matériau contre la tête de coupe lors de toute opération. Ce dispositif aide à tenir la main de l'opérateur bien à l'écart de la lame.

Blocs poussoirs et bâtons poussoirs (scies à table)

Dispositifs utilisés pour pousser le matériau contre la lame lors de la coupe. Un bâton poussoir (pas un bloc poussoir) doit être utilisé pour la refente de pièces étroites. Ce dispositif aide à tenir la main de l'opérateur bien à l'écart de la lame.

Feuilleure

Entaille située au bout ou sur le bord de la pièce de bois qui y produit une rainure ou une gorge de forme rectangulaire.

Refente (scies à table et scies à ruban)

Opération de coupe destinée à réduire l'épaisseur d'une pièce pour en produire plusieurs, plus minces.

Résine

Résidu collant formé par la sève du bois durcie.

Tours minute (r/min ou RPM)

Nombre de rotations effectuées par un objet en une minute.

Coupe longitudinale ou refente (scies à table)

Opération de coupe dans le sens de la longueur de la pièce et normalement dans le sens du grain du bois.

Couteau diviseur/écarteur (scies à table)

Pièce de métal légèrement plus mince que la lame, gardant le trait de scie ouvert pour empêcher le rebond.

Trajectoire de la lame de scie

Zone au-dessus, au-dessous, en avant ou en arrière de la lame. En ce qui concerne la pièce, la partie qui sera ou a été coupée par la lame.

Sifflet (raboteuses)

Enfoncement à l'extrémité d'une pièce causé par les lames de la tête de coupe lorsque la pièce n'est pas correctement soutenue.

Effiler la Coupe

Une coupe où le matériel est coupé à une ancho différente au début de la coupe de la fin.

Coupe traversante

Toute opération de coupe avec laquelle la lame traverse toute l'épaisseur de la pièce.

Pièce ou matériau

L'article sur lequel le travail est effectué.

Table

Surface sur laquelle la pièce repose lors des opérations de coupe, de perçage, de rabotage ou de ponçage.

CARACTÉRISTIQUES

SPÉCIFICATIONS

Axe de lame.....15,9 mm (5/8 po)
Diamètre de la lame.....254 mm (10 po)
Inclinaison biseau.....0° - 45°
Valeurs nominales 120 V~, 15 A, 60 Hz

Vitesse à vide5 000 r/min (RPM)
Profondeur de coupe à 0° 82,6 mm (3-1/4 po)
Profondeur de coupe à 45° 60,3 mm (2-3/8 po)

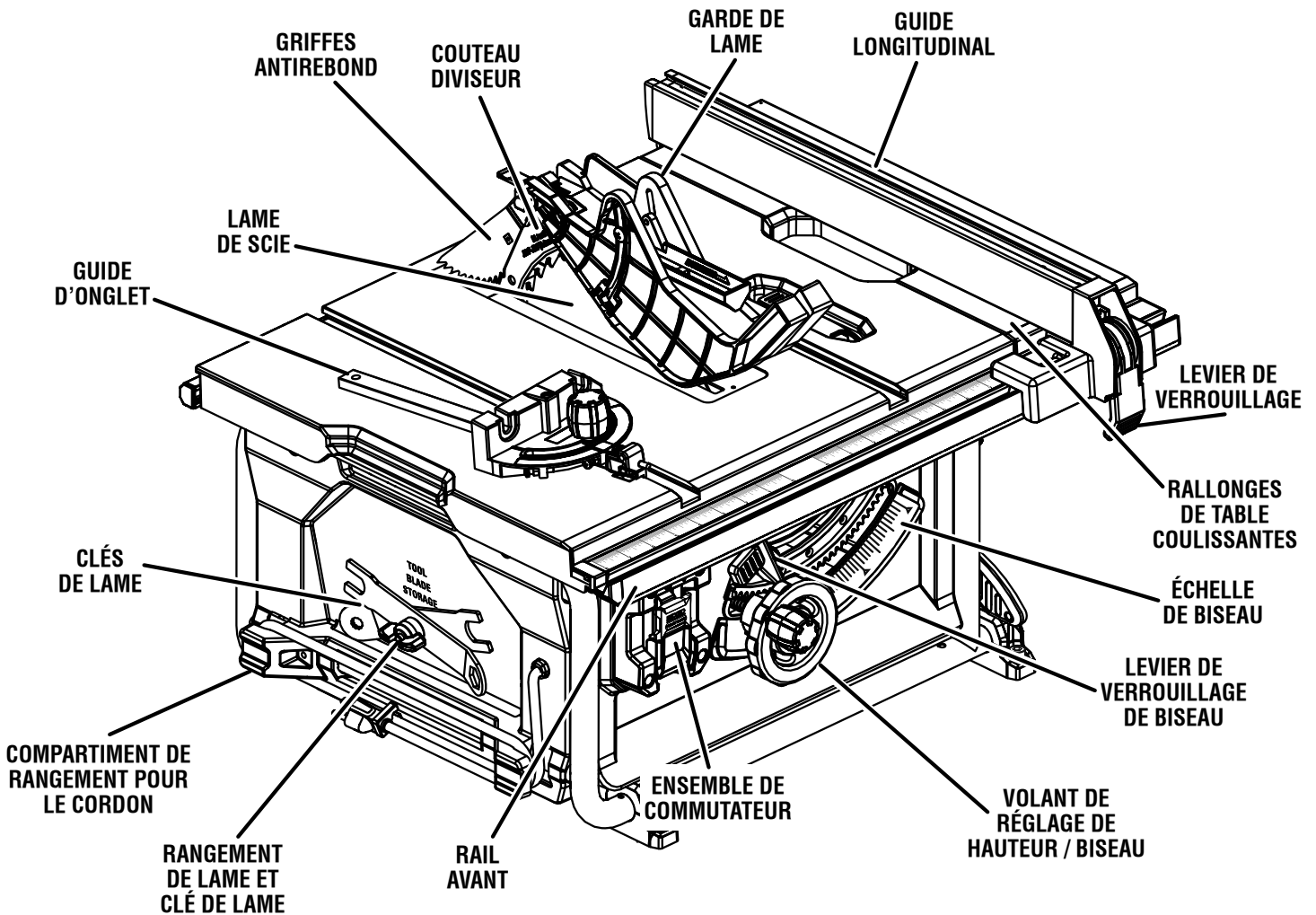


Fig. 2

CARACTÉRISTIQUES

POUR SE FAMILIARISER AVEC LA SCIE À TABLE

Voir la figure 2.

L'utilisation sûre de ce produit exige une compréhension des renseignements figurant sur l'outil et contenus dans le manuel d'utilisation, ainsi qu'une bonne connaissance du projet entrepris. Avant d'essayer d'utiliser ce produit, se familiariser avec toutes ses fonctions et tous ses dispositifs de sécurité.

GRIFFES ANTIREBOND - Le rebond pose un danger : la pièce de bois est projetée vers l'utilisateur. Les dents des détachable griffes antirebond sont orientées à l'écart de la pièce. Si la pièce est tirée en direction de l'opérateur, les griffes mordent dans le bois pour empêcher ou réduire le rebond.

LEVIER DE VERROUILLAGE DE BISEAU - Ce levier, placé juste au-dessous de la surface de la table de travail à l'avant du bâti, verrouille le réglage d'angle de la lame.

ÉCHELLE DE BISEAU - L'échelle facile à lire du devant du bâti indique l'angle exact de la lame.

LAME - Pour le fonctionnement optimal, il est recommandé d'utiliser la lame de 254 mm (10 po) au carbure dents à usages multiples fournie avec votre scie. La lame est élevée et abaissée au moyen du volant de réglage de hauteur / biseau. Les angles de biseau sont verrouillés au moyen du levier de verrouillage de biseau. Des lames supplémentaires de même haute qualité sont disponibles pour des tâches spécifiques telles que le sciage en long. Vous pouvez trouver toute l'information chez votre concessionnaire local.

La trait de scie lame doit être dans les limites affranchies sur le couteau diviseur.

AVERTISSEMENT :

Ne pas utiliser de lames dont la vitesse de rotation nominale est inférieure à celle de l'outil.
Le non-respect de cet avertissement pourrait entraîner des blessures graves.

GARDE DE LAME - Toujours laisser la détachable garde de lame abaissée sur la lame pour des coupes transversantes.

VOLANT DE RÉGLAGE DE HAUTEUR / BISEAU - Situé sur le devant du bâti, ce volant permet d'abaisser et relever la lame pour effectuer les réglages ou les remplacements et pour l'ajustement des angles de biseau.

GUIDE D'ONGLET - Le guide d'onglet aligne la pièce pour les coupes transversales. Le rapporteur facile à lire indique l'angle exact pour la coupe de l'onglet et présente des butées fixes à 90 et 45°.

RAINURES DE GUIDE D'ONGLET - Le guide d'onglet se déplace dans les rainures de la table de scie.

GUIDE LONGITUDINAL - Un robuste guide métallique, verrouillé par une poignée, guide la pièce à couper. Des rainures s'étendent sur le haut et les côtés du guide longitudinal pour permettre l'utilisation de serre-joints et d'accessoires optionnels.

ÉCHELLE DE REFENTE - Sur le rail avant, l'échelle de refente facile à lire donne des mesures précises pour les coupes longitudinales.

COUTEAU DIVISEUR - Pièce de détachable métal de l'ensemble de garde de lame, légèrement plus mince que la lame, gardant le trait de scie ouvert pour empêcher le rebond. Quand dans le hors du passage tête de coupe, ou « en haut » la position, le c'est plus haut que la lame de scie. Quand dans le coupes non traversante, ou « en bas » la position, le c'est au dessous des dents de lame de scie.

RALLONGES DE TABLE COULISSANTES - Situées de chaque côté de la table de scie, ces rallonges procurent un support additionnel lors de la coupe de pièces larges.

Démarrage en DOUCEUR - Cette scie est dotée d'un dispositif de démarrage en DOUCEUR. CE DISPOSITIF amène progressivement le moteur à sa vitesse de fonctionnement en réduisant de façon électronique la charge et le couple au démarrage. LE DÉMARRAGE en douceur minimise la possibilité d'un déclenchement des disjoncteurs.

ENSEMBLE DE COMMUTATEUR - La scie à table est dotée d'un ensemble de commutateur facile d'accès, se trouvant au-dessous du rail avant. Pour verrouiller le commutateur en position **ARRÊT**, retirer la clé du commutateur. Placer la clé dans un lieu inaccessible aux enfants et personnes non qualifiées pour utiliser l'outil.

CARACTÉRISTIQUES

COMPOSANTS FONCTIONNELS

La partie supérieure de la lame traverse la table et elle est entourée par un insert appelé plaque à gorge. La hauteur de la lame est ajustée par un volant de réglage situé à l'avant du bâti. Des instructions détaillées pour les coupes élémentaires se trouvent dans la section *Utilisation* de ce manuel : coupes transversales, coupes d'onglet, coupes en biseau et coupes composées.

Le guide longitudinal permet de positionner les pièces à couper dans le sens de la longueur. Une échelle graduée à l'avant de la table de la scie indique la distance entre le guide longitudinal et la lame.

Il est impératif d'utiliser la garde de lame pour toutes les coupes traversantes. L'ensemble de garde de lame comprend : le couteau diviseur, les griffes antibond et la garde de lame.

ENSEMBLE DE COMMUTATEUR

Voir la figure 3.

Ce produit est équipé d'un ensemble de commutateur avec dispositif de verrouillage intégré. Ce dispositif est conçu pour empêcher l'utilisation non autorisée et potentiellement dangereuse par des enfants ou personnes non compétentes.

POUR METTRE LA SCIE EN MARCHÉ :

- La clé étant insérée dans le commutateur, le relever pour mettre la scie en marche (I).

POUR ARRÊTER LA SCIE :

- Abaisser le commutateur en position d'arrêt (O).

POUR VERROUILLER LA SCIE :

- Abaisser le commutateur.
- Retirer la clé du commutateur et la ranger en lieu sûr.

AVERTISSEMENT :

Lorsque l'outil n'est pas en usage, **TOUJOURS** retirer la clé et la ranger en lieu sûr. En cas de panne secteur, mettre le commutateur en position d'arrêt (O) et retirer la clé. Ceci empêchera un démarrage accidentel lorsque le courant est rétabli.

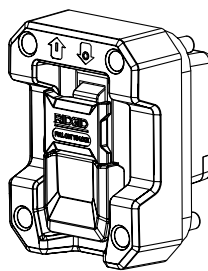
AVERTISSEMENT :

TOUJOURS s'assurer que la pièce n'est pas en contact avec la lame avant de mettre le commutateur de l'outil en position de marche. Ne pas prendre cette précaution peut causer le rebond de la pièce en direction de l'opérateur et entraîner des blessures graves.

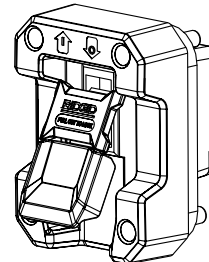
AVERTISSEMENT :

Pour réduire le risque de démarrage accidentel, toujours s'assurer que le commutateur est en position, d'arrêt (O) avant de brancher l'outil.

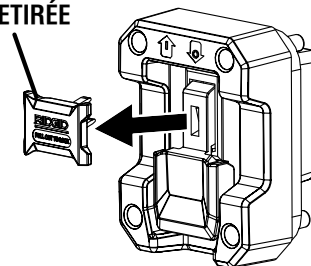
COMMUTATEUR EN POSITION D'ARRÊT



COMMUTATEUR EN POSITION DE MARCHÉ



CLÉ DE COMMUTATEUR RETIRÉE



COMMUTATEUR EN POSITION VERROUILLÉE

Fig. 3

OUTILS NÉCESSAIRES

Les outils suivants (non inclus ou dessiné pour escalader) sont nécessaires pour l'assemblage et les réglages :

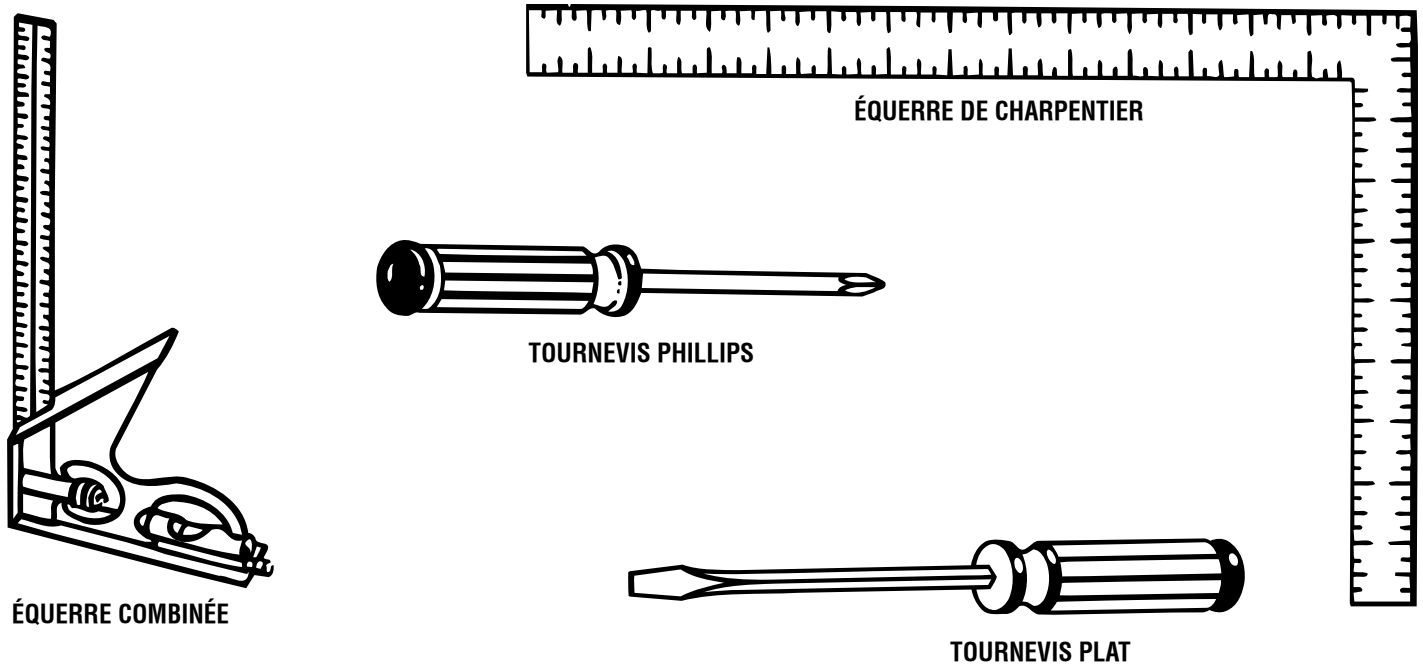


Fig. 4

PIÈCES DÉTACHÉES

Les articles suivants sont inclus avec la scie à table :

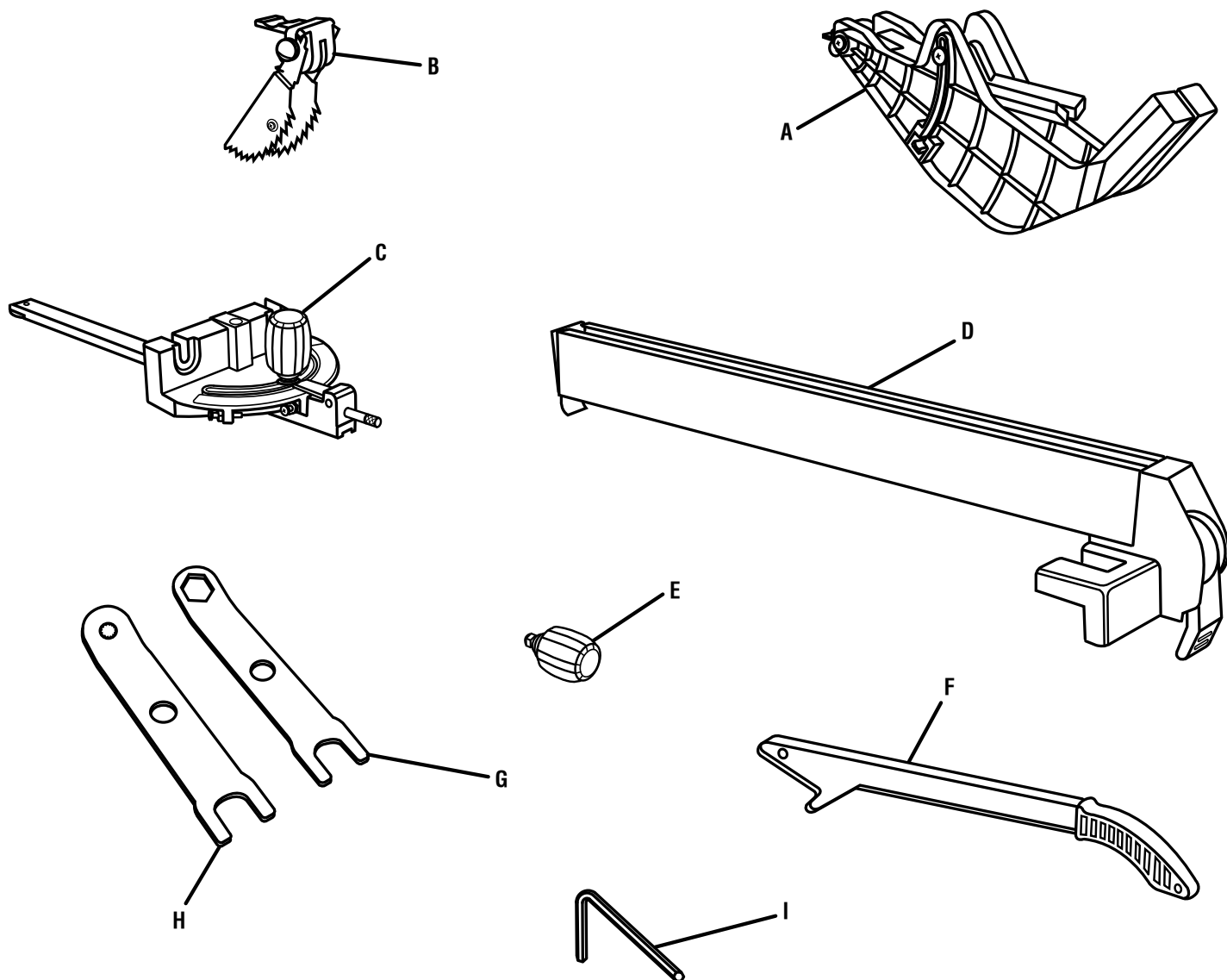


Fig. 5

A. Garde de lame	1	F. Bâton poussoir	1
B. Griffes antirebond	1	G. Clé à lame, grosse	1
C. Guide d'onglet	1	H. Clé à lame, petite	1
D. Guide longitudinal	1	I. Hex Key, 5 mm	1
E. Ensemble de poignée	1		

ASSEMBLAGE

DÉBALLAGE

Ce produit doit être assemblé.

- Sortir la scie du carton avec précaution et la poser sur un plan de travail stable.

AVERTISSEMENT :

Ne pas utiliser le produit si, en le déballant, vous constatez que des éléments figurant dans la liste des pièces détachées sont déjà assemblés. Certaines pièces figurant sur cette liste n'ont pas été assemblées par le fabricant et exigent une installation. Le fait d'utiliser un produit qui a été assemblé de façon inadéquate peut entraîner des blessures.

-
- Examiner soigneusement l'outil pour s'assurer que rien n'a été brisé ou endommagé en cours de transport.
 - Ne pas jeter les matériaux d'emballage avant d'avoir soigneusement examiné l'outil et avoir vérifié qu'il fonctionne correctement.

NOTE : Retirer le bloc de mousse placé entre le boîtier de la scie et le moteur par biseau premièrement la lame (voir la page 24).

- La scie est réglée en usine pour effectuer une coupe précise. Après l'avoir assemblée, vérifier sa précision. Si les réglages ont été modifiés en cours d'expédition, voir les procédures spécifiques présentées dans ce manuel.
- Si des pièces manquent ou sont endommagées, téléphoner au 1-866-539-1710.

AVERTISSEMENT :

Si des pièces manquent ou sont endommagées, ne pas utiliser ce produit avant qu'elles aient été remplacées. Le fait d'utiliser ce produit même s'il contient des pièces endommagées ou s'il lui manque des pièces peut entraîner des blessures graves.

AVERTISSEMENT :

Ne pas essayer de modifier cet outil ou de créer des accessoires non recommandés pour l'outil. De telles altérations ou modifications sont considérées comme un usage abusif et peuvent créer des conditions dangereuses, risquant d'entraîner des blessures graves.

AVERTISSEMENT :

Ne pas brancher sur le secteur avant d'avoir terminé l'assemblage. Le non respect de cet avertissement peut causer un démarrage accidentel, entraînant des blessures graves.

AVERTISSEMENT :

Ne pas soulever la scie sans aide. La tenir la près du corps. Garder les genoux pliés et soulever avec les jambes et non avec le dos. Le non respect de ces précautions pourrait résulter en une blessure au dos.

AVERTISSEMENT :

Ne jamais se tenir en ligne avec la lame ou laisser les mains approcher la lame à moins de 76,2 mm (3 po). Ne pas essayer de passer la main au-dessus ou au-delà de la lame. Le non-respect de cette mise en garde peut entraîner des blessures graves.

ASSEMBLAGE

AVERTISSEMENT :

Pour éviter des blessures graves, toujours s'assurer que la scie à table est solidement fixée sur un établi ou un stand approuvé. NE JAMAIS utiliser la scie posée sur le sol.

TROUS DE FIXATION

La scie à table doit être montée solidement sur un plan de travail ferme, tel qu'un établi ou un stand, qui positionne la table à scie à la hauteur de la taille. Pour ce faire, la base de la scie comporte quatre trous. Ces quatre trous doivent être utilisés pour fixer la scie sur le plan de travail au moyen de quatre boulons de 6,35 mm (1/4 po), rondelles et écrous à six pans (non inclus). Les boulons doivent être assez longs pour traverser la base de la scie, les rondelles frein, les écrous et l'établi. Serrer les quatre boulons fermement.

Une fois le montage terminé, vérifier soigneusement l'établi pour s'assurer qu'aucun mouvement ne peut se produire en cours d'utilisation. Si l'établi bascule, glisse ou se déplace, l'assujettir sur le sol avant d'utiliser la scie.

POUR RANGER LES ACCESSOIRES

Voir les figures 6 et 7.

La scie à table comporte deux systèmes de rangement commodes (un de chaque côté du bâti) spécialement conçus pour les accessoires de la scie.

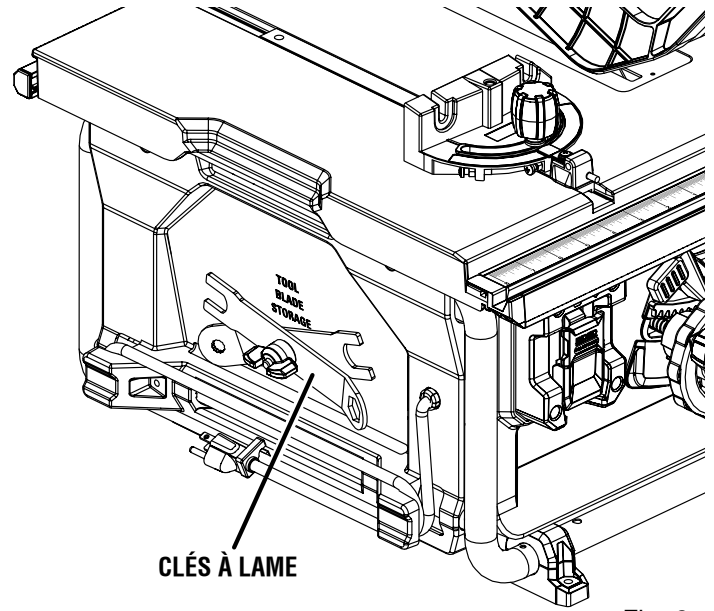


Fig. 6

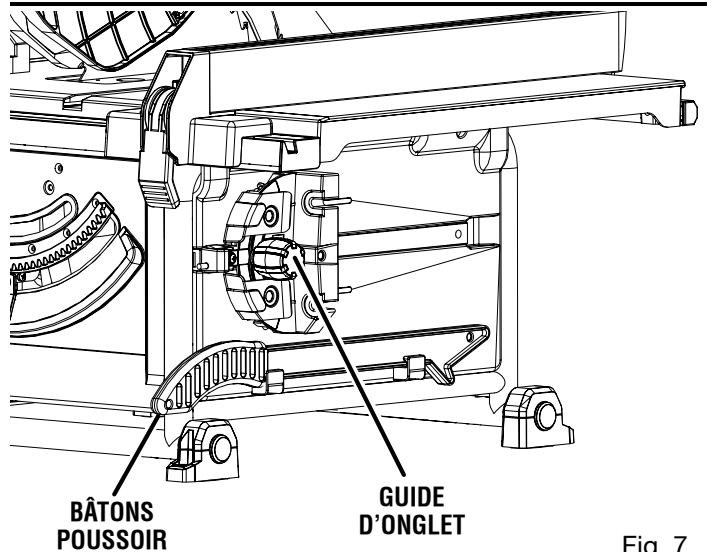


Fig. 7

ASSEMBLAGE

INSTALLATION DE LA MANETTE DE ENSEMBLE

Voir la figure 8.

- Retirer le capuchon de la ensemble de poignée à l'aide d'un tournevis plat.
- Tenir fermement l'écrou de blocage et tourner la vis vers la gauche pour retirer complètement l'écrou.
NOTE : Ne pas retirer la vis de la poignée ou la rondelle de l'extrémité de la vis.
- Insérer l'écrou de blocage dans le trou en retrait du volant de réglage de hauteur / biseau et le maintenir en place.
- Insérer la poignée, munie de la vis et de la rondelle dans le trou du volant de réglage de hauteur / biseau.
- Serrer la vis en la tournant vers la droite avec un tournevis plat.
- Remettre le capuchon en place sur la poignée.

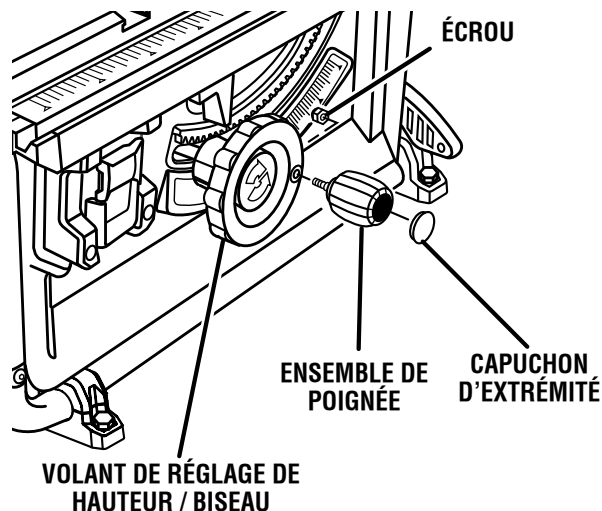


Fig. 8

RETRAIT / REMPLACEMENT DE LA PLAQUE À GORGE

Voir la figure 9.

⚠ AVERTISSEMENT :

La plaque à gorge doit être au ras de la table de scie. Si la plaque à gorge est trop haute ou trop basse, la pièce de bois peut accrocher les bords inégaux et causer un blocage ou un rebond entraînant des blessures graves. Vérifier que la plaque à gorge est correctement positionnée. Si la plaque à gorge n'est pas de niveau, ne pas tenter d'utiliser la scie. Communiquer avec le service à la clientèle pour obtenir de l'aide.

- Abaisser la lame en tournant le volant de réglage de hauteur / biseau vers la droite.
- Pour enlever la plaque à gorge, placer votre index doigt dans le trou et puis soulevez l'extrémité avant et tirez-la vers l'avant de la scie.
- Pour réinstaller la plaque à gorge, la première glisser la languette dans la fente de l'arrière de la scie et alors appuyer pour obtenir à sa place.

POUR CHANGER ENTRE UNE COUTEAU DIVISEUR

Voir la figure 10.

Cette scie est expédiée avec le couteau diviseur placé en la position « bas » pour les coupes de non traversante et doit être placé en la position « haut » pour autres opérations de coupe.

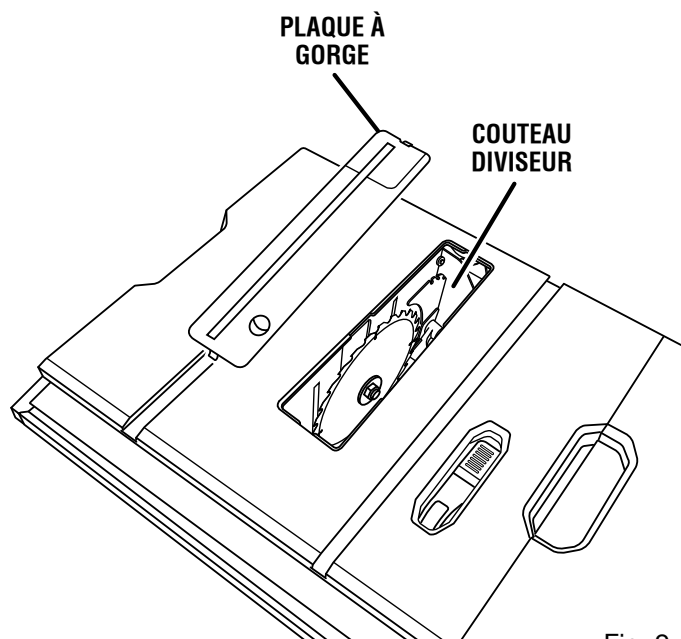


Fig. 9

⚠ ATTENTION :

Faire preuve de prudence lorsque vous mettez votre main à l'intérieur de la gorge de la scie circulaire à table. Le contact avec la lame, même si la lame est immobile peut entraîner des blessures aux mains ou aux bras.

- Débrancher la scie.

ASSEMBLAGE

Placer en la position « haut » pour tout par les coupes traversante :

- Retrait de la plaque à gorge.
- Élever la lame de scie en tournant le volant de réglage de hauteur / biseau vers la gauche.
- Ouvrir le levier de dégagement en le tirant en haut.
- S'emparer de l'écarteur et le tirer vers le côté droit de la scie pour relâcher l'écarteur du serre-joint de couteau diviseur.
- Le tire le couteau diviseur en haut jusqu'à ce que es goupilles internes sont engagées et le couteau diviseur c'est ci-dessus de la lame de scie.
- Verrouiller le levier de dégagement en appuyant le levier.

AVERTISSEMENT :

S'assurer que le levier de dégagement est entièrement appuyé. Si le levier de dégagement est difficile à verrouiller, nettoyer les composants à fond à l'aide d'air comprimé ou d'un chiffon propre et doux. À défaut de verrouiller le levier de dégagement complètement peut entraîner un changement de position du couteau diviseur lors de l'utilisation de la scie et peut causer des blessures corporelles graves.

- Réinstallez de la plaque à gorge.

Placer en la position « bas » pour tout par les coupes non traversante :

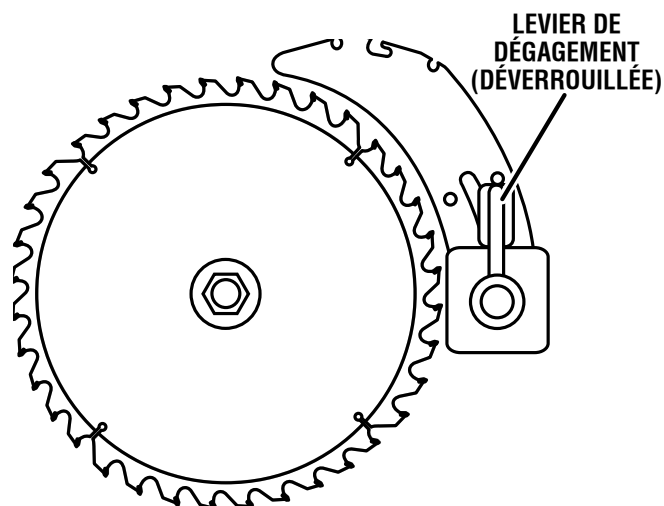
- Retirer de la plaque à gorge.
- Élever la lame de scie en tournant le volant de réglage de hauteur / biseau vers la gauche.
- Ouvrir le levier de dégagement en le tirant en haut.
- Appuyer le couteau diviseur jusqu'à ce que c'est au dessous de la lame de scie.
- Verrouiller le levier de dégagement en appuyant le levier.
- Réinstallez de la plaque à gorge.

VÉRIFICATION DE L'INSTALLATION DE LA LAME

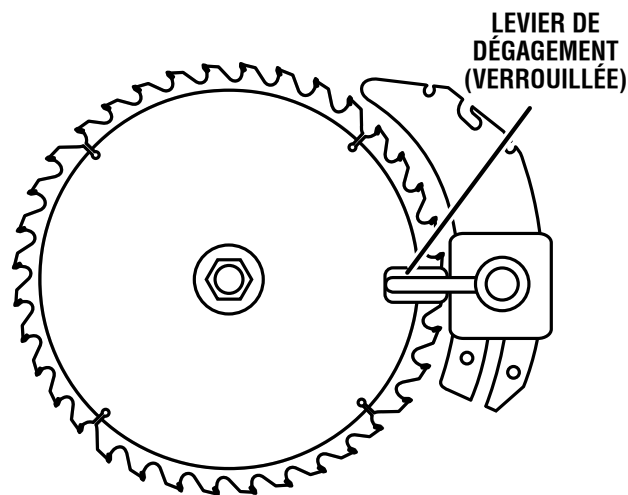
Voir la figure 11.

AVIS :

Pour que la lame fonctionne correctement, ses dents doivent être orientées vers le bas et l'avant de la scie. Sans cela, la lame, la scie ou la pièce à couper pourrait être endommagée.



EN « HAUT » POSITION POUR TOUT PAR TRAVERSANTE



EN « BAS » POSITION POUR TOUTE COUPE DE NON TRAVERSANTE

Fig. 10

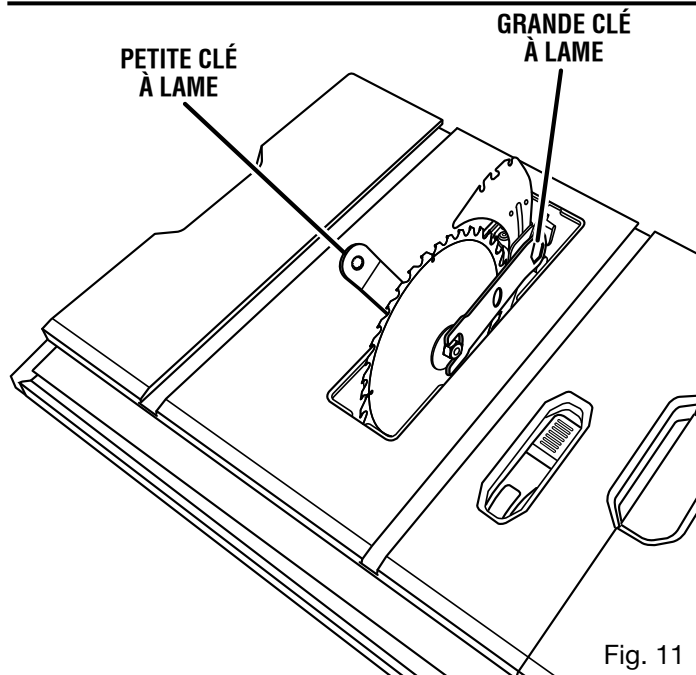


Fig. 11

ASSEMBLAGE

- Débrancher la scie.
- Abaisser la lame en tournant le volant de réglage de hauteur / biseau vers la droite.
- S'assurer que le levier de verrouillage de biseau est poussé à fond vers la gauche. Relever la lame au maximum en tournant le volant de réglage de hauteur / biseau vers la gauche.
- Placer le couteau diviseur en la posición « en haut ».

Pour desserrer la lame :

- Engager la plus petite des clés plates sur les méplats de l'axe d'entraînement.
- Engager l'extrémité fermée de la plus grande clé sur l'écrou. Saisir les deux clés fermement et tirer la plus grande vers l'avant de la machine.

Pour serrer la lame :

- Engager la plus petite des clés sur les méplats de l'axe d'entraînement.
- Engager l'extrémité fermée de la plus grande clé sur l'écrou. Saisir les deux clés fermement et tirer la plus grande vers l'arrière de la machine. S'assurer que l'écrou de lame est fermement serré. Ne pas trop serrer.
- Remettre la plaque à gorge.

Vérifier que la lame tourne librement, sans toucher quoi que ce soit. Voir **Vérification et alignement du couteau diviseur et la lame.**

INSTALLATION DE LA GRIFFES ANTIREBOND ET GARDE DE LAME

Voir les figures 12 à 14.

AVERTISSEMENT :

Toujours installer le garde de lame et les griffes antirebond sur le couteau diviseur vers le haut afin de protéger adéquatement la lame. L'installation de composants protecteurs sur le couteau diviseur dans toute autre position nuira au bon fonctionnement du couteau diviseur et augmentera le risque de blessures graves.

AVERTISSEMENT :

Remplacer des cliquets ternes ou endommagés griffes antirebond. Atténuer ou avoir endommagé des griffes ne peut pas arrêter un rebond augmentant les risques de blessures graves.

NOTE: Les griffes antirebond devraient être seulement installés pour coupes traversante.

- Débrancher la scie.
- Relever la lame de scie.
- Placer le couteau diviseur en la posición « en haut ».

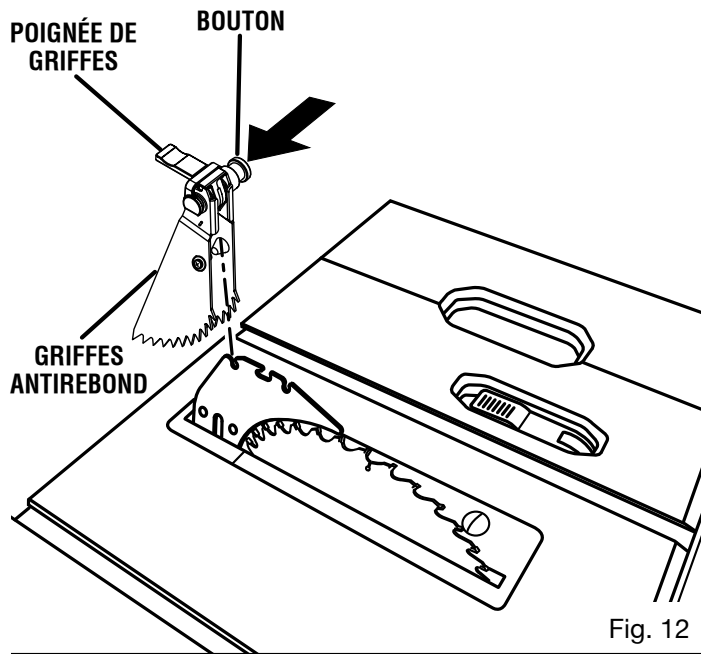


Fig. 12

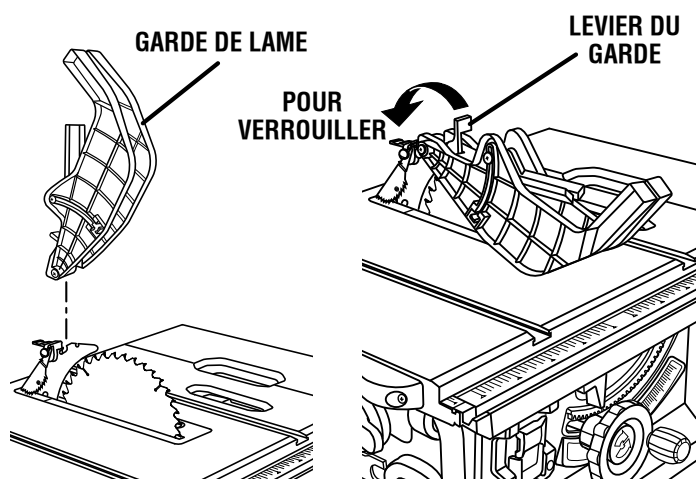


Fig. 13

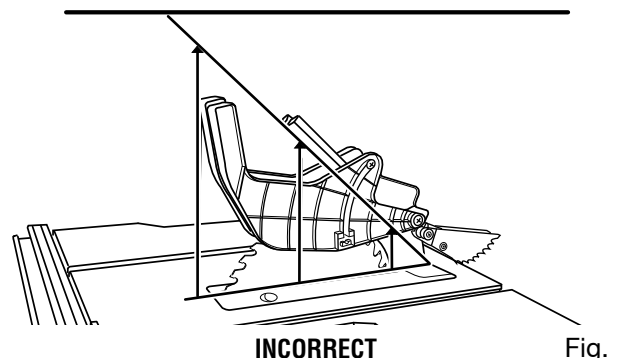
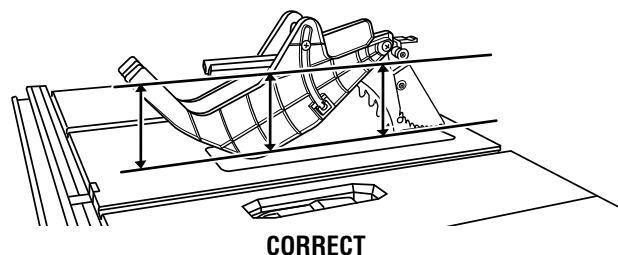


Fig. 14

ASSEMBLAGE

Installation la griffes antirebond :

- Appuyer et prise le bouton sur le côté droit la griffes antirbond.
- Aligner le fente dans les griffes sur le dernier encoche dans le couteau diviseur.
- Appuyer les poignée de griffes claquer que les pour placer les et relâchez le bouton.

NOTE : Tire la poignée pour assurer que les griffes sont assurément verrouillés.

Installation de garde de lame :

- Avec le devant du garde de lame a élevé et le levier de garde ouvert, abaisser le dos du garde dans le trou de milieu le couteau diviseur. Appuyer le devant du garde jusqu'à ce que **c'est parallèle à la table**. Si le garde de lame n'est pas parallèle la table, le couteau diviseur n'est pas dans « en haut » la position.

- Verrouiller le garde à sa place en appuyant le levier.

NOTE : L'alignement du couteau diviseur peut être réglé en fonction de différentes largeurs de lame. Voir : **Vérification et alignement du couteau diviseur et la lame.** Vérifier que la garde de lame fonctionne librement, sans heurter d'autres pièces.

VÉRIFICATION ET ALIGNEMENT DU COUTEAU DIVISEUR ET LA LAME

Voir la figure 15.

Vérification de l'alignement du couteau diviseur :

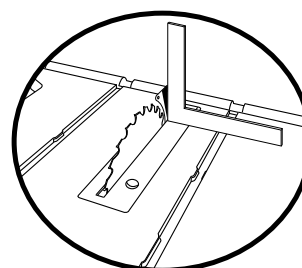
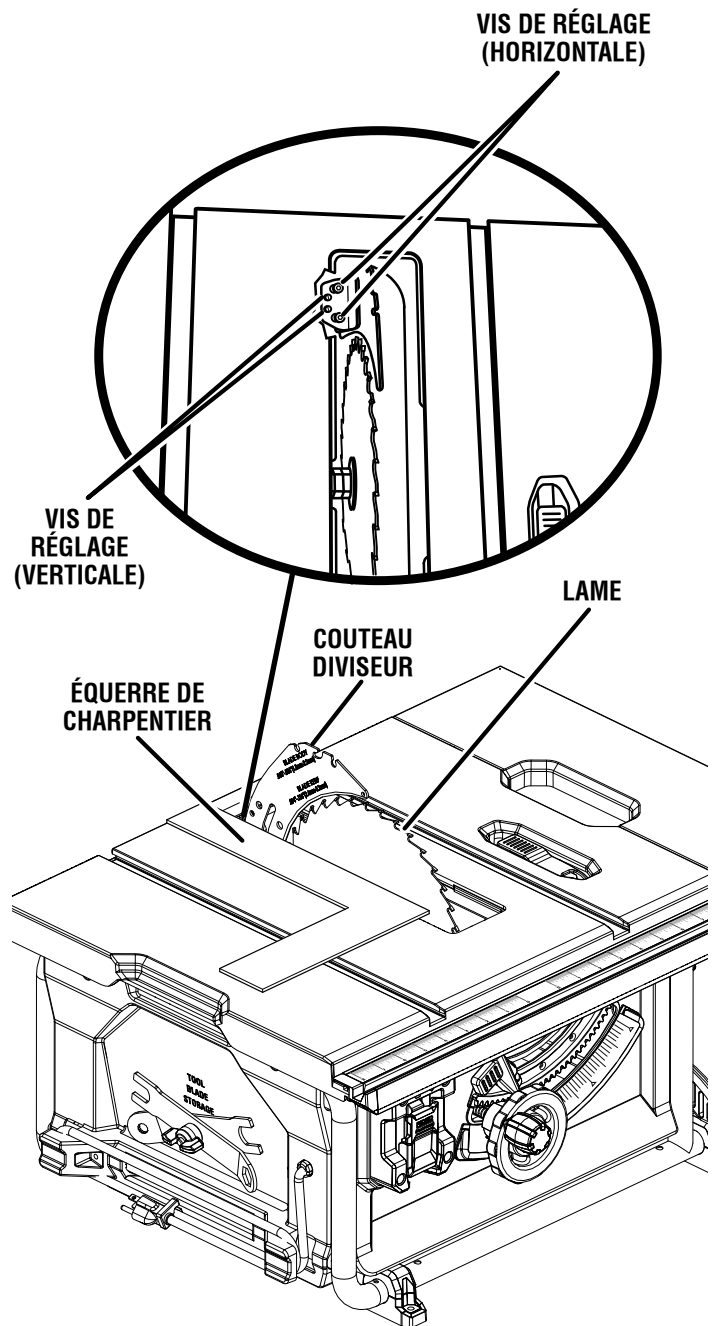
- Débrancher la scie.
- Élever la lame de scie en tournant le volant de réglage de hauteur / biseau vers la gauche.
- Retirer les griffes antirebond et ensemble de garde de lame. Placer une équerre de charpentier à côté de la lame et le couteau diviseur.

NOTE : Placez l'équerre de charpentier entre les dents à pointes carbure et mesurez à partir de la lame. Cette étape permet de s'assurer que l'équerre de charpentier est bien appliquée contre la lame de l'avant à l'arrière

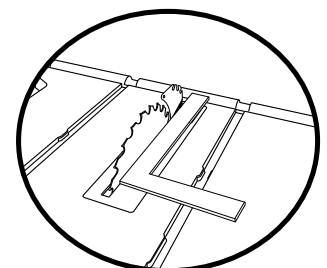
- La lame de la scie et le couteau diviseur sont alignés lorsque l'équerre de charpentier contacte la lame et le couteau diviseur uniformément, sans laisser d'espace.

Réglage (horizontale et verticale) :

- Retirer les griffes antirebond et ensemble de garde de lame.
- De l'arrière de la scie, desserrer les vis de réglage soutenant le ensemble support.
- Repositionner le couteau diviseur à ce que la lame soit parfaitement alignée sur le couteau diviseur.
- Une fois la garde correctement alignée, reserrer fermement toutes les vis.
- Vérifier de nouveau l'alignement et continuer à ajuster effectuer les réglages éventuels.



PRÉCISION VERTICALE



PRÉCISION HORIZONTALE

Fig. 15

UTILISATION

AVERTISSEMENT :

Ne pas laisser la familiarité avec les outils faire oublier la prudence. Ne pas oublier qu'une fraction de seconde d'inattention peut entraîner des blessures graves.

AVERTISSEMENT :

Toujours porter une protection oculaire certifiée conforme à la norme ANSI Z87.1. Si cette précaution n'est pas prise, des objets peuvent être projetés dans les yeux et causer des lésions graves.

AVERTISSEMENT :

Ne pas utiliser d'outils ou accessoires non recommandés pour cet outil. L'utilisation de pièces et accessoires non recommandés peut entraîner des blessures graves.

AVERTISSEMENT :

Bien que beaucoup des illustrations de ce manuel montrent la scie sans la garde de lame pour plus de clarté, la scie ne doit être utilisée sans la garde que si les instructions l'indiquent expressément.

AVERTISSEMENT :

La scie à table doit être montée solidement sur un plan de travail ferme à la hauteur de tailles, tel qu'un établi ou un stand. Bien que beaucoup des illustrations de ce manuel montrent la scie non montée pour plus de clarté, la scie ne doit être utilisée sans la garde que si les instructions l'indiquent expressément.

APPLICATIONS

Cet outil peut être utilisé pour les applications ci-dessous :

- Coupes en ligne droite telles que les coupes transversales, longitudinales, d'onglets, en biseau et composées
- La scie peut être utilisée pour le rainage et le moulurage, avec des accessoires en option
- Ébénisterie et menuiserie

NOTE : Cette scie à table est conçue pour couper du bois et de l'aggloméré uniquement.

UTILISATION ÉLÉMENTAIRE DE LA SCIE À TABLE

La fiche à 3 broches doit être branchée sur une prise appropriée, correctement installée et mise à la terre conformément à tous les codes et réglementations locaux en vigueur. Un branchement incorrect de l'équipement peut entraîner un choc électrique. Ne pas modifier la fiche si elle ne s'insère pas dans la prise. Faire installer une prise appropriée par un électricien qualifié. Voir la section *Caractéristiques Électricité* de ce manuel.

CAUSES DE REBONDS

Un rebond peut se produire lorsque la lame se bloque ou se coince et propulse violemment la pièce à couper en direction de l'opérateur. Si les mains se trouvent près de lame, elles pourraient être éjectées de la pièce et entrer en contact avec la lame. Un rebond peut causer des blessures graves. Prendre soin d'éviter les risques.

Le rebond peut être causé par toute action causant le pincement de la lame dans le bois. Par exemple :

- Réglage de profondeur de coupe incorrect
- Sciage de noeuds ou de clous dans le bois
- Déviation du bois en cours de coupe
- Pièce à couper non soutenue
- Coupe forcée
- Coupe de planches humides ou voilées
- Utilisation d'une lame inadéquate pour le type de coupe
- Ne pas suivre les procédures de travail correctes
- Utilisation incorrecte de la scie
- Non utilisation des griffes antirebond
- Coupe avec une lame émoussée, encrassée ou mal réglée

POUR ÉVITER LE REBOND

- Toujours utiliser le réglage de profondeur de coupe correct. La pointe des dents de la lame doit dépasser la pièce de 3,18 mm à 6,35 mm (1/8 po à 1/4 po).
- S'assurer de l'absence de noeuds ou de clous dans le bois avant de commencer une coupe. Retirer les noeuds décollés à l'aide d'un marteau. Ne jamais scier de noeuds décollés ou de clous.
- Toujours utiliser le guide longitudinal pour les coupes en long et le guide d'onglet pour les coupes transversales. Ceci évite la déviation du bois pendant la coupe.
- Toujours utiliser des lames propres, bien affûtées et correctement réglées. Ne jamais couper avec une lame émoussée.
- Afin d'éviter le pincement de la lame, soutenir la pièce avant de commencer la coupe.
- Appliquer une pression constante et régulière sur la pièce. Ne jamais forcer la coupe.
- Ne pas couper des planches humides ou voilées.

UTILISATION

- Utiliser la attention extra en coupant quelque prefinished ou les produits de bois de composition comme les griffes antirebond toujours ne peuvent pas être efficaces.
- Toujours diriger votre la pièce avec les deux mains ou avec des bâtons poussoirs et/ou blocs poussoirs. Se tenir bien campé afin de pouvoir la maîtriser en cas de rebond. Ne jamais se tenir en ligne avec la lame.
- L'usage d'un cale-guide aidera la prise la pièce assurément contre la table de scie ou le guide.
- Nettoyer la scie, le garde de lame, sous la plaque à gorge, et n'importe quels sciure où n'importe quelle poussière de scie ou les pièces de fragment peuvent rassembler.
- Utiliser des lames dont le type correspond au type de coupe.
- Toujours utiliser couteau diviseur pour chaque opération où il est permis. L'usage de cet appareil réduira fort le risque de rebond.

CONSEILS DE COUPE

Voir la figure 16.

Les bâtons poussoir permettent de pousser une pièce contre la lame en toute sécurité dans coupe longitudinal. En faisant les coupes de non traversante ou refente des planches étroites toujours utiliser un bâton poussoir, bloc poussoir et/ou cale-guide afin de ne pas risquer que les mains à moins de 76,2 mm (3 po) de la lame. Leur forme et taille peuvent varier en fonction du travail à exécuter et il peuvent être fabriqués avec une chute de bois. Le bâton doit être plus étroit que la pièce et présenter une découpe à 90° à une extrémité et découpe permettant de le saisir fermement à l'autre.

Un bloc poussoir est muni d'une poignée fixée par des vis noyées, insérées par le dessous. Il doit être utiliser pour les coupes non traversantes.

ATTENTION :

S'assurer que la vis du bloc poussoir est noyée afin qu'elle ne risque pas d'endommager la scie ou la pièce.

COMMENT FAIRE UNE SAUTEUSE (POUR LA COUPE LONGITUDINAL LA REFENTE DES PLANCHES PIÈCE)

Voir la figure 17.

Si refente des planches étroites place les mains ferment aussi à la lame, le ce sera nécessaire de faire et utiliser une sauteuse.

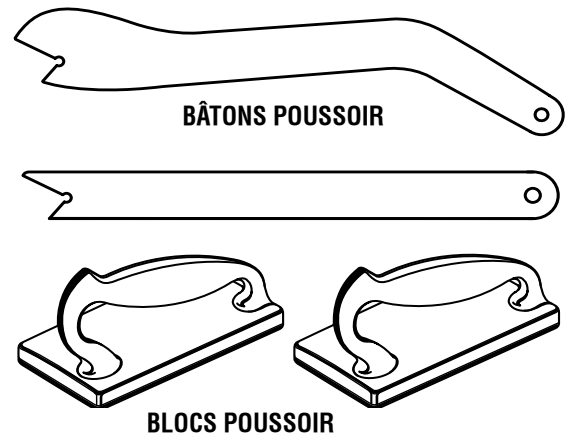


Fig. 16

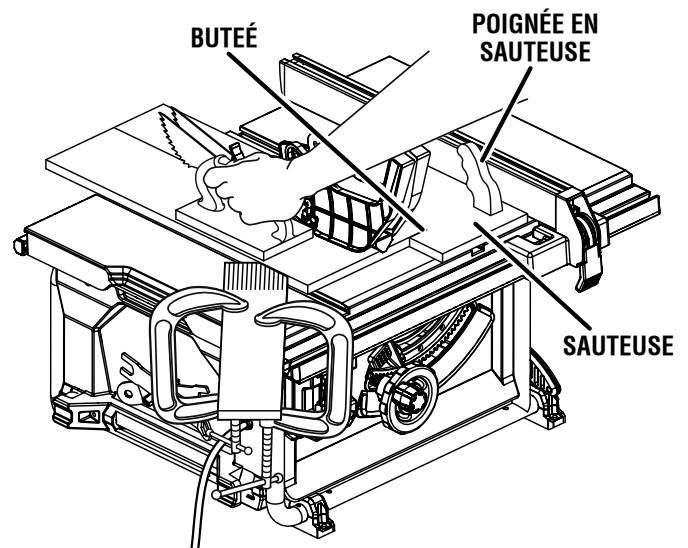


Fig. 17

Pour effectuer une sauteuse:

- Attacher une poignée à un morceau long et droit de bois et obtient du dessous utilisant des vis noyées.
- Couper un arrêt en forme de L dans le côté de la sauteuse.

Pour utiliser sauteuse:

- Disposer la pièce plate sur la table avec l'éclat de bord contre la sauteuse et contre butée.
- L'avoir la poignée de sauteuse et l'utilisation d'un bâton poussoir et/ou de bloc poussoir, faire la coupe longitudinal comme décrit plus loin dans cette section.

UTILISATION

CALE-GUIDE

Une cale-guide est un outil qui permet de contrôler la pièce en la retenant fermement contre la table ou le guide. Les cales-guides sont surtout utiles lors de coupes en long de petites pièces et de coupes non traversantes. L'extrémité est oblique, avec plusieurs courtes entailles permettant de maintenir la pièce par friction et les cales guide se fixent sur la table au moyen d'un serre-joint. Vérifier qu'elle peut résister à un rebond.

AVERTISSEMENT :

Placer la cale-guide contre la partie non coupée de la pièce afin d'éviter un rebond qui pourrait entraîner des blessures graves.

COMMENT FABRIQUER UNE CALE-GUIDE

Voir la figure 18.

La cale-guide est un excellent projet pour la scie. Sélectionner une planche de bois solide d'environ 19,1 mm (3/4 po) d'épaisseur environ, 92,1 mm (3-5/8 po) de large et 457 mm (18 po) de long. Marquer le centre de la largeur sur l'une des extrémités de la planche. Couper une des extrémités à 30° et l'autre à 45° (voir les instructions de coupe d'onglet, page 31). Marquer la planche à 152,4; 203,2; 254; et 304,8 mm de cette pointe et percer des trous de 9,53 mm (3/8 po) à ces endroits.

Préparer la scie pour une coupe longitudinale comme expliqué à la page 28. Régler le guide longitudinal afin de pouvoir couper un « doigt » d'environ 6,35 mm (1/4 po) dans la planche. Avancer la planche seulement jusqu'au repère de 152,4 mm (6 po). Arrêter la scie et attendre que la lame soit complètement immobilisée avant de retirer la planche. Ajuster le guide et effectuer des coupes longitudinales dans la pièce pour obtenir des entailles d'environ 6,35 mm (1/4 po), séparées de 3,18 mm (1/8 po).

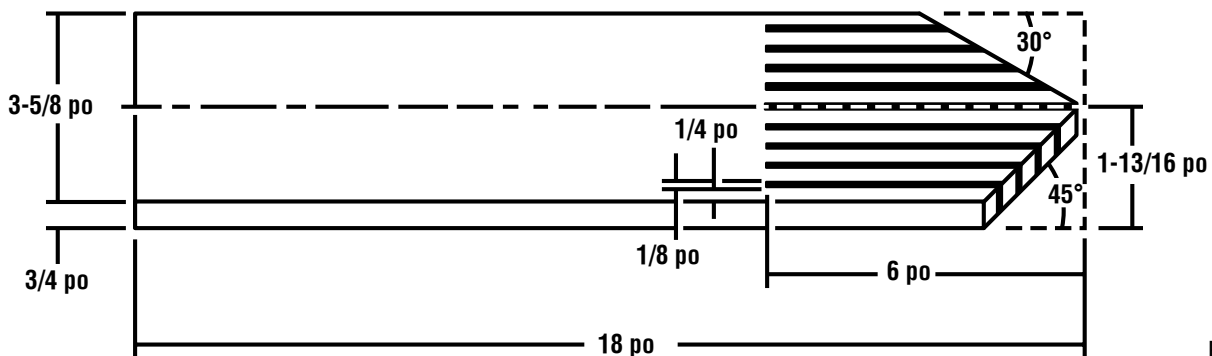


Fig. 18

COMMENT INSTALLER UNE CALE-GUIDE

Voir la figure 19.

Abaisser complètement la lame. Placer le guide longitudinal à la distance voulue de la lame pour la coupe et le verrouiller. Placer la pièce à couper contre le guide à proximité de la lame. Ajuster la cale-guide de manière à appliquer une résistance juste en avant de la lame. Utiliser un serre-joint pour mieux maintenir les cales-guides contre le bord de la table de la scie.

AVERTISSEMENT :

Le cale-guide doit être installé devant la lame. Ne pas placer la cale-guide à l'arrière de la lame. Le rebond peut être causé par le pincement de la pièce par la cale-guide et le blocage de la lame dans le trait de scie, lorsque l'entaille n'est pas correctement positionnée. Le non-respect de cette mise en garde peut entraîner des blessures graves.

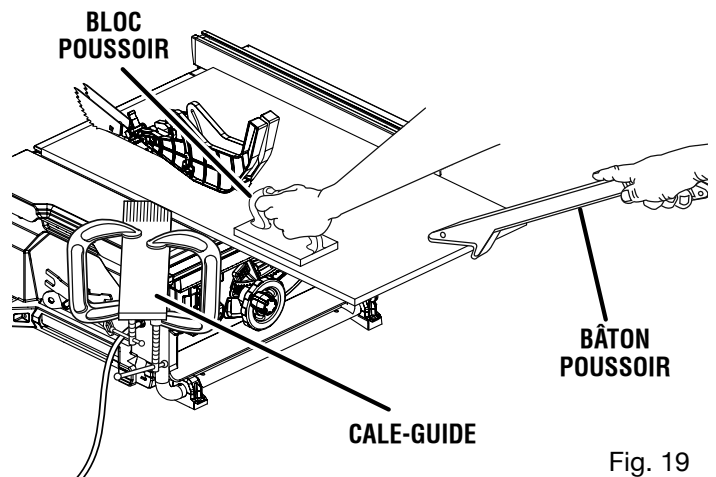


Fig. 19

UTILISATION

TYPES DE COUPE

Voir la figure 20.

Il y a six principaux types de coupe : 1) coupe transversale, 2) coupe longitudinale, 3) coupe d'onglet, 4) coupe transversale en biseau, 5) coupe en long en biseau et 6) coupe d'onglet composé (en biseau). Toutes les autres coupes sont des combinaisons de ces six types de coupe. Les méthodes de travail pour chaque type de coupe sont expliqués plus loin dans cette section.

AVERTISSEMENT :

Toujours s'assurer que la garde de lame et les griffes antirebond sont en place et fonctionnent correctement pendant les coupes afin d'éviter le risque de blessures.

Les coupes transversales sont des coupes droites à 90° effectuées en travers du grain de la pièce de bois. La pièce est engagée à 90° par rapport à la lame et celle-ci est verticale.

Les coupes longitudinales sont effectuées dans le sens du grain du bois. Afin d'éviter tout rebond pendant une coupe en long, s'assurer qu'un des côtés de la pièce de bois est fermement appuyée contre le guide.

Les coupes d'onglet sont celles effectuées avec la planche sur toute position autre que 90°. La lame est verticale. Les planches ont tendance à glisser pendant la coupe d'onglets. Cela peut être contrôlé en maintenant la pièce fermement contre le le guide d'onglet.

AVERTISSEMENT :

Toujours utiliser un bâton poussoir lors de la coupe longitudinale de pièces longues et étroites afin d'éviter que les mains n'approchent trop de la lame.

Les coupes en biseau sont effectuées avec la lame en biais. Les coupes transversales en biseau sont effectuées contre le grain du bois et les coupes en long en biseau dans le sens du grain. Le guide longitudinal doit toujours se trouver sur le côté droit de la lame pour les coupes en long en biseau.

Les coupes d'onglet composé (ou en biseau) sont effectuées avec une lame en biais la pièce étant placée en oblique par rapport à la lame. Bien se familiariser avec les coupes transversales, longitudinales, en biseau et d'onglets avant d'essayer d'exécuter une coupe d'onglet composée.

CONSEILS DE COUPE

Les rainages et feuillures sont des coupes non traversantes qui peuvent être soit longitudinales, soit transversales. Lire attentivement et veiller à bien comprendre toutes les sections de ce manuel d'utilisation avant d'entreprendre une coupe quelconque.

AVERTISSEMENT :

Ne pas utiliser de lames dont la vitesse de rotation nominale est inférieure à celle de l'outil. Le non respect de cet avertissement pourrait entraîner des blessures graves.

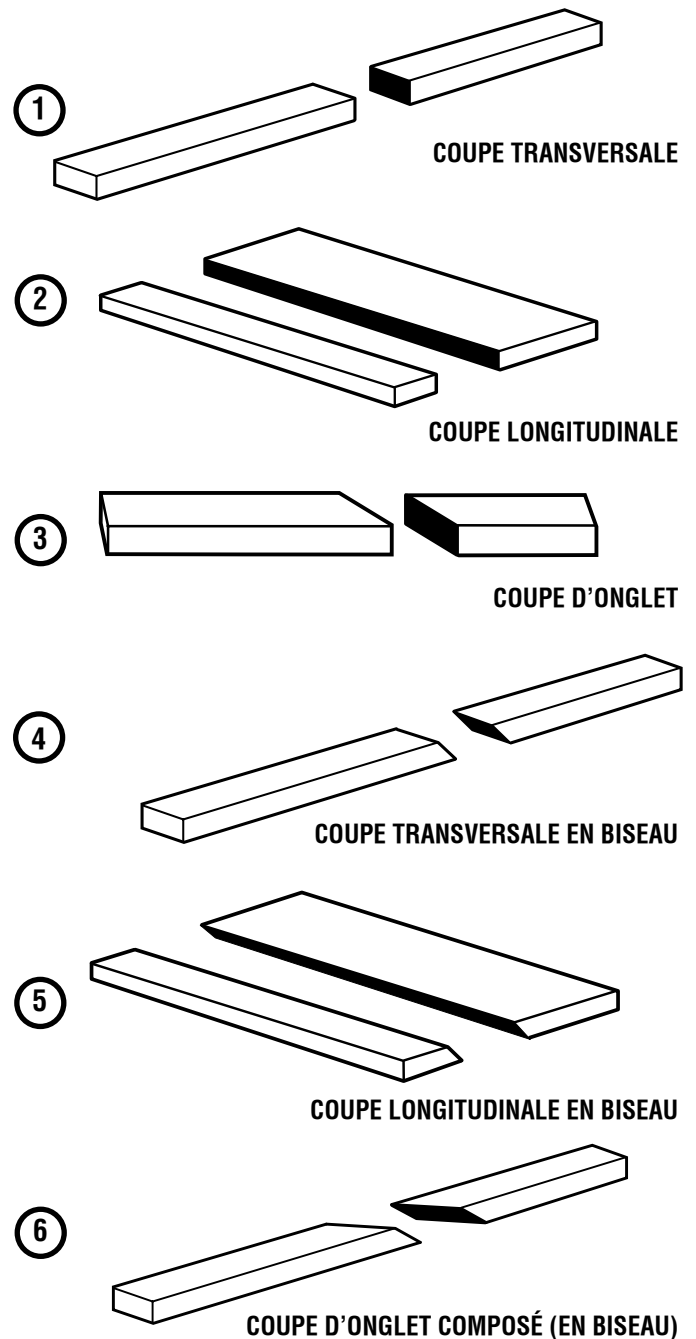


Fig. 20

- Le trait de scie (entaille pratiquée par la lame dans le bois) sera plus large que la lame afin d'éviter une surchauffe ou un blocage. Lors des mesures, ne pas oublier tenir compte du trait de scie.
- S'assurer que le trait de scie est effectué sur le côté chute de la ligne de mesure.
- Couper le bois côté fini vers le haut.
- Retirer les noeuds décollés à l'aide d'un marteau avant d'effectuer la coupe.
- Toujours utiliser un support adéquat sous une planche à la sortie de la scie.

UTILISATION

RÉGLAGE DE LA PROFONDEUR DE LAME

Voir la figure 21.

La profondeur de coupe doit être réglée pour que les pointes extérieures des dents de la lame dépassent la pièce de bois d'environ 3 à 6,35 mm (1/8 à 1/4 po) mais que les points les plus bas (creux) soient au-dessous de la surface supérieure de la pièce.

- Relever la lame en tournant le volant de réglage de hauteur / biseau vers la gauche.
- L'abaisser en tournant le volant de réglage vers la droite.

RÉGLAGE DE L'ANGLE DE LAME (BESEAU)

Voir la figure 22.

NOTE : Pour une coupe à 90°, le réglage de biseau est de 0° et pour une coupe à 45°, le réglage est de 45°.

- Débrancher la scie.
- Déverrouiller le levier de verrouillage de biseau en poussant le levier à fond vers la droite.
- Ajuster l'angle de biseau en poussant le volant en direction de la scie afin de pouvoir le tourner. Tourner le volant vers la gauche pour augmenter l'angle de la lame, en direction de la position 45°. Tourner le volant vers la droite, pour réduire l'angle de la lame, en direction de la position 90°.
- Verrouiller le levier de verrouillage de biseau en poussant le levier à fond vers la gauche.

RÉGLAGE DE L'INDICATEUR DE BISEAU

Voir la figure 23.

Si l'indicateur de biseau n'est pas sur zéro lorsque la lame de la scie est à 0°, le régler en desserrant la vis et en le plaçant sur la graduation 0° de l'échelle de biseau. Resserrer la vis.

AVERTISSEMENT :

Pour réduire le risque de blessures, toujours vérifier que le guide longitudinal est parallèle à la lame avant de commencer une coupe.

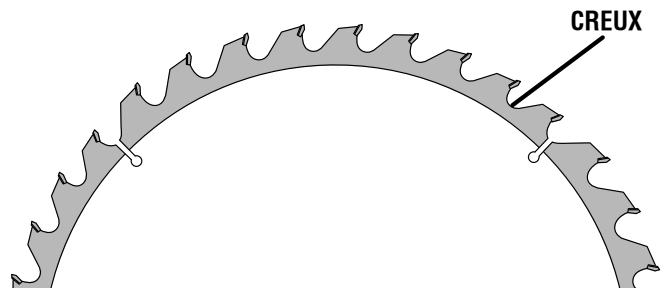


Fig. 21

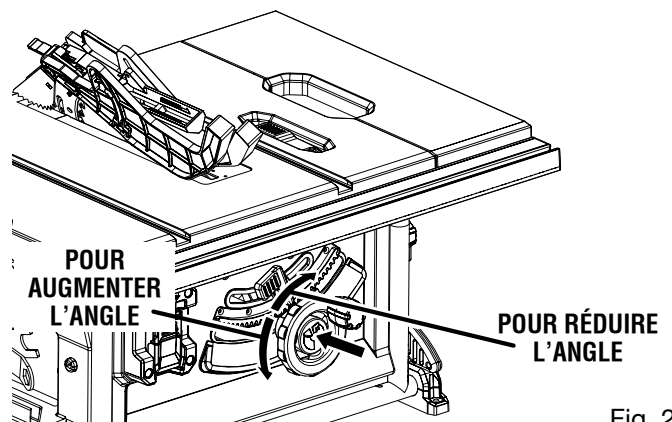
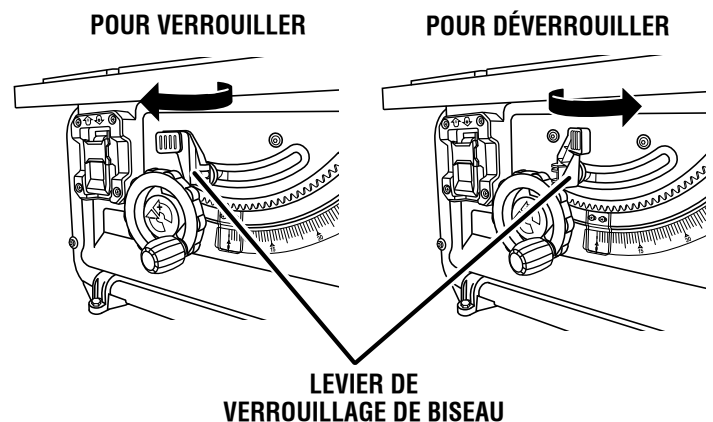


Fig. 22

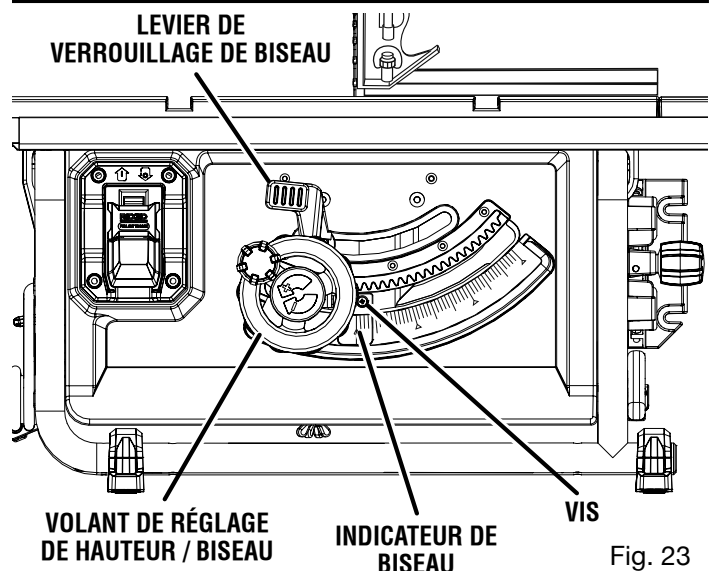


Fig. 23

UTILISATION

POUR RÉGLER L'ÉCHELLE GRADUÉE SUR LA LAME

Voir la figure 24.

Utiliser l'indicateur sur le guide longitudinal pour positionner le guide par rapport à l'échelle sur le rail devant.

NOTE : Le griffe antibond et ensemble de garde de lame doit être retirée pour effectuer ce réglage. Une fois le réglage effectué, réinstaller le garde de lame.

Commencer avec la lame réglée sur zéro degré (à la verticale).

- Débrancher la scie.
- Desserrer le guide longitudinal en relevant le levier de verrouillage.
- À l'aide d'une équerre de charpentier, régler le guide longitudinal à 50,8 mm (2 po) de la pointe des dents de la lame, puis relâchez le levier.
- Desserrer la vis de l'indicateur et placer ce dernier sur la graduation 50,8 mm (2 po), comme illustré.
- Resserrer la vis, puis vérifier la dimension et la position du guide longitudinal.

UTILISATION DU GUIDE LONGITUDINAL

Voir la figure 25.

- Desserrer le guide longitudinal en relevant le levier de verrouillage.
- Placer le rebord arrière du guide sur l'arrière de la scie à table et le tirer légèrement vers l'avant.
- Abaisser l'extrémité avant sur les surfaces de guide du rail avant.
- Vérifier la facilité du glissement.
- Placer le guide longitudinal à la distance voulue de la lame.
- Avec le guide longitudinal plate sur la table de scie, pousser la guide vers le rail avant pour aligner la guide à la rainure du guide d'onglet.
- Abaisser le levier de verrouillage pour aligner et bloquer le guide. Si bien verrouillé, le levier de verrouillage devrait être orienté vers le bas.

Vérifiez la facilité du glissement. S'il y a besoin d'ajustements, S'assurer que le guide glisse librement. Si des réglages sont nécessaires, voir **Vérification de l'alignement du guide longitudinal sur la lame** à la section *Réglages* de ce manuel.

UTILISATION DU GUIDE D'ONGLET

Voir la figure 26.

Le guide à onglet permet d'effectuer des coupes angulaires avec de précision. Il est recommandé d'effectuer des coupes d'essai lorsque les tolérances sont réduites.

Il y a deux rainures de guide d'onglet, une de chaque côté de la lame. Elle peuvent toutes deux être utilisées pour les coupes transversales à 90°. Lors des coupes transversales en biseau (lame inclinée par rapport à la table), le guide d'onglet doit être placé dans la rainure de droite, de manière à ce que la lame soit inclinée dans la direction opposée au guide et à la main de l'opérateur.

Le guide d'onglet peut être tourné de 60° à droite ou à gauche.

- Glisser le guide d'onglet dans la fente du guide d'onglet.

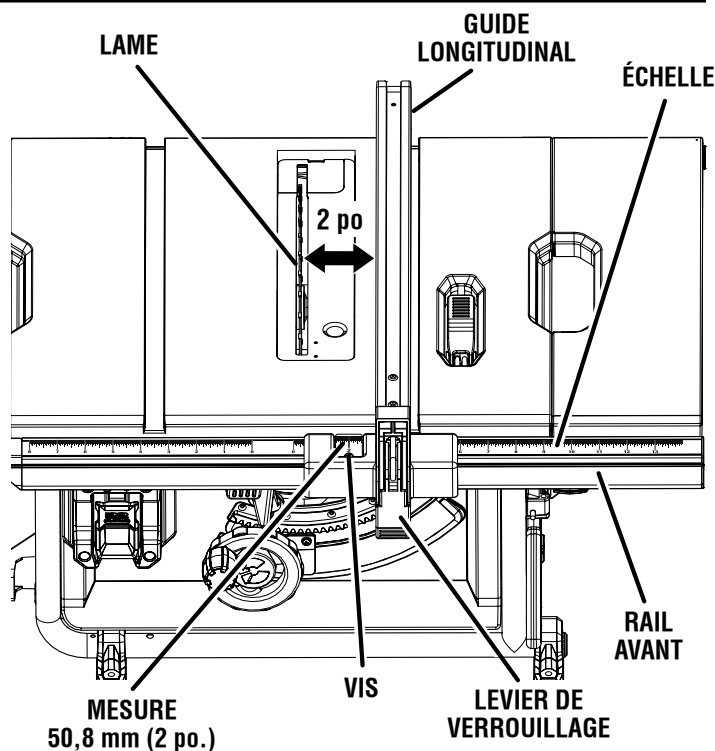


Fig. 24

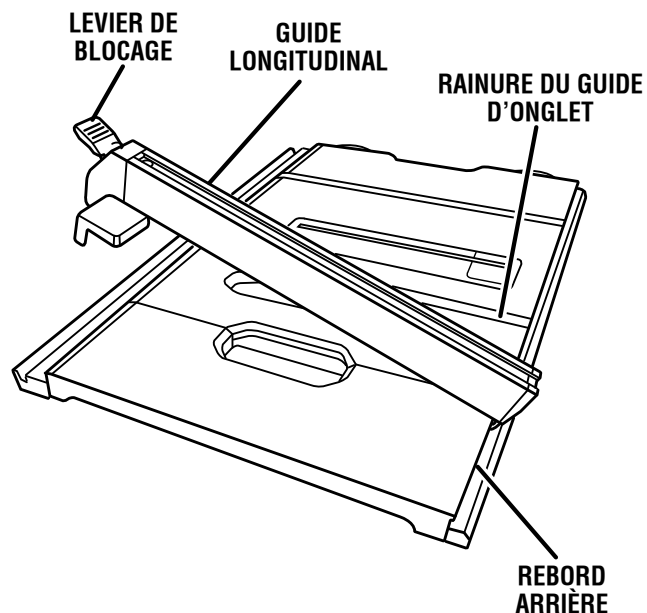


Fig. 25

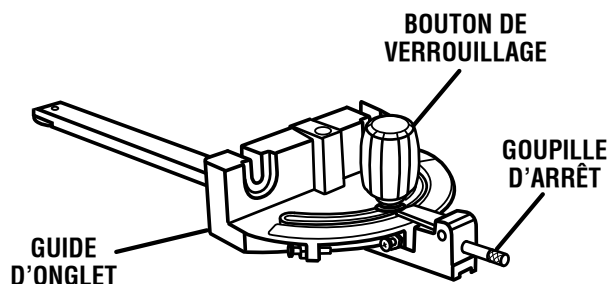


Fig. 26

UTILISATION

- Desserrer la poignée de verrouillage en la tournant dans le sens contraire à celui des aiguilles d'une montre.
- Retirer la goupille d'arrêt et tournez le guide jusqu'à obtenir l'inclinaison désirée sur l'échelle.
- Resserrer la poignée de verrouillage en la tournant dans le sens des aiguilles d'une montre.

UTILISATION DE RALLONGE DE TABLE COULISSANTE

Voir la figure 27.

Augmenter la longueur de la table de scie à l'aide d'une rallonge.

- Verrouiller à 330,20 mm (13 po) le guide longitudinal sur la rallonge de table coulissante.

⚠ AVERTISSEMENT :

Le guide longitudinal doit être verrouillé à la position de 330,2 mm (13 po) pour assurer l'exactitude de la mesure de l'échelle secondaire et fournir un support adéquat à la pièce à travailler pendant l'utilisation de la table en position rallongée. Un positionnement inadéquat du guide longitudinal cause des mesures erronées de la pièce à travailler et peut entraîner des blessures graves.

- Déverrouiller la rallonge de table coulissante en tirant le levier de verrouillage vers le haut.
- Faire glisser la rallonge pour obtenir la largeur désirée.
NOTE : Utiliser les graduations du rail avant lorsqu'une largeur exacte est désirée.
- Une fois la rallonge réglée à la largeur voulue, verrouiller le levier avant et arrière en les rabattant vers l'arrière de la bas de la scie.

RÉGLAGE DE LA LAME PARALLÈLEMENT À LA RAINURE DU GUIDE D'ONGLET (SUPPRESSION DU TALON)

Voir les figures 28 à 30.

⚠ AVERTISSEMENT :

La lame doit être parallèle à la rainure du guide d'onglet afin que le bois ne pince pas la lame, entraînant ainsi un rebond. Ne pas prendre cette précaution peut entraîner des blessures graves.

Ne desserrer aucune bouton pour effectuer ce réglage avant d'avoir vérifié le parallélisme avec une équerre et exécuté des coupes d'essai, pour déterminer si des réglages sont nécessaires. Une fois les boutons desserrés, les réglages doivent être refaits.

- Débrancher la scie.
- Retirer la garde de lame, le couteau diviseur et griffes antibond. Relever la lame au maximum en tournant le volant de réglage de hauteur / biseau.
- Tracer un repère à côté de l'une des dents de l'avant de la lame. À l'aide d'une règle, mesurer la distance entre la face intérieure de la dent de lame et le rebord gauche de la rainure droite du guide d'onglet.

NOTE : Pour une précision accrue, positionner la dent marquée de la lame sur le dessus de la règle.

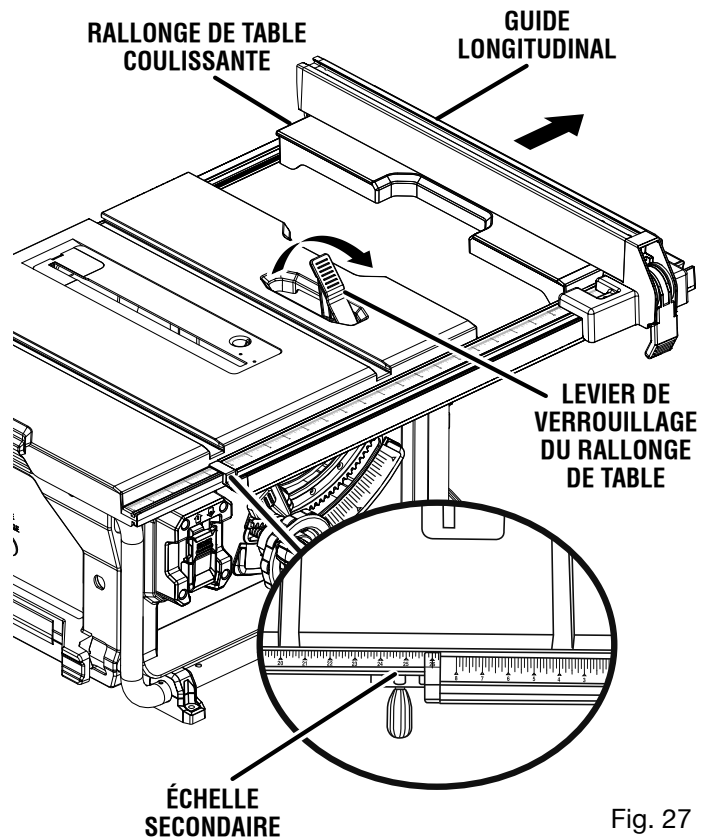


Fig. 27

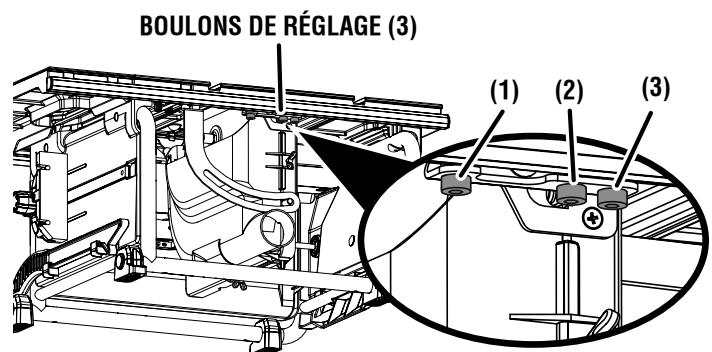


Fig. 28

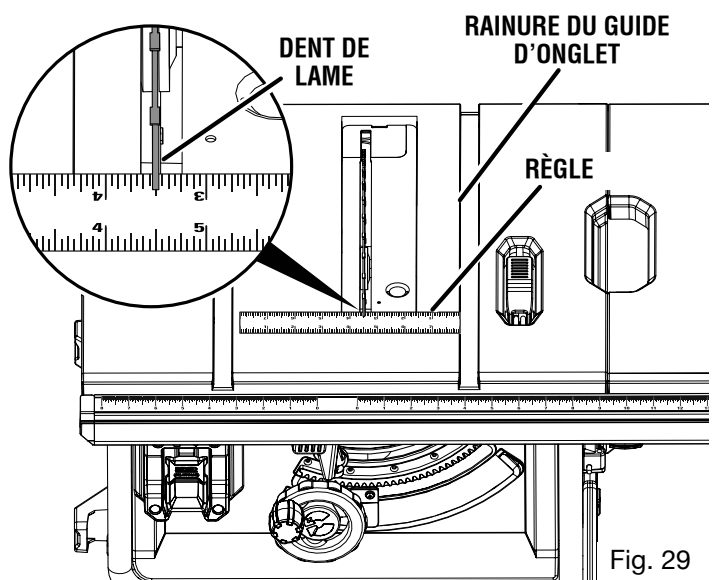


Fig. 29

UTILISATION

- Tourner la lame pour que la dent marquée se trouve à l'arrière.
- Déplacer la règle vers l'arrière et mesurer de nouveau la distance entre la face intérieure d'une dent de lame et le rebord gauche de la rainure droite du guide d'onglet. Si les distances sont identiques, la lame et la rainure du guide à onglet sont parallèles.
- Replacer la garde de lame, le couteau diviseur et griffes antirebond.

Si les distances mesurées sont différentes :

- Retirer la garde de lame, le couteau diviseur et griffes antirebond. Relever la lame au maximum en tournant le volant de réglage de hauteur / biseau.

- Desserrer les bouton de réglage (1) et (3).

NOTE: Les bouton de réglage se trouvent au-dessous de la table, à l'arrière de la scie.

- Tourner les bouton de réglage (2) gauche ou droite la lame est parallèle à la fente du jauge de la scie à onglets.

- Resserrez les bouton de réglage (1) et (3).

- Vérifier les distances et continuer à ajuster effectuer les réglages éventuels.

- Replacer la garde de lame, le couteau diviseur et griffes antirebond.

AVERTISSEMENT :

Après tout réglage, aligner le guide longitudinal et la lame pour réduire le risque de blessures causées par un rebond. Toujours vérifier que le guide longitudinal est parallèle à la lame avant de commencer une coupe.

EXÉCUTION DE COUPES

Sa scie à table peut exécuter un assortiment de coupes qui ne sont pas tout mentionné dans ce manuel. NE PAS tente de faire n'importe quelles coupures n'ont pas couvert ici à moins que vous êtes à fond familier avec les procédures correctes et les accessoires nécessaires. Votre bibliothèque locale a beaucoup de livres sur la scie à table l'usage et les procédures de travail du bois spécialisé pour votre référence.

La lame fournie avec la scie est une lame mixte de haute qualité qui peut être utilisée pour les coupes longitudinales et transversales. Vérifier attentivement tous les réglages et faire tourner la lame d'un tour complet pour assurer qu'elle tourne librement avant de brancher la scie. Se tenir légèrement sur le trajectoire de la lame pour réduire les possibilités de blessure en cas de rebond.

AVERTISSEMENT :

Ne pas utiliser de lames dont la vitesse de rotation nominale est inférieure à celle de l'outil. Le non respect de cet avertissement pourrait entraîner des blessures graves.

Utiliser le guide d'onglet lors de coupes transversales, à onglet, en biseau et à onglet composé. Pour verrouiller l'angle, tourner le bouton de verrouillage du guide d'onglet vers la droite. Toujours serrer fermement le bouton de verrouillage avant d'utiliser la scie.

NOTE : Il est recommandé de placer la pièce à conserver sur la gauche de la lame et de d'abord faire un essai sur une chute de bois.

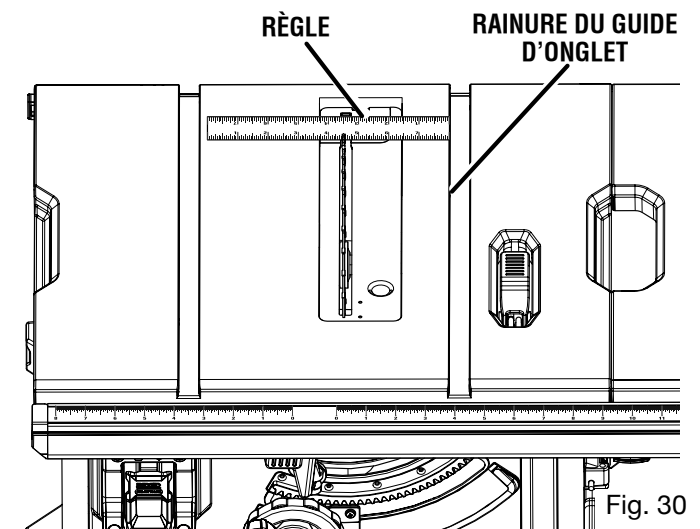


Fig. 30

COUPE TRANSVERSALE

PLACER LA MAIN GAUCHE SUR LA PIÈCE À COUPER ET LE GUIDE D'ONGLET ICI

PLACER LA MAIN DROITE SUR LE BOUTON DE VERROUILLAGE DU GUIDE D'ONGLET

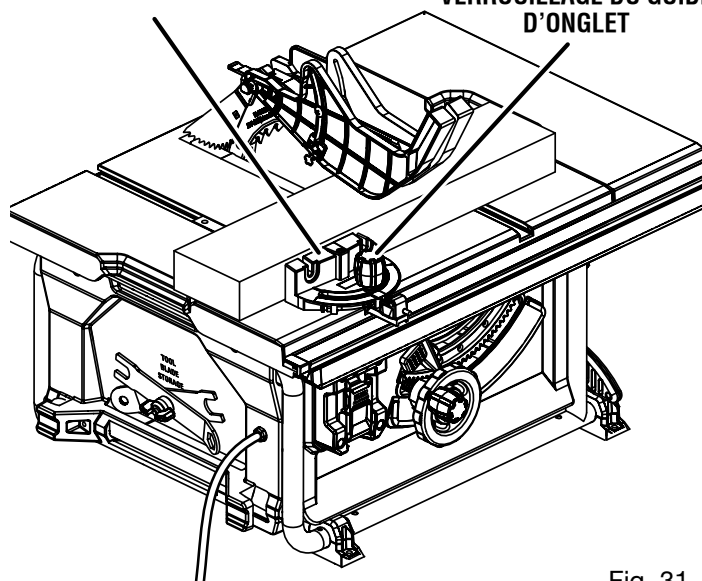


Fig. 31

COUPE TRANSVERSALE

Voir les figures 31 et 32.

AVERTISSEMENT :

Pour éviter des risques de blessures graves, s'assurer que la garde de lame est installée et fonctionne correctement.

AVERTISSEMENT :

Lors d'une coupe transversale, l'utilisation du guide longitudinal causerait un rebond pouvant causer des blessures graves.

- Retirer le guide longitudinal.

UTILISATION

- Régler la lame sur la profondeur de coupe correcte pour la pièce.
- Régler le guide d'onglet sur 0° et serrer le bouton de verrouillage.
- Avant de mettre la scie en marche, s'assurer que le bois ne touche pas la lame.
- Pour mettre la scie en marche, relever le commutateur.
- Pour éteindre la scie, abaisser le commutateur.

NOTE : Pour éviter une utilisation non autorisée, retirer la clé du commutateur, comme illustré à la figure 32.

- Laisser la lame parvenir à sa vitesse maximale avant d'engager la pièce.
- Maintenir la pièce fermement avec les deux mains sur le guide d'onglet et engager la pièce sur la lame.
- Une fois la coupe effectuée, arrêter la scie. Attendre que la lame s'arrête complètement avant de retirer la pièce.

COUPE LONGITUDINALE

Voir la figure 33.

AVERTISSEMENT :

Afin d'éviter le risque de blessures graves, s'assurer que la garde de lame est installée et fonctionne correctement.

AVERTISSEMENT :

Les coupe de effiler doivent être seulement faites avec une sauteuse spéciale, qui est disponible dans le commerce. Ne pas tenter la coupe de effiler de à main levée sur cette scie. Le non respect des instructions de sécurité peut entraîner des blessures graves.

- Régler la lame sur la profondeur de coupe correcte pour la pièce.
- Placer le guide longitudinal à la distance voulue de la lame pour la coupe et verrouiller fermement la poignée.
- En courte longitudinale une pièce à travailler longue, placer un support à la même hauteur que la table, derrière la scie.
- Installer la cale-guide en la position appropriée pour le type de coupe.
- Avant d'allumer la scie, s'assurer que le bois ne touche pas la lame.
- Mettre le commutateur en position de marche.
- Placer la pièce à couper à plat sur la table, son bord solidement appuyé contre le guide longitudinal. Laisser la lame parvenir à sa vitesse maximum avant d'engager la pièce.

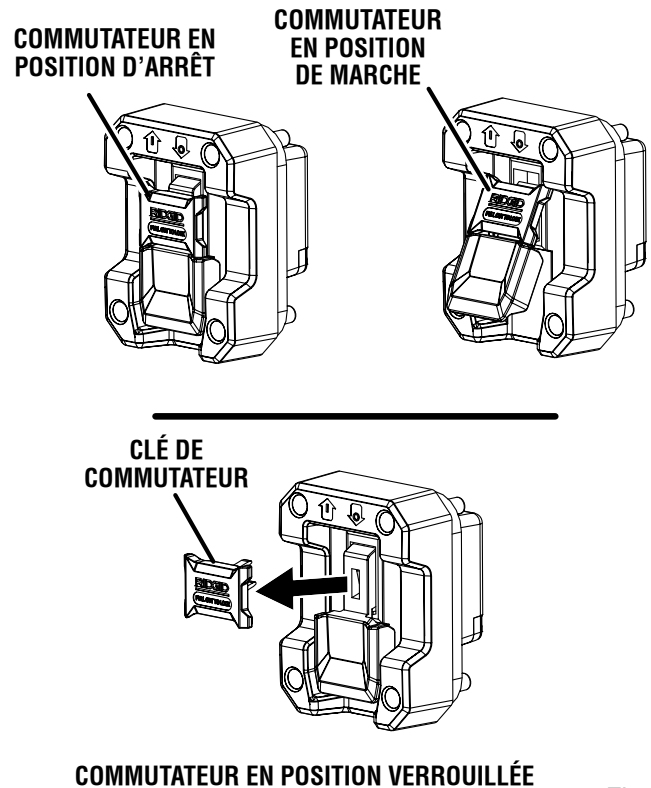


Fig. 32

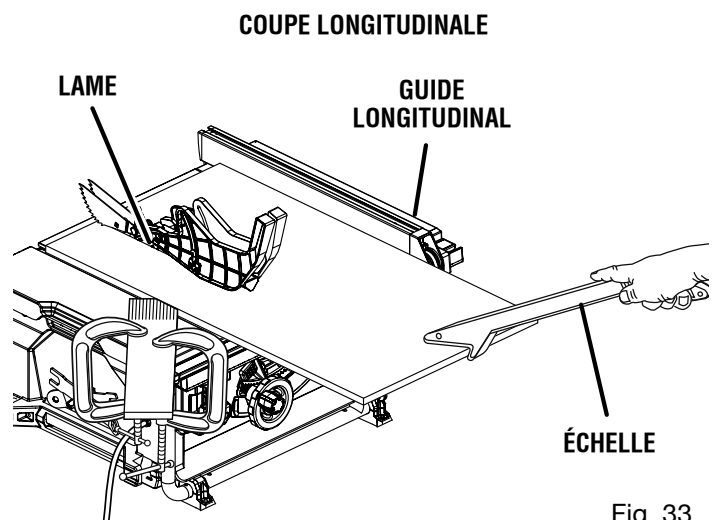


Fig. 33

- Avec un bloc et/ou un bâton poussoir, pousser lentement la pièce vers la lame. Se tenir légèrement sur le côté du bois au moment du contact avec la lame pour réduire les possibilités de blessure en cas de rebond.
- Une fois la pièce en contact avec la lame, utiliser la main la plus proche du guide longitudinal pour guider la pièce. S'assurer que le bord de la pièce est fermement en contact avec le guide longitudinal et la surface de la table. Lors de la coupe longitudinale d'une pièce étroite, la pousser avec un bâton jusqu'au delà de la lame.
- Une fois la coupe effectuée, arrêter la scie. Attendre que la lame s'arrête complètement avant de retirer la pièce.

UTILISATION

COUPE D'ONGLET

Voir la figure 34.

AVERTISSEMENT :

Afin d'éviter le risque de blessures graves, s'assurer que la garde de lame est installée et fonctionne correctement.

- Régler la lame sur la profondeur de coupe correcte pour la pièce.
- Retirer le guide longitudinal.
- Régler le guide d'onglet sur l'angle voulu et serrer le bouton de verrouillage.
- Avant de mettre la scie en marche, s'assurer que le bois ne touche pas la lame.
- Mettre le commutateur en position de marche.
- Laisser la lame parvenir à sa vitesse maximale avant d'engager la pièce.
- Maintenir la pièce fermement avec les deux mains sur le guide d'onglet et engager la pièce sur la lame.

NOTE : La main la plus proche de la lame doit être placée sur le bouton de verrouillage du guide d'onglet et la main la plus éloignée, sur la pièce à couper.

- Une fois la coupe effectuée, arrêter la scie. Attendre que la lame s'arrête complètement avant de retirer la pièce.

COUPE TRANSVERSALE EN BISEAU

Voir les figures 35 et 36.

AVERTISSEMENT :

Afin d'éviter le risque de blessures graves, s'assurer que la garde de lame est installée et fonctionne correctement.

AVERTISSEMENT :

Pour éviter de coincer le bois et causer un rebond, le guide d'onglet doit toujours se trouver sur la droite de la lame. Le placement du guide d'onglet sur la gauche de la lame causerait un rebond susceptible d'entraîner des blessures graves.

- Retirer le guide longitudinal.
- Désengager le levier de verrouillage de biseau.
- Ajuster le guide de biseau sur l'angle désiré.
- Engager le levier de verrouillage de biseau.
- Régler la lame sur la profondeur de coupe correcte pour la pièce.
- Régler le guide d'onglet sur 0° et serrer le bouton de verrouillage.

COUPE D'ONGLET

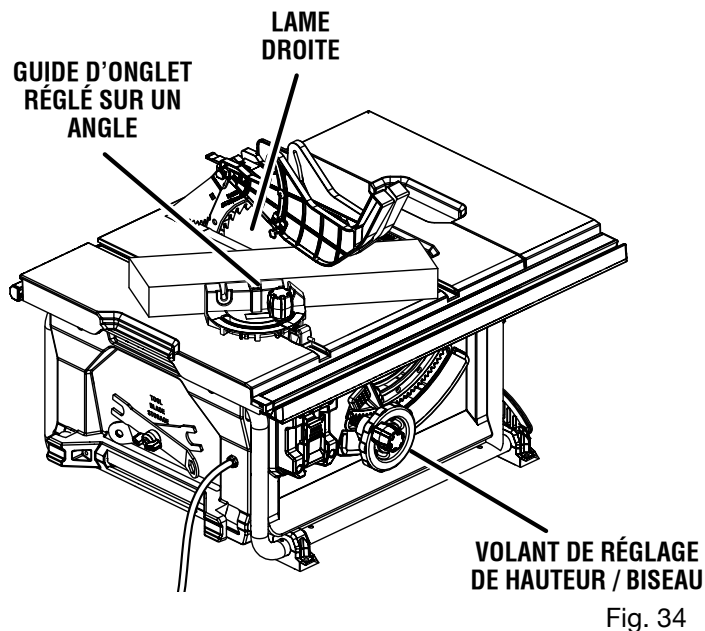


Fig. 34

VUE DE FACE, AU-DESSOUS DE LA SCIE À TABLE

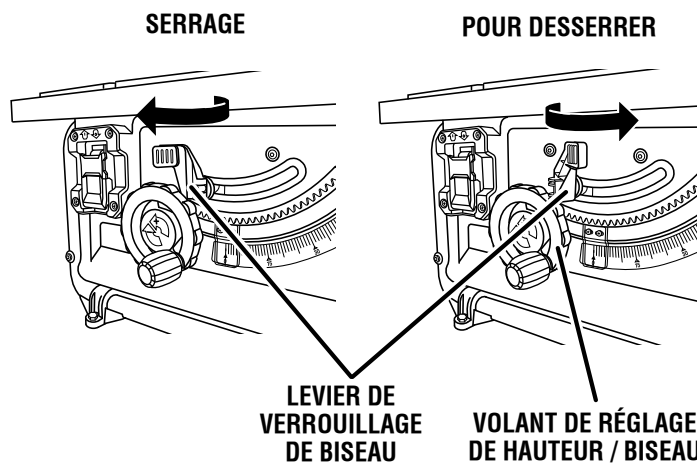


Fig. 35

- Avant de mettre la scie en marche, s'assurer que le bois ne touche pas la lame.
 - Mettre le commutateur en position de marche.
 - Laisser la lame parvenir à sa vitesse maximale avant d'engager la pièce.
 - Maintenir la pièce fermement avec les deux mains sur le guide d'onglet et engager la pièce sur la lame.
- NOTE :** La main la plus proche de la lame doit être placée sur le bouton de verrouillage du guide d'onglet et la main la plus éloignée, sur la pièce à couper.
- Une fois la coupe effectuée, arrêter la scie. Attendre que la lame s'arrête complètement avant de retirer la pièce.

UTILISATION

COUPE LONGITUDINALE EN BISEAU

Voir la figure 37.

AVERTISSEMENT :

Afin d'éviter le risque de blessures graves, s'assurer que la garde de lame est installée et fonctionne correctement.

AVERTISSEMENT :

Pour éviter de coincer le bois et causer un rebond, le guide longitudinal doit toujours se trouver sur la droite de la lame. Le placement du guide longitudinal sur la gauche de la lame causerait un rebond susceptible d'entraîner des blessures graves.

- Retirer le guide d'onglet.
- Installer la cale-guide en la position appropriée pour le type de coupe.
- Désengager le levier de verrouillage de biseau.
- Ajuster le guide de biseau sur l'angle désiré.
- Engager le levier de verrouillage de biseau.
- Régler la lame sur la profondeur de coupe correcte.
- Placer le guide longitudinal à la distance voulue de la lame pour la coupe et verrouiller fermement la poignée.
- En courte longitudinale une pièce à travailler longue, placer un support à la même hauteur que la table, derrière la scie.
- Mettre le commutateur en position de marche.
- Placer la pièce à couper à plat sur la table, son bord solidement appuyé contre le guide longitudinal. Laisser la lame parvenir à sa vitesse maximum avant d'engager la pièce.
- Avec un bloc et/ou un bâton poussoir, pousser lentement la pièce vers la lame. Se tenir légèrement sur le côté du bois au moment du contact avec la lame pour réduire les possibilités de blessure en cas de rebond.
- Une fois la pièce en contact avec la lame, utiliser la main la plus proche du guide longitudinal pour guider la pièce. S'assurer que le bord de la pièce est fermement en contact avec le guide longitudinal et la surface de la table. Lors de la coupe longitudinale d'une pièce étroite, la pousser avec un bâton jusqu'au delà de la lame.
- Une fois la coupe effectuée, arrêter la scie. Attendre que la lame s'arrête complètement avant de retirer la pièce.

COUPE TRANSVERSALE EN BISEAU

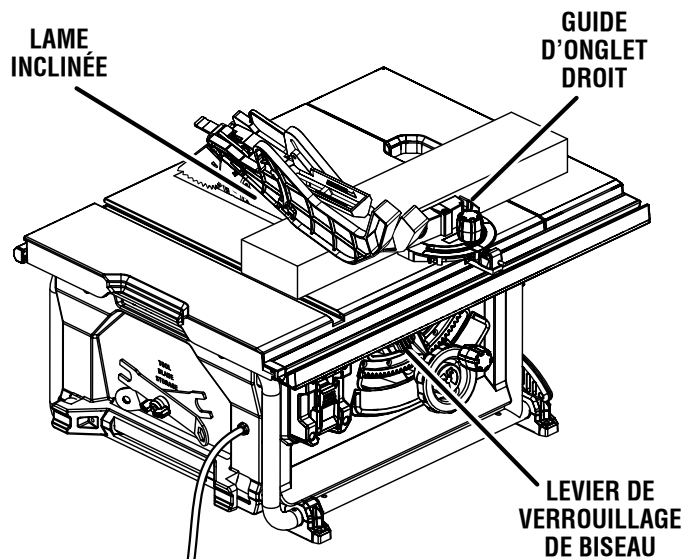


Fig. 36

COUPE LONGITUDINALE EN BISEAU

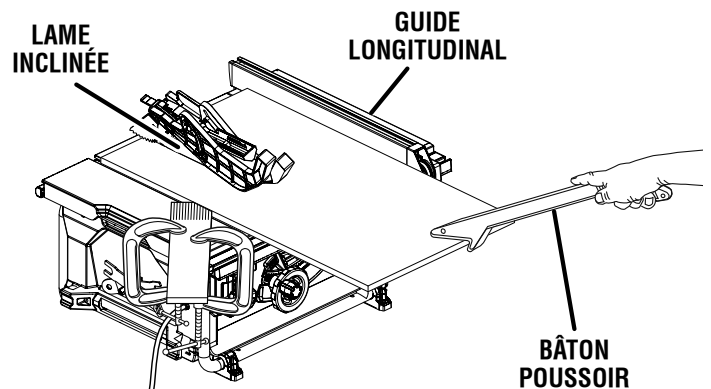


Fig. 37

UTILISATION

COUPE D'ONGLET COMPOSÉ (EN BISEAU)

Voir la figure 38.

AVERTISSEMENT :

Afin d'éviter le risque de blessures graves, s'assurer que la garde de lame est installée et fonctionne correctement.

AVERTISSEMENT :

Pour éviter de coincer le bois et causer un rebond, le guide d'onglet doit toujours se trouver sur la droite de la lame. Le placement du guide d'onglet sur la gauche de la lame causerait un rebond susceptible d'entraîner des blessures graves.

- Retirer le guide longitudinal.
 - Désengager le levier de verrouillage de biseau.
 - Ajuster le guide de biseau sur l'angle désiré.
 - Engager le levier de verrouillage de biseau.
 - Régler la lame sur la profondeur de coupe correcte.
 - Régler le guide d'onglet sur l'angle voulu et serrer le bouton de verrouillage.
 - Avant de mettre la scie en marche, s'assurer que le bois ne touche pas la lame.
 - Mettre le commutateur en position de marche.
 - Laisser la lame parvenir à sa vitesse maximale avant d'engager la pièce.
 - Maintenir la pièce fermement avec les deux mains sur le guide d'onglet et engager la pièce sur la lame.
- NOTE :** La main la plus proche de la lame doit être placée sur le bouton de verrouillage du guide d'onglet et la main la plus éloignée, sur la pièce à couper.
- Une fois la coupe effectuée, arrêter la scie. Attendre que la lame s'arrête complètement avant de retirer la pièce.

COUPE D'UNE PIÈCE DE GRANDE TAILLE

Voir la figure 39.

S'assurer que la scie est solidement assujettie sur le plan de travail, afin que le poids d'une grande planche ne risque pas de la faire basculer.

AVERTISSEMENT :

Afin d'éviter le risque de blessures graves, s'assurer que la garde de lame est installée et fonctionne correctement.

COUPE D'ONGLET COMPOSÉ (EN BISEAU)

PLACER LA MAIN GAUCHE SUR LE GUIDE D'ONGLET ICI

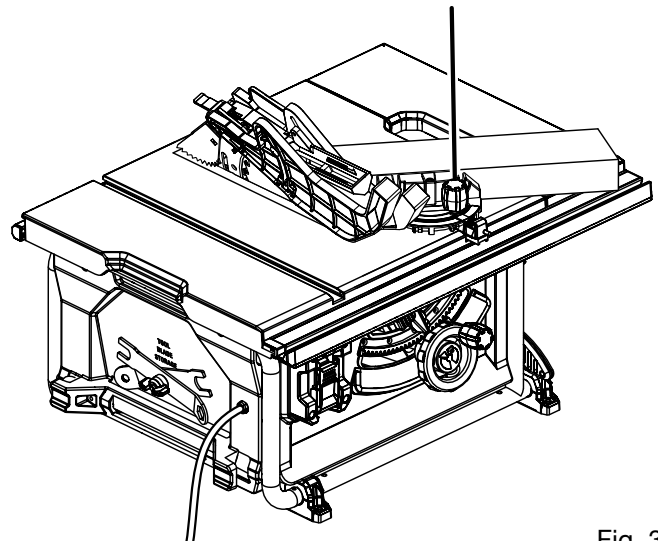


Fig. 38

COUPE D'UNE PLANCHE DE GRANDE TAILLE

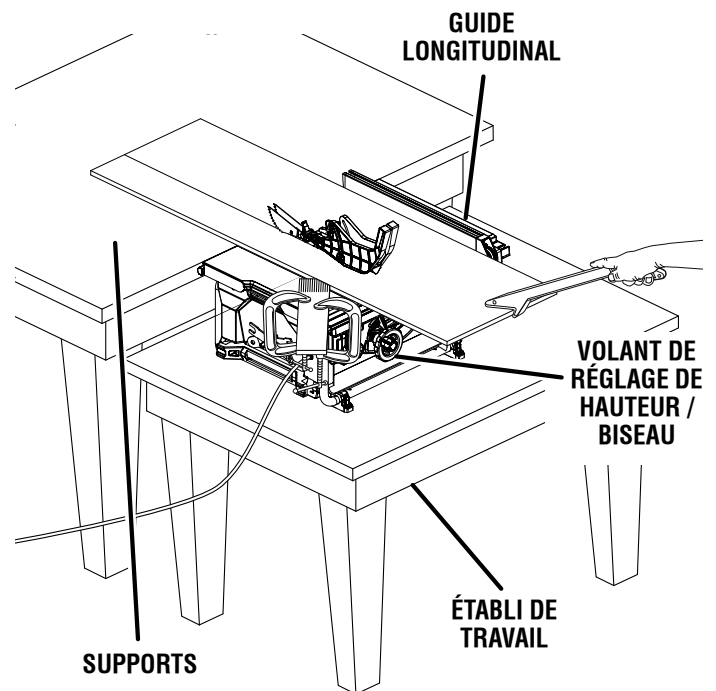


Fig. 39

AVERTISSEMENT :

Ne jamais effectuer de coupes à main levée (coupes sans le guide d'onglet ou le guide longitudinal), ce qui pourrait entraîner des blessures graves.

UTILISATION

- Installer la cale-guide en la position appropriée pour le type de coupe.
- Placer un support à la même hauteur que la table derrière la scie pour soutenir la pièce à couper. Ajouter des supports sur les côtés selon le besoin.

⚠ AVERTISSEMENT :

Un soutien incorrect de la pièce de travail sur le côté et/ou le côté sortant de la scie peut créer un mouvement inattendu de la pièce de travail et/ou la scie, ce qui peut entraîner des blessures corporelles graves.

- Selon la forme de la planche, utiliser le guide longitudinal ou le guide d'onglet. Si la planche est trop grande pour permettre d'utiliser le guide longitudinal ou le guide d'onglet, elle est trop grande pour cette scie.
- Avant de mettre la scie en marche, s'assurer que le bois ne touche pas la lame.
- Mettre le commutateur en position de marche.
- Placer la pièce à couper à plat sur la table, son bord solidement appuyé contre le guide longitudinal. Laisser la lame parvenir à sa vitesse maximum avant d'engager la pièce.
- La pousser avec un bâton jusqu'au delà de la lame.
- Une fois la coupe effectuée, arrêter la scie. Attendre que la lame s'arrête complètement avant de retirer la pièce.

COUPE NON TRAVERSANTE

Voir la figure 40.

Les coupes non traversantes (a fait avec une norme lame de 10 pulg.) peuvent être effectuées avec le grain (longitudinale) ou contre le grain (transversale). L'utilisation d'une coupe non traversante est essentielle pour couper les rainures et les feuillures. Seul ce type de coupe est effectué sans le garde lame. S'assurer que la garde de lame est réinstallée après avoir exécuté de telles coupes. Outre la présente section sur les coupes non traversantes ou de rainage, lire la section appropriée sur le type de coupe. Par exemple, si la coupe non traversante est transversale, lire et comprendre la section sur les coupes transversales avant de procéder.

⚠ AVERTISSEMENT :

Lors d'une coupe non traversante, la lame est couverte par la pièce pendant la plus grande partie de la coupe. Se méfier de la lame exposée au début et à la fin de chaque coupe pour éviter le risque de blessures graves.

COUPE NON TRAVERSANTE

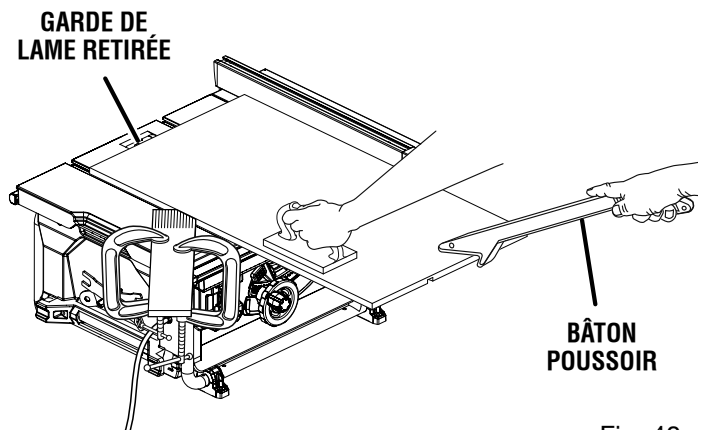


Fig. 40

RAINAGE

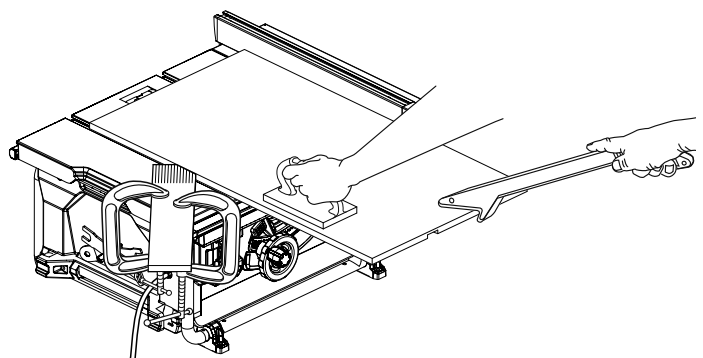


Fig. 41

⚠ AVERTISSEMENT :

Avec les coupes non traversantes telles que les feuillures ou les rainages, ne jamais engager le bois avec les mains. Pour éviter des blessures, toujours utiliser un bloc / bâton poussoir et des cales guide.

- Débrancher la scie.
- Retirer la garde de lame et griffes antirebond.
- Placer le couteau diviseur en la position « en bas ».
- Désengager le levier de verrouillage de biseau.
- Ajuster le guide de biseau sur l'angle désiré.
- Engager le levier de verrouillage de biseau.
- Régler la profondeur de lame correcte pour la pièce.
- Selon la forme et de la taille du bois, utiliser le guide longitudinal ou le guide d'onglet.
- Brancher la scie et tourner le scie.
- Laisser la lame parvenir à sa vitesse maximale avant d'engager la pièce.

UTILISATION

- Toujours utiliser un bloc poussoir, un bâton poussoir et / ou une cale-guide appropriée lors des coupes non traversantes, pour réduire des blessures graves.
- Une fois la coupe effectuée, arrêter la scie. Attendre que la lame s'arrête complètement avant de retirer la pièce.

Une fois toutes les coupes non traversantes terminées :

- Débrancher la scie.
- Abaisser le couteau diviseur en la posición « en haut » alors installer la lame et réinstaller la garde de lame et griffes antirebond.

EXÉCUTION D'UN RAINAGE

Voir la figure 41.

Une plaque à gorge spéciale en option est requise pour cette procédure (voir la section *Accessoires* de ce manuel et consulter le magasin le plus proche). Toutes les lames et ensembles à rainure doivent être homologués pour une vitesse non moindre que celle de cet outil. La scie est conçue pour être utilisée avec des lames à rainure double de 152,4 mm (6 po) (avec une épaisseur jusqu'à 19,1 mm [3/4 po]). Ne pas utiliser pas des lames à rainures ajustables avec cette scie.

AVERTISSEMENT :

Lors d'une coupe non traversante, la lame est couverte par la pièce pendant la plus grande partie de la coupe. Se méfier de la lame exposée au début et à la fin de chaque coupe pour éviter le risque de blessures graves.

AVERTISSEMENT :

Toujours placer les rondelles de lame, les entretoises et les écrous à l'emplacement correct lors du changement de la lame. Ne pas prendre cette précaution pourrait entraîner des blessures graves et des dommages à l'outil.

AVERTISSEMENT :

Toujours utiliser un bloc poussoir, un bâton poussoir et / ou une cale-guide lors du rainage, pour éviter des blessures graves.

- Débrancher la scie.
- Retirer la garde de lame, griffes antirebond, la plaque à gorge, et le couteau diviseur.
- Retirer l'écrou de lame, rondelle de la lame intérieure, lame de scie, rondelle de la lame intérieure et entretoise (voir la figure 43).

NOTE : Toujours mettre la rondelle de lame et la plaque à gorge à l'emplacement verrouiller.

- Réinstaller la rondelle de lame intérieure.
- Monter la lame, selon les instructions de fabricant, à rainure à l'aide de la lame et des cales appropriées pour obtenir la largeur de coupe désirée.
- Réinstaller l'écrou de lame.
- **NOTE :** La rondelle de lame ne peut être utilisée que si l'axe dépasse légèrement de l'écrou.
- S'assurer que l'écrou de lame est pleinement engagé et l'axe dépasse d'au moins un filetage complet de l'écrou de lame fermement serré.
- Placer le levier de dégagement du couteau diviseur en la posición verrouillée.
- Installer la plaque à gorge de rainage et faire tourner la lame à la main pour s'assurer qu'elle fonctionne librement et l'abaisser.
- Selon la forme et de la taille du bois, utiliser le guide longitudinal ou le guide d'onglet.
- Si faire une coupe longitudinal, installer la cale-guide en la position appropriée pour le type de coupe.
- Mettre le commutateur en position de marche.

NOTE : Avant de mettre la scie en marche, s'assurer que le bois ne touche pas la lame. Laisser la lame parvenir à sa vitesse maximum avant d'engager la pièce.

- Placer la pièce à couper à plat sur la table, son bord solidement appuyé contre le guide longitudinal ou le guide d'onglet.
- Utiliser un bloc ou un bâton poussoir pour pousser le bois au-delà de la lame. Ne jamais pousser une petite pièce de bois contre la lame avec les mains, toujours utiliser un bâton poussoir. Avec les coupes non traversantes, l'utilisation des blocs poussoir, bâtons poussoir et cales-guide est nécessaire.
- Une fois la coupe effectuée, arrêter la scie. Attendre que la lame s'arrête complètement avant de retirer la pièce.

Une fois toutes les coupes rainage terminées :

- Débrancher la scie.
- Enlever la lame à rainage et réinstaller la lame de coupe standard.
- Abaisser le couteau diviseur en la posición « en haut » alors installer la lame et réinstaller la garde de lame et griffes antirebond.

RÉGLAGES

⚠ AVERTISSEMENT :

Avant d'effectuer tout réglage, assurez-vous que la outil est débranchée et que le commutateur est en position arrêt (**O**). Le non-respect de cette règle peut occasionner de graves blessures.

Pour éviter des réglages et ajustements inutiles, vérifier soigneusement tous les alignements avec une équerre et effectuer des coupes d'essai sur des chutes de bois avant de travailler sur des pièces utilisables. N'effectuer aucun réglage avant d'avoir vérifié les alignements avec une équerre et effectué des coupes d'essai afin de vérifier que des réglages sont nécessaires.

REMPACEMENT DE LA LAME

Voir les figures 42 à 44.

La trait de scie lame doit être dans les limites affranchies sur le couteau diviseur.

- Débrancher la scie.
- Abaisser la lame de scie et enlever la plaque à gorge.
- Lever la lame à la hauteur maximum puis retirer le protège-lame et les griffes anti-rebond.
- S'assurer que le levier de verrouillage de biseau est poussé à fond vers la gauche.
- L'utilisation la petite clé lame, insérer le bout ouvert méplats de axe de lame.
- Engager l'extrémité fermée de la grosse clé à lame sur l'écrou hexagonal. L'avoir les deux clés fermement, tirer l'hors de la grosse clé à lame (le côté de droite) en avant pendant que pousser la petite clé lame (le côté gauche) au arrière de la scie.
- Déverrouiller segurar la palanca de afloje et retirer la lame.

NOTE : L'axe de lame est enfile de droite.

Pour l'installation d'une lame spéciale, suivre les instructions fournies avec cette lame.

Installation d'une lame standard :

NOTE : S'assurer que l'espaceur et la rondelle de la lame intérieure sont bien en place sur l'axe d'entraînement avant d'installer la nouvelle lame.

- Placer la lame sur axe de lame (pour qu'elle fonctionne correctement, ses dents doivent être orientées vers le bas et l'avant de la scie).
- Installer la rondelle de la lame et écrou hexagonal sur axe de lame. S'assurer que le côté plat de la rondelle est placé contre la lame et que toutes les pièces sont bien serrées contre le support de l'axe. S'assurer que écrou hexagonal soit fermement serré. Ne pas trop serrer.
- Verrouiller le levier de dégagement.
- Faire tourner la lame à la main pour s'assurer qu'elle fonctionne librement.
- Abaisser la lame et remettre la plaque à gorge en place.

Une fois terminé, vérifier que la lame tourne librement, sans

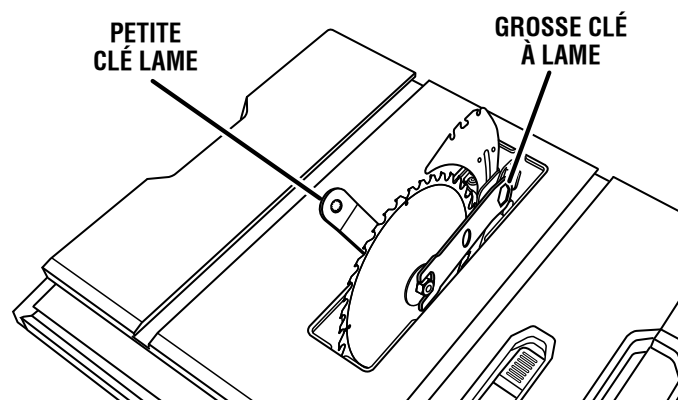


Fig. 42

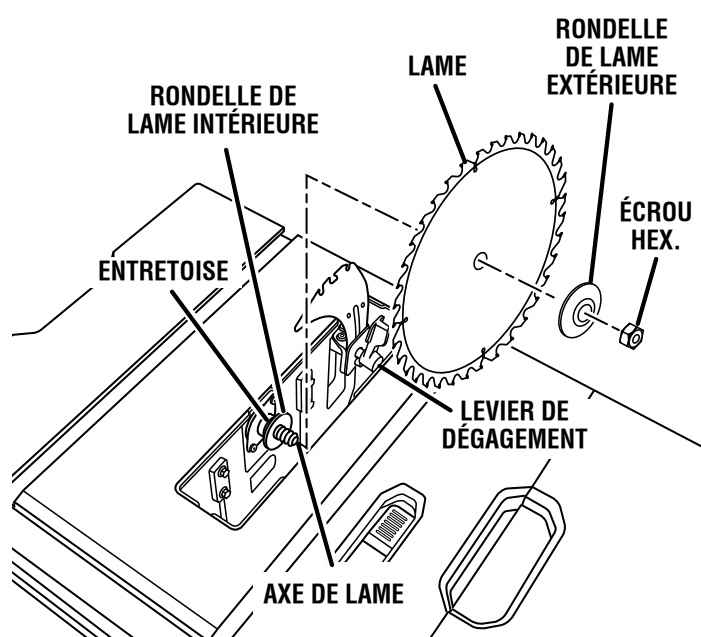


Fig. 43

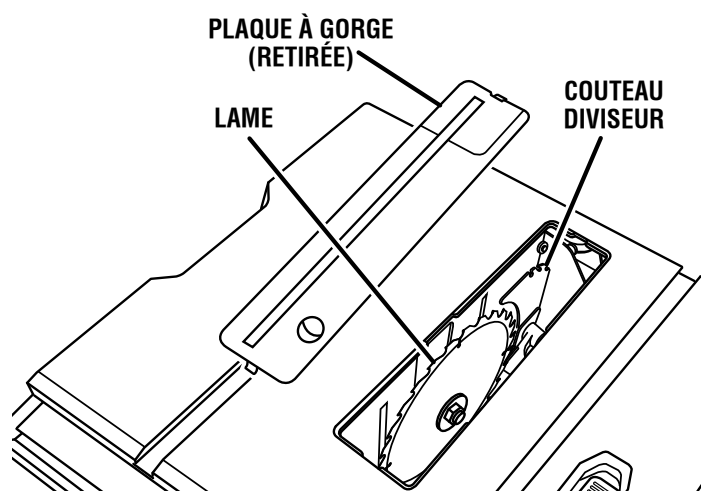


Fig. 44

RÉGLAGES

toucher quoi que ce soit. Rapportez-vous à **Pour régler l'échelle graduée sur la lame** dans la section *Utilisation* dans ce manuel. Lors de la coupe, l'échelle doit être placée du côté de la lame où la coupe est mesurée et exécutée.

RÉGLAGE DE LA LAME À 0 ET 45°

Voir les figures 45 et 46.

La scie a été réglée en usine et, à moins qu'elle ait été endommagée en cours de transport, aucun réglage ne devrait être nécessaire. Après un usage prolongé, il peut être nécessaire de vérifier les réglages.

- Débrancher la scie.
- Relever la lame et retire la garde de lame.

Déterminer si la lame est parfaitement verticale (0°) :

- Placer une équerre combinée à côté de la lame, sur la en droit. Le bord de la équerre et la lame de scie doivent être parallèles.

NOTE : Assurez-vous que les contacts carrés la partie équerre de la lame de scie, pas les dents de scie.

- Si la lame n'est pas parfaitement verticale (0°) :
 - Désengager le levier de verrouillage de biseau.
 - Tourner le vis de réglage de 0° si nécessaire.
 - Engager le levier de verrouillage de biseau.
- Vérifier de nouveau l'alignement et continuer à ajuster effectuer les réglages éventuels.

Déterminer si di l'angle de la lame est exactement de 45° :

- Placer une équerre combinée à côté de la lame, sur la en droit. Le bord de la équerre et la lame de scie doivent être parallèles.

NOTE : Assurez-vous que les contacts carrés la partie équerre de la lame de scie, pas les dents de scie.

- Si l'angle de la lame n'est pas exactement de 45° :
 - Désengager le levier de verrouillage de biseau.
 - Tourner le vis de réglage de 45° si nécessaire.
 - Engager le levier de verrouillage de biseau.
- Vérifier de nouveau l'alignement et continuer à ajuster effectuer les réglages éventuels.
- Placer l'indicateur d'onglet sur 45°.
- Effectuer une coupe d'essai.

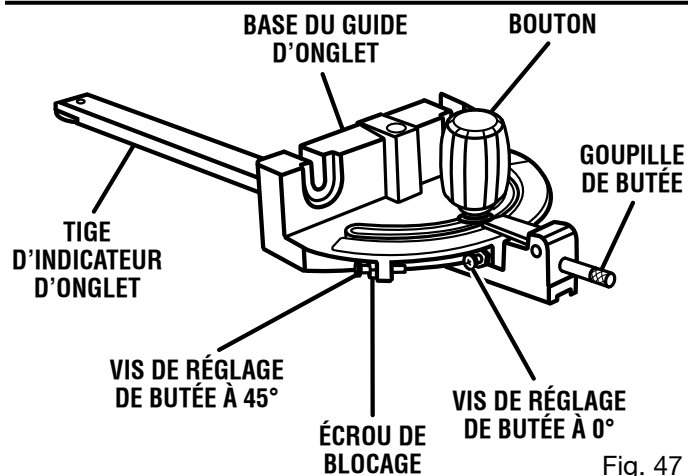
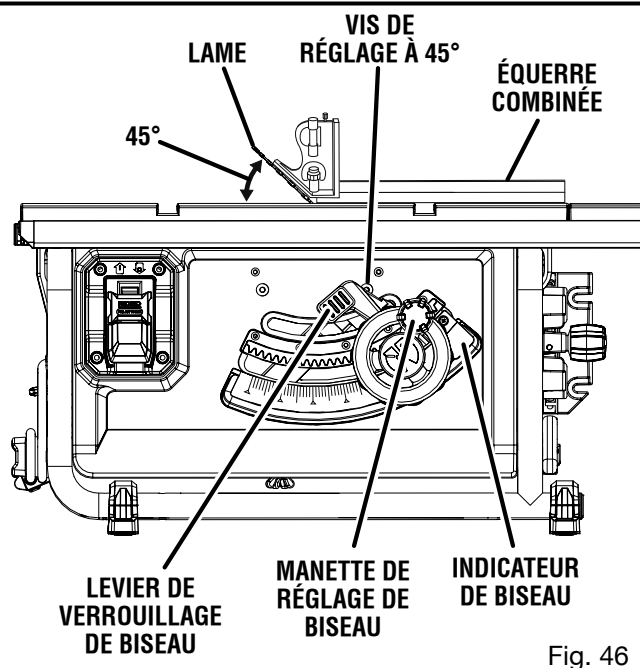
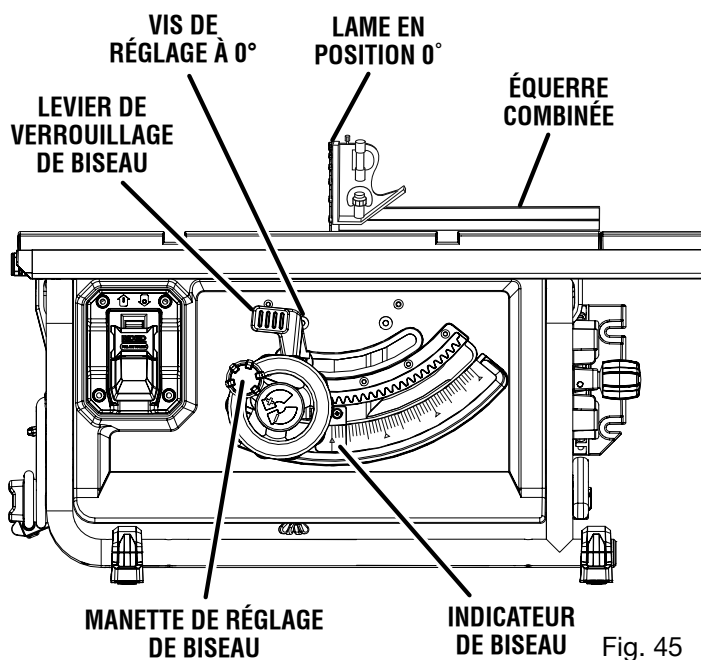
RÉGLAGE DU GUIDE D'ONGLET

Voir la figure 47.

Le guide d'onglet peut être réglé à 0° et plus ou moins 45° au moyen de son axe de blocage et de ses vis d'arrêt.

NOTE : Le guide d'onglet permet d'effectuer des coupes en biais de grande précision. Il est recommandé d'effectuer des coupes d'essai lorsque les tolérances sont réduites.

- Desserrer le bouton et tirer sur goupille de butée pour faire tourner le guide d'onglet au-delà des vis d'arrêt.
- Desserrer l'écrou de la vis d'arrêt à 0° se trouvant au niveau de l'axe de blocage avec une clé de 8 mm.
- Placer une équerre combinée la tige et la base du guide



RÉGLAGES

d'onglet.

- Si la tige n'est pas d'équerre, desserrer le bouton, ajuster la tige et resserrer le bouton.
- Régler la vis d'arrêt à 0° de manière à ce qu'elle contacte l'axe de blocage.
- Régler les vis d'arrêt à plus et moins 45° au moyen d'une équerre à 45°, selon les instructions ci-dessus.

VÉRIFICATION DE L'ALIGNEMENT DU GUIDE LONGITUDINAL SUR LA LAME

Voir la figure 48.

Le guide longitudinal doit être installé en parallèle avec la lame et les rainures du guide d'onglet.

AVERTISSEMENT :

Un guide longitudinal incorrectement aligné peut causer des rebonds et des blocages. Pour réduire les risques de blessures, maintenir l'alignement correct du guide longitudinal.

- Débrancher la scie.
- Retirer la garde de lame, le couteau diviseur et griffes antibond. Relever la lame au maximum en tournant le volant de réglage de hauteur / biseau.
- Vérifier que la lame est parallèle avec la rainure du guide d'onglet, conformément à ce qui est décrit à la section **Réglage de la lame parallèlement à la rainure du guide d'onglet (suppression du talon)** dans la section *Utilisation*.
- Amener le guide longitudinal près de la lame de la scie (à environ 76,20 mm [3 po] de la lame), puis verrouiller le guide à l'aide du levier de verrouillage.
- Faites une marque derrière une dent sur le devant de la lame. À l'aide d'une règle, mesurer la distance entre la face intérieure de la dent de lame et la face intérieure du guide longitudinal.

NOTE : Pour une précision accrue, positionner la dent marquée de la lame sur le dessus de la règle.

- Tournez la lame pour que la dent marquée se retrouve en arrière.
- Déplacer la règle vers l'arrière et mesurer de nouveau la distance entre la face intérieure de la dent de lame et la face intérieure du guide longitudinal. Si les distances sont identiques, la lame et le guide longitudinal sont parallèles.

Si les distances mesurées sont différentes :

- Déserrer les deux vis situées sur le guide de coupe.
- Régler le guide longitudinal.
- Serrer les vis alternance. Vérifier de nouveau l'alignement.
- Répéter la procédure selon le besoin jusqu'à ce que le guide longitudinal soit correctement aligné.
- Replacer la garde de lame, le couteau diviseur et griffes antibond.

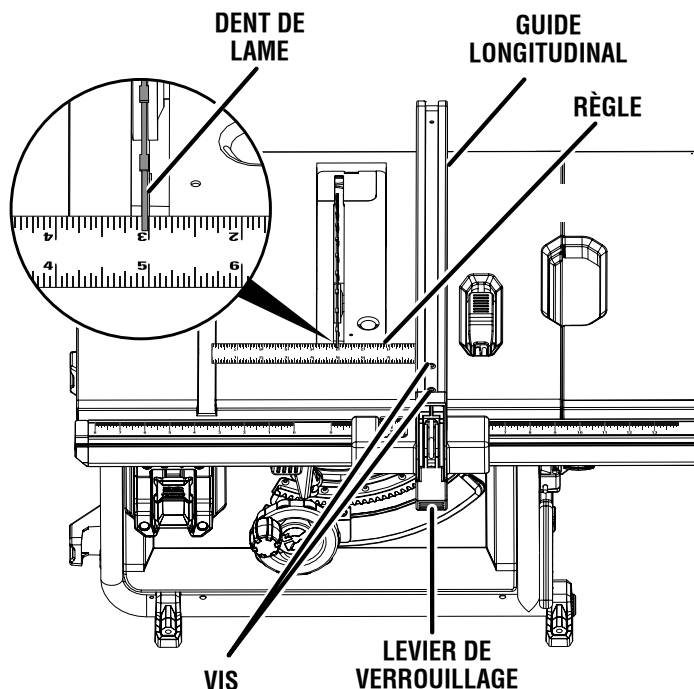


Fig. 48

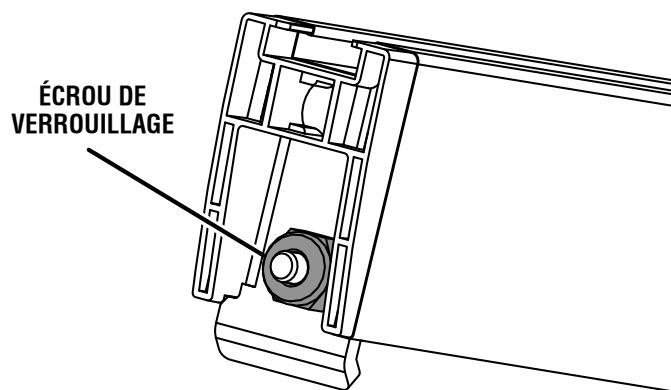


Fig. 49

VÉRIFICATION DE L'ÉTANCHÉITÉ DU LEVIER DE VERROUILLAGE DU GUIDE LONGITUDINAL

Voir les figures 48 et 49.

Le levier de verrouillage du guide longitudinal doit maintenir ce dernier fermement appuyé contre les rails avant et arrière. Le levier doit pouvoir être abaissé et verrouillé sans effort. Pour assurer un réglage correct du verrouillage de guide :

- Verrouiller le guide longitudinal à sa place.
- Essayer déplaçant le guide longitudinal du côté-à-le côté. si la le guide se déplace, resserre l'écrou de verrouillage 1/4 virage.
- Une fois le guide longitudinal en position verrouillée, vérifier de nouveau son parallélisme avec la rainure du guide d'onglet et le régler selon le besoin.

ENTRETIEN

⚠ AVERTISSEMENT :

Utiliser exclusivement des pièces d'origine pour les réparations. L'usage de toute autre pièce pourrait créer une situation dangereuse ou endommager l'outil.

⚠ AVERTISSEMENT :

Toujours porter une protection oculaire certifiée conforme à la norme ANSI Z87.1 lors de l'utilisation de produit. Si une opération dégage de la poussière, porter également un masque anti-poussière.

⚠ AVERTISSEMENT :

Avant d'effectuer tout entretien, assurez-vous que la outil est débranchée et que le commutateur est en position arrêt (O). Le non-respect de cette règle peut occasionner de graves blessures.

ENTRETIEN GÉNÉRAL

Éviter d'utiliser des solvants pour le nettoyage des pièces en plastique. La plupart des matières plastiques peuvent être endommagées par divers types de solvants du commerce. Utiliser un chiffon propre pour éliminer la saleté, la poussière, l'huile, la graisse, etc.

⚠ AVERTISSEMENT :

Ne jamais laisser de liquides tels que le fluide de freins, l'essence, les produits à base de pétrole, les huiles pénétrantes, etc., entrer en contact avec les pièces en plastique. Les produits chimiques peuvent endommager, affaiblir ou détruire le plastique, ce qui peut entraîner des blessures graves.

- Vérifier régulièrement le serrage et l'état de tous les colliers, écrous boulons et vis. S'assurer que la plaque à gorge est en bon état et bien en place.
- Vérifier l'assemblage du guide de la lame pour assurer une bonne installation, qu'il est bien ajusté et qu'il possède les dégagements nécessaires, permettant un mouvement en toute liberté. Certains types de bois peuvent occasionner une accumulation de poussière, de dépôts ou de résine sur les composants alors un entretien périodique est recommandé.

ACCESSOIRES

Rechercher ces accessoires où vous avez acheté ce produit ou en appelant au 1-866-539-1710 :

- Plaque à gorge pour lame à rainer089037006914
- Ensemble de stand089240020707

⚠ AVERTISSEMENT :

Les outils et accessoires disponibles actuellement pour cet outil sont listés ci-dessus. Ne pas utiliser d'outils ou accessoires non recommandés pour cet outil. L'utilisation de pièces et accessoires non recommandés peut entraîner des blessures graves.

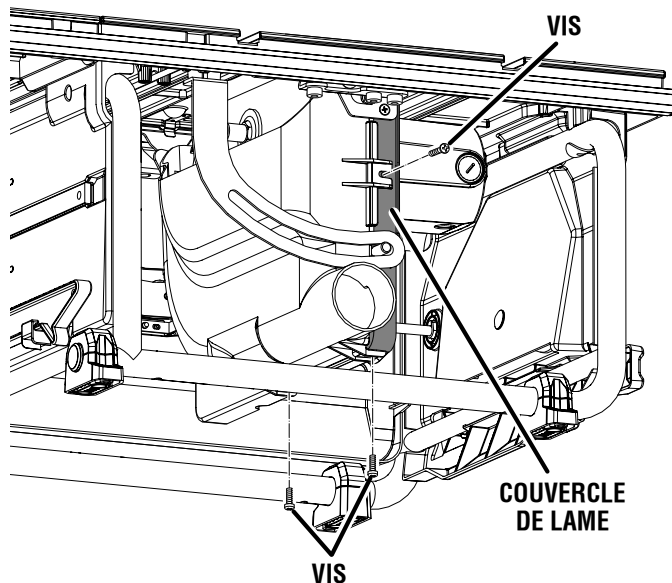


Fig. 50

Tout nettoyant utilisé doit convenir pour usage sur les pièces en plastique.

- Retirer les vis et ouvrir le couvercle du lame. Nettoyer la poussière de scie et les puces de bois de le couvercle du lame. Fermeture et obtenir. (Voir la figure 50.)
- **Nettoyer les pièces en plastique uniquement avec un chiffon doux humide. Ne pas utiliser de produits en aérosol ni de solvants pétroliers.**
- Éliminer la sciure se trouvant au-dessous de la table et entre les dents de la lame pour protéger cette dernière. Nettoyer les dents de scie avec un solvant recommandé pour résine et gommés.
- Appliquer périodiquement de la cire en pâte sur la table, le guide et les rails pour assurer un fonctionnement en douceur. Pour éviter que la pièce glisse pendant la coupe, **ne pas** cirer la face de travail du guide d'onglet.

LUBRIFICATION

Les paliers du moteur de cette scie ont été correctement garnis en usine.

- Nettoyer le filetage des boulons et écrous avec un solvant recommandé pour résine et gommés.
- Lubrifier le filetage des boulons, écrous et points d'appui (y compris ceux de la garde de lame et du guide d'onglets).

DÉPANNAGE

Problème	Cause	Solution
Vibrations excessives.	Lame déséquilibrée. Lame endommagée. Lascien'est passolidement assujettie. Surface de travail irrégulière. Lame voilée.	Remplacer la lame. Remplacer la lame. Serrer tous les écrous, vis et boulons. Repositionner sur une surface plane. Remplacer la lame.
Le guide longitudinal ne se déplace pas en douceur.	Guide longitudinal pas correctement installé. Rails encrassés ou collants. Vis de serrage déréglée.	Réinstaller le guide longitudinal. Nettoyer et cirer les rails. Régler la vis de serrage.
Le guide longitudinal ne se verrouille pas du tout.	Vis de serrage déréglée.	Régler la vis de serrage.
La lame se bloque ou brûle le bois.	Lame émoussée. Lame désalignée. Pièce à couper avancée trop rapidement. Guide longitudinal mal aligné. Couteau diviseur mal aligné. Pièce est voilée.	Remplacer ou affûter la lame. Voir Réglage de la lame parallèlement à la rainure du guide d'onglet (suppression du talon) , à la section <i>Utilisation</i> . Ralentir l'avance. Aligner le guide longitudinal. Voir Vérification et alignement du couteau diviseur et la lame , à la section <i>Assemblage</i> . Changer de pièce à couper. Toujours couper avec le côté convexe face à la table.
Le chant de la pièce n'est pas contre le guide longitudinal lors de la coupe en long.	Guide longitudinal mal aligné.	Vérifier et régler le guide longitudinal.

DÉPANNAGE

Problème	Cause	Solution
La scie n'exécute pas les coupes à 90 ou 45°.	Butées de biseau pas correctement réglées.	Régler les butées fixes.
	Guide d'onglet pas correctement aligné (coupe d'onglets).	Régler le guide d'onglet.
Les volants de réglage de hauteur et de biseau sont difficiles à tourner.	Les engrenages ou la vis sans fin de l'intérieur de l'armoire sont bloqués par de la sciure.	Nettoyer les engrenages et la vis sans fin.
La scie ne démarre pas.	Cordon d'alimentation pas branché.	Brancher le cordon d'alimentation.
	Fusible de circuit grillé.	Remplacer le fusible.
	Disjoncteur débranché.	Réarmer le disjoncteur.
	Cordon, commutateur ou moteur endommagé.	Faire remplacer dans un centre de réparations qualifié.
La lame ne coupe pas correctement.	Lame émoussée ou encrassée.	Nettoyer, affûter ou remplacer la lame.
	Lame de type incorrect pour la coupe.	Utiliser une lame de type approprié.
	Lame montée à l'envers.	Réinstaller la lame.
La lame ne s'abaisse pas lorsque le volant de réglage de hauteur / biseau est tourné.	Couvercle de lame encrassée.	Voir les instructions de nettoyage dans la section <i>Entretien</i> .
Le moteur force lors d'une coupe longitudinale.	Lame incorrecte pour la coupe longitudinale.	Remplacer la lame pour coupe longitudinale.

GARANTIE

GARANTIE D'ENTRETIEN DE 3 ANS SUR LES OUTILS ÉLECTRIQUES À MAIN ET D'ÉTABLI RIDGID®

Une preuve d'achat doit être présentée pour toute demande de réparation sous garantie.

Cette garantie se limite aux outils électriques à main et d'établi RIDGID® achetés à partir du 1/2/04. Ce produit est fabriqué par One World Technologies, Inc., sous licence de marque de RIDGID, Inc. Toutes les correspondances relatives à la garantie doivent être adressées à One World Technologies, Inc. à l'intention de: Service technique des outils motorisés à main et d'établi RIDGID, au 1-866-539-1710 (appel gratuit).

POLITIQUE DE SATISFACTION ASSURÉE DE 90 JOURS

En cas de non satisfaction pour quelque raison que ce soit au cours des 90 jours suivant la date d'achat de cet outil à main ou d'établi RIDGID®, il pourra être retourné au point de vente pour échange ou remboursement intégral. Pour obtenir un outil en échange, l'équipement original devra être retourné, dans son emballage d'origine, accompagné d'une preuve d'achat. L'outil fourni en échange sera couvert par la garantie limitée pour le restant de la période de validité de 3 ANS.

CE QUI EST COUVERT PAR LA GARANTIE LIMITÉE DE 3 ANS

Cette garantie sur les outils électriques à main et d'établi RIDGID® couvre tous les vices de matériaux et de fabrication, ainsi que les articles de consommation courants, tels que balais, mandrins, moteurs, commutateurs, cordons, engrenages et même les batteries d'outils sans fil de cet outil RIDGID®, pour une période de trois ans, à compter de la date d'achat. Les garanties d'autres produits RIDGID® peuvent être différentes.

RÉPARATIONS SOUS GARANTIE

Pour toute réparation sous garantie, cet outil RIDGID® devra être retourné, en port payé, à un centre de réparations RIDGID® pour outils motorisés à main et d'établi agréé. L'adresse du centre de réparations agréé le plus proche peut être obtenue en appelant le 1-866-539-1710 (appel gratuit), ou en accédant au site Internet RIDGID®, www.ridgid.com. Le reçu de vente daté doit être présenté lors de toute demande de réparation sous garantie. Le centre de réparations agréé corrigera tout défaut de fabrication et réparera ou remplacera (à notre choix) gratuitement, toute pièce défectueuse.

CE QUI N'EST PAS COUVERT

La garantie ne couvre que l'acheteur au détail original et n'est pas transférable. Cette ne couvre pas les problèmes de fonctionnement, défaillances ou autres défauts résultant d'un usage incorrect ou abusif, de la négligence, de la modification, de l'altération ou de réparations effectuées par quiconque autre qu'un centre de réparations d'outils motorisés à main et d'établi RIDGID® agréé. Les articles de consommation fournis avec cet outil, tels que, mais sans y être limité, les lames, embouts et abrasifs, ne sont pas couverts.

ONE WORLD TECHNOLOGIES, INC. NE FAIT AUCUNE AUTRE GARANTIE, REPRÉSENTATION OU PROMESSE CONCERNANT LA QUALITÉ ET LES PERFORMANCES DE CET OUTIL ÉLECTRIQUE, AUTRES QUE CELLES EXPRESSÉMENT INDIQUÉES DANS LE PRÉSENT DOCUMENT.

AUTRES LIMITATIONS

Sous réserve que les lois en vigueur le permettent, toutes les garanties implicites sont exclues, y compris les GARANTIES DE VALEUR MARCHANDE ou D'ADÉQUATION À UN USAGE PARTICULIER. Toutes les garanties implicites, y compris les garanties de valeur marchande ou d'adéquation à un usage particulier ne pouvant pas être exclues en raison des lois en vigueur, sont limitées à une durée de trois ans, à compter de la date d'achat. One World Technologies, Inc. et RIDGID, Inc. déclinent toute responsabilités pour les dommages directs ou indirects. Certains états et provinces ne permettant pas de limitation sur la durée des garanties implicites, et/ou l'exclusion ou la limitation des dommages directs ou indirects, les restrictions ci-dessus peuvent ne pas être applicables. Cette garantie donne au consommateur des droits spécifiques, et celui-ci peut bénéficier d'autres droits, qui varient selon les états ou provinces.

One World Technologies, Inc.

P.O. Box 1427

Anderson, SC 29622

REGLAS DE SEGURIDAD GENERALES

ADVERTENCIA:

Lea y comprenda todas las instrucciones. El incumplimiento de las instrucciones señaladas abajo puede causar descargas eléctricas, incendios y lesiones corporales serias.

LEA TODAS LAS INSTRUCCIONES

- **FAMILIARÍCESE CON SU HERRAMIENTA ELÉCTRICA.** Lea cuidadosamente el manual del operador. Aprenda los usos y limitaciones de la sierra, así como los posibles peligros específicos de esta herramienta.
- **PROTÉJASE DE DESCARGAS ELÉCTRICAS EVITANDO TOCAR CON EL CUERPO SUPERFICIES CONECTADAS A TIERRA.** Por ejemplo, tubos, radiadores, estufas y cajas de refrigeradores.
- **MANTENGA LAS PROTECCIONES COLOCADAS** y en buenas condiciones de trabajo.
- **RETIRE TODA LLAVE Y HERRAMIENTA DE AJUSTE.** Hágase el hábito de comprobar que se haya retirado de la herramienta eléctrica toda llave y herramienta de ajuste antes de encenderla.
- **MANTENGA LIMPIA LA ZONA DE TRABAJO.** Una mesa o zona de trabajo mal despejada es causa común de accidentes. **NO** deje herramientas o piezas de madera en la sierra mientras esté funcionando.
- **NO UTILICE LA HERRAMIENTA EN ENTORNOS PELIGROSOS.** No utilice herramientas eléctricas en lugares húmedos o mojados ni las exponga a la lluvia. Mantenga bien iluminada el área de trabajo.
- **MANTENGA ALEJADOS A LOS NIÑOS Y DEMÁS CIRCUNSTANTES.** Todos los presentes deben usar anteojos de seguridad y permanecer a una distancia segura del área de trabajo. No permita que ninguno de los presentes toque la herramienta ni la extensión eléctrica mientras la unidad esté funcionando.
- **HAGA SU TALLER A PRUEBA DE NIÑOS,** con candados, interruptores maestros y retirando las llaves de arranque.
- **NO FUERCE LA HERRAMIENTA.** Funcionará mejor y con mayor seguridad si se usa a la velocidad de avance para la que fue diseñada.
- **USE LA HERRAMIENTA APROPIADA EN CADA CASO.** No fuerce la herramienta ni ningún accesorio a efectuar tareas para las que no fueron hechos. No la use para propósitos no indicados en las instrucciones.
- **USE UN CABLE DE EXTENSIÓN ADECUADO.** Asegúrese de que la extensión eléctrica esté en buen estado. Si se utiliza un cable de extensión, debe ser del calibre suficiente para soportar la corriente que consume el producto. Un cordón de grosor insuficiente causará una caída del voltaje de línea, lo que produce recalentamiento y pérdida de potencia. Se recomienda un calibre mínimo de **14** (A.W.G.) para cables de extensión de 7,6 metros (25 pies) de largo o menos. Si tiene alguna duda, utilice un cable del calibre más grueso siguiente. Cuanto menor es el número de calibre, tanto mayor es el grosor del cordón.
- **USE ROPA ADECUADA.** No use ropa holgada, guantes flojos, corbata ni alhajas. Podrían engancharse y tirar de

usted hacia partes en movimiento. Si tiene el pelo largo, cúbrase para que quede recogido.

- **SIEMPRE PÓNGASE LA PROTECCIÓN OCULAR CON PROTECCIÓN LATERAL MARCADA CONFORME AL ANSI Z87.1.** Si no cumple esta advertencia, los objetos que salen despedidos pueden producirle lesiones serias en los ojos.
- **AFIANCE LA PIEZA DE TRABAJO.** Cuando convenga, sujete la pieza de trabajo con peine de sujeción. Es más seguro que detenerla manualmente y así ambas manos quedan libres para manejar la herramienta.
- **NO ESTIRE DEMASIADO.** Mantenga una postura firme y buen equilibrio en todo momento.
- **PROPORCIONE MANTENIMIENTO CON CUIDADO A LAS HERRAMIENTAS.** Manténgalas afiladas y limpias para que funcionen mejor y sin riesgos. Siga las instrucciones referentes al cambio y lubricación de accesorios.
- **DESCONECTE LAS HERRAMIENTAS.** Todas las herramientas deben desconectarse cuando ya no vayan a usarse o cuando deban cambiarse aditamentos, hojas de corte, brocas, fresas, etc.
- **EVITE UN ARRANQUE ACCIDENTAL DE LA UNIDAD.** Antes de conectar la herramienta a la corriente, compruebe que el interruptor esté en posición de apagado.
- **USE LOS ACCESORIOS RECOMENDADOS.** Consulte este manual del operador, donde aparecen los accesorios recomendados. El empleo de accesorios inadecuados puede plantear el riesgo de lesiones.
- **NO SE PARE NUNCA EN LA HERRAMIENTA.** Pueden producirse lesiones graves si la herramienta eléctrica se vuelca o si se toca accidentalmente la herramienta de corte.
- **INSPECCIONE LAS PIEZAS DAÑADAS.** Antes de seguir utilizando la herramienta, es necesario inspeccionar cuidadosamente toda protección o pieza dañada, para verificar si funcionará correctamente y cumplirá la función a la que está destinada. Compruebe que las partes móviles estén bien alineadas y que no estén trabadas, que no haya piezas rotas, el montaje de las partes y cualquier otra condición que pudiera afectar su funcionamiento. Toda protección o pieza que esté dañada debe repararse apropiadamente o reemplazarse en un centro de servicio autorizado.
- **AVANCE LA PIEZA DE TRABAJO EN LA DIRECCIÓN CORRECTA.** Empuje la pieza de trabajo hacia la hoja o herramienta de corte solamente contra el sentido de rotación de ésta.
- **NUNCA DEJE DESATENDIDA LA HERRAMIENTA FUNCIONANDO. APAGUE LA CORRIENTE.** No se aleje de la herramienta hasta ver que se detenga totalmente.
- **PROTÉJASE LOS PULMONES.** Use una careta o mascarilla contra el polvo si la operación de corte genera mucho polvo.
- **PROTÉJASE EL OÍDO.** Durante períodos largos de uso de la unidad póngase protección para los oídos.
- **NO MALTRATE EL CABLE ELÉCTRICO.** Nunca tire del cable para desconectarlo de la toma de corriente. Mantenga el cable eléctrico alejado del calor, del aceite y de bordes afilados.

REGLAS DE SEGURIDAD GENERALES

- **AL UTILIZAR UNA HERRAMIENTA ELÉCTRICA EN EL EXTERIOR, UTILICE UN CORDÓN ELÉCTRICO DE EXTENSIÓN QUE LLEVE LAS MARCAS “W-A” O “W”.** Estos cordones eléctricos están aprobados para el uso en exteriores y reducen el riesgo de descargas eléctricas.
- **SIEMPRE MANTENGA EL PROTECTOR DE LA HOJA Y EL CUCHILLA SEPARADORA (ABRIDORA) EN SU LUGAR** y en buenas condiciones de funcionamiento.
- **MANTENGA LAS HOJAS DE CORTE LIMPIAS Y AFILADAS.** Las hojas de corte afiladas reducen al mínimo los paros y los contragolpes.
- **MANTENGA LAS MANOS ALEJADAS DEL ÁREA DE CORTE.** Mantenga las manos alejadas de la hoja de corte. No meta las manos por abajo de la pieza de trabajo ni alrededor o por encima de la hoja de corte mientras ésta está girando. No intente retirar ningún material cortado mientras la hoja de corte esté girando.
- **LA HOJA DE CORTE CONTINÚA GIRANDO POR INERCIA DESPUÉS DE APAGAR LA UNIDAD.**
- **NUNCA UTILICE LA UNIDAD EN UNA ATMÓSFERA EXPLOSIVA.** El chispeo normal del motor podría encender los gases presentes.
- **REVISE PERIÓDICAMENTE LOS CABLES DE LA HERRAMIENTA.** Si están dañados, llévelos a un centro de servicio autorizado para que los revise un técnico de servicio calificado. El conductor con aislamiento que tiene una superficie exterior verde con o sin tiras amarillas es el conductor de conexión a tierra del equipo. Si el cable o la clavija necesitan reparación o reemplazo, no conecte el conductor de conexión a tierra a una terminal portadora de corriente. Repare o reemplace de inmediato todo cable dañado o gastado. Tenga presente siempre la ubicación del cable y manténgalo bien alejado de la hoja giratoria.
- **REVISE PERIÓDICAMENTE LOS CABLES DE EXTENSIÓN** y reemplácelos si están dañados.
- **CONECTE A TIERRA TODA HERRAMIENTA ELÉCTRICA.** Si la herramienta está provista de una clavija de tres puntas, debe conectarse en un enchufe eléctrico de tres polos.
- **CONSULTE A UN ELECTRICISTA CALIFICADO** o técnico de servicio si no ha comprendido completamente las instrucciones de conexión a tierra o si no está seguro de que la herramienta está bien conectada a tierra.
- **USE SOLAMENTE LOS DISPOSITIVOS ELÉCTRICOS CORRECTOS:** cables de extensión de 3 conductores, con clavijas de tres puntas y contactos de tres polos que acepten la clavija del cable de la herramienta.
- **NO MODIFIQUE** la clavija suministrada. Si no entra en la toma de corriente, llame a un electricista calificado para que instale una toma de corriente adecuada.
- **MANTENGA LA HERRAMIENTA SECA, LIMPIA Y LIBRE DE ACEITE Y GRASA.** Siempre utilice un paño limpio para limpiar la unidad. No use nunca líquido para frenos, gasolina, productos a base de petróleo ni solventes para limpiar la herramienta.
- **PERMANEZCA ALERTA Y EN CONTROL.** Preste atención a lo que esté haciendo y aplique el sentido común. No utilice la herramienta cuando esté cansado. No haga las cosas con prisas.
- **NO USE LA HERRAMIENTA SI EL INTERRUPTOR NO ENCIENDE O NO APAGA.** Todo interruptor defectuoso debe llevarse a reparar a un centro de servicio autorizado.
- **USE SÓLO LAS HOJAS DE CORTE CORRECTAS.** No use hojas con orificios de tamaño incorrecto. Nunca utilice arandelas ni pernos de hoja de corte que estén dañados o no sean los adecuados. La sierra admite hojas de un diámetro máximo de 254 mm (10 pulg.).
- **ANTES DE EFECTUAR UN CORTE VERIFIQUE QUE TODOS LOS COMPONENTES PRESENTEN EL AJUSTE CORRECTO.**
- **ASEGÚRESE DE QUE NO HAYA CLAVOS EN LA TRAYECTORIA DE LA HOJA.** Inspeccione la madera en busca de clavos y elimínelos todos antes de empezar a cortar.
- **NUNCA TOQUE LA HOJA** ni ninguna otra pieza en movimiento durante el funcionamiento de la unidad.
- **NUNCA ARRANQUE LA HERRAMIENTA CUANDO UN COMPONENTE GIRATORIO ESTÉ EN CONTACTO CON LA PIEZA DE TRABAJO.**
- **NO UTILICE NINGUNA HERRAMIENTA SI SE ENCUENTRA BAJO LOS EFECTOS DE DROGAS, ALCOHOL O MEDICAMENTOS.**
- **AL DAR MANTENIMIENTO** a la unidad, utilice solamente piezas de repuesto idénticas. El empleo de piezas diferentes puede causar un peligro o dañar el producto.
- **UTILICE SOLAMENTE LOS ACCESORIOS** señalados en este manual o en los apéndices. El uso de accesorios no mencionados en este manual plantea el riesgo de que ocurran lesiones corporales. Cada accesorio se acompaña de instrucciones para su uso sin riesgos.
- **REVISE DOS VECES TODA LA CONFIGURACIÓN DE LA HERRAMIENTA.** Asegúrese de que la hoja esté apretada y de que no toque la sierra ni la pieza de trabajo antes de conectar la unidad al suministro de corriente.

REGLAS DE SEGURIDAD ESPECÍFICAS




- **ATORNILLE FIRMEMENTE LA SIERRA A UN BANCO DE TRABAJO O PEDESTAL DE PATAS** aproximadamente a la altura de la cintura.
- **SIEMPRE ASEGÚRESE DE QUE LA SIERRA DE MESA ESTÉ FIRMEMENTE MONTADA EN UN BANCO DE TRABAJO O EN UN PEDESTAL DE PATAS APROBADO. NUNCA UTILICE LA SIERRA COLOCADA EN EL PISO.**
- **PROTÉJASE DE UN CONTRAGOLPE.** El contragolpe sucede cuando la hoja se detiene rápidamente y la pieza de trabajo sale proyectada hacia el operador. Puede tirar de la mano hacia la hoja y producir lesiones corporales graves. Manténgase fuera de la trayectoria de la hoja y apague de inmediato el interruptor si la hoja se traba o se detiene.

REGLAS DE SEGURIDAD ESPECÍFICAS







- **USE LA GUÍA DE CORTE AL HILO.** Siempre utilice una guía o una regla (tira recta) al efectuar cortes al hilo.
- **APOYE LOS PANELES GRANDES.** Para reducir al mínimo el riesgo de que la hoja de corte se trabe y se produzca un contragolpe, apoye debidamente los paneles grandes.
- **RETIRE TODAS LAS GUÍAS Y MESAS AUXILIARES** antes de transportar la sierra. De lo contrario, puede producirse un accidente que origine lesiones corporales graves.
- **SIEMPRE USE EL PROTECTOR DE LA HOJA DE CORTE, EL CUCHILLA SEPARADORA Y LOS TRINQUETES ANTICONTRAGOLPE** en todas las operaciones de “aserrado con traspaso”. Las operaciones de aserrado con traspaso son aquéllas en que la hoja corta traspasando completamente la pieza de trabajo, como en el corte al hilo o el transversal. Mantenga abajo el protector de la hoja y los trinquetes anticontragolpe, y el separador en su lugar, por encima de la hoja.
- **SIEMPRE ASEGURE LA PIEZA DE TRABAJO** firmemente contra la guía de corte al hilo o la guía de corte a inglete.
- **AL CORTE LONGITUDINAL ESTRECHE ACCIONES,** siempre utilice un palo empujadora, bloque empujador, vaivén (para el corte al hilo pieza de trabajo), o peine de sujeción.
- **AL HACER CORTES AL HILO NO PASANTE,** siempre utilice un palo empujadora, bloque empujador y/o peine de sujeción tan sus manos no vienen dentro de 3 pulg. de la hoja de sierra.
- **SIEMPRE UTILICE UN PALO DE EMPUJAR AL ASERRAR AL HILO PIEZAS ANGOSTAS.** Un palo empujador es un implemento que sirve para empujar la pieza de trabajo por la hoja de corte en lugar hacerlo con las manos. El tamaño y la forma pueden variar, pero el palo de empujar siempre debe ser más angosto que la pieza de trabajo, para evitar que toque la hoja de la sierra. Al aserrar al hilo material estrecho, use siempre un palo de empujar, o la sierra vaivén mencionado en la sección **Cómo hacer un serrado (para piezas de trabajo de cortes transversales estrechos)** de este manual, de manera que la mano no se acerque a la hoja de la sierra. Para cortes parciales sin traspaso utilice un peine y bloques empujadores.
- **NUNCA** realice ninguna operación “a pulso”, o sea nunca use solamente las manos para dar apoyo o guiar la pieza de trabajo. Siempre use la guía de corte al hilo o la guía de corte a inglete y oriente la pieza de trabajo.
- **NUNCA** se pare ni tenga ninguna parte del cuerpo en línea con la trayectoria de la hoja de la sierra.
- **NUNCA** se estire por detrás o por encima de la hoja o herramienta de corte, ni a menos de 76 mm (3 pulg.) de ésta, con ninguna mano, por ninguna razón.
- **HAGA A UN LADO LA GUÍA DE CORTE AL HILO** al efectuar cortes transversales.
- **NUNCA** utilice la guía de corte al hilo como guía tope al efectuar cortes transversales.
- **NUNCA** intente liberar la hoja de la sierra cuando esté trabada, sin antes **APAGAR** y desconectar la sierra de la toma de corriente.
- **APOYE ADECUADAMENTE** la parte posterior y los lados de la mesa de la sierra al cortar piezas de trabajo anchas o largas.
- **EVITE CONTRAGOLPES** (que la pieza de trabajo salga lanzada hacia usted) haciendo lo siguiente:
 - a) Mantenga limpia la hoja.
 - b) Mantenga la guía de corte al hilo paralela a la hoja de la sierra.
 - c) Mantenga el cuchilla separador, los trinquetes anti-contragolpe y el protector de la hoja en su lugar y en buenas condiciones de funcionamiento.
 - d) No suelte la pieza de trabajo hasta haberla hecho pasar por completo por la sierra, con un empujador.
 - e) No corte al hilo piezas de trabajo torcidas o combas o que no tengan un canto recto que permita dirigir las por la guía de corte al hilo.
- **SI ESTÁ DAÑADO EL CORDÓN DE CORRIENTE,** debe ser reemplazado únicamente por el fabricante o en un centro de servicio autorizado para evitar riesgos.
- **EVITE OPERACIONES Y POSICIONES EXTRAÑAS DE LAS MANOS** en las cuales un deslizamiento rápido puede hacer que la mano toque la herramienta de corte.
- **USE SOLAMENTE LOS ACCESORIOS** señalados en este manual o en los apéndices. El uso de accesorios no mencionados en este manual plantea el riesgo de que ocurran lesiones corporales. Cada accesorio se acompaña de instrucciones para su uso sin riesgos.
- **ASEGÚRESE DE QUE TODA EL ÁREA DE TRABAJO ESTÉ BIEN ILUMINADA** para ver la pieza de trabajo y que ninguna obstrucción impida una operación segura **ANTES** de efectuar cualquier trabajo con la sierra.
- **SIEMPRE APAGUE LA SIERRA** antes de desconectarla, para evitar un arranque accidental de la misma al volver a conectarla al suministro de corriente.
- **UTILICE SOLAMENTE LAS HOJAS** dentro de la gama del espesor estampó en el cuchilla separador.
- **ESTA HERRAMIENTA** tendrá los siguientes avisos:
 - a) Póngase protección ocular.
 - b) Utilice la protección de la hoja y el cuchilla separadora en toda operación en la que pueda usarse, como el aserrado con traspaso.
 - c) Mantenga las manos alejadas de la línea de la hoja de corte.
 - d) Cuando se requiera, utilice un palo de empujar.
 - e) Preste especial atención a las instrucciones sobre cómo reducir el riesgo de un contragolpe.
 - f) No efectúe a pulso ninguna operación.
 - g) Nunca trate de alcanzar nada cerca o por encima de la hoja de corte.
- **NUNCA CORTE MÁS DE UN PEDAZO DE MATERIAL A LA VEZ.**
- **GUARDE ESTAS INSTRUCCIONES.** Consúltelas con frecuencia y empléelas para instruir a otros usuarios. Si presta a alguien esta herramienta, facilítele también las instrucciones.

SÍMBOLOS

Las siguientes palabras de señalización y sus significados tienen el objeto de explicar los niveles de riesgo relacionados con este producto.

SÍMBOLO	SEÑAL	SIGNIFICADO
	PELIGRO:	Indica una situación peligrosa, la cual, si no se evita, causará la muerte o lesiones serias.
	ADVERTENCIA:	Indica una situación peligrosa, la cual, si no se evita, podría causar la muerte o lesiones serias.
	PRECAUCIÓN:	Indica una situación peligrosa, la cual, si no se evita, podría causar lesiones menores o leves.
	AVISO:	(Sin el símbolo de alerta de seguridad) Indica la información que se considera importante, pero no relacionada con lesiones potenciales (por ej. en relación a daños a la propiedad).

Es posible que se empleen en esta herramienta algunos de los siguientes símbolos. Le suplicamos estudiarlos y aprender su significado. Una correcta interpretación de estos símbolos le permitirá utilizar mejor y de manera más segura la herramienta.

SÍMBOLO	NOMBRE	DENOMINACIÓN/EXPLICACIÓN
	Alerta de seguridad	Indica un peligro posible de lesiones personales.
	Lea el manual del operador	Para reducir el riesgo de lesiones, el usuario debe leer y comprender el manual del operador antes de usar este producto.
	Protección ocular	Siempre póngase protección ocular con protección lateral con la marca de cumplimiento de la norma ANSI Z87.1.
	Símbolo de no acercar las manos	Si no mantiene las manos alejadas de la hoja de corte, se causará serias lesiones corporales.
	Alerta de condiciones húmedas	No exponga la unidad a la lluvia ni la use en lugares húmedos.
	Peligro de pellizco	Siempre observe el movimiento prestando atención en particular a lugares donde puede ocurrir un pellizco.
V	Volts	Voltaje
A	Amperes	Corriente
Hz	Hertz	Frecuencia (ciclos por segundo)
min	Minutos	Tiempo
~	Corriente alterna	Tipo de corriente
n_0	Velocidad en vacío	Velocidad de rotación, en vacío
.../min	Por minuto	Revoluciones, carreras, velocidad superficial, órbitas, etc., por minuto

ASPECTOS ELÉCTRICOS

CORDONES DE EXTENSIÓN

Sólo utilice cordones de extensión de 3 conductores con clavijas de tres patillas y receptáculos de tres polos que acepten la clavija del cordón de la herramienta. Al utilizar una herramienta eléctrica a una distancia considerable del suministro de corriente, asegúrese de utilizar un cordón de extensión del grueso suficiente para soportar el consumo de corriente de la herramienta. Un cordón de extensión de un grueso insuficiente causa una caída en el voltaje de línea, además de producir una pérdida de potencia y un recalentamiento del motor. Básese en la tabla suministrada abajo para determinar el calibre mínimo requerido de los conductores del cordón de extensión. Solamente deben utilizarse cordones con forro redondo registrados en Underwriter's Laboratories (UL).

**Amperaje (aparece en la placa frontal)

0-2,0 2,1-3,4 3,5-5,0 5,1-7,0 7,1-12,0 12,1-16,0

Longitud del cordón	Calibre conductores (A.W.G.)					
25'	16	16	16	16	14	14
50'	16	16	16	14	14	12
100'	16	16	14	12	10	—

**Se usa en los circuitos de calibre 12, 20 amp.

NOTA: AWG = Calibre conductores norma americana

Al trabajar a la intemperie con el producto, utilice un cordón de extensión fabricado para uso en el exterior. Tal característica está indicada con las letras "W-A" o "W" en el forro del cordón.

Antes de utilizar un cordón de extensión, inspecciónelo para ver si tiene conductores flojos o expuestos y aislamiento cortado o gastado.

ADVERTENCIA:

Mantenga el cordón de extensión fuera del área de trabajo. Al trabajar con una herramienta eléctrica, coloque el cordón de tal manera que no pueda enredarse en la madera, herramientas ni en otras obstrucciones. La inobservancia de esta advertencia puede causar lesiones serias.

ADVERTENCIA:

Inspeccione los cordones de extensión cada vez antes de usarlos. Si están dañados reemplácelos de inmediato. Nunca utilice la herramienta con un cordón dañado, ya que si toca la parte dañada puede producirse una descarga eléctrica, y las consecuentes lesiones serias.

CONEXIÓN ELÉCTRICA

Esta herramienta está impulsada por un motor eléctrico fabricado con precisión. Debe conectarse únicamente a una línea de voltaje de 120 V, de corriente alterna solamente (corriente normal para uso doméstico), 60 Hz. No utilice esta herramienta con corriente continua (c.c.). Una caída considerable de voltaje causa la pérdida de potencia y el recalentamiento del motor. Si la sierra no funciona al conectarla en una toma de corriente, vuelva a revisar el suministro de corriente.

VELOCIDAD Y CABLEADO

La velocidad en vacío de esta producto es de 5 000 pies/min (914 m/min) aproximadamente. Esta velocidad no es constante y disminuye durante el corte o con un voltaje bajo. En cuanto al voltaje, el cableado de un taller es tan importante como la potencia nominal del motor. Una línea destinada sólo para luces no puede alimentar el motor de una herramienta eléctrica. El cable con el calibre suficiente para una distancia corta será demasiado delgado para una mayor distancia. Una línea que alimenta una herramienta eléctrica quizá no sea suficiente para alimentar dos o tres herramientas.

INSTRUCCIONES DE CONEXIÓN A TIERRA

Este producto debe conectarse a tierra. En caso de un mal funcionamiento o desperfecto, la conexión a tierra brinda a la corriente eléctrica una trayectoria de mínima resistencia para disminuir el riesgo de una descarga eléctrica. Esta herramienta está equipada de un cordón eléctrico con un conductor y una clavija de conexión a tierra para equipo. La clavija debe conectarse en una toma de corriente igual que esté instalada y conectada a tierra correctamente, de conformidad con los códigos y reglamentos de la localidad.

No modifique la clavija suministrada. Si no entra en la toma de corriente, llame a un electricista calificado para que instale una toma de corriente adecuada.

ADVERTENCIA:

Si se conecta de forma incorrecta el conductor de conexión a tierra del equipo puede presentarse un riesgo de descarga eléctrica. Si es necesaria la reparación o reemplazo del cordón eléctrico o de la clavija, no conecte el conductor de conexión a tierra a una terminal portadora de corriente. El conductor con aislamiento que tiene una superficie exterior verde con o sin tiras amarillas es el conductor de conexión a tierra del equipo.

Consulte a un electricista calificado o técnico de servicio si no ha comprendido completamente las instrucciones de conexión a tierra o si no está seguro si la herramienta está bien conectada a tierra.

Repáre o reemplace de inmediato todo cordón dañado o gastado.

Este producto se debe usar con un circuito de 120 V nominales y tiene una clavija de conexión a tierra similar a la clavija que se muestra en la figura 1. Conecte el producto únicamente a una toma de corriente que tenga la misma configuración que la clavija. No use un adaptador con este producto.

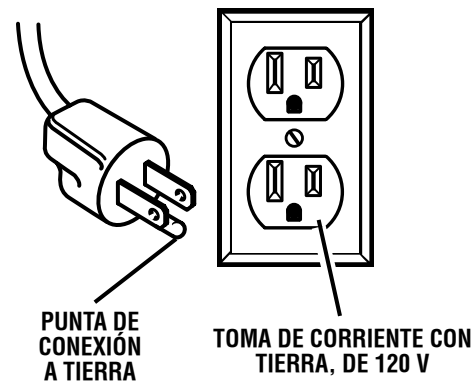


Fig. 1

GLOSARIO DE TÉRMINOS

Trinquetes anticontragolpe (sierras radiales y de mesa)

Es un dispositivo, el cual, cuando se instala y da mantenimiento correctamente, sirve para detener la pieza de trabajo para no ser lanzada hacia atrás, hacia la parte frontal la sierra durante una operación de corte al hilo.

Árbol

Es el eje donde se monta una hoja o herramienta de corte.

Corte en bisel

Es una operación de corte efectuada con la hoja a un ángulo diferente de 90° con respecto a la superficie de la mesa.

Chaflán

Es un corte efectuado para eliminar una cuña de un bloque de manera que el extremo (o una parte del mismo) quede a un ángulo diferente de 90°.

Corte combinado

Es un corte transversal efectuado a inglete y a bisel.

Corte transversal

Es una operación de corte o fresado efectuada a través de la fibra o ancho de la pieza de trabajo.

Cabeza de corte (cepillos normales y de juntas)

Es una cabeza de corte giratoria con hojas o cuchillas ajustables. Las hojas o cuchillas eliminan material de la pieza de trabajo.

Corte de ranura (sierras de mesa y sierras ingleteadoras deslizantes combinadas)

Un corte no pasante que produce una muesca cuadrada, de tres lados o en V en la pieza de trabajo.

Peine de sujeción (sierras de mesa)

Es un dispositivo empleado como ayuda para controlar la pieza de trabajo guiándola con seguridad contra la mesa o la guía durante las operaciones de corte al hilo.

PPM o CPM

Pies por minuto (o carreras por minuto), se emplea refiriéndose al movimiento de la hoja.

A pulso

Es efectuar un corte sin guiar la pieza de trabajo con ninguna guía, guía de ingletes ni ningún otro medio.

Goma

Es el residuo pegajoso de savia presente en la madera.

Talón

Es la alineación de la hoja con respecto a la guía de corte al hilo.

Corte

Es la cantidad de material eliminado por la hoja en un corte completo con traspaso, o en una ranura producida por la hoja en un corte sin traspaso o parcial.

Contragolpe

Es un peligro que puede ocurrir cuando la hoja se atora o se atasca, y lanza la pieza de trabajo hacia atrás, en la dirección de la hoja giratoria.

Corte a inglete

Es una operación de corte efectuada con la pieza de trabajo a un ángulo diferente de 90° con respecto a la hoja.

Cortes sin traspaso (sierras de mesa y sierras ingleteadoras deslizantes combinadas)

Es cualquier operación de corte en la cual la hoja de corte no traspasa completamente el espesor de la pieza de trabajo. Este

es un corte en el cual la hoja no corta la pieza de trabajo en dos pedazos.

Agujero guía (taladradoras de columna y sierras caladoras)

Es un agujero pequeño taladrado en una pieza de trabajo, el cual sirve como guía para taladrar con precisión agujeros más grandes.

Bloques empujadores (para cepillos de juntas)

Son dispositivos empleados para avanzar la pieza de trabajo por el cepillo de juntas durante cualquier operación. Este medio ayuda al operador a mantener las manos alejadas de la cabeza de corte.

Bloques y palos empujadores (para sierras de mesa)

Son dispositivos empleados para avanzar la pieza de trabajo a través de la sierra durante operaciones de corte. Para las operaciones de cortes al hilo angostos debe emplearse un palo empujador (no un bloque empujador). Estos medios ayudan al operador a mantener las manos alejadas de la hoja de corte.

Rebaje

Un corte no pasante ubicado en el extremo o borde de la pieza de trabajo que produce una muesca cuadrada, de dos lados o en V en la pieza de trabajo.

Reaserrado (sierras de mesa y sierras de banda)

Es una operación de corte efectuada para reducir el espesor de la pieza de trabajo para hacer piezas más delgadas.

Resina

Es la sustancia pegajosa a base de savia que se endurece.

Revoluciones por minuto (RPM)

Es el número de vueltas realizadas por un objeto en movimiento de giro en un minuto.

Corte longitudinal o al hilo (sierras de mesa)

Es una operación de corte paralela al largo de la pieza de trabajo y generalmente en la dirección del grano.

Cuchilla separadora/Abridor/Separador (sierras de mesa)

Es una pieza metálica, levemente más delgada que la hoja, la cual se emplea para mantener abierto el corte y también ayuda a evitar un contragolpe.

Trayectoria de la hoja de la sierra

Es el área encima, abajo, detrás o delante de la hoja. En relación con la pieza de trabajo, es el área que será o ha sido cortada por la hoja.

Redondeo de aristas (cepillos)

Es una depresión hecha en cualquiera de los dos extremos de una pieza de trabajo por las cuchillas de corte cuando no se proporciona un apoyo adecuado a la pieza de trabajo.

Cónico Corte

Un corte donde el material para ser corte tiene una anchura diferente al principio del corte del el fin.

Aserrado con traspaso

Es cualquier operación de corte en la cual la hoja de corte traspasa completamente el espesor de la pieza de trabajo. Este tipo de corte separa la pieza de trabajo simple en dos pedazos.

Pieza de trabajo o material

Es la pieza a la que se efectúa la operación.

Mesa

Es la superficie sobre la cual descansa la pieza de trabajo mientras se le efectúa una operación de corte, taladrado, cepillado o lijado.

CARACTERÍSTICAS

ESPECIFICACIONES DEL PRODUCTO

Árbol de la hoja de corte 16 mm (5/8 pulg.)
Diámetro de la hoja 254 mm (10 pulg.)
Inclinación bisel 0° - 45°
Especificaciones eléctricas 120 V~, 15 A, 60 Hz,

Velocidad en vacío 5 000 r/min (RPM)
Profundidad de corte a 0°: 82,6 mm (3-1/4 pulg.)
Profundidad de corte a 45°: 60,3 mm (2-3/8 pulg.)

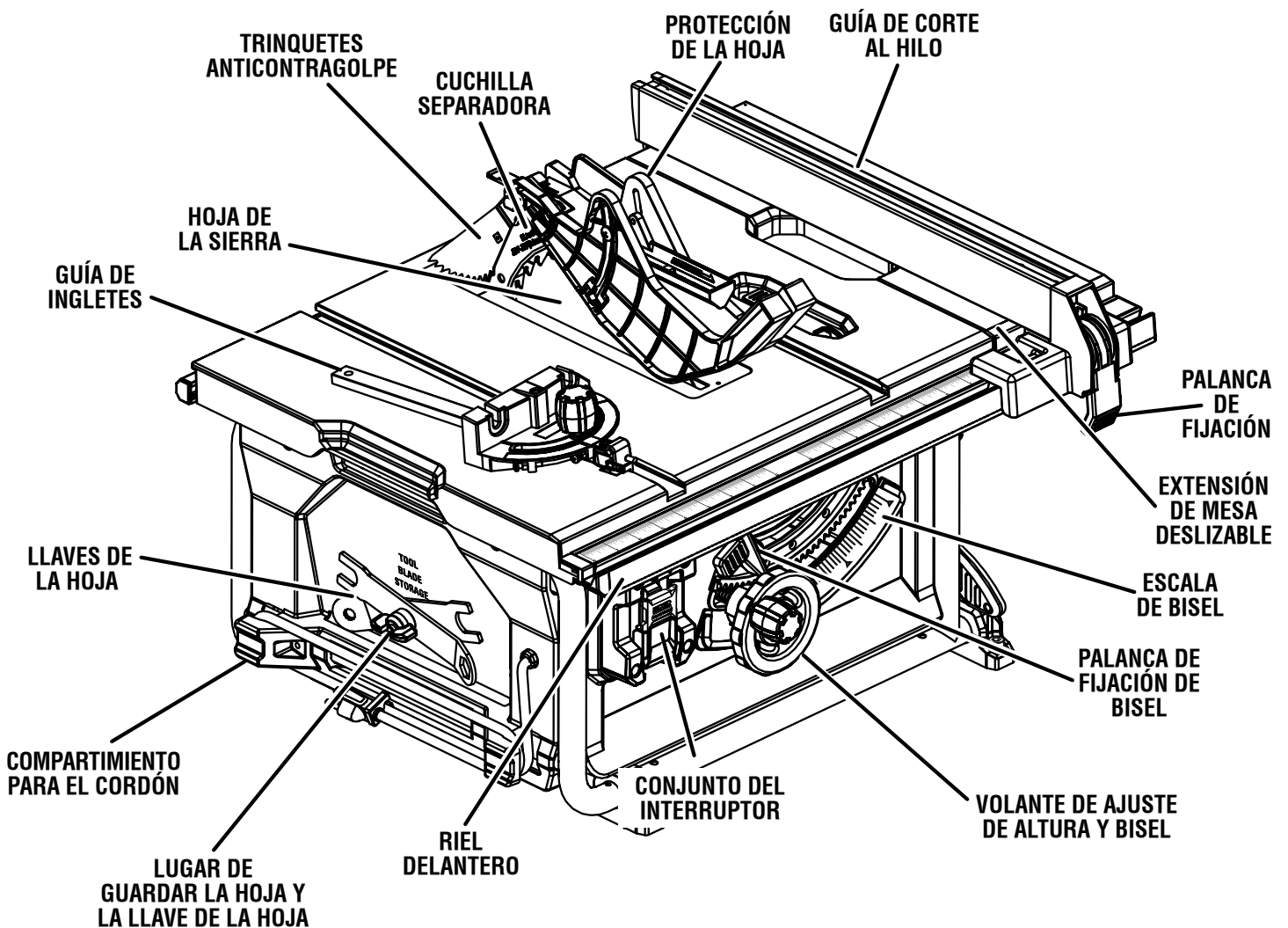


Fig. 2

CARACTERÍSTICAS

FAMILIARÍCESE CON LA SIERRA DE MESA

Vea la figura 2.

El uso seguro que este producto requiere la comprensión de la información impresa en la herramienta y en el manual del operador así como ciertos conocimientos sobre el proyecto a realizar. Antes de usar este producto, familiarícese con todas las características de funcionamiento y normas de seguridad.

TRINQUETES ANTICONTRAGOLPE - El contragolpe es un peligro en el cual la pieza de trabajo resulta lanzada hacia atrás, en dirección del operador. Los separable trinquetes anticontragolpe apuntan hacia la dirección opuesta de la pieza de trabajo. En caso de que ésta resulte empujada hacia el operador, entonces los dientes muerden la madera para impedir o reducir la posibilidad de un contragolpe.

PALANCA DE FIJACIÓN DE BISEL - Esta palanca, situada justo bajo la superficie de la mesa de la sierra al frente de la caja de la sierra, sirve para fijar el ángulo de la hoja.

ESCALA DE BISEL - Esta escala de fácil lectura situada en la parte frontal de la caja de la sierra muestra el ángulo exacto de la hoja de corte.

HOJA - Para un óptimo desempeño, se recomienda el uso de la hoja de corte de 254 mm (10 pulg.) con puntas de carburo suministrada con la sierra. La hoja se sube y baja con el volante de ajuste de altura. Los ángulos de bisel se fijan con la palanca de fijación de bisel. Hay disponibles estilos adicionales de hojas de corte de la misma alta calidad para operaciones específicas tales como el corte al hilo. El distribuidor de la localidad puede proporcionarle la información completa.

La anchura del corte debe estar dentro de los límites estampados en el cuchilla separadora.

ADVERTENCIA:

Asegúrese de usar únicamente hojas con velocidad nominal mínima inferior a la de esta herramienta. Pregunte en la tienda local al menudeo de su preferencia.

PROTECCIÓN DE LA HOJA - Siempre mantenga la separable protección de la hoja sobre ésta al efectuar cortes con traspaso del espesor de la pieza.

VOLANTE DE AJUSTE DE ALTURA Y BISEL - Este volante, situado en la parte delantera de la armazón de la unidad, sirve para subir y bajar la hoja con el fin de efectuar ajustes a la altura de la misma, o reemplazarla y para ajuste del ángulo de bisel.

GUÍA DE INGLETES - La guía de ingletes sirve para alinear la pieza de trabajo para cortes transversales. Este indicador de fácil lectura muestra el ángulo exacto para cortes a inglete, y tiene topes a 90° y a 45°.

RANURAS DE LA GUÍA DE INGLETES - La guía de ingletes se desplaza por las ranuras de la mesa de la sierra.

GUÍA DE CORTE AL HILO - Es una resistente guía metálica que sirve de apoyo a la pieza de trabajo y se fija con la manija de bloqueo. Las ranuras están colocadas a lo largo de la parte superior y en los lados de la guía de corte al hilo para permitir el uso de mordazas (prensas) y accesorios optativos.

ESCALA DE CORTE AL HILO - Esta escala de corte al hilo de fácil lectura se encuentra en el riel delantero, y permite obtener mediciones exactas en los cortes al hilo.

CUCHILLA SEPARADORA - Es una separable pieza metálica, levemente más delgada que la hoja de la sierra, la cual se emplea para mantener abierto el corte y evitar así un contragolpe. Cuando en el por lanzamiento, o “arriba” posición, es más alto que la hoja de sierra. Cuando en el corte no pasante que aserrado, o “hacia abajo” posición, está debajo de los dientes de hoja de sierra.

EXTENSIÓN DE MESA DESLIZABLE - Estas extensión de mesa están situadas a derecho de la mesa de la sierra, y brindan al operador soporte adicional al cortar piezas de trabajo anchas.

arranqueSUAVE - esta sierra está equipada con arranqueSUAVE. EL arranqueSUAVE lleva gradualmente el motor a la velocidad de funcionamiento al reducir electrónicamente la carga y la torsión en el arranque inicial. EL arranqueSUAVE minimiza la probabilidad de activación de disyuntores.

CONJUNTO DEL INTERRUPTOR - Esta sierra de mesa dispone de un conjunto del interruptor de fácil acceso ubicado bajo el riel delantero. Para asegurar el interruptor en la posición de **APAGADO**, retire la llave del interruptor. Coloque la llave en un lugar inaccesible a los niños y a otras personas no calificadas para el uso de la herramienta.

CARACTERÍSTICAS

COMPONENTES EMPLEADOS EN EL MANEJO DE LA UNIDAD

La porción superior de la hoja sobresale de la mesa, y está rodeada por un inserto llamado placa de la garganta. La altura de la hoja se fija por medio de un volante ubicado en la parte frontal de la caja. Se incluyen instrucciones detalladas para los cortes básicos en la sección *Funcionamiento* de este manual: cortes rectos transversales, cortes en inglete, cortes en bisel y cortes compuestos.

La guía de corte al hilo se emplea para acomodar la pieza de trabajo con el fin de efectuar cortes longitudinales. Una escala situada en el riel delantero muestra la distancia existente entre la guía de corte al hilo y la hoja.

Es muy importante utilizar el conjunto de protección de la hoja en todas las operaciones de corte con traspaso. El conjunto protector de la hoja cortadora incluye: una cuchilla separadora, trinquetes anticontragolpe y protección de la hoja.

CONJUNTO DEL INTERRUPTOR

Vea la figura 3.

Esta sierra está equipada con un conjunto del interruptor dotado de cerradura de llave integrada. Esta característica tiene la finalidad de evitar el uso no autorizado y posiblemente peligroso por niños y otras personas.

PARA ENCENDER LA SIERRA:

- Para encenderla, introduzca la llave en el interruptor y levante el botón del mismo a la posición de encendido (I).

PARA APAGAR LA SIERRA:

- Para apagarla, baje el interruptor a la posición de apagado (O).

PARA ASEGURAR LA SIERRA:

- Oprima hacia abajo el interruptor.
- Retire la llave del interruptor y guárdela en un lugar seguro.

⚠ ADVERTENCIA:

Cuando no esté en uso la herramienta, **SIEMPRE** retire la llave del interruptor y guárdela en un lugar seguro. En caso de un apagón, ponga el interruptor en la posición de apagado (O) y retire la llave. De esta manera se evita un arranque por accidente de la herramienta al restablecerse la corriente.

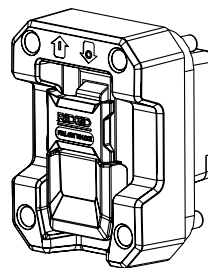
⚠ ADVERTENCIA:

SIEMPRE asegúrese de que la pieza de trabajo no toque la hoja antes de accionar el interruptor para encender la herramienta. La inobservancia de esta advertencia puede causar el lanzamiento violento de la pieza de trabajo hacia el operador, con consiguientes posibles lesiones serias.

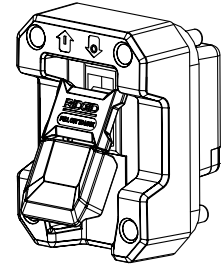
⚠ ADVERTENCIA:

Para reducir el riesgo de un arranque accidental, siempre asegúrese de que el interruptor esté en la posición de apagado (O), antes de conectar la herramienta en la toma de corriente.

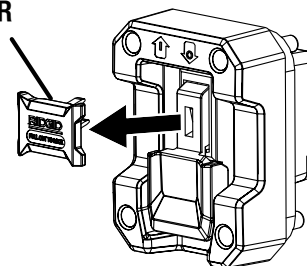
INTERRUPTOR EN POSICIÓN DE APAGADO



INTERRUPTOR EN POSICIÓN DE ENCENDIDO



LLAVE DEL INTERRUPTOR RETIRADA



INTERRUPTOR EN POSICIÓN ASEGURADA

Fig. 3

HERRAMIENTAS NECESARIAS

Se necesitan las siguientes herramientas (no incluido o dibujado para escalar) para el armado y efectuar ajustes:

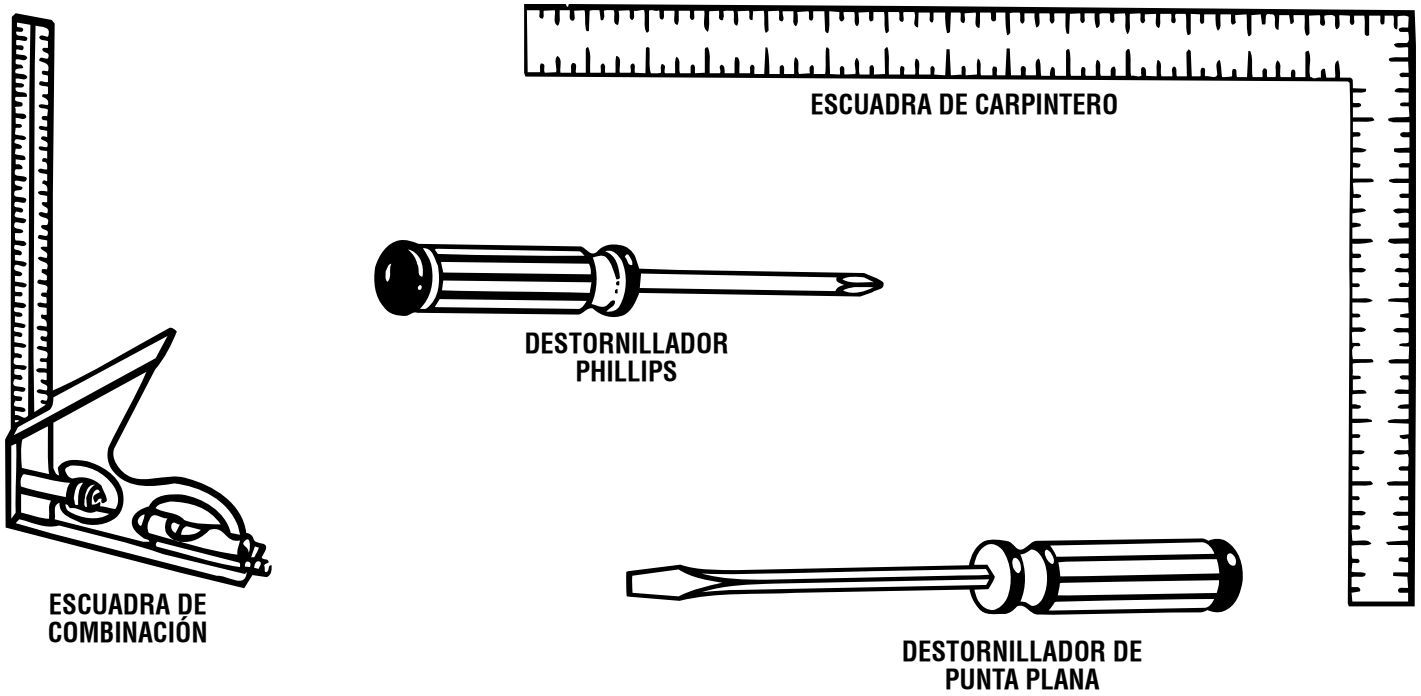


Fig. 4

PIEZAS SUeltas

Con la sierra de mesa vienen incluidos los siguientes artículos:

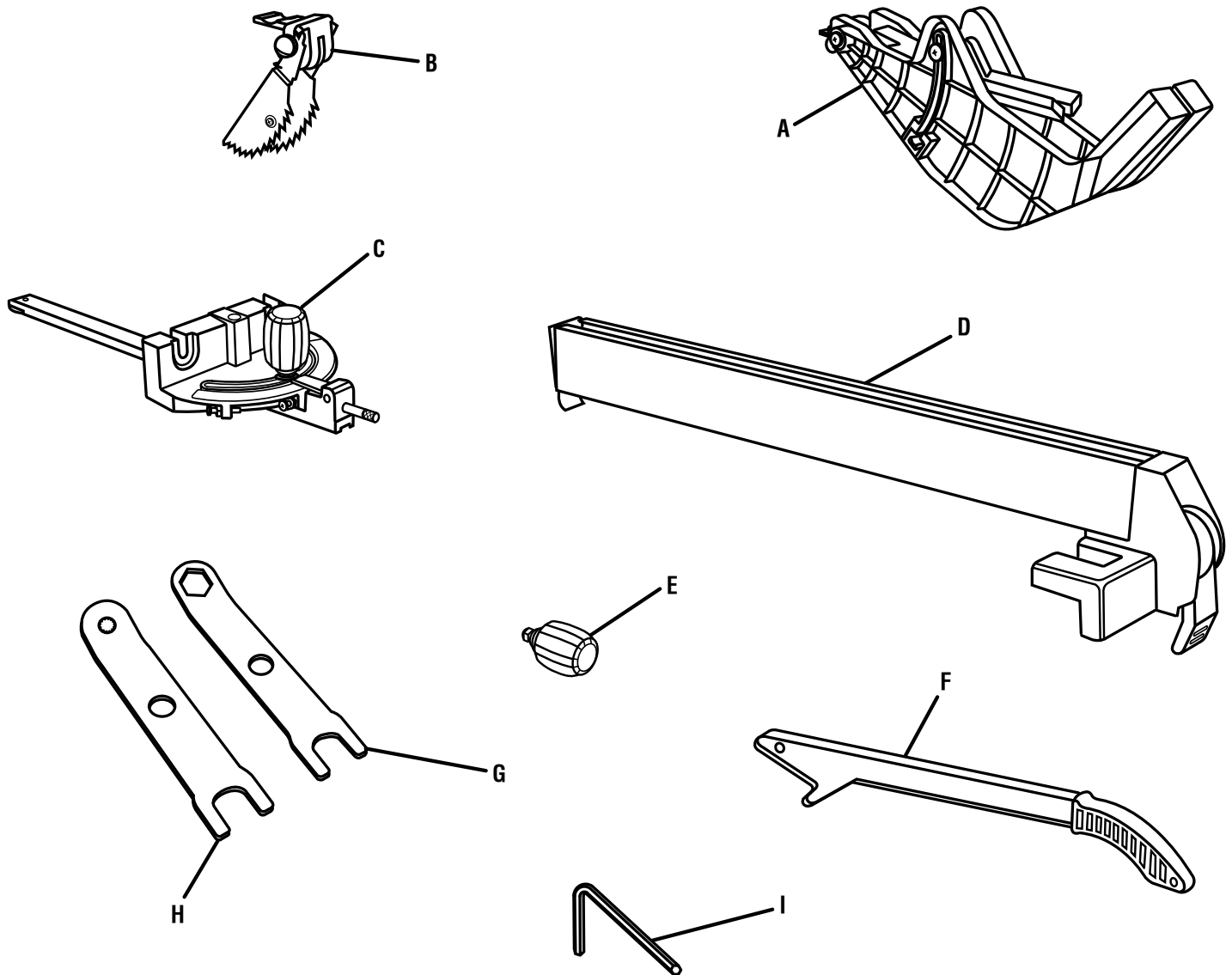


Fig. 5

A. Protección de la hoja.....	1	F. Palos empujadora.....	1
B. Trinquetes anticontragolpe	1	G. Llave de la hoja, grande.....	1
C. Guía de ingletes.....	1	H. Llave de la hoja, pequeña.....	1
D. Guía de corte al hilo.....	1	I. Llave hexagonal, 5 mm.....	1
E. Conjunto de mango	1		

ARMADO

DESEMPAQUETADO

Este producto requiere armarse.

- Levante cuidadosamente de la caja la sierra y colóquela sobre una superficie de trabajo nivelada.

ADVERTENCIA:

No utilice este producto si alguna pieza incluida en la lista de piezas sueltas (o lista de contenido) ya está ensamblada al producto cuando lo desempaqueta. El fabricante no ensambla las piezas de esta lista en el producto. Éstas deben ser instaladas por el usuario. El uso de un producto que puede haber sido ensamblado de forma inadecuada podría causar lesiones personales graves.

-
- Inspeccione cuidadosamente la herramienta para asegurarse de que no haya sufrido ninguna rotura o daño durante el transporte.
 - No deseche el material de empaquetado sin haber inspeccionado cuidadosamente la herramienta y haberla utilizado satisfactoriamente.

NOTA: Retire el bloque de espuma del área intermedia-situada entre el alojamiento de la sierra y el motor por bisel primero la hoja (vea la página 24).

- La sierra viene ajustada desde la fábrica para realizar cortes exactos. Después de armarla verifique la exactitud de la misma. Si en el envío resultaron afectados los ajustes, consulte los procedimientos específicos explicados en este manual.
- Si hay alguna parte dañada o faltante, llame al 1-866-539-1710, donde le brindaremos asistencia.

ADVERTENCIA:

Si hay piezas dañadas o faltantes, no utilice esta herramienta sin haber reemplazado todas las piezas. Usar este producto con partes dañadas o faltantes puede causar lesiones serias al operador.

ADVERTENCIA:

No intente modificar esta herramienta ni hacer accesorios no recomendados para ella. Cualquier alteración o modificación constituye un uso indebido, y puede crear una situación peligrosa que culmine en lesiones corporales graves.

ADVERTENCIA:

No conecte la unidad al suministro de corriente sin haber terminado de armarla. De lo contrario la unidad puede ponerse en marcha accidentalmente, con el consiguiente riesgo de lesiones corporales serias.

ADVERTENCIA:

No levante la sierra sin ayuda. Sosténgala cerca de su cuerpo. Mantenga dobladas las rodillas y levante con las piernas, no con la espalda. Si ignora estas medidas de precaución, puede causarse lesiones en la columna.

ADVERTENCIA:

Nunca se pare directamente en la misma línea de la hoja ni acerque las manos a menos de 76,2 mm (3 pulg.) de ella. No trate de alcanzar nada extendiendo el brazo por encima o alrededor de la hoja. La falta de atención a esta advertencia puede redundar en lesiones graves.

ARMADO

⚠ ADVERTENCIA:

Para evitar lesiones graves, siempre asegúrese de que la sierra de mesa esté firmemente montada en un banco de trabajo o en un pedestal de patas aprobado. NUNCA utilice la sierra colocada en el piso.

AGUJEROS DE MONTAJE

La sierra de mesa debe montarse en una superficie de soporte firme, como un banco de trabajo o un pedestal de patas, que posiciona la mesa de la sierra a la altura de la cintura. Hay cuatro agujeros para perno en la base de la sierra para este fin. Cada uno de los cuatro agujeros de montaje debe estar atornillado firmemente con pernos de máquina de 6,35 mm (1/4 pulg.), arandelas de seguridad y tuercas hexagonales (no vienen incluidos). Los pernos deben ser de la suficiente longitud para dar acomodo a la base de la sierra, las arandelas de seguridad, las tuercas hexagonales y el espesor del banco de trabajo. Apriete firmemente los cuatro pernos.

Después del montaje revise cuidadosamente el banco de trabajo para asegurarse de que no haya ocurrido ningún desplazamiento. Si el banco de trabajo se inclina, desliza o camina, asegúrelo al piso antes de utilizar la unidad.

PARA GUARDAR LOS ACCESORIOS DE LA SIERRA DE MESA

Vea las figuras 6 y 7.

A sierra de mesa ofrece dos útiles áreas de guardar (una a cada lado de la armazón de la unidad) diseñadas específicamente para los accesorios de la herramienta.

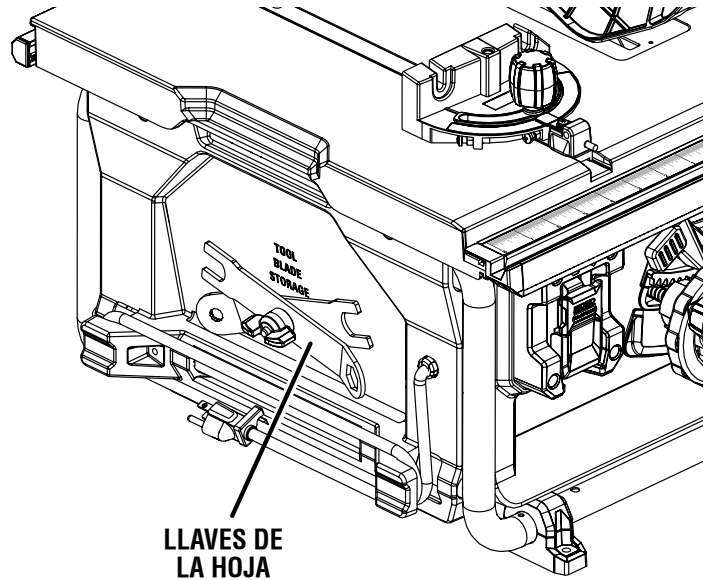


Fig. 6

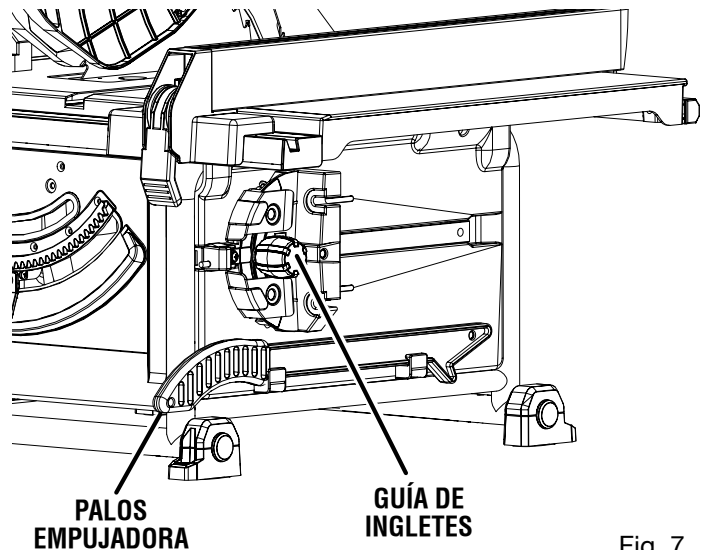


Fig. 7

ARMADO

PARA INSTALAR CONJUNTO DE MANGO

Vea la figura 8.

- Levante la tapa del extremo del conjunto de mango con un destornillador de punta plana.
- Sujete firmemente la tuerca de seguridad y gire a la izquierda el tornillo para quitar la tuerca.

NOTA: No retire el tornillo del mango, ni la arandela del extremo del tornillo.

- Coloque la tuerca de seguridad en el agujero en hueco de la parte trasera del volante de ajuste de altura y manténgala en su lugar.
- Introduzca el mango, el tornillo y la arandela en el agujero del volante de ajuste de altura.
- Con un destornillador de punta plana gire a la derecha el tornillo y apriételo.
- Coloque a presión la tapa en el extremo del mango.

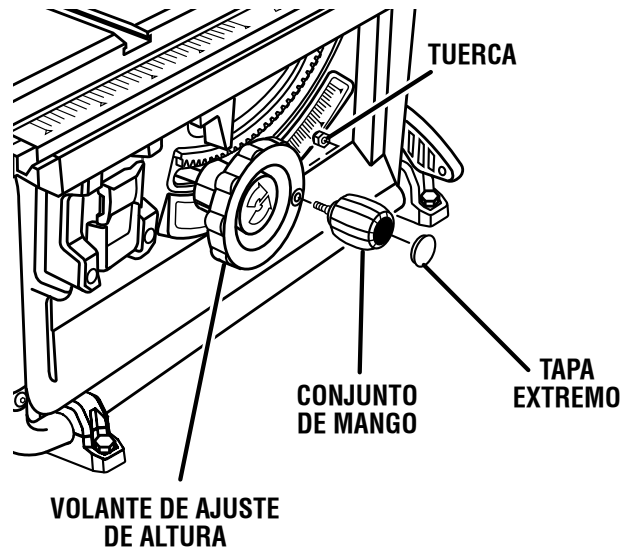


Fig. 8

PARA QUITAR Y PONER LA PLACA DE LA GARGANTA

Vea la figura 9.

⚠ ADVERTENCIA:

La placa de la garganta debe estar a nivel con la mesa de la sierra. Si la placa de la garganta está demasiado alta o demasiado baja, la pieza de trabajo puede engancharse en los bordes desiguales y resultar en atoramientos o contragolpes, lo cual podría causar lesiones corporales serias. Verifique que la placa de la garganta esté correctamente asentada. Si la placa de la garganta no está nivelada, no intente usar la sierra. Comuníquese con el servicio al cliente para obtener asistencia.

- Gire a la derecha el volante de ajuste de altura para bajar la hoja de la sierra.
- Para sacar la placa de garganta, coloque el índice dedo en el agujero y levante el extremo frontal y tire del mismo hacia el frente de la sierra.
- Para volver a instalar la placa de la garganta, deslice primero la orejeta hacia adentro de la ranura situada en la parte posterior de la sierra y entonces apriete asegurar en el lugar.

PARA CAMBIAR POSICIÓN UN CUCHILLA SEPARADORA

Vea la figura 10.

La sierra es enviado con el cuchilla separadora colocó en la posición “abajo” para cortes no pasante y debe estar ser colocado en la posición “arriba” para todas las otras operaciones de cortes.

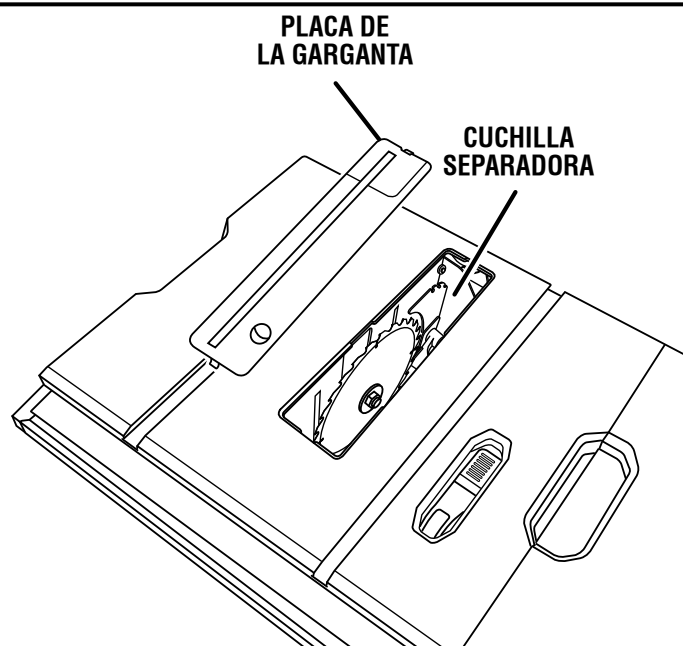


Fig. 9

⚠ PRECAUCIÓN:

Tenga cuidado al meter las manos dentro de la garganta de la mesa de la sierra. El contacto con la hoja, incluso cuando esté detenida, podría causar lesiones en las manos o los brazos.

- Desconecte la sierra.

Para colocar en la posición de “arriba” para todo por cortes pasante:

- Desmontaje de la placa de la garganta.
- Eleve la hoja de la sierra, para ello, gire a la izquierda el volante de ajuste de altura y bisel.
- Desbloquear la palanca de afloje tirandolo arriba.

ARMADO

- Alcanse el cuchilla separadora y tire hacia lado derecho del sierra para soltar de la el separador de la munis de ressorts de la abrazadera cuchilla separadora.
- Tire el cuchilla separadora hasta que los pasadores interno son enganchada et el separador esté arriba del hoja de la sierra.
- Asegurar la palanca de afloje empujando la palanca hacia abajo.

⚠ ADVERTENCIA:

Asegúrese de que la palanca de afloje esté completamente bloqueada. Si le resulta complicado bloquear la palanca de afloje, limpie sus componentes de manera exhaustiva con aire comprimido o un trapo suave y limpio. Si no bloquea la palanca de afloje por completo, la cuchilla separadora podría cambiar de posición durante el uso de la sierra, lo que podría, a su vez, resultar en lesiones personales graves.

- Réinstalar de la placa de la garganta.

Para colocar en la posición de “abajo” para todo por cortes no pasante:

- Desmontaje de la placa de la garganta.
- Eleve la hoja de la sierra, para ello, gire a la izquierda el volante de ajuste de altura y bisel.
- Desbloquear la palanca de afloje tirandolo arriba.
- Empuje hacia abajo el cuchillo separadora hasta que esté debajo del hoja de la sierra.
- Asegurar la palanca de afloje empujando la palanca hacia abajo.
- Réinstalar de la placa de la garganta.

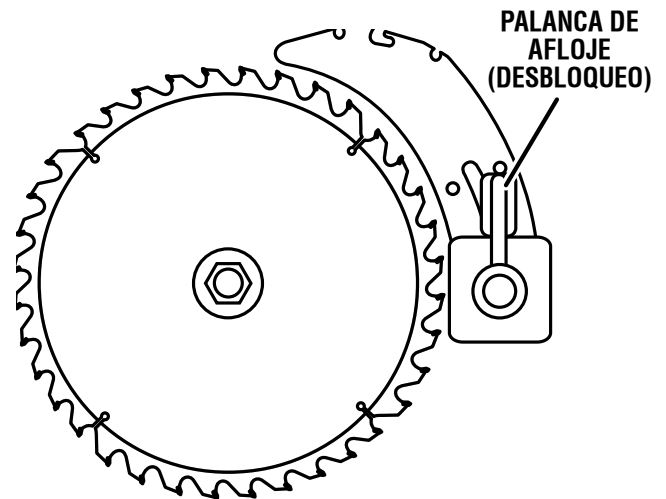
PARA REVISAR LA INSTALACIÓN DE LA HOJA DE LA SIERRA

Vea la figura 11.

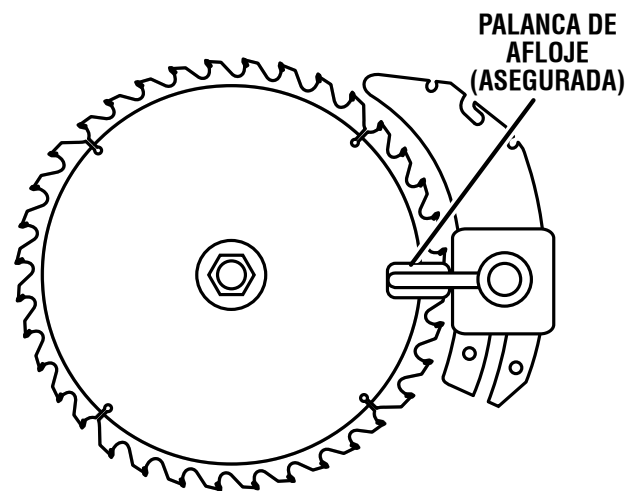
AVISO:

Para funcionar correctamente, los dientes de la hoja deben apuntar hacia la parte frontal de la sierra, hacia abajo. De lo contrario podrían causarse daños a la hoja, a la sierra o a la pieza de trabajo.

- Desconecte la sierra.
- Baje la hoja de la sierra, para ello, gire a la derecha el volante de ajuste de altura y bisel. y quite la placa de la garganta.
- Asegúrese de que la palanca de fijación de bisel esté fijamente a la izquierda. Suba la hoja a su máxima altura; para ello, gire a la izquierdo el volante de ajuste de altura y bisel.
- Colocar cuchilla separadora en la posición “arriba”.



EN POSICIÓN SEPARADOR PARA TODO POR PASANTE



EN POSICIÓN CUCHILLA SEPARADORA PARA TODO CORTAR DE NO PASANTE

Fig. 10

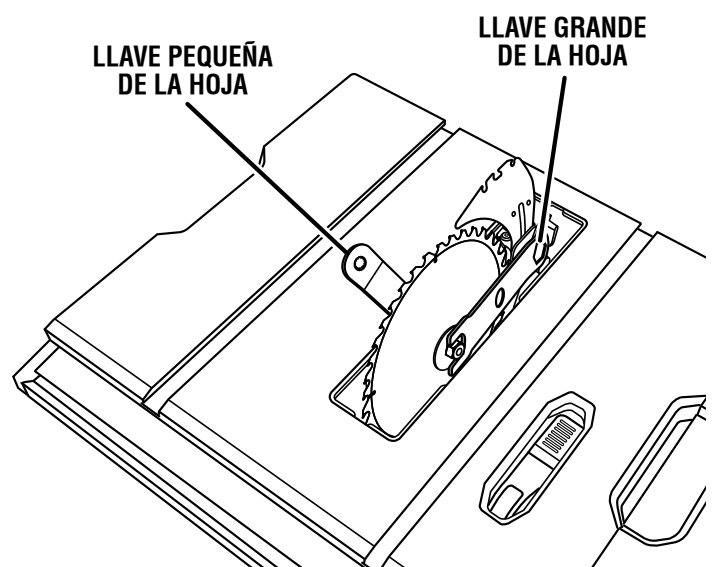


Fig. 11

ARMADO

Para aflojar la hoja:

- Coloque el extremo abierto plano de la llave pequeña de la hoja en las partes planas del árbol.
- Coloque el extremo cerrado de la llave grande de la hoja en la tuerca hexagonal. Sujetando firmemente ambas llaves, tire de la llave pequeña hacia la parte delantera de la máquina.

Para apretar la hoja:

- Coloque el extremo abierto plano de la llave pequeña de la hoja en las partes planas del árbol.
- Coloque el extremo cerrado de la llave grande de la hoja en la tuerca hexagonal. Sujetando firmemente ambas llaves, empuje la llave grande hacia la parte posterior de la máquina. Asegúrese de que la tuerca de la hoja esté firmemente apretada. No efectúe un apriete excesivo.
- Vuelva a instalar la placa de la garganta.

Verifique la existencia de los espacios necesarios para permitir el giro libre de la hoja. Consulte el apartado **Para revisar y alinear cuchilla separadora y la hoja**.

PARA INSTALAR EL TRANQUETES ANTI-CONTRAGOLPE Y PROTECCIÓN DE LA HOJA

Veá las figuras 12 a 14.

⚠ ADVERTENCIA:

Instale siempre la protección de la hoja y las garras que no permiten el retroceso en la cuchilla separadora en la posición “ascendente” para suministrar una cobertura de hoja adecuada. Instalar los componentes protectores en la cuchilla separadora en otra posición evitará que funcione tal como fue diseñada, lo que podría incrementar el riesgo de lesiones personales graves.

⚠ ADVERTENCIA:

Reemplace trinquetes lánguidos o dañado trinquetes anticontragolpe. Embote o dañó trinquetes no pueden parar una contragolpe que aumenta el riesgo de lesiones corporales serias.

NOTA: Los trinquetes anticontragolpe sólo deben ser instalados para cortes pasante.

- Desconecte la sierra.
- Levante la hoja de sierra.
- Colocar cuchilla separadora en la posición “arriba”.

Para instalar el tranquetes anticontragolpe:

- Presione y sostenga el botón en el lado derecho de los trinquetes anticontragolpe.
- Alinee la ranura en los trinquetes sobre el último muesca en el cuchilla separadora.

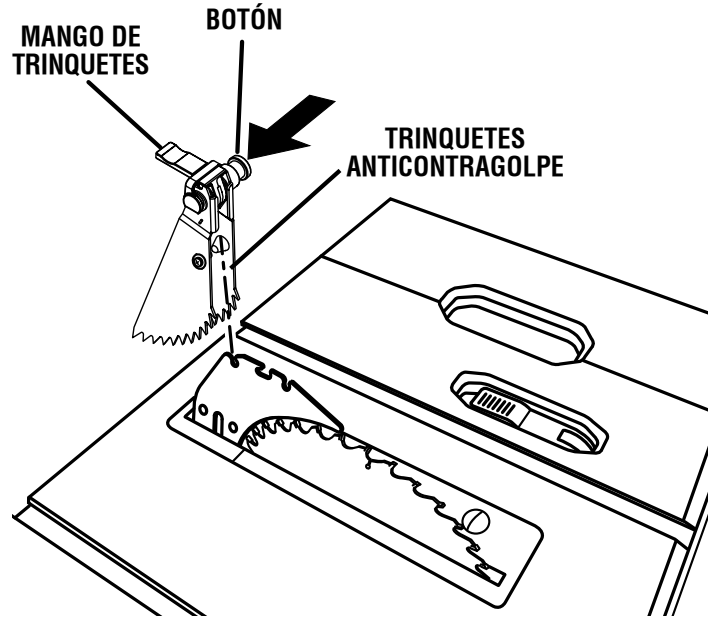


Fig. 12

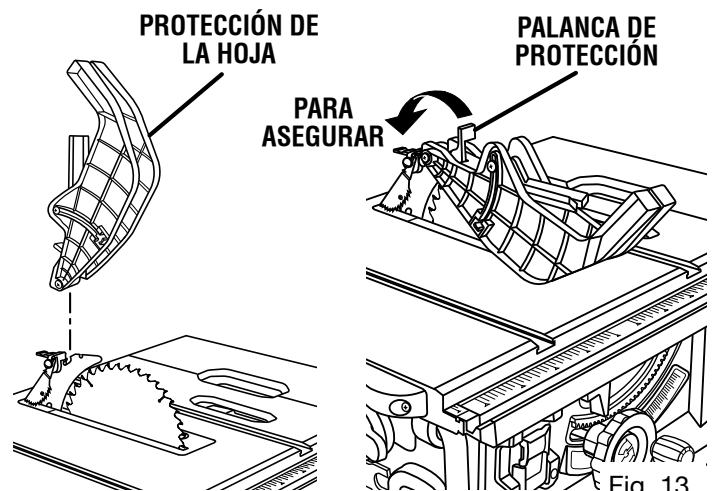


Fig. 13

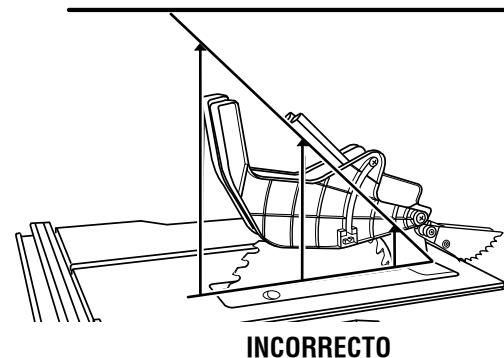
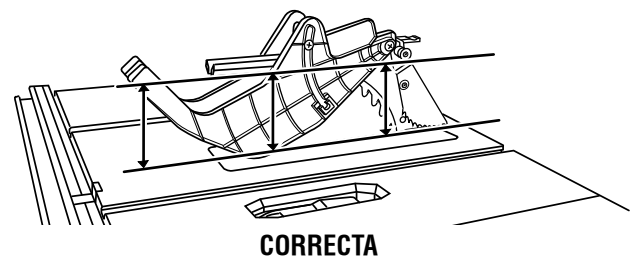


Fig. 14

ARMADO

- Apriete los mango de trinquetes los chasquearlos colocar en lugar y botón de afloje.

NOTA: Tire del mango para asegurarse trinquetes son cerrados firmemente.

Para instalar el protección de la hoja:

- Con la frente del protección de la hoja levantó y la palanca de protección desbloqueado, baja la espalda del protección en el hoyo mediano del cuchilla separadora. Empuje la frente del protección hacia abajo hasta que **sea paralelo a la mesa**. Si el protección de la hoja no es paralelo a la mesa, el cuchilla separador no está en “arriba” posición.
- Cierre al protección en el lugar empujando la palanca hacia abajo.

NOTA: La alineación de la hoja de corte con el separador se puede ajustar para hojas de diferentes espesores. Consulte el apartado **Para revisar o alinear cuchilla separadora y la hoja**. Verifique los espacios libres y la libertad de movimiento del conjunto de protección de la hoja.

PARA REVISAR Y ALINEAR CUCHILLA SEPARADORA Y LA HOJA

Vea la figura 15.

Para verificar la alineación del separador/cuchilla separadora:

- Desconecte la sierra.
- Eleve la hoja de la sierra; para ello, gire a la izquierda el volante de ajuste de altura y bisel.
- Levante los trinquetes anticontraGolpe y conjunto de protección de la hoja. Coloque una escuadra de carpintero o una regla tanto contra la hoja de la sierra como contra el cuchilla separadora.

NOTA: Coloque la escuadra de carpintero entre los dientes depunta de carburo y mida desde la hoja. Este paso asegurará quela escuadra de carpintero esté en escuadra contra la hoja desdeel frente hacia la parte trasera de la hoja.

- Se sabe que la hoja de la sierra y el cuchilla separador están alineados cuando la escuadra de carpintero toca tanto la hoja como el cuchilla separadora de manera uniforme sin espacios.

Para ajustar (horizontal y verticaly):

- Levante los trinquetes anticontraGolpe y conjunto de protección de la hoja.
- Desde la parte posterior de la sierra, afloje los tornillos de ajuste que sostienen del soporte de montaje.
- Mueva a la izquierda o derecha el cuchilla separadora según sea necesario para alinear el cuchilla separadora con la hoja de la sierra.
- Una vez debidamente alineado el conjunto, apriete firmemente todos los tornillos.
- Revise de nuevo para ver si está a escuadra y seguir ajustando efectúe los ajustes necesarios.

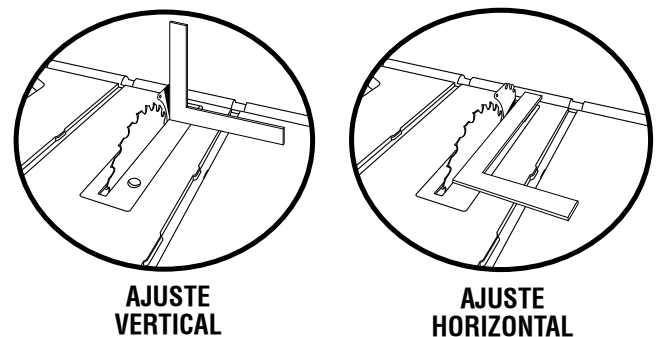
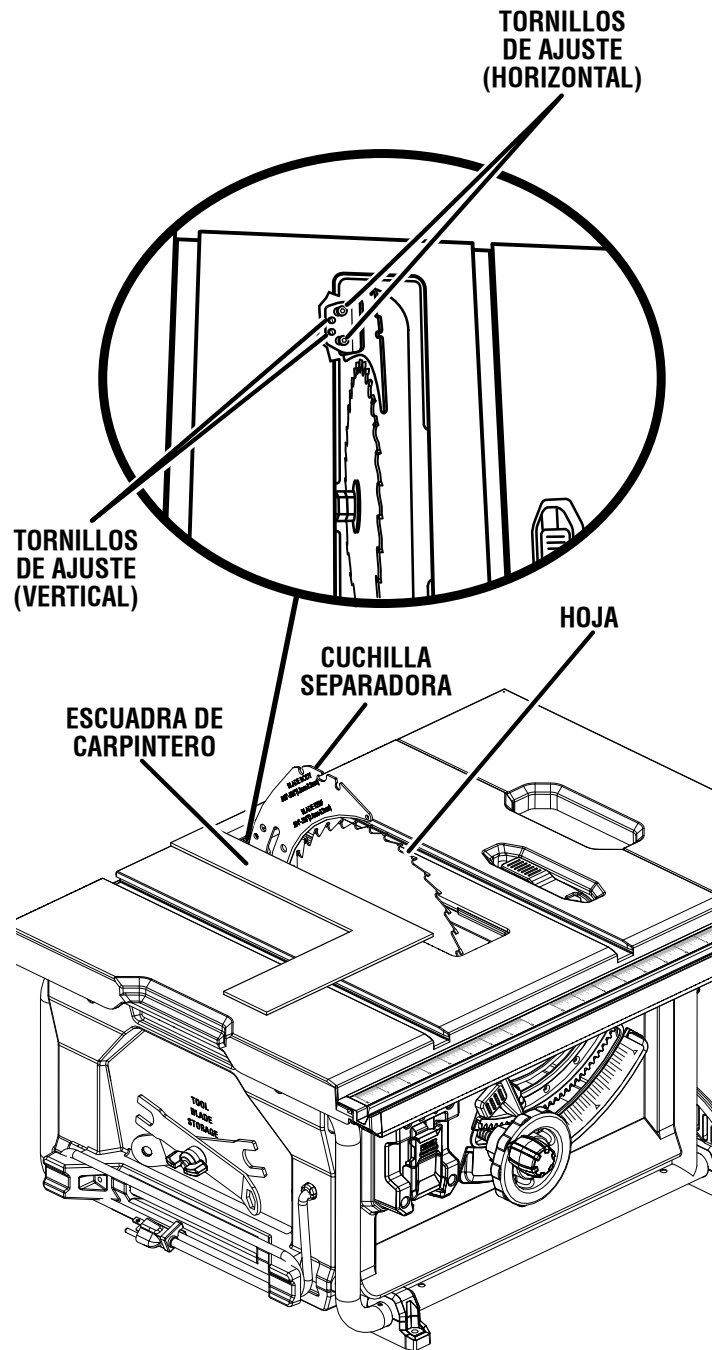


Fig. 15

FUNCIONAMIENTO

ADVERTENCIA:

No permita que su familiarización con las herramientas lo vuelva descuidado. Tenga presente que un descuido de un instante es suficiente para causar una lesión grave.

ADVERTENCIA:

Siempre póngase protección ocular con la marca de cumplimiento de la norma ANSI Z87.1. Si no cumple esta advertencia, los objetos que salen despedidos pueden producirle lesiones serias en los ojos.

ADVERTENCIA:

No utilice ningún aditamento o accesorio no recomendado por el fabricante de esta herramienta. El empleo de aditamentos o accesorios no recomendados podría causar lesiones serias.

ADVERTENCIA:

Aunque en muchas de las ilustraciones de este manual aparece la protección de la hoja quitada para mayor claridad, no utilice la sierra sin la misma, a menos que se indique así específicamente.

ADVERTENCIA:

La sierra de mesa debe montarse en una superficie la altura de la cintura de soporte firme, como un banco de trabajo o un pedestal de patas. Muchas de las ilustraciones de este manual aparece la sierra no montado para mayor claridad, no utilice la sierra sin la misma.

APLICACIONES

Esta herramienta puede emplearse para los fines enumerados abajo:

- Operaciones de corte en línea recta, como cortes transversales, cortes al hilo, cortes a inglete, cortes en bisel y cortes combinados.
- Cortes de mortajas y molduras con accesorios optativos.
- Ebanistería y carpintería.

NOTA: Esta sierra de mesa está diseñada para cortar madera y productos de composición de la misma solamente.

FUNCIONAMIENTO BÁSICO DE LA SIERRA DE MESA

La clavija de 3 puntas se debe enchufar en un receptáculo compatible adecuadamente instalado y conectado a tierra de acuerdo con las normas y códigos locales. Una conexión inadecuada del equipo puede producir una descarga eléctrica. No modifique la clavija si no entra en la toma de corriente. Contrate a un electricista calificado para que instale la toma de corriente adecuada. Consulte el apartado *Aspectos eléctricos* de este manual.

CAUSAS DE LOS CONTRAGOLPES

El contragolpe puede ocurrir cuando la hoja se atasca o dobla, lanzando la pieza de trabajo hacia atrás, hacia usted, con gran fuerza y velocidad. Si tiene las manos cerca de la hoja de la sierra, pueden soltarse de la pieza de trabajo y tocar la hoja. Un contragolpe puede causar lesiones serias. Para evitar riesgos, tenga precaución.

Cualquier acción que pellizque la hoja en la madera puede causar un contragolpe, como las siguientes:

- Hacer un corte con una profundidad incorrecta de la hoja
- Cortar nudos o clavos presentes en la pieza de trabajo
- Girar la madera al efectuar un corte
- No sujetar la pieza de trabajo
- Efectuar cortes forzados
- Cortar madera combada o húmeda
- Utilizar una hoja equivocada para el tipo de corte deseado
- No seguir los procedimientos correctos de trabajo
- Hacer mal uso de la sierra
- No utilizar los trinquetes anticontragolpe
- Cortar con una hoja desafilada, cubierta de goma o mal triscada

FORMA DE EVITAR CONTRAGOLPES

- Siempre utilice el ajuste correcto de profundidad de la hoja. La parte superior de los dientes de la hoja debe sobresalir de la pieza de trabajo de 3,18 a 6,35 mm (1/8 a 1/4 pulg.).
- Inspeccione la pieza de trabajo para ver si contiene nudos o clavos, antes de empezar a cortar. Desaloje todo nudo suelto con un martillo. Nunca corte nudos sueltos ni clavos.
- Siempre utilice la guía de corte al hilo para efectuar cortes de este tipo y la guía de ingletes para efectuar cortes transversales. Esto ayuda a evitar el giro de la madera durante el corte.
- Siempre utilice hojas limpias, afiladas y triscadas correctamente. Nunca efectúe cortes con hojas sin filo.
- Para evitar pellizcar la hoja, apoye adecuadamente la pieza de trabajo antes de iniciar un corte.
- Aplique una presión estable y uniforme al efectuar el corte. Nunca efectúe cortes forzados.

FUNCIONAMIENTO

- No corte madera combada o húmeda.
- Utilice precaución adicional al cortar algún prefinished o productos de madera de composición como los trinquetes anticontragolpe confidencial no siempre pueden ser efectivos.
- Siempre indique la pieza de trabajo con ambas manos o con palos empujadoras y/o bloques empujadores. Mantenga el cuerpo en una posición equilibrada para estar preparado para resistir un contragolpe si llega a ocurrir. Nunca se pare en línea frente a la hoja.
- El uso de un peine de sujeción ayudará a asidero el pieza de trabajo firmemente contra la mesa de sierra o guía.
- Limpie el sierra, protección de la hoja, bajo el placa de la garanta, y bajo cualquier área donde sierra o pieza de trabajo o aserrín puede reunir
- Utilice el tipo correcto de hoja para el corte por efectuar.
- Siempre utilice el cuchilla separadora para cada operación donde lo es permitido. El uso de este dispositivo reducirá mucho el riesgo de contragolpes.

AYUDAS PARA CORTAR

Vea la figura 16.

Las estacas empujadoras son dispositivos empleados para empujar la pieza de trabajo por la hoja en cualquier corte al hilo. Al hacer cortes de no pasante o longitudinal estreche acciones, siempre utilice un palo empujadora, bloque empujador y/o peine de sujeción tan sus manos no vienen dentro de 3 pulgadas de la hoja de sierra. Se pueden hacer a partir de madera de desperdicio, en varios tamaños y formas para utilizarse en proyectos específicos. El palo empujador debe ser más angosto que la pieza de trabajo, con una muesca a 90° en un extremo y la forma para sujetarlo con la mano en el otro extremo.

Una palos empujadora tiene instalado un mango fijado con tornillos empotrados por el lado inferior. Se utiliza en cortes sin traspaso del espesor de la pieza de trabajo.

PRECAUCIÓN:

Asegúrese de que los tornillos de la plancha empujadora estén en hueco para evitar dañar la sierra o la pieza de trabajo.

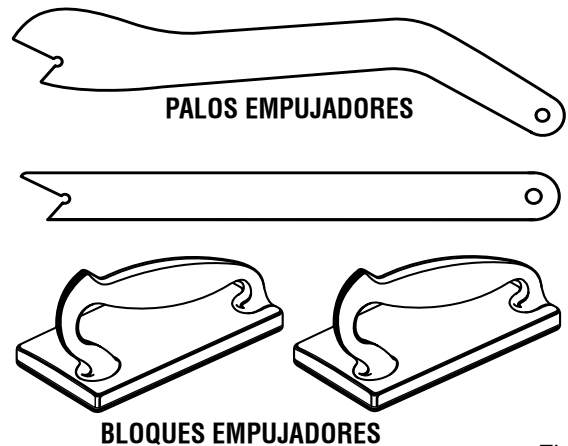


Fig. 16

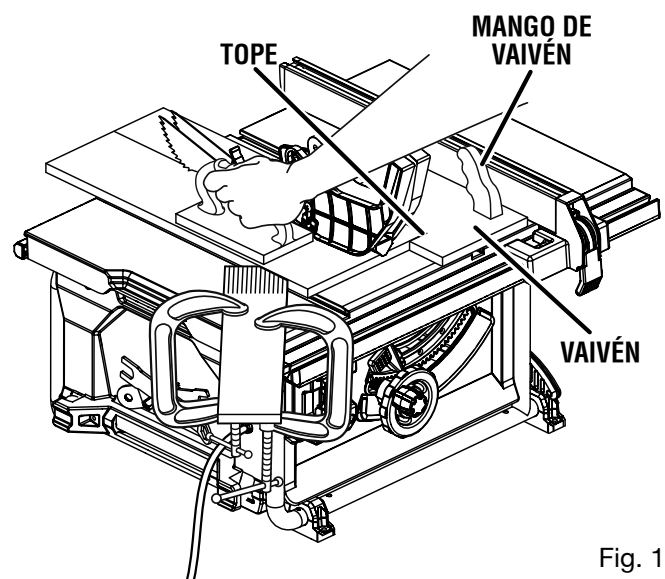


Fig. 17

CÓMO HACER UNA VAIVÉN (PARA EL CORTE AL HILO PIEZA DE TRABAJO)

Vea la figura 17.

Si longitudinal estreche acciones coloca las manos cierran también a la hoja, será necesario para hacer y utilizar una vaivén.

Para efectuara una vaivén:

- Conecte un mango a un pedazo largo y recto de madera y asegure de la cara inferior que utiliza tornillos empotrados.
- Corte una parada en forma de l en el lado de la vaivén.

Para utilizar vaivén:

- Posicione el pieza de trabajo plano sobre la mesa con el rubor de orilla contra la vaivén y contra la tope.
- Tener el mango de vaivén y utilizar un palos empujadora y/o bloque empujador , hacen el corte al hilo como descrito en en esta misma sección.

FUNCIONAMIENTO

PEINES DE SUJECIÓN

El peine de sujeción es un dispositivo que se utiliza para ayudar a controlar la pieza de trabajo sujetándola con seguridad contra la mesa o guía. Los peines de sujeción son especialmente útiles cuando se cortan al hilo piezas de trabajo pequeñas o para terminar cortes sin traspaso del espesor de la pieza de trabajo. El extremo es angulado con un cierto número de cortes cortos para aplicar fuerza de sujeción por fricción a la pieza de trabajo, y se asegura en su lugar sobre la mesa mediante una prensa de mano. Verifique que pueda resistir un contragolpe.

ADVERTENCIA:

Coloque el peine de sujeción contra la porción sin cortar de la pieza de trabajo, para evitar un contragolpe que podría causar lesiones corporales graves.

FORMA DE ELABORAR UN PEINE DE SUJECIÓN

Vea la figura 18.

El peine de sujeción es un proyecto excelente para utilizar la sierra. Seleccione una pieza de madera sólida de 19,1 mm (3/4 pulg.) de grueso, 92,1 mm (3-5/8 pulg.) de ancho y 45,7 mm (18 pulg.) de largo aproximadamente. Marque el centro del ancho en un extremo de la tabla. Corte a inglete de 30° una mitad del ancho y la otra mitad del mismo extremo a 45° (vea la página 31, donde encontrará información sobre los cortes a inglete). Marque la tabla desde la punta a 152,4; 203,2; 254; y 304,8 mm (6, 8, 10 y 12 pulg.). Taladre un agujero de 9,5 mm (3/8 pulg.) en las marcas de 203, 254 y 305 mm (8, 10 y 12 pulg.).

Prepare la sierra para cortar al hilo como se explicó en la página 28. Coloque la guía de corte al hilo para permitir cortar un "diente" de 6,4 mm (1/4 pulg.) en la tabla. Avance la tabla lentamente hasta la marca hecha previamente a 152,4 mm (6 pulg.). Apague la sierra y permita que la hoja deje de girar completamente antes de retirar la tabla. Reajuste la guía de corte al hilo y haga cortes espaciados en la pieza de trabajo para dejar dedos de 6,35 mm (1/4 pulg.) y 3,18 mm (1/8 pulg.) de espacio entre los dedos aproximadamente.

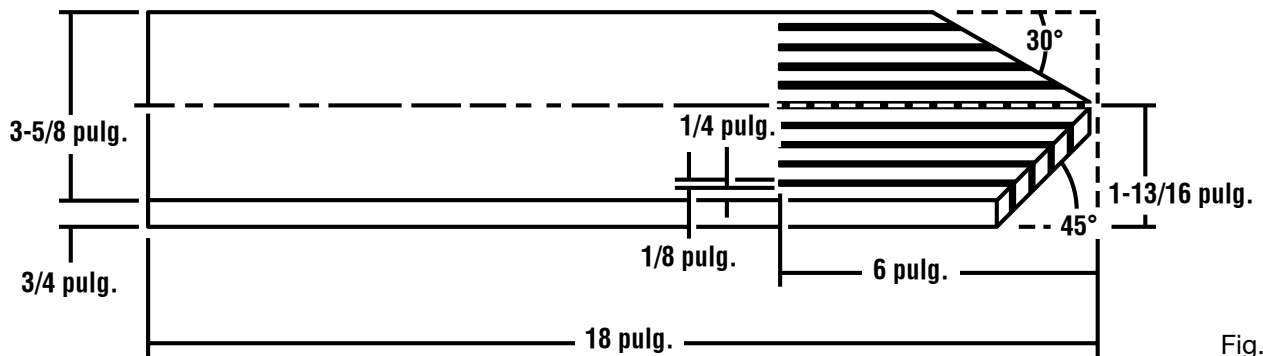


Fig. 18

FORMA DE MONTAR UN PEINE DE SUJECIÓN

Vea la figura 19.

Baje completamente la hoja de la sierra. Coloque la guía de corte al hilo a la distancia que requiera el corte deseado y asegúrela. Coloque la pieza de trabajo contra la guía, en el área de la hoja de corte. Ajuste el peine de sujeción para aplicar resistencia a la pieza de trabajo justo hacia adelante de la hoja. Coloque una prensa de mano para fijar los peines de sujeción al borde de la mesa de la sierra.

ADVERTENCIA:

El peine de sujeción debe ser instalado delante de la hoja. No coloque el peine de sujeción en la parte posterior de la hoja. Si se coloca inadecuadamente, puede producirse un contragolpe al apretar el peine de sujeción la pieza de trabajo y doblar la hoja en el corte efectuado por la sierra. La inobservancia de esta advertencia puede causar lesiones corporales serias.

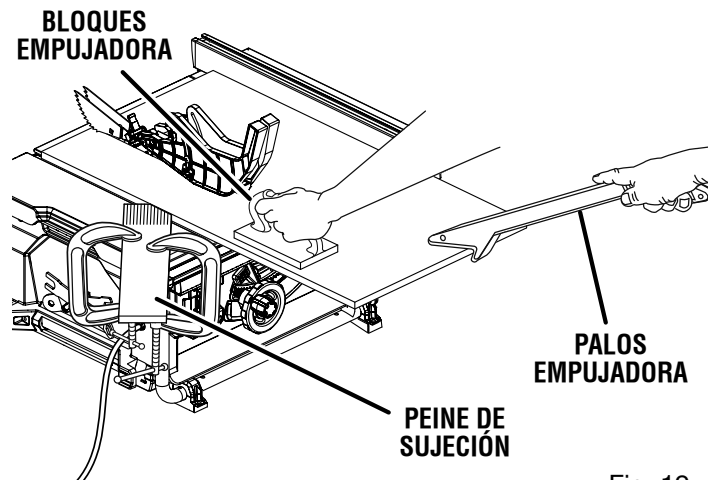


Fig. 19

FUNCIONAMIENTO

TIPOS DE CORTES

Vea la figura 20.

Hay seis cortes básicos: 1) el corte transversal, 2) el corte al hilo, 3) el corte a inglete, 4) el corte transversal en bisel, 5) el corte al hilo en bisel y 6) el corte a inglete combinado (en bisel). Todos los otros cortes son combinaciones de estos seis básicos. Los procedimientos de trabajo para hacer cada tipo de corte se dan más adelante en esta sección.

ADVERTENCIA:

Al efectuar estos cortes, siempre asegúrese de que la protección de la hoja y los trinquetes anticontragolpe estén en su lugar y de que funcionan adecuadamente, para evitar posibles lesiones.

Los cortes transversales son cortes rectos a 90° hechos transversalmente a la fibra de la pieza de trabajo. La madera se avanza al corte a un ángulo de 90° de la hoja, y ésta está vertical.

Los cortes al hilo se efectúan en dirección paralela a la fibra de la madera. Para evitar un contragolpe al efectuar un corte al hilo, asegúrese de que uno de los lados de la madera se desplace firmemente contra la guía de corte al hilo.

Los cortes a inglete se hacen con la madera a cualquier ángulo de la hoja diferente de 90°. La hoja está vertical. Los cortes a inglete tienden a “correrse” durante el corte. Esto se puede controlar sosteniendo firmemente la pieza de trabajo contra la guía de ingletes.

ADVERTENCIA:

Siempre utilice un palo empujador con piezas pequeñas de madera, y también para terminar un corte al hilo cuando se haga en una tabla larga y angosta, para prevenir que las manos se acerquen a la hoja.

Los cortes en bisel se hacen con la hoja en ángulo. Los cortes transversales en bisel son a través de la fibra de la madera, y los cortes al hilo en bisel son paralelos a la fibra. Para cortes al hilo en bisel, la guía de corte al hilo siempre debe estar al lado derecho de la hoja.

Los cortes a inglete combinados (con bisel) se hacen con la hoja en ángulo, en una tabla en ángulo con la hoja. Familiarícese totalmente con los cortes transversales, al hilo, en bisel y a inglete antes de intentar efectuar cortes a inglete combinados.

SUGERENCIAS PARA CORTAR

Los cortes de ranurado y rebajado son cortes sin traspaso del espesor de la tabla, y pueden ser cortes al hilo o transversales. Lea cuidadosamente y comprenda todas las secciones de este manual del operador antes de intentar cualquier operación.

ADVERTENCIA:

No utilice hojas con una velocidad nominal inferior a la de esta herramienta. La inobservancia de esta advertencia podría causar lesiones corporales.

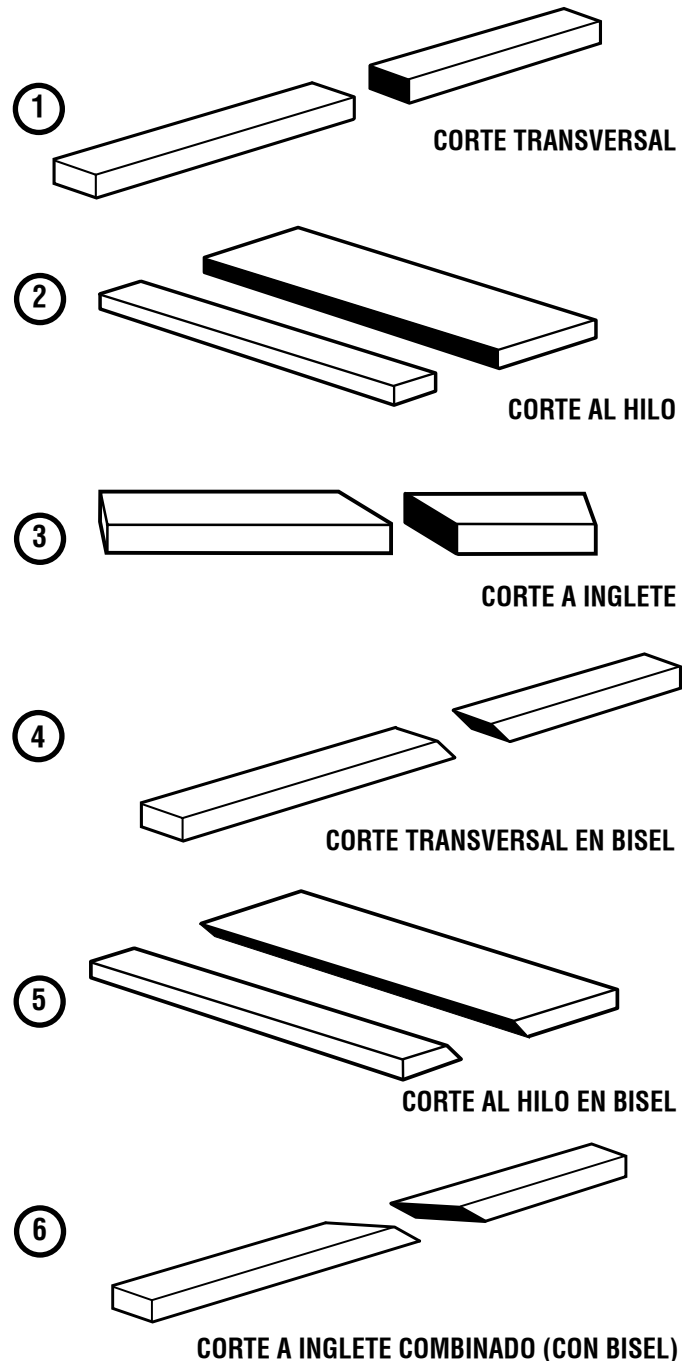


Fig. 20

- El corte hecho por la hoja en la madera es más ancho que la hoja para evitar que la hoja se sobrecaliente o se atore. Al medir la madera considere la parte eliminada por el corte.
- Asegúrese de que el corte se efectúe en el lado del desperdicio de la línea de medición.
- Corte la madera con el lado acabado hacia arriba.
- Desaloje todo nudo suelto con un martillo antes de efectuar el corte.
- Siempre proporcione soporte adecuado para la madera conforme sale de la sierra.

FUNCIONAMIENTO

PARA CAMBIAR LA PROFUNDIDAD DE LA HOJA

Vea la figura 21.

Se debe ajustar la profundidad de la hoja de la sierra de manera que las puntas exteriores de la hoja queden más elevadas que la pieza de trabajo de 3,18 a 6,35 mm (1/8 pulg. a 1/4 pulg.) aproximadamente, pero los puntos más bajos (las gargantas) queden bajo la superficie superior.

- La hoja de corte se sube girando a la izquierda el volante de ajuste de altura y bisel.
- Se baja girando éste a la derecha.

PARA CAMBIAR EL ÁNGULO DE LA HOJA (BISEL)

Vea la figura 22.

NOTA: Un corte a 90° tiene un bisel de 0°, y un corte de 45° tiene un bisel de 45°.

- Desconecte la sierra.
- Desbloquear la palanca de fijación de bisel para ello, empuje completamente a la derecha la palanca.
- Ajuste el ángulo de bisel; para ello, empuje el volante hacia la sierra y luego gírelo. Girando a la izquierda el volante se aumenta el ángulo de la hoja, acercándolo a los 45°. Girándolo a la derecha se disminuye el ángulo, y se acerca la hoja a los 90°.
- Asegurar la palanca de fijación de bisel para ello, empuje completamente a la izquierda la palanca.

PARA AJUSTAR EL INDICADOR DE BISEL

Vea la figura 23.

Si el indicador de bisel no está a cero cuando la hoja de la sierra está a 0°, ajuste el indicador; para ello, afloje el tornillo y póngalo a 0° en la escala de bisel. Vuelva a apretar el tornillo.

ADVERTENCIA:

Para reducir el riesgo de sufrir lesiones, siempre asegúrese de que la guía de corte al hilo esté paralela a la hoja, antes de iniciar cualquier operación.

PARA AJUSTAR A LA HOJA EL INDICADOR DE LA ESCALA DE LA GUÍA DE CORTE AL HILO

Vea la figura 24.

Use el indicador de la guía de corte al hilo para posicionar la guía sobre la escala en el riel delantero.

NOTA: Para poder efectuar este ajuste, debe retirarse los trinquetes anticontraGolpe y conjunto de protección. Una vez terminado el ajuste, vuelva a instalar el conjunto de protección de la hoja.

Comience con la hoja a un ángulo de cero grados (vertical).

- Desconecte la sierra.
- Afloje la guía de corte al hilo; para ello, levante la palanca de fijación.

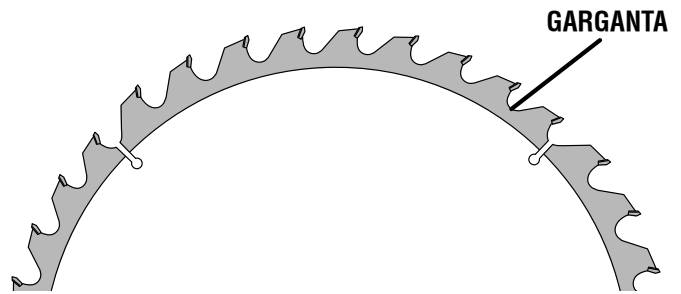


Fig. 21

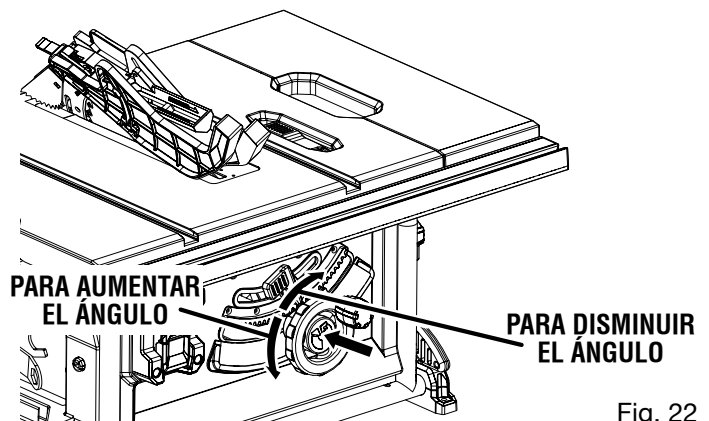
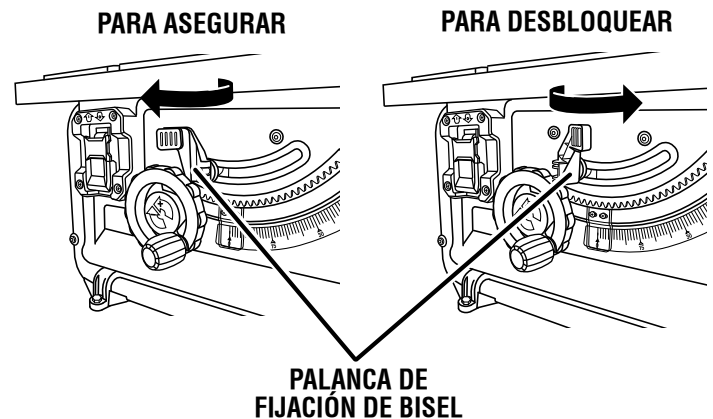


Fig. 22

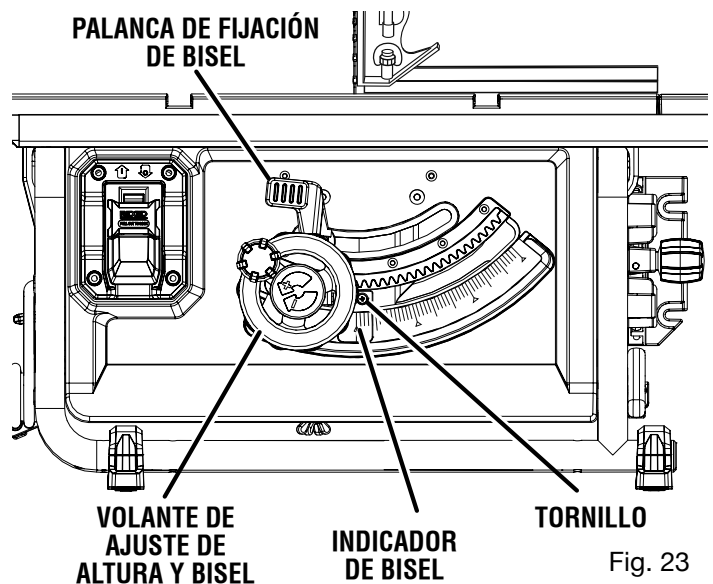


Fig. 23

FUNCIONAMIENTO

- Con una escuadra de carpintero fije la guía de corte al hilo a 50,8 mm (2 pulg.) del borde de la punta de la hoja, luego vuelva a colocar la palanca.
- Afloje el tornillo del indicador de escala y alinea con la 50,8 mm (2 pulg.) marca como mostrado.
- Apriete el tornillo y verifique la dimensión y la guía de corte al hilo.

PARA USAR LA GUÍA DE CORTE AL HILO

Vea la figura 25.

- Afloje la guía de corte al hilo; para ello, levante la palanca de fijación.
- Coloque el reborde trasero en la parte posterior de la mesa de la sierra y tire de aquélla un poco hacia la parte delantera de la unidad.
- Baje el extremo delantero de la guía de corte al hilo hasta las superficies guía de la parte superior del riel delantero.
- Verifique que haya un movimiento deslizante suave.
- Coloque la guía de corte al hilo a la distancia deseada de la hoja.
- Con la guía de corte al hilo plana en la mesa de sierra, empuje la guía hacia la riel delantero para alinear la guía a la ranura de la guía de ingletes.
- Empuje hacia abajo la palanca de fijación para alinear y fijar la guía. Cuando está bloqueada firmemente, la palanca de fijación debe apuntar hacia abajo.

Verifique que haya un movimiento deslizante suave. Si es necesario realizar ajustes, vea el apartado **Para verificar la alineación de la guía de corte al hilo con la hoja**, en la sección *Ajuste* de este manual.

PARA USAR EL GUÍA DE INGLETES

Vea la figura 26.

La guía de ingletes brinda una precisión en los cortes en ángulo. Para efectuar cortes con tolerancias muy estrechas se recomienda efectuar cortes de prueba.

Hay dos canales para el guía de ingletes, uno a cada lado de la hoja. Al efectuar cortes transversales a 90°, puede utilizarse cualquiera de los dos canales del guía de ingletes. Al realizar cortes transversales a bisel (con la hoja inclinada en relación con la mesa), la guía de ingletes debe estar en la ranura de la derecha, de manera que la hoja se incline en dirección opuesta a donde está el guía de ingletes y las manos del operador.

El guía de ingletes puede girarse 60° a la derecha o izquierda.

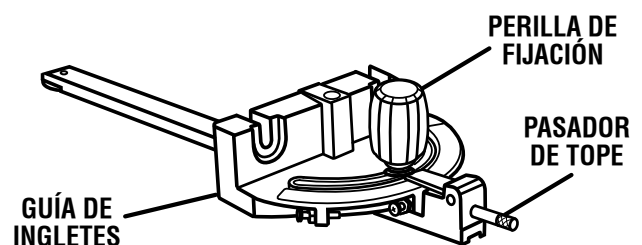
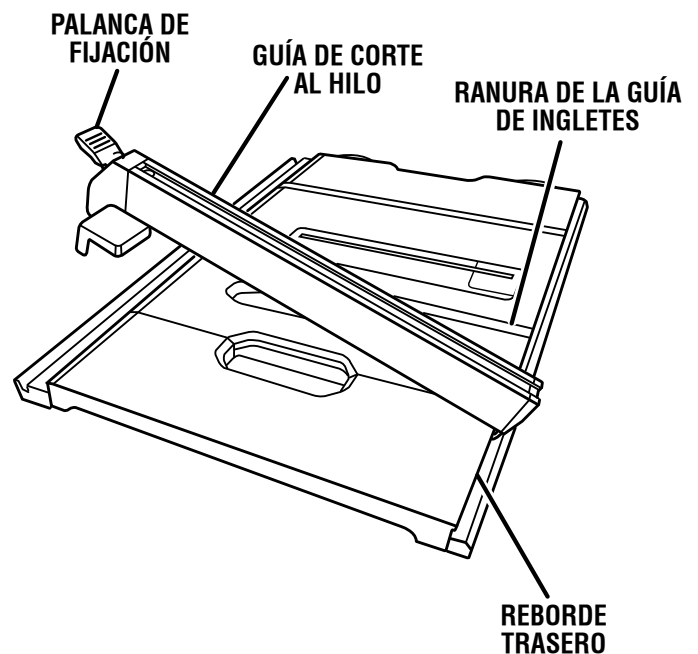
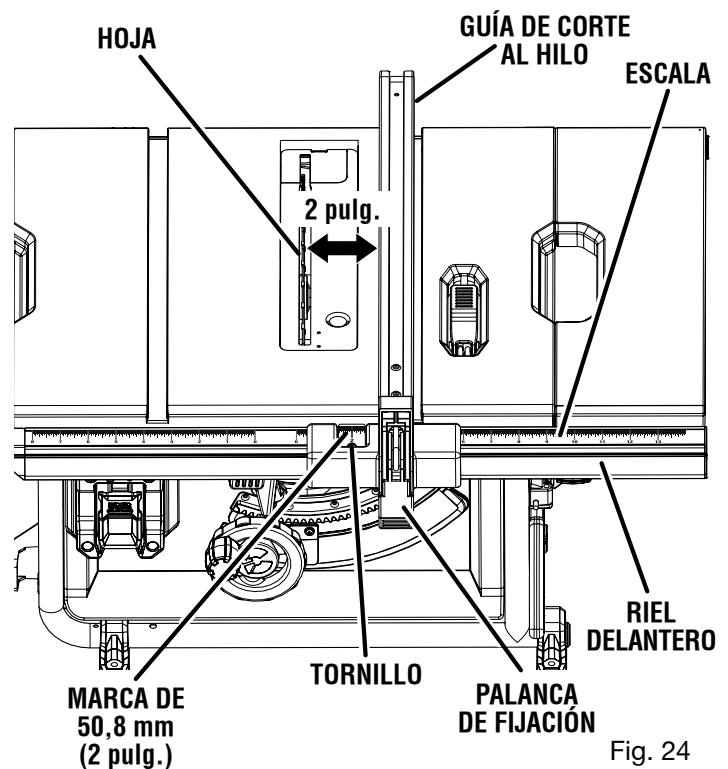
- Deslice la guía de ingletes puesta en la ranura correspondiente.
- Afloje la perilla de bloqueo girándola hacia la izquierda.
- Extraiga el pasador de tope y gire la guía hasta alcanzar el ángulo deseado en la escala.
- Vuelva a apretar la perilla de bloqueo girándola hacia la derecha.

PARA USAR LA EXTENSIÓN DESLIZABLE DE LA MESA

Vea la figura 27

Aumente la longitud de la mesa de la sierra usando la extensión de la mesa.

- Bloquee la guía de corte sobre la extensión de la mesa deslizable de 330,20 mm (13 pulg.).



FUNCIONAMIENTO

⚠ ADVERTENCIA:

La guía de corte debe bloquearse en la posición de 330,20 mm (13 pulg.) para garantizar la precisión de la medición de la escala secundaria y proporcionar un soporte adecuado para la pieza de trabajo al usar la mesa en posición extendida. Si no se coloca correctamente la guía de corte, se producirán mediciones imprecisas de la pieza de trabajo y podría dar lugar a lesiones personales graves.

- Desasegure la extensión de la mesa deslizable subiendo la palanca de fijación de la extensión de la mesa.
- Ponga la extensión de la mesa al ancho deseado.
NOTA: Utilice la escala del riel delantero cuando se requiera un ancho específico.
- Una vez fijadas la extensión de la mesa al ancho deseado, vuelva a asegurar ambas palanca de fijación, la izquierda y la derecha; para ello, empuje de nuevo cada palanca hacia la base de la sierra.

AJUSTE DE LA HOJA PARALELA A LA RANURA DEL CALIBRE DE INGLETE (REMOCIÓN DEL TALÓN)

Vea las figuras 28 a 30.

⚠ ADVERTENCIA:

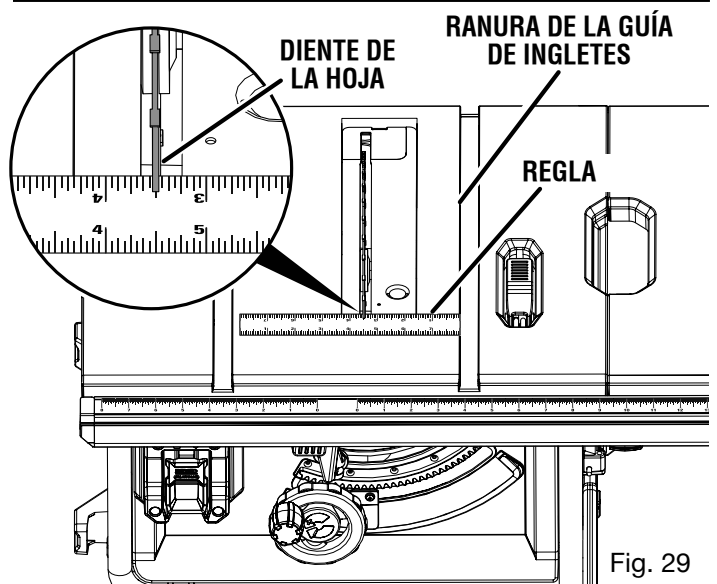
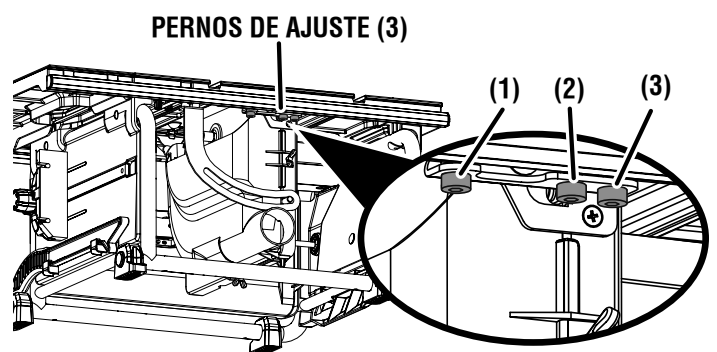
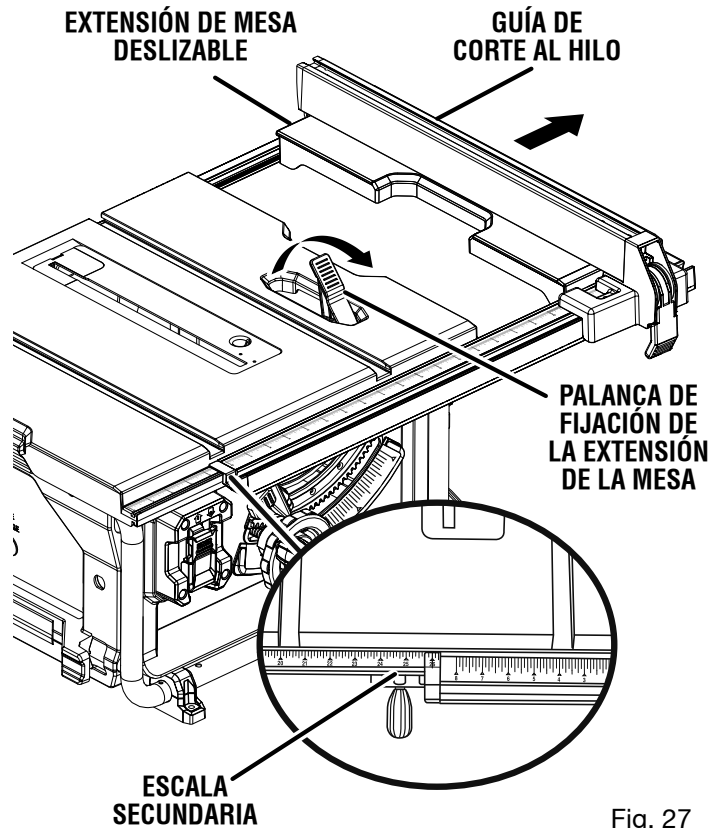
La hoja debe estar paralela a la ranura del calibre de inglete para que la madera no se atasque, lo que generaría un rebote. La inobservancia de esta advertencia puede causar lesiones serias.

No afloje ningún perno para este ajuste hasta que haya revisado con una escuadra y haya efectuado cortes de prueba para asegurarse de que son necesarios los ajustes. Una vez aflojados los tornillos, deben reajustarse estos elementos.

- Desconecte la sierra.
- Retirar la protección de la hoja, el cuchilla separadora y trinquetes anticontraGolpe. Eleve lo más posible la hoja con un giro de la volante de ajuste de altura de bisel.
- Marque un lado de uno de los dientes de la parte frontal de la hoja. Con una regla, mida la distancia desde la cara interna del diente de la hoja al borde izquierdo de la ranura derecha del calibre de inglete.
- **NOTA:** Para una mayor precisión, coloque el diente marcado de la hoja sobre la regla.
- Gire la hoja de manera que el diente marcado quede atrás.
- Mueva la regla a la parte posterior y mida nuevamente la distancia desde la cara interna del diente de la hoja al borde izquierdo de la ranura derecha del calibre de inglete. Si ambas distancias son iguales, significa que la hoja y la ranura de la guía de ingletes están paralelas.
- Vuelva a colocar el protección de la hoja, el cuchilla separadora y trinquetes anticontraGolpe.

Si ambas distancias medidas son diferentes:

- Retirar la protección de la hoja, el cuchilla separadora y trinquetes anticontraGolpe. Eleve lo más posible la hoja con un giro de la volante de ajuste de altura de bisel.



FUNCIONAMIENTO

- Afloje los pernos de ajuste (1) y (3).
NOTA: Los pernos de ajuste están situados bajo la mesa de la sierra, en la parte trasero de la sierra.
- Gire los pernos de ajuste (2) izquierdo o derecho que la hoja están paralela a la ranura de la guía de ingletes.
- Vuelva a apretar los pernos de ajuste (1) y (3).
- Revise distancias y seguir ajustando efectúe los ajustes necesarios.
- Vuelva a colocar el protección de la hoja, el cuchilla separadora y trinquetes anticontragolpe.

⚠ ADVERTENCIA:

Para reducir el riesgo de lesiones por un contragolpe, alinee la guía de corte al hilo con la hoja en seguida de los ajustes de ésta. Siempre asegúrese de que la guía de corte al hilo esté paralela a la hoja antes de iniciar cualquier operación.

FORMA DE EFECTUAR CORTES

Su sierra de mesa puede realizar una variedad de cortes que no es mencionado todo en este manual. NO procure hacer ningún corte no cubrió aquí a menos que usted esté completamente familiarizado con los procedimientos apropiados y accesorios necesarios. Su biblioteca local tiene muchos libros en la mesa vieron uso y procedimientos especializados de carpintería para su referencia.

La hoja suministrada con la sierra es una hoja combinada de alta calidad adecuada para operaciones de corte al hilo y transversal. Verifique cuidadosamente todos los ajustes y gire la hoja una vuelta completa para asegurarse de que haya espacio libre adecuado antes de conectar la sierra al suministro de corriente. Párese una trayectoria de la hoja para reducir la posibilidad de lesiones si ocurre un contragolpe.

⚠ ADVERTENCIA:

No utilice hojas con una velocidad nominal inferior a la de esta herramienta. La inobservancia de esta advertencia podría causar lesiones corporales.

Utilice la guía de ingletes cuando efectúe cortes trans-versales, a inglete, en bisel y a inglete combinados. Para fijar el ángulo, deje bloqueada la guía de ingletes en su lugar girando la perilla de bloqueo hacia la derecha. Siempre apriete firmemente en su lugar la perilla de bloqueo antes de utilizar la unidad.

NOTA: Se recomienda colocar la pieza que se va a conservar en el lado izquierdo de la hoja y efectuar primero un corte de prueba en madera de desecho.

PARA EFECTUAR CORTES TRANSVERSALES

Vea las figuras 31 y 32.

⚠ ADVERTENCIA:

Asegúrese de que esté instalado y funcione adecuadamente el conjunto de protección de la hoja, para evitar posibles lesiones graves.

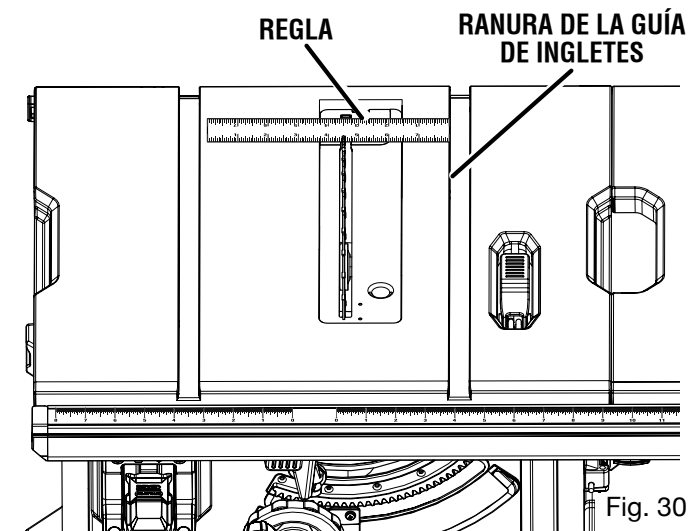


Fig. 30

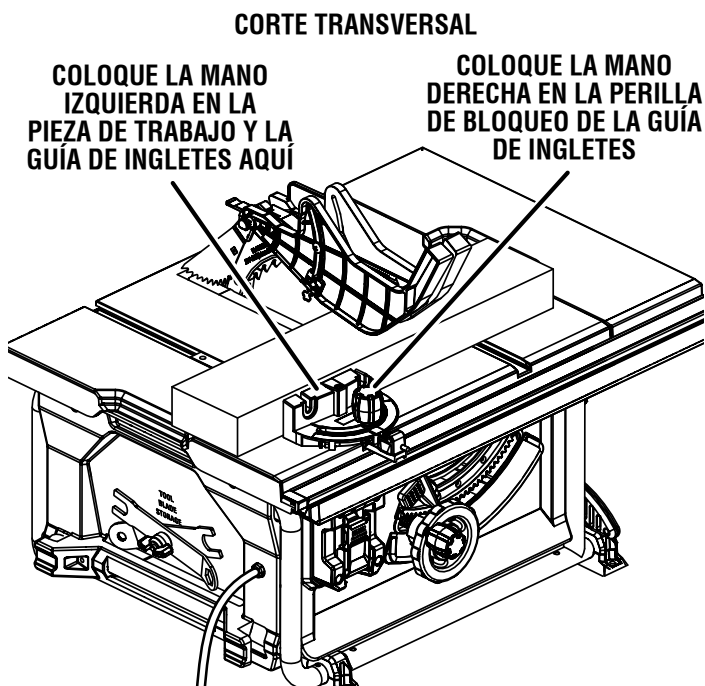


Fig. 31

⚠ ADVERTENCIA:

El uso de la guía de corte al hilo como guía tope al efectuar cortes transversales produce un contragolpe que puede causar lesiones corporales graves.

- Desmonte la guía de corte al hilo.
- Ajuste la hoja a la profundidad correcta para la pieza de trabajo.
- Fije la guía de ingletes a 0° y apriete la perilla de fijación.
- Asegúrese de que la madera está lejos de la hoja antes de encender la sierra.
- Para encender sierra, levante el botón del interruptor.
- Para apagar la sierra, oprima hacia abajo el botón del interruptor.

FUNCIONAMIENTO

NOTA: Para evitar el uso no autorizado, retire la llave del interruptor, como se muestra en la figura 32.

- Permita que la hoja alcance la velocidad plena antes de mover la pieza de trabajo hacia la hoja.
- Sostenga firmemente la pieza de trabajo con ambas manos en la guía de ingletes y alimente la pieza a la hoja de corte.

NOTA: La mano más cercana a la hoja debe colocarse en la perilla de bloqueo de la guía de ingletes y la mano más alejada debe colocarse en la pieza de trabajo.

- Cuando termine el corte, apague la sierra. Espere a que la hoja se detenga por completo antes de retirar la pieza de trabajo.

CÓMO EFECTUAR CORTES AL HILO

Vea la figura 33.

ADVERTENCIA:

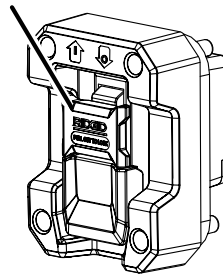
Asegúrese de que esté instalado y funcione adecuadamente el conjunto de protección de la hoja para evitar posibles lesiones graves.

ADVERTENCIA:

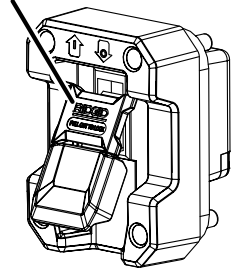
Los cortes de cónico sólo deben ser hechos con una vaivén especial, que está disponible comercialmente. No procure corte de cónico de a pulso en este sierra. La inobservancia las instrucciones abajo puede causar lesiones corporales graves.

- Ajuste la hoja a la profundidad correcta para la pieza de trabajo.
- Coloque la guía de corte al hilo a la distancia deseada de la hoja para el corte y asegure firmemente la manija.
- Al corte longitudinal un pieza de trabajo largo, coloque un soporte de la misma altura que la superficie de la mesa atrás de la sierra para recibir la pieza de trabajo cortada.
- Instalar de peine de sujeción en la posición adecuada para el corte que se hizo.
- Asegúrese de que la madera está lejos de la hoja antes de encender la sierra.
- Coloque el interruptor de corriente en la posición de encendido.
- Coloque la pieza de trabajo plana sobre la mesa con la orilla pegada contra la guía de corte al hilo. Permita que la hoja alcance la velocidad plena antes de avanzar la pieza de trabajo hacia la hoja.
- Con una estaca empujadora y/o planchas empujadoras avance lentamente la pieza de trabajo hacia la hoja. Párese a un lado de la madera conforme toca la hoja para reducir la posibilidad de lesiones si ocurre un contragolpe.

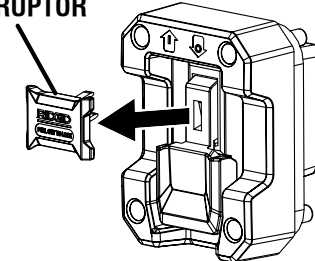
INTERRUPTOR
EN POSICIÓN
DE APAGADO



INTERRUPTOR
EN POSICIÓN
DE ENCENDIDO



LLAVE DEL
INTERRUPTOR



INTERRUPTOR EN POSICIÓN ASEGURADA

Fig. 32

CORTE AL HILO

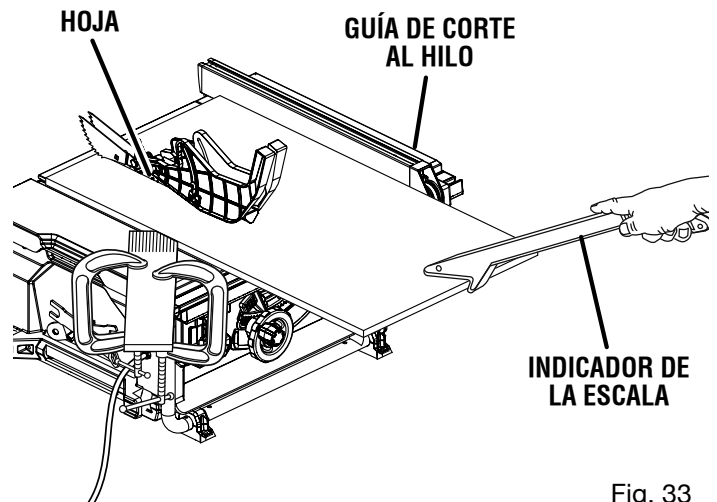


Fig. 33

- Una vez que la hoja toque la pieza de trabajo, utilice la mano más cercana a la guía de corte al hilo para guiarla. Asegúrese de que la orilla de la pieza de trabajo permanezca en contacto sólido tanto con la guía de corte al hilo como con la superficie de la mesa. Si corta al hilo una pieza angosta, utilice una estaca empujadora para mover la pieza durante el corte a través de la hoja.
- Cuando termine el corte, apague la sierra. Espere a que la hoja se detenga por completo antes de retirar la pieza de trabajo.

FUNCIONAMIENTO

CÓMO EFECTUAR CORTES A INGLETE

Vea la figura 34.

ADVERTENCIA:

Asegúrese de que esté instalado y funcione adecuadamente el conjunto de protección de la hoja para evitar posibles lesiones graves.

- Ajuste la hoja a la profundidad correcta para la pieza de trabajo.
- Desmonte la guía de corte al hilo.
- Coloque la guía de ingletes al ángulo deseado y apriete la perilla de fijación.
- Asegúrese de que la madera está lejos de la hoja antes de encender la sierra.
- Coloque el interruptor de corriente en la posición de encendido.
- Permita que la hoja alcance la velocidad plena antes de mover la pieza de trabajo hacia la hoja.
- Sostenga firmemente la pieza de trabajo con ambas manos en la guía de ingletes y alimente la pieza a la hoja de corte.

NOTA: La mano más cercana a la hoja debe colocarse en la perilla de bloqueo de la guía de ingletes y la mano más alejada debe colocarse en la pieza de trabajo.

- Cuando termine el corte, apague la sierra. Espere a que la hoja se detenga por completo antes de retirar la pieza de trabajo.

CÓMO EFECTUAR CORTES TRANSVERSALES EN BISEL

Vea las figuras 35 y 36.

ADVERTENCIA:

Asegúrese de que esté instalado y funcione adecuadamente el conjunto de protección de la hoja para evitar posibles lesiones graves.

ADVERTENCIA:

La guía de ingletes debe estar del lado derecho de la hoja para evitar atrapar la madera y causar un contragolpe. La colocación de la guía de ingletes a la izquierda de la hoja produciría un contragolpe y el consiguiente riesgo de lesiones corporales graves.

- Desmonte la guía de corte al hilo.
- Afloje la palanca de fijación de bisel.
- Ajuste el ángulo de bisel según desee.
- Enganche la palanca de fijación de bisel.
- Ajuste la hoja a la profundidad correcta para la pieza de trabajo.

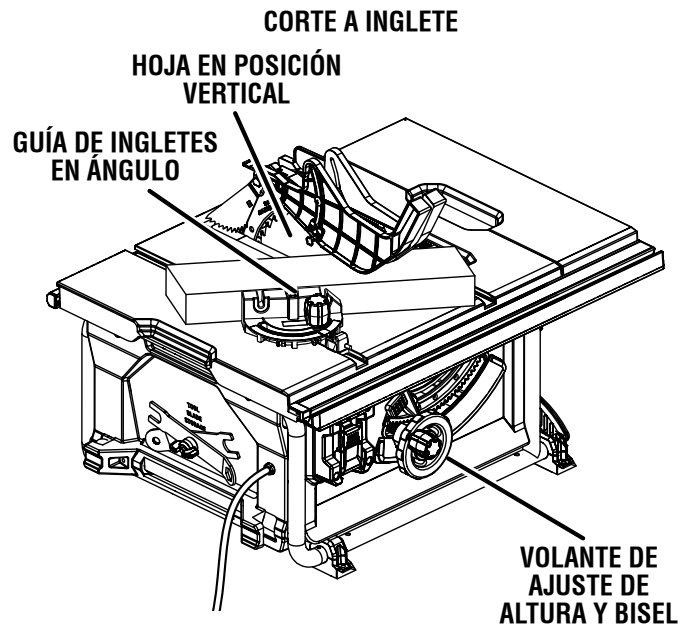


Fig. 34

VISTA DESDE EL FRENTE, DEBAJO DE LA SIERRA DE MESA

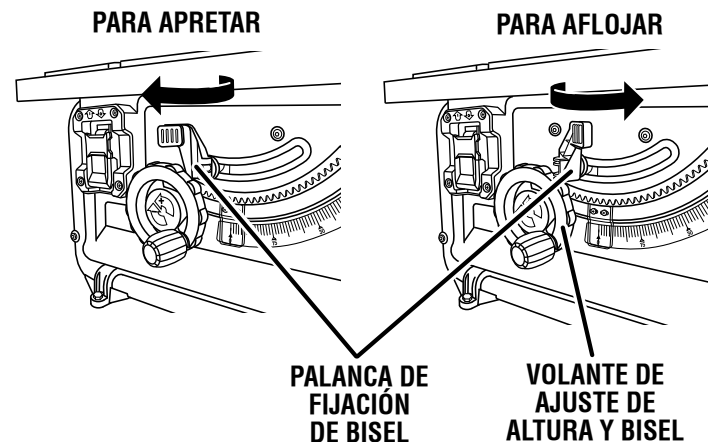


Fig. 35

- Fije la guía de ingletes a 0° y apriete la perilla de fijación.
 - Asegúrese de que la madera está lejos de la hoja antes de encender la sierra.
 - Coloque el interruptor de corriente en la posición de encendido.
 - Permita que la hoja alcance la velocidad plena antes de mover la pieza de trabajo hacia la hoja.
 - Sostenga firmemente la pieza de trabajo con ambas manos en la guía de ingletes y alimente la pieza a la hoja de corte.
- NOTA:** La mano más cercana a la hoja debe colocarse en la perilla de bloqueo de la guía de ingletes y la mano más alejada debe colocarse en la pieza de trabajo.
- Cuando termine el corte, apague la sierra. Espere a que la hoja se detenga por completo antes de retirar la pieza de trabajo.

FUNCIONAMIENTO

CÓMO EFECTUAR CORTES AL HILO EN BISEL

Vea la figura 37.

ADVERTENCIA:

Asegúrese de que esté instalado y funcione adecuadamente el conjunto de protección de la hoja para evitar lesiones graves.

ADVERTENCIA:

La guía de corte al hilo debe estar del lado derecho de la hoja para evitar atrapar la madera y causar un contragolpe. La colocación de la guía de corte al hilo a la izquierda de la hoja produciría un contragolpe y el consiguiente riesgo de lesiones corporales graves.

- Retire la guía de ingletes.
- Instale el peine de sujeción en la posición adecuada para el corte que se hizo.
- Afloje la palanca de fijación de bisel.
- Ajuste el ángulo de bisel según desee.
- Enganche la palanca de fijación de bisel.
- Ajuste la hoja a la profundidad correcta para la pieza de trabajo.
- Coloque la guía de corte al hilo a la distancia deseada de la hoja para el corte y asegure firmemente la manija.
- Al corte longitudinal un pieza de trabajo largo, coloque un soporte de la misma altura que la superficie de la mesa atrás de la sierra para recibir la pieza de trabajo cortada.
- Coloque el interruptor de corriente en la posición de encendido.
- Coloque la pieza de trabajo plana sobre la mesa con la orilla pegada contra la guía de corte al hilo. Permita que la hoja alcance la velocidad plena antes de avanzar la pieza de trabajo hacia la hoja.
- Con un palo empujador y/o bloques empujadores avance lentamente la pieza de trabajo hacia la hoja. Párese a un lado de la madera conforme toque la hoja para reducir la posibilidad de lesiones si ocurre un contragolpe.
- Una vez que la hoja toque la pieza de trabajo, utilice la mano más cercana a la guía de corte al hilo para guiarla. Asegúrese de que la orilla de la pieza de trabajo permanezca en contacto sólido tanto con la guía de

CORTE TRANSVERSAL EN BISEL

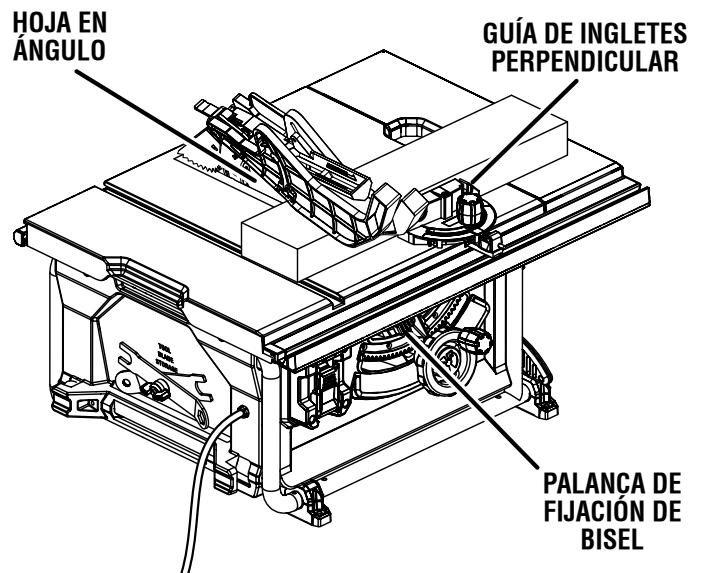


Fig. 36

CORTE AL HILO EN BISEL

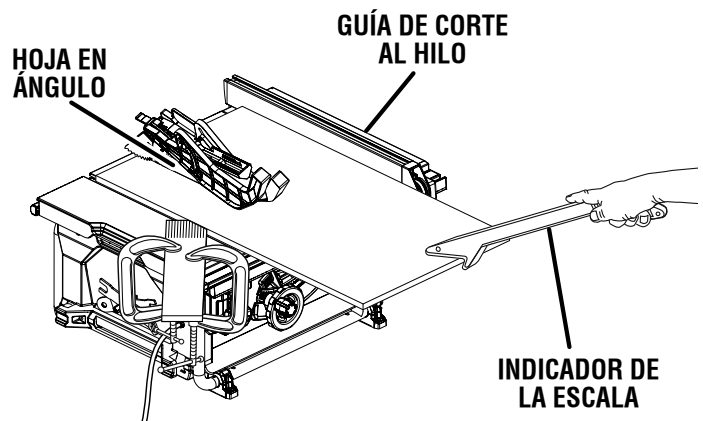


Fig. 37

corte al hilo como con la superficie de la mesa. Si corta al hilo una pieza angosta, utilice una estaca empujadora y/o bloques empujadores para mover la pieza durante el corte a través de la hoja.

- Cuando termine el corte, apague la sierra. Espere a que la hoja se detenga por completo antes de retirar la pieza de trabajo.

FUNCIONAMIENTO

CÓMO EFECTUAR CORTES A INGLETE COMBINADOS (EN BISEL)

Vea la figura 38.

ADVERTENCIA:

Asegúrese de que esté instalado y funcione adecuadamente el conjunto de protección de la hoja para evitar posibles lesiones graves.

ADVERTENCIA:

La guía de ingletes debe estar del lado derecho de la hoja para evitar atrapar la madera y causar un contragolpe. La colocación de la guía de ingletes a la izquierda de la hoja produciría un contragolpe y el consiguiente riesgo de lesiones corporales graves.

- Desmonte la guía de corte al hilo.
 - Afloje la palanca de fijación de bisel.
 - Ajuste el ángulo de bisel según desee.
 - Enganche la palanca de fijación de bisel.
 - Ajuste la hoja a la profundidad correcta para la pieza de trabajo.
 - Afloje la perilla de fijación de la guía de ingletes, fije ésta al ángulo deseado y apriete la perilla de fijación.
 - Asegúrese de que la madera está lejos de la hoja antes de encender la sierra.
 - Coloque el interruptor de corriente en la posición de encendido.
 - Permita que la hoja alcance la velocidad plena antes de mover la pieza de trabajo hacia la hoja.
 - Sostenga firmemente la pieza de trabajo con ambas manos en la guía de ingletes y alimente la pieza a la hoja de corte.
- NOTA:** La mano más cercana a la hoja debe colocarse en la perilla de bloqueo de la guía de ingletes y la mano más alejada debe colocarse en la pieza de trabajo.
- Cuando termine el corte, apague la sierra. Espere a que la hoja se detenga por completo antes de retirar la pieza de trabajo.

CÓMO CORTAR UN PANEL GRANDE

Vea la figura 39.

Asegúrese de que la sierra esté debidamente asegurada a una superficie de trabajo para evitar cualquier volcamiento producido por un panel grande.

ADVERTENCIA:

Asegúrese de que esté instalado y funcione adecuadamente el conjunto de protección de la hoja para evitar posibles lesiones graves.

CORTE A INGLETE COMBINADO (EN BISEL)

COLOQUE LA MANO IZQUIERDA
LA GUÍA DE INGLETES AQUÍ

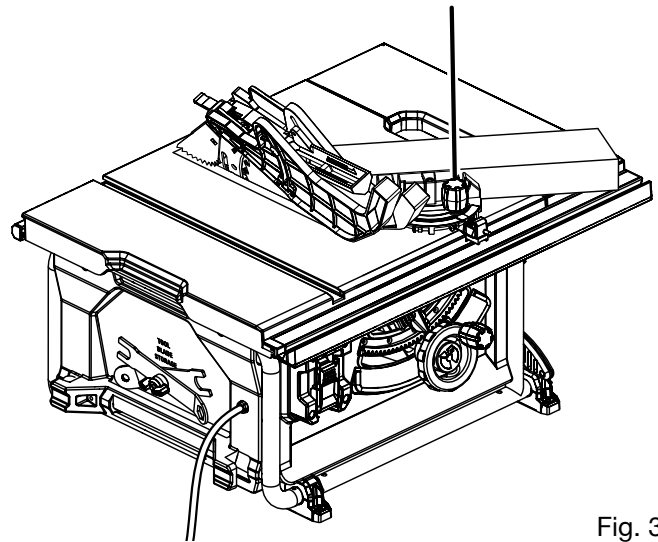


Fig. 38

CORTE DE PANEL GRANDE

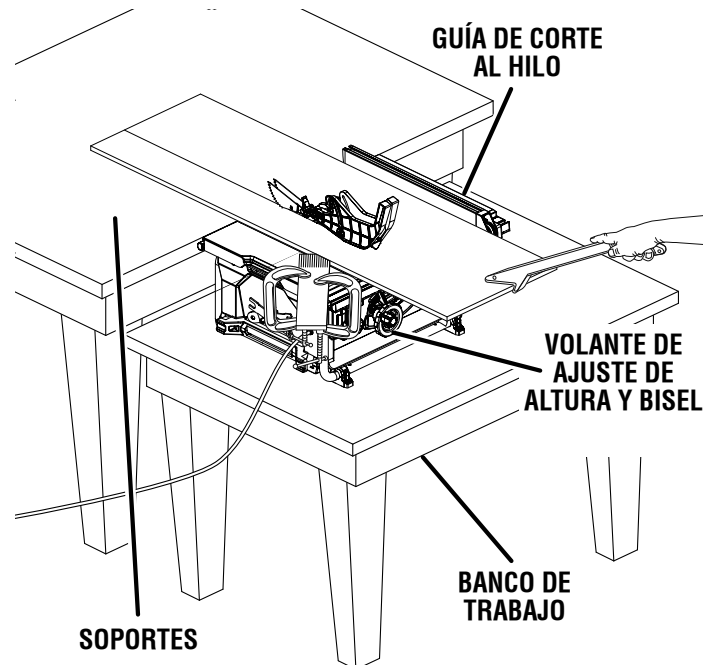


Fig. 39

ADVERTENCIA:

Nunca efectúe cortes a pulso (cortes sin ninguna de las guías), lo cual puede producir lesiones graves.

- Instalar de peine de sujeción en la posición adecuada para el corte que se hizo.

FUNCIONAMIENTO

- Coloque un soporte de la misma altura que la mesa de la sierra atrás de la sierra para recibir la pieza de trabajo cortada. Coloque soportes a los lados según sea necesario.

⚠ ADVERTENCIA:

El soporte inadecuado de la pieza de trabajo en el lateral o el lado de salida de la sierra podría ocasionar el movimiento inesperado de la pieza o la sierra, lo que podría, a su vez, resultar en lesiones personales graves.

- Según sea la forma del panel, utilice la guía de corte al hilo o la guía de ingletes. Si el panel es demasiado grande para usar ya sea la guía de corte al hilo o la guía de ingletes, es demasiado grande para esta sierra.
- Asegúrese de que la madera no toque la hoja antes de encender la sierra.
- Coloque el interruptor de corriente en la posición de encendido.
- Coloque la pieza de trabajo plana sobre la mesa con la orilla pegada contra la guía de corte al hilo. Permita que la hoja alcance la velocidad plena antes de avanzar la pieza de trabajo hacia la hoja.
- Utilice una estaca empujadora para mover la pieza durante el corte a través de la hoja.
- Cuando termine el corte, apague la sierra. Espere a que la hoja se detenga por completo antes de retirar la pieza de trabajo.

CÓMO EFECTUAR UN CORTE SIN TRASPASO

Vea la figura 40.

Pueden efectuarse cortes sin traspaso (hizo con un estándar 10 pulg. hoja) del espesor de la pieza de trabajo paralelos a la fibra de la madera (corte al hilo) o transversales a la fibra (corte transversal). El corte sin traspaso del espesor de la pieza de trabajo es esencial para cortar ranuras, rebajos y mortajas. Este es el único tipo de corte que se efectúa sin el conjunto de protección de la hoja instalado. Asegúrese de reinstalar el conjunto de protección de la hoja al terminar este tipo de corte. Lea la sección correspondiente donde se describe el tipo de corte en cuestión, además de esta sección sobre cortes sin traspaso del espesor de la pieza de trabajo, o de ranuras. Por ejemplo, si corte sin traspaso de la pieza de trabajo es un corte transversal recto, antes de proseguir lea y comprenda la sección sobre cortes transversales rectos.

⚠ ADVERTENCIA:

Cuando se hace un corte sin traspaso del espesor de la pieza de trabajo, la hoja queda cubierta con la pieza de trabajo durante la mayor parte del corte. Para evitar el riesgo de lesiones, esté alerta de la hoja expuesta al principio y final de cada corte.

CORTE NO PASANTE

SIN LA PROTECCIÓN DE LA HOJA

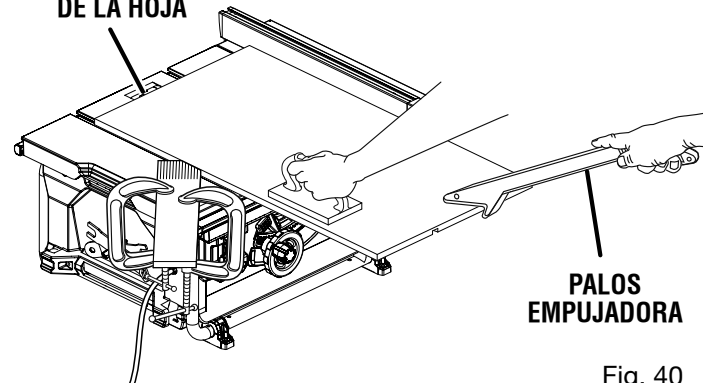


Fig. 40

CORTE DE RANURA

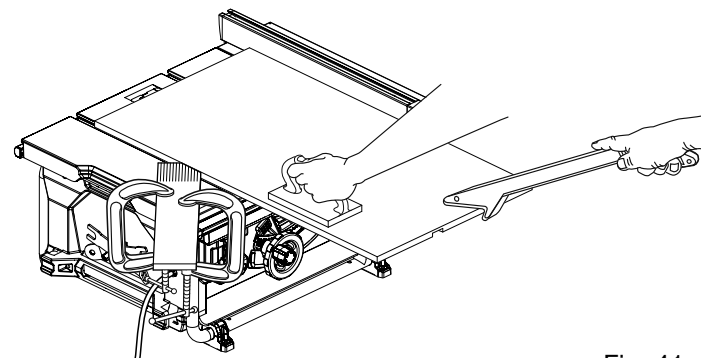


Fig. 41

⚠ ADVERTENCIA:

Cuando haga cualquier corte sin traspaso del espesor de la pieza de trabajo, como rebajos y ranuras, nunca avance la madera con las manos. Para evitar lesiones, siempre utilice planchas y estacas empujadoras, así como peines de sujeción.

- Desconecte la sierra.
- Retirar el conjunto de protección de la hoja y trinquetes anticongolpe.
- Coloque cuchilla separadora “abajo” en la posición.
- Afloje la palanca de fijación de bisel.
- Ajuste el ángulo de bisel según desee.
- Enganche la palanca de fijación de bisel.
- Ajuste la hoja a la altura correcta para la pieza de trabajo.
- Según sea la forma y el tamaño de la madera, utilice la guía de corte al hilo o la guía de ingletes.
- Conecte la sierra en el suministro de corriente y gire la sierra.
- Permita que la hoja alcance la velocidad plena antes de mover la pieza de trabajo hacia la hoja.

FUNCIONAMIENTO

- Cuando haga cortes sin traspaso del espesor de la pieza de trabajo, siempre utilice bloques y/o palos empujadores y peines de sujeción apropiadamente para reducir el riesgo de lesiones graves.
- Cuando termine el corte, apague la sierra; para ello, ponga el botón en la posición apagado. Espere a que la hoja se detenga por completo antes de retirar la pieza de trabajo.

Una vez terminados todos los cortes no pasante:

- Desconecte la sierra.
- Baje cuchilla separadora en la posición “arriba” entonces instalar el protección de la hoja y trinquetes anticontraGolpe.

CÓMO EFECTUAR CORTES DE MORTAJAS

Vea la figura 41.

Para este procedimiento se requiere una placa de la garganta para corte de ranuras optativa (vea la sección *Accesorios* de este manual y consulte al personal de la tienda de menudeo de su preferencia). Todos las hojas y juegos de hojas de ranurado debe tener una velocidad nominal inferior a la de esta herramienta. Esta sierra está diseñada para usarse con un conjunto de hojas de ranurar de 152,4 mm (6 pulg.) (de un espesor de 19,1 mm [3/4 pulg.]). No utilice hojas de ranurar ajustables con esta sierra.

ADVERTENCIA:

Cuando se hace un corte sin traspaso del espesor de la pieza de trabajo, la hoja queda cubierta con la pieza de trabajo durante la mayor parte del corte. Para evitar el riesgo de lesiones, esté alerta de la hoja expuesta al principio y final de cada corte.

ADVERTENCIA:

Siempre coloque todos los arandelas de la hoja, los separadores y los tuercas en la posición adecuada cuando vuelva a cambiar la configuración para usar la hoja de la sierra. La inobservancia de esta advertencia puede causar lesiones corporales y daños a la herramienta.

ADVERTENCIA:

Cuando haga cortes de ranuras, siempre utilice bloques o palos empujadoras, y/o peines de sujeción, para evitar el riesgo de lesiones graves.

- Desconecte la sierra.
- Retirar el conjunto protector de la hoja de corte, trinquetes anticontraGolpe, la placa de la garganta, y el cuchilla separadora.

- Quite tuerca de la hoja, arandela exterior de la hoja, hoja de la sierra, arandela interior de la hoja, y separador (vea la figura 43).

NOTA: Siempre almacene la arandela de la hoja y placa de la garanta en una ubicación segura.

- Vuelva a instalar las arandelas interior de la hoja.
- Montar la hoja de ranurar, según instrucciones de fabricante, utilizando la hoja y cinceles giratorios adecuados para el ancho de corte deseado.
- Vuelva a instalar la tuerca de la hoja.

NOTA: La arandela de la hoja puede utilizarse siempre y cuando el árbol sobrepase ligeramente la tuerca del mismo.

- Asegúrese de que la tuerca de la hoja esté totalmente enroscada y de que el árbol sobresalga después de apretar firmemente la tuerca de la hoja.
- Colocar la palanca de afloje del cuchilla separadora en la posición asegurada.
- Instale la placa de la garganta para cortes de ranuras y gire la hoja de sierra con la mano para asegurarse de que gire libremente y luego baje la hoja.
- Según sea la forma y el tamaño de la madera, utilice la guía de corte al hilo o la guía de ingletes.
- Si efectuar cortes al hilo, instale de peine de sujeción en la posición adecuada para el corte que se hizo.
- Coloque el interruptor de corriente en la posición de encendido.

NOTA: Asegúrese de que la madera no toque la hoja antes de encender la sierra. Permita que la hoja alcance la velocidad plena antes de avanzar la pieza de trabajo hacia la hoja.

- Coloque la pieza de trabajo plana sobre la mesa con la orilla pegada contra la guía de corte al hilo o la guía de ingletes.
- Utilice una plancha o estaca empujadora para mover la madera durante el corte a través de la hoja. Nunca empuje una pieza pequeña de madera hacia la hoja con la mano. Siempre utilice una estaca empujadora. El uso de planchas empujadoras, estacas empujadoras y peines de sujeción es necesario al efectuar cortes sin traspaso del espesor de la pieza de trabajo.
- Cuando termine el corte, apague la sierra; para ello, ponga el botón en la posición apagado. Espere a que la hoja se detenga por completo antes de retirar la pieza de trabajo.

Una vez terminados todos los cortes de ranura:

- Desconecte la sierra.
- Quite la hoja de ranurar y vuelva a instalar la hoja de corte estándar.
- Baje cuchilla separadora en la posición “arriba” entonces instalar el protección de la hoja y trinquetes anticontraGolpe.

AJUSTES

ADVERTENCIA:

Antes de efectuar cualquier ajuste, asegúrese de que la herramienta esté desconectada de la fuente de alimentación y que el interruptor esté en la posición apagado (**O**). El incumplimiento de esta advertencia puede causar una lesión personal grave.

Para evitar configuraciones y ajustes innecesarios, una buena práctica es verificar cada configuración cuidadosamente con una escuadra de entramar, y efectuar cortes en madera de desecho antes de efectuar cortes finales en piezas de trabajo buenas. No inicie ningún ajuste sin haber revisado con una escuadra y haber efectuado cortes de prueba para asegurarse de que son necesarios los ajustes.

PREEMPLAZO DE LA HOJA

Veá las figuras 42 a 44.

La anchura del corte debe estar dentro de los límites estampados en el cuchilla separadora.

- Desconecte la sierra.
- Baje la hoja de la sierra y quite la placa de la garganta.
- Suba la hoja a su máxima altura; luego, retire la protección de la hoja y los trinquetes anticontragolpes.
- Asegúrese de que la palanca de fijación de bisel esté fijamente a la izquierda.
- Utilizar una llave de hoja pequeña, inserte el abra abierto en las caras planas de polea del árbol.
- Coloque el extremo cerrado de la llave de la hoja en la tuerca hexagonal. Teniendo ambas llaves firmemente, tiran la llave de hoja grande (lado de derecho) delantero al empujar el llave de hoja pequeña (lado de izquierdo) a la trasero de la sierra.
- Verrouillage le levier de dégagement y retirar la hoja.

NOTA: El árbol tiene mano de enhebra derechos.

Para sustituir la hoja estándar por una de accesorio, siga las instrucciones suministradas con éste.

Para instalar la hoja estándar:

NOTA: Asegúrese de que el separador y la arandela interior de la hoja estén en su lugar en el eje antes de instalar la nueva hoja.

- Coloque la nueva hoja sobre el vástago del polea del (para funcionar correctamente, los dientes deben apuntar hacia abajo en dirección al frente de la sierra).
- Coloque la arandela de la hoja y la tuerca de la hoja sobre el vástago de la hoja. Verifique que el lado plano de la arandela de la hoja esté cara afuera con respecto a la hoja, y que todos los componentes estén bien colocados contra el alojamiento del árbol. Asegúrese de que la tuerca hexagonal esté firmemente apretada. No apriete excesivamente.
- Asegurar la palanca de afloje.
- Baje la hoja y haga girar la hoja con la mano para comprobar.
- Baje la hoja de la sierra y instalar la placa de garganta.

Cuando termine, verifique la existencia de los espacios necesarios para permitir el giro libre de la hoja. Consulte el apartado **Para ajustar a la hoja el indicador de la escala de la guía de corte al hilo** en la sección *Funcionamiento* anterior

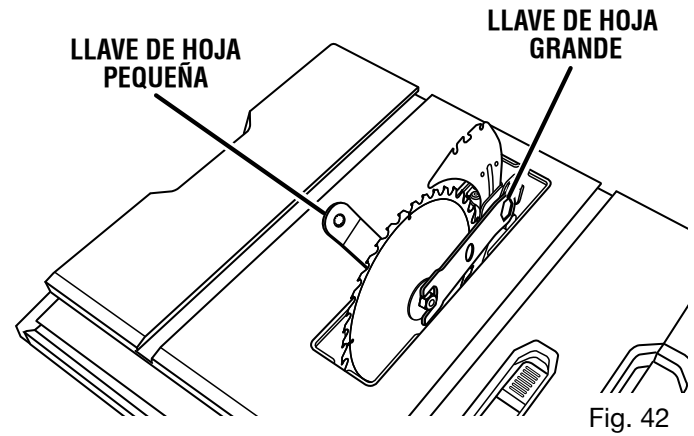


Fig. 42

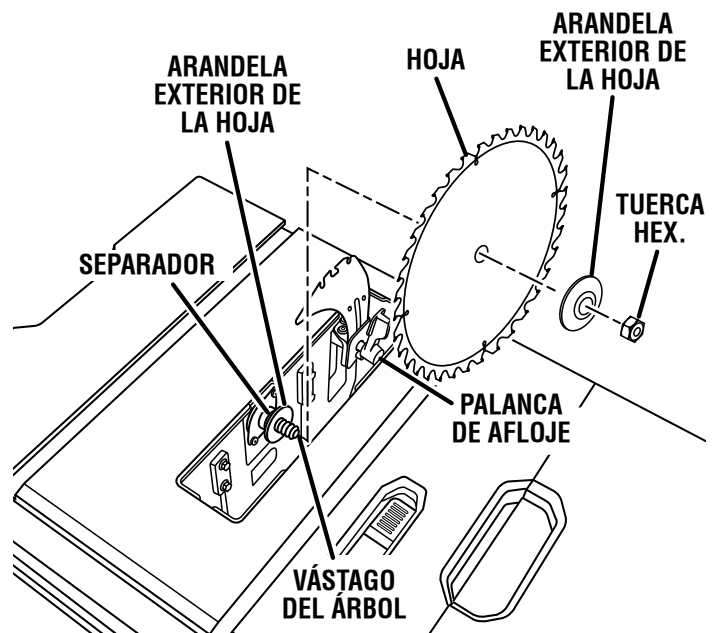


Fig. 43

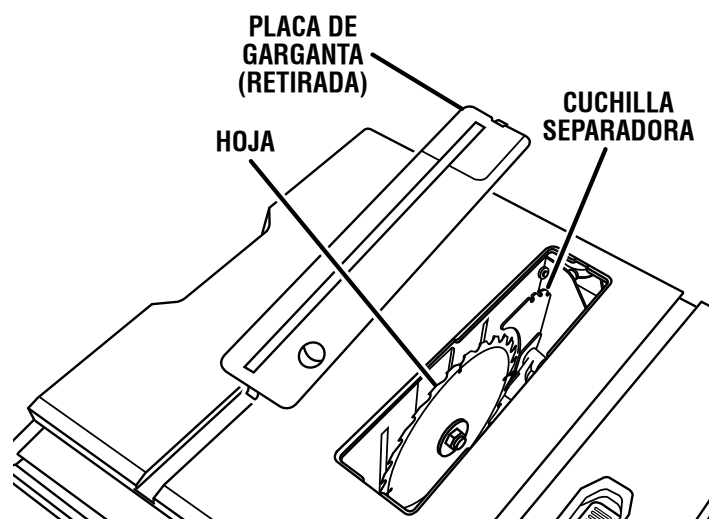


Fig. 44

AJUSTES

de este manual. En las operaciones de corte la escala se ajusta con respecto al lado de la hoja donde se medirá y efectuará el corte.

PARA AJUSTAR LA HOJA DE CORTE A 0° O 45°

Vea las figuras 45 y 46.

Los ajustes de ángulo de su sierra se hicieron en la fábrica y, a menos que se hayan dañado durante el transporte, no necesitan ajuste durante el armado. Después de un uso intenso, es posible que se necesite revisar.

- Desconecte la sierra.
- Levante la protección de la hoja y retire la guarda de lame.

Determine si la hoja de corte está perfectamente vertical (0°):

- Coloque una escuadra de carpintero junto a la hoja por hacia derecho. El borde de la escuadra y la hoja de la sierra deben estar paralelas.

NOTA: Asegúrese de que la escuadra toque la parte plana de la hoja de la sierra, no los dientes.

- Si la hoja de corte no está perfectamente vertical (0°):
 - Afloje la palanca de fijación de bisel.
 - Gire el tornillo de ajuste de 0° según sea necesario.
 - Enganche la palanca de fijación de bisel.
- Revise de nuevo para ver si está a escuadra y seguir ajustando efectúe los ajustes necesarios.

Determine si la hoja de corte está exactamente a 45°:

- Coloque una escuadra de carpintero junto a la hoja por hacia derecho. El borde de la escuadra y la hoja de la sierra deben estar paralelas.

NOTA: Asegúrese de que la escuadra toque la parte plana de la hoja de la sierra, no los dientes.

- Si la hoja de corte no está exactamente a 45°:
 - Afloje la palanca de fijación de bisel.
 - Gire el tornillo de ajuste de 45° según sea necesario.
 - Enganche la palanca de fijación de bisel.
- Revise de nuevo para ver si está a escuadra y seguir ajustando efectúe los ajustes necesarios.
- Ajuste el indicador a 45°.
- Realice un corte de prueba.

AJUSTE DEL GUÍA DE INGLETE

Vea la figura 47.

Puede fijar el guía de inglete a 0° y a más o menos 45° con la clavija de parada del guía de inglete y los tornillos de parada ajustable.

NOTA: El guía de inglete provee una buena precisión en los cortes en ángulo. Si las tolerancias son muy pequeñas, se recomienda hacer cortes de prueba.

- Afloje la perilla y tire hacia afuera de la clavija de parada para hacer girar la base del guía de inglete hasta pasar los tornillos de parada.

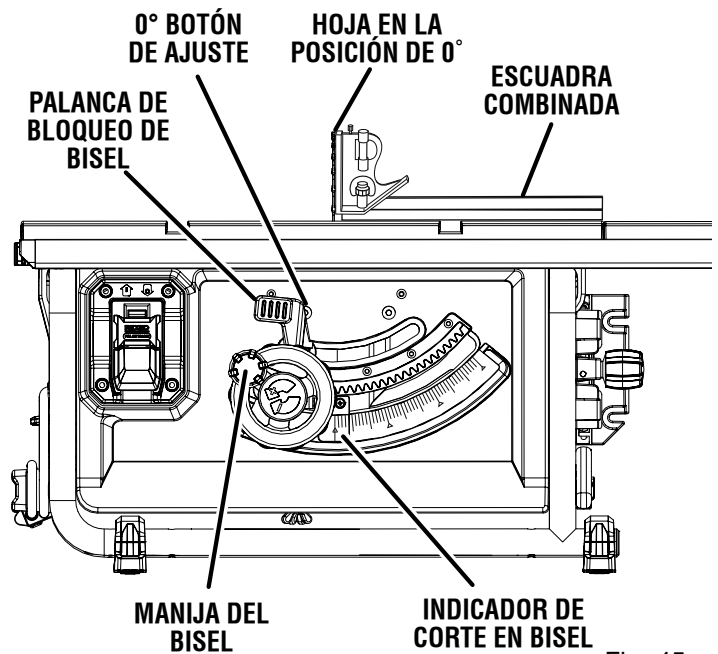


Fig. 45

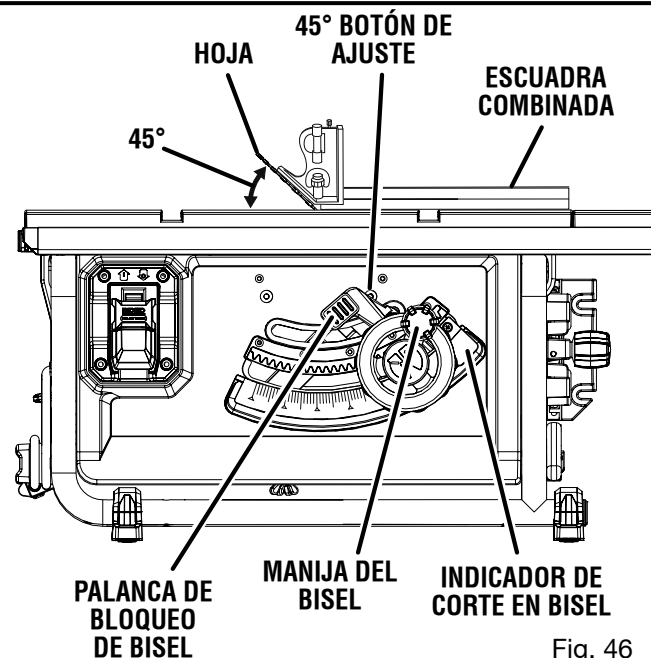


Fig. 46

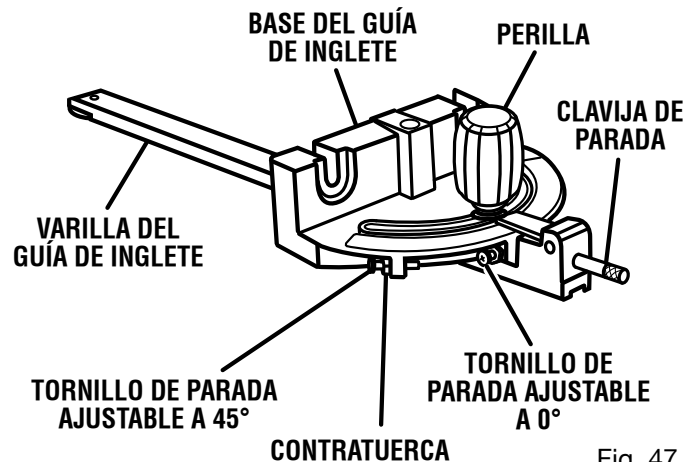


Fig. 47

AJUSTES

- Afloje la contratuerca del tornillo de parada a 0° en la clavija de parada con una llave de 8 mm.
- Coloque una escuadra de combinación contra la varilla del guía de inglete y la base del calibrador de inglete.
- Si la varilla no está a escuadra, afloje la perilla, ajuste la varilla, y apriete la perilla.
- Ajuste el tornillo de parada a 0° hasta que descansa contra la clavija de parada.
- Ajuste los tornillos de parada a más y menos 45° utilizando un triángulo de 45° y los pasos anteriores.

VERIFICACION DEL ALINEAMIENTO DE LA GUÍA DE CORTE AL HILO EN RELACION A LA HOJA

Vea la figura 48.

La guía de corte al hilo debe estar paralela a la hoja de la sierra y a las ranuras de la guía de ingletes.

ADVERTENCIA:

Cualquier desalineación de la guía de corte al hilo puede causar contragolpes y atoramientos. Para disminuir el riesgo de lesiones, siempre mantenga bien alineada la guía de corte al hilo.

- Desconecte la sierra.
- Retirar la protección de la hoja, el cuchilla separadora y trinquetes anticongolpe. Eleve lo más posible la hoja con un giro de la volante de ajuste de altura de bisel.
- Verifique que la hoja esté paralela a la ranura del calibre de inglete, tal como se describe en la sección **Ajuste de la hoja paralela a la ranura del calibre de inglete (remoción del talón)** en *Operaciones*.
- Mueva la guía de corte cerca de la hoja de la sierra (unos 76,20 mm [3 pulgadas] de distancia) y fíjela con la palanca de bloqueo.
- Marque un lado de uno de los dientes de la parte frontal de la hoja. Con una regla, mida la distancia desde la cara interna del diente de la hoja a la cara interna de la guía de corte.

NOTA: Para una mayor precisión, coloque el diente marcado de la hoja sobre la regla.

- Gire la hoja de manera que el diente marcado quede atrás.
- Mueva la regla a la parte posterior y mida nuevamente la distancia desde la cara interna del diente de la hoja a la cara interna de la guía de corte. Si las distancias son iguales, la hoja y la guía de corte están paralelas.

Si ambas distancias medidas son diferentes:

- Afloje los dos tornillos ubicados en la parte superior de la guía de corte al hilo.
- Ajuste la guía de corte.
- Apriete de forma alternada los tornillos. Vuelva a revisar la alineación.
- Repita los pasos necesarios hasta que quede correctamente alineada la guía de corte al hilo.
- Vuelva a colocar el protección de la hoja, el cuchilla separadora y trinquetes anticongolpe.

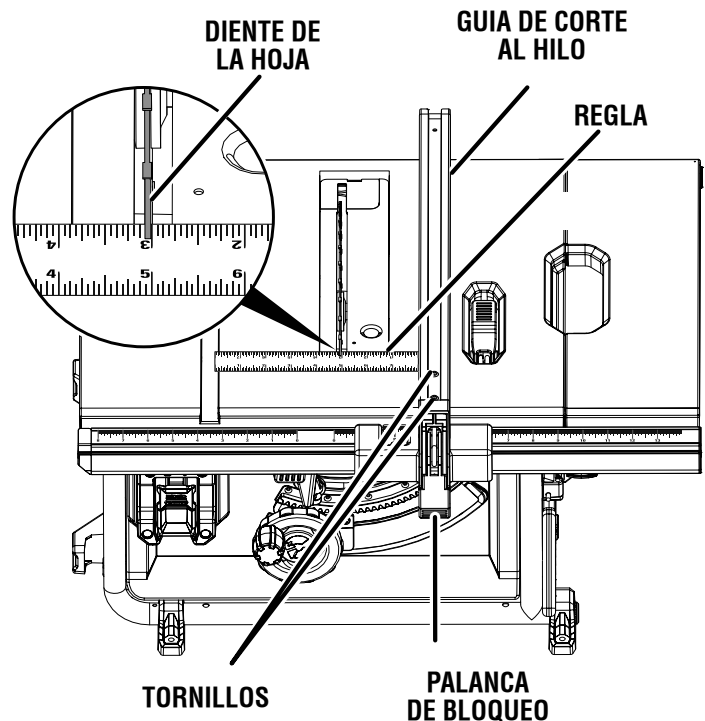


Fig. 48

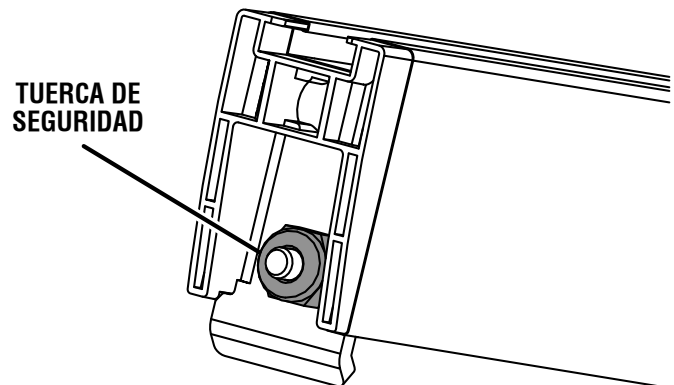


Fig. 49

VERIFICACION LA TIRANTEZ DEL PALANCA DE BLOQUEO DE LA GUÍA DE CORTE AL HILO

Vea las figuras 48 y 49.

La palanca de bloqueo de la guía de corte al hilo debe fijar firmemente ésta contra los rieles delantero y trasero. La palanca no debe presentar ninguna dificultad para bajarse y fijarse. Para asegurar un adecuado ajuste de la palanca de bloqueo de la guía:

- Asegurar la guía de corte al hilo seguro el lugar.
- Intente de mover la guía de corte al hilo del lado a lado. Si la guía mueve, apriete la tuerca de seguridad 1/4 vuelta.
- Teniendo la guía de corte al hilo bloqueada con la palanca, vuelva a revisar para ver si dicha guía está paralela a la ranura de la guía de ingletes y efectúe los ajustes necesarios.

MANTENIMIENTO

⚠️ ADVERTENCIA:

Al dar servicio a la unidad, sólo utilice piezas de repuesto idénticas. El empleo de piezas diferentes puede presentar un peligro o causar daños al producto.

⚠️ ADVERTENCIA:

Siempre póngase protección ocular con la marca de cumplimiento de la norma ANSI Z87.1. Si la operación genera mucho polvo, también póngase una mascarilla contra el polvo.

⚠️ ADVERTENCIA:

Antes de efectuar cualquier mantenimiento, asegúrese de que la herramienta esté desconectada de la fuente de alimentación y que el interruptor esté en la posición de apagado (O). El incumplimiento de esta advertencia puede causar una lesión personal grave.

MANTENIMIENTO GENERAL

Evite el empleo de solventes al limpiar piezas de plástico. La mayoría de los plásticos son susceptibles a diferentes tipos de solventes comerciales y pueden resultar dañados. Utilice paños limpios para eliminar la suciedad, el polvo, el aceite, la grasa, etc.

⚠️ ADVERTENCIA:

No permita en ningún momento que fluidos para frenos, gasolina, productos a base de petróleo, aceites penetrantes, etc., lleguen a tocar las piezas de plástico. Las sustancias químicas pueden dañar, debilitar o destruir el plástico, lo cual a su vez puede producir lesiones corporales serias.

- Revise periódicamente todas las grampas, tuercas, pernos y tornillos para verificar si están bien apretadas y en buen estado. Asegúrese de que la placa de garganta esté en buen estado y en su lugar.
- Verifique el conjunto de la protección de la hoja para determinar si la instalación y los espacios son adecuados, además de que haya movimiento libre. Algunos tipos de madera pueden causar la acumulación de polvo, alquitrán o resina en los componentes, así que recomendamos el

ACCESORIOS

Busque estos accesorios donde adquirió este producto o llame al 1-866-539-1710:

- Placa de ranurar para la garganta..... 089037006914
- Montaje del soporte 089240020707

⚠️ ADVERTENCIA:

Arriba se señalan los aditamentos y accesorios disponibles para usarse con esta herramienta. No utilice ningún aditamento o accesorio no recomendado por el fabricante de esta herramienta. El empleo de aditamentos o accesorios no recomendados puede causar lesiones serias.

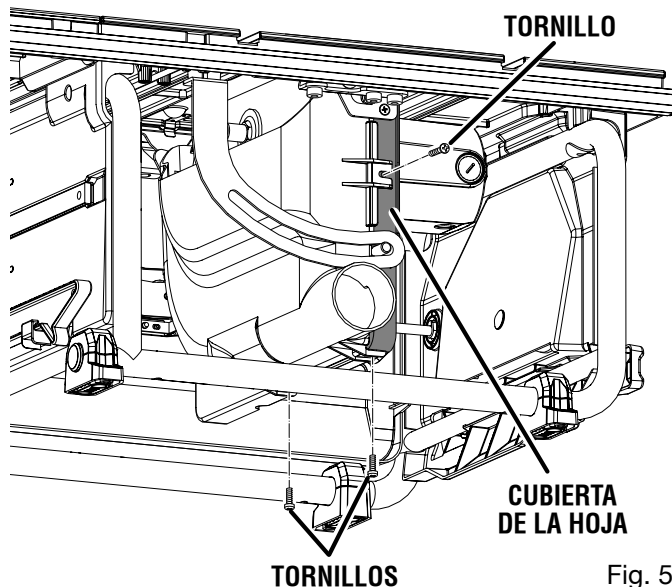


Fig. 50

mantenimiento regular. El limpiador que utilice debe ser apropiado para usar en partes plásticas.

- Retire los tornillos y abra la hoja del motor. Limpie con pastillas de polvo y madera de la hoja del motor. Cierre y asegure. (Vea la figura 50.)
- Limpie las piezas plásticas solamente con un paño húmedo suave. No use solventes de petróleo o en aerosol.
- Proteja la hoja limpiando el aserrín que cae bajo la mesa y entre los dientes. Limpie los dientes de la sierra con un solvente recomendado para eliminar goma y resina.
- Para mantener las superficies de las mesas, de las guías y de los rieles en buen estado, aplique cera y luego lustrelos para que funcionen con suavidad, encérelos periódicamente. No encere la superficie de trabajo de la guía de inglete, para evitar que el trabajo se deslice cuando está siendo cortado.

LUBRICACION

Los cojinetes del motor de esta sierra han sido empaquetados en la fábrica con la debida lubricación.

- Limpie las roscas de los tornillos y tuercas con un solvente recomendado para eliminar goma y resina.
- Lubrique las roscas de tornillos y tuercas, así como los puntos de desgaste (incluyendo los del conjunto de la protección de la hoja y la guía de ingletes).

CORRECCIÓN DE PROBLEMAS

Problema	Causa	Solución
Vibración excesiva.	Está desequilibrada la hoja.	Reemplace la hoja.
	Está dañada la hoja.	Reemplace la hoja.
	No está montada firmemente la hoja.	Apriete todas las piezas.
	Está desigual la superficie de trabajo.	Coloque la pieza de trabajo sobre una superficie plana.
	Está combada la hoja.	Reemplace la hoja.
No se desplaza con suavidad la guía de corte al hilo.	No está montada correctamente la guía de corte al hilo.	Vuelva a montar la guía de corte al hilo.
	Están sucios o pegajosos los rieles.	Limpie y encere los rieles.
	Tornillo de la mordaza desajustado.	Ajuste tornillo de la mordaza.
No queda bien asegurada en la parte posterior la guía de corte al hilo.	Tornillo de la mordaza desajustado.	Ajuste tornillo de la mordaza.
La pieza de trabajo se quema o atora durante el corte.	Está desafilada la hoja de corte.	Reemplace o afile la hoja.
	La hoja está taloneando.	Vea el apartado Ajuste de la hoja paralela a la ranura del calibre de inglete (remoción del talón) , en la sección <i>Functionamiento</i> .
	Está empujándose demasiado rápido la pieza de trabajo.	Disminuya la velocidad de avance.
	Está desalineada la guía de corte al hilo.	Alinee la guía de corte al hilo.
	Está desalineado el cuchilla separadora.	Vea el apartado Para revisar y alinear cuchilla separadora y la hoja , en la sección <i>Armado</i> .
	Está combada la pieza de trabajo.	Reacomode la pieza de trabajo. Siempre corte con el lado convexo hacia la superficie de la mesa.
La madera se separa de la guía de corte al hilo al efectuarse este tipo de corte.	Está desalineada la guía de corte al hilo.	Revise y ajuste la guía de corte al hilo.

CORRECCIÓN DE PROBLEMAS

Problema	Causa	Solución
La sierra no hace cortes precisos de 90 o 45 grados.	Los topes positivos dentro de la caja de la sierra necesitan ajuste. (Cortes en Bisel)	Ajuste los topes positivos.
	La guía de inglete está desalineada. (Cortes en Inglete)	Ajuste la guía de inglete.
Es difícil girar la volante de ajuste de altura/bisel.	Los engranajes o el poste del tornillo dentro de la caja de la sierra están obstruidos con aserrín.	Limpie los engranajes o el poste del tornillo.
La sierra no se pone en marcha.	El cordón del motor o el cordón mural no está enchufado.	Enchufe el cordón del motor o el cordón mural.
	Reemplace el fusible del circuito.	El fusible del circuito está quemado.
	El disyuntor está disparado.	Resposicione el disyuntor.
	El cordón o el interruptor está dañado.	Reemplace el cordón o el interruptor en un centro de servicio calificado.
La hoja hace cortes deficientes.	La hoja hace cortes deficientes.	Limpie, afile o reemplace la hoja.
	La hoja es del tipo incorrecto para el corte que se está efectuando.	Reemplace con el tipo correcto.
	La hoja está instalada al revés.	Vuelva a instalar la hoja.
La hoja no desciende cuando se gira la volante de ajuste de altura/bisel.	Cubierta de la hoja está sucia.	Vea limpiando instrucciones en la sección de <i>Mantenimiento</i> .
El motor trabaja mucho en los cortes al hilo.	La hoja no es adecuada para cortes al hilo de la madera.	Cambie la hoja; generalmente la hoja para cortes al hilo tiene menos dientes.

GARANTÍA

HERRAMIENTAS ELÉCTRICAS DE MANO Y ESTACIONARIAS RIDGID® – GARANTÍA DE SERVICIO LIMITADA DE TRES AÑOS

Debe presentarse prueba de la compra al solicitar servicio al amparo de la garantía.

Se limita a las herramientas de mano y estacionarias RIDGID® adquiridas a partir de 1/Feb./04. Este producto está manufacturado por One World Technologies, Inc., La licencia de uso de la marca comercial es otorgada por RIDGID, Inc. Toda comunicación en relación con la garantía debe dirigirse a One World Technologies, Inc., a la atención de: Servicio Técnico de Herramientas Eléctricas de Mano y Estacionarias RIDGID, al (línea gratuita) 1-866-539-1710.

POLÍTICA DE GARANTÍA DE SATISFACCIÓN DE 90 DÍAS

Durante los primeros 90 días a partir de la fecha de compra, si no está satisfecho con el desempeño de esta herramienta de mano o estacionaria RIDGID® por cualquier razón, puede devolverla al establecimiento donde la adquirió, donde se le proporcionará un reembolso total o un intercambio. Para recibir una herramienta de reemplazo, debe presentar documentación de prueba de la compra, y devolver el equipo original empaquetado con el producto original. La herramienta de reemplazo queda cubierta por la garantía limitada por el resto del período de garantía de servicio de 3 AÑOS.

LO QUE ESTÁ CUBIERTO POR LA GARANTÍA DE SERVICIO LIMITADA DE 3 AÑOS

Esta garantía de las herramientas de mano y estacionarias RIDGID® cubre todos los defectos en materiales y mano de obra, así como piezas desgastables como escobillas, portabrocas, motores, interruptores, cordones eléctricos, engranajes e incluso las pilas inalámbricas de esta herramienta RIDGID® por tres años a partir de la fecha de compra de la herramienta. Las garantías de otros productos RIDGID® pueden ser diferentes.

FORMA DE OBTENER SERVICIO

Para obtener servicio para esta herramienta RIDGID®, debe devolverla, ya sea con el flete pagado por anticipado, o llevarla a un centro de servicio autorizado para herramientas eléctricas de mano y estacionarias de la marca RIDGID®. Para obtener información sobre el centro de servicio autorizado más cercano a usted, le suplicamos llamar al (línea gratuita) 1-866-539-1710 o visitar el sitio electrónico de RIDGID® en la red mundial, www.ridgid.com. Al solicitar servicio al amparo de la garantía, debe presentar el recibo fechado de venta. El centro de servicio autorizado reparará toda mano de obra deficiente del producto, y reparará o reemplazará cualquier pieza cubierta en la garantía, a nuestra sola discreción, sin ningún cargo al consumidor.

LO QUE NO ESTÁ CUBIERTO

Esta garantía se ofrece exclusivamente al comprador original al menudeo y no puede transferirse. Esta garantía sólo cubre defectos que surjan en el uso normal de la herramienta y no cubre ningún malfuncionamiento, falla o defecto producido por el uso indebido, maltrato, negligencia, alteración, modificación o reparación efectuada por terceros diferentes de los centros de servicio autorizados para herramientas eléctricas de mano y estacionarias de la marca RIDGID®. No están cubiertos los accesorios suministrados con la herramienta, como las hojas, brocas, papel de lija, etc.

RIDGID, INC. Y ONE WORLD TECHNOLOGIES, INC. NO OFRECEN NINGUNA GARANTÍA, DECLARACIÓN O PROMESA EN RELACIÓN CON LA CALIDAD O EL DESEMPEÑO DE SUS HERRAMIENTAS ELÉCTRICAS MÁS QUE LAS SEÑALADAS ESPECÍFICAMENTE EN ESTA GARANTÍA.

LIMITACIONES ADICIONALES

Hasta donde lo permiten las leyes relevantes, se desconoce toda garantía implícita, incluidas las GARANTÍAS DE COMERCIALIZACIÓN o IDONEIDAD PARA UN USO EN PARTICULAR. Toda garantía implícita, incluidas las garantías de comerciabilidad o idoneidad para un uso en particular, que no pueda desconocerse según las leyes estatales, está limitada a tres años a partir de la fecha de compra. One World Technologies, Inc. y RIDGID, Inc. no son responsables de daños directos, indirectos, incidentales o consecuentes. Algunos estados no permiten limitaciones en cuanto al período de vigencia de una garantía implícita y/o no permiten exclusiones o limitaciones de daños incidentales o consecuentes, por lo tanto es posible que esta limitación no se aplique en el caso de usted. Esta garantía le confiere derechos legales específicos, y es posible que usted goce de otros derechos, los cuales pueden variar de estado a estado.

One World Technologies, Inc.

P.O. Box 1427

Anderson, SC 29622

OPERATOR'S MANUAL

MANUEL D'UTILISATION

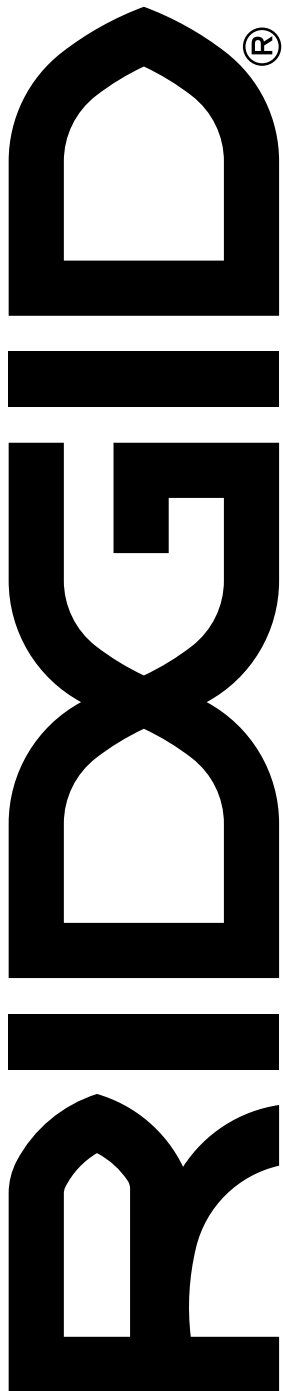
MANUAL DEL OPERADOR

10 in. TABLE SAW

SCIE À TABLE de 254 mm (10 po)

SIERRA DE MESA de 254 mm (10 pulg.)

R45171NS



Customer Service Information:

For parts or service, do not return this product to the store. Contact your nearest RIDGID® authorized service center. Be sure to provide all relevant information when you call or visit. For the location of the authorized service center nearest you, please call 1-866-539-1710 or visit us online at www.RIDGID.com.

MODEL NO. _____ SERIAL NO. _____

Service après-vente :

Pour acheter des pièces ou pour un dépannage, ne pas retourner ce produit au magasin. Contacter le centre de réparations RIDGID® agréé le plus proche. Veiller à fournir toutes les informations pertinentes lors de tout appel téléphonique ou visite. Pour obtenir l'adresse du centre de réparations agréé le plus proche, téléphoner au 1-866-539-1710 ou visiter notre site www.RIDGID.com.

NO. DE MODÈLE _____ NO. DE SÉRIE _____

Información sobre servicio al consumidor:

Para piezas de repuesto o servicio, no devuelva este producto a la tienda. Comuníquese con el centro de servicio autorizado de productos RIDGID® de su preferencia. Asegúrese de proporcionar todos los datos pertinentes al llamar o al presentarse personalmente. Para obtener información sobre el centro de servicio autorizado más cercano a usted, le suplicamos llamar al 1-866-539-1710 o visitar nuestro sitio en la red mundial, en la dirección www.RIDGID.com.

NÚM. DE MODELO _____ NÚM. DE SERIE _____

ONE WORLD TECHNOLOGIES, INC.

P.O. Box 1427
Anderson, SC 29622, USA
1-866-539-1710 ■ www.RIDGID.com

RIDGID is a registered trademark of RIDGID, Inc., used under license.