

Features

- Metal construction
- One-piece, self-contained ceramic disc valve allows both volume and temperature control
- Temperature memory allows faucet to be turned on and off at any temperature setting
- High-temperature limit stop for added safety
- 2.2 gallons (8.3 L) per minute
- Lower flow aerator options are available (refer to the Kohler Price Book)
- Flexible connections for easy installation
- 9" (22.9 cm) swing spout reach
- Remote lever handle

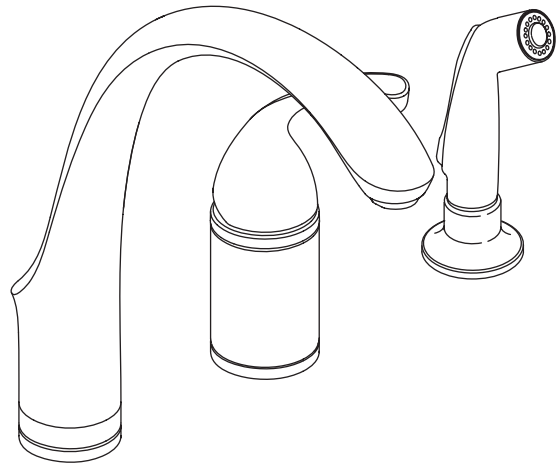
Codes/Standards Applicable

Specified model meets or exceeds the following:

- ASME A112.18.1
- CSA B125
- IAPMO/UPC
- NSF 61
- Energy Policy Act of 1992 (EPACT)
- ADA

**KITCHEN SINK HIGHPOUT FAUCET
K-10430**

ADA



Colors/Finishes

- CP: Polished Chrome
- BN: Brushed Nickel
- Other: Refer to Price Book for additional colors/finishes

Specified Model:

Model	Description	Colors/Finishes
K-10430	Kitchen Sink Faucet	<input type="checkbox"/> CP <input type="checkbox"/> BN <input type="checkbox"/> Other ____

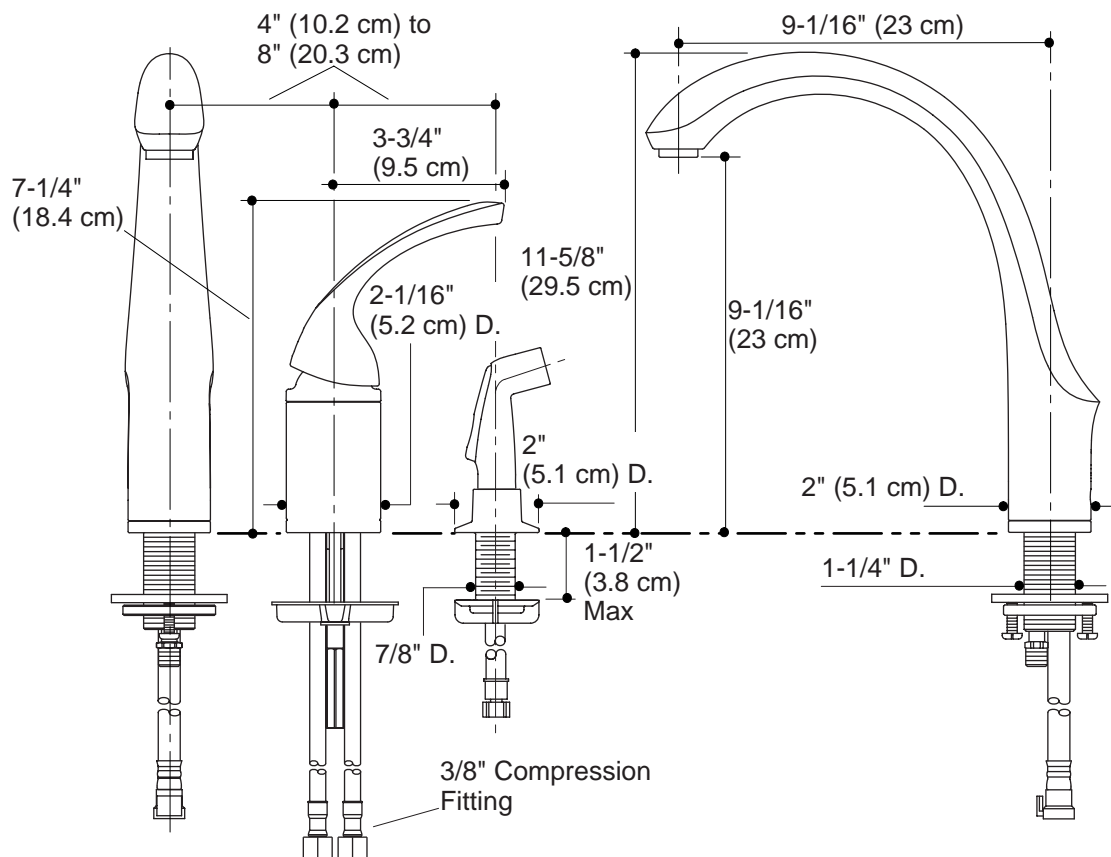
Product Specification

Single-control kitchen sink faucet shall be of metal construction. The valve shall be a one-piece, self-contained ceramic disc valve, and allows both volume and temperature control. The valve shall feature temperature memory, allowing the faucet to be turned on and off at any temperature setting, and includes a high-temperature limit stop. The faucet shall have a maximum flow rate of 2.2 gallons (8.3 L) per minute. Product shall have lower flow aerator options. Product shall include 9" (22.9 cm) swing spout reach, remote lever handle, and handspray. Faucet shall be ADA compliant. Faucet shall be Kohler Model K-10430-____.

FORTÉ®

Installation Notes

Install this product according to the installation guide.



Product Diagram