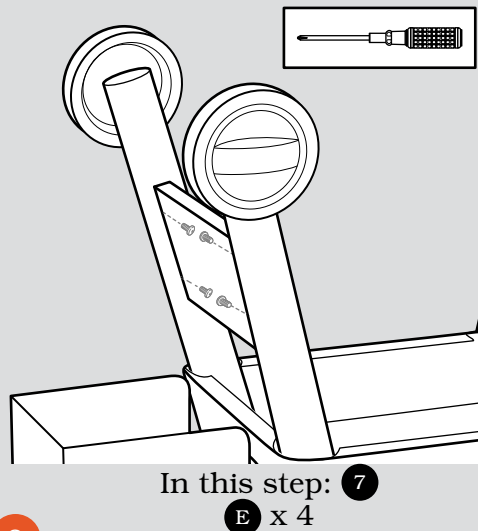
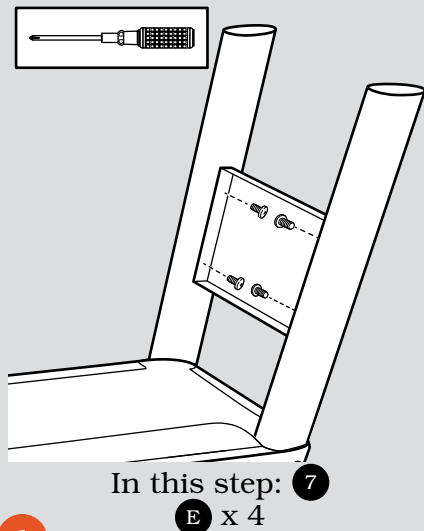
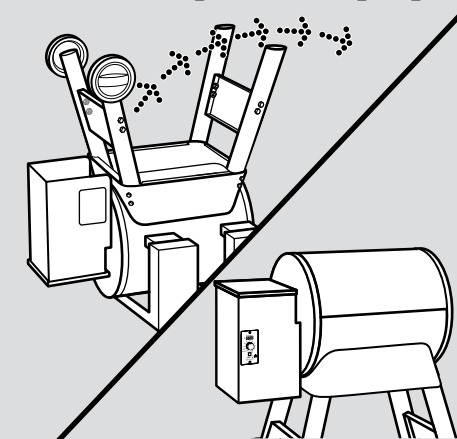


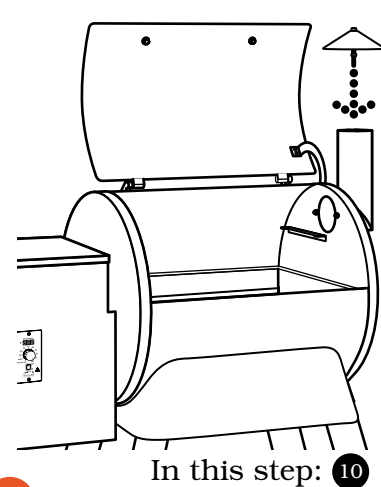
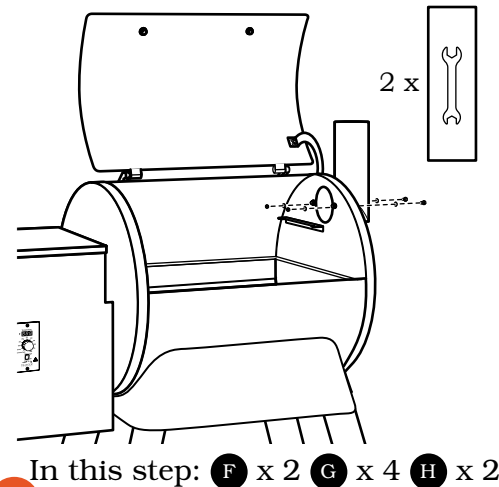
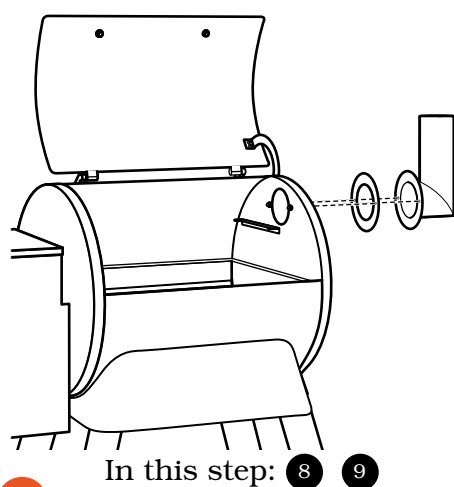
3 INSTALL LEG BRACES



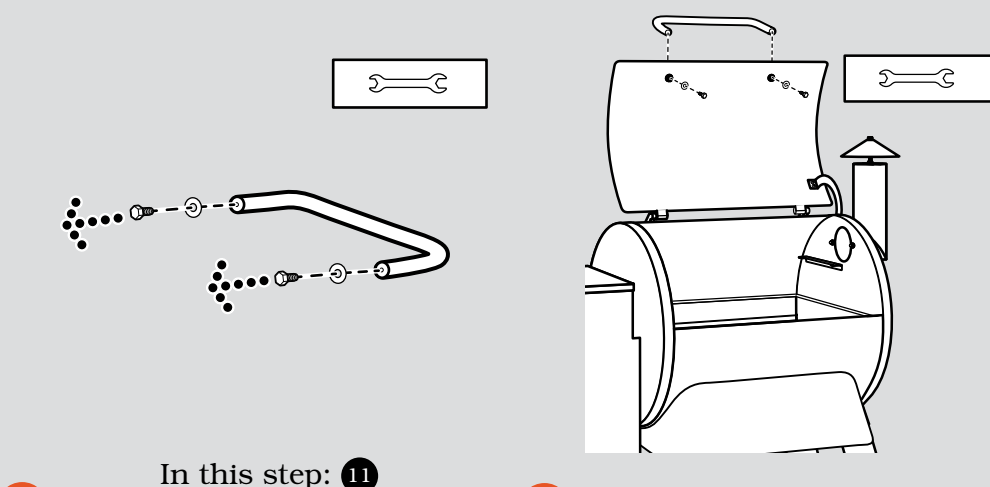
This will require TWO people.



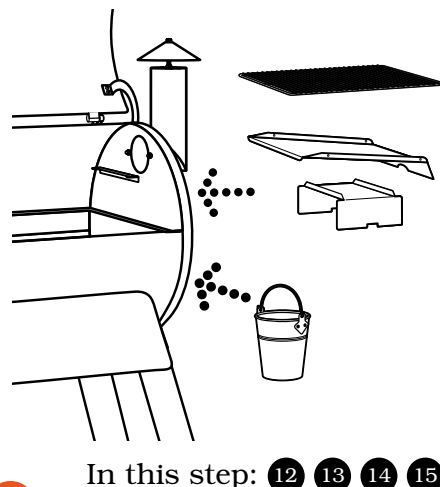
4 ATTACH FLUE PIPE AND CHIMNEY CAP ASSEMBLY



5 ATTACH HANDLE



6 PLACE INTERIOR PARTS AND BUCKET



You are ready to season your grill and get Traeger'ing!
Refer to your Owner's Manual for operation instructions.



ASSEMBLY GUIDE

Please read this entire manual before installation and use of this pellet fuel-burning appliance. Failure to follow these instructions could result in property damage, bodily injury, or even death. Contact your local building or fire officials about restrictions and installation inspection requirements in your area.

A MAJOR CAUSE OF FIRES IS FAILURE TO MAINTAIN REQUIRED CLEARANCES (AIR SPACES) TO COMBUSTIBLE MATERIALS. IT IS OF UTMOST IMPORTANCE THAT THIS PRODUCT BE INSTALLED ONLY IN ACCORDANCE WITH THESE INSTRUCTIONS. SAVE THESE INSTRUCTIONS.

WARNING!

Many parts of the grill will become very hot during operation. Care must be taken to avoid burns, both during operation and afterwards, while the grill is still hot.

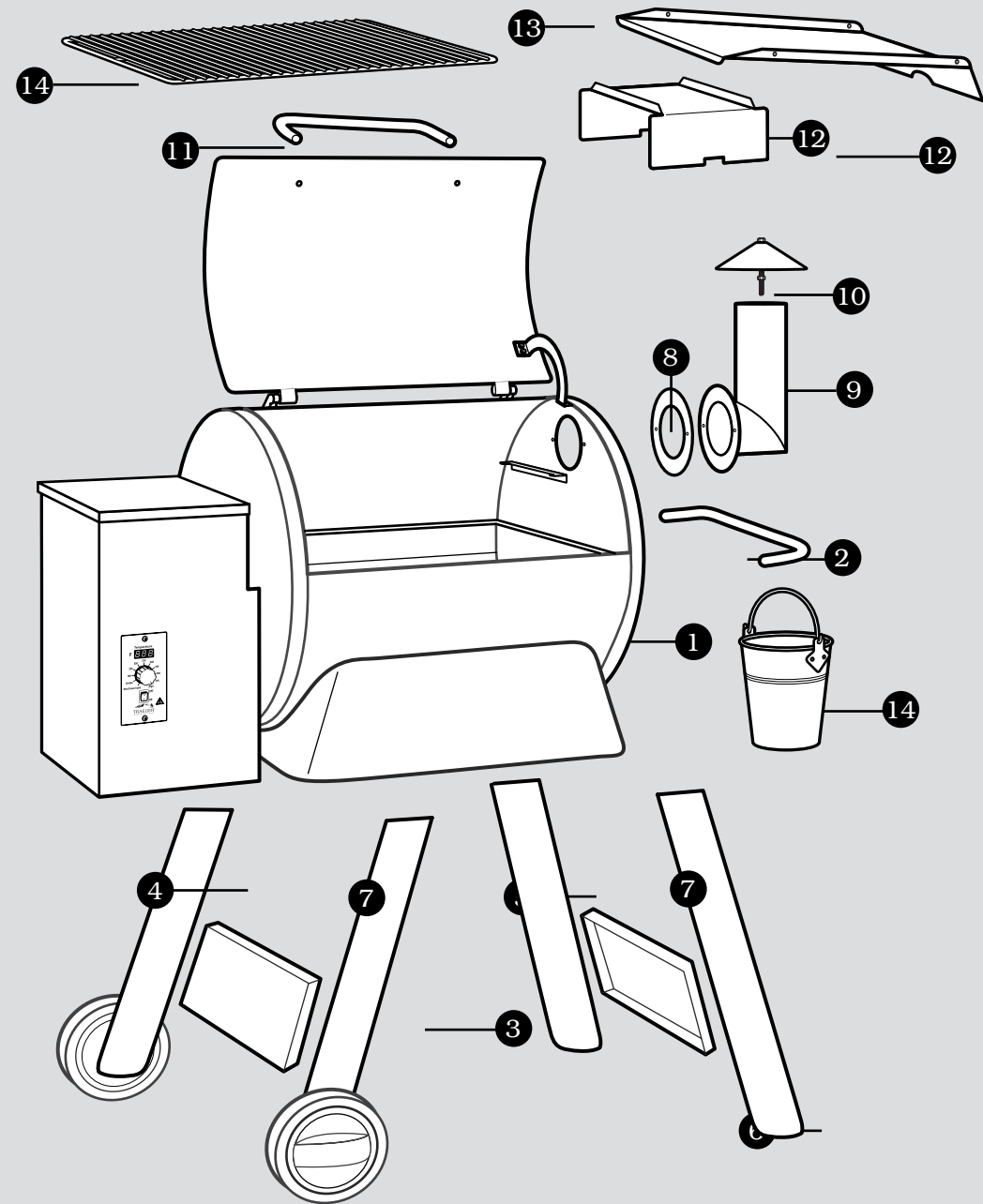
- Never leave the grill unattended when young children are present.
- Never move the grill when it is operating.
- Let the grill cool thoroughly before moving or attempting to transport.

TFB42DVB
TFB65DVC

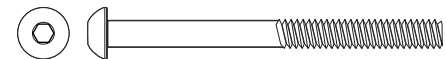
Traeger Pellet Grills LLC
1215 E. Wilmington Ave
Salt Lake City, UT 84106

traegergrills.com

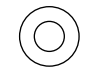
PARTS LIST



BLISTERPACK PARTS NEEDED



A Bolt: 5/16-18 socket head (8 pcs)



B Washer: 5/16" (16 pcs)



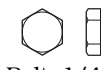
C Spring Washer: 5/16" (8 pcs)



D Hex Nut: 5/16-18 (8 pcs)



E Bolt: 1/4-20x.5 (8 pcs)



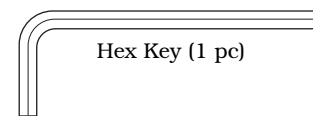
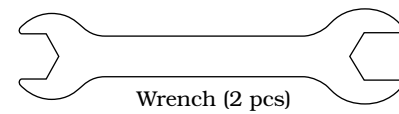
F Bolt: 1/4-20x.50 (2 pcs)



G Washer: 1/4" (4 pcs)



H Hex Nut: 1/4-20 (2 pcs)

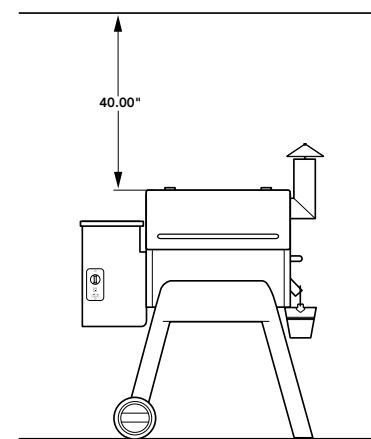
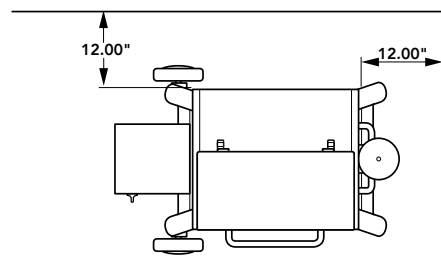


WARNING!

- When operating this grill under overhead combustibles, a **MINIMUM** of 40 inches is required.
- When operating this grill, maintain a **MINIMUM** distance of 12 inches from the Grill to combustibles.

IMPORTANT!

- The grill is very heavy. Always lift the grill with TWO people.



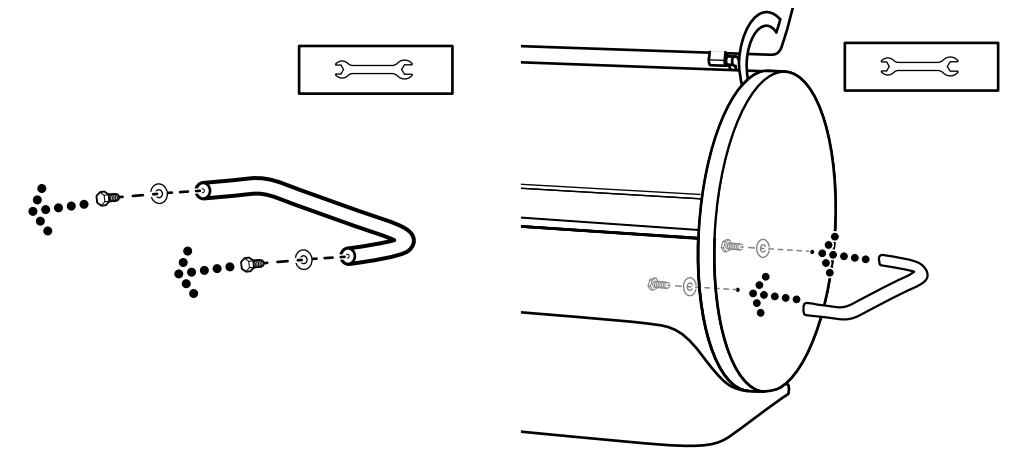
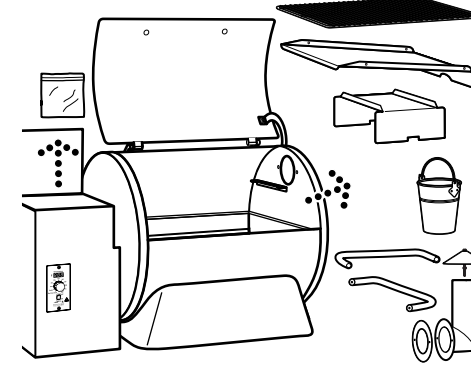
GRAB THE 6-PACK, GET THE TOOLS, CUE THE RADIO – IT'S ALMOST TRAEGER'ING TIME.

READ ALL INSTRUCTIONS BEFORE INSTALLING AND USING THE GRILL

Traeger'ing is more fun with friends! **(No, really, you will need two people to lift the grill.)**

1 UNPACK GRILL AND INSTALL SIDE LIFT BAR

NOTE: You should assemble grill on a clean, flat surface, as you will need to lay it on its back as well as its front at different times during assembly.



1

2

In this step: 2

3

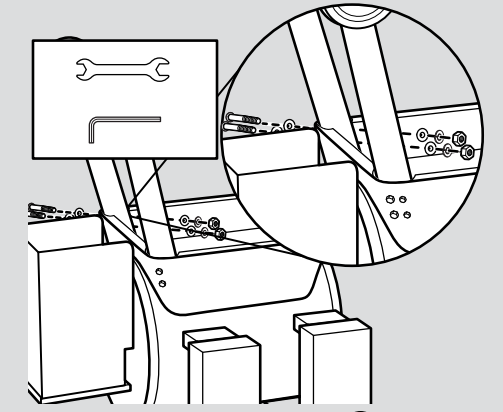
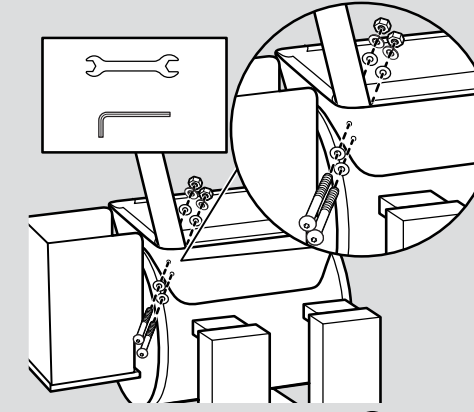
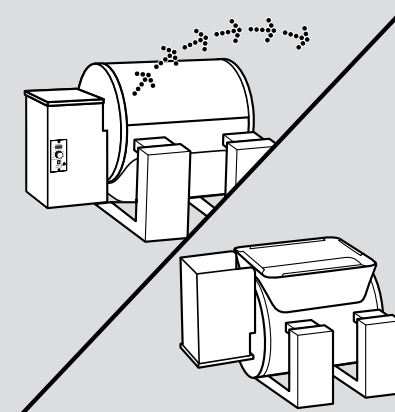
In this step: 1 2

2 INSTALL LEGS

This will require TWO people.

NOTE: When fastening legs to grill body, fasteners assemble in this order: **A B Leg B C D**

Grill is very heavy. Always lift grill with TWO people.



1

2

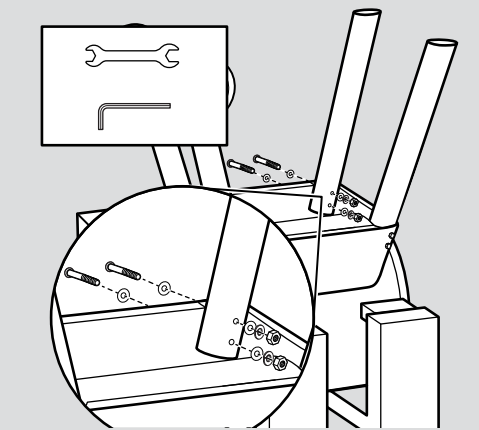
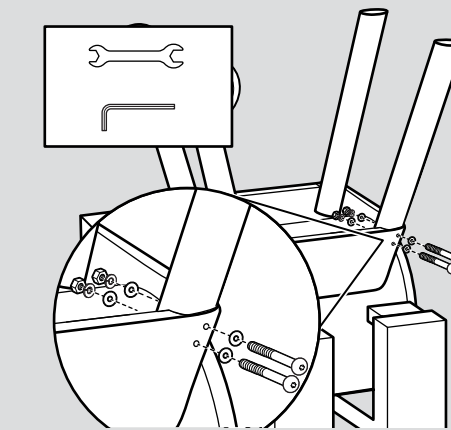
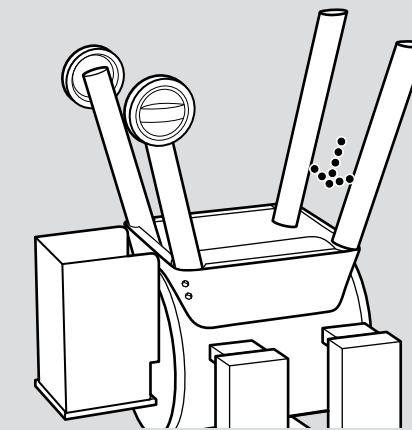
3

In this step: 3

A x 2 B x 4 C x 2 D x 2

In this step: 4

A x 2 B x 4 C x 2 D x 2



4

5

6

In this step: 5 6

In this step: 5

A x 2 B x 4 C x 2 D x 2

In this step: 6

A x 2 B x 4 C x 2 D x 2