

EXCLUSIVELY FOR USE WITH  
EGO POWER+ POWER HEAD PH1400

**Français p. 37**

**Español p. 74**

OPERATOR'S MANUAL  
**POLE SAW  
ATTACHMENT**  
MODEL NUMBER PSA1000

**⚠ WARNING:** To reduce the risk of injury, the user must read and understand the Operator's Manual before using this product. Save these instructions for future reference.



# TABLE OF CONTENTS

Safety Symbols . . . . .	4
Safety Instructions . . . . .	5-9
Introduction . . . . .	9
Specifications . . . . .	10
Packing List . . . . .	10
Description . . . . .	11-13
Assembly . . . . .	13-15
Operation . . . . .	16-20
Maintenance . . . . .	21-32
Troubleshooting . . . . .	33-34
Warranty . . . . .	35-36

# READ ALL INSTRUCTIONS!



READ & UNDERSTAND  
OPERATOR'S MANUAL

**⚠ WARNING:** Some dust created by power cutting contains chemicals known to the state of California to cause cancer, birth defects or other reproductive harm. Some examples of these chemicals are:

- Lead from lead - based paints
- Crystalline silica from bricks and cement and other masonry products, and
- Arsenic and chromium from chemically - treated lumber.

Your risk from these exposures varies, depending on how often you do this type of work. To reduce your exposure to these chemical: work in a well ventilated area, and work with approved safety equipment, such as those dust masks that are specially designed to filter out microscopic particles.

## SAFETY SYMBOLS

The purpose of safety symbols is to attract your attention to possible dangers. The safety symbols and the explanations with them deserve your careful attention and understanding. The symbol warnings do not, by themselves, eliminate any danger. The instructions and warnings they give are no substitutes for proper accident prevention measures.

**⚠ WARNING:** Be sure to read and understand all safety instructions in this Operator's Manual, including all safety alert symbols such as "**DANGER**," "**WARNING**," and "**CAUTION**" before using this tool. Failure to follow all instructions listed below may result in electric shock, fire, and/or serious personal injury.

### SYMBOL MEANING








**⚠ SAFETY ALERT SYMBOL:** Indicates **DANGER**, **WARNING**, OR **CAUTION**. May be used in conjunction with other symbols or pictographs.



**⚠ WARNING!** The operation of any power tools can result in foreign objects being thrown into your eyes, which can result in severe eye damage. Before beginning power tool operation, always wear safety goggles or safety glasses with side shields and a full face shield when needed. We recommend a Wide Vision Safety Mask for use over eyeglasses or standard safety glasses with side shields. Always use eye protection which is marked to comply with ANSI Z87.1.

# SAFETY INSTRUCTIONS

This page depicts and describes safety symbols that may appear on this product. Read, understand, and follow all instructions on the machine before attempting to assemble and operate it.

	Safety Alert	Indicates a potential personal injury hazard.
	Read & Understand Operator's Manual	To reduce the risk of injury, user must read and understand the operator's manual before using this product.
	Wear Eye Protection	Always wear safety goggles or safety glasses with side shields and a full face shield when operating this product.
	Wear Ear Protection	Pole pruner noise may damage your hearing. Always wear sound barriers (ear plugs or ear muffs) to protect your hearing.
	Wear Head Protection	Wear an approved safety hard hat to protect your head.
	Wear Protective Gloves	Protect your hands with gloves when handling saw and saw chain. Heavy-duty, nonslip gloves improve your grip and protect your hands.
	Wear Safety Footwear	Wear non-slip safety footwear when using this equipment.

	<p>Keep sufficient distance away from electrical power lines</p>	<p>To prevent electrocution, do not operate within 50 ft. (15m) of overhead electrical lines. Contact with or use near power lines may cause serious injury or electric shock resulting in death.</p>
	<p>Recycle Symbols</p>	<p>This product uses lithium-ion (Li-ion) batteries. Local, state, or federal laws may prohibit disposal of batteries in ordinary trash. Consult your local waste authority for information regarding available recycling and/or disposal options.</p>
<p>IPX4</p>	<p>Ingress Protection Degree</p>	<p>Protection from splashing water</p>
<p>V</p>	<p>Volt</p>	<p>Voltage</p>
<p>cm</p>	<p>Centimeter</p>	<p>Length or size</p>
<p>in.</p>	<p>Inch</p>	<p>Length or size</p>
<p>kg</p>	<p>Kilogram</p>	<p>Weight</p>
<p>lb</p>	<p>Pound</p>	<p>Weight</p>
	<p>Direct Current</p>	<p>Type or a characteristic of current</p>

## IMPORTANT SAFETY INSTRUCTIONS

**⚠ WARNING!** When using electric gardening appliances, basic safety precautions should always be followed to reduce the risk of fire, electric shock, and personal injury, including the following:

### READ ALL INSTRUCTIONS

**⚠ DANGER!** Do not operate near electrical power lines. The unit has not been designed to provide protection from electric shock in the event of contact with overhead electric lines, Consult local regulations for safe distances from overhead electric power lines and ensure that the operating position is safe and secure before operating the saw chain pole pruner.

**⚠ CAUTION!** Wear appropriate personal hearing protection during use. Under some conditions and durations of use, noise from this product may contribute to hearing loss.

- **Avoid Dangerous Environment** – Don't use appliances in damp or wet locations.
- **Keep Children Away** - All visitors should be kept at a distance away from work area.
- **Dress Properly** - Do not wear loose clothing or jewelry. They can be caught in moving parts. Use of rubber gloves and substantial footwear is recommended when working outdoors. Wear protective hair covering to contain long hair.
- **Use Safety Glasses** - Always use face or dust mask if operation is dusty.
- **Use Right Appliance** - Do not use appliance for any job except that for which it is intended.
- **Don't Force Appliance** - It will do the job better and with less likelihood of a risk of injury at the rate for which it was designed.
- **Don't Overreach** - Keep proper footing and balance at all times.
- **Stay Alert** - Watch what you are doing. Use common sense. Do not operate appliance when you are tired.
- **Keep all parts of the body away from the saw chain.** Do not remove cut material or hold material to be cut when blades are moving. Make sure the switch is off when clearing jammed material. Saw chain continues to move after the switch is turned off. A moment of inattention while operating the pole pruner may result in serious personal injury.
- **Carry the pole pruner by the handle with the saw chain stopped.** When transporting or storing the pole pruner, always fit the saw chain device cover. Proper handling of the pole pruner will reduce possible personal injury from the saw chain.
- **Hold the pole pruner by insulated gripping surfaces only,** because the saw chain may contact hidden wiring. A saw chain contacting a "live" wire may make exposed metal parts of the pole pruner "live" and could give the operator an electric shock.
- **Do not use the pole pruner in bad weather conditions, especially when there is a risk of lightning.** This decreases the risk of being struck by lightning.
- **To reduce the risk of electrocution, never use near any electrical power lines.** Contact with or use near power lines may cause serious injury or electric shock resulting in death.

- **Always use two hands when operating the pole pruner.** Hold the pole pruner with both hands to avoid loss of control.
- **Always use head protection when operating the pole pruner overhead.** Falling debris can result in serious personal injury.
- **Store Idle Appliances Indoors** - When not in use, appliances should be stored indoors in a dry and high or locked-up place with the battery pack removed- out of reach of children.
- **Maintain Appliance with Care** - Keep cutting edge sharp and clean for best performance and to reduce the risk of injury. Follow instructions for lubricating and changing accessories. Keep handles dry, clean, and free from oil and grease.
- **Check Damaged Parts** - Before further use of the product, a guard or other part that is damaged should be carefully checked to determine that it will operate properly and perform its intended function. Check for alignment of moving parts, binding of moving parts, breakage of parts, mounting, and any other condition that may affect its operation. A guard or other part that is damaged should be properly repaired or replaced by an authorized service center unless indicated elsewhere in this manual.
- **Do not charge the battery pack in rain, or in wet locations.**
- Use only with the battery packs and chargers listed below:

BATTERY PACK	CHARGER
BA1120, BA1400, BA2240	CH2100
BA2800, BA4200	CH5500

- Use Only With The 56V Lithium-Ion Power Head PH1400.
- **Do not dispose of the battery in a fire.** The cells may explode. Check with local codes for possible special disposal instructions.
- **Do not open or mutilate the battery.** Released electrolyte is corrosive and may cause damage to the eyes or skin. It may be toxic if swallowed.

**⚠ CAUTION!** The electrolyte is a dilute sulfuric acid that is harmful to the skin and eyes. It is electrically conductive and corrosive.

- **Exercise care in handling batteries in order not to short the battery with conducting materials such as rings, bracelets, and keys.** The battery or conductor may overheat and cause burns.
- **Replacement Parts** - When servicing, use only identical EGO replacement parts. Use of any other accessory or attachment may increase the risk of injury.



- **Battery tools do not have to be plugged into an electrical outlet; therefore, they are always in operating condition.** Be aware of possible hazards even when the tool is not operating. Take care when performing maintenance or service.
- **Remove or disconnect the battery pack before servicing, cleaning or removing material from the product.**
- **Do not wash with a hose; avoid getting water in motor and electrical connections.**
- **If situations occur that are not covered in this manual, use care and good judgment. Contact the EGO Customer Service Center for assistance.**
- **Save these instructions.** Refer to them frequently and use them to instruct others who may use this tool. If you lend this tool to someone else, also lend these instructions to them to prevent misuse of the product and possible injury.

### SAVE THESE INSTRUCTIONS

**NOTE: SEE YOUR POWER HEAD OPERATOR'S MANUAL FOR ADDITIONAL SPECIFIC SAFETY RULES.**

## INTRODUCTION

Congratulations on your selection of the EGO POLE SAW ATTACHMENT. It has been designed, engineered and manufactured to give you the best possible dependability and performance.

Should you experience any problem you cannot easily remedy, please contact EGO customer service center 1-855-EGO-5656.

This manual contains important information on to the safe assembly, operation and maintenance of your product. Read it carefully before using the product. Keep this manual handy so you can refer to it at any time.

SERIAL NUMBER \_\_\_\_\_ DATE OF PURCHASE \_\_\_\_\_

YOU SHOULD RECORD BOTH SERIAL NUMBER AND DATE OF PURCHASE AND KEEP THEM IN A SAFE PLACE FOR FUTURE REFERENCE

## SPECIFICATIONS

Guide Bar Length	10" (250mm)
Chain Pitch	3/8" (9.5mm)
Chain Gauge	0.043" (1.1mm)
Chain Oil Tank Capacity	7.5 oz (220ml)
Weight	4.17 lb. (1.89 kg)

## PACKING LIST

PART NAME	QUANTITY
Pole Saw Attachment	1
Chain Sheath	1
Dual-head Wrench	1
Operator's Manual	1

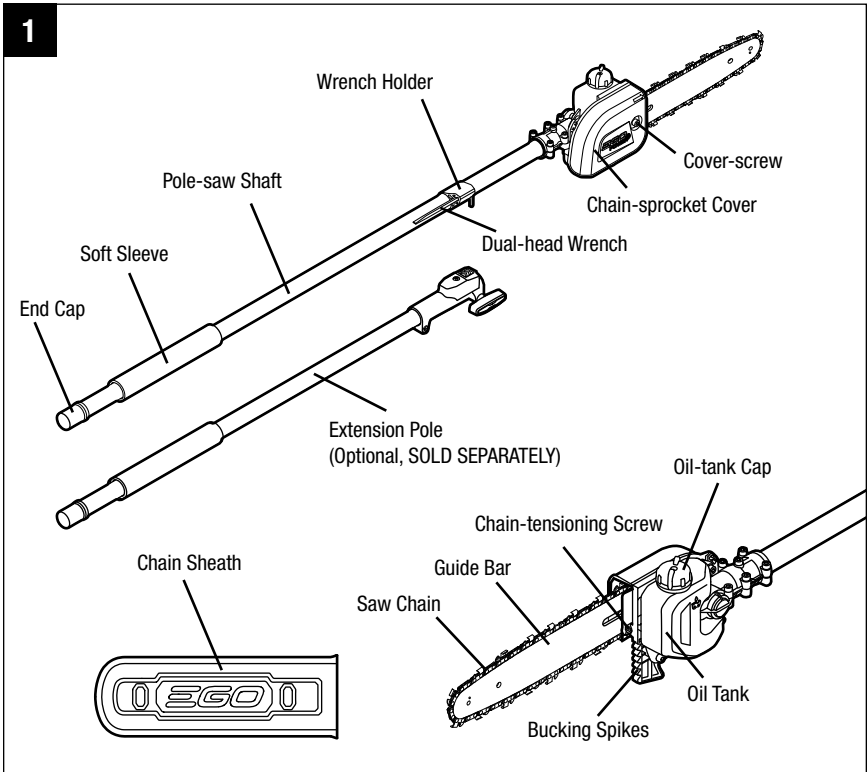
### Recommended Bar and Chain for this Pole Saw

PART NAME	TYPE	MODEL NUMBER
Guide Bar	104MLEA041 (Oregon)	AG1000
Saw Chain	90PX040X (Oregon)	AC1000

# DESCRIPTION

## KNOW YOUR POLE SAW ATTACHMENT (Fig. 1)

The safe use of this product requires an understanding of the information on the tool and in this operator's manual, as well as knowledge of the project you are attempting. Before using this product, familiarize yourself with all operating features and safety rules.



## **END CAP**

Prevents debris dropping into the attachment shaft inside.

## **SOFT SLEEVE**

Supports a firm grasp of the pole saw.

## **WRENCH HOLDER**

Stores the supplied dual-head wrench.

## **DUAL-HEAD WRENCH**

Lock/unlocks the hex head bolt and the flat screw.

## **GUIDE BAR**

Supports and guides the saw chain.

## **SAW CHAIN**

A loop of chain having cutting teeth that cuts the wood when it is driven by the power head and supported by the guide bar.

## **CHAIN SHEATH**

The chain sheath keeps the operator from coming in contact with the sharp chain blades when the tool is not in use. It also helps keep the chain blades from being nicked or damaged when the tool is in transportation and storage.

## **CHAIN-SPROCKET COVER**

Covers the chain-sprocket and secures the guide bar.

## **COVER-SCREW**

Locks/unlocks the chain-sprocket cover.

## **OIL TANK**

Stores the lubricant for the saw chain and allows user to see when to add lubricant by means of the semi-transparent tank housing.

## OIL-TANK CAP

Seals the oil tank.

## CHAIN-TENSIONING SCREW

For tension or release the saw chain.

## BUCKING SPIKES

The pointed tooth or teeth for use when felling or bucking to pivot the saw and maintain position while sawing.

# ASSEMBLY

**⚠ WARNING:** If any parts are damaged or missing, do not operate this product until the parts are replaced. Use of this product with damaged or missing parts could result in serious personal injury.

**⚠ WARNING:** Do not attempt to modify this product or create accessories not recommended for use with this pole saw. Any such alteration or modification is misuse and could result in a hazardous condition leading to possibly serious personal injury.

## UNPACKING

- This product requires assembly.
- Carefully remove the product and any accessories from the box. Make sure that all items listed in the packing list are included.
- Inspect the tool carefully to make sure that no breakage or damage occurred during shipping
- Do not discard the packing material until you have carefully inspected and satisfactorily operated the tool.
- If any parts are damaged or missing, please return the product to the place of purchase.

## CONNECTING THE POLE SAW ATTACHMENT TO THE POWER HEAD

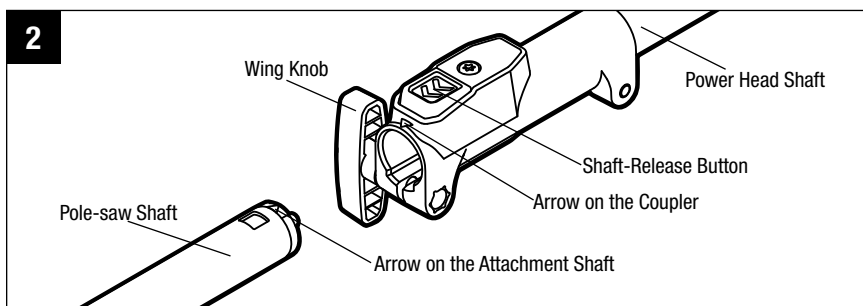
**⚠ WARNING:** Never attach or adjust any attachment while the power head is running or with the battery installed. Failure to stop the motor and remove the battery may cause serious personal injury.

This pole saw attachment is designed for use with EGO Power Head PH1400.

The pole saw attachment connects to the power head by means of a coupler device.

1. Stop the motor and remove the battery pack.
2. Loosen the wing knob.
3. Remove the end cap from the pole saw attachment. Align the arrow on the pole-saw shaft with the arrow on the coupler and push the pole-saw shaft into the coupler until you hear a clear “click” sound which indicates the pole-saw shaft is mounted into place (Fig. 2).
4. Pull the shaft of the attachment to verify it is securely locked into the coupler. If not, rotate the pole-saw shaft from side to side in the coupler until it snaps into place.
5. Tighten the wing knob securely.

**⚠ WARNING:** Be certain that the wing knob is fully tightened before operating the equipment; check it periodically for tightness during use to avoid serious personal injury.



## CONNECTING THE EXTENSION POLE EP7500 BETWEEN THE POWER HEAD AND THE POLE SAW ATTACHMENT (Available Separately)

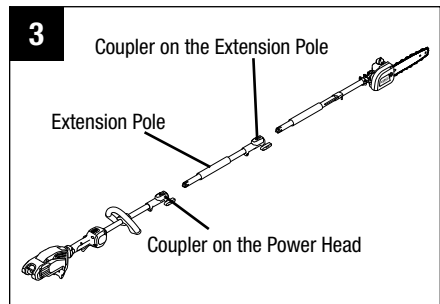
**⚠ WARNING:** Never attach or adjust any attachment while the power head is running or with the battery installed. Failure to stop the motor and remove the battery may cause serious personal injury.

This extension pole is designed for exclusive use with EGO Power Head PH1400 and Pole Saw Attachment PSA1000. Never use it with other EGO attachments.

The extension pole extends the cutting range. It should be connected between the pole saw attachment and the power head.

Follow the process in the section “CONNECTING THE POLE SAW ATTACHMENT TO THE POWER HEAD” to install the extension pole between the pole saw attachment and power head (Fig. 3).

**NOTICE:** Once assembled correctly, the pole saw attachment, extension pole and the power head should not separate when pulled. Always test the connection by pulling on them. Repeat the steps above if the pieces can be separated.



**⚠ WARNING:** Failure to secure the attachment and power head/extension pole as instructed above could result in serious injury or death.

## REMOVING THE ATTACHMENT FROM THE POWER HEAD

1. Stop the motor and remove the battery pack.
2. Loosen the wing knob.
3. Press the shaft-release button and, with the button depressed, pull or twist the pole-saw shaft out of the coupler to separate it from the power head or the extension pole (if used).
4. Repeat the process to separate the extension pole from the power head (if extension pole is used).

## OPERATION

**⚠ DANGER:** Never cut near power lines, electric cords, or other electric sources. If the bar and chain jams on any electrical cord or line, **DO NOT TOUCH THE BAR, CHAIN OR THE ALUMINUM POLE! THEY CAN BECOME ELECTRICALLY LIVE AND MAY BE VERY DANGEROUS.** Continue to hold the pole saw by the insulated rear handle or lay it down and away from you in a safe manner. Disconnect the electrical service to the damaged line or cord before attempting to free the bar and chain from the line or cord. Contact with the bar, chain, other conductive parts of the pole saw, or live electric cords or lines will result in death by electrocution or serious injury.

**⚠ WARNING:** Do not allow familiarity with this product to make you careless. Remember that a careless fraction of a second is sufficient to inflict serious injury.

**⚠ WARNING:** Always wear safety goggles or safety glasses with side shield marked to comply with ANSI Z87.1. Failure to do so could result in objects being thrown into your eyes and other possible serious injuries.

**⚠ WARNING:** Do not use any attachments or accessories not recommended by the manufacturer of this product. The use of attachments or accessories not recommended can result in serious personal injury.

Before each use, inspect the entire product for damaged, missing, or loose parts such as screws, nuts, bolts, caps, etc. Tighten securely all fasteners and caps and do not operate this product until all missing or damaged parts are replaced.

## APPLICATIONS

You may use this product for the purpose listed below:

- Limbing
- Pruning

## FILLING OILTANK WITH BAR AND CHAIN LUBRICANT

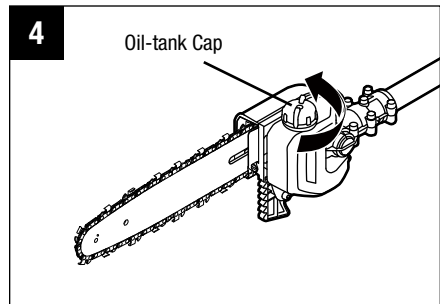
**⚠ WARNING:** To prevent accidental starting that could cause serious personal injury; always remove the battery pack from the tool before filling the tank with oil.



**⚠ WARNING:** Do not smoke or bring any fire or flame near the oil or the pole saw. Oil may spill and cause a fire.

**NOTICE:** The pole saw is not filled with oil at the time of purchase. It is essential to fill the tank with chain oil before use. Operating the pole saw without chain oil or when the oil level is below a certain amount will result in damage to the pole saw. Chain life and cutting capacity depend on optimum lubrication. The chain is automatically lubricated with chain oil during operation, if there is sufficient oil in the reservoir. Oil level should also be checked after every 20 minutes of use and refilled as needed.

1. Remove the battery pack from the power head.
2. Clean the oil-tank cap and the area around it to ensure that no dirt falls into the oil tank.
3. Place the pole saw attachment upright to ensure that the tank cap is facing upwards. Rotate the oil-tank cap counterclockwise to remove it (Fig. 4).
4. Carefully pour the bar and chain oil into the tank until it fills to the tank neck. Be careful not to let the oil spill from the opening. Wipe off any excess oil.



**NOTICE:**

- Use OREGON® bar and chain oil for best results. It is specially designed to provide low friction and faster cuts.
- Never use oil or other lubricants not specifically designed for use on the bar and chain. This can lead to a clogged oil system, which may cause premature wear of the bar and chain.
- Check the oil level frequently and refill as needed.
- Do not use dirty, used or other wise contaminated oils. Damage may occur to the bar or chain.

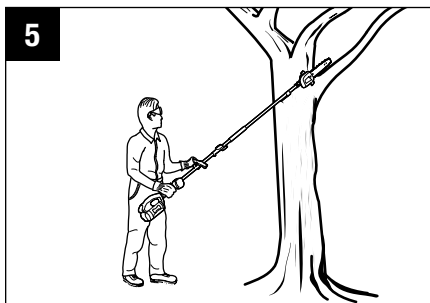
- It is normal for oil to seep from the saw when it is not in use. To prevent seepage, empty the oil tank after each use, and then run the saw for one minute. When storing the tool for a long period of time, be sure the chain is lightly lubricated; this will prevent rust on the chain and bar sprocket.
- To preserve natural resources, please recycle or dispose of oil properly. Consult your local waste authority for information regarding available recycling and disposal options.

## TO START/STOP THE TOOL

See "**STARTING/STOPPING THE POWER HEAD**" section in the power head PH1400 operator's manual.

## PREPARATION FOR CUTTING (Fig. 5)

Refer to "Important Safety Instructions" earlier in this manual for appropriate safety equipment.



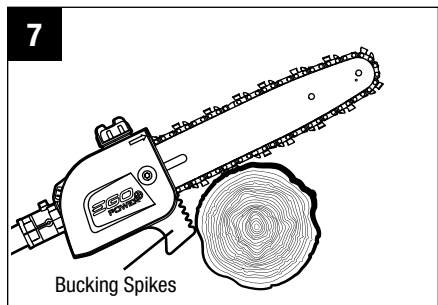
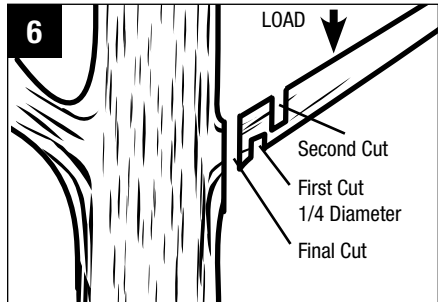
- Make sure that the chain is properly mounted and correctly tensioned.
- Lift the tip of the guide bar to check for any sagging in the chain. The chain is correctly tensioned when there is no sag on the underside of the guide bar and the chain is snug, but it can be turned by hand without binding. If the tension requires adjustment, refer to the "**REPLACING THE BAR AND CHAIN**" section in the Maintenance section of this manual for adjustment instructions.
- Check the tension of the cover screw before use. If it is loose, securely tighten the cover screw by turning it clockwise.
- Check the oil level and fill the tank as needed.
- Check the sharpness of the cutting teeth on the saw chain.
- Make sure the chain is well lubricated.
- Wear non-slip gloves for maximum grip and protection.
- Maintain a proper grip on the unit whenever the motor is running. Hold the unit firmly with both hands.
- Never stand directly under the limb you are cutting.

- Make sure that you have a secure and balanced footing. Watch out for obstacles such as tree stumps, roots and ditches, which could cause you to trip or stumble.

## BASIC CUTTING PROCEDURE (Fig. 6 & 7)

Follow the steps below to prevent damage to tree or shrub bark. Do not use a back-and-forth sawing motion.

1. Make a shallow first cut (1/4 of the limb diameter) on the underside of the limb, close to the main limb or trunk.
2. Make a second cut from the top side of the limb, outboard from the first cut. Continue the cut through the limb until the limb separates from the tree. Be prepared to balance the weight of the tool when the limb falls.
3. Make a final cut close to trunk.



**NOTICE:** For second and final cuts (from the top of the limb or branch), hold the bucking spikes against the limb being cut (Fig. 7). This will help to steady the limb and make it easier to cut. Allow the chain to cut for you; exert only light downward pressure. If you force the cut, damage to the bar, chain, or motor can result.

4. Release the trigger on the power head as soon as the cut is completed.

**NOTICE:** Failure to follow proper cutting procedures will result in the bar and chain binding and becoming pinched or trapped in the limb. If this should happen:

1. Stop the motor and remove the battery pack.
2. If the limb can be reached from the ground, lift the limb while holding the saw. This should release the “pinch” and free the saw.
3. If the saw is still trapped, call a professional for assistance.

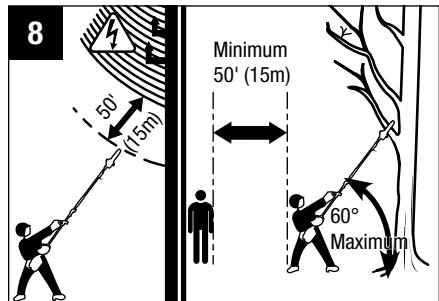
## LIMBING AND PRUNING

This pole saw attachment is designed for trimming small branches and limbs up to 8" in diameter. For best results, observe the following precautions.

1. Plan the cut carefully. Be aware of the direction in which the branch will fall.

**⚠ WARNING:** Branches may fall in unexpected directions. Do not stand directly under the branch being cut.

2. The most typical cutting application is to position the unit at an angle of 60° or less, depending on the specific situation, as shown in Fig. 8. As the angle of the pole-saw shaft to the ground increases, the difficulty of making the first cut (from the underside of limb) increases.
3. Remove long branches in several stages.
4. Cut lower branches first to allow the top branches more room to fall.
5. Work slowly, keeping both hands on the saw with a firm grip. Maintain secure footing and balance.
6. Keep the tree between you and the chain while limbing. Cut from the side of the tree opposite the branch you are cutting.
7. Do not cut from a ladder; this is extremely dangerous. Leave such operations for professionals.
8. Do not make the flush cut next to the main limb or trunk until you have cut off much of limb to reduce the weight. Following proper cutting procedures will prevent stripping the bark from the main member.
9. Do not use the pole saw for felling or bucking.
10. To prevent electrocution, do not operate within 50 ft. (15m) of overhead electrical lines (Fig. 8).
11. Keep bystanders at least 50 ft. (15m) away (Fig. 8).



# MAINTENANCE

**⚠ WARNING:** When servicing, use only identical replacement parts. Use of any other parts may create a hazard or cause product damage. To ensure safety and reliability, all repairs should be performed by a qualified service technician.

**⚠ WARNING:** Battery tools do not have to be plugged into an electrical outlet; therefore, they are always in operating condition. To prevent serious personal injury, take extra precautions and care when performing maintenance, service or for changing the cutting attachment or other attachments.

**⚠ WARNING:** To prevent serious personal injury, remove the battery pack from the power head before servicing, cleaning, changing add-on attachments or when the product is not in use.

## GENERAL MAINTENANCE

Avoid using solvents when cleaning plastic parts. Most plastics are susceptible to damage from various types of commercial solvents and may be damaged by their use. Use clean cloths to remove dirt, dust, oil, grease, etc.

**⚠ WARNING:** Do not at any time let brake fluids, gasoline, petroleum-based products, penetrating oils, etc., come in contact with plastic parts. Chemicals can damage, weaken, or destroy plastic, which may result in serious personal injury.

**⚠ WARNING:** When cleaning the pole saw attachment, DO NOT immerse it in water or other liquids.

## CLEANING

- After each use, remove the battery and clean debris from the chain and guide bar with a soft brush. Wipe the pole saw surface with a clean cloth moistened with a mild soap solution.
- Remove the chain-sprocket cover, and then use a soft brush to remove debris from the guide bar, saw chain, sprocket and chain-sprocket cover.
- Always clean out wood chips, saw dust, and dirt from the guide bar groove when replacing the saw chain.

All pole saw service, other than the items listed in these maintenance instructions, should be performed by competent pole saw service personnel.

## REPLACING THE BAR AND CHAIN

**⚠ WARNING:** Before performing any maintenance, make sure that the battery pack is removed. Failure to heed this warning could result in serious personal injury.

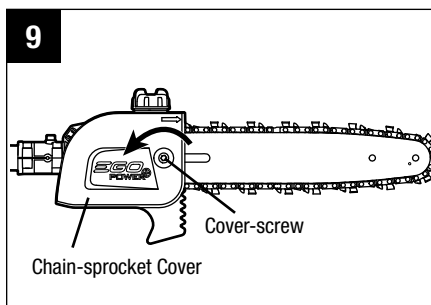
**⚠ WARNING:** Always wear gloves when handling the bar and chain; these components are sharp and may contain burrs.

**⚠ WARNING:** Never touch or adjust the chain while the motor is running. The saw chain is very sharp; always wear protective gloves when performing maintenance to the chain.

**NOTICE:** When replacing the guide bar and chain, always use the specified bar and chain combination listed in the “**Recommended Bar and Chain for this Pole Saw**” section.

## Disassembling the Worn Bar and Chain

1. Remove the battery, allow the pole saw to cool and tighten the oil-tank cap.
2. Position the pole saw attachment on its side on a firm, flat surface, so that the chain-sprocket cover is facing upwards (Fig. 9).
3. Wear gloves. Using the dual-head wrench provided, loosen the cover-screw assembly and remove it from the chain-sprocket cover.
4. Remove the chain-sprocket cover from the pole saw attachment. Clean the chain-sprocket cover with a dry cloth.
5. Remove the bar and chain from the mounting surface. Remove the worn chain from the bar.

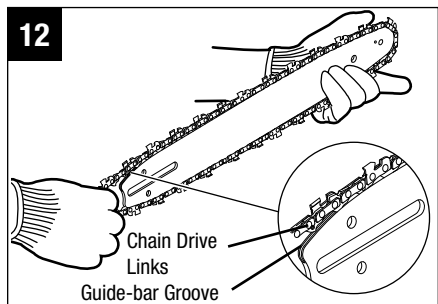
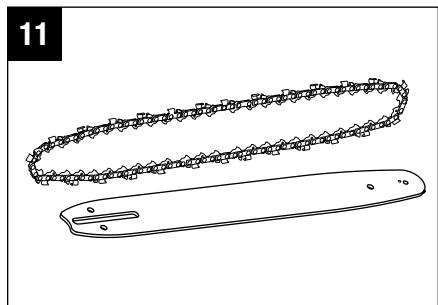
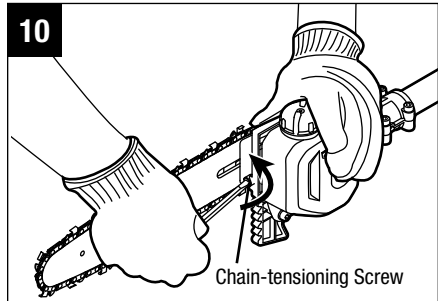


**NOTICE:** If there is difficulty in removing the bar and chain from the mounting surface, place the pole saw upright, with one hand supporting the bar, and loosen the chain-tensioning screw counterclockwise with the other hand (Fig. 10). Then remove the bar with the chain.

**NOTICE:** This is a good time to inspect the drive sprocket for excessive wear or damage.

## Assembling the New Bar and Chain

1. Lay the new saw chain in a loop on a flat surface and straighten any kinks (Fig. 11).
2. Place the chain drive links into the guide-bar groove. Position the chain so there is a loop at the back of the guide bar (Fig. 12).
3. Hold the chain in position on the guide bar and place the loop around the sprocket of the pole saw.



**NOTICE:** Small directional arrows are engraved in the saw chain. Another directional arrow is molded into the tool body (Fig. 13a). When looping the saw chain onto the sprocket, make sure that the direction of the arrows on the saw chain will correspond to the direction of the arrow on the tool body. If they face in opposite directions, turn over the saw chain and guide bar assembly (Fig. 13b).

4. Place the guide bar on the mounting surface by sliding the guide-bar slot over the alignment bulges, making sure that the tension-adjusting pin is inserted in the lower hole in the tail of the bar (Fig. 13a).

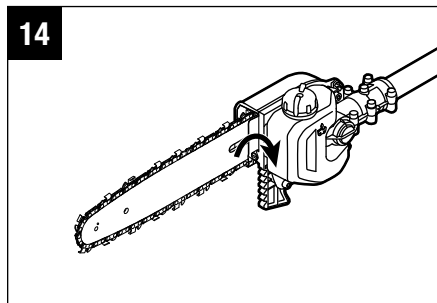
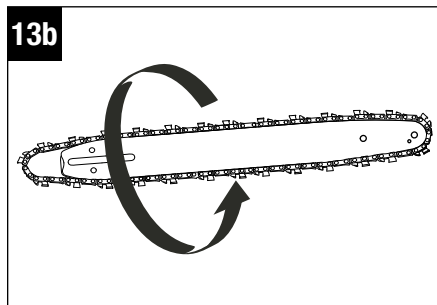
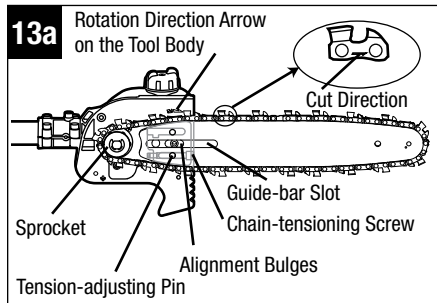
**NOTICE:** If there is difficulty in inserting the tension-adjusting pin into the hole, adjust the chain-tensioning screw properly until the tension-adjusting pin is located exactly in the hole.

5. Replace the chain-sprocket cover, insert the cover-screw assembly through its mounting hole, and then lightly tighten the chain-sprocket cover-screw by turning it clockwise. The bar must be free to move for tension adjustment.

**CAUTION:** The saw chain must be properly tensioned before using.

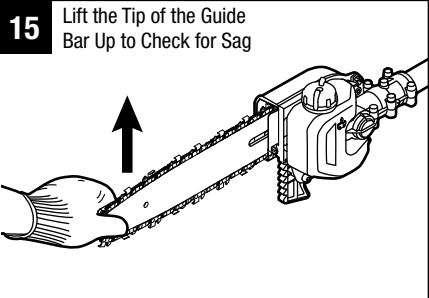
**NOTICE:** To extend the guide bar life, invert the bar occasionally.

6. Remove all the slack from the chain by turning the chain-tensioning screw clockwise until the chain seats snugly against the guide bar with the drive links in the guide-bar groove (Fig. 14).





7. Lift the tip of the guide bar to check for sag (Fig. 15). Release the tip of the guide bar and turn the chain-tensioning screw once clockwise. Repeat this process until the sag is eliminated.



8. Hold the tip of the guide bar up and tighten the chain-sprocket-cover screw securely. The chain is correctly tensioned when there is no sag on the underside of the guide bar and the chain is snug, but it can be turned by hand without binding.

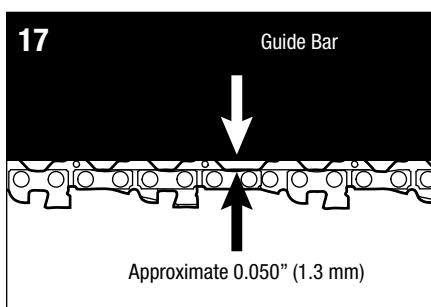
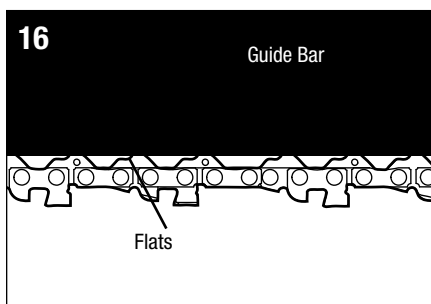
**NOTICE:** If the chain is too tight, it will not rotate. Loosen the chain-sprocket-cover screw slightly and turn the tensioning screw 1/4 turn counterclockwise. Lift the tip of the guide bar and retighten the chain-sprocket-cover screw securely. Assure that the chain will rotate without binding.

## ADJUSTING THE CHAIN TENSION

1. Stop the motor and remove the battery pack before adjusting the chain tension.
  2. Loosen the cover-screw to the point where it is finger tight.
  3. Turn the chain-tensioning screw clockwise to tension the chain. See the “**REPLACING THE BAR AND CHAIN**” section in this manual for additional information.
- A cold chain is correctly tensioned when there is no slack on the underside of the guide bar and the chain is snug, but it can be turned by hand without binding. The chain must be re-tensioned whenever the flats on the drive links do not sit in the bar groove as Fig. 16 shown.
  - During normal saw operation, the temperature of the chain will increase. The drive links of a correctly tensioned warm chain will hang approximately 0.050 in. (1.3 mm) out of the bar groove (Fig. 17).

**NOTICE:** New chains tend to stretch; check chain tension frequently and tension as required.

**NOTICE:** A chain tensioned while it is warm may be too tight upon cooling. Check the cold tension before next use.



## CHAIN MAINTENANCE

**⚠ WARNING:** Remove the battery pack before performing any maintenance; failure to heed this warning could result in serious personal injury.

**⚠ WARNING:** Always wear gloves when handling the saw chain; these components are sharp and may contain burrs.

Use only low-kickback chains on this saw. This fast cutting chain will provide kickback reduction when properly maintained.

A properly sharpened saw chain cuts through wood effortlessly, even with very little pressure.

Never use a dull or damaged saw chain. A dull saw chain cutter leads to increased physical strain, increased vibration load, unsatisfactory cutting results and increased wear.

For smooth and fast cutting, the chain needs to be maintained properly. The chain requires sharpening when the wood chips that result from cutting are small and powdery, the chain must be forced through the wood during cutting, or the chain cuts to one side. During maintenance of your chain, consider the following:

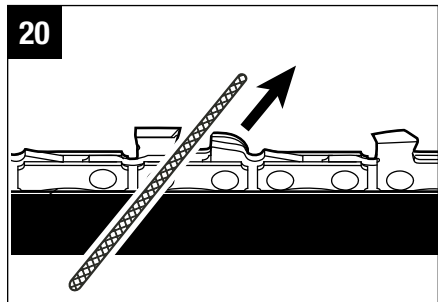
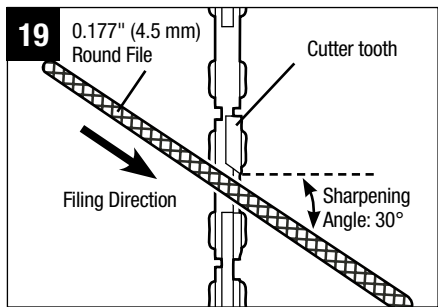
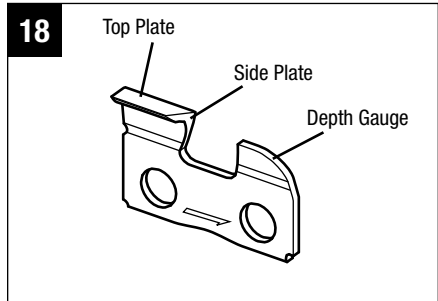
- Improper filing angle of the side plate can increase the risk of a severe kickback.
- Raker (depth gauge) clearance. Too low increases the potential for kickback. Not low enough decreases cutting ability.
- If cutter teeth have hit hard objects, such as nails and stones, or have been abraded by mud or sand on the wood, have the chain sharpened by a qualified service technician.

**NOTICE:** Inspect the drive sprocket for wear or damage when replacing the chain. If signs of wear or damage are present in the areas indicated, have the drive sprocket replaced by qualified service technician.

## How to Sharpen the Cutters

Be careful to file all cutters (Fig. 18) to the specified angles and to the same length, as fast cutting can be obtained only when all cutters are uniform.

1. Remove the battery pack. Wear gloves for protection.
2. Properly tension the chain prior to sharpening. Refer to the **“ADJUSTING THE CHAIN TENSION”** section earlier in this manual.
3. Use a 0.177" (4.5 mm) diameter round file and holder (available separately). Do all of your filing at the middle position of the guide bar.
4. Keep the file level with the top plate of the tooth. Do not let the file dip or rock.
5. Keep a correct sharpening angle of 30° between the file and the saw chain; see Fig. 19 & 20. Always use a file holder (available separately) when sharpening saw chains by hand. File holders have markings for the sharpening angle.
6. Using light but firm pressure, stroke towards the front corner of the tooth. Lift the file away from the steel on each return stroke.

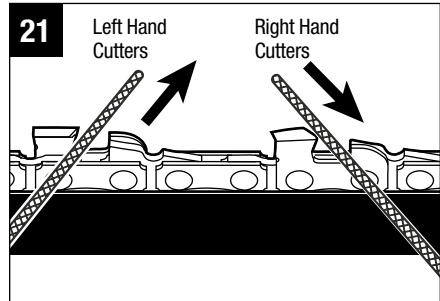


7. Make a few firm strokes on every tooth. File all left hand cutters in one direction. Then move to the other side and file the right hand cutters in the opposite direction. Occasionally remove filings from the file with a wire brush (Fig. 21).

**⚠ WARNING:** A dull or improperly sharpened chain can cause excessive motor speed during cutting, which may result in severe motor damage.

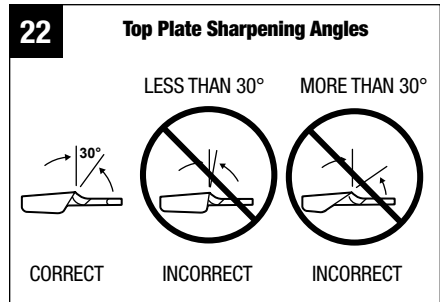
**⚠ WARNING:** Improper chain sharpening increases the potential of kickback.

**⚠ WARNING:** Failure to replace or repair a damaged chain can cause serious injury.



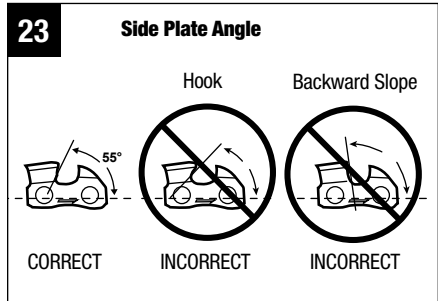
## Top Plate Sharpening Angles (Fig. 22)

- **CORRECT 30°**- This optimal angle can be obtained only when the specified files and proper setting are used. File holders are marked with guide marks to align the file properly to produce the correct top plate angle.
- **LESS THAN 30°**- The tooth is too dull for cutting.
- **MORE THAN 30°**- The edge of the cutting tooth is feathered and dulls quickly.



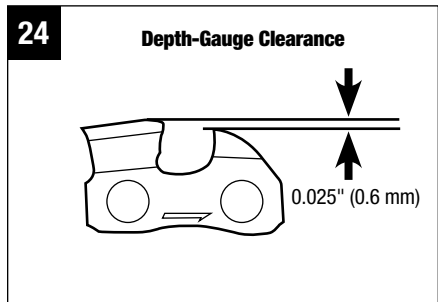
## Side Plate Sharpening Angle (Fig. 23)

- **CORRECT 55°**- The optimal angle can be produced automatically if the correct diameter file is used in the file holder.
- **HOO**K- “Grabs” and dulls quickly. Increases potential of KICKBACK. Results from using a file with a diameter that is too small, or a file held too low.
- **BACKWARD SLOPE**- Needs too much feed pressure, causes excessive wear to bar and chain. Results from using a file with a diameter too large, or a file held too high.



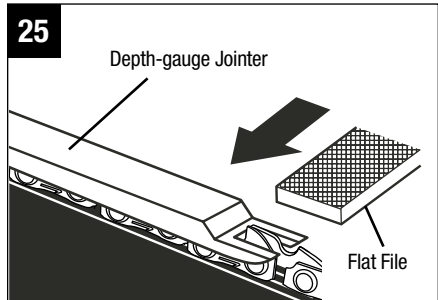
## Depth-Gauge Clearance

1. The depth gauge should be maintained at a clearance of 0.025 in. (0.6 mm), as shown in Fig. 24. Use a depth-gauge tool (available separately) to check the depth-gauge clearances.
2. Check the depth-gauge clearance every time the chain is filed.



Use a flat file and a depth-gauge jointer (both available separately) to lower all gauges uniformly (Fig. 25). Depth-gauge jointers are available from 0.020 in. to 0.035 in. (0.5 mm to 0.9 mm). Use a 0.025 in. (0.6 mm) depth-gauge jointer.

Depth gauges must be adjusted with the flat file in the same direction the adjoining cutter was filed with the round file. Use care not to contact the cutter face with the flat file when adjusting depth gauges.

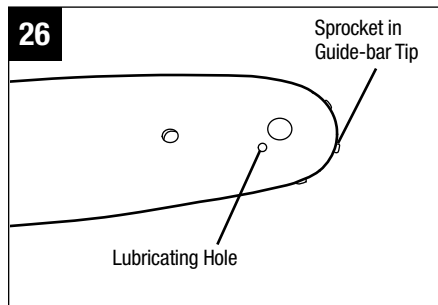


## GUIDE BAR MAINTENANCE

When the guide bar shows signs of wear, reverse it on the saw to distribute the wear for maximum bar life. The bar should be cleaned every day of use and checked for wear and damage. Feathering or burring of the bar rails is a normal process of bar wear. Such faults should be smoothed with a file as soon as they occur. A bar with any of the following faults should be replaced.

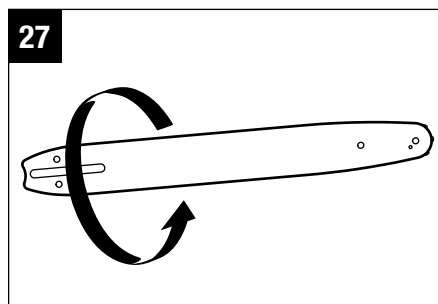
- Wear inside the bar rails which permits the chain to lay over sideways.
- Bent guide bar.
- Cracked or broken rails.
- Spread rails.

In addition, the guide bar has a sprocket at its tip. The sprocket must be lubricated weekly with a grease syringe to extend the guide bar life. Use a grease syringe to lubricate weekly with chain oil by means of the lubricating hole (Fig. 26). Turn the guide bar and check that the lubrication holes and chain groove are free from impurities.



## Reversing The Guide Bar

1. Remove the guide bar and chain from the pole saw, following the "**REPLACING THE BAR AND CHAIN**" section.
2. Remove the chain from the guide bar and turn the guide bar over (Fig. 27). The bottom of the bar will be on the top.
3. Replace the chain on the bar.
4. Reassemble the guide bar and chain on the pole saw and adjust the chain tension, following the "**REPLACING THE BAR AND CHAIN**" and "**ADJUSTING THE CHAIN TENSION**" sections.



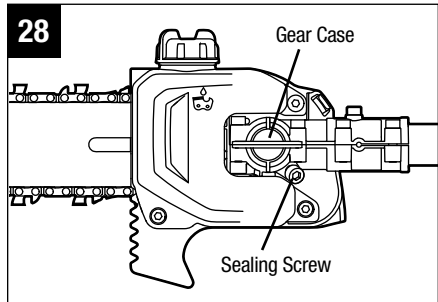
## TRANSMISSION GEARS LUBRICATION

The transmission gears in the gear case need be lubricated periodically with gear grease. Check the gear case grease level about every 50 hours of operation by removing the sealing screw on the side of the case.

If no grease can be seen on the sides of the gear, follow the steps below to fill with gear grease up to 3/4 capacity.

Do not completely fill the transmission gear case.

1. Position the pole saw attachment on its chain-sprocket cover side on a firm, flat surface, so that the sealing screw is facing upwards (Fig. 28).
2. Use the dual-head wrench provided to loosen and remove the injection screw.
3. Use a grease syringe (not included) to inject some grease into the screw hole, taking care not to exceed 3/4 capacity.
4. Tighten the sealing screw after injection.



## TRANSPORTING AND STORING

1. Do not store or transport the pole saw attachment when it is running. Always remove the battery pack before storing or transporting.
2. Always place the guide bar sheath on the guide bar and chain before storing or transporting the pole saw attachment. Use caution to avoid the sharp teeth of the chain.
3. Clean the pole saw thoroughly before storing. Store the pole saw indoors, in a dry place that is locked and/or inaccessible to children.
4. Keep away from corrosive agents such as garden chemicals and de-icing salts.



# TROUBLESHOOTING

PROBLEM	CAUSE	SOLUTION
<p>Motor does not run.</p>	<ul style="list-style-type: none"> <li>■ The battery pack is not attached to the pole saw.</li> <li>■ No electrical contact between the saw and battery.</li> <li>■ The battery pack is depleted.</li> <li>■ The lock-off button is not depressed before pressing the trigger.</li> <li>■ The battery pack or power head is too hot.</li> <li>■ Saw chain is bound in the wood.</li> <li>■ Debris in bar groove.</li> <li>■ Debris in chain-sprocket cover.</li> </ul>	<ul style="list-style-type: none"> <li>■ Attach the battery pack to the pole saw.</li> <li>■ Remove battery, check contacts and reinstall the battery pack.</li> <li>■ Charge the battery pack.</li> <li>■ Press down the lock-off lever and hold it, then depress the trigger to turn on the pole saw.</li> <li>■ Allow the battery pack or power head to cool until the temperature drops below 152°F (67°C).</li> <li>■ Release the trigger; remove the saw chain and guide bar from the wood, then restart the pole saw.</li> <li>■ Press the saw chain against the wood, move the pole saw back and forth to discharge the debris.</li> <li>■ Remove battery pack, then remove chain-sprocket cover and clean out debris.</li> </ul>
<p>Motor runs, but chain does not rotate.</p>	<ul style="list-style-type: none"> <li>■ Chain does not engage drive sprocket.</li> </ul>	<ul style="list-style-type: none"> <li>■ Remove the battery pack and reinstall the chain, making sure that the drive links on the chain are fully seated on the sprocket.</li> </ul>

PROBLEM	CAUSE	SOLUTION
Pole saw does not cut properly.	<ul style="list-style-type: none"> <li>■ Insufficient chain tension.</li> <li>■ Dull chain.</li> <li>■ Chain installed backwards.</li> <li>■ Worn chain.</li> <li>■ Dry or excessively stretched chain.</li> <li>■ Chain not in bar groove.</li> </ul>	<ul style="list-style-type: none"> <li>■ Remove the battery pack and readjust the chain tension, following the section <b>“ADJUSTING THE CHAIN TENSION”</b>.</li> <li>■ Sharpen the chain cutters, following the section <b>“How to Sharpen the Cutters”</b>.</li> <li>■ Remove the battery pack and reinstall the saw chain, following the section <b>“REPLACING THE BAR AND CHAIN”</b>.</li> <li>■ Remove the battery pack and replace the chain following the section <b>“REPLACING THE BAR AND CHAIN”</b>.</li> <li>■ Check the oil level. Refill the oil tank if necessary.</li> <li>■ Remove the battery pack and reinstall the saw chain, following the section <b>“REPLACING THE BAR AND CHAIN”</b>.</li> </ul>
Bar and chain running hot and smoking.	<ul style="list-style-type: none"> <li>■ Check chain tension for over tightened condition.</li> <li>■ Chain oil tank is empty.</li> <li>■ Debris in guide bar groove.</li> </ul>	<ul style="list-style-type: none"> <li>■ Remove the battery pack and re-tension the saw chain; see the section <b>“ADJUSTING THE CHAIN TENSION”</b>.</li> <li>■ Filling bar and chain lubricant.</li> <li>■ Clear the debris in the groove.</li> </ul>

# WARRANTY

## EGO WARRANTY POLICY

5 year limited warranty on EGO outdoor power equipment and 3 year limited warranty on EGO Power+ System battery packs and chargers.

Please contact EGO Customer Service Toll-Free at 1-855-EGO-5656 any time you have questions or warranty claims.

## LIMITED SERVICE WARRANTY

FOR FIVE YEARS from the date of original retail purchase, this EGO product is warranted against defects in material or workmanship. Defective product will receive free repair.

FOR THREE YEARS from the date of original retail purchase, the EGO Power+ System battery pack and charger are warranted against defects in material or workmanship. Defective product will receive free repair.

This warranty does not cover routine maintenance parts and consumables, such as the saw chain and guide bar that can wear out from normal use within the warranty period.

- a) This warranty applies only to the original purchaser from an authorized EGO retailer and may not be transferred. Authorized EGO retailers are identified online at <http://egopowerplus.com/pages/warranty-policy>.
- b) The warranty period for any EGO product or part used for industrial, professional or commercial purpose is one year.
- c) This warranty is void if the product has been used for rental purpose.
- d) This warranty does not cover the damage resulting from modification, alteration or unauthorized repair.
- e) This warranty only covers defects arising under normal usage and does not cover any malfunction, failure or defect resulting from misuse, abuse (including overloading of the product beyond capacity and exposure to water or rain), accidents, neglect or lack of proper installation, and improper maintenance or storage.
- f) This warranty does not cover normal deterioration of the exterior finish, including but not limited to scratches, dents, paint chips, or to any corrosion or discoloring by heat, abrasive and chemical cleaners.



## **HOW TO OBTAIN SERVICE**

For warranty service, please contact EGO customer service toll-free at 1-855-EGO-5656. When requesting warranty service, you must present the original dated sales receipt. An authorized service center will be selected to repair the product according to the stated warranty terms.

## **ADDITIONAL LIMITATIONS**

To the extent permitted by applicable law, all implied warranties, including warranties of MERCHANTABILITY or FITNESS FOR A PARTICULAR PURPOSE, are disclaimed. Any implied warranties, including warranties of merchantability or fitness for a particular purpose, that cannot be disclaimed under state law are limited to five years from the date of purchase for outdoor power equipment and three years from date of purchase for battery pack and charger.

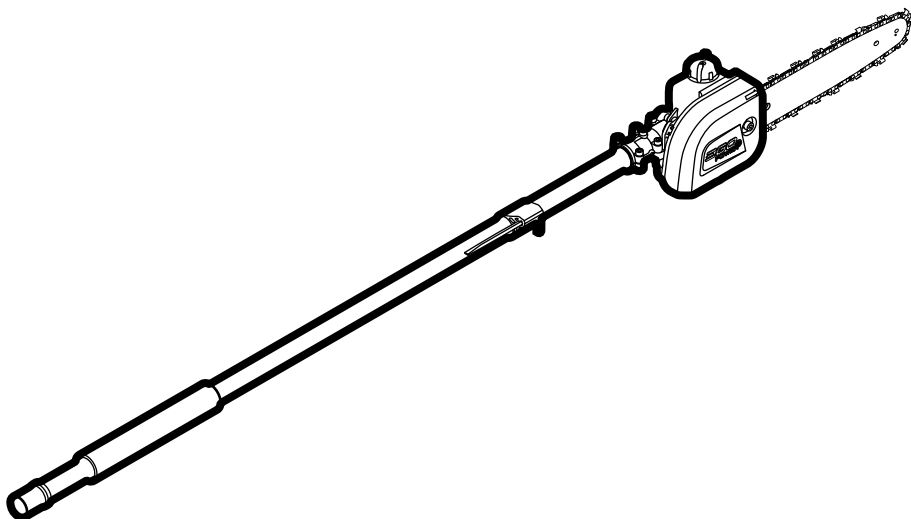
Chervon North America is not responsible for direct, indirect, incidental or consequential damages.

Some states do not allow limitations on how long an implied warranty lasts and/or do not allow the exclusion or limitation of incidental or consequential damages, so the above limitations may not apply to you.

This warranty gives you specific legal rights, and you may also have other rights which vary from state to state.

For customer service contact us toll-free at:1-855-EGO-5656 or [EGOPOWERPLUS.COM](http://EGOPOWERPLUS.COM)  
EGO Customer Service, 120 Ionia Street SW / Suite 102 Grand Rapids, MI 49503

# EGO™



EXCLUSIVEMENT POUR UTILISATION AVEC LA TÊTE  
D'ALIMENTATION EGO POWER+ PH1400

GUIDE D'UTILISATION

## SCIE À RALLONGE AMOVIBLE

NUMÉRO DE MODÈLE PSA1000

**⚠ AVERTISSEMENT :** Afin de réduire les risques de blessure, l'utilisateur doit lire et comprendre le guide d'utilisation avant d'utiliser ce produit. Conservez le présent guide afin de pouvoir le consulter ultérieurement.

## **TABLE DES MATIÈRES**

Symboles de sécurité .....	40
Consignes de sécurité .....	41-46
Introduction .....	47
Caractéristiques techniques .....	47
Liste des pièces contenues dans l'emballage .....	47
Description .....	48-50
Assemblage .....	50-52
Fonctionnement .....	53-58
Entretien .....	59-69
Dépannage .....	70-71
Garantie .....	72-73

# LISEZ TOUTES LES INSTRUCTIONS!



LIRE ET COMPRENDRE  
LE GUIDE D'UTILISATION

**⚠ AVERTISSEMENT :** Certaines poussières produites par l'utilisation d'outils de coupe électriques contiennent des produits chimiques reconnus par l'État de Californie comme causes de cancers, d'anomalies congénitales et de problèmes du système reproducteur. Voici des exemples de ces produits chimiques :

- Du plomb provenant de peintures à base de plomb
- De la silice cristalline provenant de la brique, du ciment et d'autres matériaux de maçonnerie et
- De l'arsenic et du chrome contenus dans le bois d'œuvre traité avec des produits chimiques.

Les risques liés à l'exposition à ces produits varient en fonction de la fréquence à laquelle vous effectuez ce type de travail. Pour réduire votre exposition à ces produits chimiques, travaillez dans une zone bien ventilée et portez l'équipement de sécurité approuvé, comme les masques antipoussières conçus pour ne pas laisser passer les particules microscopiques.

## SYMBOLES DE SÉCURITÉ

L'objectif des symboles de sécurité est d'attirer votre attention sur les dangers potentiels. Vous devez examiner attentivement et bien comprendre les symboles de sécurité et les explications qui les accompagnent. Les symboles d'avertissement en tant que tels n'éliminent pas le danger. Les consignes et les avertissements qui y sont associés ne remplacent en aucun cas les mesures préventives adéquates.

**⚠ AVERTISSEMENT** : Assurez-vous de lire et de comprendre toutes les consignes de sécurité présentées dans le guide d'utilisation, notamment tous les symboles d'alerte de sécurité indiqués par « **DANGER** », « **AVERTISSEMENT** » et « **MISE EN GARDE** » avant d'utiliser cet outil. Le non-respect des consignes de sécurité ci-dessous peut occasionner une décharge électrique, un incendie ou des blessures graves.

### SIGNIFICATION DES SYMBOLES

**⚠ SYMBOLE D'ALERTE DE SÉCURITÉ**: Indique un **DANGER**, un **AVERTISSEMENT** ou une **MISE EN GARDE**. Il peut être associé à d'autres symboles ou pictogrammes.









**⚠ AVERTISSEMENT!** L'utilisation de tout outil électrique peut entraîner la projection de corps étrangers dans les yeux et ainsi causer des lésions oculaires graves. Avant d'utiliser un outil électrique, veillez à toujours porter des lunettes de sécurité couvrantes ou à écrans latéraux, ou un masque complet au besoin. Nous recommandons le port d'un masque de sécurité panoramique par-dessus les lunettes ou de lunettes de sécurité standard avec écrans latéraux. Portez toujours des lunettes de sécurité conformes à la norme ANSI Z87.1.



# CONSIGNES DE SÉCURITÉ

Vous trouverez ci-dessous les symboles de sécurité qui peuvent être présents sur le produit, accompagnés de leur description. Vous devez lire, comprendre et suivre toutes les instructions présentes sur l'appareil avant d'entamer son assemblage ou sa manipulation.

	Alerte de sécurité	Indique un risque de blessure.
	Lire et comprendre le guide d'utilisation	Afin de réduire les risques de blessure, l'utilisateur doit lire et comprendre le guide d'utilisation avant d'utiliser ce produit.
	Porter des lunettes de sécurité	Lorsque vous utilisez ce produit, portez toujours des lunettes de protection ou de sécurité à écrans latéraux et un masque de protection complet.
	Porter des protecteurs d'oreille	Le bruit de la perche élagueuse peut endommager votre ouïe. Portez toujours des protecteurs auriculaires (bouchons ou protège-oreilles) pour protéger votre ouïe.
	Porter un casque protecteur	Portez un casque de sécurité approuvé pour protéger votre tête.
	Porter des gants de protection	Portez des gants pour protéger vos mains lorsque vous manipulez une scie ou sa chaîne. Des gants renforcés antidérapants assurent votre prise et protègent vos mains.
	Porter des chaussures de sécurité	Portez des chaussures de sécurité antidérapantes lors de l'utilisation de cet équipement.

	<p>Garder une distance suffisante par rapport aux lignes électriques</p>	<p>Pour éviter l'électrocution, n'utilisez pas cet équipement à moins de 15 m (50 pi) des lignes électriques aériennes. Le contact ou l'utilisation à proximité des lignes électriques peut causer des blessures graves ou des décharges électriques entraînant la mort.</p>
	<p>Symboles de recyclage</p>	<p>Le produit fonctionne à l'aide de piles au lithium-ion (Li-ion). La législation locale, provinciale ou fédérale peut interdire la mise au rebut des piles dans les ordures ménagères. Consultez l'organisme local de gestion des déchets au sujet des possibilités offertes en ce qui concerne la mise au rebut et/ou le recyclage.</p>
<p>IPX4</p>	<p>Indice de protection</p>	<p>Protection contre les éclaboussures d'eau</p>
<p>V</p>	<p>Volt</p>	<p>Tension</p>
<p>cm</p>	<p>Centimètre</p>	<p>Longueur ou taille</p>
<p>in.</p>	<p>Pouce</p>	<p>Longueur ou taille</p>
<p>kg</p>	<p>Kilogramme</p>	<p>Poids</p>
<p>lb</p>	<p>Livre</p>	<p>Poids</p>
	<p>Courant continu</p>	<p>Type de courant ou caractéristique de courant</p>

## CONSIGNES DE SÉCURITÉ IMPORTANTES

**⚠ AVERTISSEMENT!** Lorsque vous utilisez des appareils électriques de jardinage, vous devez toujours suivre les consignes de sécurité élémentaires ci-dessous afin de réduire le risque d'incendie, de décharge électrique et de blessure :

## LISEZ TOUTES LES INSTRUCTIONS

**⚠ DANGER!** Ne pas utiliser à proximité des lignes électriques. L'appareil n'offre aucune protection contre les décharges électriques en cas de contact avec des lignes électriques aériennes. Consultez les réglementations locales pour connaître les distances de sécurité à respecter pour les lignes électriques aériennes et veillez à ce que la position de fonctionnement soit sûre et sécurisée avant d'utiliser la chaîne de sciage de la perche élagueuse.

**⚠ MISE EN GARDE!** Portez des protecteurs d'oreilles appropriés lorsque vous utilisez l'outil. Dans certaines conditions et selon la durée d'utilisation, le bruit produit par ce produit peut entraîner une perte auditive.

- **Évitez les environnements dangereux.** N'utilisez pas les appareils dans un endroit mouillé ou humide.
- **Maintenez les enfants à l'écart.** Tous les visiteurs doivent se tenir à distance de la zone de travail.
- **Habillez-vous convenablement.** Ne portez pas de vêtements amples ni de bijoux qui peuvent s'accrocher. Ils pourraient se coincer dans les pièces mobiles de l'outil. Le port de gants de caoutchouc et de chaussures adaptées est recommandé lorsque vous travaillez à l'extérieur. Portez une coiffe de protection pour retenir les cheveux longs.
- **Portez des lunettes de sécurité.** Portez toujours un masque de protection ou un masque antipoussières lorsque l'endroit est poussiéreux.
- **Utilisez l'appareil adapté à la tâche.** N'utilisez pas l'appareil à des fins autres que celles pour lesquelles il a été conçu.
- **Ne forcez pas l'appareil.** Si vous l'utilisez au rythme approprié, il vous permettra de mieux accomplir le travail avec moins de risques de blessure.
- **Ne tendez pas les bras trop loin.** Gardez une position stable et un équilibre approprié en tout temps.
- **Restez attentif.** Faites attention à ce que vous faites. Faites preuve de bon sens. N'utilisez pas l'outil lorsque vous êtes fatigué.
- **Gardez toutes les parties de votre corps éloignées de la chaîne de sciage.** N'enlevez pas de matériau coupé et ne tenez pas de matériau à couper pendant que les lames sont en mouvement. Veillez à ce que l'interrupteur soit en position d'arrêt lorsque vous enlevez du matériau coincé dans l'outil. La chaîne de sciage continue à bouger après que le commutateur est désactivé. Un moment d'inattention lorsque vous utilisez la perche élagueuse peut occasionner des blessures graves.

- **Transportez la perche élagueuse au moyen de sa poignée, avec la chaîne de sciage immobile.** Installez toujours la gaine de la chaîne de sciage avant de transporter ou de ranger la perche élagueuse. Une manipulation appropriée de la perche élagueuse permet de réduire les risques de blessure avec la chaîne de sciage.
- **Tenez la perche élagueuse uniquement par les poignées protégées,** car la chaîne de la scie pourrait entrer en contact avec un câblage caché. Si la chaîne de sciage entre en contact avec un câble alimenté pendant que la perche élagueuse est en marche, cela risque d'exposer les pièces métalliques de l'outil électrique et d'occasionner un choc électrique à l'utilisateur.
- **N'utilisez pas la perche élagueuse dans des conditions météorologiques défavorables, surtout en cas de risque d'orage.** Cela réduit le risque d'être frappé par la foudre.
- **Pour réduire le risque d'électrocution, n'utilisez jamais l'appareil à proximité des lignes électriques.** Le contact ou l'utilisation à proximité des lignes électriques peut causer des lésions graves ou des décharges électriques entraînant la mort.
- **Lorsque vous utilisez une perche élagueuse, tenez-la toujours avec les deux mains.** Tenez la perche élagueuse avec les deux mains pour éviter de perdre le contrôle.
- **Utilisez toujours un casque protecteur pour la tête lorsque vous utilisez la perche élagueuse en hauteur.** La chute de débris peut provoquer des blessures graves.
- **Rangez les appareils inactifs à l'intérieur.** Lorsque vous n'utilisez pas la perche élagueuse, rangez-la à l'intérieur, hors de portée des enfants, dans un endroit sec et en hauteur ou dans un endroit verrouillé, et retirez le bloc-pile.
- **Entretenez soigneusement l'appareil.** Gardez la lame tranchante et propre pour obtenir un meilleur rendement et pour réduire les risques de blessure. Suivez les instructions de graissage et de changement d'accessoires. Les poignées doivent toujours être sèches, propres et exemptes d'huile ou de graisse.
- **Vérifiez si des pièces sont endommagées.** Avant d'utiliser le produit, inspectez soigneusement les protecteurs ou les autres pièces endommagés pour déterminer s'ils peuvent fonctionner correctement et être utilisés normalement. Vérifiez l'alignement des pièces mobiles et leur fixation ainsi que l'état et l'assemblage des pièces, et recherchez tout autre problème pouvant nuire au fonctionnement de l'appareil. Si un protecteur ou une autre pièce est endommagé(e), il (elle) doit être réparé(e) correctement ou remplacé(e) par un centre de service autorisé à moins d'indications contraires dans le présent guide.

- **Ne rechargez pas le bloc-pile ni sous la pluie ni dans un endroit humide.**
- Utilisez le produit uniquement avec les blocs-piles et les chargeurs indiqués ci-dessous :

BLOC-PILE	CHARGEUR
BA1120, BA1400, BA2240	CH2100
BA2800, BA4200	CH5500

- Utilisez seulement avec la tête d'alimentation PH1400 au lithium-ion de 56 V.
- **Ne jetez pas le bloc-pile au feu.** Les cellules pourraient exploser. Consultez la réglementation locale pour connaître les instructions de mise au rebut.
- **N'ouvrez pas et n'abîmez pas le bloc-pile.** L'électrolyte qu'il contient est corrosif et peut causer des lésions oculaires ou cutanées. Il peut être toxique s'il est ingéré.

**⚠ MISE EN GARDE!** L'électrolyte est un acide sulfurique dilué qui est nocif pour la peau et les yeux. C'est un matériau conducteur et corrosif.

- **Manipulez le bloc-pile avec soin pour ne pas créer un court-circuit avec des matériaux conducteurs comme des bagues, des bracelets ou des clés.** Le bloc-pile ou le conducteur peuvent surchauffer et causer des brûlures.
- **Pièces de rechange.** Lorsque vous procédez à l'entretien, utilisez uniquement des pièces de remplacement EGO identiques aux pièces d'origine. L'utilisation de tout autre accessoire peut augmenter le risque de blessure.
- **Les outils munis d'un bloc-pile n'ont pas besoin d'être branchés sur une prise de courant. Par conséquent, ils sont toujours prêts à l'emploi.** Gardez à l'esprit qu'il existe des dangers potentiels même lorsque l'outil ne fonctionne pas. Soyez prudents lorsque vous effectuez l'entretien ou des réparations.
- **Enlevez ou débranchez le bloc-pile avant de procéder à l'entretien ou au nettoyage de l'outil ou d'en retirer du produit.**
- **Ne nettoyez pas le taille-bordure avec un jet d'eau, car de l'eau pourrait s'infiltrer dans le moteur et les connexions électriques.**
- **S'il se produit une situation qui ne figure pas dans le présent manuel, faites preuve de prudence et de jugement. Communiquez avec le centre de service à la clientèle d'EGO pour obtenir de l'aide.**

- **Conservez ces instructions.** Consultez-les régulièrement et utilisez-les pour expliquer le fonctionnement de l'outil à d'autres personnes qui l'utiliseraient. Si vous prêtez cet outil à une personne, prêtez-lui également ces instructions afin de prévenir un usage inapproprié et des blessures potentielles.

## CONSERVEZ CES INSTRUCTIONS

**REMARQUE : CONSULTEZ LE GUIDE D'UTILISATION DE LA TÊTE D'ALIMENTATION POUR DAVANTAGE DE RÈGLES DE SÉCURITÉ.**

## INTRODUCTION

Nous vous félicitons d'avoir choisi cette SCIE À RALLONGE AMOVIBLE EGO. Cette scie a été conçue et fabriquée afin de vous offrir la meilleure fiabilité et le meilleur rendement possible.

Si vous éprouvez un problème que vous n'arrivez pas à régler facilement, veuillez communiquer avec le centre de service à la clientèle d'EGO au 1 855 EGO 5656.

Le présent guide contient des renseignements importants pour assembler, utiliser et entretenir en toute sécurité votre produit. Lisez-le soigneusement avant d'utiliser le produit. Conservez ce guide à portée de main afin de pouvoir le consulter à tout moment.

NUMÉRO DE SÉRIE \_\_\_\_\_ DATE D'ACHAT \_\_\_\_\_

NOUS VOUS RECOMMANDONS DE NOTER LE NUMÉRO DE SÉRIE ET LA DATE D'ACHAT ET DE LES CONSERVER EN LIEU SÛR AFIN DE POUVOIR LES CONSULTER ULTÉRIEUREMENT.

## CARACTÉRISTIQUES TECHNIQUES

Longueur du guide-chaîne	250 mm
Pas de chaîne	9,5 mm
Calibre	1,1 mm
Capacité du réservoir d'huile de la chaîne	220 ml
Poids	1,89 kg (4,17 lb)

## LISTE DES PIÈCES CONTENUES DANS L'EMBALLAGE

NOM DE PIÈCE	QUANTITÉ
Scie à rallonge amovible	1
Gaine de la chaîne	1
Clé à double tête	1
Guide d'utilisation	1

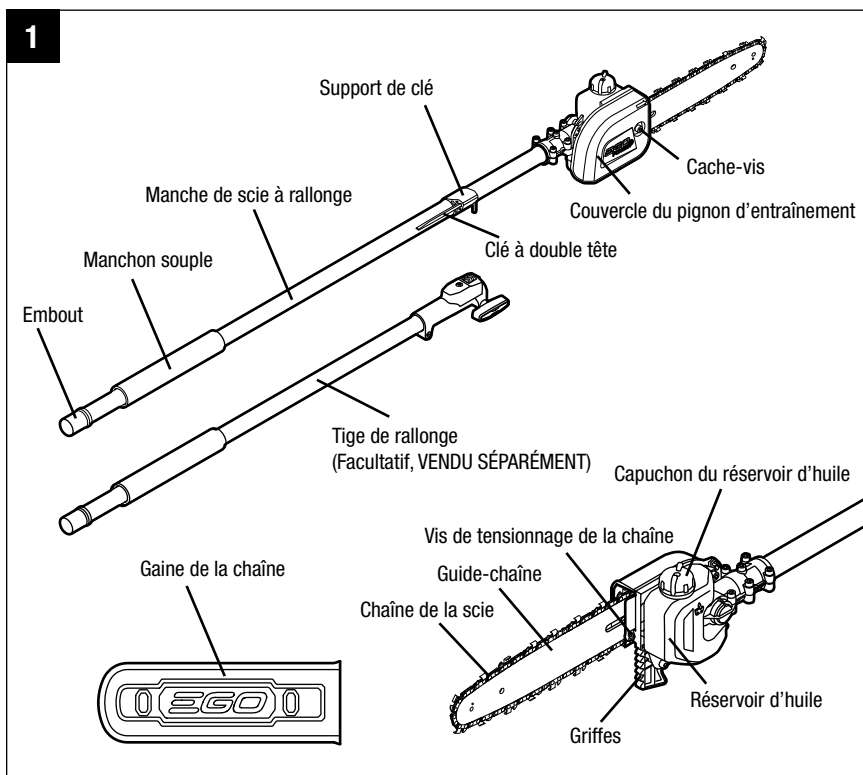
### Guide-chaîne et chaîne recommandés pour cette scie à rallonge

NOM DE PIÈCE	TYPE	NUMÉRO DE MODÈLE
Guide-chaîne	104MLEA041 (Oregon)	AG1000
Chaîne de scie	90PX040X (Oregon)	AC1000

# DESCRIPTION

## SE FAMILIARISER AVEC LA SCIE À RALLONGE AMOVIBLE (Fig. 1)

Pour utiliser ce produit en toute sécurité, vous devez comprendre les renseignements le concernant contenus dans ce guide d'utilisation et connaître le projet que vous entreprenez. Avant d'utiliser ce produit, familiarisez-vous avec toutes les caractéristiques de fonctionnement et consignes de sécurité.





## **EMBOUIT**

Empêche les débris de tomber dans le manche de l'accessoire à l'intérieur.

## **MANCHON SOUPLE**

Assure une prise ferme de la scie à rallonge.

## **SUPPORT DE CLÉ**

Permet d'entreposer la clé à double tête fournie.

## **CLÉ À DOUBLE TÊTE**

Permet de serrer/desserer le boulon à tête hexagonale et la vis plate.

## **GUIDE-CHAÎNE**

Soutient et guide la chaîne de la scie.

## **CHAÎNE DE LA SCIE**

Chaîne en boucle munie de dents tranchantes qui coupe le bois quand elle est entraînée par la tête d'alimentation et soutenue par le guide-chaîne.

## **GAINE DE LA CHAÎNE**

Empêche l'utilisateur d'entrer en contact avec les dents tranchantes de la chaîne lorsque l'outil n'est pas utilisé. Permet également d'empêcher que les dents de la chaîne s'ébrèchent ou s'endommagent lorsque l'outil est transporté ou rangé.

## **COUVERCLE DU PIGNON D'ENTRAÎNEMENT**

Couvre le pignon d'entraînement et immobilise le guide-chaîne.

## **CACHE-VIS**

Verrouille/déverrouille le couvercle du pignon d'entraînement.

## **RÉSERVOIR D'HUILE**

Stocke le lubrifiant de la chaîne de scie et permet à l'utilisateur de savoir quand ajouter du lubrifiant au moyen du réservoir semi-transparent.

## CAPUCHON DU RÉSERVOIR D'HUILE

Ferme le réservoir d'huile.

## VIS DE TENSIONNAGE DE LA CHAÎNE

Pour augmenter ou relâcher la tension de la chaîne de scie.

## GRIFFES

La ou les dents pointues utilisées lors de la coupe ou du tronçonnage pour faire pivoter la scie à chaîne tout en conservant sa position.

# ASSEMBLAGE

**⚠ AVERTISSEMENT :** S'il y a des pièces manquantes ou endommagées, ne tentez pas d'utiliser ce produit tant que ces pièces n'auront pas été remplacées. L'utilisation de ce produit avec des pièces endommagées ou manquantes peut causer des blessures graves.

**⚠ AVERTISSEMENT :** Ne tentez pas de modifier ce produit ni de créer des accessoires qui ne sont pas recommandés pour cette scie à rallonge. Toute altération ou modification de ce type constitue un usage inapproprié et peut engendrer une situation dangereuse susceptible de causer des blessures graves.

## DÉBALLAGE

- Ce produit doit être assemblé.
- Retirez soigneusement le produit et toutes les pièces de l'emballage. Assurez-vous que toutes les pièces mentionnées sur la liste de l'emballage sont présentes.
- Inspectez l'outil soigneusement pour vérifier qu'aucun bris ni dommage ne s'est produit au cours de l'expédition.
- Ne jetez pas le matériel d'emballage avant d'avoir inspecté soigneusement l'outil et de l'avoir fait fonctionner de manière satisfaisante.
- S'il y a des pièces manquantes ou endommagées, veuillez retourner le produit à l'endroit où vous l'avez acheté.

## CONNECTER LA SCIE À RALLONGE AMOVIBLE À LA TÊTE D'ALIMENTATION

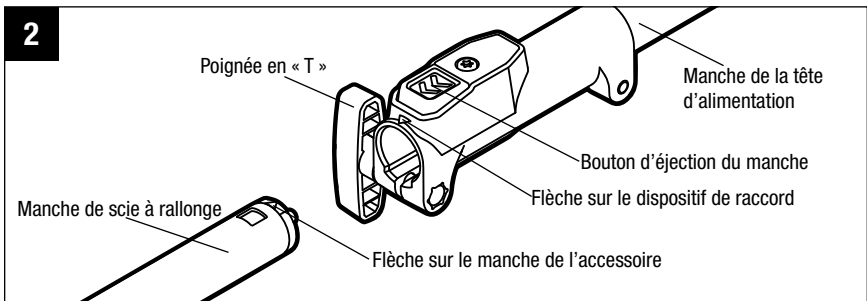
**⚠ AVERTISSEMENT :** Ne fixez ou n'ajustez jamais un accessoire pendant que la tête d'alimentation est en marche ou que le bloc-pile est en place. Laisser le moteur fonctionner et garder le bloc-pile en place peut entraîner de graves blessures.

Cette scie à rallonge amovible est conçue pour la tête d'alimentation EGO PH1400.

La scie à rallonge amovible se branche à la tête d'alimentation grâce à un dispositif de raccord.

1. Arrêtez le moteur et enlevez le bloc-pile.
2. Desserrez la poignée en « T ».
3. Retirez l'embout de la scie à rallonge amovible. Alignez la flèche sur le manche de la scie à rallonge à la flèche sur le dispositif de raccord et rentrez le manche de scie à rallonge dans le dispositif. Vous devriez entendre un « clic » qui indique que le manche de la scie à rallonge est bien en place (Fig. 2).
4. Tirez sur le manche de l'accessoire pour vous assurer qu'il est bien verrouillé dans le dispositif de raccord. Si ce n'est pas le cas, faites tourner le manche de la scie à rallonge de gauche à droite jusqu'à ce qu'il se verrouille dans le dispositif de raccord.
5. Serrez fermement la poignée en « T ».

**⚠ AVERTISSEMENT :** Assurez-vous que la poignée en « T » est serrée fermement avant de manipuler l'outil. Inspectez-la régulièrement pendant l'utilisation pour vous assurer qu'elle reste serrée et pour prévenir des blessures graves.



## BRANCHER LA TIGE DE RALLONGE EP7500 ENTRE LA TÊTE D'ALIMENTATION ET LA SCIE À RALLONGE AMOVIBLE (Disponible séparément)

**⚠ AVERTISSEMENT :** Ne fixez ou n'ajustez jamais un accessoire pendant que la tête d'alimentation est en marche ou que le bloc-pile est en place. Laisser le moteur fonctionner et garder le bloc-pile en place peut entraîner de graves blessures.

Cette tige de rallonge est conçue pour une utilisation exclusive avec les têtes d'alimentation EGO PH1400 et les scies à rallonge PSA1000. Ne l'utilisez jamais avec d'autres accessoires EGO.

La tige de rallonge étend le rayon de coupe. Elle doit être branchée entre la scie à rallonge amovible et la tête d'alimentation.

Suivez la marche à suivre de la section

« CONNECTER LA SCIE À RALLONGE

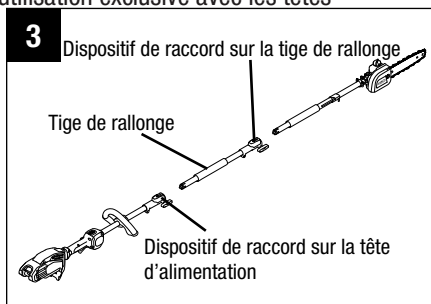
AMOVIBLE À LA TÊTE D'ALIMENTATION » pour installer la tige de rallonge entre la scie à rallonge amovible et la tête d'alimentation (Fig. 3).

**AVIS :** Une fois assemblées correctement, la scie à rallonge amovible, la tige de rallonge et la tête d'alimentation ne doivent pas se séparer lorsque vous tirez dessus. Testez toujours le raccordement en tirant sur l'assemblage. Répétez les étapes ci-dessus si les pièces peuvent être séparées.

**⚠ AVERTISSEMENT :** Un mauvais raccordement de l'accessoire avec la tige de rallonge/la tête d'alimentation non conforme aux consignes ci-dessus peut entraîner des blessures graves ou la mort.

## RETRAIT DE L'ACCESSOIRE DE LA TÊTE D'ALIMENTATION

1. Arrêtez le moteur et enlevez le bloc-pile.
2. Desserrez la poignée en « T ».
3. Appuyez sur le bouton d'éjection du manche et, tout en maintenant le bouton enfoncé, tirez ou tournez le manche de scie à rallonge du coupleur pour le séparer de la tête d'alimentation ou de la tige de rallonge (le cas échéant).
4. Répétez le processus pour séparer la tige de rallonge de la tête d'alimentation (si la tige de rallonge est utilisée).



## FONCTIONNEMENT

**⚠ DANGER :** N'effectuez jamais de coupe à proximité des lignes électriques, câbles électriques ou autres sources électriques. Si le guide-chaîne se prend dans un câble ou une ligne électrique, **NE TOUCHEZ PAS LE GUIDE, LA CHAÎNE OU LA TIGE D'ALUMINIUM! ILS PEUVENT DEVENIR CONDUCTEURS DE COURANT ET S'AVÉRER TRÈS DANGEREUX.** Continuez de tenir la scie à rallonge par la poignée arrière isolée ou posez-la loin de vous de manière sécuritaire. Déconnectez l'alimentation électrique de la ligne ou du câble endommagé(e) avant de libérer la chaîne et le guide-chaîne de la ligne ou du câble. Le contact avec la tige, la chaîne ou d'autres pièces conductrices de la scie à rallonge, ou avec des câbles ou des lignes électriques, entraînera la mort par électrocution ou des blessures graves.

**⚠ AVERTISSEMENT :** Même si vous connaissez parfaitement ce produit, soyez vigilant. N'oubliez pas qu'une fraction de seconde d'inattention suffit à se blesser gravement.

**⚠ AVERTISSEMENT :** Portez toujours des lunettes de sécurité couvrantes ou à écrans latéraux conformes à la norme ANSI Z87.1. Sinon, vous pourriez recevoir des débris dans les yeux et vous blesser gravement.

**⚠ AVERTISSEMENT :** N'utilisez pas de pièces ni d'accessoires qui ne sont pas recommandés par le fabricant de ce produit. L'utilisation de pièces ou d'accessoires non recommandés peut occasionner des blessures graves.

Avant chaque utilisation, inspectez l'intégralité du produit pour vérifier s'il y a des pièces endommagées, manquantes ou lâches, comme des vis, des boulons, des écrous, des capuchons, etc. Fixez fermement toutes les attaches et tous les capuchons et ne faites pas fonctionner ce produit tant que toutes les pièces manquantes ou endommagées n'ont pas été remplacées.

## UTILISATIONS

Vous pouvez utiliser ce produit pour les types de travaux listés ci-dessous :

- Ébranchage
- Élagage

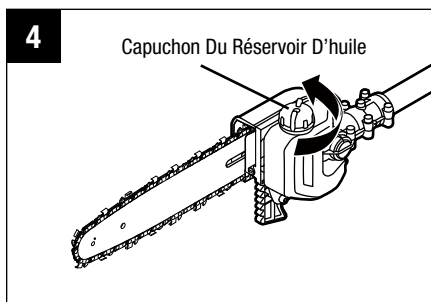
## REPLIR LE RÉSERVOIR D'HUILE DE LUBRIFIANT POUR GUIDE-CHAÎNE ET CHAÎNE

**⚠ AVERTISSEMENT :** Pour empêcher une mise en marche accidentelle pouvant causer des blessures graves, retirez toujours le bloc-pile de l'outil avant de remplir le réservoir d'huile.

**⚠ AVERTISSEMENT :** Ne fumez pas ni n'approchez de flamme près de l'huile ou de la scie à rallonge. Le lubrifiant pourrait se renverser et occasionner un incendie.

**AVIS :** La scie à rallonge ne contient pas de lubrifiant à l'achat. Il est donc essentiel de remplir son réservoir de lubrifiant à chaîne de l'utiliser. Utiliser la scie à rallonge quand son réservoir d'huile est vide ou que son niveau est en dessous d'un certain niveau l'endommagera. La durée de vie et l'efficacité de la chaîne dépendent d'une lubrification optimale. La chaîne est automatiquement lubrifiée pendant son fonctionnement s'il y a suffisamment de lubrifiant dans le réservoir. Le niveau d'huile doit également être vérifié toutes les 20 minutes d'utilisation et le réservoir doit être rempli au besoin.

1. Retirez le bloc-pile de la tête d'alimentation.
2. Nettoyez le capuchon du réservoir d'huile et la zone l'entourant pour vous assurer qu'aucune saleté ne tombera à l'intérieur du réservoir.
3. Placez la scie à rallonge amovible en position verticale pour veiller à ce que le bouchon du réservoir soit orienté vers le haut. Tournez le capuchon dans le sens contraire des aiguilles d'une montre pour l'enlever (Fig. 4).
4. Versez délicatement le lubrifiant pour guide-chaîne dans le réservoir jusqu'à ce qu'il atteigne le goulot du réservoir. Veillez à ce que le lubrifiant ne se déverse pas sur l'ouverture. Essayez l'excès d'huile.



### AVIS :

- Utilisez de l'huile à chaîne et guide-chaîne de la marque OREGONMD pour obtenir des résultats optimaux. Elle est spécialement conçue pour réduire la friction et accélérer les coupes.

- N'utilisez ni huiles ni lubrifiants n'ayant pas été précisément conçus pour être utilisés avec la chaîne et le guide-chaîne. En utiliser pourrait boucher le système de distribution de l'huile, ce qui entraînerait l'usure prématurée du guide-chaîne et de la chaîne.
- Vérifiez fréquemment le niveau d'huile et remplissez le réservoir au besoin.
- N'utilisez pas d'huiles sales, usées ou autrement contaminées. Elles pourraient endommager le guide-chaîne et la chaîne.
- Il est normal que de l'huile s'écoule de la scie à chaîne lorsqu'elle n'est pas utilisée. Pour éviter cet écoulement, videz le réservoir d'huile après chaque utilisation, puis faites fonctionner la scie une minute. Si vous prévoyez de stocker l'outil pendant longtemps, assurez-vous que sa chaîne est légèrement lubrifiée; la chaîne et le pignon d'entraînement seront ainsi protégés de la rouille.
- Pour préserver les ressources naturelles, veuillez recycler ou jeter l'huile de manière appropriée. Consultez l'organisme local de gestion des déchets au sujet des possibilités offertes pour la mise au rebut ou le recyclage.

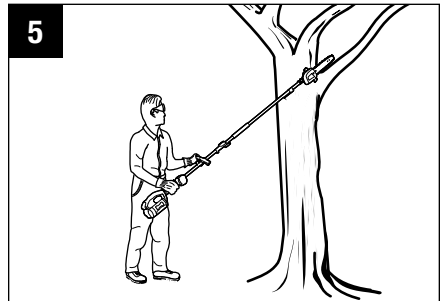
## POUR DÉMARRER ET ARRÊTER L'OUTIL

Consultez la section « **MISE EN MARCHÉ ET ARRÊT DE LA TÊTE D'ALIMENTATION** » du guide d'utilisation de la tête d'alimentation PH1400.

## PRÉPARATION POUR LA COUPE (Fig. 5)

Consultez les importantes consignes de sécurité énoncées ci-dessus pour connaître l'équipement de sécurité approprié.

- Assurez-vous que la chaîne est correctement installée et tensionnée.
- Levez le bout du guide-chaîne pour voir si la chaîne pend. La chaîne est correctement tensionnée quand elle ne pend pas sous le guide-chaîne et qu'elle est serrée, mais qu'elle peut être tournée à la main sans coincer. Si la tension nécessite un réglage, reportez-vous à la section « **REPLACER LE GUIDE-CHAÎNE ET LA CHAÎNE** » de la section Entretien de ce manuel et suivez les instructions d'ajustement.

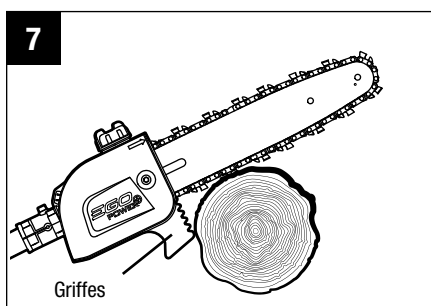
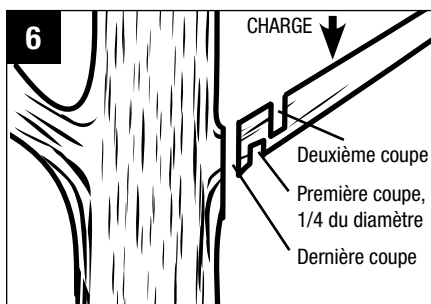


- Avant d'utiliser la scie, vérifiez la tension du cache-vis. S'il est desserré, serrez-le fermement en le tournant dans le sens des aiguilles d'une montre.
- Vérifiez le niveau d'huile et remplissez le réservoir au besoin.
- Vérifiez l'affûtage des dents tranchantes de la chaîne de la scie.
- Assurez-vous que la chaîne est bien lubrifiée.
- Portez des gants antidérapants pour une prise et une protection optimales.
- Maintenez une bonne prise sur l'unité chaque fois que le moteur est en marche. Tenez l'outil fermement avec les deux mains.
- Ne vous tenez jamais directement sous la branche que vous coupez.
- Assurez-vous que vous avez une posture sécuritaire et un bon équilibre. Faites attention aux obstacles, comme les souches, les racines et les fossés, qui pourraient vous faire trébucher ou tomber.

## PROCÉDURE DE COUPE BASIQUE (Fig. 6 & 7)

Suivez les étapes ci-dessous pour éviter d'endommager l'arbre ou l'écorce des arbustes. Évitez les mouvements de sciage d'avant en arrière.

1. Effectuez une première coupe peu profonde (1/4 du diamètre de la branche) sur la face inférieure de la branche, à proximité de la branche principale ou du tronc.
2. Effectuez une deuxième coupe de la partie supérieure de la branche, vers l'extérieur de la première coupe. Continuez la coupe à travers la branche jusqu'à ce que la branche se détache de l'arbre. Apprêtez-vous à équilibrer le poids de l'outil lorsque la branche tombe.
3. Procédez à une dernière coupe près du tronc.





**AVIS :** Pour la deuxième et la dernière coupes (à partir du haut de la branche ou du tronc), tenez les griffes contre le membre à couper (Fig. 7). Cela aidera à stabiliser la branche et la rendra plus facile à couper. Laissez la chaîne effectuer la coupe pour vous; n'exercez qu'une légère pression vers le bas. Si vous forcez la coupe, cela peut entraîner des dommages à la tige, la chaîne ou au moteur.

4. Relâchez la gâchette de la tête d'alimentation aussitôt que la coupe est terminée.

**AVIS :** Le non-respect des procédures de coupe se traduira par l'enrayage de la chaîne et du guide-chaîne, qui seront pincés ou bloqués dans la branche. Si cela se produit :

1. Arrêtez le moteur et enlevez le bloc-pile.
2. Si vous pouvez atteindre la branche à partir du sol, soulevez-la tout en manipulant la scie. Cela devrait « décoincer » et libérer la scie.
3. Si la scie est toujours bloquée, consultez un professionnel pour obtenir de l'aide.

## ÉBRANCHAGE ET ÉLAGAGE

Cette scie à rallonge amovible est conçue pour couper de petites branches jusqu'à 20 cm de diamètre. Pour de meilleurs résultats, observez les précautions suivantes.

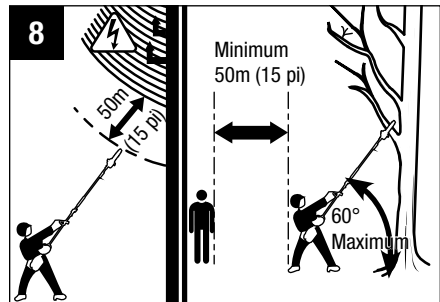
1. Aplanissez soigneusement la coupe. Soyez conscient de la direction dans laquelle la branche tombera.

**⚠ AVERTISSEMENT :** Les branches peuvent tomber dans des directions inattendues. Ne vous tenez pas directement sous la branche à couper.

2. Le type de coupe le plus répandu consiste à positionner l'appareil à un angle de 60° ou moins, en fonction de la situation spécifique, comme illustré à la Fig. 8.

La difficulté de la première coupe (à partir du dessous de la branche) augmente proportionnellement à la grandeur de l'angle au sol de la scie à rallonge.

3. Retirez les longues branches en plusieurs étapes.
4. Coupez d'abord les branches basses pour laisser plus de place pour la chute des branches supérieures.



5. Travaillez lentement, en agrippant fermement la scie à l'aide des deux mains. Maintenez bien votre équilibre.
6. Gardez l'arbre entre vous et la chaîne pour l'ébranchage. Coupez du côté de l'arbre situé en face de la branche à couper.
7. Ne travaillez jamais sur une échelle; cela est extrêmement dangereux. Laissez ces opérations aux professionnels.
8. N'effectuez pas la coupe à ras du tronc à proximité de la branche principale ou du tronc jusqu'à ce que vous ayez coupé une grande partie de la branche pour en réduire le poids. Le respect des procédures de coupe appropriées permettra d'éviter d'endommager l'écorce de la branche principale.
9. N'utilisez pas la scie à rallonge pour l'abattage ou le tronçonnage.
10. Pour éviter l'électrocution, n'utilisez pas cet équipement à moins de 15 m (50 pi) des lignes électriques aériennes (Fig. 8).
11. Maintenez toute personne à une distance minimale de 15 m (Fig. 8).

## ENTRETIEN

**⚠ AVERTISSEMENT :** Lorsque vous procédez à l'entretien, utilisez uniquement des pièces de remplacement identiques à celles d'origine. L'utilisation de toute autre pièce peut constituer un danger ou endommager le produit. Pour garantir une utilisation sécuritaire du produit et sa fiabilité, toutes les réparations doivent être effectuées par un technicien qualifié.

**⚠ AVERTISSEMENT :** Les outils munis d'un bloc-pile n'ont pas besoin d'être branchés sur une prise de courant. Par conséquent, ils sont toujours prêts à l'emploi. Pour prévenir des blessures graves, prenez des précautions particulières lorsque vous effectuez l'entretien ou des réparations, ou lorsque vous remplacez le dispositif de coupe ou d'autres pièces.

**⚠ AVERTISSEMENT :** Pour prévenir les blessures graves, retirez le bloc-pile de la tête d'alimentation avant d'en effectuer l'entretien, de le nettoyer, de remplacer des accessoires ou lorsque le produit n'est pas utilisé.

### ENTRETIEN GÉNÉRAL

Évitez d'utiliser des solvants sur les pièces en plastique. La plupart des plastiques sont susceptibles d'être endommagés par divers types de solvants commerciaux. Utilisez un linge propre pour enlever la saleté, la poussière, l'huile, la graisse, etc.

**⚠ AVERTISSEMENT :** Ne laissez-en aucun temps du liquide pour freins, de l'essence, des produits à base de pétrole, des huiles dégrippantes et autres produits de ce genre entrer en contact avec les pièces en plastique. Les produits chimiques peuvent endommager, affaiblir ou détruire le plastique et engendrer ainsi des risques de blessures graves.

**⚠ AVERTISSEMENT :** Lors du nettoyage de la scie à rallonge amovible, NE l'immergez PAS dans l'eau ou dans un autre liquide.

### NETTOYAGE

- Après chaque utilisation, retirez le bloc-pile et nettoyez les débris présents dans la chaîne et le guide-chaîne à l'aide d'une brosse douce. Essuyez la surface de la scie à rallonge au moyen d'un linge propre et d'une solution de savon doux.
- Enlevez le couvercle du pignon d'entraînement, puis utilisez une brosse douce afin de retirer les débris du guide-chaîne, de la chaîne, du pignon d'entraînement et du couvercle du pignon d'entraînement.

- Lors du remplacement de la chaîne de la scie, retirez toujours les copeaux de bois, le bran de scie et la saleté de la rainure du guide-chaîne.

Les tâches d'entretien devraient être effectuées par des réparateurs qualifiés de scies à rallonge, à l'exception des tâches qui se retrouvent dans ces instructions d'entretien.

## REEMPLACER LE GUIDE-CHAÎNE ET LA CHAÎNE

**⚠ AVERTISSEMENT :** Avant d'effectuer l'entretien, assurez-vous que le bloc-pile est retiré. Le non-respect de cet avertissement peut occasionner des blessures graves.

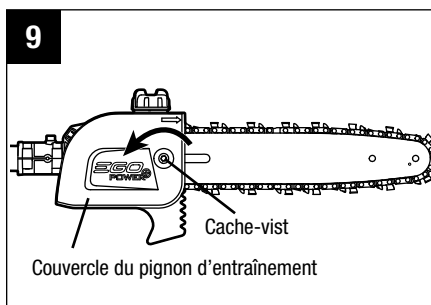
**⚠ AVERTISSEMENT :** Portez toujours des gants lorsque vous manipulez le guide-chaîne et la chaîne, étant donné que ces composants sont tranchants et peuvent comprendre des bavures.

**⚠ AVERTISSEMENT :** Ne touchez ni n'ajustez jamais la chaîne pendant que le moteur tourne. La chaîne de la scie est très tranchante; portez toujours des gants de protection lorsque vous en effectuez l'entretien.

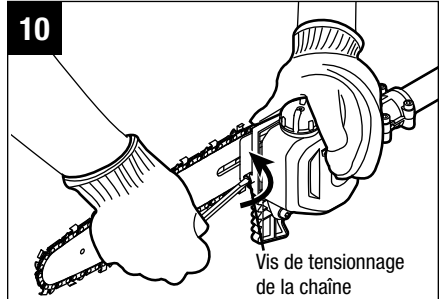
**AVIS :** Lors du remplacement du guide-chaîne et de la chaîne, utilisez toujours la combinaison indiquée dans la section « **Guide-chaîne et chaîne recommandés pour cette scie à rallonge** ».

## Démontage du guide-chaîne et de la chaîne usés

1. Retirez le bloc-pile, laissez la scie à rallonge refroidir et serrez le capuchon du réservoir d'huile.
2. Placez la scie à rallonge amovible sur le côté sur une surface solide et plane, de façon que le couvercle du pignon d'entraînement soit vers le haut (Fig. 9).
3. Portez des gants. En utilisant la clé à double tête fournie, desserrez l'assemblage du couvercle et retirez-le du couvercle du pignon d'entraînement.
4. Retirez le couvercle du pignon d'entraînement de la scie à rallonge amovible. Utilisez un linge sec pour nettoyer le couvercle du pignon d'entraînement.
5. Retirez la chaîne et le guide-chaîne à partir de la surface de montage. Retirez la chaîne usée de la chaîne.



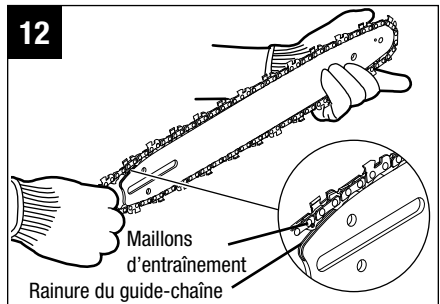
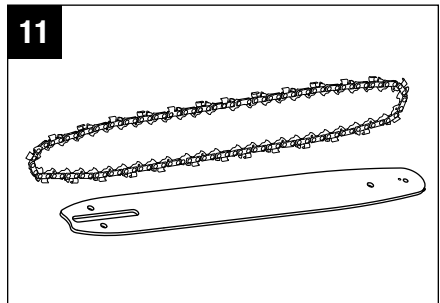
**AVIS :** Si vous avez des difficultés à retirer la chaîne et le guide-chaîne à partir de la surface de montage, placez la scie à rallonge en position verticale, une main soutenant le guide-chaîne, et l'autre desserrant la vis de tensionnage de la chaîne dans le sens contraire des aiguilles d'une montre (Fig. 10). Retirez ensuite la chaîne et le guide-chaîne.



**AVIS:** Le moment est bien choisi pour vérifier l'absence d'usure ou de dommages excessifs sur le pignon d'entraînement.

### Assemblage du nouveau guide-chaîne et de la nouvelle chaîne

1. Faites une boucle sur une surface plane avec la nouvelle chaîne en redressant tout pli (Fig. 11).
2. Insérez les maillons d'entraînement dans la rainure du guide-chaîne. Positionnez la chaîne de la scie de façon qu'une boucle se forme à l'arrière du guide-chaîne (Fig. 12).
3. Tenez la chaîne en place sur le guide-chaîne et entourez le pignon d'entraînement de la scie à rallonge avec la boucle.



**AVIS :** De petites flèches sont gravées dans la chaîne de la scie. Une autre flèche figure sur l'outil (Fig. 13a). Quand vous entourez le pignon d'entraînement avec la chaîne de la scie, assurez-vous que les flèches de la chaîne et celle de l'outil pointent dans la même direction. Si elles pointent dans des directions opposées, retournez l'assemblage de la chaîne de la scie et du guide-chaîne (Fig. 13b.)

- Placez le guide-chaîne sur la surface de montage en glissant le goujon d'alignement dans la surface bombée d'alignement, et assurez-vous que la tige d'ajustement de la tension est insérée dans le trou du bas de la base du guide-chaîne (Fig. 13a).

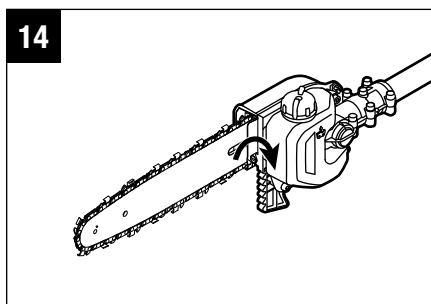
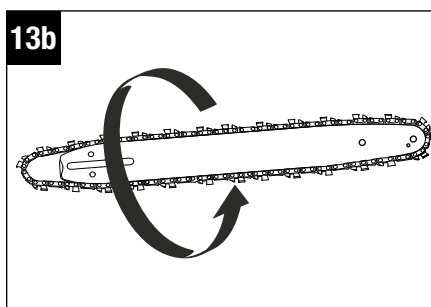
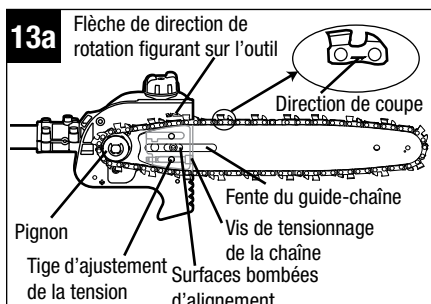
**AVIS :** S'il est difficile d'insérer la tige de réglage de tension dans le trou, réglez la vis de tensionnage de la chaîne correctement jusqu'à ce que la tige de réglage de tension se trouve exactement dans le trou.

- Remplacez le couvercle du pignon d'entraînement, insérez l'ensemble cache-vis à travers l'orifice de montage, puis serrez légèrement le couvercle du pignon d'entraînement en tournant dans le sens horaire. Le guide-chaîne doit pouvoir bouger pour que vous puissiez tensionner la chaîne.

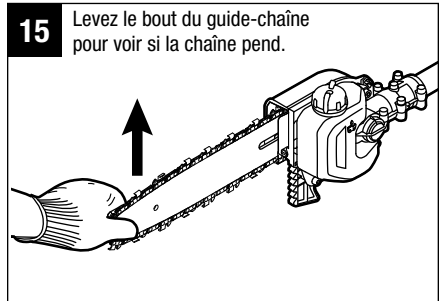
**ATTENTION :** La chaîne de scie doit être correctement tensionnée avant l'utilisation.

**AVIS :** Pour augmenter la durée de vie du guide-chaîne, retournez-le occasionnellement.

- Enlevez le jeu de la chaîne en tournant la vis de tensionnage de la chaîne dans le sens des aiguilles d'une montre jusqu'à ce que la chaîne soit serrée sur le guide-chaîne, les dents de ses maillons d'entraînement étant insérées dans la rainure du guide-chaîne (Fig. 14).



7. Levez le bout du guide-chaîne pour voir si la chaîne pend (Fig. 15). Si c'est le cas, lâchez le bout du guide-chaîne et tournez une fois la vis de tensionnage dans le sens des aiguilles d'une montre. Répétez l'opération jusqu'à ce que la chaîne ne pende plus.



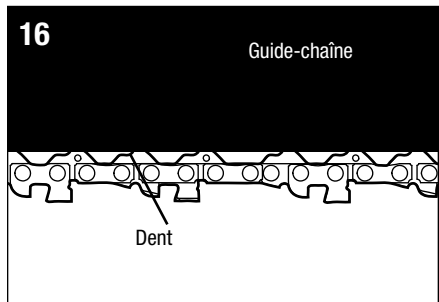
8. Gardez le bout du guide-chaîne dans les airs et serrez bien la vis de tensionnage. La chaîne est correctement tensionnée quand elle ne pende pas sous le guide-chaîne et qu'elle est serrée, mais qu'elle peut être tournée à la main sans coincer.

**AVIS :** Si la chaîne est trop serrée, elle ne tournera pas. Desserrez légèrement la vis de tensionnage du couvercle du pignon d'entraînement d'un quart de tour dans le sens contraire des aiguilles d'une montre. Soulevez le bout du guide-chaîne et serrez à nouveau la vis de tensionnage du pignon. Assurez-vous que la chaîne tourne sans coincer.

## RÉGLER LA TENSION DE LA CHAÎNE

1. Arrêtez le moteur et retirez le bloc-pile avant de régler la tension de la chaîne.
2. Desserrez la vis du couvercle jusqu'à ce que vous puissiez la serrer à la main.
3. Tournez une fois la vis de tensionnage dans le sens des aiguilles d'une montre pour tensionner la chaîne. Consultez la section « **REPLACER LE GUIDE-CHAÎNE ET LA CHAÎNE** » ci-dessus dans le présent guide d'utilisation pour obtenir plus de renseignements.

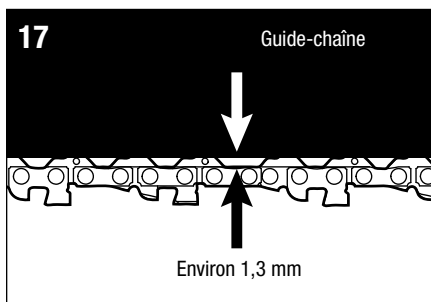
- Une chaîne froide est correctement tensionnée quand elle ne pend pas sous le guide-chaîne et qu'elle est serrée, mais qu'elle peut être tournée à la main sans coincer. La chaîne doit être tensionnée de nouveau quand la dent des maillons d'entraînement ne disparaît pas complètement dans la rainure, comme indiqué à la Fig. 16.



- La température de la chaîne augmentera dans le cadre de l'utilisation normale de la scie à chaîne. Les maillons d'entraînement d'une chaîne réchauffée bien tensionnée pendent d'environ 1,3 mm hors de la rainure du guide-chaîne (Fig. 17).

**AVIS :** Les chaînes neuves tendent à s'étirer; vérifiez fréquemment la tension de la chaîne et la tension au besoin.

**AVIS :** Une chaîne tensionnée à chaud pourrait être trop serrée à son refroidissement. Avant de la réutiliser, vérifiez sa tension à froid.



## ENTRETIEN DE LA CHAÎNE

**⚠ AVERTISSEMENT :** Pour éviter des blessures graves, retirez le bloc-pile avant de procéder à l'entretien de la scie à chaîne.

**⚠ AVERTISSEMENT :** Portez toujours des gants lorsque vous manipulez la chaîne de la scie, étant donné que ces composants sont tranchants et peuvent comprendre des bavures.

N'utilisez que des chaînes à faible rebond avec cette scie. Une telle chaîne à coupe rapide offrira une réduction du rebond si elle est bien entretenue.

Une chaîne bien affûtée coupe le bois sans effort, même si vous exercez une pression minimale.

N'utilisez jamais une chaîne émoussée ni endommagée. Une gouge émoussée entraîne une augmentation de l'effort physique demandé et de la vibration, des résultats de découpe insatisfaisants et une usure accrue.

Pour assurer une découpe rapide et en douceur, la chaîne doit être correctement entretenue. Vous devez affûter la chaîne lorsque les copeaux de bois provenant de la coupe sont petits et poudreux, que vous devez exercer une pression accrue sur la scie pendant la découpe ou que la chaîne ne coupe que d'un côté. Lors de l'entretien de la chaîne, tenez compte des éléments suivants :

- Un angle d'affûtage incorrect de la plaque latérale peut accroître le risque de rebond important.



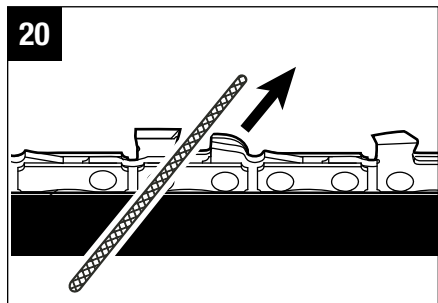
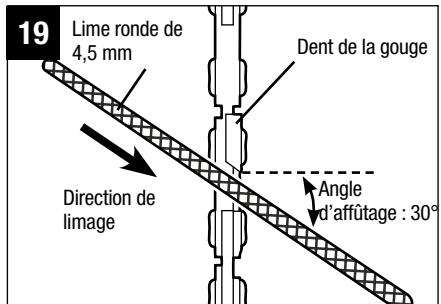
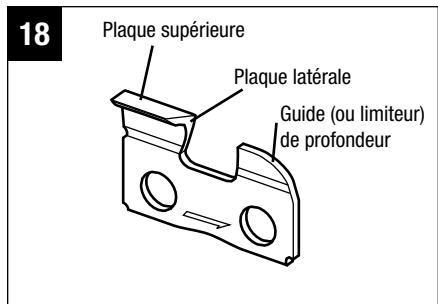
- Réglage du guide (ou limiteur) de profondeur. Un réglage trop profond accroît le risque de rebond. Une profondeur insuffisante réduit l'efficacité de coupe.
- Si les dents de la gouge ont heurté des objets durs, comme des clous ou des pierres, ou ont été abrasées par de la boue ou du sable se trouvant sur le bois, faites affûter la chaîne par un technicien qualifié.

**AVIS :** Lors du remplacement de la chaîne, vérifiez l'absence d'usure ou de dommages excessifs sur le pignon d'entraînement. S'il présente des signes d'usure ou d'endommagement, faites-le remplacer par un technicien qualifié.

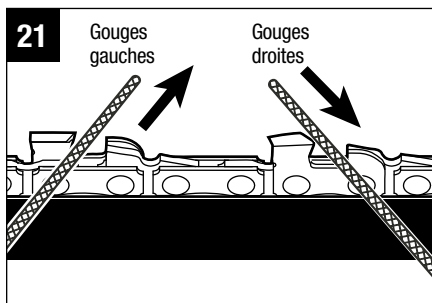
## Comment affûter les gouges

Veillez à limer toutes les gouges (Fig. 18) aux angles spécifiés et à la même longueur, car des gouges uniformes sont nécessaires à une coupe rapide.

1. Retirez le bloc-pile. Portez des gants de protection.
2. Tensionnez correctement la chaîne avant de procéder à l'affûtage. Consultez la section « **RÉGLER LA TENSION DE LA CHAÎNE** » ci-dessus dans le présent guide d'utilisation.
3. Utilisez une lime ronde et un support de 4,5 mm de diamètre (disponibles séparément). Tout le limage doit être effectué au point central du guide-chaîne.
4. Gardez la lime de niveau avec la plaque supérieure de la dent. Ne l'inclinez pas et ne la faites pas basculer.
5. Conservez un angle d'affûtage de 30° entre la lime et la chaîne de la scie; voir les Fig. 19 et 20. Utilisez toujours un porte-lime (non inclus) pendant l'affûtage manuel. Les porte-limes sont munis d'indicateurs d'angles d'affûtage.



6. Exercez une pression légère, mais ferme, puis limez en direction du coin avant de la dent. Soulevez la lime du métal après chaque retour.
7. Effectuez quelques passes fermes sur chaque dent. Limez toutes les gouges de gauche dans un sens. Ensuite, passez de l'autre côté et limez toutes les gouges de droite dans l'autre sens. De temps à autre, éliminez la limaille de la lime au moyen d'une brosse métallique (Fig. 21).



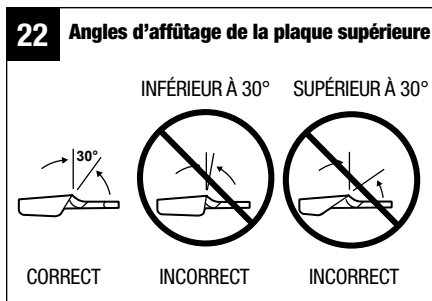
**⚠ AVERTISSEMENT :** Une chaîne émoussée ou incorrectement affûtée peut causer une vitesse excessive du moteur pendant la coupe et l'endommager gravement.

**⚠ AVERTISSEMENT :** Une chaîne incorrectement affûtée accroît le risque de rebond.

**⚠ AVERTISSEMENT :** Une chaîne endommagée non remplacée ou non réparée peut causer des blessures graves.

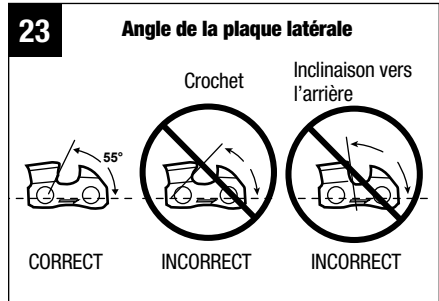
## Angles d'affûtage de la plaque supérieure (Fig. 22).

- ANGLE CORRECT DE 30° – on n'obtient cet angle optimal que si l'on utilise les limes et les réglages indiqués. Les porte-limes sont munis d'indicateurs servant à aligner la lime correctement, de façon à produire le bon angle d'affûtage de la plaque supérieure.
- ANGLE INFÉRIEUR À 30° – la dent est trop émoussée pour effectuer une coupe.
- ANGLE SUPÉRIEUR À 30° – la lame de la dent est amincie et s'émousse rapidement.



## Angle d'affûtage de la plaque latérale (Fig. 23).

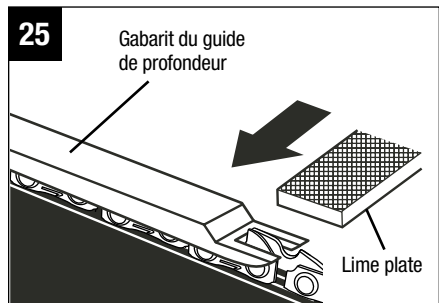
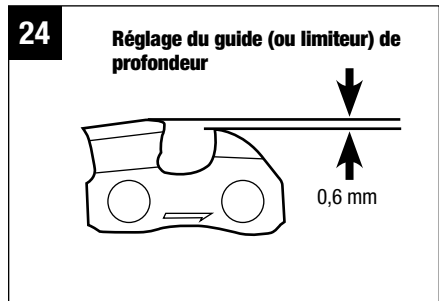
- **ANGLE CORRECT DE 55°** – On obtient cet angle optimal automatiquement si la lime circulaire de la bonne dimension est utilisée dans le porte-lime.
- **CROCHET** – « S'accroche » et s'émousse rapidement. Accroît le risque de REBOND. Un crochet est causé par une lime trop petite ou tenue trop bas.
- **INCLINAISON VERS L'ARRIÈRE** – Requiert trop de pression d'alimentation et use excessivement le guide-chaîne et la chaîne. Un crochet est causé par une lime trop petite ou tenue trop bas.



## Réglage du guide (ou limiteur) de profondeur

1. La jauge de profondeur doit être maintenue à un dégagement de 0,6 mm, comme indiqué à la Fig. 24. Utilisez un outil de guide de profondeur (disponible séparément) pour vérifier les dégagements de jauge de profondeur.
2. Chaque fois que vous limez la chaîne, vérifiez l'épaisseur du copeau.

Utilisez une lime plate et un gabarit (non inclus) pour abaisser tous les guides de façon uniforme (Fig. 25). Les gabarits sont disponibles de 0,5 mm à 0,9 mm. Utilisez un gabarit de 0,6 mm.



Utilisez la lime plate pour ajuster les guides de profondeur dans la même direction vers laquelle la gouge adjacente a été limée avec la lime ronde. Prenez soin de ne pas toucher le devant de la gouge avec la lime plate lorsque vous ajustez les guides de profondeur.

## ENTRETIEN DU GUIDE-CHAÎNE

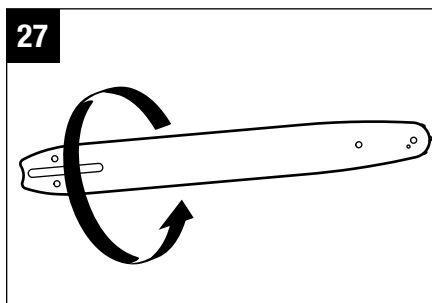
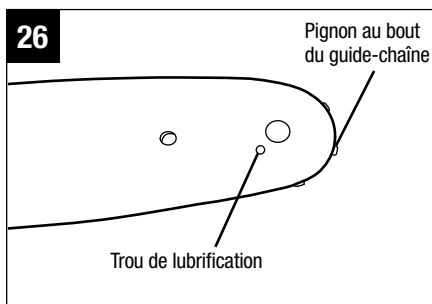
Lorsque le guide-chaîne présente des signes d'usure, retournez-le sur la scie afin de répartir son usure et d'optimiser sa durée de vie. Vous devez le nettoyer après chaque jour d'utilisation et vérifier l'absence d'usure ou de dommages. L'amincissement ou l'apparition de bavures sur les parois de la rainure du guide-chaîne est un processus d'usure normal. De tels défauts doivent être limés dès leur apparition. Un guide-chaîne avec n'importe lequel des défauts suivants doit être remplacé.

- Usure de l'intérieur des parois de la rainure du guide-chaîne, qui permet à la chaîne de se coucher sur le côté.
- Guide-chaîne tordu.
- Parois de la rainure fendues ou brisées.
- Parois de la rainure écartées.

En outre, le bout du guide-chaîne est muni d'un pignon. Ce dernier doit être lubrifié hebdomadairement à l'aide d'une seringue à graisse afin de prolonger la vie utile du guide-chaîne. Au moyen de la seringue, injectez l'huile de la chaîne dans le trou de lubrification, une fois par semaine (Fig. 26). Retournez le guide et assurez-vous que les trous de lubrification et la rainure de la chaîne sont propres.

### Retourner le guide-chaîne

1. Retirez le guide-chaîne et la scie à rallonge en consultant la section « **REEMPLACER LE GUIDE-CHAÎNE ET LA CHAÎNE** ».
2. Retirez la chaîne du guide-chaîne, puis retournez le guide-chaîne (Fig. 27). Le dessous du guide sera ainsi au-dessus.
3. Remplacez la chaîne sur le guide.
4. Réassemblez la barre de guidage et la chaîne sur la scie à rallonge et ajustez la tension de la chaîne en suivant les sections « **REEMPLACER LE GUIDE-CHAÎNE ET LA CHAÎNE** » et « **RÉGLER LA TENSION DE LA CHAÎNE** ».



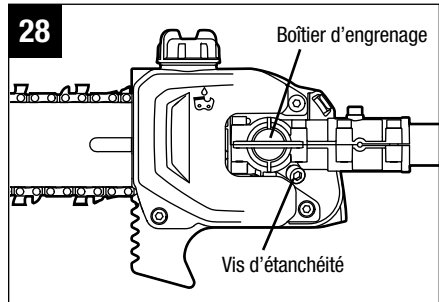
## LUBRIFICATION DES ENGRENAGES DE TRANSMISSION

Les engrenages à transmission dans le boîtier d'engrenage doivent être lubrifiés périodiquement avec de la graisse d'engrenage. Vérifiez le niveau de graisse dans le boîtier d'engrenage toutes les 50 heures de fonctionnement en retirant les vis d'étanchéité sur le côté du boîtier.

Si aucune graisse ne peut être vue sur les côtés de l'engrenage, suivez les étapes ci-dessous afin de remplir le boîtier de graisse d'engrenage au 3/4 de sa capacité.

Ne remplissez pas complètement le boîtier d'engrenage à transmission.

1. Placez la scie à rallonge amovible sur son couvercle du pignon d'entraînement sur une surface solide et plane, afin que la vis d'étanchéité soit orientée vers le haut (Fig. 28).
2. Utilisez la clé à double tête fournie pour desserrer et retirer la vis d'injection.
3. Utilisez une seringue contenant de la graisse (non incluse) pour injecter de la graisse dans le trou de la vis, en vous assurant de ne pas dépasser le 3/4 de la capacité du boîtier
4. Serrez la vis d'étanchéité après l'injection.



## TRANSPORT ET ENTREPOSAGE

1. Ne transportez ou ne remisez jamais la scie à rallonge lorsque le moteur tourne. Retirez toujours le bloc-pile lorsque vous l'entrezposez ou la transportez.
2. Placez systématiquement la gaine sur le guide-chaîne et la chaîne avant de ranger ou de transporter la scie à rallonge amovible. Soyez prudent et évitez les dents tranchantes de la chaîne.
3. Nettoyez complètement la scie à rallonge avant de la ranger. Entrezposez la scie à rallonge à l'intérieur, dans un endroit sec fermé à clé ou auquel les enfants n'ont pas accès.
4. Rangez-la à l'écart des agents corrosifs, comme des produits chimiques de jardinage ou des sels de déglacage.

# DÉPANNAGE

PROBLÈME	CAUSE	SOLUTION
Le moteur ne tourne pas.	<ul style="list-style-type: none"> <li>■ Le bloc-pile n'est pas installé sur la scie à rallonge.</li> <li>■ Il n'y a aucun contact électrique entre la scie à chaîne et le bloc-pile.</li> <li>■ Le bloc-pile est déchargé.</li> <li>■ Le bouton de blocage n'est pas actionné avant que la gâchette ne soit activée.</li> <li>■ Le bloc-pile ou la tête d'alimentation est trop chaud(e).</li> <li>■ La scie à rallonge est coincée dans l'arbre.</li> <li>■ Il y a des débris dans la rainure du guide-chaîne.</li> <li>■ Il y a des débris dans le couvercle du pignon d'entraînement.</li> </ul>	<ul style="list-style-type: none"> <li>■ Installez le bloc-pile sur la scie à rallonge.</li> <li>■ Retirez le bloc-pile, vérifiez les contacts électriques et réinstallez le bloc-pile.</li> <li>■ Chargez le bloc-pile.</li> <li>■ Pour mettre en marche la scie à rallonge, maintenez le levier de blocage enfoncé lorsque vous appuyez sur la gâchette.</li> <li>■ Laissez le bloc-pile ou la tête d'alimentation refroidir jusqu'à une température inférieure à 67 °C.</li> <li>■ Relâchez la gâchette; retirez la chaîne et la barre de guidage de l'arbre, puis redémarrez la scie à rallonge.</li> <li>■ Pressez la chaîne de scie contre l'arbre, faites bouger la scie à rallonge d'avant en arrière pour retirer les débris.</li> <li>■ Retirez le bloc-pile suivi du couvercle du pignon d'entraînement, puis enlevez les débris.</li> </ul>
Le moteur tourne, mais pas la chaîne.	<ul style="list-style-type: none"> <li>■ La chaîne n'est pas engagée dans le pignon d'entraînement.</li> </ul>	<ul style="list-style-type: none"> <li>■ Retirez le bloc-pile et réinstallez la chaîne en vous assurant que ses maillons d'entraînement reposent entièrement sur le pignon.</li> </ul>

PROBLÈME	CAUSE	SOLUTION
<p>La scie à rallonge ne coupe pas correctement.</p>	<ul style="list-style-type: none"> <li>■ La chaîne n'est pas suffisamment tendue.</li> <li>■ La chaîne est émoussée.</li> <li>■ La chaîne est installée à l'envers.</li> <li>■ La chaîne est usée.</li> <li>■ La chaîne est sèche ou excessivement étirée.</li> <li>■ La chaîne n'est pas dans la rainure du guide-chaîne.</li> </ul>	<ul style="list-style-type: none"> <li>■ Retirez le bloc-pile et réglez la tension de la chaîne en suivant les consignes de la section « <b>RÉGLER LA TENSION DE LA CHAÎNE</b> ».</li> <li>■ Affûtez les gouges de la chaîne en consultant la section « <b>COMMENT AFFÛTER LES GOUGES</b> ».</li> <li>■ Retirez le bloc-pile et réinstallez la chaîne en consultant la section « <b>REPLACER LE GUIDE-CHAÎNE ET LA CHAÎNE</b> ».</li> <li>■ Retirez le bloc-pile et réinstallez la chaîne en consultant la section « <b>REPLACER LE GUIDE-CHAÎNE ET LA CHAÎNE</b> ».</li> <li>■ Vérifiez le niveau d'huile. Remplissez le réservoir d'huile, au besoin.</li> <li>■ Retirez le bloc-pile et réinstallez la chaîne en consultant la section « <b>REPLACER LE GUIDE-CHAÎNE ET LA CHAÎNE</b> ».</li> </ul>
<p>La chaîne et le guide-chaîne sont chauds et produisent de la fumée.</p>	<ul style="list-style-type: none"> <li>■ Vérifiez que la chaîne n'est pas trop tendue.</li> <li>■ Le réservoir d'huile de la chaîne est vide.</li> <li>■ Il y a des débris dans la rainure du guide-chaîne.</li> </ul>	<ul style="list-style-type: none"> <li>■ Retirez le bloc-pile et retensionnez la chaîne en consultant la section « <b>RÉGLER LA TENSION DE LA CHAÎNE</b> ».</li> <li>■ Remplissez le réservoir de lubrifiant du guide-chaîne et de la chaîne.</li> <li>■ Nettoyez la rainure.</li> </ul>

# GARANTIE

## POLITIQUE D'EGO EN MATIÈRE DE GARANTIE

Une garantie limitée de cinq (5) ans est offerte pour l'équipement électrique d'extérieur EGO et une garantie limitée de trois (3) ans est offerte pour les chargeurs et les blocs-piles EGO Power+.

Veuillez communiquer avec le service à la clientèle d'EGO au 1 855 EGO-5656 (numéro sans frais) pour toute question sur les réclamations au titre de la garantie.

## GARANTIE LIMITÉE

À compter de la date d'achat originale, ce produit EGO est garanti **PENDANT CINQ (5) ANS** contre les défauts de matériaux et de fabrication. Les produits défectueux seront réparés gratuitement.

À compter de la date d'achat originale, le chargeur et le bloc-pile EGO Power+ sont garantis **PENDANT TROIS (3) ANS** contre les défauts de matériaux et de fabrication.

Les produits défectueux seront réparés gratuitement.

La présente garantie ne couvre pas le matériel et les pièces utilisés pour l'entretien régulier, comme la chaîne de la scie et le guide-chaîne, qui peuvent s'user dans des conditions normales d'utilisation pendant la période de garantie.

- a) Cette garantie s'applique uniquement à l'acheteur initial s'étant procuré le produit chez un détaillant EGO autorisé et est non transférable. La liste des détaillants EGO autorisés est publiée en ligne sur le site <http://egopowerplus.com/pages/warranty-policy>.
- b) La période de garantie pour toute pièce ou tout produit EGO utilisé à des fins industrielles, professionnelles ou commerciales est de un (1) an.
- c) La présente garantie n'est pas valide si le produit a été utilisé aux fins de location.
- d) La présente garantie ne couvre pas les dommages résultant d'une modification, d'une altération ou d'une réparation non autorisée.
- e) La présente garantie couvre uniquement les défauts survenant dans le cadre d'une utilisation normale et ne couvre aucun dysfonctionnement, ni aucun défaut, ni aucune défaillance découlant d'un usage inapproprié ou abusif (notamment un usage entraînant la surcharge du produit ou un usage exposant le produit à l'eau et à la pluie), d'un accident, d'une négligence ou de toute installation, de tout entretien ou de tout entreposage inadéquats.



- f) La présente garantie ne couvre pas la détérioration normale du fini extérieur, notamment les rayures, les bosselures, les craquelures de la peinture ou toute corrosion ou décoloration résultant de la chaleur, de produits abrasifs ou de nettoyants chimiques.

## **RÉCLAMATION AU TITRE DE LA GARANTIE**

Pour faire une réclamation au titre de la garantie, veuillez communiquer avec le service à la clientèle d'EGO au 1 855 EGO-5656 (numéro sans frais). Lorsque vous faites une réclamation au titre de la garantie, vous devez présenter le reçu de vente original. Un centre de service autorisé sera sélectionné pour la réparation du produit conformément aux conditions de garantie prescrites.

## **RESTRICTIONS SUPPLÉMENTAIRES**

Dans les limites prescrites par la législation locale, toutes les garanties implicites, notamment les garanties de QUALITÉ MARCHANDE ou d'ADÉQUATION POUR UN USAGE PARTICULIER, sont non valides. Toute garantie implicite, notamment les garanties de qualité marchande ou d'adéquation pour un usage particulier, qui ne peut être déclinée en vertu de la législation provinciale est limitée à cinq (5) ans à compter de la date d'achat pour l'équipement électrique d'extérieur et à trois (3) ans à compter de la date d'achat pour les chargeurs et blocs-piles.

Chervon North America n'est pas responsable des dommages accessoires, consécutifs, indirects ou directs.

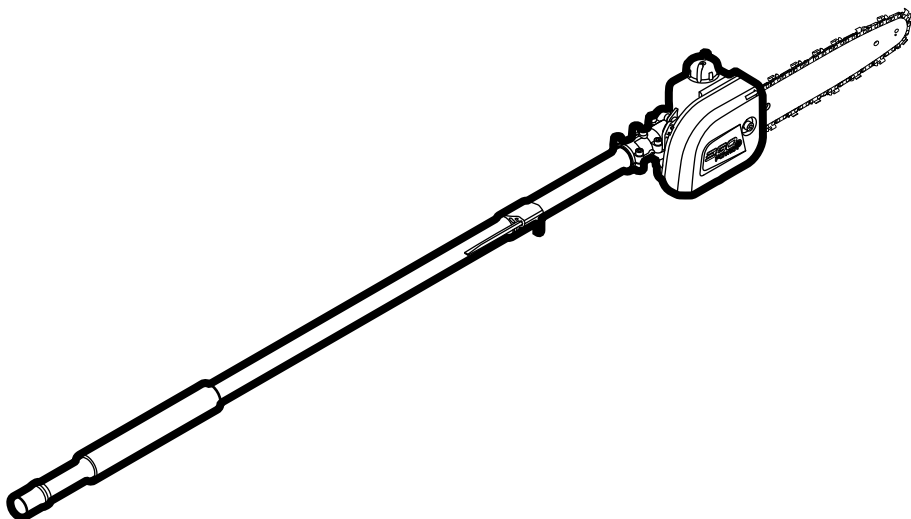
Certaines provinces et certains États n'autorisent pas les restrictions de durée de garantie implicite, ou l'exclusion ou la restriction des dommages consécutifs et accessoires; c'est pourquoi les restrictions ci-dessus peuvent ne pas s'appliquer à votre cas.

La présente garantie vous confère des droits précis. Il est possible que vous disposiez également d'autres droits, qui varient d'une province ou d'un État à l'autre.

Pour communiquer avec le service à la clientèle, veuillez composer le numéro sans frais 1 855 EGO-5656 ou consulter le site Web [EGOPOWERPLUS.COM](http://EGOPOWERPLUS.COM).

EGO Customer Service, 120 Ionia Street SW / Suite 102 Grand Rapids,  
MI 49503 États-Unis

# EGO™



EXCLUSIVAMENTE PARA USO CON EL  
CABEZAL MOTOR POWER+ PH1400

MANUAL DEL USUARIO

## ACCESORIO PARA LA SIERRA DE PÉRTIGA

MODELO NÚMERO PSA1000

**⚠ ADVERTENCIA:** Para reducir el riesgo de lesiones, el usuario debe leer y comprender el Manual del usuario antes de usar este producto. Guarde estas instrucciones para consultarlas en el futuro.

# ÍNDICE

Símbolos de seguridad .....	77
Instrucciones de seguridad .....	78-83
Introducción .....	83
Especificaciones .....	84
Lista de empaque .....	84
Descripción .....	85-87
Ensamblaje .....	87-90
Funcionamiento .....	90-95
Mantenimiento .....	96-107
Solución de problemas .....	108-109
Garantía .....	110-111

## LEA TODAS LAS INSTRUCCIONES



LEA Y COMPRENDA EL  
MANUAL DEL USUARIO

**⚠ ADVERTENCIA:** El corte con máquinas produce algunos tipos de polvo que contienen sustancias químicas que el Estado de California considera cancerígenas o causantes de defectos de nacimiento u otros daños al aparato reproductor. Algunos ejemplos de estas sustancias químicas son los siguientes:

- Plomo de pinturas a base de plomo.
- Sílice cristalina de ladrillos, cemento y otros productos de mampostería y,
- Arsénico y cromo de maderas tratadas químicamente.

El riesgo de relacionado con estas exposiciones varía según la frecuencia con la que realice este tipo de trabajo. Para reducir la exposición a estos químicos: trabaje en un lugar bien ventilado y con equipos de seguridad aprobados, como las mascarillas antipolvo que estén diseñadas especialmente para filtrar partículas microscópicas.

## SÍMBOLOS DE SEGURIDAD

El fin de los símbolos de seguridad es alertarlo sobre posibles peligros. Los símbolos de seguridad y sus explicaciones merecen una atención y comprensión minuciosas. Las advertencias de los símbolos, por sí mismas, no eliminan los peligros. Las instrucciones y las advertencias no sustituyen las medidas adecuadas de prevención de accidentes.

**⚠ ADVERTENCIA:** Asegúrese de leer y comprender todas las instrucciones de seguridad que contiene este Manual del usuario, incluidos todos los símbolos de alerta de seguridad como “**PELIGRO**”, “**ADVERTENCIA**” y “**PRECAUCIÓN**”, antes de usar esta herramienta. No seguir todas las instrucciones que se indican a continuación podría resultar en descargas eléctricas, incendios o lesiones personales graves.

### SIGNIFICADO DE LOS SÍMBOLOS

**⚠ SÍMBOLO DE ALERTA DE SEGURIDAD:** Indica **PELIGRO**, **ADVERTENCIA** O **PRECAUCIÓN**. Puede aparecer junto con otros símbolos o pictografías.



**⚠ ADVERTENCIA!** La utilización de herramientas eléctricas puede arrojar objetos extraños a los ojos y causar heridas oculares graves. Antes de comenzar a operar una herramienta eléctrica, use siempre gafas protectoras o gafas de seguridad con blindaje lateral y un protector facial si es necesario. Le recomendamos usar una máscara de seguridad de visión amplia sobre anteojos o gafas de seguridad estándar con protección lateral. Use siempre lentes de protección con la marca de cumplimiento de la norma ANSI Z87.1.

## INSTRUCCIONES DE SEGURIDAD

Esta página muestra y describe los símbolos de seguridad que pueden aparecer en este producto. Lea, comprenda y siga todas las instrucciones de la máquina antes de ensamblarla y utilizarla.

	Alerta de seguridad	Indica un peligro potencial de producir lesiones.
	Lea y comprenda el Manual del usuario	Para reducir el riesgo de lesiones, el usuario debe leer y comprender el Manual del usuario antes de usar este producto.
	Use lentes de protección	Use siempre gafas de seguridad o anteojos con protección lateral y un protector facial al operar este producto.
	Use protección para los oídos	El ruido de la podadora de pértiga puede dañar los oídos. Siempre use protección acústica (tapones para oídos u orejeras) para proteger sus oídos.
	Use protección para la cabeza	Use un casco de seguridad aprobado para protegerse la cabeza.
	Use guantes de protección	Protéjase las manos con guantes cuando manipule sierras y motosierras. Los guantes antideslizantes para trabajo pesado mejoran el agarre y protegen sus manos.
	Use calzado de protección	Use calzado de seguridad antideslizante al usar este equipo.

	<p>Manténgase alejado de las líneas eléctricas</p>	<p>Para evitar electrocutarse, no utilice este producto a menos de 50 pies (15 m) de líneas aéreas eléctricas. El contacto con las líneas eléctricas o el uso de la herramienta cerca de estas puede ocasionar lesiones graves o descargas eléctricas que provoquen la muerte.</p>
	<p>Símbolos de reciclaje</p>	<p>Este producto usa baterías de iones de litio (Li-ion). Es posible que las leyes municipales, provinciales o nacionales prohíban desechar las baterías con los residuos comunes. Consulte a la autoridad local en materia de residuos sobre las opciones de eliminación y reciclaje disponibles.</p>
<p>IPX4</p>	<p>Grado de protección de admisión</p>	<p>Protección contra salpicaduras de agua</p>
<p>V</p>	<p>Voltio</p>	<p>Voltaje</p>
<p>cm</p>	<p>Centímetro</p>	<p>Longitud o tamaño</p>
<p>pulg.</p>	<p>Pulgada</p>	<p>Longitud o tamaño</p>
<p>kg</p>	<p>Kilogramo</p>	<p>Peso</p>
<p>lb</p>	<p>Libra</p>	<p>Peso</p>
	<p>Corriente continua</p>	<p>Tipo o característica de la corriente</p>

## INSTRUCCIONES IMPORTANTES DE SEGURIDAD

**⚠ ADVERTENCIA!** Al usar aparatos eléctricos de jardinería, siempre se deben tomar medidas de seguridad básicas para reducir el riesgo de incendios, descargas eléctricas o lesiones personales, incluidas las siguientes:

## LEA TODAS LAS INSTRUCCIONES

**⚠ PELIGRO!** No use el producto cerca de líneas eléctricas. La unidad no se diseñó para proporcionar protección contra descargas eléctricas en caso de contacto con líneas eléctricas aéreas. Consulte las regulaciones locales para conocer las distancias seguras de líneas eléctricas aéreas y asegúrese de que la posición de operación sea segura antes de utilizar la podadora de pértiga de cadena.

**⚠ PRECAUCIÓN!** Use protección auditiva personal adecuada durante la operación. Bajo algunas condiciones e intervalos de uso, el ruido de este producto podría contribuir a la pérdida de la audición.

- **Evite entornos peligrosos** – no use la herramienta en lugares húmedos o mojados.
- **Mantenga a los niños alejados** - todos los visitantes deben mantenerse alejados del área de trabajo.
- **Vístase de manera adecuada** - no use ropa holgada ni joyas. Estas pueden quedar atascadas en las piezas móviles. Se recomienda usar guantes y calzado de goma si se trabaja en exteriores. Use protección para el cabello a fin de contener el cabello largo.
- **Use gafas de seguridad** - use siempre una máscara o mascarilla antipolvo si la operación produce mucho polvo.
- **Use la herramienta adecuadamente** - no use la herramienta para ninguna otra tarea que no sea la prevista.
- **No fuerce la herramienta** - esta funcionará mejor y con menos probabilidades de producir lesiones si se usa al ritmo para el cual se diseñó.
- **No se extralimite** - mantenga el punto de apoyo y el equilibrio adecuado en todo momento.
- **Manténgase alerta** - concéntrese en lo que hace. Use su sentido común. No opere el aparato si está cansado.
- **Mantenga todas las partes del cuerpo alejadas de la cadena.** No retire el material de corte ni sostenga el material a cortar cuando las cuchillas estén en movimiento. Asegúrese de que el interruptor esté apagado cuando retire materiales atascados. La cadena se sigue moviendo después de apagar el interruptor. Un momento de distracción mientras opera la podadora de pértiga puede provocar graves lesiones personales.



- **Transporte la podadora de p rtiga por la empu adura con la cadena detenida.** Al transportar o almacenar la podadora de p rtiga, siempre coloque la cubierta del dispositivo de cadena. La manipulaci n adecuada de la podadora de p rtiga reduce las posibilidades de que se produzcan lesiones personales provocadas por esta.
- **Sostenga la podadora de p rtiga solo de las superficies de agarre aisladas,** porque la cadena puede entrar en contacto con el cableado que est  oculto. Si una cadena entra en contacto con un cable energizado, pueden energizarse las piezas met licas expuestas de la podadora de p rtiga y esto puede ocasionar que el usuario se electrocute.
- **No use la podadora de p rtiga en condiciones clim ticas adversas, especialmente cuando pueda haber rayos.** Esto disminuye el riesgo de descargas de rayos.
- **Para reducir el riesgo de electrocuci n, nunca use la herramienta cerca de l neas el ctricas.** El contacto con las l neas el ctricas o el uso de la herramienta cerca de estas puede ocasionar lesiones graves o descargas el ctricas que provoquen la muerte.
- **Siempre use las dos manos al trabajar con la podadora de p rtiga.** Sost ngala con ambas manos para evitar la p rdida de control.
- **Siempre use protecci n para la cabeza al trabajar con la podadora de p rtiga por encima.** Los residuos que caigan pueden producir lesiones personales graves.
- **Almacene la herramienta en interiores** - cuando no est  en uso, la herramienta debe almacenarse en interiores, en un lugar seco y alto o bajo llave, sin el paquete de bater as y fuera del alcance de los ni os.
- **Mantenga su podadora de p rtiga** - mantenga los bordes de corte afilados y limpios para obtener mejores resultados y reducir el riesgo de lesiones. Siga las instrucciones para lubricar y cambiar los accesorios. Mantenga las empu aduras limpias, secas y libres de aceite y grasa.
- **Revise las piezas da adas** - antes de continuar con la operaci n del producto, se deben revisar con cuidado las protecciones u otras piezas da adas a fin de determinar si funcionar n correctamente y cumplir n su funci n espec fica. Compruebe que las piezas m viles est n alineadas y que no est n dobladas ni rotas, que el montaje sea el correcto y cualquier otra condici n que pueda afectar el funcionamiento de la herramienta. Las protecciones u otras piezas da adas deben repararse de manera adecuada o cambiarse en un centro de servicio autorizado, a menos que se indique lo contrario en este manual.

- **No cargue el paquete de baterías bajo la lluvia o en lugares húmedos.**
- Use la herramienta solo con los paquetes de baterías y cargadores que se mencionan a continuación:

PAQUETES DE BATERÍAS	CARGADOR
BA1120, BA1400, BA2240	CH2100
BA2800, BA4200	CH5500

- Use solo con el cabezal motor PH1400 de iones de litio de 56 V.
- **No arroje las baterías al fuego.** Las células pueden explotar. Consulte los códigos locales para conocer las posibles instrucciones de desecho especiales.
- **No abra ni rompa la batería.** Los electrolitos liberados son corrosivos y pueden causar daños en los ojos o la piel. Si se tragan pueden ser tóxicos.

**⚠ PRECAUCIÓN!** El electrolito es un ácido sulfúrico diluido que daña la piel y los ojos. Conduce la electricidad y es corrosivo.

- **Manipule las baterías con cuidado para no acortar su vida útil con materiales conductores como anillos, brazaletes y llaves.** La batería o el conductor podrían sobrecalentarse y producir quemaduras.
- **Piezas de repuesto** - al realizarle mantenimiento a la herramienta, utilice solo piezas de repuesto EGO idénticas. El uso de cualquier otro accesorio puede aumentar el riesgo de lesiones.
- **Las herramientas a batería no necesitan estar conectadas a un enchufe, por lo tanto siempre se encuentran en condiciones de funcionar.** Conozca los peligros posibles que existen aun cuando la herramienta no esté en funcionamiento. Tenga cuidado al realizarle mantenimiento o repararla.
- **Quite o desconecte el paquete de baterías antes de hacer el mantenimiento, limpiar o quitar material del producto.**
- **No lave el producto con una manguera; evite que el motor y las conexiones eléctricas se mojen.**
- **Si se presentan situaciones que no están previstas en este manual, tenga cuidado y use el sentido común. Póngase en contacto con el Centro de Servicio al Cliente de EGO para recibir ayuda.**
- **Guarde estas instrucciones.** Consúltelas con frecuencia y úselas para dar instrucciones a otras personas que puedan usar esta herramienta. Si le presta esta herramienta a alguien, préstele también estas instrucciones para evitar el mal uso del producto y posibles lesiones.

## **GUARDE ESTAS INSTRUCCIONES**

**NOTA: VEA EL MANUAL DEL USUARIO DEL CABEZAL MOTOR PARA CONOCER REGLAS ESPECÍFICAS DE SEGURIDAD ADICIONALES**

# **INTRODUCCIÓN**

Felicitaciones por haber elegido un ACCESORIO PARA LA SIERRA DE PÉRTIGA EGO. Está pensado, diseñado y fabricado para brindarle el mejor rendimiento y confiabilidad posibles.

En caso de que tuviera algún problema que no pudiera resolver fácilmente, póngase en contacto con el Centro de Servicio al Cliente de EGO al 1-855-EGO-5656.

Este manual contiene información importante para el ensamblaje, la operación y el mantenimiento seguro de su producto. Léalo atentamente antes de usar el producto. Mantenga este manual a mano para poder consultarlo en cualquier momento.

NÚMERO DE SERIE \_\_\_\_\_ FECHA DE COMPRA \_\_\_\_\_

DEBE ANOTAR EL NÚMERO DE SERIE Y LA FECHA DE COMPRA Y CONSERVARLOS EN UN LUGAR SEGURO PARA CONSULTARLOS EN EL FUTURO.

## ESPECIFICACIONES

Longitud de la espada	10 pulg. (250 mm)
Paso de la cadena	3/8 pulg. (9,5 mm)
Calibre de la cadena	0,043 pulg. (1,1 mm)
Capacidad del depósito de aceite de la cadena	7,5 oz (220 ml)
Peso	4,17 lb (1,89 kg)

## LISTA DE EMPAQUE

NOMBRE DE LA PIEZA	CANTIDAD
Accesorio para la sierra de pértiga	1
Funda de la cadena	1
Llave de dos cabezas	1
Manual del usuario	1

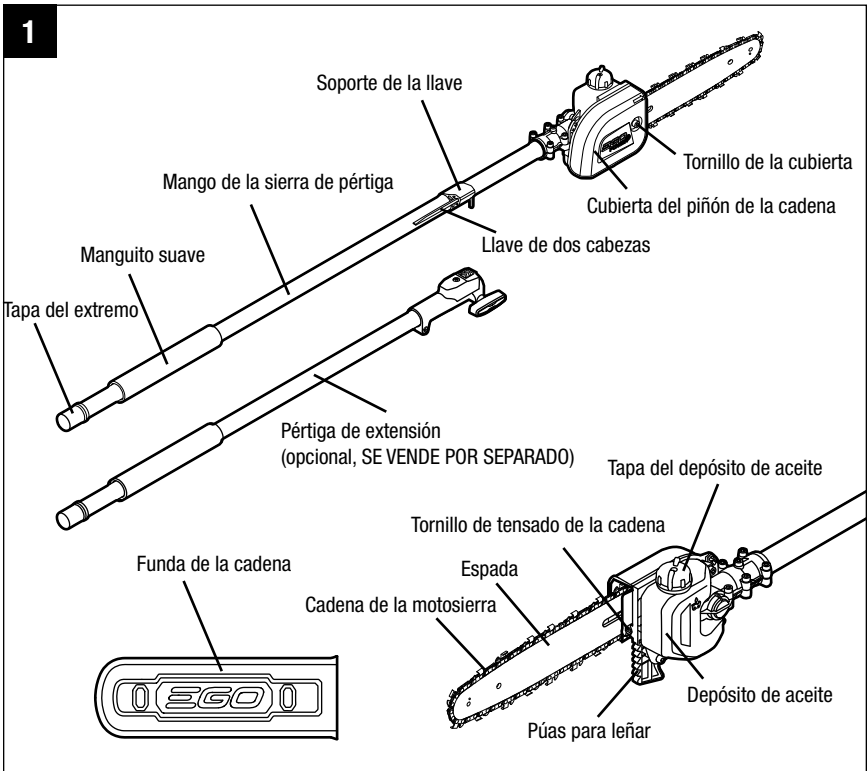
### Espada y cadena recomendadas para esta sierra de pértiga

NOMBRE DE LA PIEZA	TIPO	NÚMERO DE MODELO
Espada	104MLEA041 (Oregon)	AG1000
Cadena de la motosierra	90PX040X (Oregon)	AC1000

# DESCRIPCIÓN

## CONOZCA SU ACCESORIO PARA LA SIERRA DE PÉRTIGA (Fig. 1)

El uso seguro de este producto requiere que se comprenda la información que figura en la herramienta y en este manual del usuario, además del conocimiento del proyecto que desea llevar a cabo. Antes de usar este producto, familiarícese con todas las características operativas y reglas de seguridad.



## **TAPA DEL EXTREMO**

Evita que los residuos caigan dentro del mango del accesorio.

## **MANGUITO SUAVE**

Permite tener un agarre firme de la sierra de pértiga.

## **SOPORTE DE LA LLAVE**

Almacena la llave de dos cabezas suministrada.

## **LLAVE DE DOS CABEZAS**

Bloquea y desbloquea el perno de cabeza hexagonal y el tornillo de cabeza plana.

## **ESPADA**

Sostiene y guía la cadena.

## **CADENA DE LA MOTOSIERRA**

Cadena circular con dientes filosos que corta la madera al circular alrededor de la espada impulsada por el cabezal motor.

## **FUNDA DE LA CADENA**

La funda de la cadena evita que el usuario entre en contacto con los filos cortantes de la cadena cuando la herramienta no se está utilizando. También evita que los filos de la cadena se mellen o dañen cuando se transporta la herramienta o cuando está almacenada.

## **CUBIERTA DEL PIÑÓN DE LA CADENA**

Cubre el piñón de la cadena y asegura la espada.

## **TORNILLO DE LA CUBIERTA**

TORNILLO DE LA CUBIERTA

## DEPÓSITO DE ACEITE

Almacena el lubricante de la cadena de la motosierra y permite que el usuario sepa cuándo debe agregar lubricante a través de la carcasa semitransparente del depósito.

## TAPA DEL DEPÓSITO DE ACEITE

Mantiene sellado el depósito de aceite.

## TORNILLO DE TENSADO DE LA CADENA

Se lo utiliza para tensar o soltar la cadena de la motosierra.

## PÚAS PARA LEÑAR

Diente o dientes con punta que se usan al talar un árbol o leñar para hacer pivotar la motosierra y mantener la posición al cortar.

# ENSAMBLAJE

**⚠ ADVERTENCIA:** Si faltan piezas o estas están dañadas, no opere este producto hasta reemplazar dichas piezas. El uso de este producto con piezas dañadas o faltantes podría provocar lesiones graves.

**⚠ ADVERTENCIA:** No intente modificar este producto ni crear accesorios que no estén recomendados para usar con esta sierra de pértiga. Cualquier alteración o modificación de ese tipo representa mal uso y puede generar condiciones peligrosas que causen posibles lesiones personales graves.

## DESEMBALAJE

- Este producto requiere ensamblaje.
- Retire con cuidado el producto y cualquier accesorio de la caja. Asegúrese de que todos los elementos que aparecen en la lista de empaque estén incluidos.
- Inspeccione la herramienta atentamente para asegurarse de que no se hayan producido roturas ni daños durante el envío.
- No deseche el embalaje hasta que no haya inspeccionado cuidadosamente la herramienta y sepa que funciona correctamente.

- Si hay alguna pieza dañada o faltante, devuelva el producto al lugar donde lo compró.

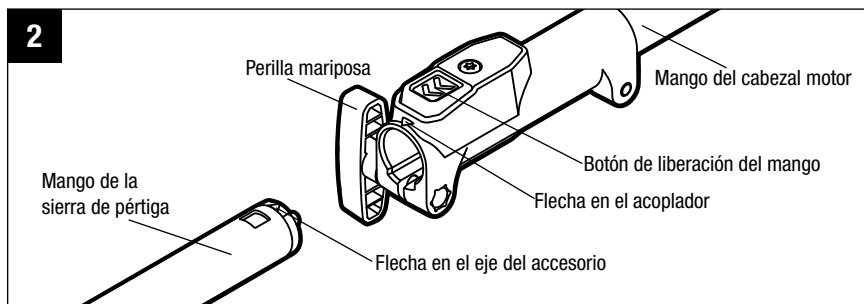
## CÓMO CONECTAR EL ACCESORIO DE LA SIERRA DE PÉRTIGA AL CABEZAL MOTOR

**⚠ ADVERTENCIA:** Nunca fije ni ajuste ningún acoplamiento mientras está en funcionamiento el cabezal motor o con la batería instalada. El no detener el motor y retirar la batería puede causar lesiones personales graves.

Este accesorio para la sierra de pértiga está diseñado para usarse con el cabezal motor EGO PH1400.

El accesorio para la sierra de pértiga se conecta al cabezal motor mediante un dispositivo acoplador.

1. Detenga el motor y retire el paquete de baterías.
2. Afloje la perilla mariposa.
3. Retire la tapa del extremo del accesorio para la sierra de pértiga. Alinee la flecha en el mango de la sierra de pértiga con la flecha en el acoplador y empuje el mango de la sierra de pértiga en el acoplador hasta escuchar un sonido de “clic” claro que indica que el mango de la sierra de pértiga está instalado en su lugar (Fig. 2).
4. Extraiga el mango del accesorio para verificar que esté firmemente asegurado en el acoplador. De no ser así, rote el mango de la sierra de pértiga de un lado a otro en el acoplador hasta que encaje en su lugar.
5. Apriete firmemente la perilla mariposa.





**⚠ ADVERTENCIA:** Asegúrese de que la perilla mariposa esté bien apretada antes de operar el equipo; inspecciónela periódicamente para comprobar que está ajustada durante el uso para evitar lesiones personales graves.

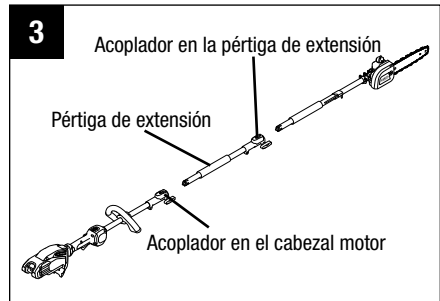
## CÓMO CONECTAR LA PÉRTIGA DE EXTENSIÓN EP7500 ENTRE EL CABEZAL MOTOR Y EL ACCESORIO DE LA SIERRA DE PÉRTIGA (Disponible por separado)

**⚠ ADVERTENCIA:** Nunca fije ni ajuste ningún acoplamiento mientras está en funcionamiento el cabezal motor o con la batería instalada. El no detener el motor y retirar la batería puede causar lesiones personales graves.

Esta pértiga de extensión está diseñada para usarse exclusivamente con el cabezal motor EGO PH1400 y el accesorio de la sierra de pértiga PSA1000. Nunca la use con otros accesorios de GEO.

La pértiga de extensión amplía el rango de corte. Se la debe conectar entre el accesorio de la sierra de pértiga y el cabezal motor.

Siga el proceso de la sección "CÓMO CONECTAR EL ACCESORIO DE LA SIERRA DE PÉRTIGA AL CABEZAL MOTOR" para instalar la pértiga de extensión entre el accesorio de la sierra de pértiga y el cabezal motor (Fig. 3).



**AVISO:** Luego de que los ensambló correctamente, el accesorio de la sierra de pértiga, la pértiga de extensión y el cabezal motor no deberían separarse cuando tira de ellos. Siempre verifique la conexión al tirar de ellos. Si las piezas se separan, repita los pasos anteriores.

**⚠ ADVERTENCIA:** Si no asegura el accesorio y el cabezal motor o la pértiga de extensión como se indica anteriormente, se pueden producir lesiones graves o mortales.

## CÓMO RETIRAR EL ACCESORIO DEL CABEZAL MOTOR

1. Detenga el motor y retire el paquete de baterías.
2. Afloje la perilla mariposa.

3. Presione el botón para liberar el mango y, luego de soltar el botón, jale o gire el mango de la sierra de pértiga fuera del acoplador para separarlo del cabezal motor o de la pértiga de extensión (si la utilizó).
4. Repita el proceso para separar la pértiga de extensión del cabezal motor (si utilizó la pértiga de extensión).

## FUNCIONAMIENTO

**⚠ PELIGRO:** Nunca corte cerca de líneas eléctricas, cables eléctricos o demás fuentes eléctricas. Si la espada y la cadena se atascan en algún cable o línea, **NO TOQUE LA ESPADA, LA CADENA NI LA PÉRTIGA DE ALUMINIO. PUEDEN ELECTRIFICARSE Y SER MUY PELIGROSAS.** Continúe sosteniendo la sierra de pértiga de la empuñadura aislante posterior y aléjela de usted de manera segura. Desconecte el servicio eléctrico que va hacia la línea o el cable dañado antes de intentar liberar la espada y la cadena de la línea o el cable. El contacto con la espada, la cadena, demás piezas conductivas de la sierra de pértiga o cables o líneas electrificadas provocarán muerte por electrocución o lesiones graves.

**⚠ ADVERTENCIA:** No permita que familiarizarse con este producto lo vuelva imprudente. Recuerde que un descuido de una fracción de segundo es suficiente para ocasionar lesiones graves.

**⚠ ADVERTENCIA:** Use siempre gafas protectoras o gafas de seguridad con blindaje lateral con marcas que indiquen que cumplen con la norma ANSI Z87.1. De lo contrario, podría provocar que se disparen objetos hacia sus ojos y otras posibles lesiones graves.

**⚠ ADVERTENCIA:** No use ningún aditamento ni accesorio que no haya sido recomendado por el fabricante de este producto, ya que esto podría provocar lesiones graves.

Antes de cada uso, inspeccione todo el producto en busca de piezas dañadas, faltantes o sueltas, como tornillos, tuercas, pernos, tapas, etc. Apriete bien todos los sujetadores y tapas, y no opere este producto hasta que se hayan reemplazado todas las piezas faltantes o dañadas.

## APLICACIONES

Puede usar este producto para los fines que se indican a continuación:

- Desramar
- Podar

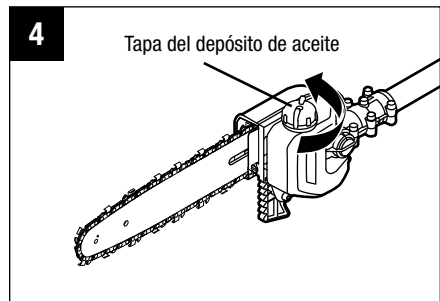
## CÓMO LLENAR EL DEPÓSITO DE ACEITE CON EL LUBRICANTE DE LA ESPADA Y LA CADENA

**⚠ ADVERTENCIA:** Para evitar el arranque accidental, que podría provocar lesiones graves, retire siempre el paquete de baterías de la herramienta antes de llenar el tanque con aceite.

**⚠ ADVERTENCIA:** No fume ni acerque fuego ni llamas al aceite ni a la sierra de pértiga. El aceite podría derramarse y causar un incendio.

**AVISO:** La sierra de pértiga no está llena con aceite al momento de la compra. Es esencial llenar el depósito con aceite para la cadena antes de usarla. Si hace funcionar la sierra de pértiga sin el aceite para la cadena o con un nivel de aceite por debajo de una determinada cantidad, se puede dañar la sierra de pértiga. La vida útil de la cadena y la capacidad de corte dependen de que la lubricación sea óptima. La cadena se lubrica automáticamente con aceite durante el funcionamiento, si hay aceite suficiente en el depósito. El nivel de aceite también se debe revisar cada 20 minutos de uso y se debe volver a llenar a medida que sea necesario.

1. Retire el paquete de baterías del cabezal motor.
2. Limpie la tapa del depósito de aceite y el área circundante para asegurarse de que no caiga suciedad en el depósito de aceite.
3. Coloque el accesorio de la sierra de pértiga en posición vertical, a fin de garantizar que la tapa del depósito quede hacia arriba. Haga girar la tapa del depósito de aceite en dirección contraria a las manecillas del reloj para retirarla (Fig. 4).



4. Vierta cuidadosamente el aceite para la espada y la cadena en el depósito hasta que se llene hasta el cuello del depósito. Tenga cuidado de que el aceite no se derrame desde la abertura. Limpie el excedente de aceite.

**AVISO:**

- Use aceite para espada y cadena OREGON a fin de obtener los mejores resultados. Está especialmente diseñado para generar poca fricción y permitir realizar cortes más rápidos.
- Nunca use aceite ni otros lubricantes que no estén diseñados específicamente para usarse sobre la espada y la cadena. Esto puede obstruir el sistema de aceite y causar el desgaste prematuro de la espada y la cadena.
- Controle el nivel de aceite con frecuencia y vuelva a llenar el depósito si es necesario.
- No use aceites sucios, usados ni contaminados. Se pueden dañar la espada y la cadena.
- Es normal que el aceite se filtre de la motosierra cuando no está en uso. Para evitar filtraciones, vacíe el depósito de aceite después de cada uso y haga funcionar la sierra durante un minuto. Cuando almacene la herramienta durante un período prolongado, asegúrese de que la cadena esté levemente lubricada; esto evitará que se oxiden la cadena y el piñón de la espada.
- Para preservar los recursos naturales, recicle o deseche el aceite como corresponde. Consulte a la autoridad local en materia de residuos para obtener información acerca de las opciones de reciclado o de desecho disponibles.

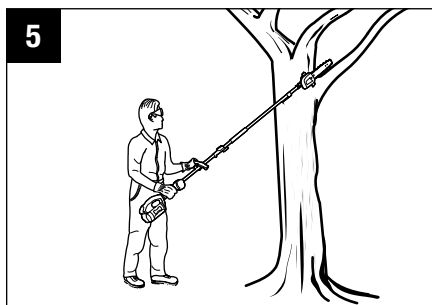
**PARA ENCENDER Y APAGAR LA HERRAMIENTA**

Vea la sección “**ENCENDER Y APAGAR EL CABEZAL MOTOR**” en el manual del usuario del cabezal motor PH1400.

**PREPARACIÓN PARA EL CORTE  
(Fig. 5)**

Consulte la sección “Instrucciones importantes de seguridad” en páginas previas de este manual para saber cuáles son los equipos de seguridad indicados

- Asegúrese de que la cadena esté colocada y tensada correctamente.

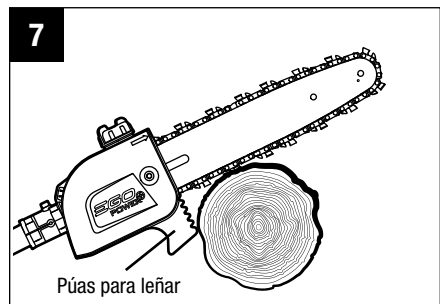
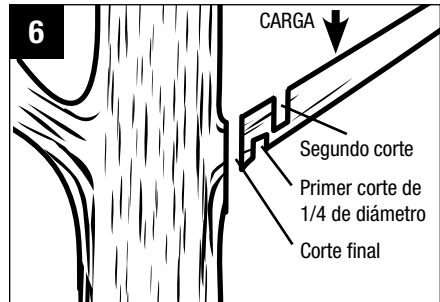


- Levante la punta de la espada para verificar que la cadena no cuelgue. La tensión de la cadena es la correcta cuando la cadena no cuelga del lado inferior de la espada y se mantiene ceñida, pero puede hacerse girar a mano sin que se atasque. Si debe ajustar la tensión, consulte la sección **"CÓMO REEMPLAZAR LA ESPADA Y LA CADENA"** en la sección de mantenimiento de este manual para obtener instrucciones para el ajuste.
- Verifique la tensión del tornillo de la cubierta lateral antes de usarlo. Si está suelto, apriete el tornillo de la cubierta lateral girándolo en dirección de las manecillas del reloj.
- Controle el nivel de aceite y llene el depósito si es necesario.
- Verifique el filo de los eslabones cortantes de la cadena.
- Asegúrese de que la cadena esté bien lubricada.
- Use guantes antideslizantes para lograr el máximo agarre y protección.
- Mantenga un agarre adecuado de la unidad siempre que el motor esté en funcionamiento. Sostenga la unidad firmemente con ambas manos.
- Nunca se pare directamente debajo de la rama que desee cortar.
- Asegúrese de tener un buen punto de apoyo, con los pies firmes y en equilibrio. Mire a su alrededor para ver que no haya tocones de árbol, raíces o zanjas que puedan hacerlo caer o tropezar.

## PROCEDIMIENTO BÁSICO DE CORTE (Fig. 6 y 7)

Siga los pasos que se muestran a continuación para no dañar la corteza del árbol o arbusto. No use un movimiento de corte hacia delante y hacia atrás.

1. Haga un primer corte superficial (1/4 del diámetro de la rama) en la parte inferior de la rama, cerca de la rama o el tronco principal.



2. Haga un segundo corte en la parte superior de la rama, en dirección contraria del primer corte. Siga cortando a través de la rama hasta que se separe del árbol. Prepárese para compensar el peso de la herramienta cuando caiga la rama.
3. Haga un corte final cerca del tronco.

**AVISO:** Para el segundo corte y el corte final (desde la parte superior de la rama), sostenga las púas para leñar contra la rama que corta (Fig. 7). Esto lo ayudará a estabilizar la rama y facilitar el corte. Permita que la cadena corte por usted; ejerza solamente una ligera presión hacia abajo. Si fuerza el corte, puede dañar la espada, la cadena o el motor.

4. Suelte el gatillo del cabezal motor en cuanto finalice el corte.

**AVISO:** Si no sigue el procedimiento de corte adecuado, la espada y la cadena se atascarán y quedarán atrapadas en la rama. Si esto sucede, haga lo siguiente:

1. Detenga el motor y retire el paquete de baterías.
2. Si puede alcanzar la rama desde el suelo, levántala mientras sostiene la sierra.

De esta forma, podrá soltar la rama y liberar la sierra.

3. Si la sierra continúa atrapada, llame a un profesional para obtener ayuda.

## DESRAEME Y PODA

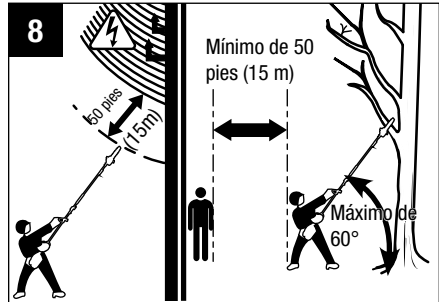
Este accesorio para la sierra de pértiga se diseñó para recortar ramas pequeñas de hasta 8 pulg. de diámetro. Para obtener mejores resultados, respete las siguientes precauciones.

1. Planifique el corte con cuidado. Tenga en cuenta la dirección en la que caerá la rama.

**⚠ ADVERTENCIA:** Las ramas pueden caer en direcciones inesperadas. No se pare directamente debajo de la rama que desee cortar.

2. La aplicación de corte más típica es colocar la unidad en un ángulo de 60° o inferior, según la situación específica, como se muestra en la Fig. 8. A medida que aumenta el ángulo del mango de la sierra de pértiga al suelo, aumenta la dificultad del primer corte (desde la parte inferior de la rama).
3. Retire las ramas largas en varias etapas.
4. Corte las ramas inferiores primero para que las ramas superiores tengan más espacio cuando caigan.

5. Trabaje lentamente; sostenga la sierra con firmeza con ambas manos. Mantenga un punto de apoyo y equilibrio seguro.
6. Durante el desrame, mantenga el árbol entre usted y la cadena. Realice cortes desde el lado del árbol opuesto a la rama que corta.
7. No realice cortes desde una escalera, es extremadamente peligroso. Deje esas acciones en manos de profesionales.
8. No realice un corte nivelado junto a la rama principal hasta que haya cortado una parte grande de la rama para reducir el peso. Si sigue los procedimientos de corte adecuados, evitará quebrar la rama del miembro principal.
9. No use la sierra de pértiga para talar o leñar.
10. Para evitar electrocutarse, no utilice este producto a menos de 50 pies (15 m) de líneas aéreas eléctricas (Fig. 8).
11. Mantenga a los transeúntes al menos a 50 pies (15 m) de distancia (Fig. 8).



## MANTENIMIENTO

**⚠ ADVERTENCIA:** Cuando realice el mantenimiento, solo use piezas de repuesto idénticas. El uso de otras piezas puede generar un peligro o dañar el producto. Para garantizar la seguridad y la confiabilidad, todas las reparaciones deben estar a cargo de un técnico calificado.

**⚠ ADVERTENCIA:** Las herramientas a batería no necesitan estar conectadas a un enchufe, por lo tanto siempre se encuentran en condiciones de funcionar. Para evitar lesiones personales graves, tome precauciones adicionales y tenga cuidado al realizar mantenimiento, reparar o cambiar el accesorio de corte u otros accesorios.

**⚠ ADVERTENCIA:** Para evitar lesiones personales graves, retire el paquete de baterías del cabezal motor antes de realizarle mantenimiento, limpiarlo, cambiar los accesorios adicionales o cuando no use el producto.

### MANTENIMIENTO GENERAL

Evite el uso de solventes para limpiar las piezas de plástico. La mayoría de los plásticos son susceptibles a diferentes tipos de solventes comerciales y pueden resultar dañados por su uso. Utilice paños limpios para eliminar la suciedad, el polvo, el aceite, la grasa, etc.

**⚠ ADVERTENCIA:** No permita en ningún momento que las piezas plásticas entren en contacto con líquidos de freno, gasolina, productos a base de petróleo, aceites penetrantes, etc. Los productos químicos pueden dañar, debilitar o destruir el plástico, lo que puede resultar en lesiones graves.

**⚠ ADVERTENCIA:** Al limpiar el accesorio para la sierra de pértiga, NO lo sumerja en agua ni en ningún otro líquido.

### LIMPIEZA

- Después de cada uso, retire la batería y limpie los residuos de la cadena y la espada con un cepillo suave. Limpie la superficie de la sierra de pértiga con un paño limpio humedecido con una solución jabonosa suave.
- Retire la cubierta del piñón de la cadena y use un cepillo suave para retirar los residuos de la espada, la cadena, el piñón y la cubierta del piñón de la cadena.
- Siempre limpie las astillas, el aserrín y la suciedad de la ranura de la espada al reemplazar la cadena de la motosierra.



Todos los servicios de la sierra de p rtiga que no est n enumerados en estas instrucciones de mantenimiento deben estar a cargo de personal competente en servicios de la sierra de p rtiga.

## REEMPLAZO DE LA ESPADA Y LA CADENA

**⚠ ADVERTENCIA:** Antes de realizar cualquier procedimiento de mantenimiento, aseg rese de extraer el paquete de bater as. Si no se respeta esta advertencia, se podr an producir lesiones graves.

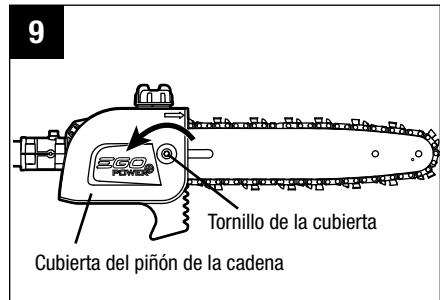
**⚠ ADVERTENCIA:** Siempre use guantes al manipular la espada y la cadena; estos componentes son filosos y pueden tener rebabas.

**⚠ ADVERTENCIA:** Nunca toque ni ajuste la cadena mientras el motor est  en funcionamiento. La cadena es muy filosa; siempre use guantes protectores al realizar el mantenimiento de esta pieza.

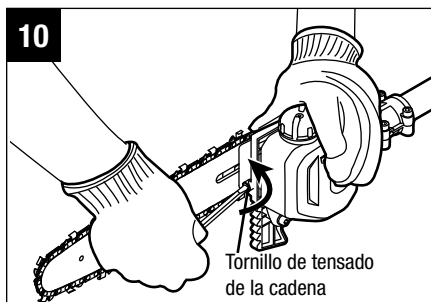
**AVISO:** Al reemplazar la espada y la cadena, use siempre la combinaci n de espada y cadena especificada en la secci n **“Cadena y barra recomendadas para esta sierra de p rtiga”**.

## Desarmado de la espada y la cadena desgastadas

1. Retire la bater a, deje que la sierra de p rtiga se enfr e y apriete la tapa del dep sito de aceite.
2. Apoye el accesorio de la sierra de p rtiga de lado sobre una superficie firme y plana, de modo que la cubierta del pi n de la cadena quede hacia arriba (Fig. 9).
3. Use guantes. Con la llave de dos cabezas provista, afloje el ensamblaje del tornillo de la cubierta y ret relo de la cubierta del pi n de la cadena.
4. Retire la cubierta del pi n de la cadena del accesorio para la sierra de p rtiga. Limpie la cubierta del pi n de la cadena con un pa o seco.
5. Retire la espada y la cadena de la superficie de montaje. Retire la cadena usada de la barra.



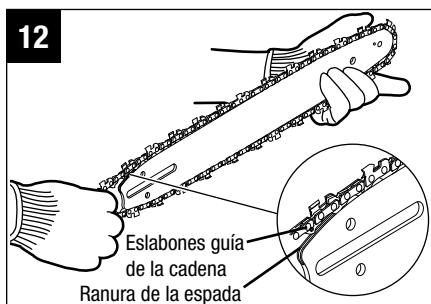
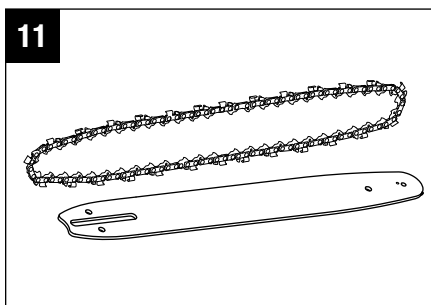
**AVISO:** Si tiene dificultades para retirar la cadena y la barra de la superficie de montaje, coloque la sierra de pértiga en posición vertical, sostenga la cadena con una mano y afloje el tornillo de tensado de la cadena en dirección contraria a las manecillas del reloj con la otra mano (Fig. 10). Luego, retire la espada con la cadena.



**AVISO:** Es un buen momento para inspeccionar el piñón de transmisión en busca de desgaste excesivo o daños.

## Armado de la espada y la cadena nuevas

1. Apoye la cadena nueva formando un lazo sobre una superficie plana y enderece las deformaciones que pueda tener (Fig. 11).
2. Coloque los eslabones guía de la cadena dentro de la ranura de la espada. Posicione la cadena de modo que haya un lazo en la parte posterior de la espada (Fig. 12).
3. Sostenga la cadena en posición sobre la espada y coloque el lazo alrededor del piñón de la sierra de pértiga.



**AVISO:** La cadena tiene grabadas pequeñas flechas direccionales. La carcasa de la herramienta tiene moldeada otra flecha direccional (Fig. 13a). Al colocar la cadena de la motosierra formando un lazo sobre el piñón, asegúrese de que la dirección de las flechas sobre la cadena se corresponda con la dirección de la flecha de la carcasa de la herramienta. Si tienen direcciones opuestas, voltee la cadena y el ensamblaje de la espada (Fig. 13b).

- Coloque la espada sobre la superficie de montaje deslizando la muesca de la espada sobre las protuberancias de alineación, asegurándose de que la clavija de ajuste de tensión se inserte en el orificio inferior del extremo de la espada (Fig. 13a).

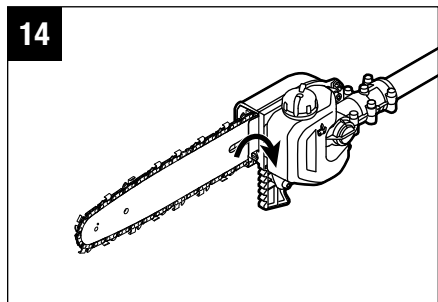
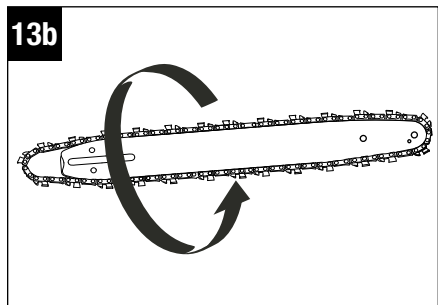
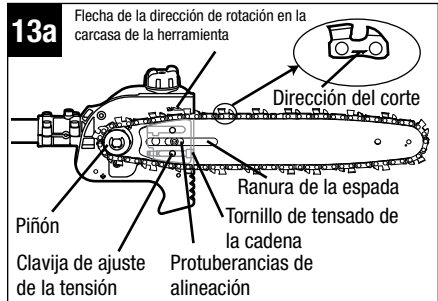
**AVISO:** Si tiene dificultades para insertar la clavija de ajuste de tensión en el orificio, inserte el tornillo de tensado de la cadena adecuadamente, hasta que la clavija de ajuste de tensión se ubique exactamente en el orificio.

- Reemplace la cubierta del piñón de la cadena, inserte el ensamblaje del tornillo de la cubierta a través de su orificio de montaje y luego ajuste ligeramente el tornillo de la cubierta del piñón de la cadena girándolo en dirección de las manecillas del reloj. La espada debe quedar libre de movimiento para poder ajustar la tensión.

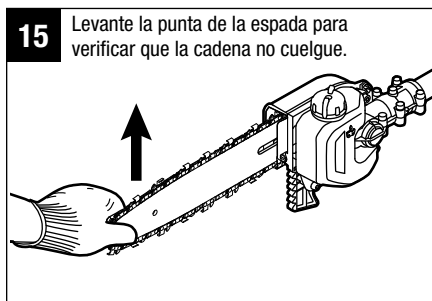
**PRECAUCIÓN:** La tensión de la cadena de la motosierra debe ajustarse correctamente antes de utilizarla.

**AVISO:** Para prolongar la vida útil de la espada, inviértala de vez en cuando.

- Elimine toda la holgura de la cadena haciendo girar el tornillo de tensado de la cadena en dirección de las manecillas del reloj hasta que la cadena se asiente ceñidamente contra la espada, con los eslabones guía dentro de la ranura de la espada (Fig. 14).



- Levante la punta de la espada para verificar que la cadena no cuelgue (Fig. 15). Suelte la punta de la espada y haga girar el tornillo de tensado de la cadena una vez más en dirección de las manecillas del reloj. Repita este proceso hasta que la cadena no cuelgue más.



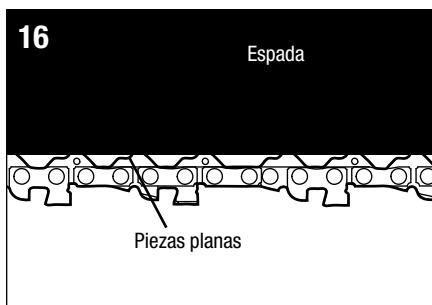
- Sostenga levantada la punta de la espada y apriete con firmeza el tornillo del piñón de la cadena. La tensión de la cadena es la correcta cuando la cadena no cuelga del lado inferior de la espada y se mantiene ceñida, pero puede hacerse girar a mano sin que se atasque.

**AVISO:** Si la cadena está demasiado ajustada, no podrá girar. Afloje ligeramente el tornillo de la cubierta del piñón de la cadena y haga girar el tornillo 1/4 de giro en dirección contraria a las manecillas del reloj. Levante la punta de la espada y vuelva a apretar con firmeza el tornillo de la cubierta del piñón de la cadena. Asegúrese de que la cadena gire sin atascarse.

## AJUSTE DE LA TENSIÓN DE LA CADENA

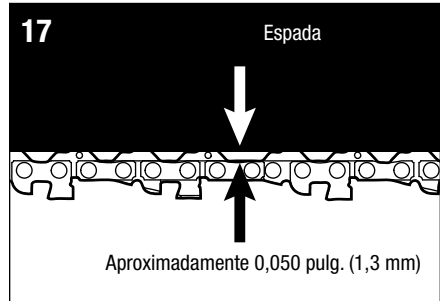
- Detenga el motor y retire el paquete de baterías antes de ajustar la tensión de la cadena.
- Afloje el tornillo de la cubierta manualmente.
- Haga girar el tornillo de tensado de la cadena en dirección de las manecillas del reloj para tensar la cadena. Consulte la sección “**REEMPLAZO DE LA ESPADA Y LA CADENA**” en este manual para obtener más información.

- La tensión de la cadena en frío es la correcta cuando no hay holgura del lado inferior de la espada y la cadena se mantiene ceñida, pero puede hacerse girar sin que se atasque. La cadena debe tensarse nuevamente si las piezas planas de los eslabones guía no se asientan en la ranura de la espada, como se muestra en la Fig. 16.



- Durante el funcionamiento normal de la motosierra, la temperatura de la cadena aumenta. Los eslabones guía de una cadena caliente con la tensión correcta cuelgan aproximadamente 0,050 pulg. (1,3 mm) por fuera de la ranura de la espada (Fig. 17).

**AVISO:** Las cadenas nuevas tienden a estirarse; la tensión de la cadena con frecuencia y ajústela cuando sea necesario.



**AVISO:** Si una cadena se tensó en caliente, puede quedar demasiado ajustada al enfriarse. Verifique la tensión en frío antes del próximo uso.

## MANTENIMIENTO DE LA CADENA

**⚠ ADVERTENCIA:** Retire el paquete de baterías antes de realizar cualquier mantenimiento; si no lo hace se podrían producir lesiones graves.

**⚠ ADVERTENCIA:** Siempre use guantes al manipular la cadena; este componente es filoso y puede tener rebabas.

Use solo cadenas de bajo rebote para esta motosierra. Esta cadena de corte rápido brinda una reducción del rebote cuando se mantiene correctamente.

Una cadena bien afilada corta la madera sin esfuerzo, incluso con muy poca presión.

Nunca use una cadena dañada o sin filo. Una cadena con cortantes desafilados aumenta el esfuerzo físico que debe hacer el usuario y la carga de vibración, produce resultados insatisfactorios y aumenta el desgaste.

Para que el corte sea uniforme y rápido, la cadena debe mantenerse correctamente. La cadena debe afilarse cuando las astillas de madera del cortado son pequeñas y como polvo, la cadena debe forzarse para que atraviese la madera durante el corte o la cadena corta de un lado. Durante el mantenimiento de la cadena, tenga en cuenta lo siguiente:

- Si el ángulo de afilado de la placa lateral es incorrecto, puede aumentar el riesgo de producirse un efecto rebote importante.
- Espacio libre de los eslabones cortantes (talones de profundidad). Si es demasiado bajo, aumenta el potencial de efecto rebote. Si no es lo suficientemente bajo, disminuye la capacidad de corte.

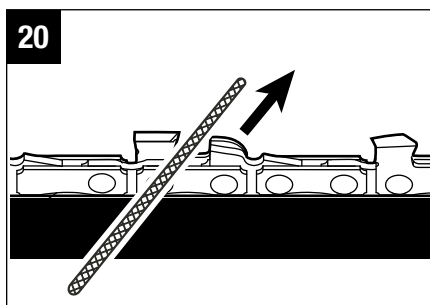
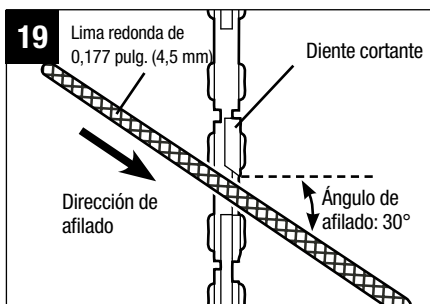
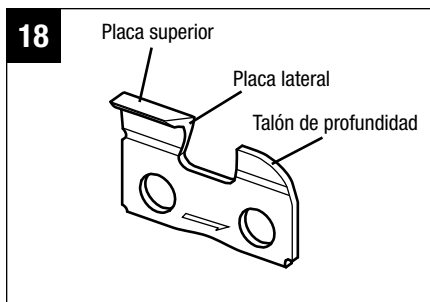
- Si los eslabones cortantes han golpeado objetos duros, como clavos o piedras, o han sido corroidos por lodo o arena en la madera, haga afilar la cadena por un técnico de servicio calificado.

**AVISO:** Inspeccione el piñón de transmisión en busca de desgaste o daños al reemplazar la cadena. Si hay indicios de desgaste o daños en las áreas indicadas, solicite a un técnico de servicio calificado que reemplace el piñón de transmisión.

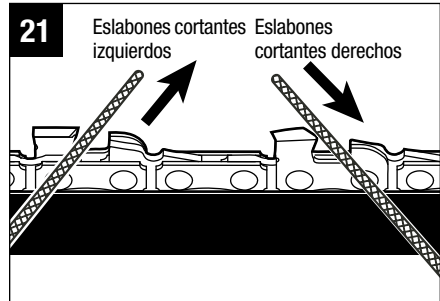
## Cómo afilar los eslabones cortantes

Tenga la precaución de afilar todos los eslabones cortantes (Fig. 18) en los ángulos especificados y a la misma longitud, dado que los cortes rápidos solo pueden lograrse cuando todos los eslabones cortantes son uniformes.

1. Retire el paquete de baterías. Use guantes para protegerse.
2. Ajuste la tensión de la cadena antes de afilarla. Consulte la sección **“AJUSTE DE LA TENSION DE LA CADENA”** en páginas previas de este manual.
3. Use una lima redonda de 0,177 pulg. (4,5 mm) de diámetro y un portalimas (se vende por separado). Realice todo el afilado en la posición media de la espada.
4. Mantenga la lima nivelada con la placa superior del diente. No deje que la lima se hunda o se sacuda.
5. Mantenga un ángulo de afilado correcto: 30° entre la lima y la cadena de la motosierra (vea las fig. 19 y 20). Use siempre un portalimas (se vende por separado) al afilar a mano cadenas de motosierra. Los portalimas tienen marcas para el ángulo de afilado.



6. Haciendo una presión leve y firme, haga movimientos hacia la esquina frontal del diente. Aleje la lima levantándola del acero en cada movimiento de regreso.
7. Haga varios movimientos firmes en cada diente. Afile todos los eslabones cortantes izquierdos en una dirección. Luego pase al otro lado y afile los eslabones cortantes derechos en la dirección opuesta. Ocasionalmente, retire las virutas de la lima con un cepillo de alambre suave (Fig. 21).



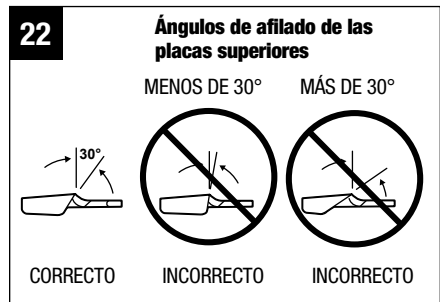
**⚠ ADVERTENCIA:** Si la cadena está desafilada o no está afilada correctamente, el motor puede alcanzar una velocidad demasiado alta durante el corte y dañarse gravemente.

**⚠ ADVERTENCIA:** Si el afilado de la cadena no es correcto, aumenta el potencial de efecto rebote.

**⚠ ADVERTENCIA:** Si no reemplaza o repara la cadena en caso de que esté dañada, se pueden producir lesiones graves.

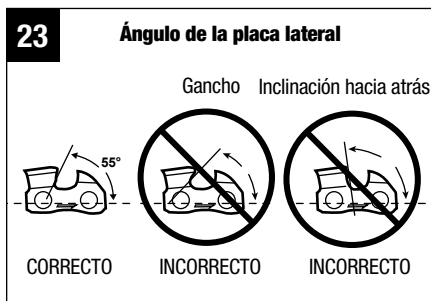
### Ángulos de afilado de las placas superiores (Fig. 22)

- **CORRECTO:** 30°. Este ángulo óptimo puede obtenerse solo cuando se usan las limas especificadas y una posición de afilado correcta. Los portalimas tienen marcas de guía para alinear la lima correctamente y producir el ángulo correcto con las placas superiores.
- **MENOS DE 30°:** el diente queda demasiado desafilado para cortar.
- **MÁS DE 30°:** el borde del eslabón cortante queda muy afilado y corta muy rápidamente.



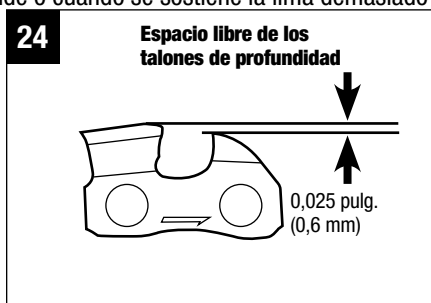
## Ángulos de afilado de las placas laterales (Fig. 23)

- **CORRECTO:** 55°. El ángulo óptimo puede producirse automáticamente si se usa una lima con el diámetro correcto en el portallimas.
- **GANCHO:** “agarra” y se desafilan rápidamente. Aumenta el potencial de EFECTO REBOTE. Se produce cuando se usa una lima con un diámetro demasiado pequeño o cuando se sostiene la lima demasiado bajo.
- **INCLINACIÓN HACIA ATRÁS:** necesita demasiada presión de alimentación, produce un desgaste excesivo en la espada y la cadena. Se produce cuando se usa una lima con un diámetro demasiado grande o cuando se sostiene la lima demasiado alto.

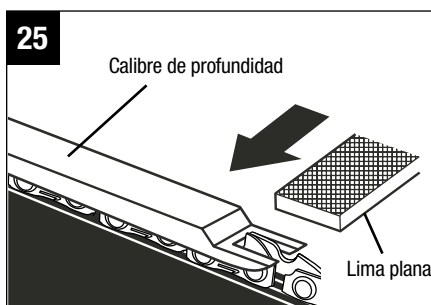


## Espacio libre de los talones de profundidad

1. El talón de profundidad debe mantenerse a un espacio libre de 0,025 pulg (0,6 mm), como se muestra en la Fig. 24. Use un calibre de profundidad (se vende por separado) para medir el espacio libre de los talones de profundidad.
2. Cada vez que se afile la cadena, mida el espacio libre de los talones de profundidad.



Use una lima plana y un calibre de profundidad (se venden por separado) para bajar todos los talones uniformemente (Fig. 25). Los calibres de profundidad están disponibles de 0,020 pulg. a 0,035 pulg. (0,5 mm a 0,9 mm). Use un calibre de profundidad de 0,025 pulg. (0,6 mm).





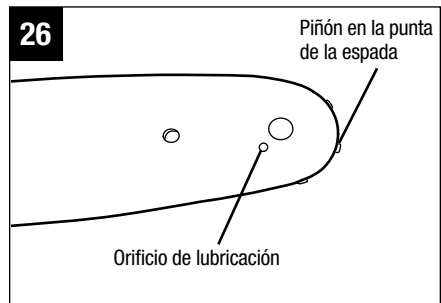
Los talones de profundidad pueden ajustarse con la lima plana en la misma dirección en que se limó el eslabón cortante adyacente con la lima redonda. Tenga precaución para no tocar la superficie del eslabón cortante con la lima plana cuando ajuste los talones de profundidad.

## MANTENIMIENTO DE LA ESPADA

Cuando la espada muestre indicios de desgaste, voltéela en la motosierra para distribuir el desgaste y lograr la máxima vida útil. La espada debe limpiarse todos los días que se use y debe verificarse que no presente desgaste ni daños. Las deformaciones o rebabas en los rieles de la espada son una consecuencia normal del desgaste de la espada. Estos defectos deben suavizarse con una lima en cuanto ocurran. Si la espada tiene alguno de los siguientes defectos, debe reemplazarse.

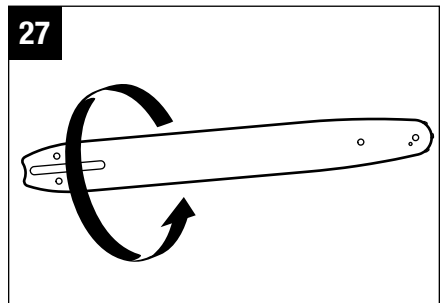
- Desgaste dentro de los rieles de la espada que permite que la cadena se apoye de costado.
- Dobleces en la espada.
- Rieles agrietados o rotos.
- Rieles muy abiertos.

Además, la espada tiene un piñón en la punta. El piñón debe lubricarse semanalmente con una jeringa de grasa para prolongar la vida útil de la espada. Use una jeringa de grasa para lubricar semanalmente con aceite para cadenas a través del orificio de lubricación (Fig. 26). Voltee la espada y verifique que los orificios de lubricación y la ranura de la cadena estén libres de impurezas.



### Cómo revertir la espada

1. Retire la espada y la cadena de la sierra de pértiga, siguiendo la sección **“REEMPLAZO DE LA ESPADA Y LA CADENA”**.
2. Retire la cadena de la espada y voltee la espada (Fig. 27). La parte inferior de la cadena quedará del lado superior.



3. Reemplace la cadena en la espada.
4. Vuelva a ensamblar la espada y la cadena en la sierra de pértiga y ajuste la tensión de la cadena, siguiendo las instrucciones de las secciones **“REEMPLAZO DE LA ESPADA Y LA CADENA”** y **“AJUSTE DE LA TENSIÓN DE LA CADENA”**.

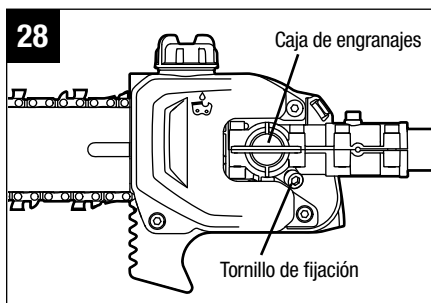
## LUBRICACIÓN DE LOS ENGRANAJES DE LA TRANSMISIÓN

Los engranajes de la transmisión en la caja de engranajes deben lubricarse periódicamente con grasa para engranajes. Verifique el nivel de grasa de la caja de engranajes aproximadamente cada 50 horas de funcionamiento retirando el tornillo de fijación que se encuentra en la parte lateral de la carcasa.

Si no se puede ver grasa en los costados de los engranajes, siga los pasos a continuación para llenar con grasa para engranajes hasta 3/4 de la capacidad.

No llene por completo la caja de engranajes de la transmisión.

1. Apoye el accesorio de la sierra de pértiga sobre el lado de la cubierta del piñón de la cadena en una superficie firme y plana, de modo que el tornillo de fijación quede hacia arriba (Fig. 28).
2. Use la llave de dos cabezas provista para aflojar y retirar el tornillo de inyección.



3. Use una jeringa para grasa (no incluida) para inyectar un poco de grasa en el orificio del tornillo, con cuidado para no superar los 3/4 de la capacidad.
4. Apriete el tornillo de fijación después de la inyección.

## TRANSPORTE Y ALMACENAJE

1. No almacene ni transporte el accesorio de la sierra de pértiga si está en funcionamiento. Siempre retire el paquete de baterías antes de almacenarlo o transportarlo.
2. Coloque siempre la funda de la espada sobre la espada y la cadena antes de almacenar o transportar el accesorio de la sierra de pértiga. Tenga precaución para evitar los dientes afilados de la cadena.

3. Limpie bien la sierra de p ertiga antes de almacenarla. Almacene la sierra de p ertiga en interiores, en un lugar seco que est  cerrado con llave y no sea accesible para los ni os.
4. Mant ngala alejada de los agentes corrosivos, como productos qu micos para jard n y sales para derretir hielo.

## SOLUCIÓN DE PROBLEMAS

PROBLEMA	CAUSA	SOLUCIÓN
El motor no funciona.	<ul style="list-style-type: none"> <li>■ El paquete de baterías no está colocado en la sierra de pértiga.</li> <li>■ No hay contacto eléctrico entre la motosierra y la batería.</li> <li>■ El paquete de baterías está agotado.</li> <li>■ El botón de desbloqueo no está liberado antes de presionar el gatillo interruptor.</li> <li>■ El paquete de baterías o el cabezal motor están muy calientes.</li> <li>■ La cadena se encajó en la madera.</li> <li>■ Hay residuos en la ranura de la espada.</li> <li>■ Hay residuos en la cubierta del piñón de la cadena.</li> </ul>	<ul style="list-style-type: none"> <li>■ Coloque el paquete de baterías en la sierra de pértiga.</li> <li>■ Retire la batería, revise los contactos y vuelva a instalar el paquete de baterías.</li> <li>■ Cargue el paquete de baterías.</li> <li>■ Mantenga presionada la palanca de bloqueo y pulse el gatillo para encender la sierra de pértiga.</li> <li>■ Deje que el paquete de baterías o el cabezal motor se enfríen hasta que la temperatura descienda por debajo de los 152 °F (67 °C).</li> <li>■ Suelte el gatillo y retire la cadena y la espada de la madera; luego, reinicie la sierra de pértiga.</li> <li>■ Presione la cadena contra la madera y mueva la sierra de pértiga hacia atrás y hacia delante para sacudir los residuos.</li> <li>■ Retire el paquete de baterías, luego retire la cubierta del piñón de la cadena y limpie los residuos.</li> </ul>
El motor funciona, pero la cadena no se mueve.	<ul style="list-style-type: none"> <li>■ La cadena no se engancha con el piñón de transmisión.</li> </ul>	<ul style="list-style-type: none"> <li>■ Retire el paquete de baterías y vuelva a instalar la cadena, asegurándose de que los eslabones de transmisión de la cadena se asienten plenamente sobre el piñón.</li> </ul>

PROBLEMA	CAUSA	SOLUCIÓN
<p>La sierra de pértiga no corta correctamente.</p>	<ul style="list-style-type: none"> <li>■ La tensión de la cadena no es suficiente.</li> <li>■ La cadena está desafilada.</li> <li>■ La cadena está instalada hacia atrás.</li> <li>■ La cadena está desgastada.</li> <li>■ La cadena está seca o estirada excesivamente.</li> <li>■ La cadena está fuera de la ranura de la espada.</li> </ul>	<ul style="list-style-type: none"> <li>■ Retire el paquete de baterías y vuelva a ajustar la tensión de la cadena, de acuerdo con la sección <b>“AJUSTE DE LA TENSIÓN DE LA CADENA”</b>.</li> <li>■ Afile los eslabones cortantes, de acuerdo con la sección <b>“Cómo afilar los eslabones cortantes”</b>.</li> <li>■ Retire el paquete de baterías y vuelva a instalar la cadena de la sierra, de acuerdo con la sección <b>“REEMPLAZO DE LA ESPADA Y LA CADENA”</b>.</li> <li>■ Retire el paquete de baterías y reemplace la cadena, de acuerdo con la sección <b>“REEMPLAZO DE LA ESPADA Y LA CADENA”</b>.</li> <li>■ Controle el nivel de aceite. Si es necesario, recargue el depósito de aceite.</li> <li>■ Retire el paquete de baterías y vuelva a instalar la cadena, de acuerdo con la sección <b>“REEMPLAZO DE LA ESPADA Y LA CADENA”</b>.</li> </ul>
<p>La espada y la cadena funcionan en caliente y echan humo.</p>	<ul style="list-style-type: none"> <li>■ Verifique que la tensión de la cadena no sea excesiva.</li> <li>■ El depósito de aceite para la cadena está vacío.</li> <li>■ Hay residuos en la ranura de la espada.</li> </ul>	<ul style="list-style-type: none"> <li>■ Retire el paquete de baterías y vuelva a ajustar la cadena; consulte la sección <b>“AJUSTE DE LA TENSIÓN DE LA CADENA”</b>.</li> <li>■ Llene con el lubricante de la espada y la cadena.</li> <li>■ Limpie los residuos de la ranura.</li> </ul>

# GARANTÍA

## POLÍTICA DE GARANTÍA DE EGO

Garantía limitada de 5 años para el equipo electromecánico para exteriores EGO y garantía limitada de 3 años para los cargadores y las baterías del Sistema EGO Power+.

Póngase en contacto con Servicio al Cliente de EGO de manera gratuita al 1-855-EGO-5656, cuando tenga preguntas o reclamaciones de garantía.

## GARANTÍA LIMITADA DE SERVICIO

Este producto EGO está garantizado contra defectos en los materiales y la mano de obra POR CINCO AÑOS desde la fecha de su compra original. El producto defectuoso se reparará de manera gratuita.

El cargador y el paquete de batería del Sistema EGO Power+ están garantizados contra defectos en los materiales y la mano de obra POR TRES AÑOS desde la fecha de su compra original.

El producto defectuoso se reparará de manera gratuita.

Esta garantía no cubre piezas de mantenimiento de rutina o piezas fungibles, como la cadena y la espada, que puedan desgastarse durante el uso normal dentro del período de garantía.

- a) Esta garantía se aplica solo al comprador original del distribuidor minorista autorizado de EGO y podría no ser transferible. Los distribuidores minoristas autorizados de EGO se identifican en línea, en <http://egopowerplus.com/pages/warranty-policy>.
- b) El período de garantía para cualquier pieza o producto EGO para propósitos industriales, profesionales o comerciales es de un año.
- c) Esta garantía queda nula si el producto se ha puesto en alquiler.
- d) Esta garantía no cubre daños producto de modificaciones, alteraciones o reparaciones no autorizadas.
- e) Esta garantía solo cubre defectos en condiciones de uso normales y no cubre fallas, mal funcionamiento o defectos del producto por uso indebido, abuso (incluida la sobrecarga del producto por encima de su capacidad y la exposición de forma directa al agua o lluvia), accidentes, negligencia o falta de instalación correcta, y almacenaje o mantenimiento inadecuados.

- f) Esta garantía no cubre el deterioro normal del acabado exterior, incluidos, entre otros, rayones, abolladuras, trozos de pintura o cualquier corrosión o decoloración producida por el calor, limpiadores químicos y abrasivos.

## **CÓMO OBTENER EL SERVICIO**

Para obtener el servicio de garantía, póngase en contacto con el Departamento de Servicio al Cliente de EGO de manera gratuita al 1-855-EGO-5656. Cuando solicite el servicio de garantía, debe presentar el recibo de compra original con fecha. Se seleccionará un centro de servicio autorizado para reparar el producto de acuerdo con los términos de la garantía estipulados.

## **LIMITACIONES ADICIONALES**

En la medida en que lo permita la ley aplicable, se rechazan todas las garantías implícitas, incluidas las garantías de comerciabilidad o idoneidad para un FIN en particular. Cualquier garantía implícita, incluidas las garantías de comerciabilidad o idoneidad para cualquier fin en particular, que no pueda ser rechazada según la ley estatal está limitada a cinco años desde la fecha de compra para el equipo electromecánico para exteriores y tres años desde la fecha de compra para el cargador y el paquete de batería.

Chervon North America no se hará responsable por daños directos, indirectos, accidentales o resultantes.

Algunos estados no permiten limitaciones con respecto a la duración de una garantía implícita y/o no permiten la exclusión o limitación de daños accidentales o resultantes, de modo que las limitaciones antes descritas podrían no aplicarse en su caso.

Esta garantía le otorga derechos legales específicos, pero podría tener también otros derechos que varían según el estado.

Para obtener el servicio al cliente, póngase en contacto con nosotros de manera gratuita al: 1-855-EGO-5656 o en [EGOPOWERPLUS.COM](http://EGOPOWERPLUS.COM)

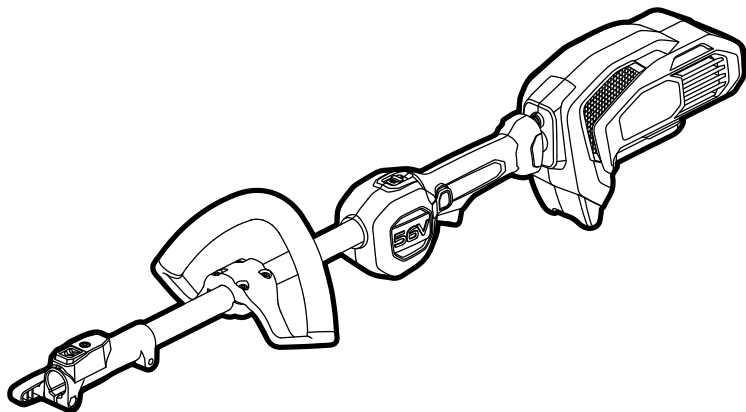
EGO Customer Service, 120 Ionia Street SW / Suite 102 Grand Rapids, MI 49503





# EGO™

POWER<sup>+</sup> POWER HEAD



FOR USE WITH EGO POWER+  
POWER HEAD ATTACHMENTS

OPERATOR'S MANUAL

## 56-VOLT LITHIUM-ION POWER HEAD

Français p. 24

Español p. 47

MODEL NUMBER PH1400

**⚠ WARNING:** To reduce the risk of injury, the user must read and understand the Operator's Manual before using this product. Save these instructions for future reference.



# TABLE OF CONTENTS

Safety Symbols .....	4
Safety Instructions.....	5-8
Introduction .....	8
Specifications .....	9
Packing List.....	9
Description .....	10-11
Assembly.....	13-16
Operation.....	17-19
Maintenance .....	20
Troubleshooting.....	21
Warranty .....	22-23

# READ ALL INSTRUCTIONS!



READ & UNDERSTAND  
OPERATOR'S MANUAL

**⚠ WARNING:** Some dust created by power cutting contains chemicals known to the state of California to cause cancer, birth defects or other reproductive harm. Some examples of these chemicals are:

- Lead from lead-based paints
- Crystalline silica from bricks and cement and other masonry products, and
- Arsenic and chromium from chemically-treated lumber.

Your risk from these exposures varies, depending on how often you do this type of work. To reduce your exposure to these chemicals: work in a well ventilated area, and work with approved safety equipment, such as those dust masks that are specially designed to filter out microscopic particles.

## SAFETY SYMBOLS

The purpose of safety symbols is to attract your attention to possible dangers. The safety symbols and the explanations with them deserve your careful attention and understanding. The symbol warnings do not, by themselves, eliminate any danger. The instructions and warnings they give are no substitutes for proper accident prevention measures.

**⚠ WARNING:** Be sure to read and understand all safety instructions in this Operator's Manual, including all safety alert symbols such as "**DANGER**," "**WARNING**," and "**CAUTION**" before using this tool. Failure to following all instructions listed below may result in electric shock, fire, and/or serious personal injury.

### SYMBOL MEANING

**⚠ SAFETY ALERT SYMBOL:** Indicates **DANGER**, **WARNING**, OR **CAUTION**. May be used in conjunction with other symbols or pictographs.



**⚠ WARNING!** The operation of any power tools can result in foreign objects being thrown into your eyes, which can result in severe eye damage. Before beginning power tool operation, always wear safety goggles or safety glasses with side shield and a full face shield when needed. We recommend a Wide Vision Safety Mask for use over eyeglasses or standard safety glasses with side shields. Always use eye protection which is marked to comply with ANSI Z87.1.

# SAFETY INSTRUCTIONS

This page depicts and describes safety symbols that may appear on this product. Read, understand, and follow all instructions on the machine before attempting to assemble and operate it.

	Safety Alert	Indicates a potential personal injury hazard.
	Read & Understand Operator's Manual	To reduce the risk of injury, user must read and understand the operator's manual before using this product.
	Eye Protection	Always wear safety goggles or safety glasses with side shields and a full face shield when operating this product.
	Recycle Symbols	This product uses lithium-ion (Li-ion) batteries. Local, state, or federal laws may prohibit disposal of batteries in ordinary trash. Consult your local waste authority for information regarding available recycling and/or disposal options.
IPX4	Ingress Protection Degree	Protection from splashing water
V	Volt	Voltage
mm	Millimeter	Length or size
cm	Centimeter	Length or size
in.	Inch	Length or size
kg	Kilogram	Weight
lb	Pound	Weight
	Direct Current	Type or a characteristic of current

## IMPORTANT SAFETY INSTRUCTIONS

**⚠ WARNING!** When using electric gardening appliances, basic safety precautions should always be followed to reduce the risk of fire, electric shock, and personal injury, including the following:

### READ ALL INSTRUCTIONS

**⚠ DANGER!** Do not rely on the tool's insulation against electric shock. To reduce the risk of electrocution, never operate the tool in the vicinity of any wires or cables which may carry electric current.

**⚠ CAUTION!** Wear appropriate personal hearing protection during use. Under some conditions and durations of use, noise from this product may contribute to hearing loss.

- **Avoid Dangerous Environment** - Don't use appliances in damp or wet locations.
- **Keep Children Away** - All visitors should be kept at a distance away from work area.
- **Dress Properly** - Do not wear loose clothing or jewelry. They can be caught in moving parts. Use of rubber gloves and substantial footwear is recommended when working outdoors. Wear protective hair covering to contain long hair.
- **Use Safety Glasses** - Always use face or dust mask if operation is dusty.
- **Use Right Appliance** - Do not use appliance for any job except that for which it is intended.
- **Don't Force Appliance** - It will do the job better and with less likelihood of a risk of injury at the rate for which it was designed.
- **Don't Overreach** - Keep proper footing and balance at all times.
- **Stay Alert** - Watch what you are doing. Use common sense. Do not operate the appliance when you are tired.
- **Store Idle Appliances Indoors** - When not in use, appliances should be stored indoors in a dry and high or locked-up place with the battery pack removed - out of reach of children.
- **Maintain Appliance with Care** - Keep the appliance clean for best performance and to reduce the risk of injury. Follow instructions for lubricating and changing accessories. Keep handles dry, clean, and free from oil and grease.
- **Check Damaged Parts** - Before further use of the appliance, a guard or other

part that is damaged should be carefully checked to determine that it will operate properly and perform its intended function. Check for alignment of moving parts, binding of moving parts, breakage of parts, mounting, and any other condition that may affect its operation. A guard or other part that is damaged should be properly repaired or replaced by an authorized service center unless indicated elsewhere in this manual.

- **Do not charge the battery pack in rain, or in wet locations.**
- Use only with the battery packs and chargers listed below:

BATTERY PACK	CHARGER
BA1120, BA1400, BA2240, BA2800, BA4200	CH2100 CH5500

- **This 56V power head PH1400 may be used with only the following EGO attachments:**

ATTACHMENT TYPE	MODEL NUMBER
Extension Pole	EP7500
Edger	EA0800
String Trimmer	STA1500
Pole Saw	PSA1000
Hedge Trimmer	HTA2000

- **Do not dispose of the battery in a fire.** The cells may explode. Check with local codes for possible special disposal instructions.
- **Do not open or mutilate the battery.** Released electrolyte is corrosive and may cause damage to the eyes or skin. It may be toxic if swallowed.
- **Exercise care in handling batteries in order not to short the battery with conducting materials such as rings, bracelets, and keys.** The battery or conductor may overheat and cause burns.
- **Replacement Parts** - When servicing, use only identical EGO replacement parts. Use of any other accessory or attachment may increase the risk of injury.
- **Battery tools do not have to be plugged into an electrical outlet; therefore, they are always in operating condition.** Be aware of possible hazards even when the tool is not operating. Take care when performing maintenance or service.
- **Remove or disconnect the battery pack before servicing, cleaning or removing material from the appliance.**



- **Do not wash with a hose; avoid getting water in motor and electrical connections.**
- **If situations occur that are not covered in this manual, use care and good judgment. Contact the EGO Customer Service Center for assistance.**
- **Save these instructions.** Refer to them frequently and use them to instruct others who may use this tool. If you lend this tool to someone else, also lend these instructions to them to prevent misuse of the product and possible injury.

**SAVE THESE INSTRUCTIONS!**

**ADDITIONAL SPECIFIC SAFETY RULES CAN BE FOUND IN THE APPLICABLE ATTACHMENT'S OPERATOR'S MANUAL**

## **INTRODUCTION**

Congratulations on your selection of the EGO 56-Volt Lithium-Ion Power Head. It has been designed, engineered and manufactured to give you the best possible dependability and performance.

Should you experience any problem you cannot easily remedy, please contact EGO customer service center 1-855-EGO-5656.


This manual contains important information on the safe assembly, operation and maintenance of your product. Read it carefully before using the product. Keep this manual handy so you can refer to it at any time.

SERIAL NUMBER \_\_\_\_\_ DATE OF PURCHASE \_\_\_\_\_

YOU SHOULD RECORD BOTH SERIAL NUMBER AND DATE OF PURCHASE AND KEEP THEM IN A SAFE PLACE FOR FUTURE REFERENCE



## SPECIFICATIONS

Voltage	56V 
Weight	5.82 lb.(2.64 kg)

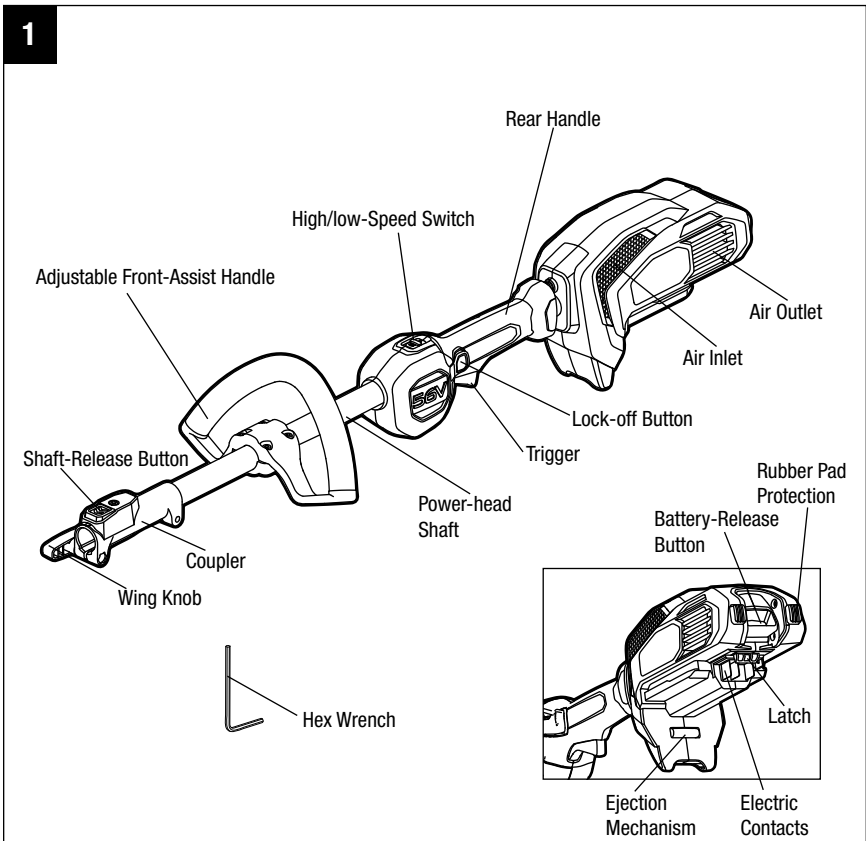
## PACKING LIST

PART NAME	QUANTITY
Power Head	1
Adjustable Front-Assist Handle	1
Hex Wrench	1
Operator's Manual	1

# DESCRIPTION

## KNOW YOUR POWER HEAD (Fig.1)

The safe use of this product requires an understanding of the information on the tool and in this operator's manual, as well as knowledge of the project you are attempting. Before using this product, familiarize yourself with all operating features and safety rules.



## **ADJUSTABLE FRONT-ASSIST HANDLE**

Adjusts for ease of operation and to help prevent loss of control.

## **REAR HANDLE**

Ergonomic handle with overmold improves comfort and grip.

## **LOCK-OFF BUTTON**

Helps to prevent accidental or unauthorized activation of the trigger. It must be depressed before the trigger can be activated.

## **VARIABLE-SPEED TRIGGER**

To turn the tool On and Off and control speed.

## **HIGH/LOW-SPEED SWITCH**

Provides high and low speeds for different tasks as needed.

## **COUPLER**

Aids in quick connection of the attachment shafts.

## **SHAFT-RELEASE BUTTON**

For releasing the attachment shaft.

## **WING KNOB**

Tightens the coupler and attachment shaft connection.

## **BATTERY-RELEASE BUTTON**

Releases the battery pack from the tool.

## **LATCH**

Locks the battery pack when installing it on the tool.



## **EJECTION MECHANISM**

Aids in battery removal.

## **RUBBER PAD**

Helps to protect the housing from impacts during use.

## ASSEMBLY

**⚠ WARNING:** If any parts are damaged or missing, do not operate this product until the parts are replaced. Use of this product with damaged or missing parts could result in serious personal injury.

**⚠ WARNING:** Do not attempt to modify this product or create accessories not recommended for use with this power head. Any such alteration or modification is misuse and could result in a hazardous condition leading to possibly serious personal injury.

**⚠ WARNING:** Always remove the battery pack from the product when you are assembling parts, making adjustments, cleaning, or when the product is not in use.

## UNPACKING

- This product requires assembly.
- Carefully remove the product and any accessories from the box. Make sure that all items listed in the packing list are included.

**⚠ WARNING:** Do not use this product if any parts on the Packing List are already assembled to your product when you unpack it. Parts on this list are not assembled to the product by the manufacturer and require customer installation. Use of a product that may have been improperly assembled could result in serious personal injury.

- Inspect the tool carefully to make sure that no breakage or damage occurred during shipping.
- Do not discard the packing material until you have carefully inspected and satisfactorily operated the tool.
- If any parts are damaged or missing, please return the product to the place of purchase.

## INSTALLING AN ATTACHMENT TO THE POWER HEAD

**⚠ WARNING:** Read and understand entire Operator's Manual for each optional attachment used on this power head and follow all warnings and instructions. Failure to follow all instructions could result in electric shock, fire and/or serious personal injury.

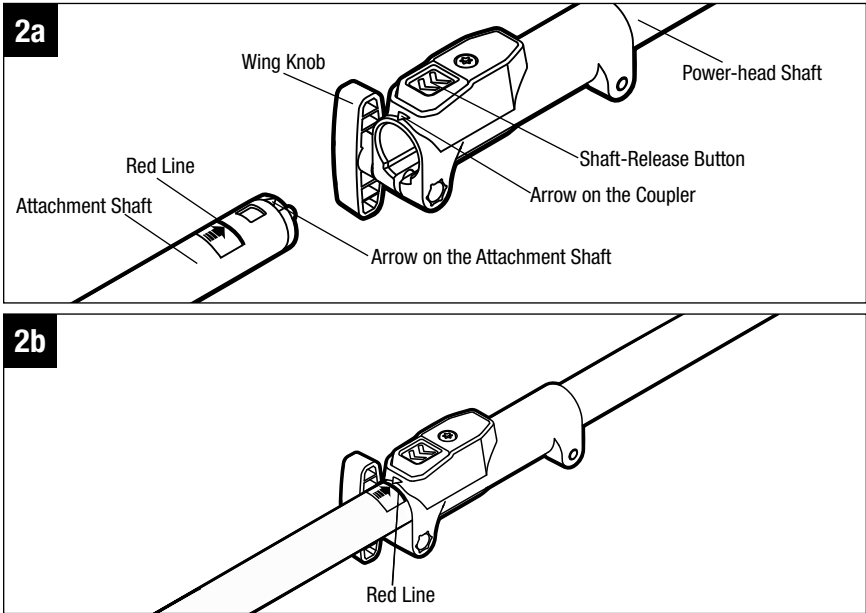
**⚠ WARNING:** This 56V power head PH1400 is designed to be used only with the EGO attachment models that are specified in this Operator's Manual or subsequently introduced by EGO for use with this power head. Use of other, unauthorized attachments could cause serious personal injuries or property damage.

**⚠ WARNING:** Some accessories have specific requirements related to safety. Always pay special attention to such instructions in the manual that accompanies each accessory.

**⚠ WARNING:** Never install, remove, or adjust any attachment while the power head is running or with the battery installed. Failure to stop the motor and remove the battery can cause serious personal injury. NEVER OPERATE THE POWER HEAD WITHOUT AN ATTACHMENT.

The attachment connects to the power head by means of a coupler device.

1. Stop the motor and remove the battery pack.
2. Loosen the wing knob.
3. Remove the end cap from the attachment and place it in a safe place for later use. Align the arrow on the attachment shaft with the arrow on the coupler (Fig. 2a) and push the attachment shaft into the coupler until you hear a clear "click" sound. The coupler should be positioned all the way to the RED LINE labeled on the shaft that the attachment shaft is properly mounted into place (Fig. 2b).



4. Pull the shaft of the attachment to verify that it is securely locked into the coupler. If not, rotate the attachment shaft from side to side in the coupler until it snaps into place.
5. Tighten the wing knob securely.

**⚠ WARNING:** Be certain that the wing knob is fully tightened before operating equipment; check it periodically for tightness during use to avoid serious personal injury.

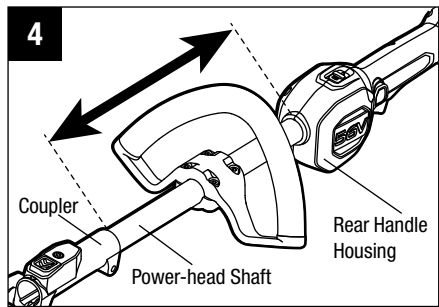
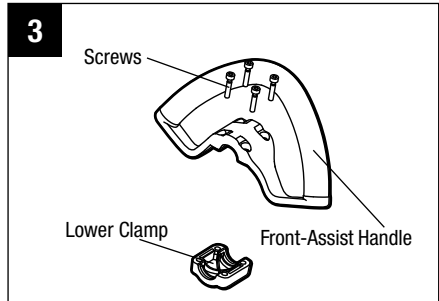
## REMOVING THE ATTACHMENT FROM THE POWER HEAD

1. Stop the motor and remove the battery pack.
2. Loosen the wing knob.
3. Press the shaft-release button and, with the button depressed, pull or twist the attachment shaft out of the coupler.

## MOUNTING AND ADJUSTING THE FRONT-ASSIST HANDLE

**⚠ WARNING:** Always remove the battery pack from the product when you are assembling parts, making adjustments, cleaning, or when the product is not in use.

1. Stop the motor and remove the battery pack, if installed.
2. Loosen the four screws in the front-assist handle with the supplied hex wrench and remove the screws and lower clamp from the front-assist handle (Fig. 3).
3. Attach the front-assist handle and lower clamp on the power-head shaft and secure them by pre-tightening the four screws. Turn the front-assist handle upwards so that it points toward the top of the rear handle (Fig. 4).



4. Adjust the front-assist handle position between the rear handle housing and the coupler on the power-head shaft (Fig. 4).
5. Tighten the four screws so that the handle cannot be rotated on the shaft.

**⚠ WARNING:** Never operate the tool without the front-assist handle firmly in place.



## OPERATION

**⚠ WARNING:** Do not allow familiarity with this product to make you careless. Remember that a careless fraction of a second is sufficient to inflict serious injury.

**⚠ WARNING:** Always wear safety goggles or safety glasses with side shield marked to comply with ANSI Z87.1. Failure to do so could result in objects being thrown into your eyes and other possible serious injuries.

**⚠ WARNING:** Do not use any attachments or accessories not recommended by the manufacturer of this product. The use of attachments or accessories not recommended can result in serious personal injury.

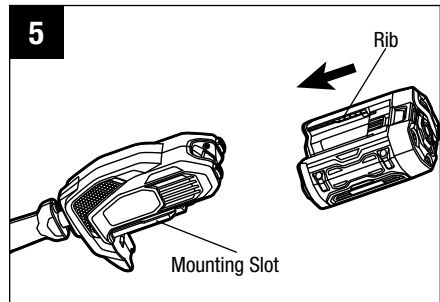
### INSTALLING/REMOVING THE BATTERY PACK

**⚠ WARNING:** Always remove the battery pack from the product when you are assembling parts, making adjustments, cleaning, or when not in use. Removing the battery pack will prevent accidental starting that could cause serious personal injury.

**NOTE:** Fully charge the battery pack before first use.

#### To install battery pack (Fig. 5)

1. Align the ribs of the battery pack with the mounting slots in the power head's battery port.
2. Press the battery pack towards the power head until it snaps into position.



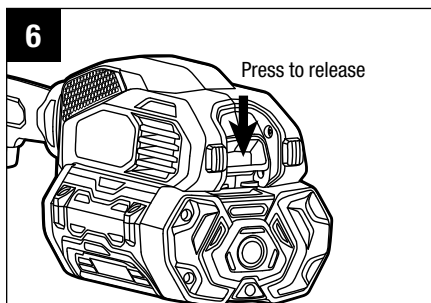
**NOTE:** Make sure that the latch on the bottom of the battery pack snaps in place and the battery pack is secured to the power head before beginning operation. Failure to securely seat the battery pack could cause the battery pack to fall out, resulting in serious personal injury.

## To remove battery pack (Fig. 6)

**⚠ WARNING:** Always be aware of the location of your feet and children or pets around you when pressing the battery-release button. Serious injury could result if the battery pack falls. NEVER remove the battery pack at a high location.

1. Hold the battery pack in the palm of your hand.
2. Press the battery-release button with your thumb; the battery pack will disengage from the latch.
3. Grasp the battery pack and remove it from the power head.

**⚠ WARNING:** To avoid serious personal injury, always remove the battery pack and keep hands clear of the lock-off button and trigger when carrying or transporting the tool.



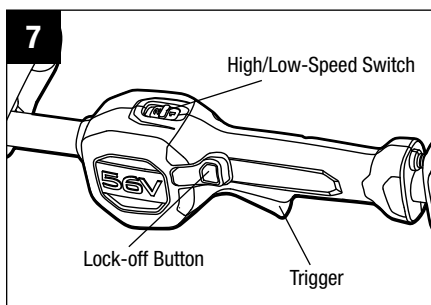
## STARTING/STOPPING THE POWER HEAD (Fig.7)

**⚠ WARNING:** NEVER OPERATE THE POWER HEAD WITHOUT AN ATTACHMENT. Do not attempt to start the power head without an attachment.

### To start the power head

1. Press the lock-off button down and hold it in that position. Depress the trigger to turn on the power head. Release the lock-off button and continue to squeeze the trigger for continued operation.
2. The rotational speed of the tool is controlled with the variable-speed trigger. More pressure on the trigger results in higher speed; less pressure on the trigger results in lower speed. Adjust the speed to suit the task at hand.

**NOTICE:** The motor runs only when the lock-off button and trigger are both pressed.



## Speed-Adjustment Function (Fig. 7)

The power head has two speeds. Position “1” is for low speed while Position “2” is for high speed. Push or pull the high/low-speed switch to choose the suitable speed during operation.

### To stop the power head

Release the trigger to stop the power head.

**⚠ WARNING:** Always remove the battery pack from the power head during work breaks and after finishing work.

## MAINTENANCE

**⚠ WARNING:** Before inspecting, cleaning or servicing the unit, stop the motor, wait for all moving parts to stop, and remove the battery pack. Failure to follow these instructions can result in serious personal injury or property damage.

**⚠ WARNING:** When servicing, use only identical replacement parts. Use of any other parts can create a hazard or cause product damage.

**NOTICE:** Before each use, inspect the entire product for damaged, missing, or loose parts such as screws, nuts, bolts, caps, etc. Tighten securely all fasteners and caps and do not operate this product until all missing or damaged parts are replaced. Please contact customer service or a qualified service center for assistance.

### GENERAL MAINTENANCE

Avoid using solvents when cleaning plastic parts. Most plastics are susceptible to damage from various types of commercial solvents and may be damaged by their use. Use clean cloths to remove dirt, dust, oil, grease, etc.

**⚠ WARNING:** Do not at any time let brake fluids, gasoline, petroleum-based products, penetrating oils, etc., come in contact with plastic parts. Chemicals can damage, weaken or destroy plastic which can result in serious personal injury.

### CLEANING THE POWER HEAD

1. Stop the motor and remove the battery pack.
2. Clean dirt and debris from the power head using a damp cloth with a mild detergent.

**NOTICE:** Do not use any strong detergents on the plastic housing or the handle. They can be damaged by certain aromatic oils such as pine and lemon, and by solvents such as kerosene.

### STORING THE POWER HEAD

1. Remove the battery pack from the power head before storing.
2. Clean all foreign material from the power head.
3. Store it in a place that is inaccessible to children.
4. Keep away from corrosive agents such as garden chemicals and de-icing salts.

# TROUBLESHOOTING

See the applicable attachment's operator's manual.



# WARRANTY

## EGO WARRANTY POLICY

5 year limited warranty on EGO outdoor power equipment and 3 year limited warranty on EGO Power+ System battery packs and chargers.

**Please contact EGO Customer Service Toll-Free at 1-855-EGO-5656** any time you have questions or warranty claims.

## LIMITED SERVICE WARRANTY

FOR FIVE YEARS from the date of original retail purchase, this EGO product is warranted against defects in material or workmanship. Defective product will receive free repair.

FOR THREE YEARS from the date of original retail purchase, the EGO Power+ System battery pack and charger are warranted against defects in material or workmanship. Defective product will receive free repair.

This warranty does not cover routine maintenance parts and consumables that can wear out from normal use within the warranty period.

- a) This warranty applies only to the original purchaser from an authorized EGO retailer and may not be transferred. Authorized EGO retailers are identified online at <http://egopowerplus.com/pages/warranty-policy>.
- b) The warranty period for any EGO product or part used for industrial, professional or commercial purpose is one year.
- c) This warranty is void if the product has been used for rental purpose.
- d) This warranty does not cover the damage resulting from modification, alteration or unauthorized repair or from use of any not recommended for use with this product.
- e) This warranty only covers defects arising under normal usage and does not cover any malfunction, failure or defect resulting from misuse, abuse (including overloading of the product beyond capacity and immersion in water or other liquid), accidents, neglect or lack of proper installation, and improper maintenance or storage.
- f) This warranty does not cover normal deterioration of the exterior finish, including but not limited to scratches, dents, paint chips, or to any corrosion or discoloring by heat, abrasive and chemical cleaners.

## **HOW TO OBTAIN SERVICE**

For warranty service, please contact EGO customer service toll-free at 1-855-EGO-5656. When requesting warranty service, you must present the original dated sales receipt. An authorized service center will be selected to repair the product according to the stated warranty terms.

## **ADDITIONAL LIMITATIONS**

To the extent permitted by applicable law, all implied warranties, including warranties of MERCHANTABILITY or FITNESS FOR A PARTICULAR PURPOSE, are disclaimed. Any implied warranties, including warranties of merchantability or fitness for a particular purpose, that cannot be disclaimed under state law are limited to five years from the date of purchase for outdoor power equipment and three years from date of purchase for battery pack and charger.

Chervon North America is not responsible for direct, indirect, incidental or consequential damages.

Some states do not allow limitations on how long an implied warranty lasts and/or do not allow the exclusion or limitation of incidental or consequential damages, so the above limitations may not apply to you.

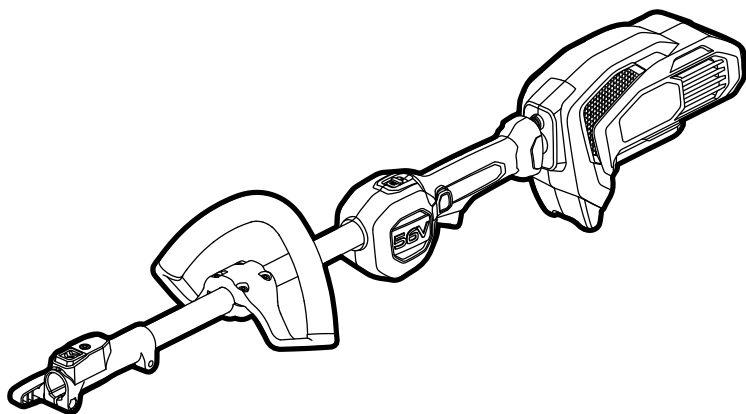
This warranty gives you specific legal rights, and you may also have other rights which vary from state to state.

For customer service contact us toll-free at: 1-855-EGO-5656 or [EGOPOWERPLUS.COM](http://EGOPOWERPLUS.COM)

EGO Customer Service, 120 Ionia Street SW / Suite 102 Grand Rapids, MI 49503

# EGO™

POWER<sup>+</sup> POWER HEAD



POUR UTILISATION AVEC DES PIÈCES JOINTES  
À LA TÊTE D'ALIMENTATION EGO POWER+

GUIDE D'UTILISATION

## TÊTE D'ALIMENTATION AU LITHIUM-ION DE 56 VOLTS

NUMÉRO DE MODÈLE PH1400

**⚠ AVERTISSEMENT :** Afin de réduire les risques de blessure, l'utilisateur doit lire et comprendre le guide d'utilisation avant d'utiliser ce produit. Conservez le présent guide afin de pouvoir le consulter ultérieurement.



# TABLE DES MATIÈRES

Symboles de sécurité .....	27
Consignes de sécurité .....	28-31
Introduction .....	32
Caractéristiques techniques .....	32
Liste des pièces contenues dans l'emballage .....	32
Description .....	33-35
Assemblage .....	36-39
Fonctionnement .....	40-42
Entretien .....	43-44
Dépannage .....	44
Garantie .....	45-46

## LISEZ TOUTES LES INSTRUCTIONS!



LIRE ET COMPRENDRE  
LE GUIDE D'UTILISATION

**⚠ AVERTISSEMENT:** Certaines poussières produites par l'utilisation d'outils de coupe électriques contiennent des produits chimiques reconnus par l'État de Californie comme causes de cancers, d'anomalies congénitales et de problèmes du système reproducteur. Voici des exemples de ces produits chimiques :

- Le plomb provenant de peintures à base de plomb;
- La silice cristallisée contenue dans les briques, le ciment et d'autres produits de maçonnerie; et
- L'arsenic et le chrome contenus dans le bois d'œuvre traité avec des produits chimiques.

Les risques liés à l'exposition à ces produits varient en fonction de la fréquence à laquelle vous effectuez ce type de travaux. Pour réduire votre exposition à ces produits chimiques, travaillez dans une zone bien ventilée et portez l'équipement de sécurité approuvé, comme les masques antipoussières conçus pour ne pas laisser passer les particules microscopiques.

# SYMBOLES DE SÉCURITÉ

L'objectif des symboles de sécurité est d'attirer votre attention sur les dangers potentiels. Vous devez examiner attentivement et bien comprendre les symboles de sécurité et les explications qui les accompagnent. Les symboles d'avertissement en tant que tels n'éliminent pas le danger. Les consignes et les avertissements qui y sont associés ne remplacent en aucun cas les mesures préventives adéquates.

**⚠ AVERTISSEMENT :** Avant d'utiliser cet outil, assurez-vous de lire et de comprendre toutes les consignes de sécurité présentées dans le présent guide d'utilisation, notamment toutes les consignes de sécurité indiquées par « **DANGER** », « **AVERTISSEMENT** » et « **MISE EN GARDE** ». Le non-respect des consignes de sécurité ci-dessous peut occasionner une décharge électrique, un incendie ou des blessures graves.

## SIGNIFICATION DES SYMBOLES

**⚠ SYMBOLE D'ALERTE DE SÉCURITÉ :** indique un **DANGER**, un **AVERTISSEMENT** ou une **MISE EN GARDE**. Il peut être associé à d'autres symboles ou pictogrammes.



**⚠ AVERTISSEMENT!** L'utilisation de tout outil électrique peut entraîner la projection de corps étrangers dans les yeux et ainsi causer des lésions oculaires graves. Avant d'utiliser un outil électrique, veillez à toujours porter des lunettes de sécurité couvrantes ou à écrans latéraux, ou un masque complet au besoin. Nous recommandons le port d'un masque de sécurité panoramique par-dessus les lunettes ou de lunettes de sécurité standard avec écrans latéraux. Portez toujours des lunettes de sécurité conformes à la norme ANSI Z87.1.

## CONSIGNES DE SÉCURITÉ

Vous trouverez ci-dessous les symboles de sécurité qui peuvent être présents sur le produit, accompagnés de leur description. Vous devez lire, comprendre et suivre toutes les instructions présentes sur l'appareil avant d'entamer son assemblage ou sa manipulation.

	Alerte de sécurité	Indique un risque de blessure.
	Lire et comprendre le guide d'utilisation	Afin de réduire les risques de blessure, l'utilisateur doit lire et comprendre le guide d'utilisation avant d'utiliser ce produit.
	Lunettes de sécurité	Lorsque vous utilisez l'article, portez toujours des lunettes de sécurité couvrantes ou à écrans latéraux, ou un masque complet.
	Symboles de recyclage	Le produit fonctionne à l'aide de piles au lithium-ion (Li-ion). La législation locale, provinciale ou fédérale peut interdire la mise au rebut des blocs-piles dans une poubelle ordinaire. Consultez l'organisme local de gestion des déchets au sujet des possibilités offertes en ce qui concerne la mise au rebut ou le recyclage.
IPX4	Indice de protection	Protection contre les éclaboussures d'eau
V	Volt	Tension
mm	Millimètre	Longueur ou taille
cm	Centimètre	Longueur ou taille
in.	Pouce	Longueur ou taille
kg	Kilogramme	Poids
lb	Livre	Poids
	Courant continu	Type de courant ou caractéristique de courant

## CONSIGNES DE SÉCURITÉ IMPORTANTES

**⚠ AVERTISSEMENT!** Lorsque vous utilisez des appareils électriques de jardinage, vous devez toujours suivre les consignes de sécurité élémentaires ci-dessous afin de réduire le risque d'incendie, de décharge électrique et de blessure.

### LISEZ TOUTES LES INSTRUCTIONS

**⚠ DANGER!** Ne comptez pas sur l'isolation de l'outil pour vous protéger des décharges électriques. Afin de réduire les risques d'électrocution, n'utilisez jamais l'outil à proximité de fils ou de câbles susceptibles d'être sous tension.

**⚠ MISE EN GARDE!** Portez des protecteurs d'oreilles appropriés lorsque vous utilisez l'outil. Dans certaines conditions et selon la durée d'utilisation, le bruit produit par cet article peut entraîner une perte auditive.

- **Évitez les environnements dangereux** - N'utilisez pas les appareils dans un endroit mouillé ou humide.
- **Maintenez les enfants à l'écart** - Tous les visiteurs doivent se tenir à distance de la zone de travail.
- **Habillez-vous convenablement** - Ne portez pas de vêtements amples ni de bijoux qui peuvent s'accrocher. Ils pourraient se coincer dans les pièces mobiles de l'outil. Le port de gants de caoutchouc et de chaussures adaptées est recommandé lorsque vous travaillez à l'extérieur. Portez une coiffe de protection pour retenir les cheveux longs.
- **Portez des lunettes de sécurité** - Portez toujours un masque de protection ou un masque antipoussières lorsque l'endroit est poussiéreux.
- **Utilisez l'outil adapté à la tâche** - N'utilisez pas l'outil à des fins autres que celles pour lesquelles il a été conçu.
- **Ne forcez pas l'outil** - Si vous l'utilisez au rythme approprié, il vous permettra de mieux accomplir le travail avec moins de risques de blessure.
- **Ne tendez pas les bras trop loin** - Gardez une position stable et un équilibre approprié en tout temps.
- **Restez attentif. Faites attention à ce que vous faites** - Faites preuve de bon sens. N'utilisez pas l'outil lorsque vous êtes fatigué.
- **Rangez les outils inutilisés à l'intérieur** - Lorsque vous n'utilisez pas les outils, rangez-les à l'intérieur, hors de portée des enfants, dans un endroit sec et en hauteur ou dans un endroit verrouillé, et retirez le bloc-pile.

- **Entretenez soigneusement l'outil** - Gardez l'outil propre pour obtenir un meilleur rendement et pour réduire les risques de blessure. Suivez les instructions de graissage et de changement d'accessoires. Les poignées doivent toujours être sèches, propres et exemptes d'huile ou de graisse.
- **Vérifiez si des pièces sont endommagées** - Avant d'utiliser l'outil, inspectez soigneusement les protecteurs ou les autres pièces endommagés pour déterminer s'ils peuvent fonctionner correctement et être utilisés normalement. Vérifiez l'alignement des pièces mobiles et leur fixation ainsi que l'état et l'assemblage des pièces, et recherchez tout autre problème pouvant nuire au fonctionnement de l'outil. Si un protecteur ou une autre pièce sont endommagés, ils doivent être réparés correctement ou remplacés par un centre de service autorisé à moins d'indications contraires dans le présent guide.
- **Ne rechargez pas le bloc-pile sous la pluie ni dans un endroit humide.**
- Utilisez le produit uniquement avec les blocs-piles et les chargeurs indiqués ci-dessous :

BLOC-PILE	CHARGEUR
BA1120, BA1400, BA2240, BA2800, BA4200	CH2100 CH5500

- **Cette tête d'alimentation PH1400 de 56 V peut seulement être utilisée avec les accessoires EGO suivants :**

TYPE D'ACCESSOIRE	NUMÉRO DE MODÈLE
Tige de rallonge	EP7500
Coupe-bordure	EA0800
Taille-bordure	STA1500
Scie à rallonge	PSA1000
Taille-haie	HTA2000

- **Ne jetez pas le bloc-pile au feu.** Les cellules pourraient exploser. Consultez la réglementation locale pour connaître les instructions de mise au rebut.
- **N'ouvrez pas et n'abîmez pas le bloc-pile.** L'électrolyte qu'il contient est corrosif et peut causer des lésions oculaires ou cutanées. Il peut être toxique s'il est ingéré.
- **Manipulez le bloc-pile avec soin pour ne pas créer un court-circuit avec des matériaux conducteurs comme des bagues, des bracelets ou des clés.** Le bloc-pile ou le conducteur peuvent surchauffer et causer des brûlures.

- **Pièces de rechange** - lorsque vous procédez à l'entretien, utilisez uniquement des pièces de remplacement EGO identiques aux pièces d'origine. L'utilisation de tout autre accessoire peut augmenter le risque de blessure.
- **Les outils munis d'un bloc-pile n'ont pas besoin d'être branchés sur une prise de courant.** Par conséquent, ils sont toujours prêts à l'emploi. Gardez à l'esprit qu'il existe des dangers potentiels même lorsque l'outil ne fonctionne pas. Soyez prudents lorsque vous effectuez l'entretien ou des réparations.
- **Enlevez ou débranchez le bloc-pile avant de procéder à l'entretien ou au nettoyage de l'outil ou d'en retirer du matériel.**
- **Ne nettoyez pas l'outil avec un jet d'eau, car de l'eau pourrait s'infiltrer dans le moteur et les connexions électriques.**
- **S'il se produit une situation qui ne figure pas dans le présent manuel, faites preuve de prudence et de jugement. Communiquez avec le centre de service à la clientèle d'EGO pour obtenir de l'aide.**
- **Conservez ces instructions.** Consultez-les régulièrement et utilisez-les pour expliquer le fonctionnement de l'outil à d'autres personnes qui l'utiliseraient. Si vous prêtez cet outil à une personne, prêtez-lui également ces instructions afin de prévenir un usage inapproprié et des blessures potentielles.

### **CONSERVEZ CES INSTRUCTIONS!**

**VOUS TROUVEREZ DES RÈGLES DE SÉCURITÉ SUPPLÉMENTAIRES  
DANS LE GUIDE D'UTILISATION DE L'ACCESSOIRE APPLICABLE**

## INTRODUCTION

Nous vous félicitons d'avoir choisi la tête d'alimentation EGO au lithium-ion de 56 volts. Elle a été conçue et fabriquée afin de vous offrir la meilleure fiabilité et le meilleur rendement possible.


Si vous éprouvez un problème que vous n'arrivez pas à régler facilement, veuillez communiquer avec le centre de service à la clientèle d'EGO au 1 855 EGO-5656.

Le présent guide contient des renseignements importants pour assembler, utiliser et entretenir en toute sécurité votre produit. Lisez-le soigneusement avant d'utiliser le produit. Conservez ce guide à portée de main afin de pouvoir le consulter à tout moment.

NUMÉRO DE SÉRIE \_\_\_\_\_ DATE D'ACHAT \_\_\_\_\_

NOUS VOUS RECOMMANDONS DE NOTER LE NUMÉRO DE SÉRIE ET LA DATE D'ACHAT ET DE LES CONSERVER EN LIEU SÛR AFIN DE POUVOIR LES CONSULTER ULTÉRIEUREMENT.

## CARACTÉRISTIQUES TECHNIQUES

Tension	56 V 
Poids	2,64 kg (5,82 lb)

## LISTE DES PIÈCES CONTENUES DANS L'EMBALLAGE

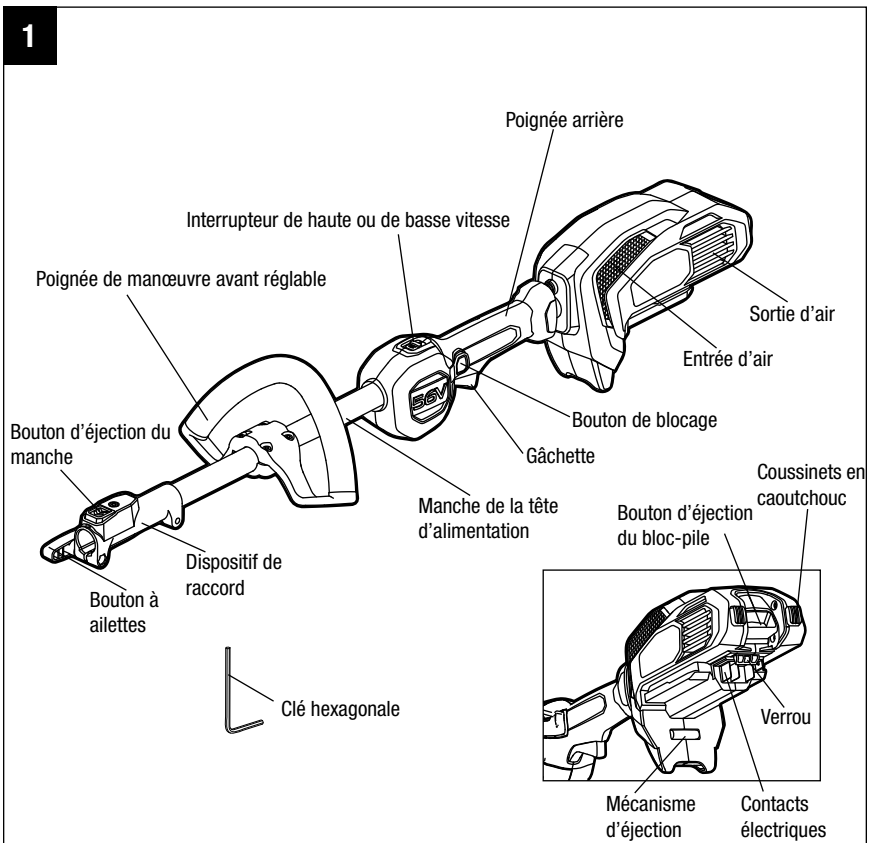
NOM DE PIÈCE	QUANTITÉ
Tête d'alimentation	1
Poignée de manœuvre avant réglable	1
Clé hexagonale	1
Guide d'utilisation	1



# DESCRIPTION

## FAMILIARISEZ-VOUS AVEC VOTRE TÊTE D'ALIMENTATION (Fig. 1)

Pour utiliser ce produit en toute sécurité, vous devez comprendre les renseignements le concernant contenus dans ce guide d'utilisation et connaître le projet que vous entreprenez. Avant d'utiliser ce produit, familiarisez-vous avec toutes les caractéristiques de fonctionnement et consignes de sécurité.



## **POIGNÉE DE MANŒUVRE AVANT RÉGLABLE**

S'ajuste pour faciliter le fonctionnement et aider à prévenir les pertes de contrôle.

## **POIGNÉE ARRIÈRE**

Poignée ergonomique surmoulée améliorant le confort et la prise.

## **BOUTON DE BLOPAGE**

Aide à prévenir l'activation accidentelle ou non autorisée de la gâchette. Il doit être maintenu enfoncé afin d'enclencher la gâchette.

## **INTERRUPTEUR À VITESSE VARIABLE**

Permet de mettre en marche et d'arrêter l'outil, et d'en contrôler la vitesse.

## **INTERRUPTEUR DE HAUTE OU DE BASSE VITESSE**

Permet des vitesses élevées ou faibles pour différentes tâches selon les besoins.

## **DISPOSITIF DE RACCORD**

Aide à brancher rapidement le manche des accessoires.

## **BOUTON D'ÉJECTION DU MANCHE**

Sert à éjecter le manche de l'accessoire.

## **BOUTON À AILETTES**

Permet de serrer le dispositif de raccord et le branchement du manche de l'accessoire.

## **BOUTON D'ÉJECTION DU BLOC-PILE**

Permet de dégager le bloc-pile de l'outil.

## **VERROU**

Permet de bloquer le bloc-pile lorsque celui-ci est installé sur le taille-bordure.

## **MÉCANISME D'ÉJECTION**

Aide à retirer le bloc-pile.

## **TAMPON EN CAOUTCHOUC**

Permet de protéger le boîtier des impacts pendant l'utilisation.

## ASSEMBLAGE

**⚠ AVERTISSEMENT :** S'il y a des pièces manquantes ou endommagées, ne tentez pas d'utiliser ce produit tant que ces pièces n'auront pas été remplacées. L'utilisation de ce produit avec des pièces endommagées ou manquantes peut causer des blessures graves.

**⚠ AVERTISSEMENT :** Ne tentez pas de modifier ce produit ni de créer des accessoires qui ne sont pas recommandés pour cette scie à rallonge. Toute altération ou modification de ce type constitue un usage inapproprié et peut engendrer une situation dangereuse susceptible de causer des blessures graves.

**⚠ AVERTISSEMENT :** Enlevez toujours le bloc-pile de l'outil lorsque vous assemblez des pièces, procédez à des ajustements ou à son nettoyage ou lorsque le produit n'est pas utilisé.

## DÉBALLAGE

- Ce produit doit être assemblé.
- Retirez soigneusement le produit et toutes les pièces de l'emballage. Assurez-vous que toutes les pièces mentionnées sur la liste des pièces sont présentes.

**⚠ AVERTISSEMENT :** N'utilisez pas ce produit si l'une ou l'autre des pièces figurant sur la liste des pièces est déjà assemblée à votre produit lors du déballage. Les pièces de cette liste ne sont pas assemblées au produit par le fabricant et doivent être installées par le client. L'utilisation d'un produit mal assemblé pourrait occasionner des blessures graves.

- Inspectez soigneusement l'outil pour vérifier qu'il n'a pas été endommagé pendant l'expédition.
- Ne jetez pas le matériel d'emballage avant d'avoir inspecté soigneusement l'outil et de l'avoir fait fonctionner de manière satisfaisante.
- S'il y a des pièces manquantes ou endommagées, veuillez retourner le produit à l'endroit où vous l'avez acheté.

## INSTALLATION D'UN ACCESSOIRE SUR LA TÊTE D'ALIMENTATION

**⚠ AVERTISSEMENT :** Assurez-vous de lire et de comprendre l'intégralité du guide d'utilisation pour chaque accessoire en option utilisé sur cette tête d'alimentation et respectez tous les avertissements et les instructions. Le non-respect des consignes de sécurité peut occasionner une décharge électrique, un incendie ou des blessures graves.

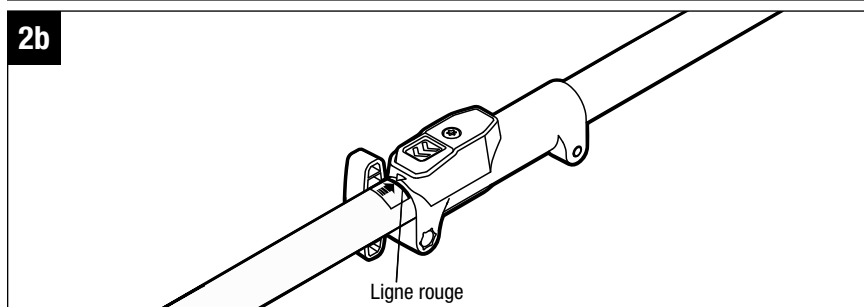
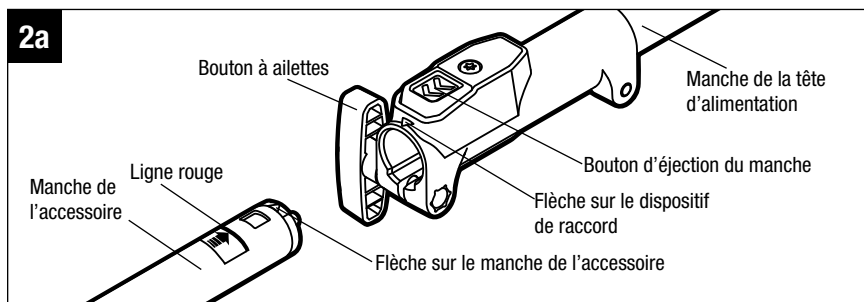
**⚠ AVERTISSEMENT :** Cette tête d'alimentation PH1400 de 56 V est conçue pour être utilisée uniquement avec les modèles d'accessoires EGO précisés dans ce guide d'utilisation ou introduits par la suite par EGO pour une utilisation avec cette tête d'alimentation. L'utilisation d'autres accessoires non autorisés pourrait causer des blessures graves ou des dommages matériels.

**⚠ AVERTISSEMENT :** Certains accessoires ont des exigences particulières liées à la sécurité. Portez toujours une attention particulière aux instructions du manuel qui accompagne chaque accessoire.

**⚠ AVERTISSEMENT :** Ne jamais installer, retirer ou ajuster un accessoire pendant que la tête d'alimentation est en marche ou que le bloc-pile est en place. Laisser le moteur fonctionner et garder le bloc-pile en place peut entraîner de graves blessures. **NE FAITES JAMAIS FONCTIONNER LA TÊTE D'ALIMENTATION SANS ACCESSOIRE.**

L'accessoire se branche à la tête d'alimentation grâce à un dispositif de raccord.

1. Arrêtez le moteur et enlevez le bloc-pile.
2. Desserrez le bouton à ailettes.
3. Retirez l'embout amovible et placez-le à un endroit sûr pour une utilisation ultérieure. Alignez la flèche du manche sur la flèche du dispositif de raccord (figure 6a) et poussez le manche dans le dispositif jusqu'à ce qu'un déclic se fasse entendre. Pour une fixation adéquate du manche, le dispositif de raccord doit être enfoncé jusqu'à la LIGNE ROUGE sur l'étiquette du manche (figure 6b).



4. Tirez sur le manche de l'accessoire pour vous assurer qu'il est bien verrouillé dans le dispositif de raccord. Si ce n'est pas le cas, faites tourner le manche de l'accessoire de gauche à droite jusqu'à ce qu'il se verrouille dans le dispositif de raccord.
5. Serrez fermement le bouton à ailettes.

**⚠ AVERTISSEMENT :** Assurez-vous que le bouton à ailettes est serré fermement avant de manipuler l'outil. Inspectez-le régulièrement pendant l'utilisation pour vous assurer qu'il reste serré et pour prévenir des blessures graves.

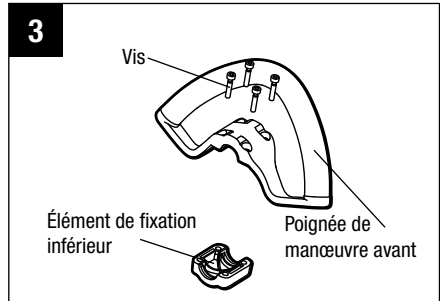
## RETRAIT DE L'ACCESSOIRE DE LA TÊTE D'ALIMENTATION

1. Arrêtez le moteur et enlevez le bloc-pile.
2. Desserrez le bouton à ailettes.
3. Appuyez sur le bouton d'éjection du manche et, en le gardant enfoncé, tirez ou tournez le manche de l'accessoire pour le dégager du dispositif de raccord.

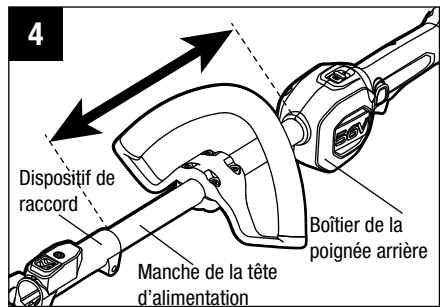
## INSTALLATION ET RÉGLAGE DE LA POIGNÉE DE MANŒUVRE AVANT

**⚠ AVERTISSEMENT :** Enlevez toujours le bloc-piles de l'outil lorsque vous assemblez des pièces, procédez à des ajustements ou à son nettoyage ou lorsque le produit n'est pas utilisé.

1. Arrêtez le moteur et enlevez le bloc-pile, s'il est installé.
2. Desserrez les quatre vis de la poignée de manœuvre avant à l'aide de la clé hexagonale fournie, puis retirez les vis et l'élément de fixation inférieur de la poignée de manœuvre avant (Fig. 3).



3. Placez la poignée de manœuvre avant et l'élément de fixation inférieur sur le manche de la tête d'alimentation et fixez-les sans serrer complètement les quatre vis. Tournez la poignée de manœuvre avant en l'orientant vers le haut de façon à ce qu'elle pointe vers le haut de la poignée arrière (Fig. 4).
4. Réglez la position de la poignée de manœuvre avant entre le boîtier de la poignée arrière et le dispositif de raccord sur le manche de la tête d'alimentation (Fig. 4)
5. Vissez fermement les quatre vis afin que la poignée ne tourne pas sur le manche.



**⚠ AVERTISSEMENT :** N'utilisez jamais l'outil si la poignée de manœuvre avant n'est pas fixée fermement.

## FONCTIONNEMENT

**⚠ AVERTISSEMENT :** Ne laissez pas votre bonne connaissance du produit vous rendre négligent. N'oubliez pas qu'une fraction de seconde d'inattention suffit à se blesser gravement.

**⚠ AVERTISSEMENT :** Portez toujours des lunettes de sécurité couvrantes ou à écrans latéraux conformes à la norme ANSI Z87.1. Sinon, vous pourriez recevoir des débris dans les yeux et vous blesser gravement.

**⚠ AVERTISSEMENT :** N'utilisez pas de pièces ni d'accessoires qui ne sont pas recommandés par le fabricant de ce produit. L'utilisation de pièces ou d'accessoires non recommandés peut causer des blessures graves.

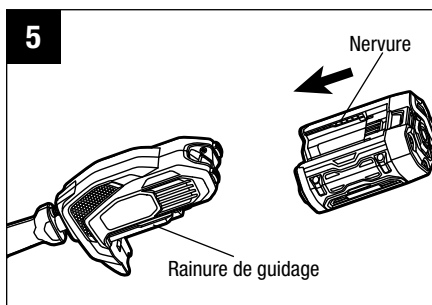
### INSTALLATION ET RETRAIT DU BLOC-PILE

**⚠ AVERTISSEMENT :** Enlevez toujours le bloc-pile de l'outil lorsque vous assemblez des pièces, procédez à des ajustements ou à son nettoyage ou lorsque l'article n'est pas utilisé. Le retrait du bloc-pile permet de prévenir une mise en marche accidentelle pouvant occasionner des blessures graves.

**REMARQUE :** Chargez le bloc-pile au maximum avant sa première utilisation.

#### Installation du bloc-pile (Fig. 5)

1. Alignez les nervures du bloc-pile sur les rainures de montage situées dans le port du bloc-pile de la tête d'alimentation.
2. Appuyez sur le bloc-pile en direction de la tête d'alimentation jusqu'à ce qu'il s'enclenche en position.

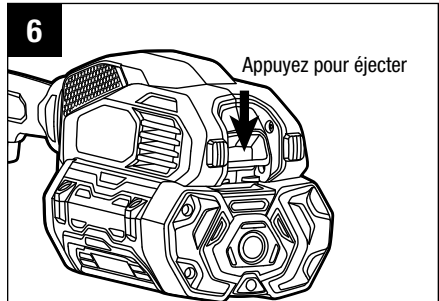


**REMARQUE :** Avant d'utiliser l'outil, assurez-vous que le bas du bloc-pile s'enclenche et que le bloc-pile est solidement fixé à la tête d'alimentation. Ne pas bien fixer le bloc-pile peut faire tomber ce dernier et entraîner des blessures graves.



## Retrait du bloc-pile (Fig. 6)

**⚠ AVERTISSEMENT :** Soyez toujours conscient de l'emplacement de vos pieds, de vos enfants et de vos animaux de compagnie lorsque vous appuyez sur le bouton d'éjection du bloc-pile. La chute du bloc-pile pourrait causer des blessures graves. **NE retirez JAMAIS** le bloc-pile lorsque vous êtes en hauteur.

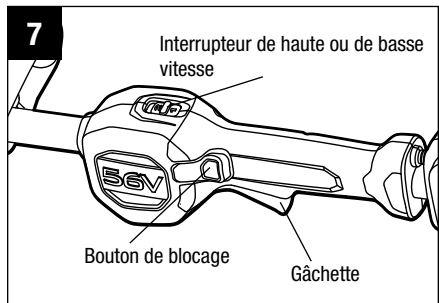


1. Tenez le bloc-pile dans la paume de la main.
2. Pour libérer le bloc-pile du verrou, appuyez sur le bouton d'éjection du bloc-pile avec le pouce.
3. Saisissez le bloc-pile et retirez-le de la tête d'alimentation.

**⚠ AVERTISSEMENT :** Afin de prévenir les blessures graves, retirez toujours le bloc-piles et gardez les mains à distance du bouton de déverrouillage et de la gâchette lorsque vous transportez ou entreposez l'outil.

## MISE EN MARCHÉ ET ARRÊT DE LA TÊTE D'ALIMENTATION (Fig. 7)

**⚠ AVERTISSEMENT :** N'UTILISEZ JAMAIS LA TÊTE D'ALIMENTATION SANS ACCESSOIRE. Ne tentez pas de démarrer la tête d'alimentation sans accessoire.



### Pour mettre en marche la tête d'alimentation

1. Appuyez sur le bouton de blocage et maintenez-le enfoncé. Pressez la gâchette pour mettre en marche la tête d'alimentation. Relâchez le bouton de blocage et gardez la gâchette enfoncée pour utiliser l'outil de façon continue.

2. La gâchette à vitesse variable permet de contrôler la vitesse de rotation de l'outil. Une pression plus grande sur la gâchette procure une vitesse plus élevée tandis qu'une pression plus faible amène une vitesse réduite. Réglez la vitesse en fonction de la tâche à accomplir.

**AVIS :** Le moteur ne tourne que lorsque le bouton de blocage et la gâchette sont enclenchés simultanément.

### **Fonction de réglage de vitesse (Fig. 7)**

La tête d'alimentation est dotée de deux vitesses. La position « 1 » est pour une vitesse faible tandis que la position « 2 » est conçue pour une vitesse élevée. Poussez l'interrupteur de haute ou de basse vitesse ou tirez sur ce dernier pour choisir la vitesse appropriée pendant le fonctionnement.

### **Pour arrêter la tête d'alimentation**

Relâchez la gâchette pour arrêter la tête d'alimentation.

**⚠ AVERTISSEMENT :** Retirez toujours le bloc-pile de la tête d'alimentation lorsque vous faites des pauses et une fois que vous avez terminé de l'utiliser.

## ENTRETIEN

**⚠ AVERTISSEMENT :** Avant d'inspecter, de nettoyer ou d'effectuer l'entretien de l'unité, arrêtez le moteur, attendez que toutes les pièces mobiles s'arrêtent et retirez le bloc-pile. Le non-respect de ces directives peut entraîner des blessures graves ou des dommages matériels.

**⚠ AVERTISSEMENT :** Lorsque vous procédez à l'entretien de l'outil, utilisez uniquement des pièces de remplacement identiques à celles d'origine. L'utilisation de toute autre pièce peut constituer un danger ou endommager le produit.

**AVIS :** Avant chaque utilisation, inspectez l'intégralité du produit pour vérifier s'il y a des pièces endommagées, manquantes ou lâches, comme des vis, des boulons, des écrous, des capuchons, etc. Fixez fermement toutes les attaches et tous les capuchons et ne faites pas fonctionner ce produit avant que toutes les pièces manquantes ou endommagées aient été remplacées. Veuillez communiquer avec le service à la clientèle ou un centre de service qualifié pour obtenir de l'aide.

### ENTRETIEN GÉNÉRAL

Évitez d'utiliser des solvants sur les pièces en plastique. La plupart des plastiques sont susceptibles d'être endommagés par divers types de solvants commerciaux. Utilisez un linge propre pour enlever la saleté, la poussière, l'huile, la graisse, etc.

**⚠ AVERTISSEMENT :** Ne laissez en aucun temps du liquide pour freins, de l'essence, des produits à base de pétrole, des huiles dégrippantes et autres produits de ce genre entrer en contact avec les pièces en plastique. Les produits chimiques peuvent endommager, affaiblir ou détruire le plastique et engendrer ainsi des risques de blessures graves.

### NETTOYAGE DE LA TÊTE D'ALIMENTATION

1. Arrêtez le moteur et enlevez le bloc-pile.
2. Nettoyez la saleté et les débris de la tête d'alimentation au moyen d'un linge humide et d'un détergent doux.

**AVIS :** N'utilisez pas de détergents puissants pour nettoyer le boîtier en plastique ni la poignée. Certaines huiles aromatiques, comme le pin et le citron, et certains solvants, comme le kérosène, peuvent les endommager.

## REMISAGE DE LA TÊTE D'ALIMENTATION

1. Retirez le bloc-pile de la tête d'alimentation avant de l'entreposer.
2. Nettoyez toute matière étrangère de la tête d'alimentation.
3. Rangez-la dans un endroit auquel les enfants n'ont pas accès.
4. Rangez-la à l'écart des agents corrosifs, comme des produits chimiques de jardinage ou des sels de déglacage.

## DÉPANNAGE

Consultez le guide d'utilisation de l'accessoire applicable.

# GARANTIE

## POLITIQUE D'EGO EN MATIÈRE DE GARANTIE

Garantie limitée de cinq ans pour l'équipement électrique d'extérieur EGO et de trois ans pour les chargeurs et les blocs-piles EGO Power+.

**Veillez communiquer avec le service à la clientèle EGO au numéro sans frais 1 855 EGO-5656** pour toute question sur les réclamations au titre de la garantie.

## GARANTIE LIMITÉE D'ENTRETIEN

À compter de la date d'achat originale, ce produit EGO est garanti **PENDANT CINQ ANS** contre les défauts de matériaux et de fabrication. Les produits défectueux seront réparés gratuitement.

À compter de la date d'achat originale, le chargeur et le bloc-pile EGO Power+ sont garantis **PENDANT TROIS ANS** contre les défauts de matériaux et de fabrication. Les produits défectueux seront réparés gratuitement.

Cette garantie ne couvre pas le matériel et les pièces d'entretien régulier qui peuvent s'user avec une utilisation normale pendant la période de garantie.

- a) Cette garantie s'applique uniquement à l'acheteur initial s'étant procuré le produit chez un détaillant EGO autorisé et est non transférable. <http://egopowerplus.com/pages/warranty-policy>.
- b) La période de garantie pour toute pièce ou tout produit EGO utilisé à des fins industrielles, professionnelles ou commerciales est de un an.
- c) Cette garantie n'est pas valable si le produit a été utilisé à des fins de location.
- d) Cette garantie ne couvre pas les dommages résultant d'une modification, d'une altération ou d'une réparation non autorisée.
- e) Cette garantie couvre uniquement les défauts survenant dans le cadre d'une utilisation normale et ne couvre aucun dysfonctionnement ou défaut ni aucune défaillance découlant d'un usage inapproprié ou abusif (notamment la surcharge du produit et l'exposition à l'eau ou à la pluie), d'un accident, d'une négligence, d'une d'installation inadéquate et de tout entretien ou entreposage inadéquat.

- f) Cette garantie ne couvre pas la détérioration normale du fini extérieur, notamment les rayures, bosselures, craquelures de la peinture ou toute corrosion ou décoloration résultant de la chaleur, de produits abrasifs et de nettoyeurs chimiques.

## COMMENT OBTENIR DES SERVICES D'ENTRETIEN

Pour un entretien sous garantie, veuillez communiquer avec le service à la clientèle EGO au numéro sans frais 1 855 EGO-5656. Lorsque vous demandez un entretien sous garantie, vous devez présenter le reçu de vente original. Un centre de service autorisé sera sélectionné pour la réparation du produit conformément aux conditions de garantie prescrites.

## RESTRICTIONS SUPPLÉMENTAIRES

Dans les limites prescrites par la législation locale, toutes les garanties implicites, notamment les garanties de QUALITÉ MARCHANDE ou d'ADÉQUATION POUR UN USAGE PARTICULIER, sont non valides. Toute garantie implicite, notamment les garanties de qualité marchande ou d'adéquation pour un usage particulier, qui ne peut être déclinée en vertu de la législation provinciale est limitée à cinq ans à compter de la date d'achat pour l'équipement électrique d'extérieur et à trois ans à compter de la date d'achat pour les chargeurs et blocs-piles.

Chervon North America n'est pas responsable des dommages accessoires, consécutifs, indirects ou directs.

Certaines provinces n'autorisent pas les restrictions de durée de garantie implicite, ou l'exclusion ou la restriction des dommages consécutifs et accessoires, c'est pourquoi les restrictions ci-dessus peuvent ne pas s'appliquer à votre cas.

Cette garantie vous confère des droits précis. Il est possible que vous disposiez également d'autres droits, qui varient d'une province à l'autre.

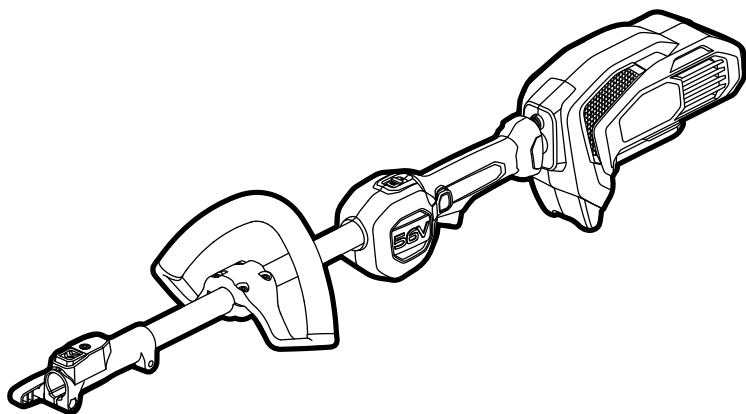
Pour communiquer avec le service à la clientèle, veuillez composer le numéro sans frais suivant :

**1 855 EGO-5656 ou consulter le site Web [EGOPOWERPLUS.COM](http://EGOPOWERPLUS.COM).**

EGO Customer Service, 120 Ionia Street SW / Suite 102 Grand Rapids, MI 49503

# EGO™

POWER<sup>+</sup> POWER HEAD



PARA USO CON LOS ACCESORIOS DEL  
CABEZAL MOTOR EGO POWER+

MANUAL DEL USUARIO

## CABEZAL MOTOR CON BATERÍA DE IONES DE LITIO DE 56 VOLTIOS

MODELO NÚMERO PH1400

**⚠ ADVERTENCIA:** para reducir el riesgo de lesiones, el usuario debe leer y comprender el Manual del usuario antes de usar este producto. Guarde estas instrucciones para consultarlas en el futuro.

# ÍNDICE

Símbolos de seguridad .....	50
Instrucciones de seguridad .....	51-54
Introducción .....	54
Especificaciones .....	55
Lista de empaque .....	55
Descripción .....	56-58
Ensamblaje .....	59-62
Funcionamiento .....	63-65
Mantenimiento .....	66-67
Solución de problemas .....	67
Garantía .....	68-69



# ¡LEA TODAS LAS INSTRUCCIONES!



LEA Y COMPRENDA EL  
MANUAL DEL USUARIO

**⚠ ADVERTENCIA:** El corte con máquinas produce algunos tipos de polvo que contienen sustancias químicas que el Estado de California considera cancerígenas o causantes de defectos de nacimiento u otros daños al aparato reproductor. Algunos ejemplos de estas sustancias químicas son los siguientes:

- Plomo de pinturas a base de plomo;
- Sílice cristalina de ladrillos, cemento y otros productos de mampostería; y
- Arsénico y cromo de madera tratada químicamente.

El riesgo de sufrir estas exposiciones varía según la frecuencia con que realice este tipo de trabajo. Medidas para reducir la exposición a estos químicos: trabaje en un lugar bien ventilado y con equipos de seguridad aprobados, como las mascarillas antipolvo que están diseñadas especialmente para filtrar partículas microscópicas.

## SÍMBOLOS DE SEGURIDAD

El propósito de los símbolos de seguridad es alertarlo sobre posibles peligros. Los símbolos de seguridad y sus explicaciones merecen una atención y comprensión minuciosas. Las advertencias de los símbolos, por sí mismas, no eliminan los peligros. Las instrucciones y las advertencias no sustituyen las medidas de prevención de accidentes que correspondan.

**⚠ ADVERTENCIA:** Asegúrese de leer y comprender todas las instrucciones de seguridad que contiene este Manual del usuario, incluidos todos los símbolos de alerta de seguridad como “PELIGRO”, “**ADVERTENCIA**” y “**PRECAUCIÓN**” antes de usar esta herramienta. No seguir todas las instrucciones que se indican a continuación podría resultar en descargas eléctricas, incendios y/o lesiones personales graves.

### SIGNIFICADO DE LOS SÍMBOLOS

**⚠ SÍMBOLO DE ALERTA DE SEGURIDAD:** Indica **PELIGRO**, **ADVERTENCIA** O **PRECAUCIÓN**. Puede aparecer junto con otros símbolos o pictografías.



**⚠ ¡ADVERTENCIA!** La utilización de herramientas eléctricas puede hacer que algunos objetos extraños golpeen los ojos y cause heridas graves. Antes de comenzar a operar una herramienta eléctrica, use siempre gafas protectoras o gafas de seguridad con blindaje lateral y un protector facial si es necesario. Le recomendamos usar una máscara de seguridad de visión amplia sobre anteojos o gafas de seguridad estándar con protección lateral. Use siempre lentes de protección con la marca de cumplimiento de la norma ANSI Z87.1.

# INSTRUCCIONES DE SEGURIDAD

Esta página muestra y describe los símbolos de seguridad que pueden aparecer en este producto. Lea, comprenda y siga todas las instrucciones de la máquina antes de ensamblarla y utilizarla.

	Alerta de seguridad	Indica un peligro potencial de producir lesiones.
	Lea y comprenda el Manual del usuario	Para reducir el riesgo de lesiones, el usuario debe leer y comprender el Manual del usuario antes de usar este producto.
	Lentes de protección	Use siempre gafas de seguridad o anteojos con protección lateral y un protector facial al operar este producto.
	Símbolos de reciclaje	Este producto usa baterías de iones de litio. Es posible que las leyes municipales, provinciales o nacionales prohíban desechar las baterías con los residuos comunes. Consulte a la autoridad local en materia de residuos sobre las opciones de eliminación y reciclaje disponibles.
IPX4	Grado de protección de admisión	Protección contra salpicaduras de agua
V	Voltio	Voltaje
mm	Milímetro	Longitud o tamaño
cm	Centímetro	Longitud o tamaño
in.	Pulgada	Longitud o tamaño
kg	Kilogramo	Peso
lb	Libra	Peso
	Corriente continua	Tipo o característica de la corriente

## INSTRUCCIONES IMPORTANTES DE SEGURIDAD

**⚠ ADVERTENCIA!** Al usar artefactos eléctricos de jardinería, las precauciones básicas de seguridad deberán respetarse para reducir el riesgo de incendios, descargas eléctricas y lesiones personales; entre ellas se incluyen:

### LEA TODAS LAS INSTRUCCIONES

**⚠ ¡PELIGRO!** No dependa del aislamiento de la herramienta para evitar las descargas eléctricas. Para reducir el riesgo de electrocución, nunca opere la herramienta en las cercanías de cables que conducen corriente eléctrica.

**⚠ ¡PRECAUCIÓN!** Use protección auditiva personal adecuada durante la manipulación. Bajo algunas condiciones y periodos de uso, el ruido de este producto podría contribuir a la pérdida de la audición.

- **Evite entornos peligrosos** - no use la herramienta en lugares húmedos o mojados.
- **Mantenga a los niños alejados** - todos los visitantes deben mantenerse alejados del área de trabajo.
- **Vístase de manera adecuada** - no use ropa holgada ni joyas. Estas pueden quedar atascadas en las piezas móviles. Se recomienda usar guantes y calzado de goma para trabajar en exteriores. Use protección para el cabello a fin de contener el cabello largo.
- **Use gafas de seguridad** - use siempre una máscara o mascarilla antipolvo si trabajará en una zona con mucho polvo.
- **Use la herramienta adecuada** - no use la herramienta para ninguna otra tarea que no sea la prevista.
- **No fuerce el aparato** - esta máquina funcionará mejor y con menos probabilidades de producir lesiones si se usa al ritmo para el cual se diseñó.
- **No se extralimite** - mantenga el punto de apoyo y el equilibrio adecuado en todo momento.
- **Manténgase alerta** - concéntrese en lo que hace. Use el sentido común. No opere el aparato si está cansado.
- **Guarde los aparatos en el interior** - cuando no esté en uso, los aparatos debe guardarse en interiores, en un lugar seco y alto o bajo llave, sin el paquete de baterías y fuera del alcance de los niños.
- **Cuide su aparato** - mantenga el aparato limpio para obtener mejores resultados

y reducir el riesgo de lesiones. Siga las instrucciones para lubricar y cambiar los accesorios. Mantenga las manijas limpias, secas y libres de aceite y grasa.

- **Revise las piezas dañadas** - antes de continuar con la operación del producto, se deben revisar con cuidado las protecciones u otras piezas dañadas a fin de determinar si funcionan correctamente y cumplen su función específica. Compruebe la alineación de las piezas móviles, que las piezas no estén dobladas o rotas, que el montaje sea el correcto y cualquier otra condición que pueda afectar el funcionamiento. Las protecciones u otras piezas dañadas deben repararse de manera adecuada o cambiarse en un centro de servicio autorizado, a menos que se indique lo contrario en este manual.
- **No cargue el paquete de baterías bajo la lluvia o en lugares húmedos.**
- **Use solamente con el paquete de baterías y el cargador que se indican a continuación:**

PAQUETES DE BATERÍAS	CARGADOR
BA1120, BA1400, BA2240, BA2800, BA4200	CH2100 CH5500

- **El cabezal motor PH1400 de 56 v se puede usar con solo los siguientes accesorios de EGO:**

TIPO DE ACCESORIO	NÚMERO DE MODELO
Pértiga de extensión	EP7500
Bordeadora	EA0800
Orilladora de hilo	STA1500
Podadora de altura	PSA1000
Cortadora de orillas	HTA2000

- **No arroje las baterías al fuego.** Las células pueden explotar. Consulte los códigos locales para conocer las posibles instrucciones de desecho especiales.
- **No abra ni rompa la batería.** Los electrolitos liberados son corrosivos y pueden causar daños en los ojos o la piel. Si se tragan pueden ser tóxicos.
- **Manipule las baterías con cuidado para no acortar su vida útil con materiales conductores como anillos, brazaletes y llaves.** La batería o el conductor podrían sobrecalentarse y producir quemaduras.
- **Piezas de repuesto** - Al realizar mantenimiento, utilice solo piezas de repuesto EGO idénticas. El uso de cualquier otro accesorio puede aumentar el riesgo de lesiones.

- **Las herramientas a batería no necesitan estar conectadas a un enchufe, por lo tanto siempre se encuentran en condiciones de funcionar.** Conozca los peligros posibles que existen aun cuando la herramienta no esté en funcionamiento. Tenga cuidado al realizarle mantenimiento o repararla.
- **Retire o desconecte el paquete de baterías antes de hacer el mantenimiento, limpiar o retirar material de la cortadora de césped.**
- **No lave el producto con una manguera; evite que el motor y las conexiones eléctricas se mojen.**
- **Si se presentan situaciones que no están previstas en este manual, tenga cuidado y use el sentido común. Póngase en contacto con el Centro de Servicio al Cliente de EGO para recibir ayuda.**
- **Guarde estas instrucciones.** Consúltelas con frecuencia y úselas para dar instrucciones a otras personas que puedan usar esta herramienta. Si le presta esta herramienta a alguien, préstele también estas instrucciones para evitar el mal uso del producto y posibles lesiones.

### **GUARDE ESTAS INSTRUCCIONES.**

**EN EL MANUAL DEL USUARIO CORRESPONDIENTE AL ACCESORIO SE PUEDEN ENCONTRAR NORMAS ESPECÍFICAS DE SEGURIDAD ADICIONALES.**

## **INTRODUCCIÓN**

Felicitaciones por elegir el cabezal motor EGO de iones de litio de 56 voltios. Este está pensado, diseñado y fabricado para brindarle el mejor rendimiento y la mejor confiabilidad posibles.

En caso de que tuviera algún problema que no pudiera resolver fácilmente, póngase en contacto con el Centro de Servicio al Cliente de EGO al 1-855-EGO-5656.

Este manual contiene información importante para el ensamblaje, la operación y el mantenimiento seguro de su producto. Léalo atentamente antes de usar el producto. Mantenga este manual a mano para poder consultarlo en cualquier momento.

NÚMERO DE SERIE \_\_\_\_\_ FECHA DE COMPRA \_\_\_\_\_

DEBE ANOTAR EL NÚMERO DE SERIE Y LA FECHA DE COMPRA Y CONSERVARLOS EN UN LUGAR SEGURO PARA CONSULTARLOS EN EL FUTURO.

## ESPECIFICACIONES

Voltaje	56V
Peso	5,82 lb (2,64 kg)

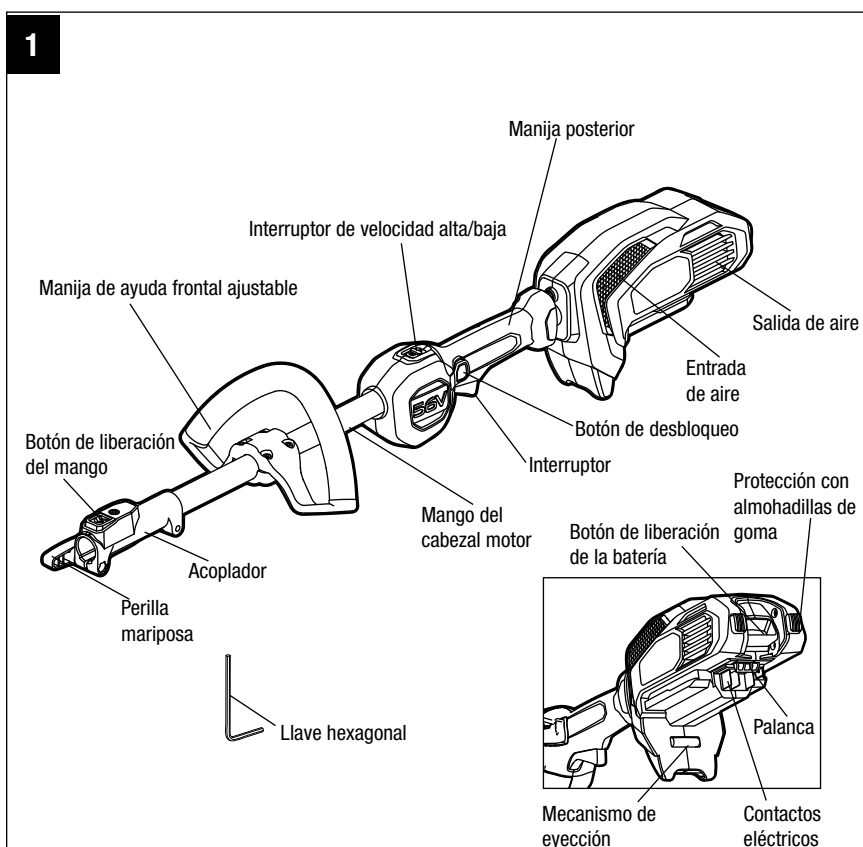
## LISTA DE EMPAQUE

NOMBRE DE LA PIEZA	CANTIDAD
Cabezal motor	1
Manija de ayuda frontal ajustable	1
Llave hexagonal	1
Manual del usuario	1

# DESCRIPCIÓN

## CONOZCA EL CABEZAL MOTOR (Fig. 1)

El uso seguro de este producto requiere que se comprenda la información que figura en la herramienta y en este manual del usuario, además del conocimiento del proyecto que desea llevar a cabo. Antes de usar este producto, familiarícese con todas las características operativas y reglas de seguridad.





## **MANIJA DE AYUDA FRONTAL AJUSTABLE**

Se ajusta para facilitar la operación y para ayudar a evitar la pérdida de control.

## **MANIJA POSTERIOR**

Manija ergonómica que mejora la comodidad y el agarre.

## **BOTÓN DE DESBLOQUEO**

Ayuda a evitar la activación accidental o no autorizada del interruptor. Se debe presionar antes de que se pueda activar el interruptor.

## **INTERRUPTOR DE VELOCIDAD VARIABLE**

Para encender y apagar la herramienta y controlar la velocidad.

## **INTERRUPTOR DE VELOCIDAD ALTA/BAJA**

Permite aumentar o disminuir la velocidad para diferentes tareas según sea necesario.

## **ACOPLADOR**

Ayuda en la conexión rápida de los ejes del accesorio.

## **BOTÓN DE LIBERACIÓN DEL MANGO**

Para liberar el mango del accesorio.

## **PERILLA MARIPOSA**

Aprieta el acoplador y la conexión del mango del accesorio.

## **BOTÓN DE LIBERACIÓN DE LA BATERÍA**

Libera el paquete de baterías de la herramienta.

## **PALANCA**

Bloquea el paquete de baterías cuando se instala en la herramienta.

**MECANISMO DE EYECCIÓN**

Ayuda en la extracción de la batería.

**ALMOHADILLA DE GOMA**

Ayuda a proteger de la carcasa de los impactos durante el uso.

## ENSAMBLAJE

**⚠ ADVERTENCIA:** Si faltan piezas o estas están dañadas, no opere este producto hasta reemplazar dichas piezas. El uso de este producto con piezas dañadas o faltantes podría provocar lesiones graves.

**⚠ ADVERTENCIA:** No intente modificar este producto ni crear accesorios que no estén recomendados para usar con esta sierra de pértiga. Cualquier alteración o modificación de ese tipo representa un mal uso y puede generar condiciones peligrosas que causen posibles lesiones personales graves.

**⚠ ADVERTENCIA:** Siempre retire el paquete de baterías del producto cuando ensamble piezas, realice ajustes o limpie el producto, o cuando el producto no esté en uso.

## DESEMBALAJE

- Este producto requiere ensamble.
- Retire con cuidado el producto y cualquier accesorio de la caja. Asegúrese de que todos los elementos que aparecen en la lista de empaque estén incluidos.

**⚠ ADVERTENCIA:** No use este producto si cualquiera de las piezas de la lista de empaque ya está ensamblada al producto cuando lo desembale. El fabricante no ensambla las piezas de esta lista al producto y se requiere que el cliente lo haga. El uso de un producto que se haya ensamblado de manera incorrecta podría provocar lesiones personales graves.

- Inspeccione la herramienta con cuidado para asegurarse de que no se hayan roto o dañado piezas durante el envío.
- No deseche el embalaje hasta que no haya inspeccionado cuidadosamente la herramienta y sepa que funciona correctamente.
- Si hay alguna pieza dañada o faltante, devuelva el producto al lugar donde lo compró.

## CÓMO INSTALAR UN ACCESORIO EN EL CABEZAL MOTOR

**⚠ ADVERTENCIA:** Lea y comprenda el Manual del usuario completo de cada accesorio opcional que utilice en este cabezal y siga todas las advertencias e instrucciones. No seguir todas las instrucciones podría resultar en descargas eléctricas, incendios o lesiones personales graves.

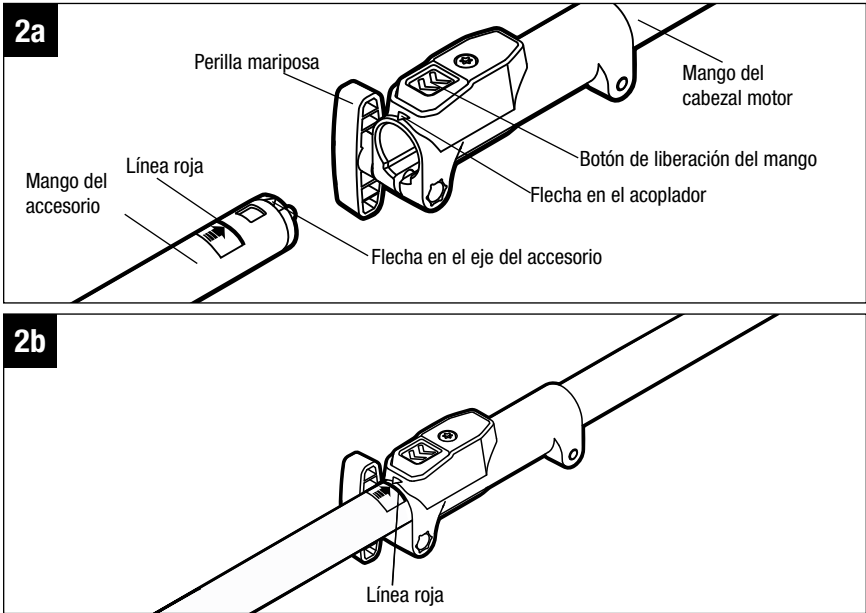
**⚠ ADVERTENCIA:** Este cabezal motor PH1400 de 56 v está diseñado para usarse solo con los modelos de accesorios de EGO que se especifican en este Manual del usuario o que EGO lance con posterioridad para utilizar con este cabezal motor. El uso de accesorios no autorizados puede causar lesiones personales graves o daños a la propiedad.

**⚠ ADVERTENCIA:** Algunos accesorios tienen requisitos específicos relacionados con la seguridad. Siempre preste especial atención a las instrucciones en el manual que acompaña a cada accesorio.

**⚠ ADVERTENCIA:** Nunca instale, retire ni ajuste ningún accesorio mientras el cabezal motor está en funcionamiento o con la batería instalada. El no detener el motor y retirar la batería puede causar lesiones personales graves. **NUNCA HAGA FUNCIONAR EL CABEZAL MOTOR SIN UN ACCESORIO.**

El accesorio se conecta al cabezal motor mediante un dispositivo acoplador.

1. Detenga el motor y retire el paquete de baterías.
2. Afloje la perilla mariposa.
3. Retire la tapa de extremo del accesorio y colóquela en un lugar seguro para utilizarla posteriormente. Alinee la flecha en el vástago con la flecha en el acoplador (Fig. 6a) y presione el vástago de en el acoplador hasta que escuche el sonido de un clic. El acoplador debe colocarse hasta la etiqueta con la LÍNEA ROJA en el vástago de manera que el vástago esté colocado en su lugar (Fig. 6b).



4. Extraiga el eje del acoplamiento para verificar que esté firmemente asegurado en el acoplador. De no ser así, rote el mango del accesorio de un lado a otro en el acoplador hasta que encaje en su lugar.
5. Apriete firmemente la perilla mariposa.

**⚠ ADVERTENCIA:** Asegúrese de que la perilla mariposa esté bien apretada antes de operar el equipo; inspecciónelo periódicamente para comprobar que esté ajustada durante el uso para evitar lesiones personales graves.

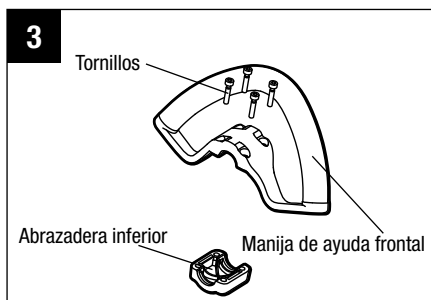
## CÓMO RETIRAR EL ACCESORIO DEL CABEZAL MOTOR

1. Detenga el motor y retire el paquete de baterías.
2. Afloje la perilla mariposa.
3. Presione el botón de liberación del eje y, con el botón pulsado, jale y gire el eje del acoplamiento para quitarlo del acoplador.

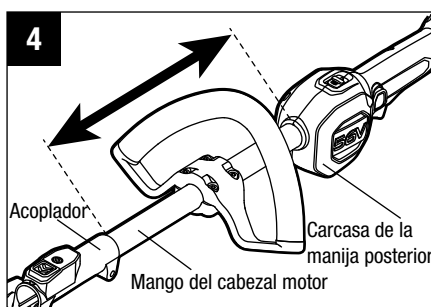
## CÓMO MONTAR Y AJUSTAR LA MANIJA DE AYUDA FRONTAL

**⚠ ADVERTENCIA:** Siempre retire el paquete de baterías del producto cuando ensamble las piezas, realice ajustes, limpie el producto o cuando este no esté en uso.

1. Detenga el motor y retire el paquete de baterías (si está instalado).
2. Retire los cuatro tornillos y la abrazadera inferior de la manija de ayuda frontal con la llave hexagonal incluida (Fig. 3).



3. Fije la manija de ayuda frontal y la abrazadera inferior en el mango del cabezal motor y asegúrelas apretando un poco los cuatro tornillos. Gire la manija de ayuda frontal hacia arriba para que apunte hacia la parte superior de la manija posterior (Fig. 4).



4. Ajuste la posición de la manija de ayuda frontal entre la carcasa de la manija posterior y el acoplador en el mango del cabezal motor (Fig. 4).
5. Apriete los cuatro tornillos de manera que la manija no pueda girar sobre el eje.

**⚠ ADVERTENCIA:** Nunca opere la herramienta si la manija de ayuda frontal no está bien colocada en su lugar.

# FUNCIONAMIENTO

**⚠ ADVERTENCIA:** No permita que la experiencia con este producto lo vuelva imprudente. Recuerde que un descuido de una fracción de segundo es suficiente para ocasionar lesiones graves.

**⚠ ADVERTENCIA:** Use siempre gafas protectoras o gafas de seguridad con blindaje lateral con marcas que indiquen que cumplen con la norma ANSI Z87.1. De lo contrario, podría provocar que se disparen objetos hacia sus ojos y otras posibles lesiones graves.

**⚠ ADVERTENCIA:** No use ningún aditamento o accesorio que no haya sido recomendado por el fabricante de este producto. El uso de aditamentos o accesorios diferentes a los recomendados podría provocar lesiones graves.

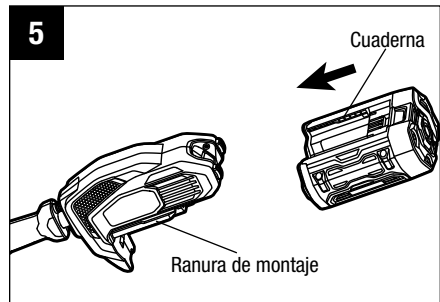
## CÓMO INSTALAR O RETIRAR EL PAQUETE DE BATERÍA

**⚠ ADVERTENCIA:** Siempre retire el paquete de baterías del producto cuando ensamble piezas, realice ajustes o limpie el producto, o cuando no esté en uso. De esta manera, evitará el arranque accidental, el que podría provocar lesiones personales graves.

**NOTA:** Cargue completamente el paquete de baterías antes de usarlo por primera vez.

### Instalación del paquete de baterías (Fig. 5)

1. Alinee las cuadernas del paquete de batería con las ranuras de montaje que se encuentran en el puerto de la batería del cabezal motor.
2. Presione el paquete de baterías hacia el cabezal motor hasta que calce en su posición.



**NOTA:** Asegúrese de que el pasador de la parte inferior del paquete de baterías encaje en su lugar y de que el paquete de baterías esté bien colocado en el cabezal motor antes de ponerlo en funcionamiento. Si no coloca de forma segura el paquete de baterías podría provocar que este se caiga, lo que puede provocar lesiones personales graves.

## Extracción del paquete de baterías (Fig. 6)

**⚠ ADVERTENCIA:** Siempre esté atento a la ubicación de los pies y de la cercanía de niños o mascotas cuando presione el botón de liberación de la batería. Se podrían provocar lesiones graves si se cae el paquete de baterías. NUNCA retire el paquete de baterías cuando esté en un lugar alto.

1. Sostenga el paquete de baterías en la palma de su mano.
2. Presione el botón de liberación de la batería con el pulgar; el paquete de baterías se separará del pasador.
3. Tome el paquete de baterías y retírelo del cabezal motor.

**⚠ ADVERTENCIA:** Para evitar lesiones personales graves, siempre retire el paquete de baterías y mantenga las manos alejadas del botón de bloqueo y el interruptor al transportar la herramienta.

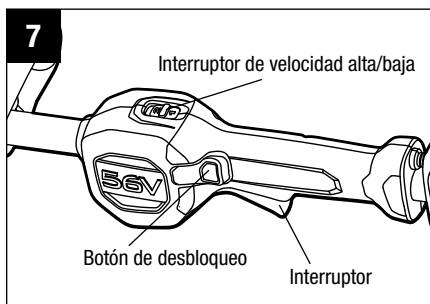
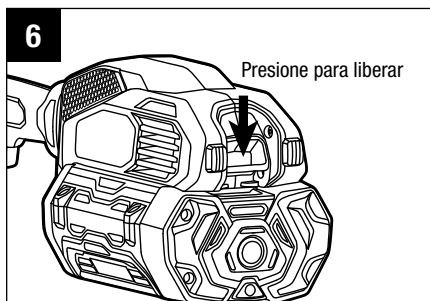
## CÓMO ENCENDER Y APAGAR EL CABEZAL MOTOR (Fig. 7)

**⚠ ADVERTENCIA:** NUNCA OPERE EL CABEZAL MOTOR SIN UN ACCESORIO.

No intente encender el cabezal motor sin un accesorio.

### Para encender el cabezal motor

1. Presione el botón de bloqueo y manténgalo en esa posición. Presione el interruptor para encender el cabezal motor. Suelte el botón de desbloqueo y continúe apretando el interruptor para que la máquina siga en funcionamiento.
2. La velocidad de rotación de la herramienta se controla con el interruptor de velocidad variable. Aplique más presión sobre el gatillo para aumentar la velocidad; aplique menos presión para disminuir la velocidad. Ajuste la velocidad según la tarea que deba realizar.





**AVISO:** El motor funcionará solo cuando el botón de bloqueo y el interruptor se encuentren presionados.

### **Función de ajuste de velocidad (Fig. 7)**

El cabezal motor tiene dos velocidades. La posición “1” es para una velocidad baja, mientras que la posición “2” es para una velocidad alta. Presione o jale el interruptor de velocidad alta/baja para escoger la velocidad adecuada durante el funcionamiento.

### **Para detener el cabezal motor**

Suelte el interruptor para detener el cabezal motor.

**⚠ ADVERTENCIA:** Retire siempre el paquete de baterías del cabezal motor durante los recesos del trabajo y después de terminarlo.

## MANTENIMIENTO

**⚠ ADVERTENCIA:** Antes de inspeccionar, limpiar o realizar mantenimiento a la unidad, detenga el motor, espere a que todas las piezas móviles se detengan y retire el paquete de baterías. No seguir estas instrucciones puede provocar lesiones personales graves o daños a la propiedad.

**⚠ ADVERTENCIA:** Cuando realice el mantenimiento, solo use piezas de repuesto idénticas. El uso de otras piezas puede generar un peligro o dañar el producto.

**AVISO:** Antes de cada uso, inspeccione todo el producto en busca de piezas dañadas, faltantes o sueltas, como tornillos, tuercas, pernos, tapas, etc. Apriete bien todos los sujetadores y tapas y no opere este producto hasta que se hayan reemplazado todas las piezas faltantes o dañadas. Póngase en contacto con Servicio al cliente o con un centro de servicio calificado para obtener ayuda.

### MANTENIMIENTO GENERAL

Evite el uso de solventes para limpiar las piezas de plástico. La mayoría de los plásticos son susceptibles a diferentes tipos de solventes comerciales y pueden resultar dañados por el uso de dichos solventes. Utilice paños limpios para eliminar la suciedad, el polvo, el aceite, la grasa, etc.

**⚠ ADVERTENCIA:** No permita en ningún momento que las piezas plásticas entren en contacto con líquidos de freno, gasolina, productos a base de petróleo, aceites penetrantes, etc. Los productos químicos pueden dañar, debilitar o destruir el plástico, lo que puede resultar en lesiones graves.

### CÓMO LIMPIAR EL CABEZAL MOTOR

1. Detenga el motor y retire el paquete de baterías.
2. Limpie la suciedad y los desechos del cabezal con un paño humedecido con un detergente suave.

**AVISO:** No use detergentes fuertes en la carcasa de plástico o la manija. Pueden dañarse con ciertos aceites aromáticos, como pino y limón y con solventes como el queroseno.

## **CÓMO GUARDAR EL CABEZAL MOTOR**

1. Retire el paquete de baterías del cabezal motor antes de guardarlo.
2. Limpie todo el material extraño del cabezal motor.
3. Guárdelo en interiores, en un lugar que no sea accesible para los niños.
4. Manténgalo alejada de los agentes corrosivos, como productos químicos para jardín y sales para derretir hielo.

## **SOLUCIÓN DE PROBLEMAS**

Consulte el manual del usuario aplicable del accesorio.

## POLÍTICA DE GARANTÍA

Garantía limitada de 5 años para el equipo electromecánico para exteriores EGO y garantía limitada de 3 años para los cargadores y las baterías del Sistema EGO Power+.

**Póngase en contacto con Servicio al Cliente de EGO de manera gratuita al 1-855-EGO-5656** cuando tenga preguntas o reclamaciones de garantía.

### GARANTÍA LIMITADA DE SERVICIO

Este producto EGO está garantizado contra defectos en los materiales y la mano de obra POR CINCO AÑOS desde la fecha de su compra original. El producto defectuoso se reparará de manera gratuita.

El cargador y las baterías del Sistema EGO Power+ están garantizados contra defectos en los materiales y la mano de obra POR TRES AÑOS desde la fecha de su compra original. El producto defectuoso se reparará de manera gratuita.

Esta garantía no cubre piezas de mantenimiento de rutina ni elementos consumibles que pueden desgastarse debido al uso normal dentro del período de garantía.

- a) Esta garantía se aplica solo al comprador original del distribuidor minorista autorizado de EGO y podría no ser transferible. Los distribuidores minoristas autorizados de EGO se identifican en línea, en <http://egopowerplus.com/pages/warranty-policy>.
- b) El periodo de garantía para cualquier pieza o producto EGO para propósitos industriales, profesionales o comerciales es de un año.
- c) Esta garantía queda nula si el producto se ha usado para propósitos de alquiler.
- d) Esta garantía no cubre daños producto de modificaciones, alteraciones o reparaciones no autorizadas.
- e) Esta garantía solo cubre defectos en condiciones de uso normales y no cubre fallas, mal funcionamiento o defectos producto de mal uso, abuso (incluida la sobrecarga del producto por encima de su capacidad y la exposición de forma directa al agua o lluvia), accidentes, negligencia o falta de instalación adecuada, y almacenaje o mantenimiento inadecuados.
- f) Esta garantía no cubre el deterioro normal del acabado exterior, incluidos, entre otros, rayones, abolladuras, trozos de pintura o cualquier corrosión o decoloración producida por el calor, limpiadores químicos y abrasivos.

## **CÓMO OBTENER EL SERVICIO**

Para obtener el servicio de garantía, póngase en contacto con Servicio al Cliente de EGO de manera gratuita al **1-855-EGO-5656**. Cuando solicite el servicio de garantía, debe presentar el recibo de compra original con fecha. Se seleccionará un centro de servicio autorizado para reparar el producto de acuerdo con los términos de la garantía estipulados.

## **LIMITACIONES ADICIONALES**

En la medida en que lo permita la ley aplicable, se rechazan todas las garantías implícitas, incluidas las garantías de COMERCIALIZADIDAD o IDONEIDAD PARA UN FIN EN PARTICULAR. Cualquier garantía implícita, incluidas las garantías de comerciabilidad o idoneidad para cualquier fin en particular, que no pueda ser rechazada según la ley estatal está limitada a cinco años desde la fecha de compra para el equipo electromecánico para exteriores y tres años desde la fecha de compra para el cargador y las baterías.

Chervon North America no se hará responsable por daños directos, indirectos, accidentales o resultantes.

Algunos estados no permiten limitaciones con respecto a la duración de una garantía implícita y/o no permiten la exclusión o limitación de daños accidentales o resultantes, de modo que las limitaciones antes descritas podrían no aplicarse en su caso.

Esta garantía le otorga derechos legales específicos, pero podría tener también otros derechos que varían según el estado.

Para obtener el servicio al cliente, póngase en contacto con nosotros de manera gratuita al:

**1-855-EGO-5656 or EGOPOWERPLUS.COM**

EGO Customer Service, 120 Ionia Street SW / Suite 102 Grand Rapids, MI 49503





