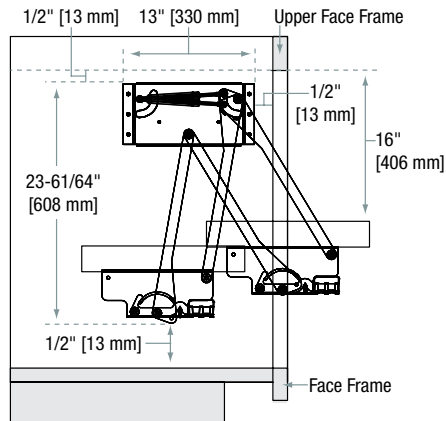
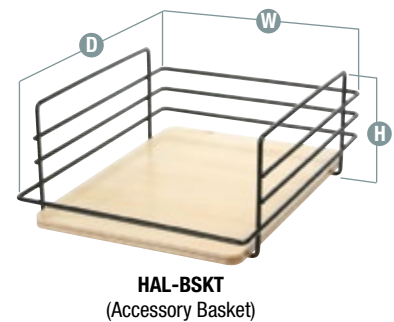
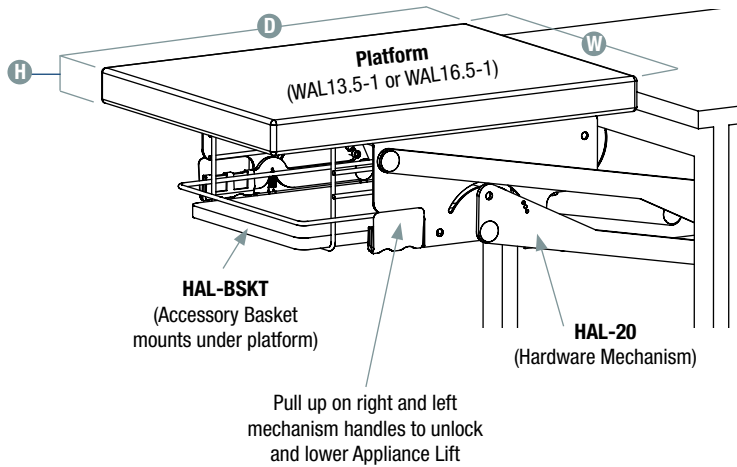


Appliance Lift

- Kitchen appliances raise effortlessly with a gas cylinder assist and then lock securely into place
- Can be outfitted with a custom block platform or a quality KV pre-made maple wood platform
- Lift can be positioned at two different levels: flush with counter or 2" below counter



NOTE: Install 1/2" down and 1/2" back from upper Face Frame (as shown)



Stock #	Description	Width W	Height H	Depth D	Finish	Units per Carton	Weight per Carton
APPLIANCE LIFT PARTS							
HAL-20	Hardware Mechanism (left and right arm)	Platform Surface + 2-1/2" [64 mm]	23-61/64" [608 mm]	Maximum of 13" [330 mm] or Platform Depth	Platinum	1	13.7 lbs. [6.2 kg.]
WAL13.5-1	13-1/2" Maple Block Platform	13-1/2" [343 mm]	1-1/2" [38 mm]	18" [457 mm]	Maple	1	9.9 lbs. [4.5 kg.]
WAL16.5-1	16-1/2" Maple Block Platform	16-1/2" [419 mm]	1-1/2" [38 mm]	18" [457 mm]	Maple	1	12.3 lbs. [5.6 kg.]
HAL-BSKT	Accessory Basket	9-7/8" [251 mm]	4-7/8" [124 mm]	12-7/8" [327 mm]	Black/Birch	1	4.2 lbs. [1.9 kg.]

Cabinet Dimensions

Stock #	Min. Cabinet Opening		Minimum Interior Cabinet Dimensions			Minimum Cabinet Clearances	
	Width O	Width W	Height H	Depth D	Front F	Back B	
Slide-Out Base Blind Corner Units							
BBCS-L-15-FN	15" [381 mm]	26-11/16" [678 mm]	20-1/4" [514 mm]	22-11/16" [576 mm]	1/4" [6 mm]	1/4" [6 mm]	
BBCT-L-15-FN	15" [381 mm]	26-11/16" [678 mm]	27-1/4" [692 mm]	22-11/16" [576 mm]	1/4" [6 mm]	1/4" [6 mm]	
BBCS-R-15-FN	15" [381 mm]	26-11/16" [678 mm]	20-1/4" [514 mm]	22-11/16" [576 mm]	1/4" [6 mm]	1/4" [6 mm]	
BBCT-R-15-FN	15" [381 mm]	26-11/16" [678 mm]	27-1/4" [692 mm]	22-11/16" [576 mm]	1/4" [6 mm]	1/4" [6 mm]	
Center-Mount Pantry Roll-Outs							
P1875CM-FN	*	*	20-1/2" [520 mm]	22-1/4" [565 mm]	–	–	
P2500CM-FN	*	*	26-3/4" [679 mm]	22-1/4" [565 mm]	–	–	
P4250CM-FN	*	*	44" [1,117 mm]	22-1/4" [565 mm]	–	–	
P4650CM-FN	*	*	48" [1,219 mm]	22-1/4" [565 mm]	–	–	
P5450CM-FN	*	*	56" [1,422 mm]	22-1/4" [565 mm]	–	–	
Pot & Pan Pantry Organizer							
PAN1700TM-FN	18" [457 mm]	18" [457 mm]	24" [610 mm]	24" [610 mm]	–	1/2" [13 mm]	
Pot & Pan Caddy							
SPS21-FN	20" [508 mm]	20" [508 mm]	14-3/4" [375 mm]	22-3/4" [578 mm]	1/4" [6 mm]	1/4" [6 mm]	
SPS27-FN	26" [660 mm]	26" [660 mm]	14-3/4" [375 mm]	22-3/4" [578 mm]	1/4" [6 mm]	1/4" [6 mm]	
Wood & Wire Tray Divider Roll-Outs							
TDRO-FNW-6	6" [152 mm]	6" [152 mm]	14-1/2" [368 mm]	22-3/4" [578 mm]	1/4" [6 mm]	1/4" [6 mm]	
TDRO-FNW-9	9" [229 mm]	9" [229 mm]	14-1/2" [368 mm]	22-3/4" [578 mm]	1/4" [6 mm]	1/4" [6 mm]	
Appliance Lift (see page 59 for additional clearances)							
HAL-20	Platform Width + 1" [25 mm]	Platform Width + 2-1/2" [64 mm]	25" [634 mm]	Minimum of 16-1/2" [419 mm] OR platform depth	1/2" [13 mm]	1/2" [13 mm]	
Hampers							
PSH15-160-W	15" [381 mm]	15-5/8" [397 mm]	21-9/16" [548 mm]	19-5/8" [498 mm]	1/4" [6 mm]	1/4" [6 mm]	
PDMSH15-1-60-W	15" [381 mm]	15-5/8" [397 mm]	21-9/16" [548 mm]	19-5/8" [498 mm]	1/4" [6 mm]	1/4" [6 mm]	
H1215-W	12" [305 mm]	12-5/8" [321 mm]	15-1/8" [384 mm]	19-1/4" [489 mm]	1/4" [6 mm]	1/4" [6 mm]	
H1218-W	12" [305 mm]	12-5/8" [321 mm]	19-3/8" [492 mm]	19-1/4" [489 mm]	1/4" [6 mm]	1/4" [6 mm]	
H1515-W	15" [381 mm]	15-5/8" [397 mm]	15-1/8" [384 mm]	19-1/4" [489 mm]	1/4" [6 mm]	1/4" [6 mm]	
H1518-W	15" [381 mm]	15-5/8" [397 mm]	19-3/8" [492 mm]	19-1/4" [489 mm]	1/4" [6 mm]	1/4" [6 mm]	
MH1215-W	12" [305 mm]	12-5/8" [321 mm]	15-1/8" [384 mm]	16-1/2" [419 mm]	1/4" [6 mm]	1/4" [6 mm]	
TO1710-1-W	11" [279 mm]	11" [279 mm]	18-1/4" [464 mm]	19-5/16" [491 mm]	1/4" [6 mm]	1/4" [6 mm]	
TO1710-W	11" [279 mm]	11" [279 mm]	18-1/4" [464 mm]	19-5/16" [491 mm]	1/4" [6 mm]	1/4" [6 mm]	
TO1713-1-W	14" [356 mm]	14" [356 mm]	18-1/4" [464 mm]	19-5/16" [491 mm]	1/4" [6 mm]	1/4" [6 mm]	
TO1713-W	14" [356 mm]	14" [356 mm]	18-1/4" [464 mm]	19-5/16" [491 mm]	1/4" [6 mm]	1/4" [6 mm]	
TO1716-1-W	17" [432 mm]	17" [432 mm]	18-1/4" [464 mm]	19-5/16" [491 mm]	1/4" [6 mm]	1/4" [6 mm]	
TO1716-W	17" [432 mm]	17" [432 mm]	18-1/4" [464 mm]	19-5/16" [491 mm]	1/4" [6 mm]	1/4" [6 mm]	
PULL-Out Towel Bar							
P79 3 ANO	5-5/16" [135 mm]	5-5/16" [135 mm]	1-13/16" [46 mm]	18-1/4" [464 mm]	1/4" [6 mm]	1/4" [6 mm]	
Center-Mount Pantry Roll-Out							
P1875CM-W	*	*	20-1/2" [520 mm]	22-1/4" [565 mm]	–	–	
P2500CM-W	*	*	26-3/4" [670 mm]	22-1/4" [565 mm]	–	–	
P4250CM-W	*	*	44" [1,117 mm]	22-1/4" [565 mm]	–	–	
P4650CM-W	*	*	48" [1,219 mm]	22-1/4" [565 mm]	–	–	
P5450CM-W	*	*	56" [1,422 mm]	22-1/4" [565 mm]	–	–	
Side-Mount Pantry Roll-Out							
P4250FE-W	*	*	44" [1,117 mm]	22-1/4" [565 mm]	–	–	
P4650FE-W	*	*	48" [1,219 mm]	22-1/4" [565 mm]	–	–	

* Minimum Cabinet Opening Width AND Minimum Cabinet Interior Width equals total width of completely assembled unit with all baskets applied, plus 1/2" clearance per side (1" total clearance for center-mounted units, 1/2" side clearance for side-mounted units). Dimensions shown are recommended minimum cabinet dimensions and clearances.