

SUMMIT

FF1512SSIM
FF1511SS

en

Instruction Manual



Please read this user manual first!

Dear Customer,

We hope that your product, which has been produced in modern plants and checked under the most meticulous quality control procedures, will provide you an effective service.

Therefore, read this entire user manual carefully before using the product and keep it as a reference. If you hand over the product to someone else, give the user manual as well.

The user manual will help you use the product in a fast and safe way.

- Read the manual before installing and operating the product.
- Make sure you read the safety instructions.
- Keep the manual in an easily accessible place as you may need it later.
- Read the other documents given with the product.

Remember that this user manual is also applicable for several other models. Differences between models will be identified in the manual.

Explanation of symbols

Throughout this user manual the following symbols are used:

	Important information or useful hints.
	Risk of injury and damage to property.
	Risk of electric shock.
	Packaging materials of the product are manufactured from recyclable materials in accordance with our National Environment Regulations.

Contents

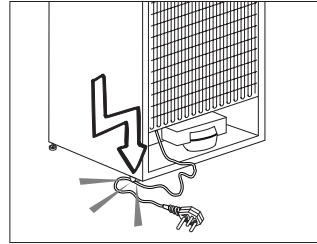
1 Important instructions for safety and environment	3	5 Operating the product	15
2 Your appliance	7	5.1. Temperature setting button ...	15
3 Installation	8	5.2. Fast freeze	15
3.1. Appropriate installation location	8	5.3. Vacation function	16
3.2. Adjusting the feet	9	5.4. Indicator panel.....	17
3.3. Electrical connection	9	5.5. Egg holder	19
3.4. Connecting the water hose to the refrigerator	10	5.6. Fan.....	19
3.5. Connecting the water line to the water supply.....	10	5.7. Crisper	19
3.6. Reversing the doors.....	12	5.8. Chiller compartment.....	19
3.7. Reversing the doors.....	13	5.9. Auto Icematic	20
4 Preparation	14	5.10.Freezing fresh food	21
4.1. Things to be done for energy saving.....	14	5.11.Recommendations for preserving frozen food	22
4.2. Initial use	14	5.12.Deep-freeze information.....	22
		5.13.Placing the food	22
		5.14.Door open warning.....	23
		5.15.Changing the door opening direction	23
		5.16.Illumination lamp.....	23
		6 Maintenance and cleaning	24
		6.1. Avoiding bad odors	24
		6.2. Protecting the plastic surfaces	24
		6.3. Door Glass	24
		7 Troubleshooting	26
		8 LIMITED WARRANTY	29

1 Important instructions for safety and environment

This section contains safety instructions that will help protect from risk of personal injury or property damage. Failure to follow these instructions shall void any warranty.

1.1 General safety

- This product can be used by children at and above 8 years old and by persons whose physical, sensory or mental capabilities are not fully developed or who lack experience and knowledge provided that they are supervised or trained on the safe usage of the product and the risks it brings out. Children must not play with the product. Cleaning and maintenance should not be performed by children unless they are supervised by someone.
- Unplug the product if a failure occurs while it is in use.
- If the product has a failure, it should not be operated unless it is repaired by the Authorized Service Agent. There is the risk of electric shock!
- Connect the product to a grounded outlet protected by a fuse complying with the values in the rating plate. Have the grounding installation made by a qualified electrician. Our company shall not be liable for any damages that will arise when the product is used without grounding in accordance with the local regulations.
- Unplug the product when not in use.
- Never wash the product by spreading or pouring water onto it! There is the risk of electric shock!
- Never touch the plug with wet hands! Never unplug by pulling on the cable, always pull out by grabbing the plug.
- It is recommended to clean the tip of the plug regularly with a dry cloth.



- Do not plug the refrigerator if the wall outlet is loose.
- Never connect your refrigerator to electricity-saving systems. Such systems are harmful for the product.
- Unplug the product during installation, maintenance, cleaning and repairing procedures.
- Always have the installation and repairing procedures carried out by the **Authorized Service Agent**. Manufacturer shall not be held liable for damages that may arise from procedures carried out by unauthorized persons.
- Do not eat ice cream and ice cubes immediately after you take them out of the freezer compartment! This may cause frostbite in your mouth!
- Do not touch frozen food by hand! They may stick to your hand!
- Do not put bottled and canned liquid beverages in the freezer compartment. They may burst!
- Never use steam and steam assisted cleaning materials to clean or defrost the refrigerator. Steam will cause short circuit or electric shock since it would get into contact with the electrical parts in the refrigerator!
- Do not use mechanical devices or other methods to accelerate the defrosting process, other than those recommended by the manufacturer.
- Never use the parts on your refrigerator such as the door and drawer as a means of support or step. This will cause the product to tip over or parts of it get damaged.

Instructions for safety and environment

- Do not damage the cooling circuit, where the refrigerant is circulating, with drilling or cutting tools. The refrigerant that might blow out when the gas channels of the evaporator, pipe extensions or surface coatings are punctured may cause skin irritations and eye injuries.
- Do not cover or block the ventilation holes on the refrigerator with any material.
- Keep bottled beverages with high alcohol content tightly closed and vertical.
- Do not use gaseous sprays near the product since there is the risk of fire or explosion!
- Flammable items or products that contain flammable gases (e.g. spray) as well as explosive materials should never be kept in the appliance.
- Do not place containers filled with liquid on top of the product. Spilling water on an electrical component may cause electric shocks or risk of fire.
- Do not store products (vaccines, heat-sensitive medicines, scientific materials, etc.) that require a precise temperature control in the refrigerator.
- If you will not operate the product for a long period of time, unplug and unload the food in it.
- If the product is equipped with blue light, do not look at the blue light with optical tools.
- Exposing the product to rain, snow, sun and wind is dangerous with respect to electrical safety.
- In products with mechanical control (thermostat), wait for minimum 5 minutes to plug in the product again after unplugging it.
- Do not overload the product. It may fall when the door is opened, and cause injury or damage. Similar problems may occur in case of putting things on top of the product.
- If the product's door is equipped with a handle, do not pull by the handle when moving the product. Handle may get loose.
- Be careful not to let your hand or any part of your body be caught by moving parts inside the refrigerator.

1.1.1 HC warning




- If your product's cooling system contains R600a:

This gas is flammable. Therefore, be careful not to damage the cooling system and piping during usage and transportation. In the event of damage, keep your product away from potential fire sources that can cause the product to catch fire and ventilate the room in which the unit is placed.

Ignore this warning if your product's cooling system contains R134a.

Type of gas used in the product is stated in the type plate which is on the left wall inside the refrigerator.

Never throw the product in fire for disposal.

	If the product is equipped with a cooling system containing R134a gas, ignore this warning.
	You can learn the gas used in production of your product on the rating plate located on the left inner part of it.
	WARNING: Never dispose of the product in fire.

Instructions for safety and environment

1.1.2 For products with a water dispenser

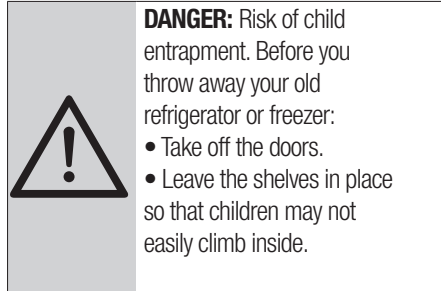
- Pressure for cold water inlet shall be maximum 90 psi (6.2 bar). If your water pressure exceeds 80 psi (5.5 bar), use a pressure limiting valve in your mains system. If you do not know how to check your water pressure, ask for the help of a professional plumber.
- If there is risk of water hammer effect in your installation, always use a water hammer prevention device in your installation. Consult Professional plumbers if you are not sure that there is no water hammer effect in your installation.
- Do not install on the hot water inlet. Take precautions against the risk of freezing of the hoses. Water temperature operating interval shall be 33°F (0.6°C) minimum and 100°F (38°C) maximum.
- Use only potable water.

1.2 Intended use

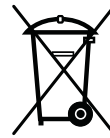
- This product has been designed for domestic use. It is not suitable for commercial use and it must not be used out of its intended use.
- Product must be used only for storing food.
- The manufacturer waives any responsibility arisen from incorrect usage or transportation.
- The service life of your product is 10 years. During this period, original spare parts will be available to operate the appliance properly.

1.3 Children's safety

- If the door has a lock, the key should be kept away from reach of children.
- Children must be supervised to prevent them from tampering with the product.



1.4 Compliance with WEEE Directive and Disposing of the Waste Product:



This product complies with EU WEEE Directive (2012/19/EU). This product bears a classification symbol for waste electrical and electronic equipment (WEEE). This product has been manufactured with high quality parts and materials which can be reused and are suitable for recycling. Do not dispose of the product with normal domestic and other wastes at the end of its service life. Take it to the collection center for the recycling of electrical and electronic equipment. Please consult your local authorities to learn about these collection centers.

Instructions for safety and environment

1.5 Compliance with RoHS Directive:

- The product you have purchased complies with EU RoHS Directive (2011/65/EU). It does not contain harmful and prohibited materials specified in the Directive.

1.6 Package information

- Packaging materials of the product are manufactured from recyclable materials in accordance with our National Environment Regulations. Do not dispose of the packaging materials together with the domestic or other wastes. Take them to the packaging material collection points designated by the local authorities.



DANGER: Risk Of Fire or Explosion. Flammable Refrigerant Used. Do Not Use Mechanical Devices To Defrost Refrigerator. Do Not Puncture Refrigerant Tubing”.



CAUTION : Risk Of Fire Or Explosion. Flammable Refrigerant Used. Consult Repair Manual/Owner's Guide Before Attempting To Service This Product. All Safety Precautions Must be Followed.



CAUTION : Risk Of Fire Or Explosion. Dispose Of Properly In Accordance With Federal Or Local Regulations. Flammable Refrigerant Used.

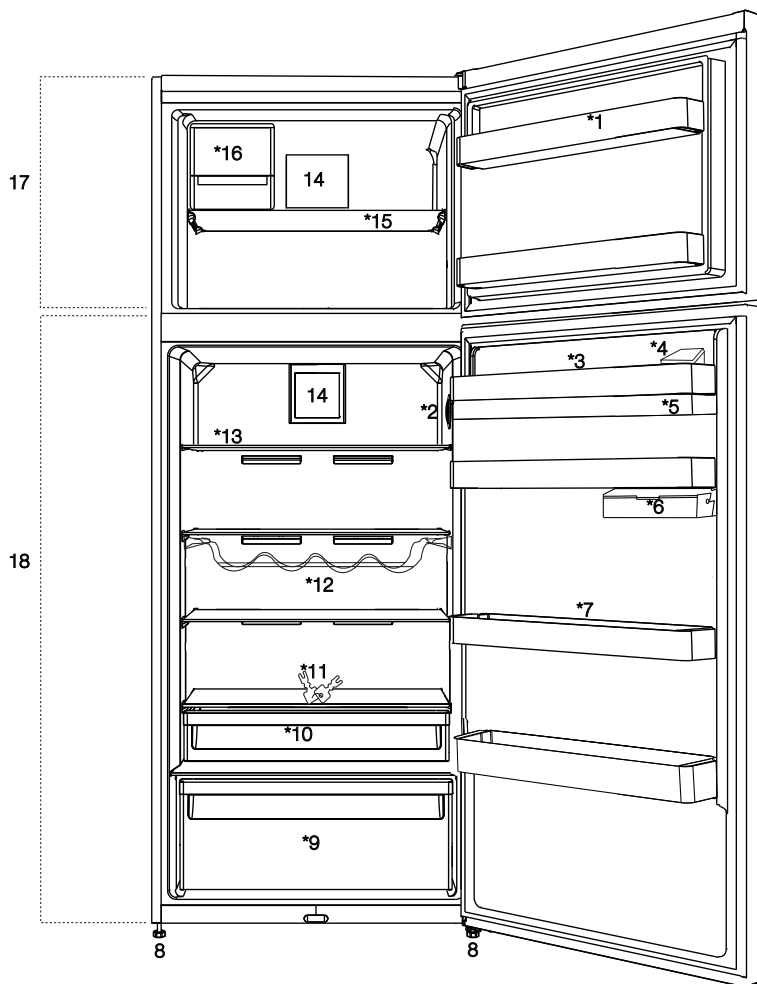


CAUTION : Risk Of Fire Or Explosion Due To Puncture Of Refrigerant Tubing; Follow Handling Instructions Carefully. Flammable Refrigerant Used”.



DANGER: Risk Of Fire Or Explosion. Flammable Refrigerant Used. To Be Repaired Only By Trained Service Personnel. Do Not Puncture Refrigerant Tubing”.

2 Your appliance



- | | |
|---|--------------------------------------|
| 1. Freezer - compartment door shelf | 10. Chiller compartment |
| 2. Temperature setting button | 11. Lock and key |
| 3. Water dispenser filling tank | 12. Bottle shelf |
| 4. Egg section | 13. Fridge - compartment glass shelf |
| 5. Water dispenser reservoir | 14. Fan |
| 6. Storage container under the door shelf | 15. Freezer compartment shelf |
| 7. Movable door shelf | 16. Icebox / Ice-making compartment |
| 8. Adjustable feet | 17. Freezer compartment |
| 9. Crisper | 18. Fridge compartment |



***optional:** Figures in this user manual are given as an example and may not match the product exactly. If the relevant parts are not available in the product you purchased, the figure applies to other models.

3.1. Appropriate installation location

Contact an Authorized Service for the installation of the product. In order to prepare the product for use, refer to the information in the user manual and ensure that electrical installation and water installation are appropriate. If not, call a qualified electrician and technician to have any necessary arrangements carried out.

	WARNING: Manufacturer shall not be held liable for damages that may arise from procedures carried out by unauthorized persons.
	WARNING: Product must not be plugged in during installation. Otherwise, there is the risk of death or serious injury!
	WARNING: If the door clearance of the room where the product will be placed is so tight as to prevent passing of the product, remove the door of the room and pass the product through the door by turning it to its side; if this does not work, contact the authorized service.

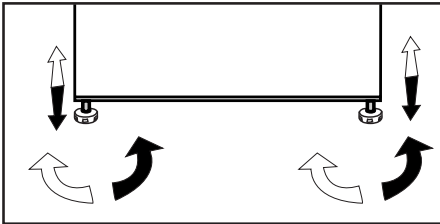
- Appropriate air ventilation must be provided around your product in order to achieve an efficient operation. If the product is to be placed in a recess in the wall, pay attention to leave at least 2 inches distance from the ceiling and side walls. Also allow 2" at the back
- Do not install the product in places where the temperature falls below 23°F (-5°C).

- Place the product on an even floor surface to prevent jolts.
- Install the product at least 12 inches away from heat sources such as radiators and stoves and at least 2 inches away from electrical ovens.
- Product must not be subjected to direct sun light and kept in humid places.

Installation

3.2. Adjusting the feet

If the product stands unbalanced after installation, adjust the feet on the front by rotating them to the right or left.



3.3. Electrical connection

	WARNING: Do not make connections via extension cables or multi-plugs.
	WARNING: Damaged power cable must be replaced by the Authorized Service Agent.
	If two coolers are to be installed side by side, there should be at least 1½ inches distance between them.

- Our company shall not be liable for any damages that will arise when the product is used without grounding and electrical connection in accordance with the national regulations.
- Power cable plug must be within easy reach after installation.
- Connect your refrigerator to a grounded outlet rated for a voltage value of 110-120V/ 60 Hz. Outlet shall have 10 to 16A fuse.
- Do not extension cords or cordless multiple outlets between your product and the wall outlet.

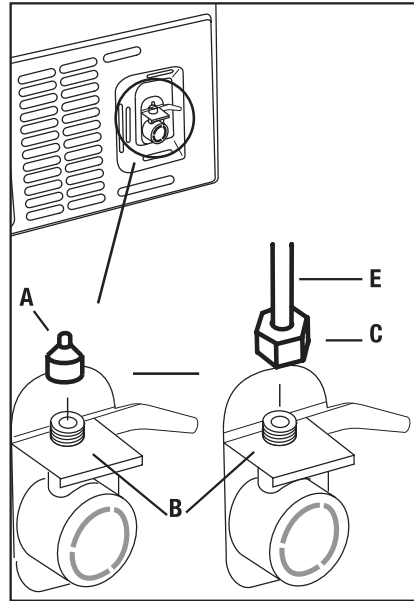
Installation

3.4. Connecting the water hose to the refrigerator

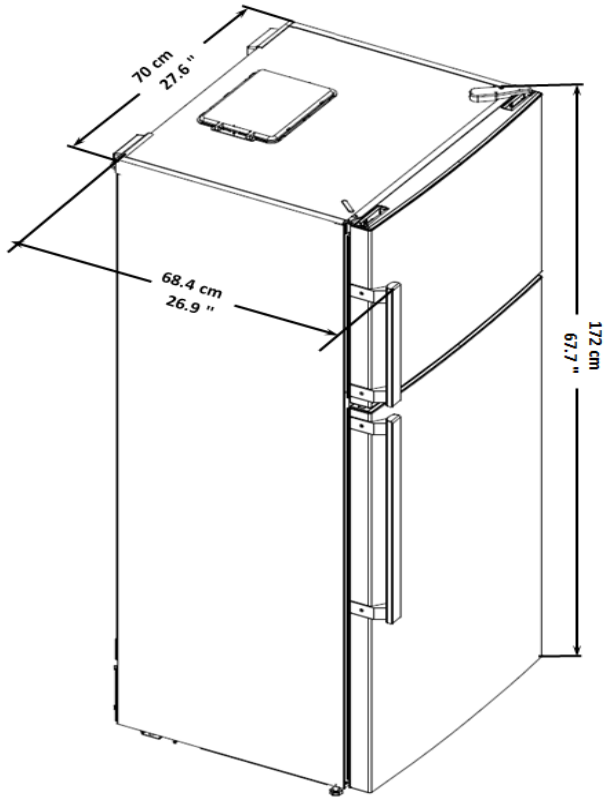
Connect the water line to a water supply valve. If a valve is not present or you are not sure, consult a qualified plumber.

3.5. Connecting the water line to the water supply

1. Slip the union (B) onto the water hose (A).
2. Push the water hose downwards firmly to slip it onto the water inlet valve (C).
3. Tighten the union (C) by hand to secure it onto the water inlet valve. Normally, you are not required to tighten the union with a tool. However, you can use a wrench or pliers to tighten the union if there is a leakage.



Installation

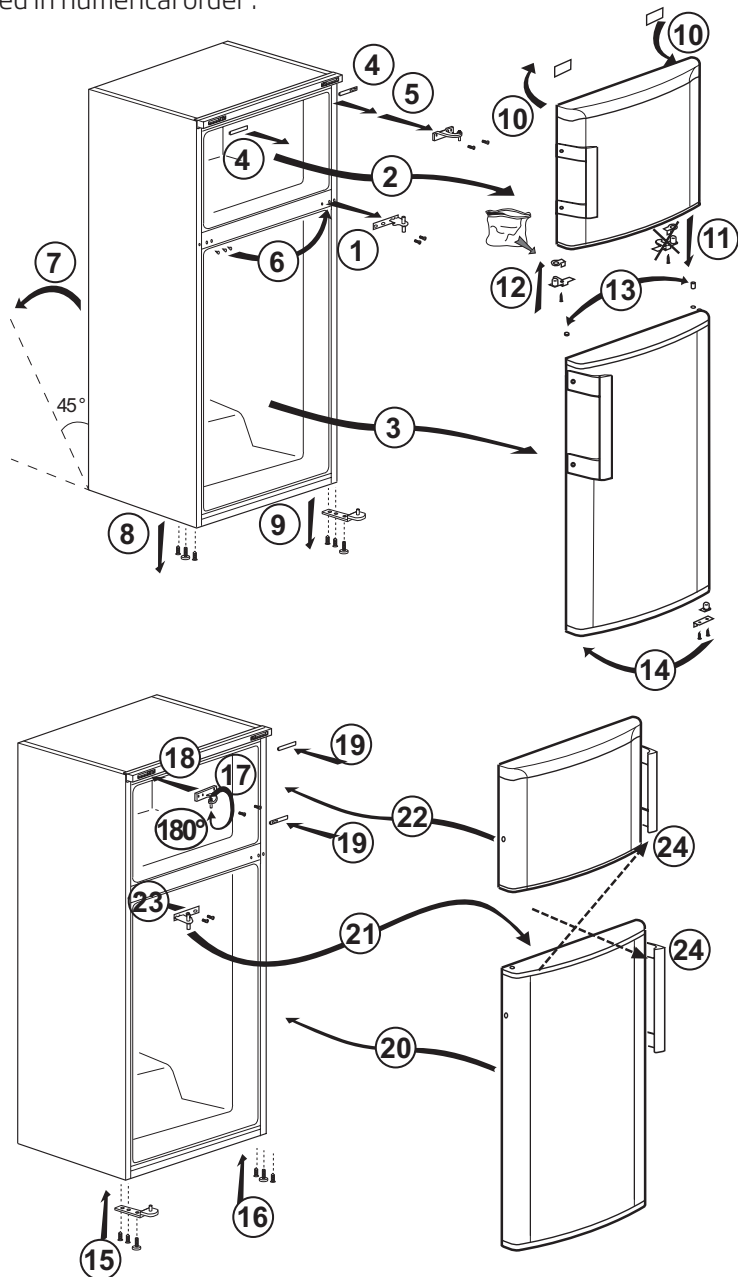


Height (cm/inch) unpacked	172 -67 23/32"
Width (cm/inch) unpacked	70.4 -27 23/32"
Depth (cm/inch) unpacked	68.7- 27 3/64"
Height (cm/inch)packed	178.8-70 25/64"
Width (cm/inch)packed	74.5 - 29 21/64"
Depth (cm/inch) packed	68.4-26 59/64"
Gross Weight (Kg) / lbs	78 - 172
Net Weight (Kg) / lbs	72 - 158.7

Installation

3.6. Reversing the doors

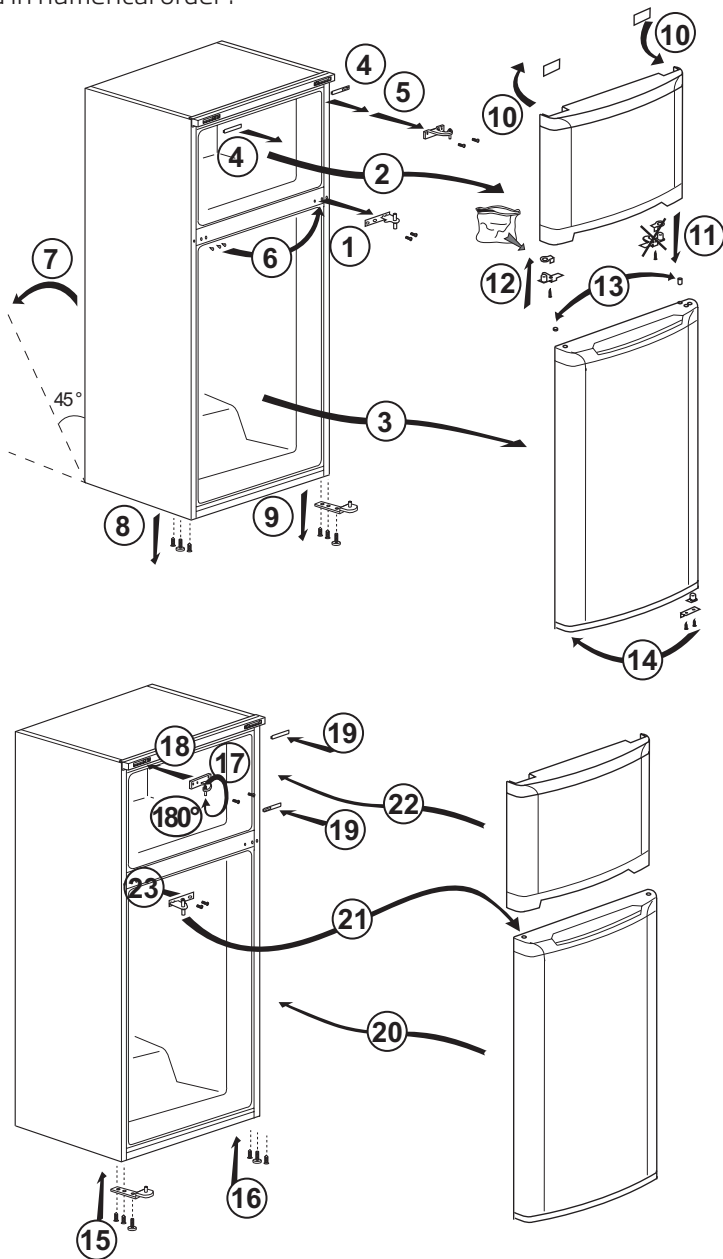
Proceed in numerical order .



Installation

3.7. Reversing the doors

Proceed in numerical order .



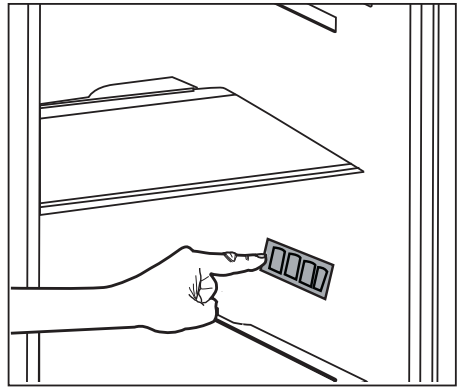
4.1. Things to be done for energy saving



Connecting the product to electric energy saving systems is risky as it may cause damage to the product.

- Do not leave the doors of your refrigerator open for a long time.
- Do not put hot food or drinks in your refrigerator.
- Do not overload the refrigerator, cooling capacity will fall when the air circulation inside is hindered.
- In order to store maximum amount of food in the freezer compartment, the icematic, available in the freezer compartment and easily removable by hand, should be taken out. Net volume and energy consumption values declared on the power data plate of your refrigerator are measured and tested by removing the icematic. Do not remove the shelves inside the freezer compartment and on the door of freezer compartment. They should always be used. They provide ease of use and efficiency in energy consumption.
- Airflow should not be blocked by placing foods on the sides of the freezer compartment fan. A minimum distance of 3 cm (1.2") shall be provided on the sides of protective fan cover.
- The baskets/drawers that are provided with the chill compartment must always be in use for low energy consumption and for better storage conditions.
- Food contact with the temperature sensor in the freezer compartment may increase energy consumption of the appliance. Thus any contact with the sensor(s) must be avoided.
- Depending on the features of your product, thawing frozen food in fridge compartment will both provide

energy saving and preserve the food quality.



- Do not allow contact of the food with the fridge compartment temperature sensor shown in the figure above.

4.2. Initial use

Before starting to use your refrigerator, ensure that all preparations are made in accordance with the instructions in sections "Instructions for safety and environment" and "Installation".

- Run the product without putting any food for 6 hours and do not open its door unless required.



You will hear a noise when the compressor starts up. The liquids and gases sealed within the refrigeration system may also give rise to noise, even if the compressor is not running and this is quite normal.



Front edges of the product may feel warm. This is normal. These areas are designed to be warm to avoid condensation.



In some models, the instrument panel automatically turns off 5 minutes after the door has closed. It will be reactivated when the door has opened or any key is pressed.

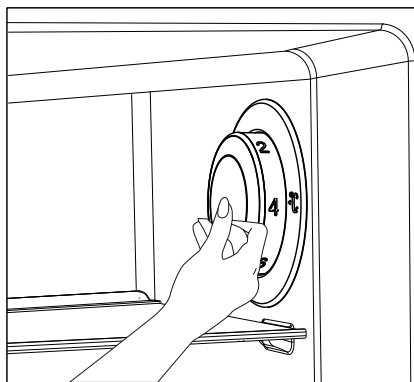
5 Operating the product

5.1. Temperature setting button

The interior temperature of your refrigerator changes for the following reasons;

- Seasonal temperatures,
- Frequent opening of the door and leaving the door open for long periods,
- Food put into the refrigerator without cooling down to the room temperature,
- The location of the refrigerator in the room (e.g. exposing to sunlight),
- You may adjust the varying interior temperature due to such reasons by using the setting button.

The numbers around the control knob indicate the temperature values in "°C". If the ambient temperature is 25°C, we recommend you to use the temperature control knob of your refrigerator at 4°C. This value may be increased or decreased as required in other ambient temperatures.

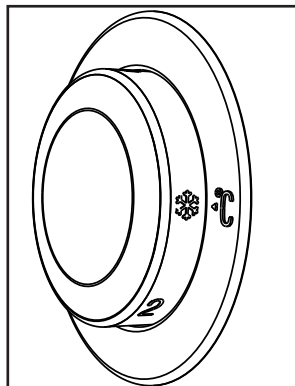


5.2. Fast freeze

If large amounts of fresh food are going to be frozen, adjust the temperature control knob to (❄️) max. 24 hours before putting the fresh food in the fast freeze compartment.

It is strongly recommended to keep the knob at this position at least 24 hours to freeze maximum amount of fresh food declared as freezing capacity. Take special care not to mix frozen food and fresh food.

Remember to turn the temperature control knob back to its previous position once food has frozen.



***optional:** Figures in this user manual are given as an example and may not match the product exactly. If the relevant parts are not available in the product you purchased, the figure applies to other models.

Operating the product

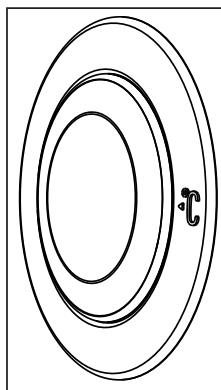
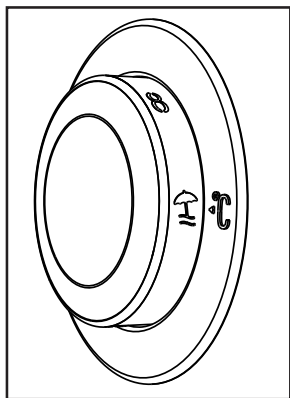
5.3. Vacation function

If the doors of the product are not opened for 12 hours after the temperature control knob is switched to the hottest position, then the vacation function will be activated automatically.

To cancel the function, change the knob setting.

It is not recommended to store food in cooler compartment when the vacation function is active.

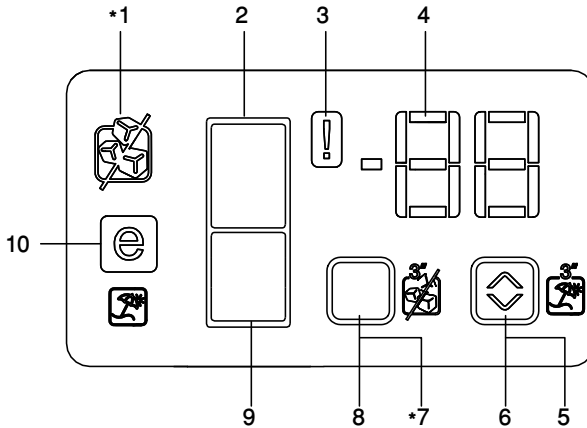
- When the setting operation is completed, you may press the temperature control knob and have it hidden.



Operating the product

5.4. Indicator panel

Indicator panels may vary according to the product model.
Audio - visual functions on the indicator panel help you in using your product.



1. Automatic Ice Machine Off/On indicator
2. Fridge Compartment Indicator
3. Error Status Indicator
4. Temperature Indicator
5. Vacation Button
6. Temperature Setting Button
7. Ice Cancel Button
8. Compartment Selection Button
9. Freezer Compartment Indicator
10. Economy Mode Indicator



***optional:** Figures in this user manual are given as an example and may not match the product exactly. If the relevant parts are not available in the product you purchased, the figure applies to other models.

Operating the product

1. Automatic Ice Machine Off/On indicator

This symbol appears on the display when Ice Off function is activated.

2. Fridge Compartment Indicator

Fridge compartment light illuminates when adjusting the fridge compartment temperature.

3. Error Status Indicator

If your refrigerator does not cool adequately or if there is a sensor failure, this indicator will be activated. When this indicator is active, Freezer Compartment Temperature indicator will display "e" and Fridge Compartment Temperature Indicator will display numbers such as "1,2,3...". These numbers on the indicator provide information about the error to the service personnel.

4. Temperature Indicator

Indicates the temperatures of fridge, freezer compartment.

5. Vacation Button

Press and hold this button for 3 sec. to activate the Vacation function. Press this button again to deactivate the selected function.

6. Temperature Setting Button

Changes the temperature of the relevant compartment between -5°F/ 21°C and +46 °F/8 °C.

7. Ice Cancel Button

Refrigerator stops ice production when you press selection button for 3 seconds.

8. Refrigerator Compartment

Selection Button

Press Refrigerator Compartment Selection Button to switch between fridge and freezer compartments.

9. Freezer Compartment Indicator

Freezer compartment light illuminates when adjusting the freezer compartment temperature.

10. Economy Mode Indicator

This indicates that the refrigerator is running in energy-efficient mode. This indicator will be active if the Freezer Compartment temperature is set to +5°F/-15 °C.

Operating the product

5.5. Egg holder

You can install the egg holder to the desired door or body shelf. If it will be placed on body shelves then the lower cooler shelves are recommended.

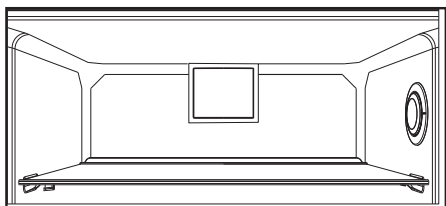


Never place the egg holder in the freezer compartment

5.6. Fan

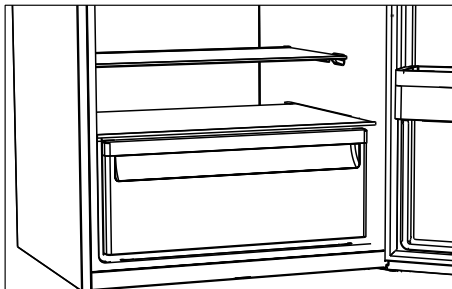
Fan is designed to ensure homogeneous distribution and circulation of the cold air inside your refrigerator. Operation time of the fan may vary depending on the properties of your product.

While the fan works only with the compressor in some products, the control system determines its operation time in some products in accordance with the cooling requirement.



5.7. Crisper

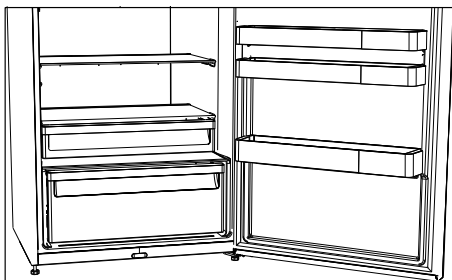
Crisper of the product is designed specially to keep the vegetables fresh without losing their humidity. For this purpose, cool air circulation is intensified around the crisper in general.



5.8. Chiller compartment

(This feature is optional)

Use this compartment to store delicatessen that should be stored at a lower temperature or meat products that you will consume in a short time. Chiller compartment is the coolest place in your refrigerator where you can keep dairy products, meat, fish and poultry under ideal storage conditions. Fruits and vegetables should not be stored in this compartment.



Operating the product

5.9. Auto Icematic

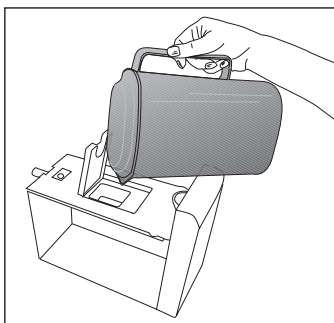
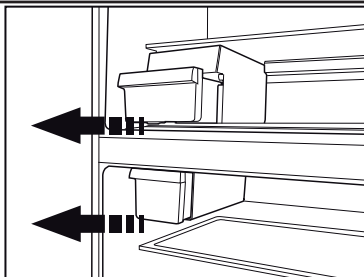
Model FF1511SS does not include the Auto Icematic feature.

(This feature is optional)

The Auto Icematic allows you to make ice in the fridge easily. Remove the water tank in the fridge compartment, fill it with water and install it back to obtain ice from the Icematic.

First ice cubes will be ready in approximately 2 hours in the Icematic drawer located in the freezer compartment.

If you fill the water tank completely, you will be able to obtain approximately 60-70 ice cubes. Change the water in water tank if it has been there for 2-3 weeks.



For the products having automatic Icematic, sound may be heard during ice pouring. This sound is normal and does not signal any error.

Operating the product

5.10. Freezing fresh food

- In order to preserve the quality of the food, it should be frozen as quickly as possible when it is placed in the freezer compartment. Use the fast freezing feature for this purpose.
- You may store the foods longer in freezer compartment when you freeze them while they are fresh.
- Pack the food to be frozen and close the packing so that it will be air-tight.
- Ensure that you wrap your foods well before putting them in the freezer. Use freezer containers, foils and moisture-proof papers, plastic bags and other packing materials instead of traditional packing papers.

- Label each packet of food by adding the date before freezing. You may distinguish the freshness of each food packet in this way when you open your freezer each time. Store the foods frozen previously toward the front of compartment to ensure that they are used first.



The freezer compartment defrosts automatically.

- Frozen foods must be used immediately after they are thawed and they should not be re-frozen.
- Do not freeze too large quantities of food at one time.

Freezer Compartment Setting	Fridge compartment Setting	Remarks
-18°C/4°F	4°C/40°F	This is the normal recommended setting.
-20/-4°F,-22/-6°F or -24°C/-11°F	4°C/40°F	These settings are recommended when the ambient temperature exceeds 30°C/86°F.
Quick Freeze	4°C/40°F	Use when you wish to freeze your food in a short time. Your product will return to its previous mode when the process is over.
-18°C/4°F or colder	2°C/37°F	Use these settings if you think that your fridge compartment is not cold enough because of the hot ambient conditions or frequent opening and closing of the door.

Recommended Using Temperature: FF: 4°C /40 °F Frz: -18°C/4 °F

Operating the product

5.11. Recommendations for preserving frozen food

Compartment no higher than -18°C.

1. Put packages in the freezer as quickly as possible after purchase without allowing them to thaw.
2. Check whether the "Use By" and "Best Before" dates on the packaging are expired or not before freezing.
3. Ensure that the food package is not damaged.

5.12. Deep-freeze information

According to IEC 62552 standards, the product shall freeze at least 4.5 kg(9.9 lbs) of food at 32°C ambient temperature to -18°C or lower within 24 hours for every 100-litres (3.5 cubic feet) of freezer volume.

It is possible to preserve the food for a long time only at -18°C or lower temperatures.

You can keep the freshness of food for many months (at -18°C or lower temperatures in the deep freeze).

Foods to be frozen should not be allowed to come in contact with the previously frozen items to prevent them from getting thawed partially.

Boil the vegetables and drain their water in order to store vegetables for a longer time as frozen. After draining their water, put them in air-proof packages and place them inside the freezer. Food such as bananas, tomatoes, lettuce, celery, boiled eggs, potatoes are not suitable for freezing. When these foods are frozen, their nutritional value and taste may be negatively affected. This could create a risk to human health.

5.13. Placing the food

Freezer compartment shelves	Various frozen foods such as meat, fish, ice cream, vegetables and etc.
Refrigerator compartment shelves	Food in pans, covered plates and closed containers, eggs (in closed container)
Door shelves of fridge compartment	Small and packaged food or beverage
Crisper	Vegetables and fruits

Operating the product

Fresh zone compartment	Delicatessen (breakfast food, meat products that will be consumed in a short time)
------------------------	--

5.14. Door open warning

(This feature is optional)

An audio warning signal will be given when the door of your product is left open for at least 1 minute. This warning will be muted when the door is closed or any of the display buttons (if any) are pressed.

Door open warning is given to user both visually and acoustically. If the warning continues for 10 minutes, interior lights will be turned off.

5.15. Changing the door opening direction

Door opening direction of your refrigerator can be changed according to the place you are using it. If this is necessary, please call your nearest Authorized Service.

Above description is a general statement. For information on changing the opening direction of the door, you must refer to the warning label located on the inner side of the door.

5.16. Illumination lamp

LED lamps are used as illumination lamps. Contact authorized service in case of any problem with this type of light.

The lamp(s) used in this appliance is not suitable for household room illumination. The intended purpose of this lamp is to assist the user to place foodstuffs in the refrigerator/freezer in a safe and comfortable way.

Service life of the product is increased if it is regularly cleaned



WARNING: First unplug the product before cleaning your refrigerator.

- Never use any sharp or abrasive tools, soap, household cleaners, detergent and wax polish for cleaning.
- Dissolve one teaspoon of baking soda in a half-quart of water. Soak a cloth with the solution and wring it out thoroughly. Wipe the interior of the appliance with this cloth and then dry thoroughly.
- Make sure that no water enters the lamp housing and other electrical items.
- Clean the door with a damp cloth. To remove door and body shelves, remove all of its contents. Remove door shelves by moving them upwards. After cleaning, slide them from top to bottom to install.
- Never use cleaning agents or water that contain chlorine to clean the outer surfaces and chromium coated parts of the product. Chlorine causes corrosion on such metal surfaces.
- Do not use sharp, abrasive tools, soap, household cleaning agents, detergents, kerosene, fuel oil, varnish etc. to remove fingerprints on the plastic parts. Use lukewarm water and a soft cloth for cleaning and then wipe it dry.

6.1. Avoiding bad odors

Materials that may cause odor are not used in the production of our appliances. However, inappropriate food preserving conditions and not cleaning the inner surface of the appliance as required can bring forth the problem of odor.

Therefore, clean the refrigerator with baking soda dissolved in water every 15 days.

- Keep the food in closed containers. Microorganisms spreading out from uncovered containers can cause unpleasant odors.
- Never keep foods that have expired Best Before dates and spoiled in the refrigerator.

6.2. Protecting the plastic surfaces

Clean with warm water immediately as oil may damage plastic surfaces.

6.3. Door Glass

Remove the protective foil on the glass.

There is a coating on the surface of the glass. This coating minimizes the stain build-up and helps to remove the possible stains and dirt easily. Glass that is not protected with such a coating may be subject to persistent binding of air or water based organic or inorganic dirt such as limescale, mineral salts, unburned hydrocarbons, metal oxides and silicones that can easily and quickly cause stains or material damage. Keeping the glass clean becomes too difficult despite regular cleaning. Consequently, the appearance and the transparency of the glass deteriorates. Harsh and corrosive cleaning methods and compounds will intensify these defects and speed up the deterioration process. Water-based cleaning products that are not alkaline and corrosive must be used for regular cleaning purposes.

Maintenance and cleaning

Non-alkaline and non-corrosive materials must be used for cleaning so that the service life of this coating lasts for a long time.

This glass is tempered to increase its durability against impacts and breaking.

A safety film is also applied to its rear surface as an extra safety measure to prevent damage to its surroundings in case of a breakage.

7 Troubleshooting

Check this list before calling for service. Doing so will save you time and money. This list includes frequent complaints that are not related to faulty workmanship or materials. Certain features mentioned herein may not apply to your product.

The refrigerator is not working.

- The power plug is not fully seated. >>> Plug it in to seat completely into the socket.
- The fuse connected to the socket powering the product or the main fuse is blown. >>> Check the fuses.

Condensation on the side wall of the cooler compartment (MULTI ZONE, COOL, CONTROL and FLEXI ZONE).

- The environment is too cold. >> Do not install the product in environments with temperatures below -5°C.
- The door is opened too frequently >>> Take care not to open the product's door too frequently.
- The environment is too humid. >>> Do not install the product in humid environments.
- Foods containing liquids are kept in unsealed containers. >>> Keep the foods containing liquids in sealed containers.
- The product's door is left open. >>> Do not keep the product's door open for long periods.
- The thermostat is set to too low temperature. >>> Set the thermostat to appropriate temperature.

Compressor is not working.

- In case of sudden power failure or pulling the power plug out and putting back in, the gas pressure in the product's cooling system is not balanced, which triggers the compressor's thermic safeguard. The product will restart after approximately 6 minutes. If the product does not restart after this period, contact the service.
- Defrosting is active. >>> This is normal for a fully-automatic defrosting product. The defrosting is carried out periodically.
- The product is not plugged in. >>> Make sure the power cord is plugged in.
- The temperature setting is incorrect. >>> Select the appropriate temperature setting.
- The power is out. >>> The product will continue to operate normally once the power is restored.

The refrigerator's operating noise is increasing while in use.

- The product's operating performance may vary depending on the ambient temperature variations. This is normal and not a malfunction.

The refrigerator runs too often or for too long.

Troubleshooting

- The new product may be larger than your previous one. Larger products will run for longer periods.
- The room temperature may be high. >>> The product will normally run for long periods in higher room temperature.
- The product may have been recently plugged in or a new food item is placed inside. >>> The product will take longer to reach the set temperature when recently plugged in or a new food item is placed inside. This is normal
- Large quantities of hot food may have been recently placed into the product. >>> Do not place hot food into the product.
- The doors were opened frequently or kept open for long periods. >>> The warm air moving inside will cause the product to run longer. Do not open the doors too frequently.
- The freezer or cooler door may be ajar. >>> Check that the doors are fully closed.
- The product may be set to too low a temperature. >>> Set the temperature to a higher degree and wait for the product to reach the adjusted temperature.
- The cooler or freezer door gasket may be dirty, worn out, broken or not properly settled. >>> Clean or replace the gasket. Damaged / torn door gasket will cause the product to run for longer periods to preserve the current temperature.

The freezer temperature is very low, but the cooler temperature is adequate.

- The freezer compartment temperature is set to a very low degree. >>> Set the freezer compartment temperature to a higher degree and check again.

The cooler temperature is very low, but the freezer temperature is adequate.

- The cooler compartment temperature is set to a very low degree. >>> Set the freezer compartment temperature to a higher degree and check again.

The food items kept in cooler compartment drawers are frozen.

- The cooler compartment temperature is set to a very low degree. >>> Set the freezer compartment temperature to a higher degree and check again.

The temperature in the cooler or the freezer is too high.

- The cooler compartment temperature is set to a very high degree. >>> Cooler compartment temperature setting has an effect on the freezer compartment temperature. Change the temperature of the cooler or freezer compartment and wait until the temperature of the related compartments come to the adequate level.
- The doors were opened frequently or kept open for long periods. >>> Do not open the doors too frequently.
- The door may be ajar. >>> Fully close the door.
- The product may have been recently plugged in or a new food item is placed inside. >>> This is normal. The product will take longer to reach the set temperature when recently plugged in or a new food item is placed inside.
- Large quantities of hot food may have been recently placed into the product. >>> Do not place hot food into the product.

Shaking or noise.

Troubleshooting

- The floor is not level or firm. >>> If the product is vibrating, adjust the stands to balance the product. Also make sure the floor is firm enough to bear the product.
- Any items placed on the product may cause noise. >>> Remove any items placed on the product.

The product is making noise of liquid flowing, spraying etc.

- The product's operating principles involve liquid and gas flows. >>> This is normal and not a malfunction.

There is sound of wind blowing coming from the product.

- The product uses a fan for the cooling process. This is normal and not a malfunction.

There is condensation on the product's internal walls.

- Hot or humid weather will increase icing and condensation. This is normal and not a malfunction.
- The doors were opened frequently or kept open for long periods. >>> Do not open the doors too frequently; if open, close the door.
- The door may be ajar. >>> Fully close the door.

There is condensation on the product's exterior or between the doors.

- The ambient weather may be humid, this is quite normal in humid weather. >>> The condensation will dissipate when the humidity is reduced.

The interior smells bad.

- The product is not cleaned regularly. >>> Clean the interior regularly using sponge, warm water and baking soda.
- Certain containers and packaging materials may cause odor. >>> Use odor-free containers and packaging materials.
- The foods were placed in unsealed holders. >>> Keep the foods in sealed containers. Microorganisms may spread out of unsealed food items and cause unpleasant odors.
- Remove any expired or spoiled foods from the product.

The door is not closing.

- Food packages may be blocking the door. >>> Relocate any items blocking the doors.
- The product is not standing in full upright position on the ground. >>> Adjust the stands to balance the product.
- The floor is not level or firm. >>> Make sure the floor is level and sufficiently durable to bear the product.

The vegetable bin is jammed.

- The food items may be in contact with the upper section of the drawer. >>> Reorganize the food items in the drawer.



WARNING: If the problem persists after following the instructions in this section, contact your vendor or an Authorized Service. Do not try to repair the product.

8 LIMITED WARRANTY

LIMITED WARRANTY

ONE-YEAR LIMITED WARRANTY

Within the 48 contiguous United States, for one year from the date of purchase, when this appliance is operated and maintained according to instructions attached to or furnished with the product, warrantor will pay for factory-specified parts and repair labor to correct defects in materials or workmanship. Service must be provided by a designated service company. Outside the 48 states, all parts are warranted for one year from manufacturing defects. Plastic parts, shelves and cabinets are warranted to be manufactured to commercially acceptable standards, and are not covered from damage during handling or breakage.

5-YEARS COMPRESSOR WARRANTY

1. The compressor is covered for 5 years.
2. Replacement does not include labor.

ITEMS WARRANTOR WILL NOT PAY FOR:

1. Service calls to correct the installation of your appliance, to instruct you how to use your appliance, to replace or repair fuses or to correct wiring or plumbing.
2. Service calls to repair or replace appliance light bulbs or broken shelves. Consumable parts (such as filters) are excluded from warranty coverage.
3. Damage resulting from accident, alteration, misuse, abuse, fire, flood, acts of God, improper installation, installation not in accordance with electrical or plumbing codes, or use of products not approved by warrantor.
4. Replacement parts or repair labor costs for units operated outside the United States.
5. Repairs to parts or systems resulting from unauthorized modifications made to the appliance.
6. Expenses for travel and transportation for product service in remote locations.
7. The removal and reinstallation of your appliance if it is installed in an inaccessible location or is not installed in accordance with published installation instructions.

DISCLAIMER OF IMPLIED WARRANTIES – LIMITATION OF REMEDIES

CUSTOMER'S SOLE AND EXCLUSIVE REMEDY UNDER THIS LIMITED WARRANTY SHALL BE PRODUCT REPAIR AS PROVIDED HEREIN. IMPLIED WARRANTIES, INCLUDING WARRANTIES OF MERCHANTABILITY OR FITNESS FOR A PARTICULAR PURPOSE, ARE LIMITED TO ONE YEAR. WARRANTOR SHALL NOT BE LIABLE FOR INCIDENTAL OR CONSEQUENTIAL DAMAGES. SOME STATES DO NOT ALLOW THE EXCLUSION OR LIMITATION OF INCIDENTAL OR CONSEQUENTIAL DAMAGES, OR LIMITATIONS ON THE DURATION OF IMPLIED WARRANTIES OF MERCHANTABILITY OR FITNESS, SO THESE EXCLUSIONS OR LIMITATIONS MAY NOT APPLY TO YOU. THIS WARRANTY GIVES YOU SPECIFIC LEGAL RIGHTS AND YOU MAY ALSO HAVE OTHER RIGHTS, WHICH VARY FROM STATE TO STATE.

WARNING! This product may contain chemicals known to the state of California to cause cancer or birth defects or other reproductive harm. For more information, visit: www.summitappliance.com/prop65

Chemicals known by the manufacturer to be present in this product in concentrations higher than threshold limits: NONE.

FELIX STORCH, INC.
770 Garrison Avenue
Bronx, NY 10474
Phone: (718) 893-3900
Fax: (844) 478-8799
www.summitappliance.com

SUMMIT

For parts and accessory ordering,
troubleshooting and helpful hints, visit:
www.summitappliance.com/support

SUMMIT

es

Manual de instrucciones



Lea este manual de usuario antes de utilizar el aparato.

Estimado cliente:

Esperamos que este aparato, que ha sido fabricado en plantas dotadas de la más avanzada tecnología y sometido a los más estrictos procedimientos de control de calidad, le preste un servicio eficaz.

Por lo tanto, lea detenidamente este manual de instrucciones antes de utilizar el aparato y guardar el manual como referencia. Si entrega el aparato a otro propietario, no olvide incluir el manual de usuario.

El manual del usuario le ayudará a usar el aparato de manera rápida y segura.

- Lea el manual antes de instalar y poner en funcionamiento el aparato.
- Asegúrese de haber leído las instrucciones de seguridad.
- Conserve el manual en un sitio de fácil acceso, ya que podría necesitarlo en el futuro.
- Lea los otros documentos incluidos con el producto.

Recuerde que este manual de usuario también es aplicable a otros modelos. Las diferencias entre los modelos se identificarán en el manual.

Explicación de los símbolos

En este manual se utilizan los siguientes símbolos:

	Información importante o consejos de utilidad.
	Existe un riesgo de lesiones y de daños a la propiedad.
	Existe riesgo de descargas eléctricas.
	El embalaje del aparato se fabrica con materiales reciclables, de acuerdo con nuestro Reglamento Nacional sobre Medio Ambiente.

Contenidos

1 Instrucciones importantes para la seguridad y el medio ambiente	3	5 Manejo del aparato	17
2 Familiarizarse con el electrodoméstico	8	5.1. Botón de ajuste de la temperatura	17
3 Instalación	9	5.2. Congelación rápida	17
3.1. Ubicación adecuada para la instalación	9	5.3. Función de vacaciones	18
3.2. Ajuste de los pies	10	5.4. Panel indicador	19
3.3. Conexión eléctrica	10	5.5. Huevera.....	21
3.4. Conexión de la manguera de agua al frigorífico.....	11	5.6. Ventilador.....	21
3.5. Conectar el agua al frigorífico al suministro de agua	11	5.7. Cajón de frutas y verduras	21
3.6. Inversión de las puertas	13	5.8. Compartimento de enfriamiento	21
3.7. Inversión de las puertas	14	5.9. Icematic automático	22
4 Preparación	15	5.10. Congelación de alimentos frescos	23
4.1. Consejos para el ahorro de energía	15	5.11. Recomendaciones para la conservación de alimentos congelados.....	24
4.2. Uso inicial	15	5.12. Información sobre la congelación	24
		5.13. Colocar los alimentos	24
		5.14. Aviso de puerta abierta	25
		5.15. Cambio de la dirección de apertura de la puerta	25
		5.16. Lámpara de iluminación	25
		6 Mantenimiento y limpieza	26
		6.1. Cómo evitar malos olores.....	26
		6.2. Protección de las superficies de plástico	26
		6.3. Vidrios de las puertas	27
		7 Resolución de problemas	28
		8 GARANTÍA LIMITADA	32

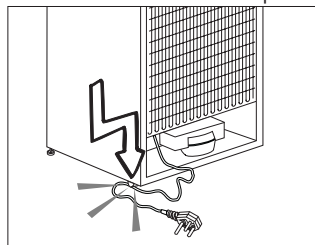
1 Instrucciones importantes para la seguridad y el medio ambiente

Esta sección contiene instrucciones sobre seguridad que le ayudarán a protegerse de posibles riesgos de lesiones o daños a la propiedad. La no observancia de estas instrucciones invalidará la garantía.

1.1. Seguridad general

- Este aparato puede ser utilizado por niños de edades no inferiores a 8 años y personas con discapacidades físicas, sensoriales o mentales o con falta de experiencia o conocimientos, siempre que lo hagan acompañados de una persona adulta familiarizada con el uso seguro del aparato y los posibles riesgos. No permita a los niños jugar con el electrodoméstico. No permita a los niños realizar trabajos de limpieza o mantenimiento del aparato, si no es bajo la supervisión de un adulto.
- Desenchufe el aparato en caso de fallo de funcionamiento.
- Si el aparato presenta alguna anomalía, no lo use hasta que no haya sido reparado por un servicio técnico autorizado. ¡Existe riesgo de descargas eléctricas!
- Conecte el aparato a un enchufe provisto de toma de tierra y protegido por un fusible conforme a los valores indicados en placa de características. Solicite a un electricista cualificado la instalación del sistema de conexión a tierra. Nuestra empresa no se hará responsable de daños provocados por el uso del aparato sin una toma de tierra conforme a las normativas locales.
- Desenchufe el aparato cuando no lo utilice.
- Jamás lave el aparato rociándolo con agua, ¡Existe riesgo de descargas eléctricas!
- Nunca toque el enchufe con las manos húmedas. Jamás desenchufe el aparato tirando del cable, tire siempre del enchufe.

- Se recomienda limpiar regularmente la punta del enchufe con un paño seco.



- No enchufe el frigorífico si el enchufe no encaja con firmeza en la toma de corriente de la pared.
- No conecte el frigorífico a sistemas de ahorro de electricidad. Pueden ser perjudiciales para el aparato.
- Desenchufe el aparato durante los procedimientos de instalación, mantenimiento, limpieza y reparación.
- Deje siempre los procedimientos de instalación y reparación en manos del **servicio técnico autorizado**. El fabricante no se hará responsable de los posibles daños derivados de la realización de dichos procedimientos por parte de personas no autorizadas.
- ¡No consuma los helados o cubitos de hielo inmediatamente después de sacarlos del compartimento congelador! ya que podría sufrir daños en su boca a causa del frío.
- No toque los alimentos congelados con las manos, ya que podrían adherirse a la piel.
- No deposite bebidas embotelladas o enlatadas en el compartimento congelador, ya que podrían explotar.
- No utilice vapor o materiales de limpieza con vapor para limpiar descongelar el frigorífico. El vapor puede causar un cortocircuito o descargas eléctricas al entrar en contacto con las partes eléctricas del frigorífico.

Instrucciones para la seguridad y el medio ambiente

- No utilice dispositivos mecánicos u otros medios para acelerar el proceso de descongelación distintos de los recomendados por el fabricante.
- No utilice nunca elementos del frigorífico tales como la puerta y el cajón como medio de sujeción o como escalón, ya que podría provocar que el aparato volcara o dañe algunas de sus partes.
- Evite dañar el circuito del refrigerante con herramientas cortantes o de perforación. El refrigerante contenido en los canales de gas del evaporador, los conductos o los recubrimientos de las superficies puede causar irritaciones en la piel y lesiones en los ojos.
- No cubra ni bloquee los orificios de ventilación de su frigorífico con ningún material.
- Coloque las bebidas de mayor graduación alcohólica juntas y en posición vertical.
- No utilice pulverizadores con gas cerca del aparato, porque existe riesgo de incendio o explosión.
- No guarde nunca en el frigorífico productos inflamables o que contengan gases inflamables (p. ej. aerosoles).
- No coloque recipientes con líquidos sobre el aparato. Si el agua se vierte sobre un componente eléctrico, podría causar descargas eléctricas o un incendio.
- No guarde en el frigorífico productos (vacunas, medicamentos sensibles al calor, materiales científicos, etc.) que requieran un control preciso de la temperatura.
- Si no va a utilizar el aparato durante un periodo prolongado de tiempo, desenchúfelo y retire los alimentos de su interior.
- Si el aparato incorpora luz azul, no mire a la luz azul con herramientas ópticas.
- Desde el punto de vista de la seguridad eléctrica, es peligroso exponer el aparato a la lluvia, la nieve o el viento.
- En aparatos con control mecánico (termostato), espere un mínimo de 5 minutos antes de volver a enchufar el aparato, si ha sido desenchufado.
- No sobrecargue el aparato. Podrían caerse al abrir la puerta y causar lesiones o daños. Problemas similares pueden producirse si se colocan objetos sobre el aparato.
- Si la puerta del aparato está equipada con un tirador, no tire de él para mover el frigorífico. Podría soltarse.
- Tenga cuidado de que sus manos o cualquier otra parte de su cuerpo no queden atrapada por las piezas móviles del interior del aparato.

1.1.1 Advertencia sobre la seguridad y la salud

- Si el sistema de refrigeración de su aparato contiene R600a:

Este gas es inflamable. Por lo tanto, procure no dañar el sistema de enfriamiento ni sus conductos durante el uso o el transporte del aparato. En caso de daños, mantenga el aparato alejado de fuentes potenciales de ignición que puedan provocar que éste sufra un incendio, y ventile la estancia en la que se encuentre el aparato.

Ignore esta advertencia si el sistema de refrigeración de su aparato contiene R134a.

El tipo de gas utilizado en el aparato se indica en la placa de datos ubicada en la pared interior izquierda del frigorífico.

Jamás arroje el aparato al fuego.

Instrucciones para la seguridad y el medio ambiente

	Si el aparato está equipado con un sistema de refrigeración que contiene gas R134a, ignore esta advertencia.
	Puede ver qué gas se ha utilizado en la fabricación de su aparato en la placa de características ubicada en la parte interior izquierda.
	ADVERTENCIA: Jamás arroje el aparato al fuego.

1.1.2 Para aparatos equipados con dispensador de agua

- La presión de la entrada de agua fría debe ser como máximo de 90 psi (6.2 bar). Si la presión de agua sobrepasa los 80 psi (5.5 bar), use una válvula de limitación de presión en sistema de suministro. Si no sabe cómo comprobar la presión del agua, pida ayuda a un fontanero profesional.
- Si hay riesgo de que haya un efecto de golpe de agua en su instalación, use siempre un dispositivo de prevención de golpe de agua en ella. Consulte con fontaneros profesionales si no está seguro de que no hay efecto de golpe de agua en la instalación.
- No lo coloque en la entrada de agua caliente. Tome precauciones para evitar el riesgo de congelación de las mangueras. EL intervalo de la temperatura del agua en uso debería ser de 33°F (0.6°C) como mínimo y de 100°F (38°C) como máximo.
- Use agua potable únicamente.

1.2. Finalidad prevista

- Este aparato ha sido diseñado para uso doméstico. No es adecuado para un uso comercial y no debe dársele otros usos distintos del uso previsto.
- El aparato debe utilizarse solamente para guardar alimentos.
- El fabricante declina toda responsabilidad derivada de un uso o transporte incorrectos.
- La vida útil de su aparato es de 10 años. Durante este periodo estarán disponibles los recambios originales necesarios para que el aparato funcione adecuadamente.

1.3 Seguridad infantil

- Si la puerta tiene cerradura, mantenga la llave fuera del alcance de los niños.
- Vigile a los niños para evitar que manipulen el aparato.

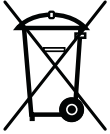


PELIGRO: Riesgo de que los niños queden atrapados. Antes de deshacerse de su viejo frigorífico o congelador:

- Retire las puertas.
- Deje los estantes en su sitio para evitar que los niños puedan meterse en el frigorífico con facilidad.

Instrucciones para la seguridad y el medio ambiente

1.4. Conformidad con la normativa RAEE y eliminación del aparato al final de su vida útil:



Este producto es conforme con la directiva de la UE sobre residuos de aparatos eléctricos y electrónicos (WEEE) (2012/19/UE). Este producto tiene un símbolo de clasificación para el

deshecho de equipos eléctricos y electrónicos (RAEE). Este aparato se ha fabricado con piezas y materiales de primera calidad, que pueden ser reutilizados y son aptos para el reciclado. No se deshaga del producto junto con sus los residuos domésticos normales y de otros tipos al final de su vida útil. Llévelo a un centro de reciclaje de dispositivos eléctricos y electrónicos. Solicite a las autoridades locales información acerca de dichos centros de recogida.

1.5 Cumplimiento de la directiva RoHS:

- El producto que ha adquirido es conforme con la directiva de la UE (RoHS) (2011/65/UE). No contiene ninguno de los materiales nocivos o prohibidos especificados en la directiva.

1.6 Información sobre el embalaje

- El embalaje del aparato se fabrica con materiales reciclables, de acuerdo con nuestro Reglamento Nacional sobre Medio Ambiente. No elimine los materiales de embalaje junto con los residuos domésticos o de otro tipo. Llévelos a un punto de recogida de materiales de embalaje designado por las autoridades locales.



PELIGRO: Riesgo de incendio o explosión. Se usa refrigerante inflamable. No use aparatos mecánicos para descongelar el frigorífico. Evite perforar los tubos de refrigerante.



PELIGRO: Riesgo de incendio o explosión. Se usa refrigerante inflamable. Las reparaciones deben correr a cargo únicamente de personal de asistencia adiestrado. Evite perforar los tubos de refrigerante.



ADVERTENCIA:: Riesgo de incendio o explosión. Se usa refrigerante inflamable. Consulte el manual de reparaciones o la guía del propietario antes de intentar reparar este producto. Es preciso observar todas las precauciones de seguridad.

Instrucciones para la seguridad y el medio ambiente

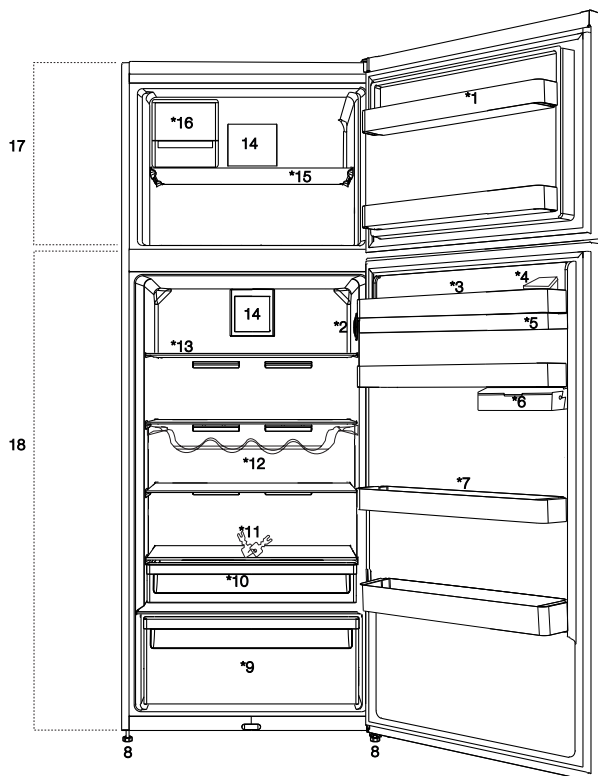


ADVERTENCIA:: Riesgo de incendio o explosión. Deshágase del aparato adecuadamente, según lo dispuesto por las normativas nacionales o locales. Se usa refrigerante inflamable.



ADVERTENCIA:: Precaución - Riesgo de incendio o explosión debido a la perforación de los tubos de refrigerante; siga las instrucciones cuidadosamente. Se usa refrigerante inflamable."

2 Familiarizarse con el electrodoméstico



1. Estante de la puerta del compartimento congelador
2. Botón de ajuste de la temperatura
3. Contenedor de llenado del dispensador de agua
4. Huevera
5. Depósito del dispensador de agua
6. Contenedor de almacenamiento bajo el estante de la puerta
7. Estante móvil
8. Pies ajustables
9. Cajón de frutas y verduras
10. Compartimento de enfriamiento
11. Bloqueo y tecla
12. Estante para botellas
13. Estante de vidrio del compartimento refrigerador
14. Ventilador
15. Estante del compartimento congelador
16. Compartimento de producción de cubitos
17. Compartimento congelador
18. Compartimento frigorífico



***opcional:** Las ilustraciones de este manual se proporcionan a modo de ejemplo y podrían no corresponderse exactamente con su aparato. Si determinadas partes no están presentes en el aparato que usted ha adquirido, indica que la figura corresponde a otro modelo.

3 Instalación

3.1. Ubicación adecuada para la instalación

Contacte con un Servicio Técnico autorizado para la instalación del aparato. Para preparar el aparato para su uso, consulte la información en el manual de instrucciones y asegúrese de que la instalación eléctrica y la instalación de agua sean apropiadas. En caso contrario, llame a un electricista cualificado para la realización de los trabajos necesarios.

- Para lograr un funcionamiento eficiente, el aparato debe instalarse en una zona que disponga de una ventilación adecuada. Si va a colocar el aparato en un hueco de la pared, no olvide dejar una distancia mínima de 2 pulgadas con respecto al techo y las paredes laterales. Deje 2» en la parte posterior
- No instale el aparato en lugares en donde la temperatura pueda ser inferior a 23°F (-5°C).

	ADVERTENCIA: El fabricante no se hará responsable de los daños derivados de la realización de dichos procedimientos por parte de personas no autorizadas.
	ADVERTENCIA: El aparato no debe estar enchufado durante la instalación. De lo contrario, podría sufrir lesiones graves o mortales!
	ADVERTENCIA: Si el espacio de la puerta de la estancia donde vaya a colocar el producto es ajustado que impide el paso del aparato, retire la puerta de la habitación girándola hacia a un lado. Si no funciona, contacte con un servicio técnico autorizado.

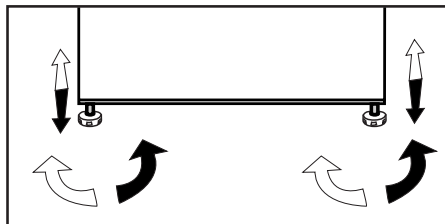
- Coloque el aparato sobre una superficie lisa para evitar sacudidas.
- Instale el aparato a una distancia no inferior de 12 pulgadas de fuentes de calor como placas, hornos, radiadores y estufas y una distancia no inferior a 2 pulgadas de cualquier horno eléctrico.
- No instale el aparato en estancias húmedas o expuestas a la luz solar directa.

Instalación

3.2. Ajuste de los pies

Si el aparato no queda equilibrado tras su instalación, ajuste las pies frontales girándolos de la derecha a la izquierda.

- No use cables de extensión ni múltiples tomacorrientes sin cable entre el aparato y la toma de pared.



3.3. Conexión eléctrica

	ADVERTENCIA: No utilice cables de extensión ni ladrones para realizar la conexión eléctrica.
	ADVERTENCIA: Deje en manos de un servicio técnico autorizado la sustitución de un cable de alimentación dañado.
	En caso de que vaya a instalar dos frigoríficos uno al lado del otro, debe dejar una separación no inferior a 4 cm entre ellos.

- Nuestra empresa no se hará responsable de daños provocados por el uso del aparato sin una toma de tierra conforme a las normativas nacionales.
- Tras la instalación, el enchufe del cable de alimentación debe quedar al alcance de la mano.
- Conecte el frigorífico a una toma de tierra apta para una tensión de 110-120V/ 60 Hz. La salida debe tener un fusible de 10 a 16 A.

Instalación

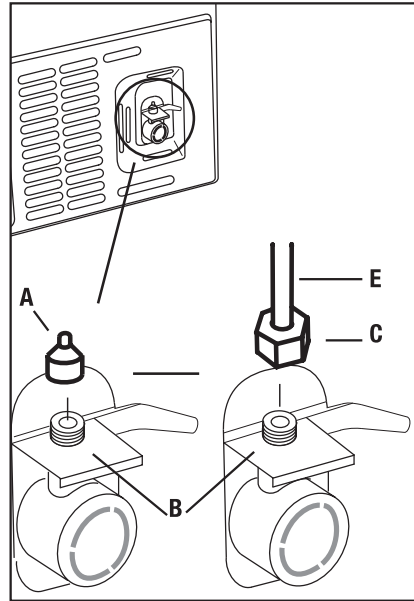
3.4. Conexión de la manguera de agua al frigorífico

Conecte el agua al frigorífico a una válvula de suministro de agua. En caso de que no haya esta válvula no esté presente o si tiene alguna duda, consulte a un fontanero cualificado.

3.5. Conectar el agua al frigorífico al suministro de agua

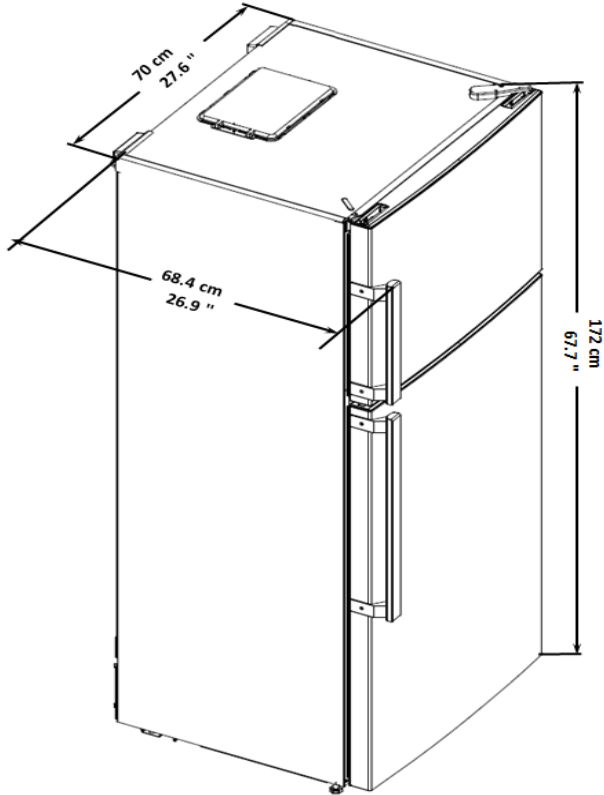
1. Inserte la manguera de agua (A) en el racor (B).
2. Empuje la manguera del agua hacia abajo con fuerza para que se introduzca en la válvula de entrada de agua (C).
3. Apriete el racor (C) manualmente para fijarlo en la manguera de entrada de agua.

Normalmente, no se necesita una herramienta para apretar el racor. Sin embargo, puede utilizar una llave o alicates para apretar el racor si hay una fuga.



Normalmente, no se necesita una herramienta para apretar el racor. Sin embargo, puede utilizar una llave o alicates para apretar el racor si hay una fuga.

Instalación

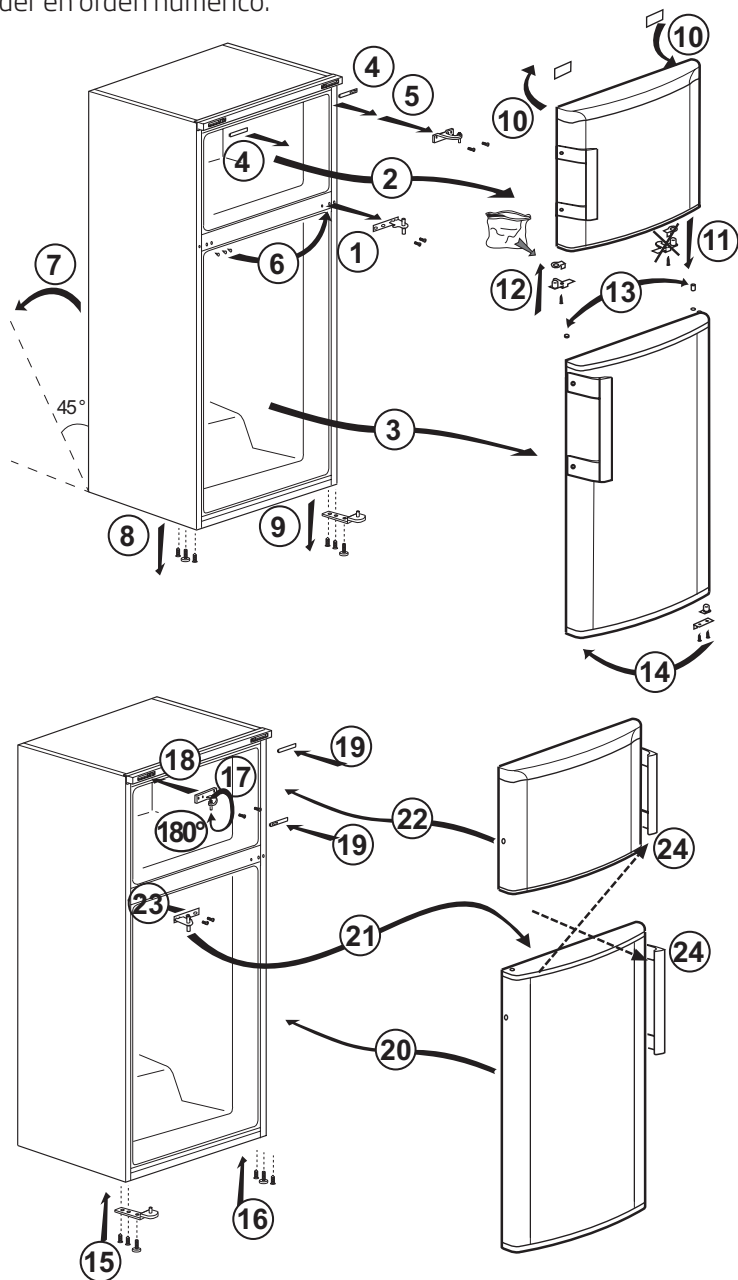


Altura: (cm/inch) desempaquetados	172 - 67 23/32"
Anchura: (cm/pulgadas) desempaquetados	70.4 - 27 23/32"
Profundidad: (cm/pulg) desempaquetados	68.7 - 27 3/64"
Altura: (cm/inch) empaquetados	178.8-70 25/64"
Anchura: (cm/pulgadas) desempaquetados	74.5 - 29 21/64"
Profundidad: (cm/pulg) empaquetado	68.4-26 59/64"
Peso Bruto (Kg) / lbs	78 - 172
Peso Neto (Kg) / lbs	72 - 158.7

Instalación

3.6. Inversión de las puertas

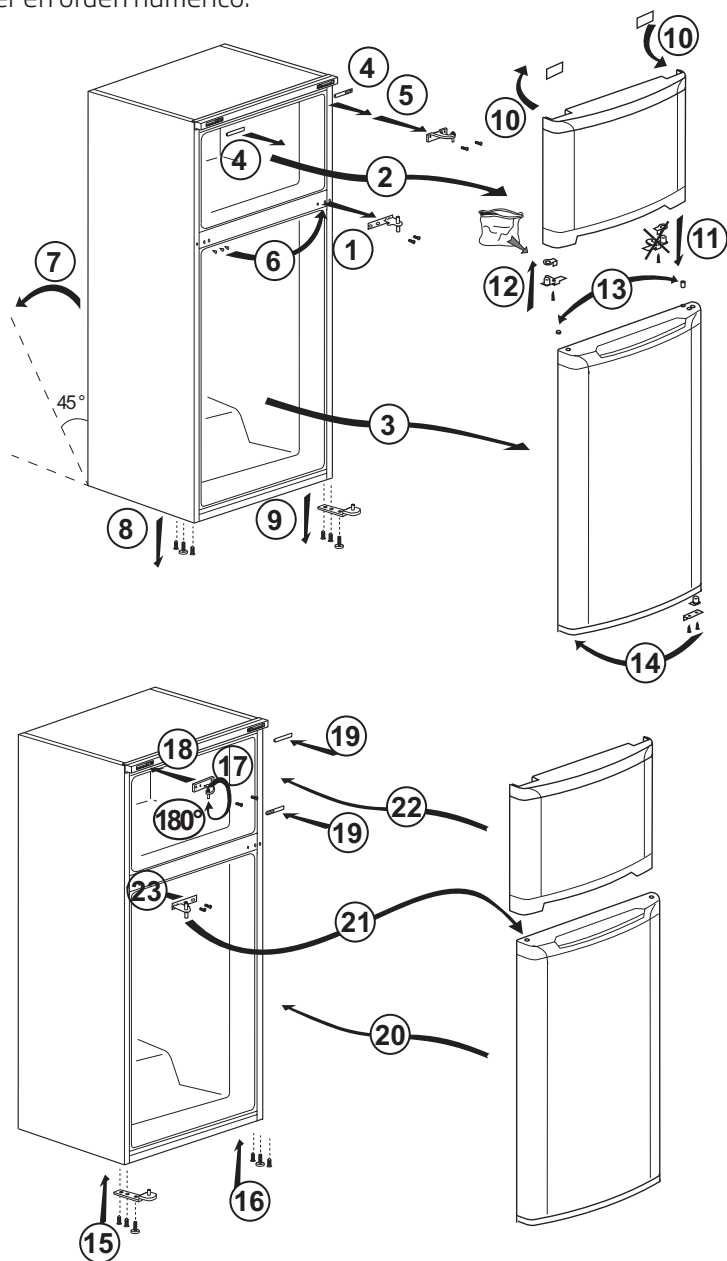
Proceder en orden numérico.



Instalación

3.7. Inversión de las puertas

Proceder en orden numérico.



4 Preparación

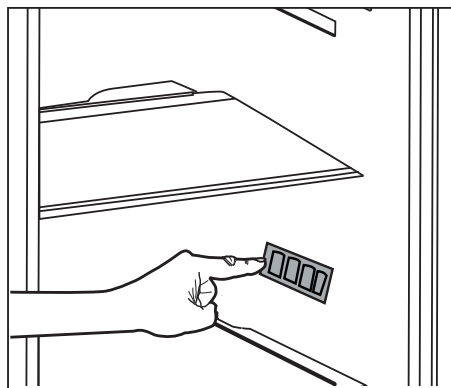
4.1. Consejos para el ahorro de energía



El aparato podría sufrir daños si se conecta a sistemas de ahorro de energía, por lo que es arriesgado.

- No deje las puertas del frigorífico abiertas durante periodos largos de tiempo.
- No introduzca alimentos o bebidas calientes en el frigorífico.
- No sobrecargue el frigorífico, pues se reducirá la capacidad de enfriamiento si se obstaculiza la circulación del aire en el interior.
- Para poder almacenar la máxima cantidad de alimentos en el compartimento del congelador, debe retirar el icematic, ubicado allí y que puede ser retirado con la mano. El volumen neto y el consumo energético especificados en la placa de datos del frigorífico se miden y se prueban retirando el frigorífico. No retire los estantes de dentro del compartimento del congelador de la puerta del compartimento del congelador. Úselos siempre, pues facilitan el uso del aparato y ayudan al consumo energético eficiente.
- No bloquee el flujo de aire colocando alimentos a los lados del ventilador del compartimento del congelador. Deje una distancia mínima de 3 cm a los lados de las paredes de la cobertura de protección del ventilador.
- Use siempre los canastos/cajones que se suministran con el compartimento del congelador para obtener un menor consumo de energía y mejores condiciones de almacenamiento.
- El contacto de los alimentos con el sensor de temperatura en el compartimento congelador puede elevar el consumo de energía del

electrodoméstico. Por lo tanto, se debe evitar todo contacto con el/los sensor/es.



- Según las características del electrodoméstico, descongele los alimentos congelados en el compartimento del frigorífico para obtener un ahorro energético y conservar la calidad de los alimentos.
- No deje que los alimentos entren en contacto con el sensor de temperatura del compartimento del frigorífico que aparece en la imagen de más arriba.

4.2. Uso inicial

Antes de empezar a utilizar el frigorífico, compruebe que se hayan realizado todas las preparaciones indicadas en las secciones "Instrucciones importantes sobre seguridad" e "Instalación".

- Mantenga el aparato en funcionamiento durante 6 horas sin alimentos en su interior y no abra la puerta si no es estrictamente necesario.



Se oye un ruido cada vez que el compresor se pone en funcionamiento. Los líquidos y los gases contenidos en el sistema de refrigeración pueden también generar ruidos, incluso aunque el compresor no esté funcionando, lo cual es normal.



Es posible que las aristas delanteras del aparato se noten calientes al tacto. Esto es normal. Estas zonas deben permanecer calientes para evitar la condensación.



En algunos modelos, el panel de instrumentos se apaga automáticamente 5 minutos después de que la puerta se haya cerrado. Se reactivará cuando la puerta se abra o cuando se pulse cualquier tecla.

5 Manejo del aparato

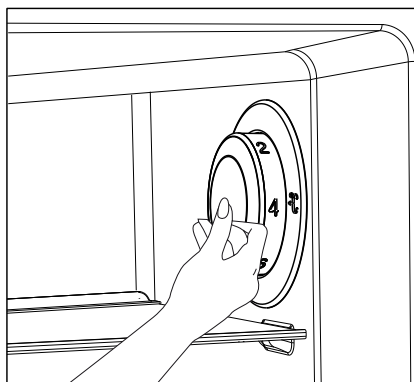
5.1. Botón de ajuste de la temperatura

La temperatura interior del frigorífico cambia debido a los siguientes motivos;

- Temperatura de la estación.
- Abrir la puerta con frecuencia y dejarla abierta durante mucho tiempo.
- Introducir en el frigorífico alimentos sin esperar que su temperatura alcance la temperatura ambiente
- La ubicación del frigorífico en la estancia (por ejemplo, que esté expuesto a la luz solar)
- Puede ajustar las variaciones de la temperatura interior debidas, por ejemplo, a la utilización del botón de ajuste.

Los números alrededor del mando de control indican los valores de temperatura en "°C".

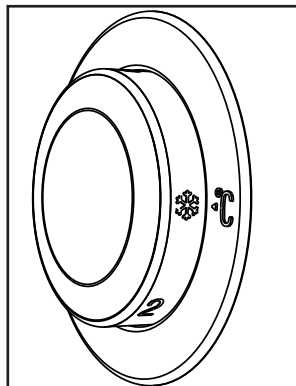
Si la temperatura ambiente es de 25°C, le recomendamos que use el mando de control del frigorífico a 4°C. Puede aumentar o disminuir este valor como sea necesario en otras temperaturas ambiente.



5.2. Congelación rápida

Si va a congelar grandes cantidades de alimentos frescos, ponga el mando de control en la posición de (❄) máx. 24 horas antes de depositar los alimentos en el compartimento de congelación rápida.

Se recomienda encarecidamente mantener el mando de control en la posición MAX durante por lo menos 24 horas para congelar la cantidad máxima de alimentos correspondiente a la capacidad de congelación. Ponga especial cuidado en no mezclar alimentos frescos y alimentos ya congelados.



***opcional:** Las ilustraciones de este manual se proporcionan a modo de ejemplo y podrían no corresponderse exactamente con su aparato. Si determinadas partes no están presentes en el aparato que usted ha adquirido, indica que la figura corresponde a otro modelo.

Funcionamiento del aparato

Recuerde volver a situar el mando del termostato en su posición previa una vez los alimentos se hayan congelado.

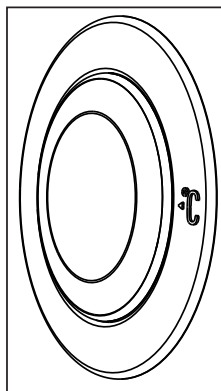
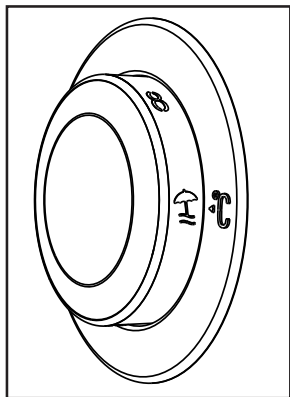
5.3. Función de vacaciones

Si las puertas del aparato no se abren durante 12 horas tras poner el termostato en la posición de máximo calor, la función de vacaciones se activará automáticamente.

Para cancelar la función, cambie los ajustes del mando.

No se recomienda almacenar alimentos en el compartimento de más frío cuando la función de vacaciones esté activa.

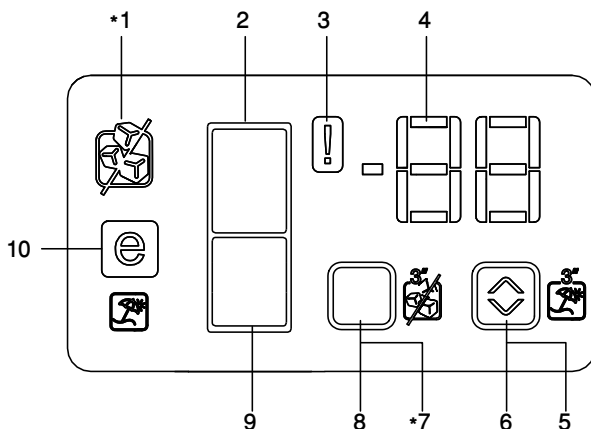
- Cuando el ajuste haya finalizado, podrá pulsar el termostato y esconderlo.



Funcionamiento del aparato

5.4. Panel indicador

Los paneles indicadores pueden variar dependiendo del modelo de aparato. Las funciones audiovisuales del panel indicador le ayudan a utilizar el aparato.



1. Indicador de funcionamiento automático de la máquina de hielo automática
2. Indicador del compartimento frigorífico
3. Indicador de error
4. Indicador de temperatura
5. Botón del modo vacaciones
6. Botón de ajuste de la temperatura
7. Botón de cancelación de la formación de hielo
8. Botón de selección de compartimento
9. Indicador del compartimento congelador
10. Indicador del modo ahorro



***opcional:** Las ilustraciones de este manual se proporcionan a modo de ejemplo y podrían no corresponderse exactamente con su aparato. Si determinadas partes no están presentes en el aparato que usted ha adquirido, indica que la figura corresponde a otro modelo.

Funcionamiento del aparato

1. Indicador de funcionamiento automático de la máquina de hielo automática

Este símbolo aparece en la pantalla al activar la función de cancelación de la formación de hielo

2. Indicador del compartimento frigorífico

La luz del compartimento frigorífico se enciende al ajustar la temperatura del compartimento frigorífico.

3. Indicador de error

Este indicador se activará si su frigorífico no enfría adecuadamente o si hay un fallo en el sensor. Cuando este indicador esté encendido, el indicador de la temperatura del compartimento congelador mostrará "e" y el indicador de temperatura del compartimento frigorífico mostrará números, por ejemplo "1,2,3...". Estos números proporcionan al personal de mantenimiento información acerca del error.

4. Indicador de temperatura

Indica la temperatura de los compartimentos frigorífico y congelador.

5. Botón del modo vacaciones

Mantenga pulsado el botón durante 3 segundos para activar la función de vacaciones. Pulse de nuevo este botón para desactivar la función seleccionada.

6. Botón de ajuste de la temperatura

Cambia la temperatura del compartimento correspondiente en un rango de entre -5°F / 21°C y $+46^{\circ}\text{F}$ / 8°C .

7. Botón de cancelación de la formación de hielo

Al mantener pulsado este botón durante 3 segundos, el frigorífico detiene la formación de hielo.

8. Compartimento frigorífico

Botón de selección Pulse el botón de selección de compartimento para alternar entre el compartimento frigorífico y el compartimento congelador.

9. Indicador del compartimento congelador

La luz del compartimento congelador se enciende al ajustar la temperatura del compartimento congelador.

10. Indicador del modo ahorro

Indica que el frigorífico está funcionando en modo de eficiencia energética. Este indicador estará activo si la temperatura del compartimento congelador se fija en $+5^{\circ}\text{F}$ / -15°C .

Funcionamiento del aparato

5.5. Huevera

Puede instalar la huevera en la puerta o el estante que desee. Si va a colocarlo en los estantes del cuerpo, se recomienda usar los estantes inferiores más fríos.

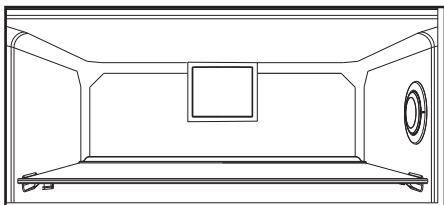


No ponga la huevera en el compartimento congelador

5.6. Ventilador

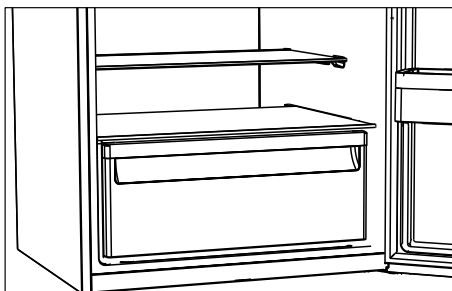
"El ventilador turbo está diseñado para garantizar una distribución y circulación homogéneas del aire frío en el interior del su frigorífico. El tiempo de funcionamiento puede variar según las propiedades del electrodoméstico.

En algunos modelos, el ventilador funciona únicamente cuando lo hace el compresor, mientras que en otros el sistema de control determina su tiempo de funcionamiento de acuerdo con las necesidades de enfriamiento.



5.7. Cajón de frutas y verduras

El cajón de frutas y verduras de su aparato está especialmente diseñado para mantener la frescura de sus vegetales sin que pierdan su humedad. Con este fin, alrededor del cajón de frutas y verduras se intensifica la circulación de aire frío.

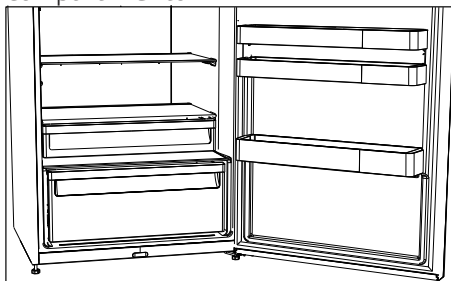


5.8. Compartimento de enfriamiento

(Característica opcional)

Use este compartimento para almacenar delicatessen que deban almacenarse a temperaturas más bajas o productos cárnicos que vaya a consumir dentro de poco tiempo.

El compartimento refrigerador es el lugar más frío del frigorífico, donde podrá almacenar productos lácteos, carnes, pescado y carne de ave de corral en las mejores condiciones. No almacene frutas ni verduras en este compartimento.



Funcionamiento del aparato

5.9. Icematic automático

(Característica opcional)

El Icematic automático le permite fabricar hielo en el frigorífico fácilmente. Retire el depósito del agua del compartimento frigorífico, llénelo de agua y vuélvalo a colocar para obtener hielo del sistema Icematic.

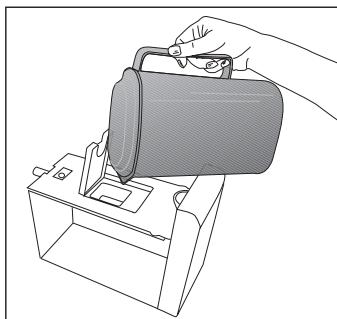
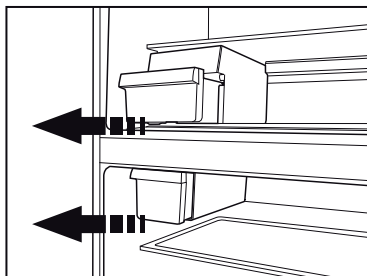
Los primeros cubitos estarán disponibles al cabo de unas dos horas en la cubitera del sistema Icematic ubicada en el compartimento congelador.

Si llena por completo el depósito de agua, podrá obtener aproximadamente entre 60 y 70 cubitos de hielo.

Cambie el agua del depósito de agua si ha estado allí durante 2-3 semanas.



Para los productos que tienen el Icematic automático, se puede oír cuando se esté formando el hielo. Este sonido es normal y en ningún caso indica un fallo.



Funcionamiento del aparato

5.10. Congelación de alimentos frescos

- Para preservar la calidad de los alimentos, debe congelarlos tan pronto como sea posible cuando los coloque en el compartimento congelador. Utilice la función de congelación rápida para esta finalidad.
- Puede guardar los alimentos durante más tiempo en el compartimento congelador cuando los congele cuando estén frescos.
- Envuelva los alimentos que vaya a congelar y cierre el envase para que quede hermético.
- Asegúrese de envolver bien los alimentos antes de colocarlos en el congelador. Use contenedores para congelador, láminas y papeles antihumedad, bolsas de plástico y otros materiales de embalaje en vez de papeles de embalaje tradicionales.

- Etiquete cada paquete de alimentos con la fecha antes de congelarlos. De esta manera, podrá distinguir el frescor de cada paquete de alimentos cada vez que abra el congelador. Guarde los alimentos congelados en la parte frontal del compartimento para asegurar que se consuman primero.



El compartimento del congelador se deshuela de manera automática.

- Consuma inmediatamente los alimentos recién descongelados, y no los vuelva a congelar.
- No congele cantidades demasiado grandes de una sola vez.

Ajuste del compartimento congelador	Ajuste del compartimento frigorífico	Comentarios
-18°C/4°F	4°C/40°F	Estos son los valores de uso recomendados.
-20/-4°F,-22/ -6°F o -24°C/-11°F	4°C/40°F	Se recomiendan estos valores cuando la temperatura ambiente rebase los 30 °C.
Congelación rápida	4°C/40°F	Se utiliza para congelar los alimentos rápidamente. El aparato volverá a su modo de funcionamiento previo una vez finalizado el proceso.
-18°C/4°F o más frío	2°C/37°F	Utilice estos ajustes si cree que el compartimento frigorífico no está suficientemente frío debido a las altas temperaturas ambientales o por la frecuente apertura y cierre de la puerta.

Temperatura de uso recomendada: FF: 4°C /40 °F Cong.: -18°C/4 °F

Funcionamiento del aparato

5.11. Recomendaciones para la conservación de alimentos congelados

El compartimento no debe estar a más de -18°C .

1. Coloque los paquetes de alimentos congelados en el congelador lo antes posible tras su compra sin dejar que se descongelen.
2. Compruebe si las fechas de consumo preferente y caducidad de los envases han vencido o no antes de congelarlos.
3. Asegúrese de que el envase de comida no esté dañado.

5.12. Información sobre la congelación

Las normas TSE 62552 exigen que el aparato congele al menos 4,5 kg de alimentos a una temperatura ambiente de 32°C a una temperatura interior de -18°C o inferior en menos de 24 horas por cada 100 litros (3,5 metros cúbicos) de volumen del congelador.

Los alimentos sólo pueden conservarse durante periodos prolongados de tiempo a temperaturas de -18°C o menos.

Los alimentos frescos pueden conservarse durante muchos meses en el congelador a temperaturas de -18°C o menos.

No deje que los alimentos entren en contacto con alimentos previamente congelados, con el fin de evitar que éstos puedan descongelarse parcialmente.

Hierva las verduras y drene el agua para almacenarla durante más tiempo ya que estarán congeladas. Después de descargar el agua, colóquelos en paquetes herméticos y colóquelos dentro del congelador.

Alimentos tales como plátanos, tomates, lechuga, huevos duros y patatas hervidas saladas no son aptas para la congelación. Cuando estos alimentos estén congelados, su valor nutricional y sabor pueden verse afectados negativamente. Esto podría crear un riesgo para la salud humana.

5.13. Colocar los alimentos

Estantes del compartimento congelador	Alimentos congelados diversos tales como carnes, pescados, helados, verduras, etc.
Estantes del compartimento frigorífico	Alimentos en cazuelas, platos cubiertos y recipientes cerrados, huevos (en recipientes cerrados)
Estantes de la puerta del compartimento frigorífico	Alimentos o bebidas en envases pequeños

Funcionamiento del aparato

Cajón de frutas y verduras	Verduras y frutas
Compartimento de alimentos frescos	Las delicatessen (comida de desayuno, productos cárnicos que vayan a consumirse en poco tiempo)

5.14. Aviso de puerta abierta

(Característica opcional)

El frigorífico emitirá una señal acústica de aviso cuando la puerta del aparato permanezca abierta más de un 1 minuto. Está advertencia quedará silenciada cuando se cierre la puerta o se pulse cualquiera de los botones de la pantalla (si los hay).

La advertencia de puerta abierta se da tanto en forma visual como acústica. Si la advertencia prosigue durante 10 minutos, las luces interiores se apagarán.

5.15. Cambio de la dirección de apertura de la puerta

Puede cambiar la dirección de apertura de la puerta de su frigorífico en función del lugar en donde lo use. Si es necesario, or favor, llame al servicio técnico más cercado.

La descripción anterior es una información acerca del cambio de la dirección de la puerta, deberá consultar la etiqueta de advertencia del lado interior de la puerta.

5.16. Lámpara de iluminación

Las luces LED se usan como lámparas de iluminación. Contacte con un servicio técnico autorizado en caso de que haya algún problema con este tipo de luz.

La(s) luz(ces) usadas en este aparato no son aptas para la iluminación de las habitaciones del hogar. El fin previsto de la luz es ayudar al usuario a colocar alimentos en el frigorífico/congelador de una manera segura y cómoda.

La vida útil del aparato aumentará si lo limpia regularmente.



ADVERTENCIA: Desenchufe primero el aparato antes de limpiarlo.

- No utilice nunca para la limpieza herramientas afiladas o abrasivas, jabones, limpiadores domésticos, detergentes ni ceras abrillantadoras.
- Disuelva una cucharadita de bicarbonato en medio cuarto de agua. Empape un trapo en la solución y escúrralo totalmente. Limpie el interior del aparato con este paño y luego séquelo totalmente.
- Asegúrese de que no penetre agua en el alojamiento de la lámpara ni otros elementos eléctricos.
- Utilice un paño húmedo para limpiar la puerta. Para retirar la puerta y los estantes, retire todos sus contenidos. Retire los estantes de la puerta tirando de ellos hacia arriba. Tras limpiarlos, deslícelos de arriba hacia abajo para su colocación.
- Nunca use agentes de limpieza o agua que contengan cloro para limpiar las superficies exteriores y los cromados del producto, ya que el cloro corroe dichas superficies metálicas.
- No use herramientas afiladas o abrasivas, jabón, agentes de limpieza domésticos detergentes, queroseno, gasolina, barniz, etc. para eliminar las huellas dactilares de las piezas de plástico. Use agua tibia un un paño suave para limpiarlo, y luego séquelo.

6.1. Cómo evitar malos olores

Nuestros electrodomésticos no se fabrican con materiales que puedan producir olores. Sin embargo, una conservación inadecuada de los alimentos y la falta de limpieza de la superficie interior del electrodoméstico pueden dar lugar a un problema de olores.

Por lo tanto, limpie el frigorífico con bicarbonato disuelto en agua cada 15 días.

- Conserve los alimentos en recipientes cerrados. Los microorganismos que proliferan en los envases no cubiertos pueden causar malos olores.
- Retire del frigorífico los alimentos cuya fecha de caducidad haya vencido y estén en mal estado.

6.2. Protección de las superficies de plástico

Límpielos con agua caliente inmediatamente, puesto que el aceite podría dañar las superficies de plástico.

6.3. Vidrios de las puertas

Retire la lámina protectora de los vidrios.

Hay una capa que reduce al mínimo la formación de manchas y ayuda a eliminarlas con facilidad, así como la suciedad que pueda depositarse. Los vidrios que no disponen de este recubrimiento de protección pueden verse sometidos a la acción persistente de sustancias orgánicas o inorgánicas presentes en el aire o el agua como por ejemplo cal, sales minerales, hidrocarburos sin quemar, óxidos de metal y siliconas que pueden causar con facilidad y rapidez manchas o daños materiales. Resulta muy difícil mantener el vidrio siempre limpio, a pesar de la limpieza regular. En consecuencia, el aspecto y la transparencia del vidrio se deteriora. Los métodos y productos de limpieza fuertes y corrosivos intensificarán estos efectos y acelerarán el proceso de deterioro.

Limpie siempre los vidrios con productos de limpieza con base acuosa que no sean alcalinos ni corrosivos.

Utilice siempre productos no alcalinos ni corrosivos para la limpieza, a fin de prolongar al máximo la vida útil de este recubrimiento.

Son vidrios templados para incrementar su resistencia frente a impactos y roturas.

La superficie posterior de los vidrios cuenta con una película de seguridad que evita que cause daños a los objetos circundantes en caso de rotura.

7 Resolución de problemas

Consulte la siguiente lista antes de llamar al servicio técnico. Si lo hace podrá ahorrar tiempo y dinero. La lista incluye las quejas más comunes que no tienen relación con un problema de fabricación ni con el material usado. Puede que ciertas características mencionadas aquí no sean de aplicación a este aparato.

El frigorífico no funciona.

- El enchufe de alimentación no está colocada correctamente. >>> Enchúfelo para colocarlo correctamente en la toma de alimentación.
- El fusible conectado a la toma de corriente del aparato o el fusible principal están fundidos. >>> Compruebe los fusibles.

Condensación en la pared lateral del compartimento frigorífico (MULTIZONA, CONTROL DE FRÍO y FLEXI ZONA).

- El ambiente es demasiado frío. >>> No instale el aparato en ambientes con una temperatura por debajo de -5°C.
- La puerta se abre con demasiada frecuencia >>> Intente no abrir la puerta tan a menudo.
- El ambiente es demasiado húmedo. >>> No instale el aparato en ambientes demasiado húmedos.
- Los alimentos que contengan líquidos están guardados en recipientes no sellados. >>> Guarde los alimentos que contengan líquidos en recipientes sellados.
- La puerta del aparato se ha dejado abierta. >>> No deje la puerta del aparato abierta durante mucho tiempo.
- El termostato está ajustado a un nivel muy bajo. >>> Ajuste el termostato a una temperatura adecuado.

El compresor no funciona.

- En caso de que haya un apagón repentino o de desenchufar el cable y enchufarlo de nuevo, la presión de gas del sistema de refrigeración del aparato no estará equilibrada, lo que accionará la protección térmica del compresor. El aparato se reiniciará aproximadamente al cabo de 6 minutos. Si el aparato no se reinicia después de este período, contacte con el servicio técnico.
- La descongelación está todavía activo. >>> Esto es normal en un congelador con descongelación automática. La descongelación se realiza periódicamente.
- El aparato no está enchufado. >>> Asegúrese de que el cable de alimentación está enchufado.
- El ajuste de temperatura es incorrecto. >>> Seleccione el ajuste de temperatura adecuado.
- Se ha cortado el suministro eléctrico. >>> El aparato seguirá funcionando con normalidad una vez que el suministro se haya restablecido.

El ruido de funcionamiento del frigorífico aumenta durante su uso.

- Tales valores variarán en función de las fluctuaciones de la temperatura ambiente. Esto es perfectamente normal, y no constituye una avería.

El frigorífico está mucho tiempo funcionando o se enciende con demasiada frecuencia.

Resolución de problemas

- Puede que su nuevo aparato sea más grande que el que tenía anteriormente. Los aparatos más grandes funcionarán durante más tiempo.
- Puede que la temperatura ambiente sea alta. >>> El aparato funcionará normalmente durante largos períodos de tiempo con una temperatura ambiente más alta.
- Puede que el aparato se haya enchufado recientemente o que se haya colocado un nuevo alimento en su interior. >>> El aparato tardará más en alcanzar la temperatura cuando haya sido enchufado recientemente o cuando se coloque un nuevo alimento en su interior. Esto es normal.
- Puede que se haya colocado grandes cantidades de alimentos calientes en el aparato. >>> No coloque alimentos calientes en el aparato.
- Las puertas se han abierto demasiado a menudo o se dejan abiertas durante largos períodos de tiempo. >>> El aire circulante en el interior hará que el aparato funcione durante más tiempo. No abra las puertas con demasiada frecuencia.
- Puede que el congelador o la puerta del congelador esté entreabierta. >>> Compruebe que las puertas estén totalmente cerrados.
- Puede que el aparato esté configurado con una temperatura demasiado baja. >>> Fíjela la temperatura a un grado más alto y espere a que el aparato alcance la temperatura establecida.
- Es posible que la junta de la puerta del compartimento frigorífico o congelador esté sucia, desgastada, rota o no asentada correctamente. >>> Limpie o sustituya la junta. Una junta de puerta rota / dañada hará que el aparato funcione durante más tiempo para preservar la temperatura actual.

La temperatura del frigorífico es muy baja, pero la del congelador es adecuada.

- La temperatura del compartimento congelador está fijada a un grado muy bajo. >>> Fíjela a un grado más alto y compruébelo de nuevo.

La temperatura del frigorífico es muy baja, mientras que la del congelador es adecuada.

- La temperatura del compartimento congelador está fijada a un grado muy bajo. >>> Fíjela a un grado más alto y compruébelo de nuevo.

Los alimentos depositados en los cajones del compartimento frigorífico están congelados.

- La temperatura del compartimento congelador está fijada a un grado muy bajo. >>> Fíjela a un grado más alto y compruébelo de nuevo.

La temperatura del congelador o del frigorífico es demasiado alta.

Resolución de problemas

- La temperatura del compartimento congelador está fijada a un grado muy bajo. >>> La temperatura del compartimento refrigerador incide en la temperatura del compartimento congelador. Cambie las temperaturas del frigorífico o el congelador y espere hasta que la temperatura de los compartimentos correspondientes estén a un nivel adecuado.
- Las puertas se han abierto demasiado a menudo o se dejan abiertas durante largos períodos de tiempo. >>> No abra las puertas con demasiada frecuencia.
- Puede que la puerta esté entreabierta. >>> Cierre la puerta totalmente.
- Puede que el aparato se haya enchufado recientemente o que se haya colocado un nuevo alimento en su interior. >>> Esto es normal. El aparato tardará más en alcanzar la temperatura cuando haya sido enchufado recientemente o cuando se coloque un nuevo alimento en su interior.
- Puede que se haya colocado grandes cantidades de alimentos calientes en el aparato. >>> No coloque alimentos calientes en el aparato.

Sacudidas o ruidos.

- El suelo no está nivelado o estable. >>> Si el aparato vibra, ajuste los pies para equilibrarlo. Compruebe además que el suelo sea lo suficientemente firme para soportar el aparato.
- Cualquier elemento colocado en el aparato puede provocar ruidos >>> Retire cualquier elemento colocado en el producto.

El aparato emite ruido del líquido en circulación, pulverización, etc.

- Los líquidos y gases fluyen en función de los principios de funcionamiento del frigorífico. >>> Esto es normal y no es una avería.

El aparato emite un ruido de soplido de viento.

- El aparato usa un ventilador para el proceso de refrigeración. Esto es perfectamente normal, y no constituye una avería.

Hay condensación en las paredes internas del aparato.

- El tiempo cálido y húmedo favorece la formación de hielo y la condensación. Esto es perfectamente normal, y no constituye una avería.
- Las puertas se han abierto demasiado a menudo o se dejan abiertas durante largos períodos de tiempo. >>> No abra las puertas con demasiada frecuencia. Si las abre, ciérrelas.
- Puede que la puerta esté entreabierta. >>> Cierre la puerta totalmente.

Hay condensación en el exterior del aparato o entre sus puertas.

- Puede que haya humedad en el aire; es algo bastante normal en climas húmedos. >>> Cuando el grado de humedad descienda, la condensación desaparecerá.

Resolución de problemas

El interior huele mal.

- El producto no se limpia regularmente. >>> Limpie el interior regularmente con una esponja, agua caliente y bicarbonato.
- Ciertos recipientes y materiales de embalaje pueden causar mal olor. >>> Utilice recipientes y materiales de embalaje libres de malos olores.
- Los alimentos están guardados en recipientes no sellados. >>> Guarde los alimentos en recipientes sellados. Los microorganismos pueden propagarse fuera de los recipientes de alimentos y causar olores desagradables.
- Retire cualquier alimentos caducado o descompuesto del aparato.

La puerta no cierra.

- Puede que los paquetes de comida estén bloqueando la puerta. >>> Recoloque los elementos que estén bloqueando la puerta.
- El aparato no está colocado en el suelo en una posición totalmente vertical. >>> Ajuste los soportes para equilibrar el aparato.
- El suelo no está equilibrado o no es sólido. >>> Compruebe además que el suelo esté nivelado y que sea capaz de soportar el peso del frigorífico.

El cajón de las verduras está atascado.

- Puede que los alimentos estén en contacto con la sección superior del cajón. >>> Reorganice los alimentos del cajón.



ADVERTENCIA: Si el problema persiste después de seguir las instrucciones en este apartado, contacte con un distribuidor o con el servicio técnico autorizado. No intente reparar el aparato.

8 GARANTÍA LIMITADA

LIMITED WARRANTY

ONE-YEAR LIMITED WARRANTY

Within the 48 contiguous United States, for one year from the date of purchase, when this appliance is operated and maintained according to instructions attached to or furnished with the product, warrantor will pay for factory-specified parts and repair labor to correct defects in materials or workmanship. Service must be provided by a designated service company. Outside the 48 states, all parts are warranted for one year from manufacturing defects. Plastic parts, shelves and cabinets are warranted to be manufactured to commercially acceptable standards, and are not covered from damage during handling or breakage.

5-YEARS COMPRESSOR WARRANTY

1. The compressor is covered for 5 years.
2. Replacement does not include labor.

ITEMS WARRANTOR WILL NOT PAY FOR:

1. Service calls to correct the installation of your appliance, to instruct you how to use your appliance, to replace or repair fuses or to correct wiring or plumbing.
2. Service calls to repair or replace appliance light bulbs or broken shelves. Consumable parts (such as filters) are excluded from warranty coverage.
3. Damage resulting from accident, alteration, misuse, abuse, fire, flood, acts of God, improper installation, installation not in accordance with electrical or plumbing codes, or use of products not approved by warrantor.
4. Replacement parts or repair labor costs for units operated outside the United States.
5. Repairs to parts or systems resulting from unauthorized modifications made to the appliance.
6. Expenses for travel and transportation for product service in remote locations.
7. The removal and reinstallation of your appliance if it is installed in an inaccessible location or is not installed in accordance with published installation instructions.

DISCLAIMER OF IMPLIED WARRANTIES – LIMITATION OF REMEDIES

CUSTOMER'S SOLE AND EXCLUSIVE REMEDY UNDER THIS LIMITED WARRANTY SHALL BE PRODUCT REPAIR AS PROVIDED HEREIN. IMPLIED WARRANTIES, INCLUDING WARRANTIES OF MERCHANTABILITY OR FITNESS FOR A PARTICULAR PURPOSE, ARE LIMITED TO ONE YEAR. WARRANTOR SHALL NOT BE LIABLE FOR INCIDENTAL OR CONSEQUENTIAL DAMAGES. SOME STATES DO NOT ALLOW THE EXCLUSION OR LIMITATION OF INCIDENTAL OR CONSEQUENTIAL DAMAGES, OR LIMITATIONS ON THE DURATION OF IMPLIED WARRANTIES OF MERCHANTABILITY OR FITNESS, SO THESE EXCLUSIONS OR LIMITATIONS MAY NOT APPLY TO YOU. THIS WARRANTY GIVES YOU SPECIFIC LEGAL RIGHTS AND YOU MAY ALSO HAVE OTHER RIGHTS, WHICH VARY FROM STATE TO STATE.

WARNING! This product may contain chemicals known to the state of California to cause cancer or birth defects or other reproductive harm. For more information, visit: www.summitappliance.com/prop65

Chemicals known by the manufacturer to be present in this product in concentrations higher than threshold limits: NONE.

FELIX STORCH, INC.
770 Garrison Avenue
Bronx, NY 10474
Phone: (718) 893-3900
Fax: (844) 478-8799
www.summitappliance.com

SUMMIT

For parts and accessory ordering,
troubleshooting and helpful hints, visit:
www.summitappliance.com/support

57 6496 0000/AE
EN-ES