



**Congratulations
On Your New Dock !**

**STATIONARY DOCK
QP-427 Model**

(# 21111)

Assembly guide



Help line : 1-800-585-1237

info@multinautic.com

THE QP-427 CONTAINS :

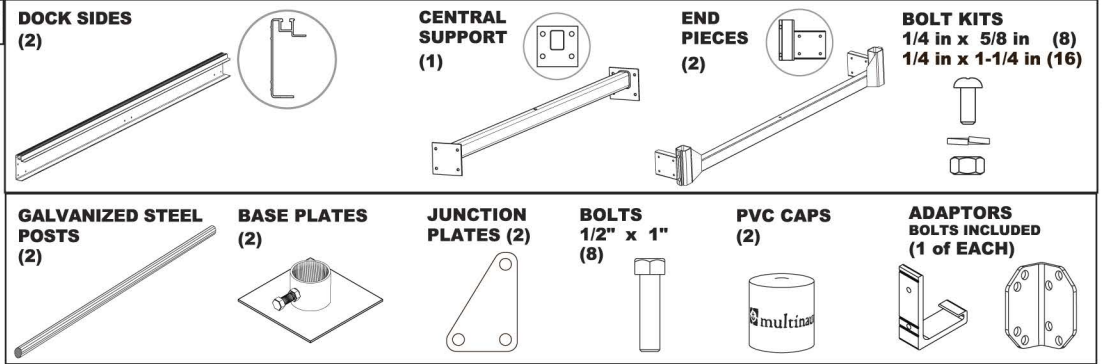
TOOLS NEEDED :

- 3/4 in. & 7/16 in. Wrenches
- Star Screwdriver
- Cordless Drill with 1/2 in. & 9/64 in. drill bits + #2 square bit
- Sledgehammer

REQUIRED MATERIAL :

- **10 cedar planks: 19 mm x 140 mm x 2,43 m (5/4 in. x 6 in. (1 x 5 5/8 in. sawn) x 8 ft)**
- **110 #8 (1 3/4 in) wood screws**

You need to be keep 2 boards full length for decking supports (keep the best ones for the decking top). Slice one of these 2 boards on its length. The other 8 boards are to be cut into 16 planks of 114 cm (44 7/8 in).
Note: Both end planks must be cut to fit around leg holders (+/- 6mm).



INSTALLATION REQUIREMENTS

- A fixed dock is ideally suited for water depths under 1,3 m (4 ft.)
- A fixed dock is not made to withstand pressure or tension caused by moored boats in agitated waters. We recommend separated mooring systems; deadman blocks, chains & mooring buoys.
- In rough condition areas, or if piles are used to their full lengths, you should increase the dock's stability by adding diagonal braces to the piles (item # 22034).
- Always be 2 strong adults to assemble frame. Install decking while on solid ground, then bring dock to water to install on piles.

SAFETY FIRST

Our MULTINAUTIC® team of professionals has designed and engineered the best light weight aluminum dock system. Please read these instructions before assembling your new dock, to ensure that assembly is done safely and correctly.

- All bolts and nuts are tighten securely before using your new dock.
- **DO NOT** modify this dock system, as alterations or welding can weaken the structure and will void the warranty.
- Always wear personal safety protection such as safety glasses, work gloves and boots.
- Keep children and pets clear of work area during assembly.
- The weight capacity of this dock will not support vehicles of any kind.
- **DO NOT** use corded electrical tools in or near water.

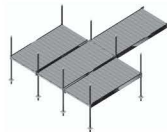
MAINTENANCE & STORAGE

ALUMINUM FRAME : There is no maintenance required on the aluminum frame itself. Due to air and water exposure, a light tarnish may appear. Simply rub the frame with a Scotch Brite pad to remove light scratches, though tarnish or light scratches will not effect the strength or integrity of the dock.

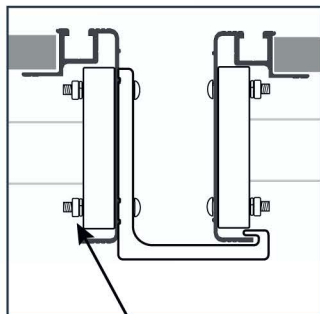
WOOD DECKING : Important– Your aluminum frames should never come in contact with ACQ treated wood. We highly recommend cedar, which is light and maintenance-free, and that you refer to your wood supplier if you want to apply a protective product.

Never leave post docks in the water for wintertime because of ice movements. When storing the docks, leave the decking in the aluminum structure. You may store them flat (upside down to prevent fading under the sun) or straight on their sides.

PARALLEL ADAPTOR



UNSCREW BOLTS OF THE DOCK WITHOUT LEG PILES TO LIMIT DOCK MOVEMENTS.

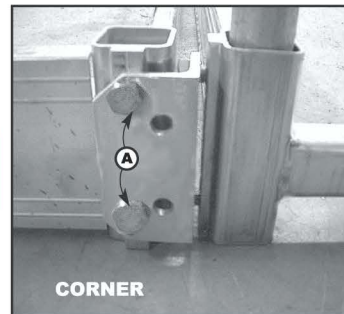
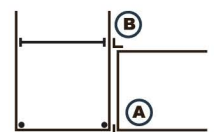
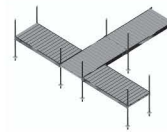


USE THE 2 in. LONG BOLTS SUPPLIED WITH THE ADAPTOR

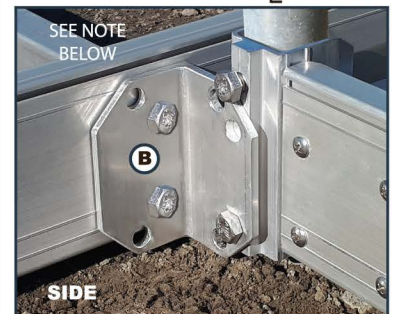


TO REDUCE SPACE BETWEEN DOCKS, YOU MAY SCREW A 2 in. x 4 in. (44 mm x 95 mm) WOOD BOARD ON A SIDE.

LATERAL & CORNER ADAPTOR



CORNER



SIDE

NOTE: YOU WILL NEED TO REDRILL THE 2 DOCK'S HOLES (B) WITH 1/2 in. DRILL BIT IN ORDER TO INSTALL THIS LATERAL ADAPTOR AND USE THE 1/2 in. x 1 in. BOLTS SUPPLIED WITH THE PART.

DOCK FRAME ASSEMBLY

STEP 1 Place the 2 side extrusions on a flat surface (decking support lip on top). Insert central support with 1/4in x 5/8in bolts- be sure there's 25 mm (1 in) from top of support lip to top of square tube. For now, tighten bolts by hand. Final tightening will be done when assembly is complete.

STEP 2 Insert and bolt-in with 1/4in x 1 1/4in bolts the 2 end extrusions by hand (longer part of leg holder on top). Make certain that angles are straight by taking an 'X' measurement from corner to corner. If both measurements differ more than ± 4 mm (1/8 in), gently push on frame until both measurements are the same, then tighten bolts (BEWARE, aluminum is soft – DO NOT over tighten).

STEP 3 Install the 1/2in x 1in bolts in 2 end corners applying grease on the threads beforehand. Slide in leg piles to required height, but tighten only lightly as you will need to readjust once in water. Install junction plates to the dock end opposite to posts.

STEP 4 Install base plates on leg piles, leaving approximately 15 cm (6 in) under the plate (a little more is required for soft lake bottoms, a little less when lake bottom is very hard). Tighten securely.

STEP 5 Before installing decking, check squareness of structure once again so that 114 cm (44 7/8 in) decking planks will easily insert in openings at both ends and in the middle.

DECKING ASSEMBLY

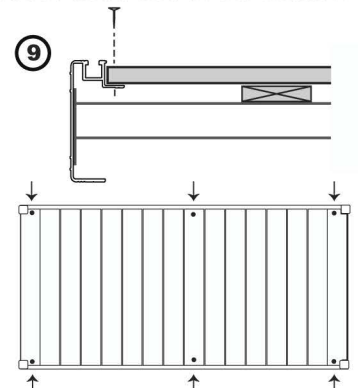
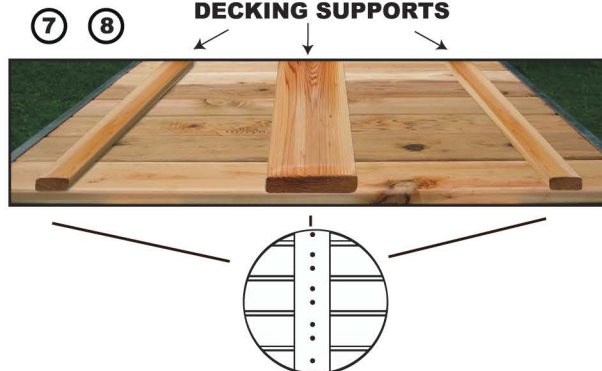
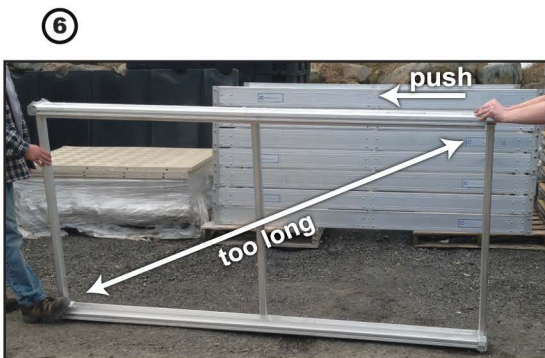
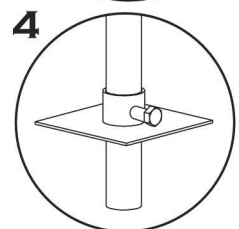
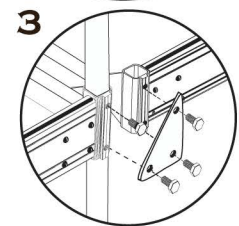
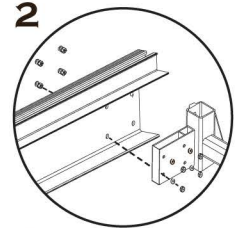
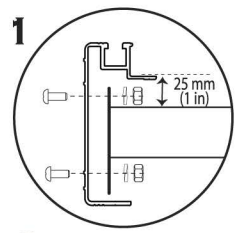
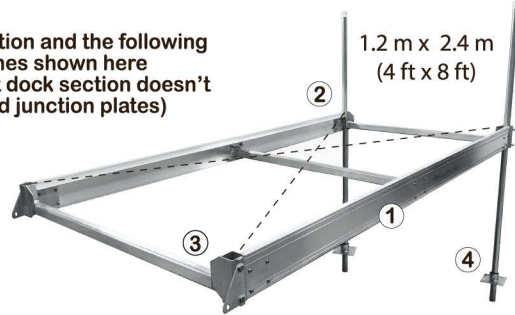
STEP 6 Once the dock frame assembly is put together, install it at about the height of a table with 4 leg piles, checking the squareness of the structure by taking an "X" measurement from corner to corner. The dimension should be the same as ± 4 mm (1/8 in). If the measurements differ, push on the longest part of the frame in order to correct and make sure that they remain as is when assembling the decking. If the structure doesn't keep its square shape, tip it on the side and push in one of the corners.

STEP 7 Install the planks with the smooth (best) side down flush into the dock side support lips. (you will assemble the decking panel upside down in order to facilitate your work and you'll flip it back later). Align all on one side of the dock, and leave an equal space between each board (approximately 9 mm (3/8 in) between each plank). You may use 17 decking boards instead of 16 for smaller gaps between boards.

STEP 8 Once all is positioned flush on one side, place the two smaller decking support planks at about 10 cm (4 in) from the sides and the other one in the middle. If you plan to assemble more than one dock section, you may also slice this one in 2 lengths and use that extra support on another dock section. You should pre-drill the supports with an 9/64 in bit to prevent cracking. Screw in place. Ensure that no spaces are created between wood supports and decking boards when adding the screws.

STEP 9 Once your panel is completed, flip it over. Drill six 9/64" holes and screw the panel at both ends and in the middle.

2nd section and the following ones shown here (the first dock section doesn't need junction plates)



INSTALLATION

Lay the first dock section on your shore, 'postless' end on ground and 'posts' end in water. Pound posts so the base plate properly sits into lake bottom. Using the upper bolts on the leg holders, adjust the dock to desired height. Bottom bolts will be used to set the other dock section. Repeat to complete your dock layout. If desired, cut the top part of your leg piles to the same height (keeping in account water fluctuation), then add PVC caps.

OTHER QUALITY

BOXED DOCK ACCESSORIES :

4-step Aluminum Dock Ladder

- Large 17-1/4" x 4" deep step with plastic end caps
- Nice 1-1/2" Aluminum handrails
- Clean and Strong: will support a load of 250 lb
- Stainless steel assembly hardware included
- Compatible with additional step and flip-up Kit

Includes 3 easy-to-assemble sections:

2 handrails and 1 step section

Step-by-step installation guide on the box.

15513



Additional Step

Add a step or more to your 4-step dock ladder! Compatible with our 15513 aluminum ladder. Stainless steel hardware included.

15528



Flip-up Dock Ladder Kit

Turns a ladder into a flip-up so you can take it out of the water when needed.

15529



Multinautic's Aluminum Dock Cleats

The mooring cleats prevent boat movements. Those ones slide perfectly in the QP-427 side track and can move to fit your needs.

15107: 10" # 15110: 8"

Mounting: T-bolts (#22080 sold separately)
Other fine nylon, stainless steel and galvanised steel mooring cleats available.

15107
15110



Vertical Bumpers 76 cm (30 in.)

Premium PVC bumpers on aluminum frame. Height adjustable fixtures.

Great on fixed dock when water level changes. Add a pair of those bumpers to protect your dock and boat.

2 / pack

black: 22044
white: 22045



Corner Pile Bumper

To be installed on leg pile to protect boats from contact with the metal dock pipe and hardware at dock level.

Rests securely against the dock.

Has an inflation valve to adjust firmness.

18 cm x 43 cm (7 x 17 in)

15014



White PVC Bumpers

Non-marking Premium PVC. UV and Fongus protetin treatment. Prevent damage to boats during docking. Long lasting. Easy Care and Cleaning.

«Small P» shape

3x 2,44 m (8 ft) lengths

«Small D» shape

2x 4,88 m (16 ft) rolls

10522

10520



Wheel

For easy dock-in and out.

Plastic dock wheel – 61 cm (24 in)

22002

Axle kit

2x wheel axles – 26,7 cm (10-1/2 in)

2x hitch pins & large washers

22009



Ask your retailer about our kayak rack and paddle-board support kits !



LIMITED WARRANTY

Multinautic® hereby warrants to the original consumer purchaser only that this product will be free, in normal use, of any defects in materials and workmanship for a period of one (1) year from the consumer's original date of purchase directly from Multinautic® or from a Multinautic® authorized reseller. At its sole option, Multinautic® will repair or replace the defective product and promptly return it to you. In order for this warranty to be valid, the consumer must, at the time the product is returned, provide proof of purchase in the form of the original purchase receipt directly from Multinautic® or from a Multinautic®-authorized reseller. If Multinautic® elects to replace the defective product, then Multinautic® reserves the right to replace the defective product with another product of the same model or a model of at least comparable quality and features in Multinautic®'s sole determination. A reimbursement cannot exceed the amount paid by customer and is limited to the replacement of the defective product.

If you believe this product is defective within the warranty period, call Multinautic® for a Return Authorisation Number (RAN), carefully repack the unit, insure it and return it with proof of purchase, postage prepaid, to Multinautic® at 2330, Jean-Adam, St-Sauveur, QC, Canada, J0R 1R2. Write the RAN on the shipping label. Any product sent without RAN will be refused and returned freight collect to sender.

This warranty is not transferable. This warranty does not apply in cases of abuse or misuse of the product, use contrary to Multinautic®'s instructions, an act of God, negligent use, purchase from a party other than a Multinautic® authorized reseller, unauthorized repair, or modification of the product.

ALL IMPLIED WARRANTIES OF MERCHANTABILITY OR FITNESS FOR A PARTICULAR PURPOSE ARE HEREBY DISCLAIMED TO THE EXTENT PERMITTED UNDER APPLICABLE LAWS AND, TO THE EXTENT NOT PERMITTED, ARE HEREBY LIMITED TO THE DURATION AND TERMS OF THIS WARRANTY. MULTINAUTIC® ALSO HEREBY DISCLAIMS ALL LIABILITY FOR INCIDENTAL, SPECIAL, OR CONSEQUENTIAL DAMAGES.

Some states or provinces do not allow limitations on how long an implied warranty lasts, or the exclusion or limitation of incidental or consequential damages, so the above limitation may not apply to you. This warranty gives you specific legal rights, and you may have other rights which vary from state to state or province to province. This warranty does not restrict the rights of the consumer mandated under applicable laws. THIS WARRANTY SUPERSEDES ALL OTHER WARRANTIES THAT ARE ASSOCIATED WITH THIS PRODUCT.

1-800-585-1237

Multinautic, property of Multi Online Distribution Inc.

2330, Jean-Adam, St-Sauveur, QC,

Canada, J0R 1R2

www.multinautic.com

fax: 450-227-0244

info@multinautic.com



Should you encounter any difficulties with this product, do not return it to the store.

Please contact our customer service at

1-800-585-1237 toll-free