

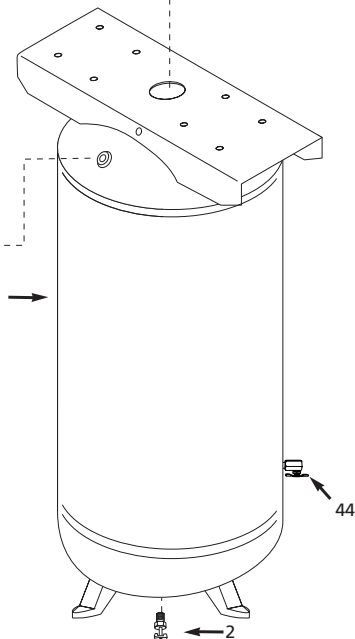
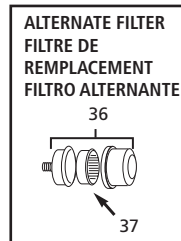
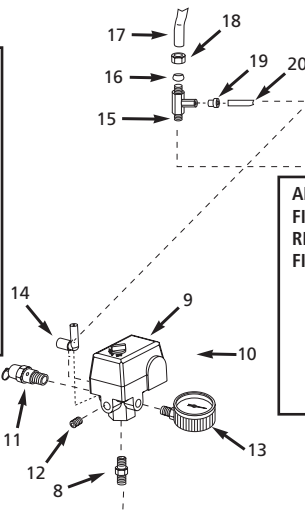
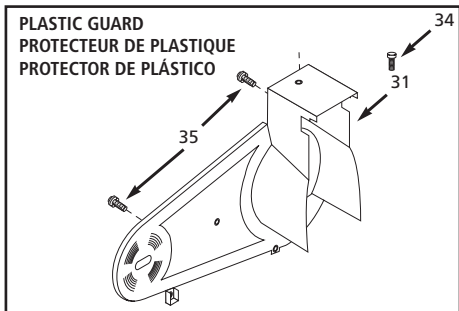
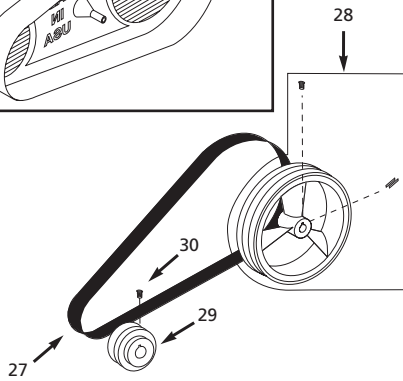
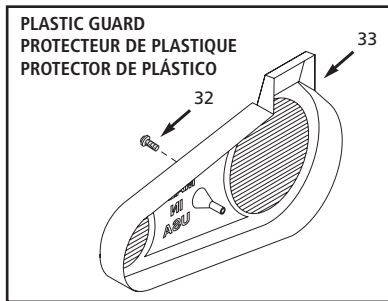
Vertical Air Compressors

Compresseurs d'Air Verticaux

Compressores de Aire Verticales

Replacement Parts List
Liste de Pièces de Rechange
Lista de Repuestos

VT619504, VT627505, VT631403,
VT635500, VT635900



Model No.: _____
Numéro du modèle: _____
Número del modelo: _____

Serial No.: _____
Numéro de Série: _____
Número de Serie: _____

Date of purchase: _____
Date d'achat: _____
Fecha de compra: _____

**For Replacement Parts or Technical Assistance,
Call 1-800-543-6400**

Please provide following information:

- Model number
- Serial number (if any)
- Part description and number as shown in parts list

Address any correspondence to:

Campbell Hausfeld
Attn: Customer Service
100 Production Drive
Harrison, OH 45030 U.S.A.

| Ref. No. | Description | Part Number for Models: | | | | Qty. |
|----------|---|-------------------------|----------------------|------------|------------|------|
| | | VT619504 | VT627505 VT631403 | VT635500 | VT635900 | |
| 1 | Tank | AR040000CG | AR060300CG | AR060300CG | AR061300CG | 1 |
| 2 | Drain cock | D-1403 | D-1403 | D-1403 | D-1403 | 1 |
| 3 | Electric motor | MC018900SJ | MC018900SJ | MC018900SJ | MC018900SJ | 1 |
| 4 | Key | KE000903AV | KE000903AV | KE000903AV | KE000903AV | 1 |
| 5 | Hex head screw | ST016000AV | ST016000AV | ST016000AV | ST016000AV | 4 |
| 6 | Washer | ST011200AV | ST011200AV | ST011200AV | ST011200AV | 4 |
| 7 | Locknut | ST146001AV | ST146001AV | ST146001AV | ST146001AV | 4 |
| 8 | Nipple | HF002401AV | HF002401AV | HF002401AV | HF002401AV | 1 |
| 9 | Pressure switch | CW209300AV | CW209300AV | CW209300AV | CW209300AV | 1 |
| 10 | Motor cord | EC012800AV | EC012800AV | EC012800AV | EC012800AV | 1 |
| 11 | ASME Safety valve | V-215105AV | V-215105AV | V-215105AV | V-215105AV | 1 |
| 12 | Plug | ST022500AV | ST022500AV | ST022500AV | ST022500AV | 1 |
| 13 | Gauge | GA031900AV | GA031900AV | GA031900AV | GA031900AV | 1 |
| 14 | Unloader valve | CW210001AV | CW210001AV | CW210001AV | CW210001AV | 1 |
| 15 | Check valve | CV221502AJ | CV221502AJ | CV221502AJ | CV221502AJ | 1 |
| 16 | Ferrule | ST085200AV | ST085200AV | ST085200AV | ST085200AV | 1 |
| 17 | Exhaust tube | VT043300AP | VT046900AP | VT046900AP | VT046900AP | 1 |
| 18 | Compression nut | ST033001AV | ST033001AV | ST033001AV | ST033001AV | 1 |
| 19 | Push-in fitting | ST081301AV | ST081301AV | ST081301AV | ST081301AV | 1 |
| 20 | Unloader tube | ST117802AV | ST117802AV | ST117802AV | ST117802AV | 1 |
| 21 | Pump | VT470000KB | VT470000AV | VT470000KB | VT470000AV | 1 |
| 22 | Oil drain plug | ST022300AV | ST022300AV | ST022300AV | ST022300AV | 1 |
| 23 | Oil drain cap | ST150100AV | ST150100AV | ST150100AV | ST150100AV | 1 |
| 24 | Oil drain extension | ST083800AV | ST083800AV | ST083800AV | ST083800AV | 1 |
| 25 | Compression assembly | ST018300AV | ST018300AV | ST018300AV | ST018300AV | 1 |
| 26 | Self-tapping screw | ST016500AV | ST016500AV | ST016500AV | ST016500AV | 4 |
| 27 | Belt | BT020400AV | BT013000AV | BT013000AV | BT013000AV | 1 |
| 28 | Flywheel with key and set screw | PU015900AJ | PU015900AJ | PU015900AJ | PU015900AJ | 1 |
| 29 | Pulley | PU012600AV | PU012600AV | PU012600AV | PU012600AV | 1 |
| 30 | Square hd set screw | ST012200AV | ST012200AV | ST012200AV | ST012200AV | 1 |
| 31 | Plastic belt guard (back) | BG217902AV | BG222300AV | BG222300AV | BG222300AV | 1 |
| 32 | Plascrew | ST058502AV | ST058502AV | ST058502AV | ST058502AV | 1 |
| 33 | Plastic belt guard (front) | BG217800AV | BG222200AV | BG222200AV | BG222200AV | 1 |
| 34 | Self-tapping screw | ST073269AV | ST073269AV | ST073269AV | ST073269AV | 1 |
| 35 | Self-tapping screw | ST073277AV | ST073277AV | ST073277AV | ST073277AV | 3 |
| 36 | Filter | WL026100AV | VH901700AV | WL026100AV | VH901700AV | 1 |
| 37 | Filter element | — | VH901800AV | — | VH901800AV | 1 |
| 38 | ▲ General warning decal set | DK747600AV | DK747600AV | DK747600AV | DK747600AV | 1 |
| 39 | ▲ Moving and mounting warning decal | DK364601AV | DK364601AV | DK364601AV | DK364601AV | 1 |
| 40 | ▲ Inspection port reducer 2 inch x 3/4 inch | PG201002AV | PG201002AV | PG201002AV | PG201002AV | 1 |
| | ▲ Inspection port reducer 2 inch x 1/4 inch | PG201004AV | PG201004AV | PG201004AV | PG201004AV | 1 |
| 41 | ▲ Strain relief screw | ST209800AV | ST209800AV | ST209800AV | ST209800AV | 1 |
| 42 | ▲ Strain relief | CW209700AV | CW209700AV | CW209700AV | CW209700AV | 1 |
| 43 | ▲ Inspection port o-ring | ST070190AV | ST070190AV | ST070190AV | ST070190AV | 2 |
| 44 | Easy Drain | — | — | — | D-140501AV | 1 |
| ▲ | Not shown | | | | | |

Pour pièces de rechange ou assistance technique, appeler 1-800-543-6400

S'il vous plaît fournir l'information suivante:

- Numéro de Modèle
- Numéro de série (si présent)
- Description et numéro de la pièce

Adresser toute correspondance à :

Campbell Hausfeld
Attn: Customer Service
100 Production Drive
Harrison, OH 45030 U.S.A.

| N° de réf. | Description | Numéro de pièce pour modèles : | | | | Qté. |
|------------|---|--------------------------------|----------------------|------------|------------|------|
| | | VT619504 | VT627505 VT631403 | VT635500 | VT635900 | |
| 1 | Réservoir | AR040000CG | AR060300CG | AR060300CG | AR061300CG | 1 |
| 2 | Robinet de vidange | D-1403 | D-1403 | D-1403 | D-1403 | 1 |
| 3 | Moteur électrique | MC018900SJ | MC018900SJ | MC018900SJ | MC018900SJ | 1 |
| 4 | Clavette | KE000903AV | KE000903AV | KE000903AV | KE000903AV | 1 |
| 5 | Vis à tête hexagonale | ST016000AV | ST016000AV | ST016000AV | ST016000AV | 4 |
| 6 | Rondelle | ST011200AV | ST011200AV | ST011200AV | ST011200AV | 4 |
| 7 | Écrou de serrage | ST146001AV | ST146001AV | ST146001AV | ST146001AV | 4 |
| 8 | Raccord | HF002401AV | HF002401AV | HF002401AV | HF002401AV | 1 |
| 9 | Manostat | CW209300AV | CW209300AV | CW209300AV | CW209300AV | 1 |
| 10 | Cordon du moteur | EC012800AV | EC012800AV | EC012800AV | EC012800AV | 1 |
| 11 | Soupape de sûreté ASME | V-215105AV | V-215105AV | V-215105AV | V-215105AV | 1 |
| 12 | Bouchon | ST022500AV | ST022500AV | ST022500AV | ST022500AV | 1 |
| 13 | Jauge | GA031900AV | GA031900AV | GA031900AV | GA031900AV | 1 |
| 14 | Soupape de déchargement | CW210001AV | CW210001AV | CW210001AV | CW210001AV | 1 |
| 15 | Clapet | CV221502AJ | CV221502AJ | CV221502AJ | CV221502AJ | 1 |
| 16 | Virole | ST085200AV | ST085200AV | ST085200AV | ST085200AV | 1 |
| 17 | Tuyau d'échappement | VT043300AP | VT046900AP | VT046900AP | VT046900AP | 1 |
| 18 | Écrou de compression | ST033001AV | ST033001AV | ST033001AV | ST033001AV | 1 |
| 19 | Raccord enfichable | ST081301AV | ST081301AV | ST081301AV | ST081301AV | 1 |
| 20 | Tuyau de déchargement | ST117802AV | ST117802AV | ST117802AV | ST117802AV | 1 |
| 21 | Pompe | VT470000KB | VT470000AV | VT470000KB | VT470000AV | 1 |
| 22 | Bouchon de vidage d'huile | ST022300AV | ST022300AV | ST022300AV | ST022300AV | 1 |
| 23 | Capuchon de vidage d'huile | ST150100AV | ST150100AV | ST150100AV | ST150100AV | 1 |
| 24 | Rallonge de vidage d'huile | ST083800AV | ST083800AV | ST083800AV | ST083800AV | 1 |
| 25 | Assemblage de compression | ST018300AV | ST018300AV | ST018300AV | ST018300AV | 1 |
| 26 | Vis autoforeuse | ST016500AV | ST016500AV | ST016500AV | ST016500AV | 4 |
| 27 | Courroie | BT020400AV | BT013000AV | BT013000AV | BT013000AV | 1 |
| 28 | Volant avec clavette et vis de pression | PU015900AJ | PU015900AJ | PU015900AJ | PU015900AJ | 1 |
| 29 | Poulie | PU012600AV | PU012600AV | PU012600AV | PU012600AV | 1 |
| 30 | Vis de pression a tête carré | ST012200AV | ST012200AV | ST012200AV | ST012200AV | 1 |
| 31 | Protège-courroie de plastique (arrière) | BG217902AV | BG222300AV | BG222300AV | BG222300AV | 1 |
| 32 | Vis | ST058502AV | ST058502AV | ST058502AV | ST058502AV | 1 |
| 33 | Protège-courroie de plastique (avant) | BG217800AV | BG222200AV | BG222200AV | BG222200AV | 1 |
| 34 | Vis autoforeuse | ST073269AV | ST073269AV | ST073269AV | ST073269AV | 1 |
| 35 | Vis autoforeuse | ST073277AV | ST073277AV | ST073277AV | ST073277AV | 3 |
| 36 | Filtre | WL026100AV | VH901700AV | WL026100AV | VH901700AV | 1 |
| 37 | Élément du filtre | — | VH901800AV | — | VH901800AV | 1 |
| 38 | ▲ Ensemble de décalcomanies d'avertissement générales | DK747600AV | DK747600AV | DK747600AV | DK747600AV | 1 |
| 39 | ▲ Decalcomanie d'avertissement de déplacement et de montage | DK364601AV | DK364601AV | DK364601AV | DK364601AV | 1 |
| 40 | ▲ Raccord de reduction de porte inspection 2 po x 3/4 po | PG201002AV | PG201002AV | PG201002AV | PG201002AV | 1 |
| | ▲ Raccord de reduction de porte inspection 2 po x 1/4 po | PG201004AV | PG201004AV | PG201004AV | PG201004AV | 1 |
| 41 | ▲ Vis de soulagement de fatigue | ST209800AV | ST209800AV | ST209800AV | ST209800AV | 1 |
| 42 | ▲ Soulagement de fatigue | CW209700AV | CW209700AV | CW209700AV | CW209700AV | 1 |
| 43 | ▲ Joint torique de porte de inspection | ST070190AV | ST070190AV | ST070190AV | ST070190AV | 2 |
| 44 | Drain | — | — | — | D-140501AV | 1 |
| ▲ | Pas indiquée | | | | | |

Para Ordenar Repuestos o Asistencia Técnica, Sírvase Llamar al Distribuidor Más Cercano a Su Domicilio

Sírvase darnos la siguiente información:

- Número del modelo
- Código impreso
- Descripción y número del repuesto según la lista de repuestos

Dirija toda la correspondencia a:

Campbell Hausfeld
Attn: Customer Service
100 Production Drive
Harrison, OH 45030 U.S.A.

| No. de Ref. | Descripción | Número de Parte para Modelos: | | | | Ctd. |
|-------------|--|-------------------------------|----------------------|------------|------------|------|
| | | VT619504 | VT627505 VT631403 | VT635500 | VT635900 | |
| 1 | Tanque | AR040000CG | AR060300CG | AR060300CG | AR061300CG | 1 |
| 2 | Llave de salida | D-1403 | D-1403 | D-1403 | D-1403 | 1 |
| 3 | Motor eléctrico | MC018900SJ | MC018900SJ | MC018900SJ | MC018900SJ | 1 |
| 4 | Chaveta | KE000903AV | KE000903AV | KE000903AV | KE000903AV | 1 |
| 5 | Tornillo de cabeza hex | ST016000AV | ST016000AV | ST016000AV | ST016000AV | 4 |
| 6 | Arandela | ST011200AV | ST011200AV | ST011200AV | ST011200AV | 4 |
| 7 | Tuerca de seguridad | ST146001AV | ST146001AV | ST146001AV | ST146001AV | 4 |
| 8 | Niple | HF002401AV | HF002401AV | HF002401AV | HF002401AV | 1 |
| 9 | Presostato | CW209300AV | CW209300AV | CW209300AV | CW209300AV | 1 |
| 10 | Cordón del motor | EC012800AV | EC012800AV | EC012800AV | EC012800AV | 1 |
| 11 | Válvula de seguridad ASME | V-215105AV | V-215105AV | V-215105AV | V-215105AV | 1 |
| 12 | Enchufe | ST022500AV | ST022500AV | ST022500AV | ST022500AV | 1 |
| 13 | Manómetro | GA031900AV | GA031900AV | GA031900AV | GA031900AV | 1 |
| 14 | Válvula de desfogue | CW210001AV | CW210001AV | CW210001AV | CW210001AV | 1 |
| 15 | Válvula de chequeo | CV221502AJ | CV221502AJ | CV221502AJ | CV221502AJ | 1 |
| 16 | Tapa de contacto | ST085200AV | ST085200AV | ST085200AV | ST085200AV | 1 |
| 17 | Tubo de escape | VT043300AP | VT046900AP | VT046900AP | VT046900AP | 1 |
| 18 | Tuerca de compresión | ST033001AV | ST033001AV | ST033001AV | ST033001AV | 1 |
| 19 | Ajuste de empuje | ST081301AV | ST081301AV | ST081301AV | ST081301AV | 1 |
| 20 | Tubo de salida | ST117802AV | ST117802AV | ST117802AV | ST117802AV | 1 |
| 21 | Cabezal | VT470000KB | VT470000AV | VT470000KB | VT470000AV | 1 |
| 22 | Tapón del drenaje de aceite | ST022300AV | ST022300AV | ST022300AV | ST022300AV | 1 |
| 23 | Tapa del drenaje de aceite | ST150100AV | ST150100AV | ST150100AV | ST150100AV | 1 |
| 24 | Extensión del drenaje de aceite | ST083800AV | ST083800AV | ST083800AV | ST083800AV | 1 |
| 25 | Ensamblaje de compresión | ST018300AV | ST018300AV | ST018300AV | ST018300AV | 1 |
| 26 | Tornillo autorroscante | ST016500AV | ST016500AV | ST016500AV | ST016500AV | 4 |
| 27 | Banda | BT020400AV | BT013000AV | BT013000AV | BT013000AV | 1 |
| 28 | Volante con chaveta y tornillo | PU015900AJ | PU015900AJ | PU015900AJ | PU015900AJ | 1 |
| 29 | Polea | PU012600AV | PU012600AV | PU012600AV | PU012600AV | 1 |
| 30 | Tornillo de cabeza cuadrada | ST012200AV | ST012200AV | ST012200AV | ST012200AV | 1 |
| 31 | Guardacorrea plástico (atrás) | BG217902AV | BG222300AV | BG222300AV | BG222300AV | 1 |
| 32 | Tornillo | ST058502AV | ST058502AV | ST058502AV | ST058502AV | 1 |
| 33 | Guardacorrea plástico (frente) | BG217800AV | BG222200AV | BG222200AV | BG222200AV | 1 |
| 34 | Tornillo autorroscante | ST073269AV | ST073269AV | ST073269AV | ST073269AV | 1 |
| 35 | Tornillo autorroscante | ST073277AV | ST073277AV | ST073277AV | ST073277AV | 3 |
| 36 | Filtro alternante | WL026100AV | VH901700AV | WL026100AV | VH901700AV | 1 |
| 37 | Elemento del filtro alternante | — | VH901800AV | — | VH901800AV | 1 |
| 38 | ▲ Juego de etiquetas de advertencias generales | DK747600AV | DK747600AV | DK747600AV | DK747600AV | 1 |
| 39 | ▲ Etiqueta de advertencias para mover e instalar la unidad | DK364601AV | DK364601AV | DK364601AV | DK364601AV | 1 |
| 40 | ▲ Reductor de orificio de inspección 5,08 cm x 19,1 mm (2 inch x 3/4 inch) | PG201002AV | PG201002AV | PG201002AV | PG201002AV | 1 |
| | ▲ Reductor de orificio de inspección 5,08 cm x 6,4 mm (2 inch x 1/4 inch) | PG201004AV | PG201004AV | PG201004AV | PG201004AV | 1 |
| 41 | ▲ Tornillo del relieve de tensión | ST209800AV | ST209800AV | ST209800AV | ST209800AV | 1 |
| 42 | ▲ Relieve de tensión | CW209700AV | CW209700AV | CW209700AV | CW209700AV | 1 |
| 43 | ▲ Anillo en o para el orificio de inspección | ST070190AV | ST070190AV | ST070190AV | ST070190AV | 2 |
| 44 | Drenaje | — | — | — | D-140501AV | 1 |
| ▲ | No su muestra | | | | | |