



## INSTALLATION MANUAL

### Granite Kitchen Sinks

**KGD-433B / KGD-430B / KGD-412B / KGD-410B**

**KGU-434B / KGU-431B / KGU-413B**

## TOOLS REQUIRED:

- Tape Measure
- Utility Knife (x-acto type)
- Masking Tape
- Caulk
- Rubber Mallet
- Phillips Head Screwdriver

If countertop cutting is required:

- Safety Glasses
- Drill
- 1 ¼" Hole Saw (for faucet holes)
- Saber Saw (for main sink hole)

---

## IMPORTANT INSTALLATION NOTE:

### READ ALL INSTRUCTIONS CAREFULLY FIRST

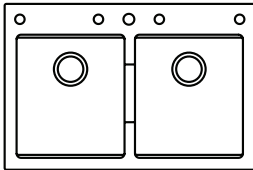
Kraus recommends hiring a licensed plumbing professional to complete all fixture installations. If you purchased a Dual Mount Granite Sink, there are two "Master Templates" packaged with the sink. Before proceeding, you MUST determine whether the sink will be installed as a TOP MOUNT / DROP IN (installed from the top of the counter) or UNDERMOUNT (installed below the counter)

Find the line on either the Master Top Mount template or the Master Under Mount template that corresponds to the model number of your new sink. Using a utility knife, cut carefully along the correct line to create your cutting template.

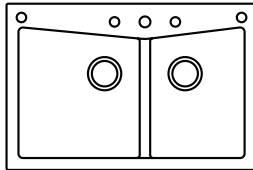
---

## Dual Mount Models

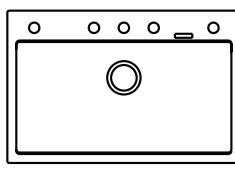
*can be installed either as a TOP MOUNT or as an UNDERMOUNT*



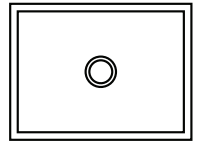
KGD-433B



KGD-430B



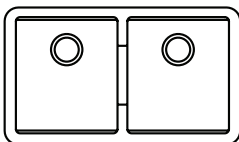
KGD-412B



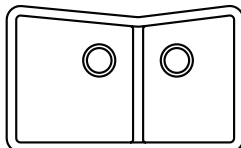
KGD-410B

## Undermount Models

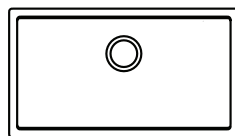
*can be installed as an UNDERMOUNT*



KGU-434B



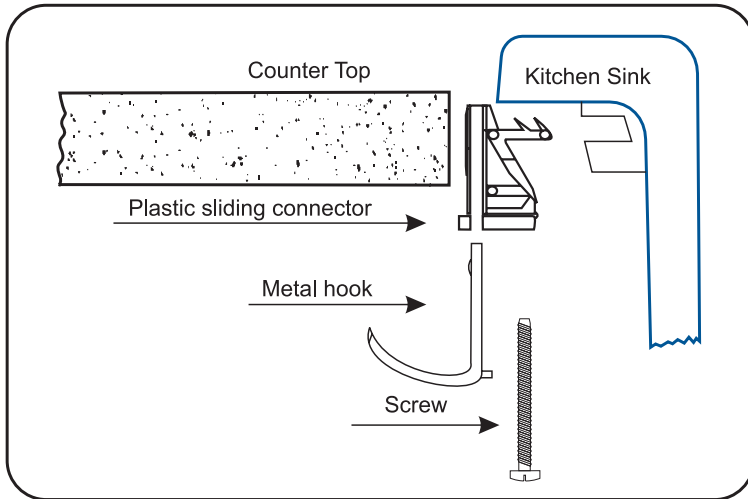
KGU-431B



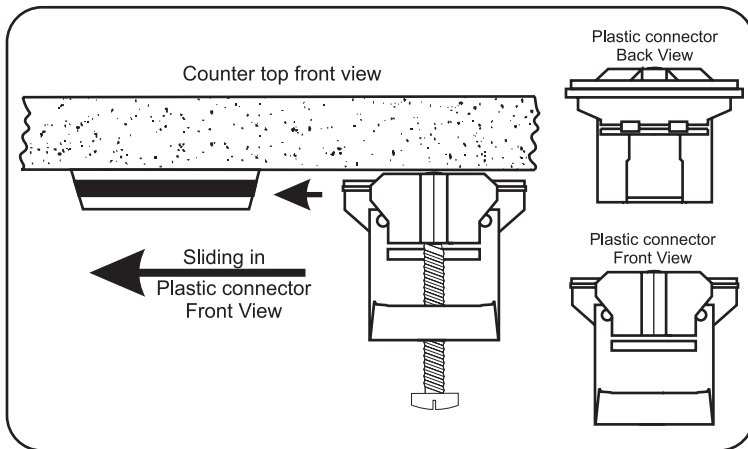
KGU-413B

# STEPS FOR TOPMOUNT INSTALLATION

## Step 1

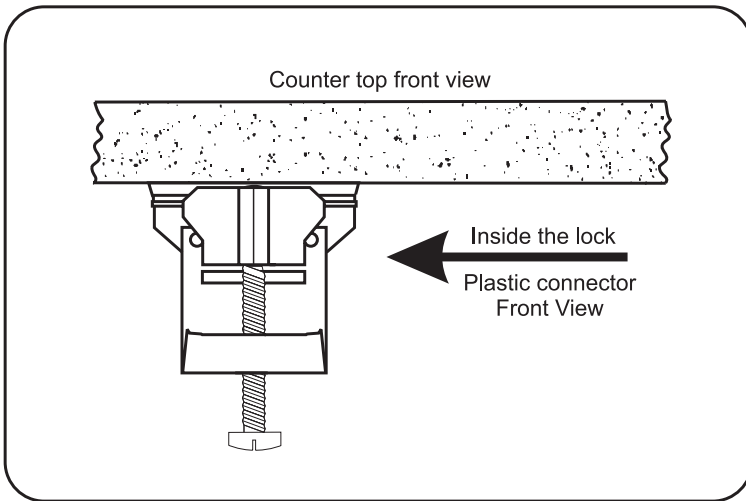


## Step 2



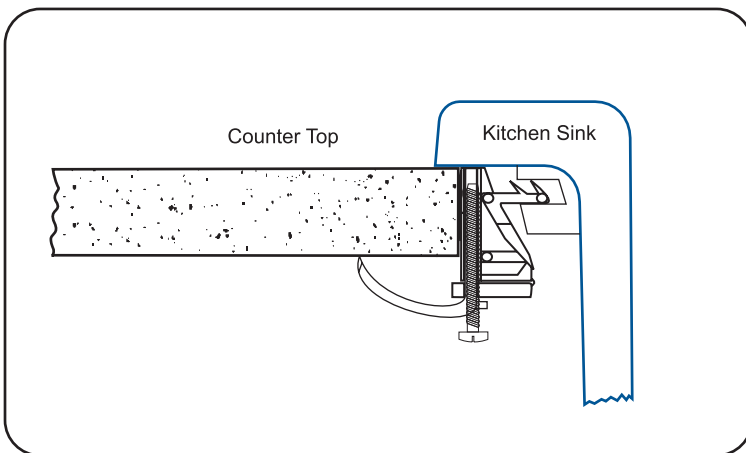
### Step 3

---



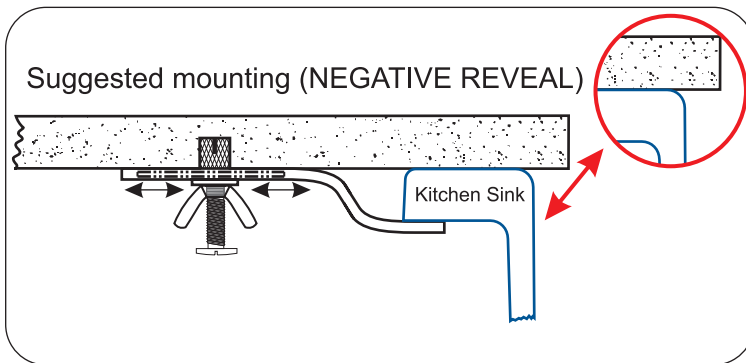
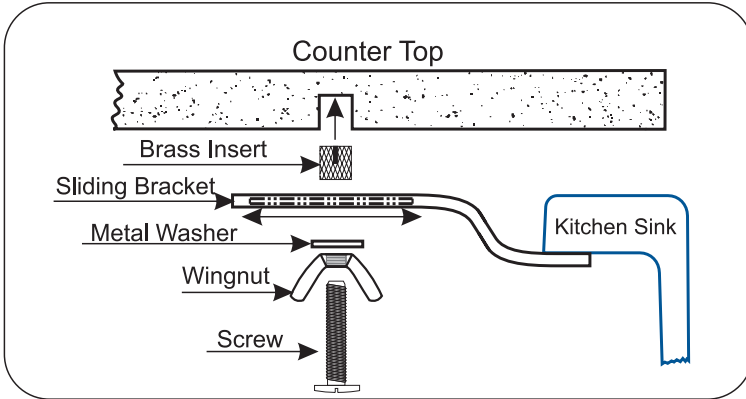
### Step 4

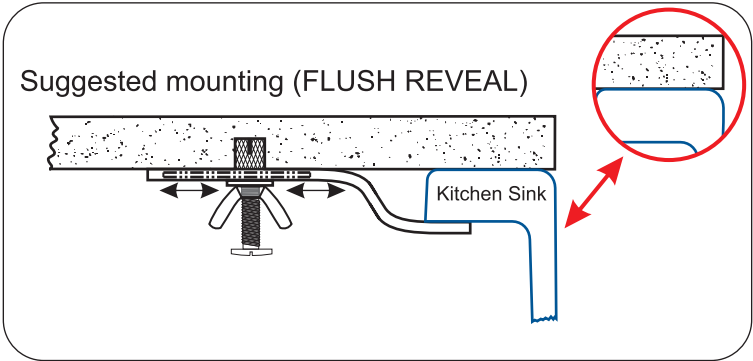
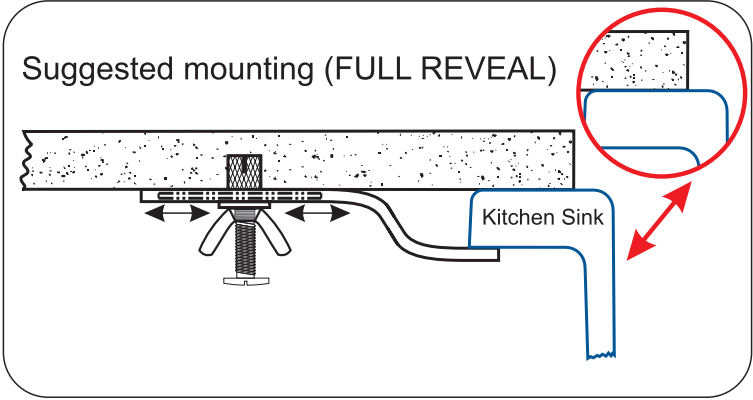
---



# STEPS FOR UNDERMOUNT INSTALLATION

---

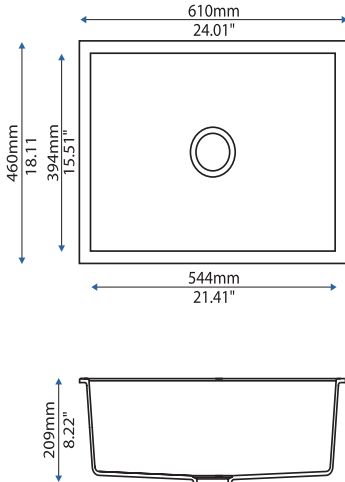




# ALL KRAUS GRANITE SINKS

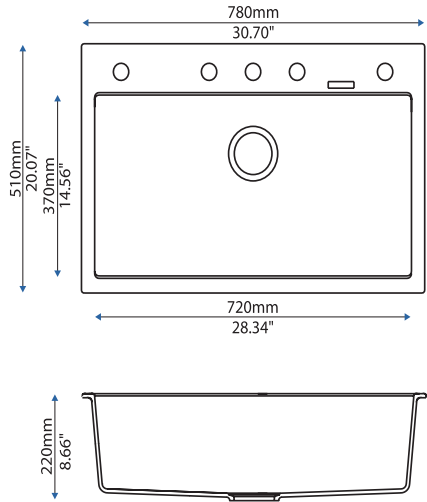
## KGD-410B (BIG B)

mm: 460 x 610 x 209  
in: 18.11 x 24.01 x 8.22



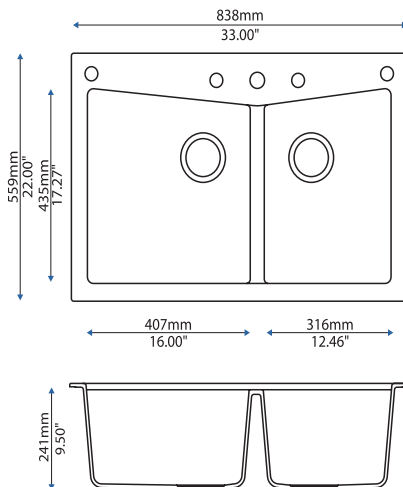
## KGD-412B (JUMBO)

mm: 510 x 780 x 220  
in: 20.07 x 30.70 x 8.66



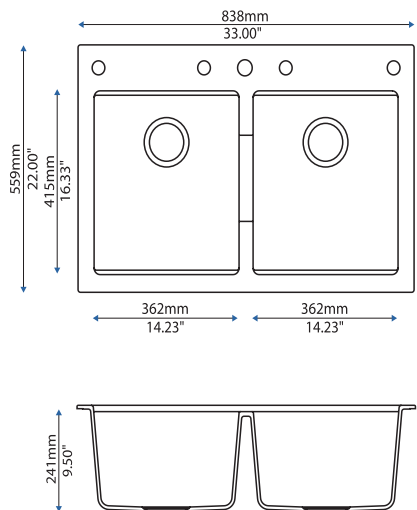
## KGD-430B (CGDB)

mm: 559 x 838 x 241  
in: 22 x 33 x 9.50



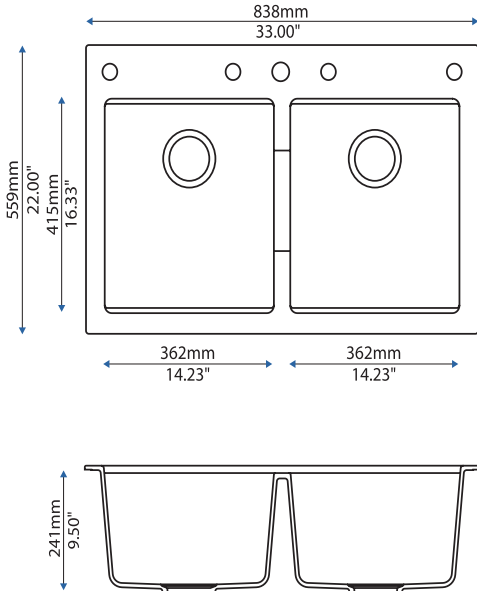
## KGD-433B (CG2B)

mm: 559 x 838 x 241 (362 x 362)  
in: 22 x 33 x 9.50 (14.23 x 14.23)



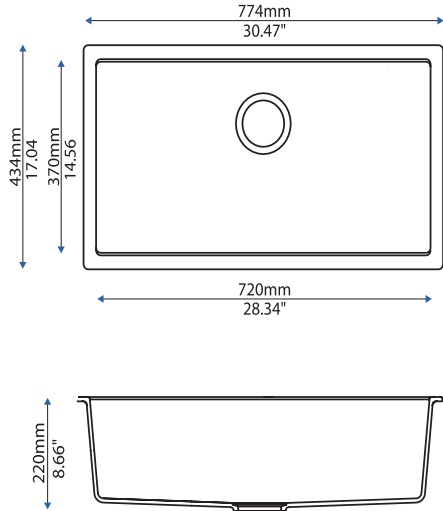
**KGD-433B (CG2B)**

mm: 559 x 838 x 241 (362 x 362)  
in: 22 x 33 x 9.50 (14.23 x 14.23)



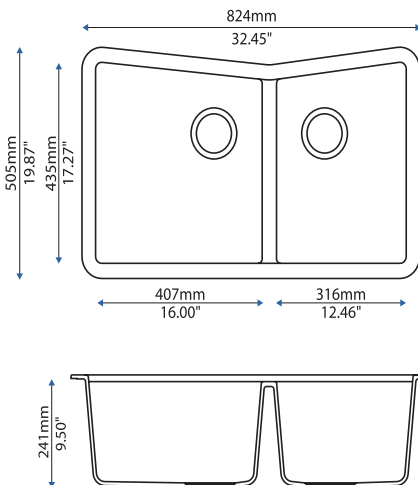
**KGU-413B (JUMBO (U))**

mm: 434 x 774 x 220  
in: 17.04 x 30.47 x 8.66



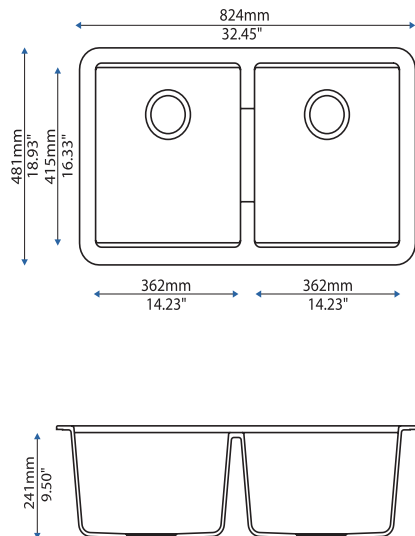
**KGU-431B(DGDBU)**

mm: 505 x 824 x 241  
in: 19.87 x 33.45 x 9.50



**KGU-414B (CG2BU)**

mm: 481 x 824 x 241  
in: 18.93 x 32.45 x 9.5





## **CHECK FOR LEAKS:**

- Check supply tubes to faucet
- Check supply riser, shut off valves, and lower connections
- Fill sink with water and check for a leak around drain, carefully tightening as needed.

## **GRANITE SINK CARE & CLEANING INSTRUCTIONS**

### **Everyday Cleaning:**

- Wash your sink using warm water, a non-abrasive liquid cleaner or detergent, and a soft cloth, or non-abrasive woven nylon pad. Your sink may be cleaned as often as it is used.

### **Metallic Abrasions or Heavy Stains:**

- Use a non-abrasive liquid scouring product and a soft cloth or non-abrasive woven nylon pad. Apply the liquid scouring product sparingly and rub lightly. Repeat as necessary until the sink is clean.

### **Hard Water, Calcium and Lime Deposits:**

- Wipe with white vinegar and a non-abrasive woven nylon pad. Rinse after 20 minutes.

### **Do Not Use:**

- Abrasive cleaners
- Abrasive scrub pads
- Alkaline cleaners (like products with ammonia)

---

## **HELP LINE**

For additional assistance at any point in the installation process, please call us at 1.800.775.0703 or email us at [info@kraususa.com](mailto:info@kraususa.com)

Our customer service hours are Monday – Friday, 9am – 6pm EST.  
Be sure to visit our website at [www.kraususa.com](http://www.kraususa.com).

