



TM

INSTRUCTION MANUAL



SET-UP INSTRUCTIONS FOR THE 9.5 FT ANIMATED LED PIRATE SHIP



1-877-527-0313, 8 a.m. to 5 p.m., EST,
Monday-Friday



info@pan-asian.com.hk

READ CAREFULLY & RETAIN FOR FUTURE REFERENCE!



Questions, problems, missing parts? Before returning to your retailer, call our customer service department at 1-877-527-0313, 8 a.m. to 5 p.m., EST, Monday-Friday or email at info@pan-asian.com.hk.



WARNING: This is not a toy and is for decorative purposes only. This item is not intended for use by children under the age of 14. Do not place product near an open fire or heat source such as a radiator, stove, etc.

PREPARATION: Before beginning assembly the product, make sure that all parts are present. Compare parts with package contents list and diagram above. If any part is missing or damaged, do not attempt to assemble, install or operate the product. Contact customer service for replacement parts.

BATTERY USAGE:

ADULT SUPERVISION IS RECOMMENDED WHEN CHANGING BATTERIES.

1. Do not mix old and new batteries.
2. Do not mix alkaline, standard (carbon-zinc) or rechargeable (nickel-cadmium) batteries.
3. Alkaline batteries are suggested for longer life.
4. Exhausted batteries are to be removed from the product.
5. Dispose of exhausted batteries with care.
6. Do not dispose of batteries in fire, as they explode or leak.

CAUTION: Please remove batteries if the power is consumed or if the product is to be left unused for a long period of time.

RECYCLE YOUR BATTERIES: To help protect our environment, we recommend that all batteries be recycled. You can find a local recycling center by going to: <http://earth911.com/hazardous/single-use-batteries/> Or, in the United States call 1-800-CLEANUP for a recycling location near you.

IMPORTANT: This product can be powered by a UL Listed, AC 12Volt, 830mA adapter (included). Adapter should be plugged into 120V household outlet.

SAFETY INSTRUCTIONS:

1. All cautions in these operating instructions should be followed completely.
2. Do not use near water; such as bathtub, laundry tub, kitchen sink, wet basement or swimming pool, etc.
3. Do not display figure near any heat source such as radiators, stoves, fireplaces, etc.
4. Display should be serviced by a qualified service person only. Do not attempt to service this unit beyond what is described in the operating instructions.
5. Take extra care when displaying any figure that may contain small parts around small children.
6. Use of this decoration should always be supervised by an adult.

WARNING: Changes or modifications to this unit not expressly approved by the party responsible for compliance could void the user's authority to operate the equipment.

NOTE: This equipment has been tested and found to comply with the limits for a Class B digital device, pursuant to Part 15 of the FCC Rules. These limits are designed to provide reasonable protection against harmful interference in a residential installation. This equipment generates, uses and can radiate radio frequency energy and, if not installed and used in accordance with the instructions, may cause harmful interference to radio communications. However, there is no guarantee that interference will not occur in a particular installation. If this equipment does cause harmful interference to radio or television reception, which can be determined by turning the equipment off and on, the user is encouraged to try to correct the interference by one or more of the following measures:

- Reorient or relocate the receiving antenna.
- Increase the separation between the equipment and receiver.
- Connect the equipment into an outlet on a circuit different from that to which the receiver is connected.
- Consult the dealer or experienced radio/TV technician for help.

Before you begin

3D INTERACTIVE
INSTRUCTIONS
FOR THIS PRODUCT ARE IN

BILT.[®]
Intelligent Instructions

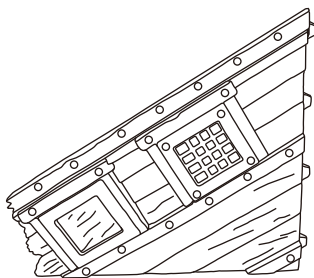


DOWNLOAD
THE FREE APP



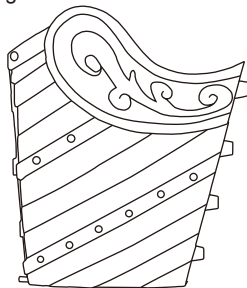
PART LIST:

A Right Back



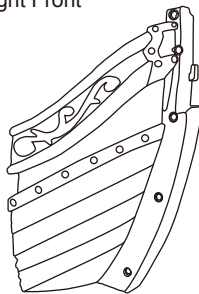
X 1

B Right Middle



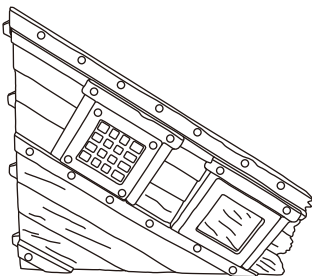
X 1

C Right Front



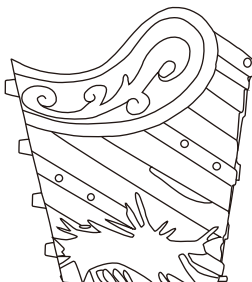
X 1

D Left Back



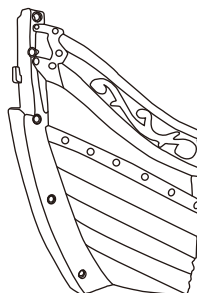
X 1

E Left Middle



X 1

F Left Front



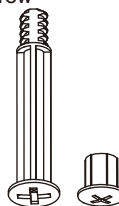
X 1

G Figurehead



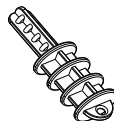
X 1

H Screw



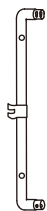
X 5

I Screwdriver



X 2

J-1
Metal
Support



X 1

J-2
Metal
Support



X 1

J-3
Metal
Support



X 1

J-4
Bottom
Mast Holder



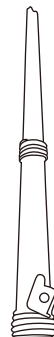
X 1

J-5
Upper Mast
Holder



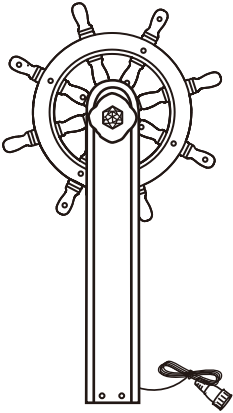
X 1

K
Bowsprit



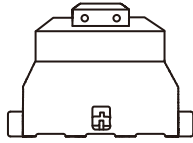
X 1

L-1 Ship's Wheel



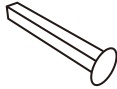
X 1

L-2 Ship's Wheel Base



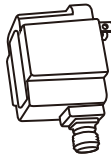
X 1

L-3 Locking Plug



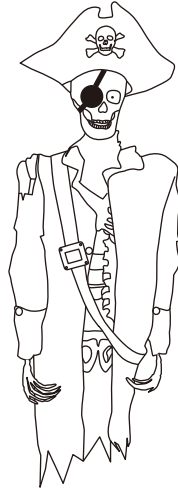
X 2

M AC Adapter



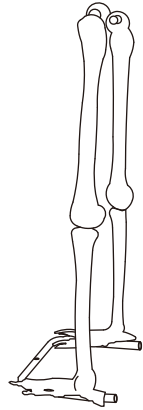
X 1

N-1 Pirate's Body



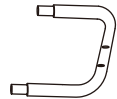
X 1

N-2 Pirate's Feet



X 1

N-3 Metal Support for Pirate Feet



X 1

O-1 Mast Bottom Support



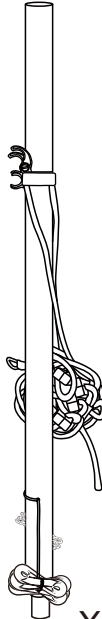
X 1

O-2 Mast Middle Support



X 1

O-3 Mast Top Support with Rope



X 1

P Skull Flag



X 1

Q Ground Stake for Flag Bottom Support



X 1

R Ground Stakes for Rope



X 2

S Ground Stakes



X 8

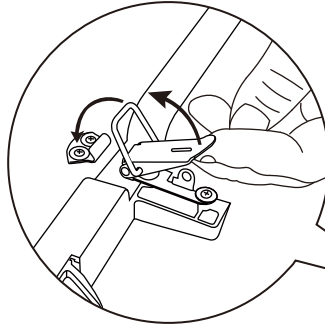
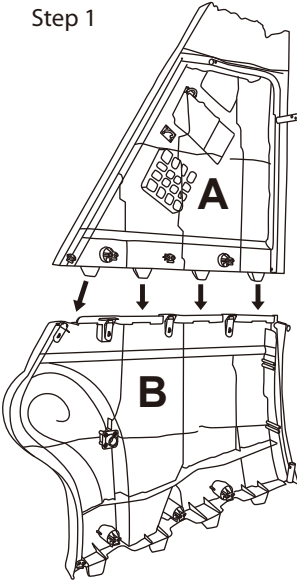
T Takedown Tool For Disassembly



X 1

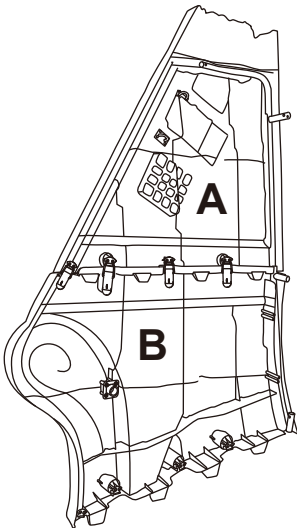
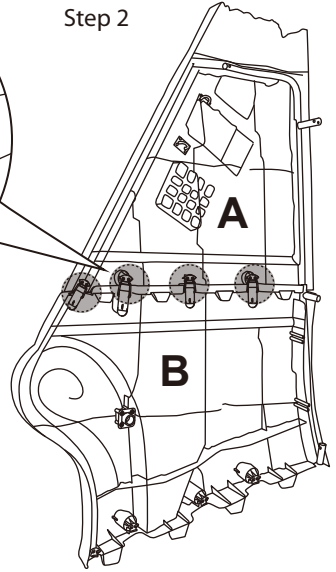
ASSEMBLE SIDE PANELS

Step 1

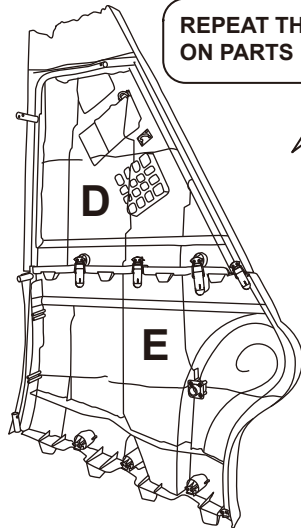


Close the four "Locking Clips" when the parts A and B are assembled

Step 2

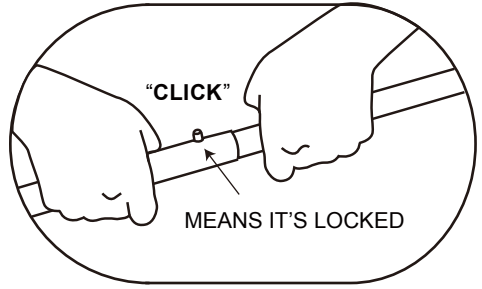
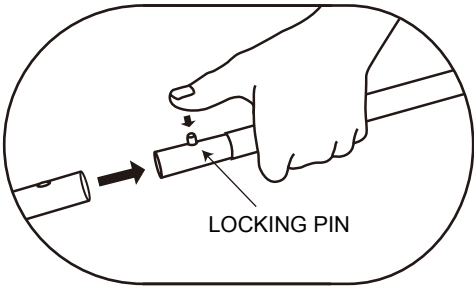


Step 3

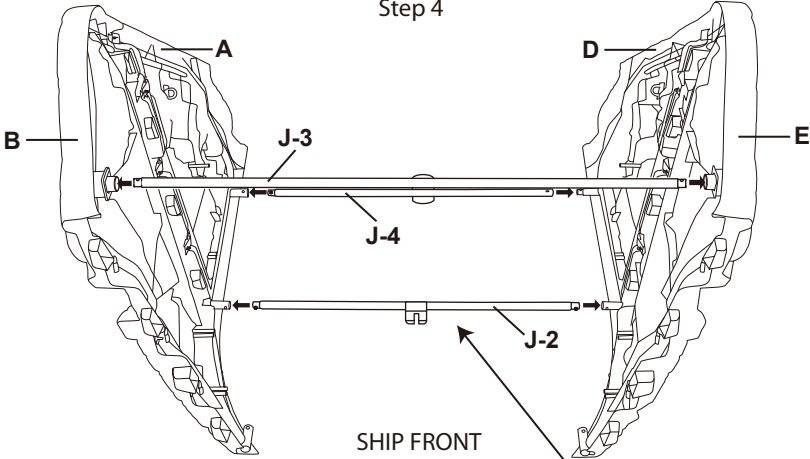


REPEAT THE PROCESS ON PARTS D AND E

ASSEMBLE SUPPORT FRAME

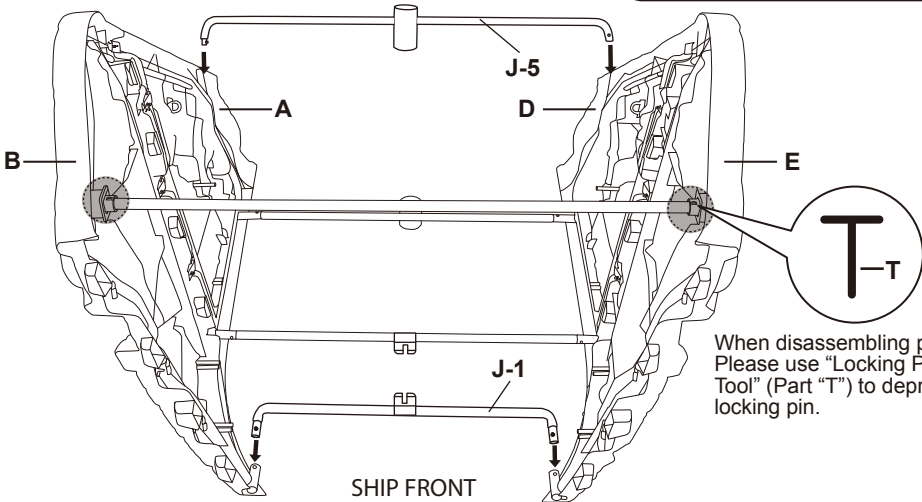
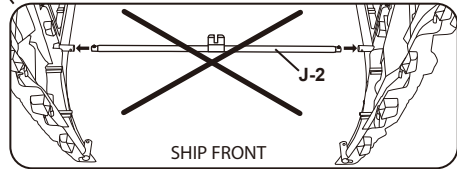


Step 4



Connect metal supports to the assembled side panels

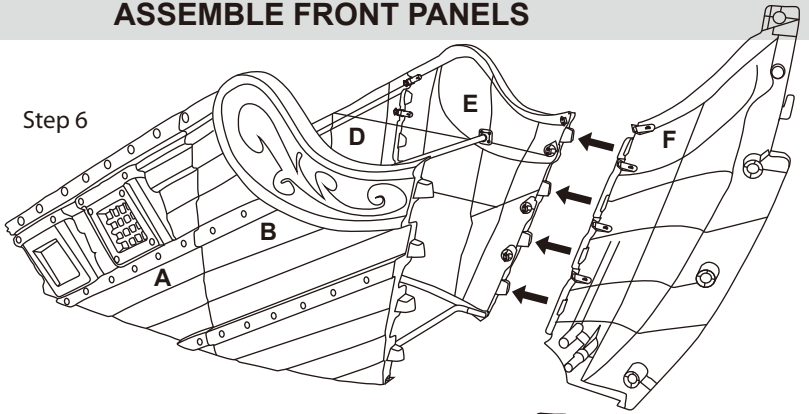
Step 5



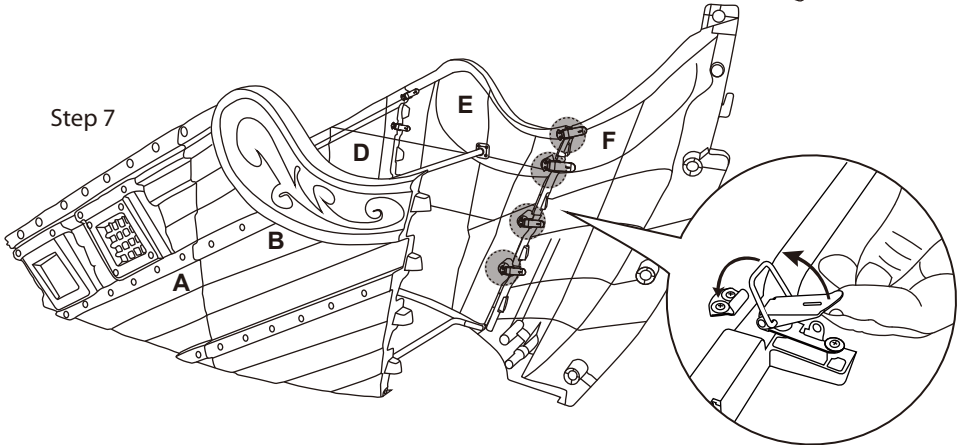
When disassembling part J-3, Please use "Locking Pin Access Tool" (Part "T") to depress the locking pin.

ASSEMBLE FRONT PANELS

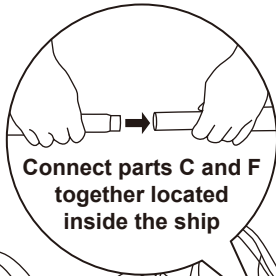
Step 6



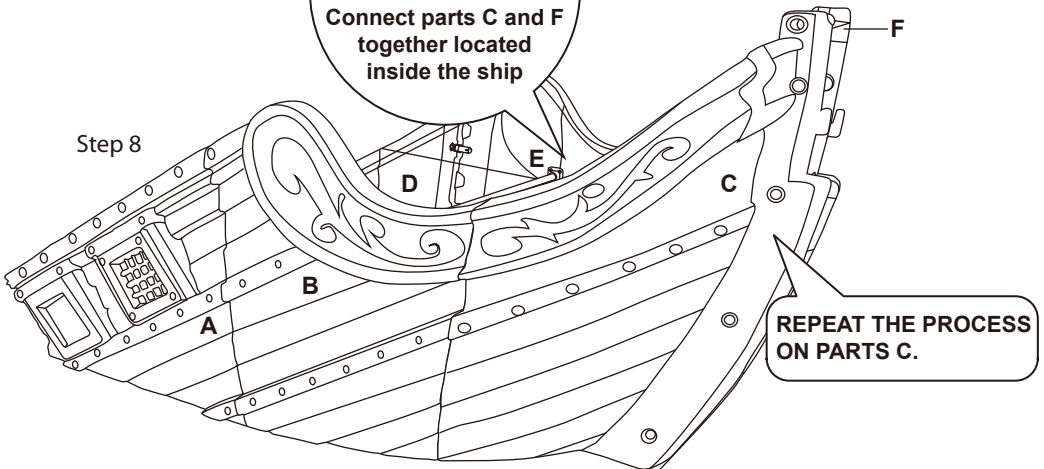
Step 7



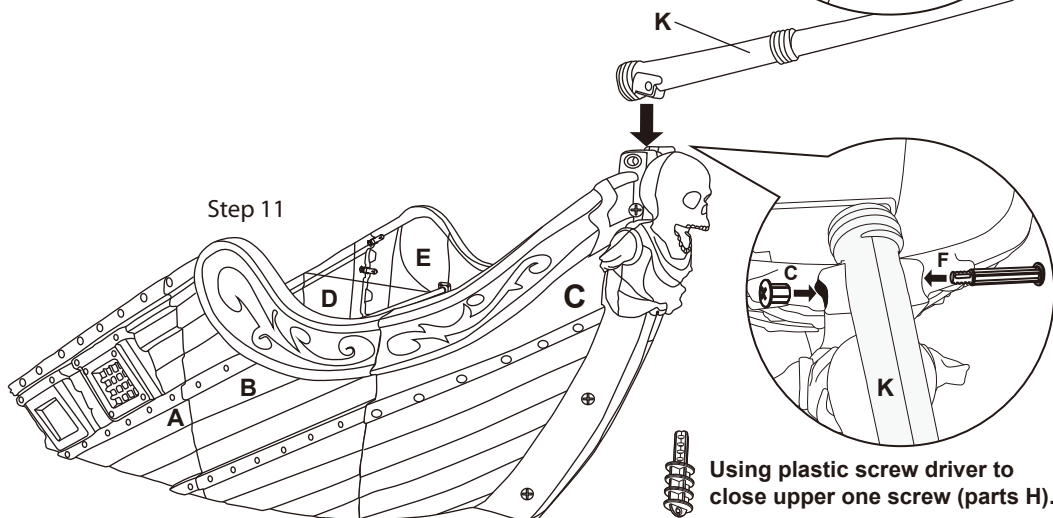
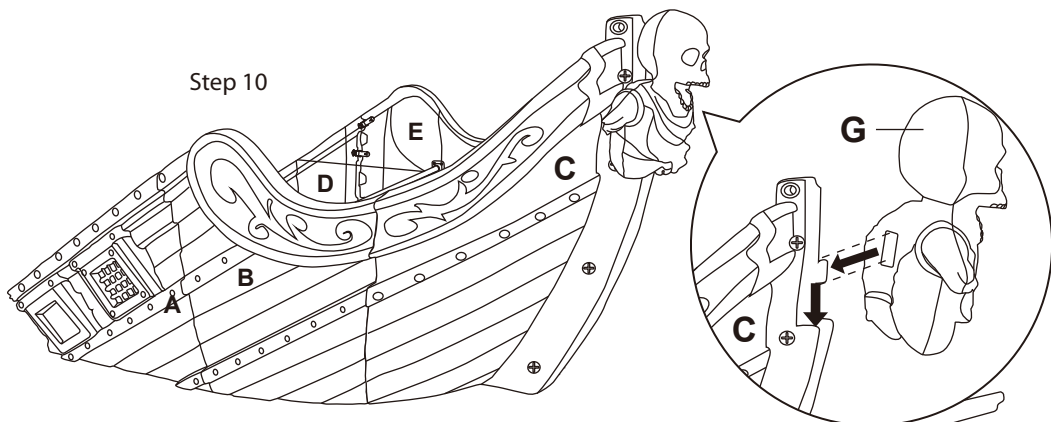
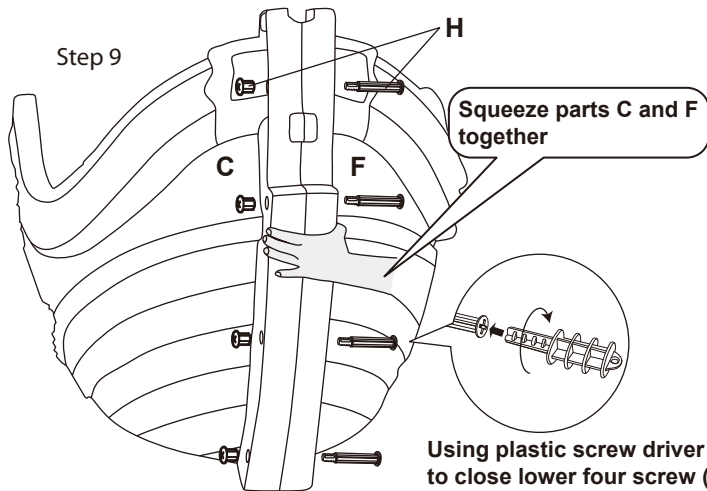
Close the four "Locking Clips" when parts C and E are assembled



Step 8

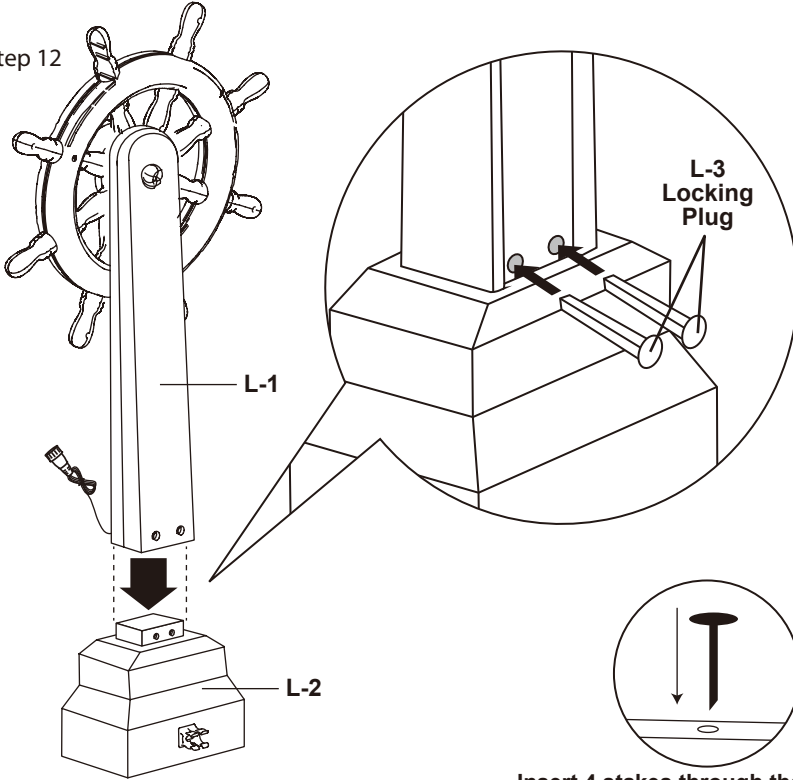


ATTACHING BOWSPRIT AND REAPER



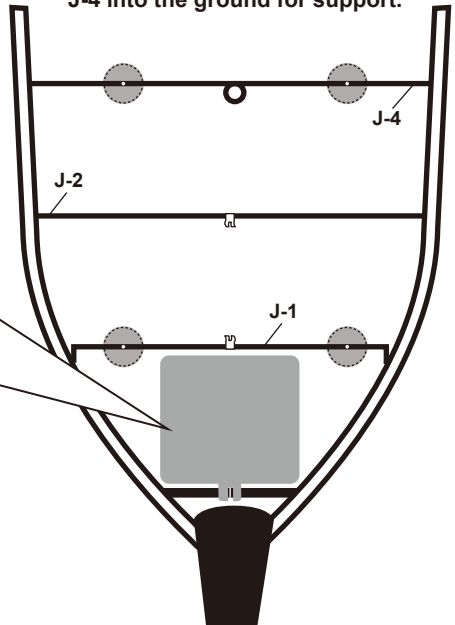
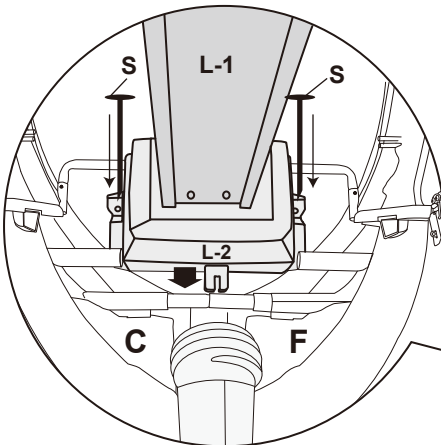
ASSEMBLE THE WHEEL

Step 12



Step 13

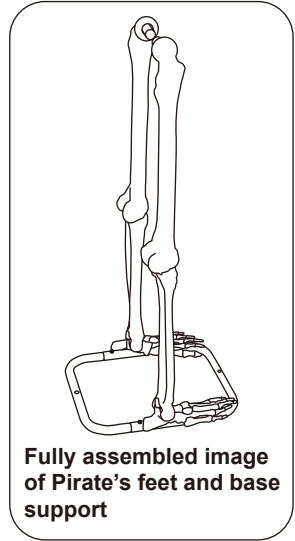
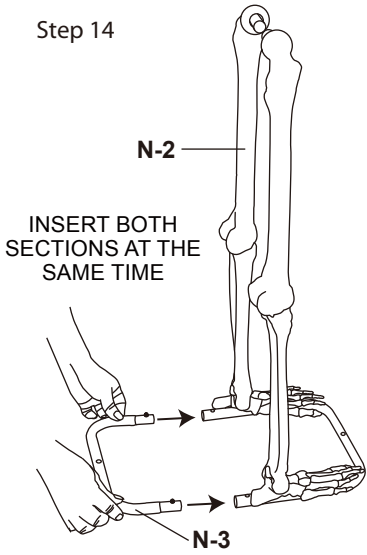
Insert 4 stakes through the J-1 and J-4 into the ground for support.



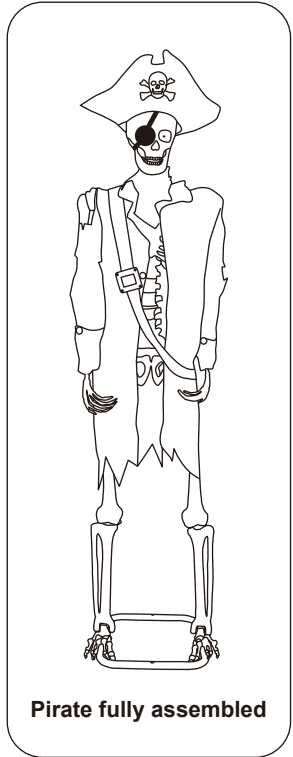
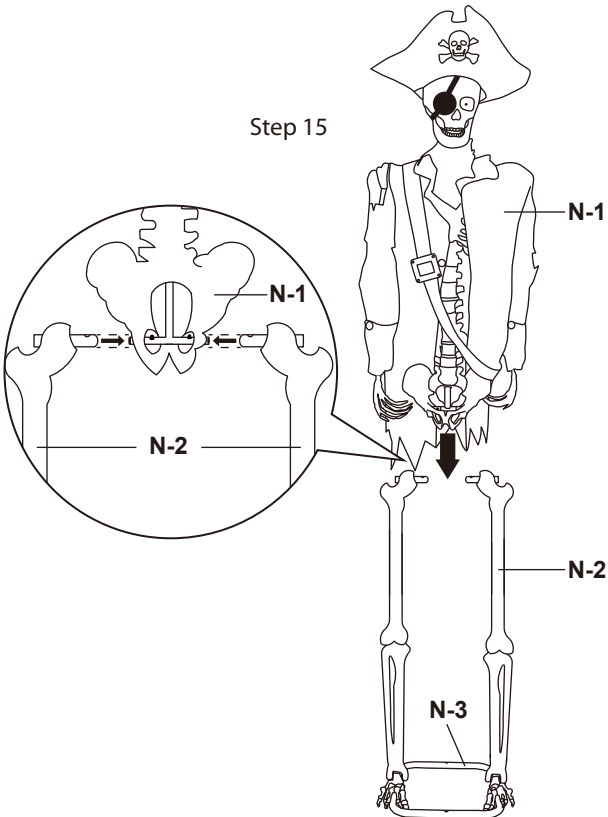
Insert the "snap joint" located in the Ship's Wheel Base into the assembled support bar located at the front of the ship, then insert 2 stakes through the ship's wheel base and into the ground for support.

ASSEMBLE THE PIRATE

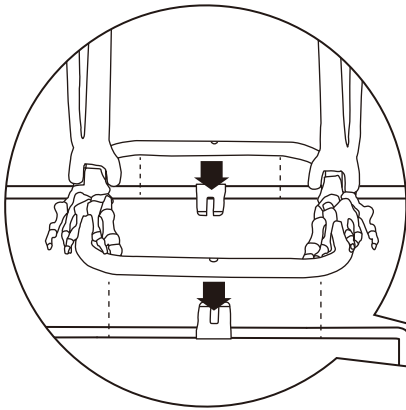
Step 14



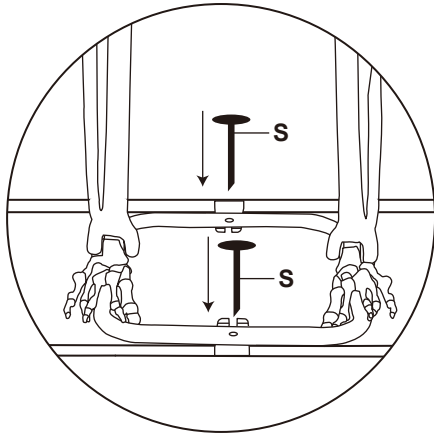
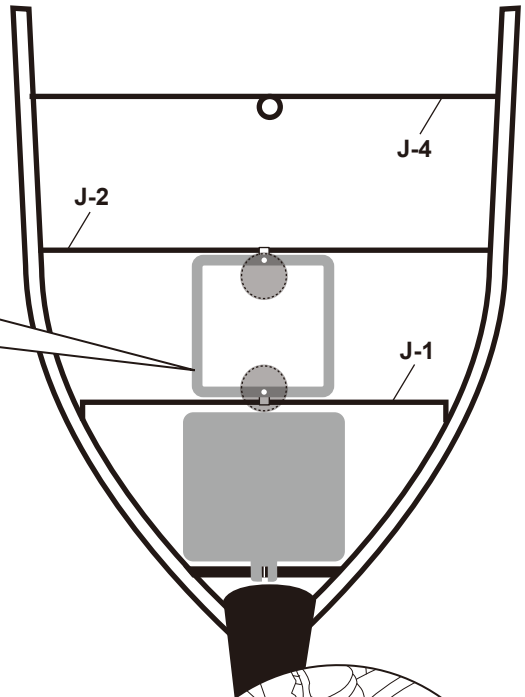
Step 15



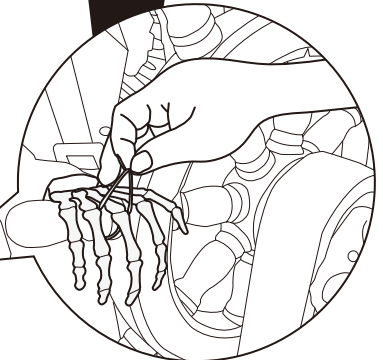
SECURE THE SHIP & PIRATE



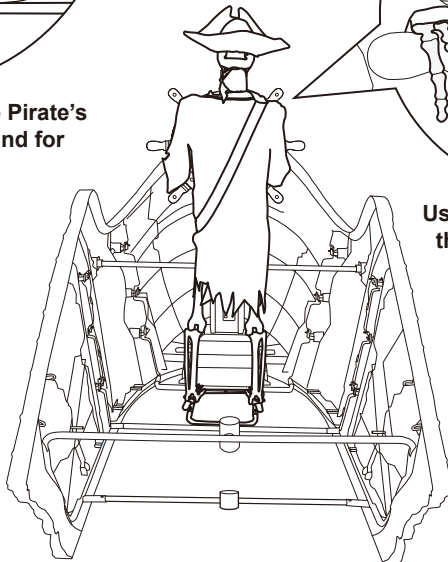
Attach the Pirate feet base into the "snap joint" located in the J-1 and J-2 supports.



Insert 2 stakes through the Pirate's feet base and into the ground for support.

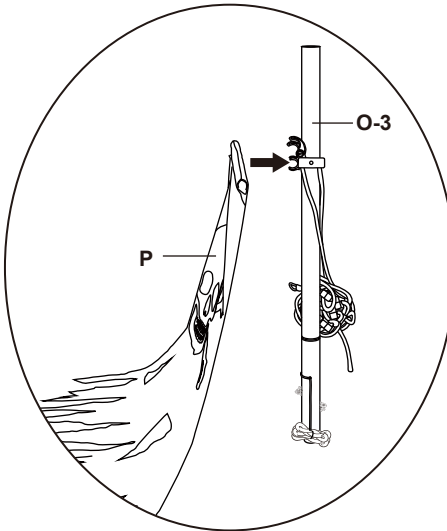


Using included bands secure the Pirate's two hands into the Ship wheel.

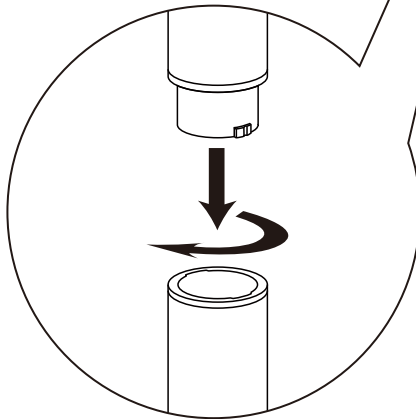
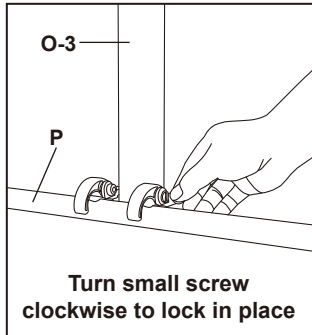
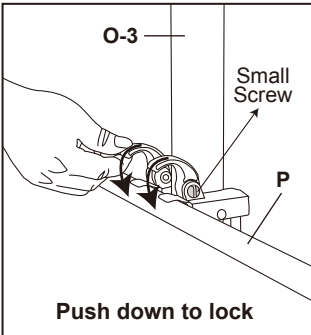


ASSEMBLE THE MAST

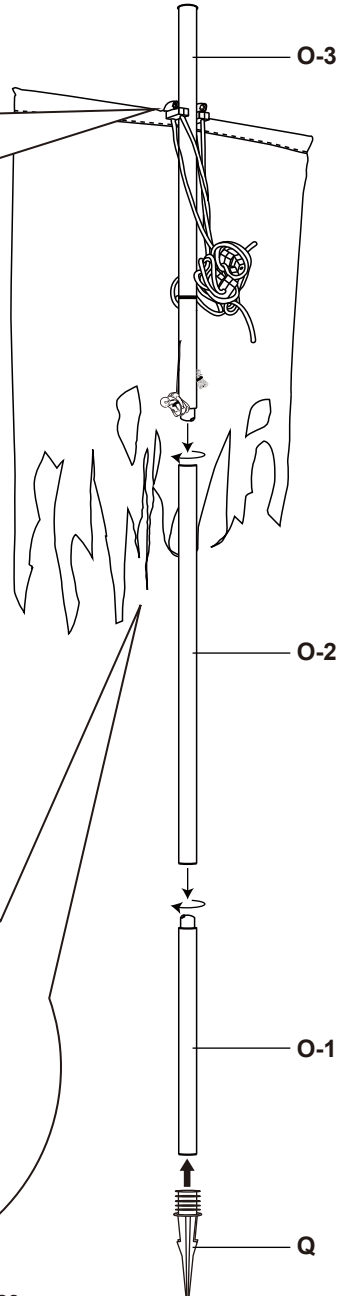
Step 17



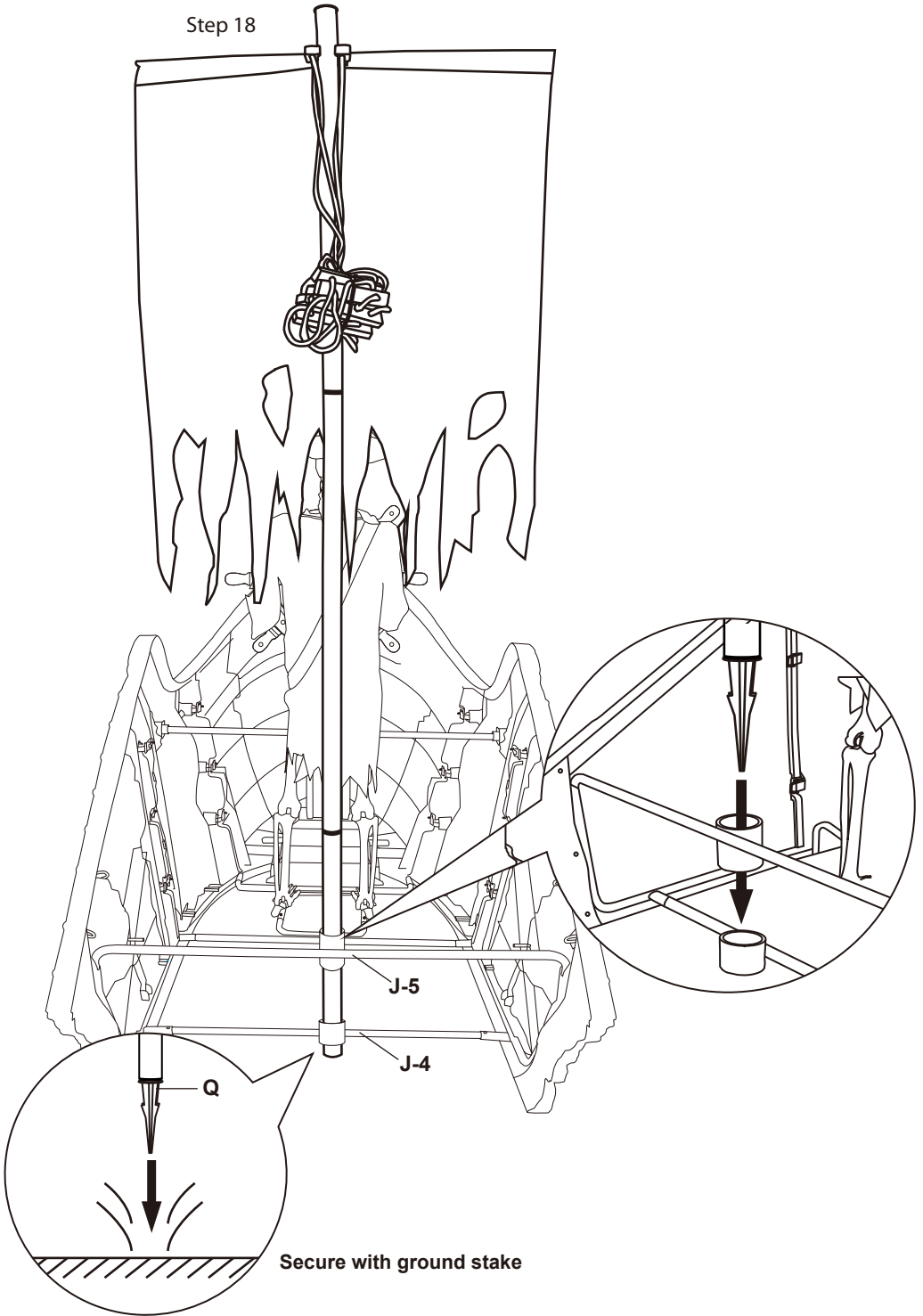
Attach the skull flag (part P) into the flag holder located on part O-3.



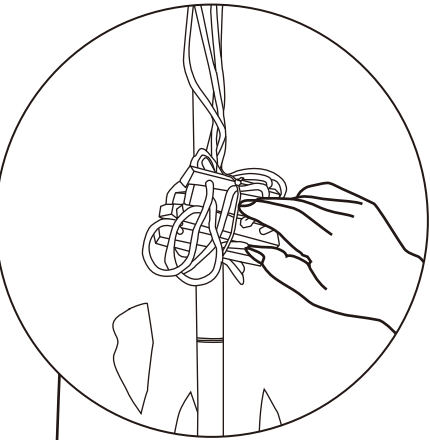
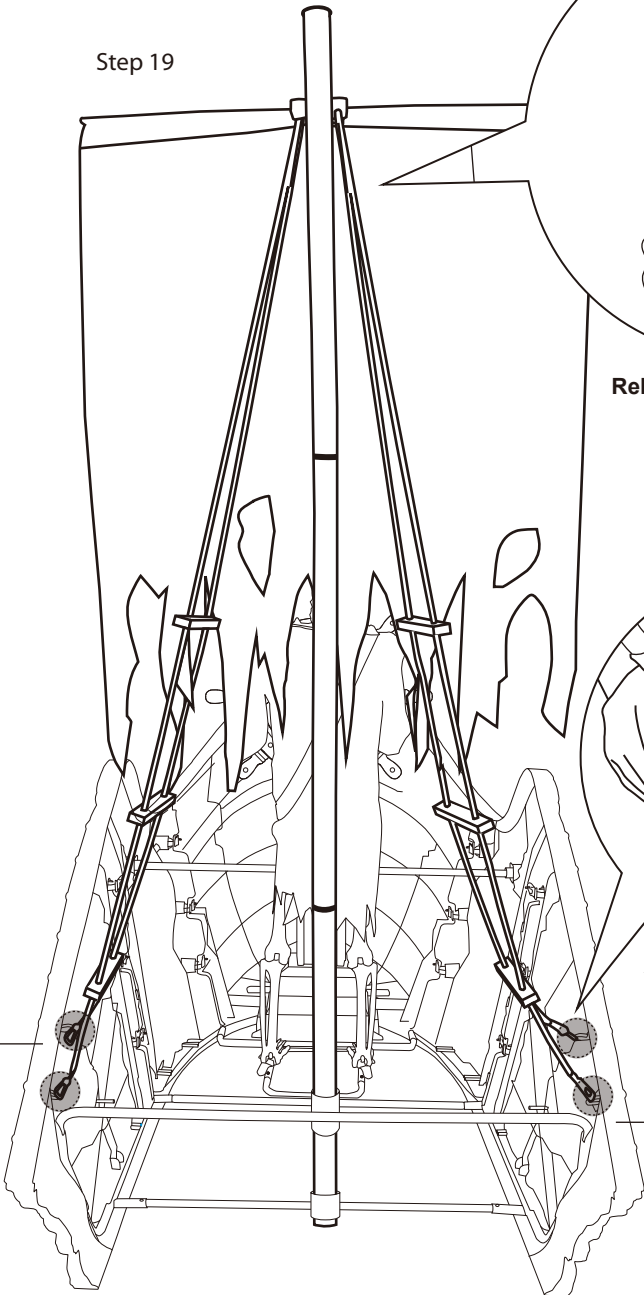
Turn clockwise to lock in place



Step 18



Step 19



Release the 2 ship ropes

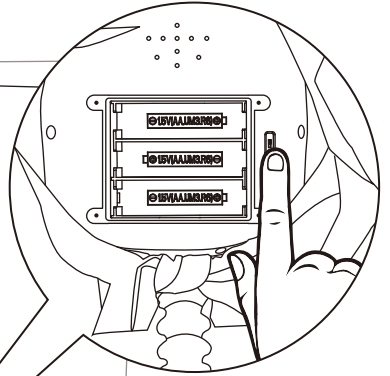


Attach 4 carabiner into the rings located on parts A and part D.

D

A

Step 20



Turn switch to ON position located in the back of the Pirate's head

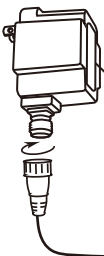
Tether

Tether

R

R

Plug the adapter into a standard 120V household outlet.



Part M
AC Adapter
(AC 12V, 830mA)

Tie the 2 Tether into the plastic stakes (part R), Insert stakes into the ground for support.

BATTERY REPLACEMENT & ITEM FUNCTION:

Battery-powered. Requires 3 "AA" batteries for Pirate (batteries are included).

1. Remove the battery case cover, which is located on the back of the Pirate' head. Using a small screw driver, unscrew the safety screw and then remove the battery compartment cover.
2. Clean the battery contacts and also those of the device prior to battery installation.
3. Insert new 3 "AA" batteries with correct polarity and replace cover and safety screw.
4. The ON/OFF switch is located on the battery case. Place the switch into the ON position to activate the LED illuminated eye. Switch into OFF position and remove batteries when not in use.
5. Replace batteries if the LED begins to dim.

TO ACTIVATE SHIP'S WHEEL:

Plug the AC adapter into a standard 120V household outlet to activate animated ship's wheel with rotating motion. Unplug the power adapter when not in use.

Problem	Solution
The Pirate or Ship's Wheel does not work	1. Check if the positive and negative terminals of the battery are installed correctly.
	2. Check whether the battery is dead. Replace the new battery or plug the adapter into a standard 120V household outlet and try again.
If you are still experiencing problems with the product please call 1-877-527-0313 for instructions.	

DISTRIBUTED BY:
HOME DEPOT
2455 PACES FERRY ROAD
ATLANTA, GA 30339