

DECK STONE INSTALLATION INSTRUCTIONS

Design and layout

- When installing deck stones, first spend time considering layout possibilities. The size of each deck stone is approximately 16" square, and 1-1/8" thick with the joist connector. Each deck stone is made from natural materials; therefore, sizes may vary slightly. Consider this when planning your layout.
- Allow 1/8" transition space between the deck stone and any other decking material for expansion and contraction.
- We recommend adding an additional joist connector where the different materials meet.
- Make sure the deck is framed 16" on-center.
- Staggered solid blocking between joists is necessary to ensure square and even joists. Staggered blocking should be installed at 4-foot spacing intervals.
- Check to ensure deck frame is square. Plane down any crowns and shim where joist sags are unavoidable. Typically, one would place the first row of deck stones at the outside edge and work back toward the house. This will ensure a full tile at the outside edge and eliminate a cut. There are, however, many deck configurations that may require you to start in the middle or at the house.

String line

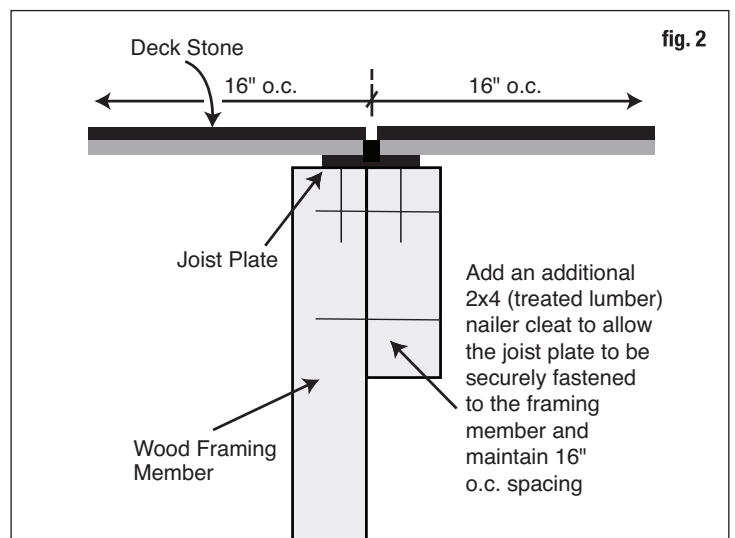
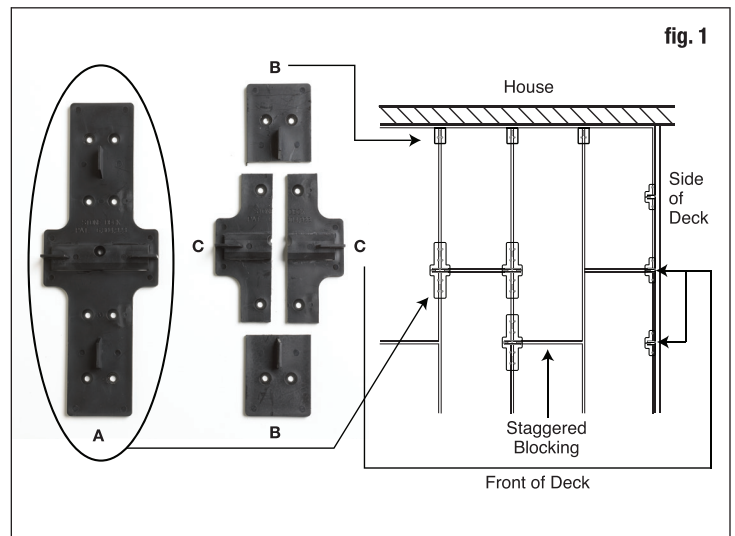
It is important to run string lines in both directions of the deck to ensure a straight line and proper deck stone placement. The joist connector has built-in spacing tabs that are designed to provide the minimum spacing required. Additional spacing may be necessary to achieve proper 16" on-center spacing.

Starting

- Familiarize yourself with the joist connector and the deck stone panel, and how they fit together. The ribs on the bottom of the deck stone panel must run from joist to joist.
- By making cuts to the joist connector, you can create smaller connectors that serve different functions (pictured in fig. 1). You will need to have a cutoff saw to accomplish the cuts necessary for the next procedure.
- Starting at the center of the outside edge of the deck, take part "B" (fig. 1) and place on the joist. Screw part "B" down to the joist.
- **NOTE:** If joist spacing is inconsistent and offset too far, it will need to have a 2x4 sister joist installed to provide the proper support (fig. 2).

Tools/Materials needed

- Measuring tape
- Pencil
- Power drill
- String line
- Rubber mallet
- Exterior construction adhesive (PL400 or equivalent)
- Skill saw with a diamond blade or tile saw
- Outdoor decking screws – #7 x 1 5/8"



DECK STONE INSTALLATION INSTRUCTIONS, CONTINUED

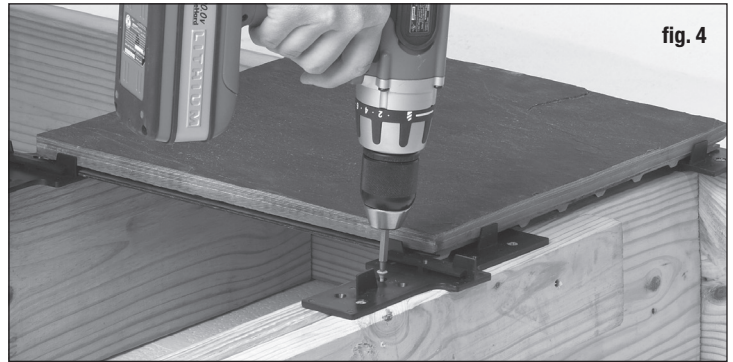
Edges

- When installing along the edge, if the joist connector doesn't engage with the groove on the deck stone, or there isn't a joist connector on that piece, apply an exterior construction adhesive on the surface of the joist connector to secure the deck stone panel to the joist connector (fig. 3).
- Along the sides of the deck, use part "C" to secure the deck stone panel.



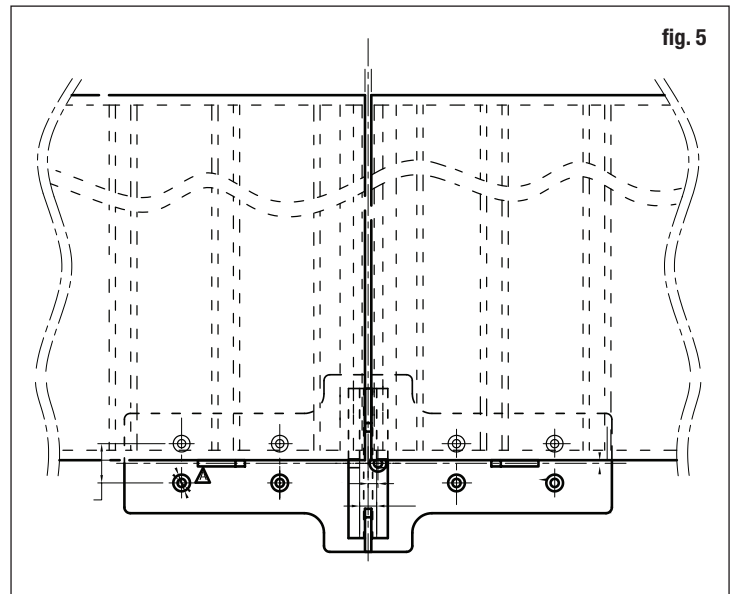
Subsequent rows

- Once the first row is installed, the second row of deck stone panels can be placed. After placing the second row, joist connector "A" can be placed underneath the deck stone panels.
- Place the joist connectors so that the countersunk screw hole in the center of the joist connector is exposed.
- Put a screw into the joist connector hole and into the joist below (fig. 4). Place two more screws, staggered, in remaining exposed holes (three screws per joist connector).
- You may now place subsequent rows (fig. 5).



Finishing

- If you have started on the outside and have worked back toward the house, you may have a situation where you need to trim a deck stone panel.
- Place joist connector part "B" up close to the house. Take exterior construction adhesive and apply generously to the topside of joist connector part "B."
- Take the deck stone panel and, starting at a 45-degree angle, slide the panel with the grooved end into the joist connector from the previous row and slowly drop into place.
- Weight should be applied to the top surface of the cut deck stone panel to make full contact with the construction adhesive.



Maintenance

- Use of an exterior impregnator sealer is required to reduce staining and to protect the stone in freeze-thaw conditions.
- We recommend sealing your deck stones once a year, per warranty.
- If you have additional questions, please contact customer service at 877.463.8379.

THE DIAGRAMS AND INSTRUCTIONS IN THIS BROCHURE ARE FOR ILLUSTRATION PURPOSES ONLY AND ARE NOT MEANT TO REPLACE A LICENSED PROFESSIONAL. ANY CONSTRUCTION OR USE OF THE PRODUCT MUST BE IN ACCORDANCE WITH ALL LOCAL ZONING AND/OR BUILDING CODES. THE CONSUMER ASSUMES ALL RISKS AND LIABILITY ASSOCIATED WITH THE CONSTRUCTION OR USE OF THIS PRODUCT. THE CONSUMER OR CONTRACTOR SHOULD TAKE ALL NECESSARY STEPS TO ENSURE THE SAFETY OF EVERYONE INVOLVED IN THE PROJECT, INCLUDING, BUT NOT LIMITED TO, WEARING THE APPROPRIATE SAFETY EQUIPMENT. EXCEPT AS CONTAINED IN THE WRITTEN LIMITED WARRANTY, THE WARRANTOR DOES NOT PROVIDE ANY OTHER WARRANTY, EITHER EXPRESS OR IMPLIED, AND SHALL NOT BE LIABLE FOR ANY DAMAGES, INCLUDING CONSEQUENTIAL DAMAGES.