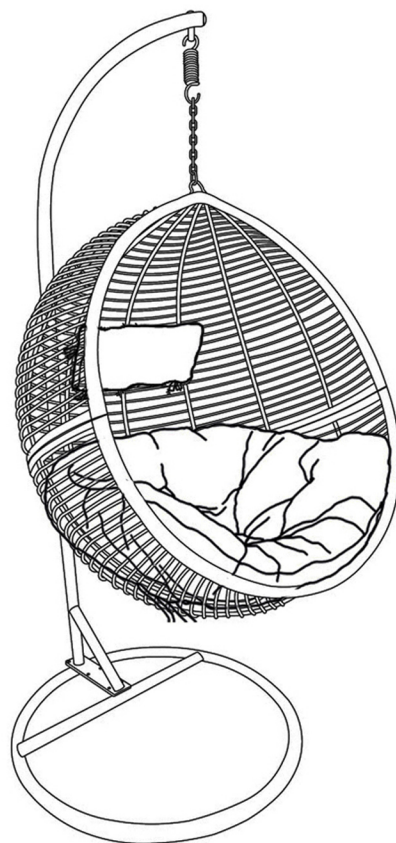


## USE AND CARE GUIDE

---

### GREY WICKER EGG SWING CHAIR WITH STAND AND CUSHIONS



Questions, problems, missing parts? Before returning to the store,  
call Hampton Bay Customer Service  
8 a.m. - 7 p.m., EST, Monday – Friday, 9 a.m. – 6 p.m., EST, Saturday

**1-855-HD-HAMPTON**

**HAMPTONBAY.COM**

---

#### **THANK YOU**

*We appreciate the trust and confidence you have placed in Hampton Bay through the purchase of this set of 4. We strive to continually create quality products designed to enhance your home. Visit us online to see our full line of products available for your home improvement needs. Thank you for choosing Hampton Bay!*

# Table of Contents

Table of Contents ..... 1  
THD - TOC2 ..... 1  
Safety Information ..... 1  
Warranty ..... 2  
What is covered..... 2  
What is not covered ..... 2

Pre-Installation..... 3,6  
Hardware Included..... 2,5  
Package Contents ..... 3,6  
Installation..... 4,7  
Care & Cleaning ..... 8

## Important Safety Instructions

### SAVE THESE INSTRUCTIONS


 **WARNING:** FUELS USED IN LIQUEFIED PROPANE GAS APPLIANCES, AND THE PRODUCTS OF COMBUSTION OF SUCH FUELS, CAN EXPOSE YOU TO CHEMICALS INCLUDING BENZENE, WHICH IS KNOWN TO THE STATE OF CALIFORNIA TO CAUSE CANCER AND CAUSE BIRTH DEFECTS OR OTHER REPRODUCTIVEHARM. For more information go to: [www.P65Warnings.ca.gov](http://www.P65Warnings.ca.gov).


 **WARNING:** FUELS USED IN WOOD OR CHARCOAL BURNING APPLIANCES, AND THE PRODUCTS OF COMBUSTION OF SUCH FUELS, CAN EXPOSE YOU TO CHEMICALS INCLUDING CARBON BLACK, WHICH IS KNOWN TO THE STATE OF CALIFORNIA TO CAUSE CANCER, AND CARBON MONOXIDE, WHICH IS KNOWN TO THE STATE OF CALIFORNIA TO CAUSE BIRTH DEFECTS OR OTHER REPRODUCTIVE HARM. For more information go to: [www.P65Warnings.ca.gov](http://www.P65Warnings.ca.gov).


### READ ALL INSTRUCTIONS BEFORE USE


To reduce the risk of injury to persons:

1. Close supervision is necessary when this furnishing is used by or near children, or disabled persons, if applicable.
2. Use this furnishing only for its intended use as described in these instructions. Do not use attachments not recommended by the manufacturer.
3. Do not move the hanging stand and swing chair while it is occupied.Failure to obey this caution could result injury.

 **DANGER:** THD Danger/Warning/Caution/Important/Note Text.[ HelveticaNeueLT STD, 9pt.]

 **WARNING:** THD Danger/Warning/Caution/Important/Note Text.[ HelveticaNeueLT STD, 9pt.]

 **CAUTION:** THD Danger/Warning/Caution/Important/Note Text.[ HelveticaNeueLT STD, 9pt.]

 **IMPORTANT:** THD Danger/Warning/Caution/Important/Note Text.[ HelveticaNeueLT STD, 9pt.]

### SET UP YOUR FURNITURE PROPERLY

1. Ensure that all parts are assembled properly and fully tightened as per the instructions.
2. When placing in the desired location, ensure that all legs are resting on the same surface.


### EXAMINE YOUR FURNITURE

Examine occasionally to ensure that there are no loose parts. If loose parts are found, they must be re-tightened fully before additional use.

### OBERVE WEIGHT LIMITS

The weight limits for the following products are listed below:

- |  |   |
|--|---|
| <input type="checkbox"/> Chair: 300 lbs        | <input type="checkbox"/> Sofa: 700 lbs          |
| <input type="checkbox"/> Swivel Chair: 300 lbs | <input type="checkbox"/> Rocking Chair: 300 lbs |
| <input type="checkbox"/> Loveseat: 500 lbs     | <input type="checkbox"/> Chaise Lounge: 300 lbs |
| <input type="checkbox"/> Ottoman: 150 lbs      | <input type="checkbox"/> Dining Table: 100 lbs  |
| <input type="checkbox"/> Table: 50 lbs         | <input type="checkbox"/> Dining Chair: 200 lbs  |

 **CAUTION:** If you overload your furniture,injuries can occur.

# Warranty

## TWO YEAR FRAME, WEAVE AND FABRIC LIMITED WARRANTY

### WHAT IS COVERED

We warrant the frame, weave and fabric to be free of manufacturing defects to the original purchaser for two years. For glass table top we warrant 30 days from the date of purchase.

### WHAT IS NOT COVERED

This warranty does not cover commercial use, hardware, acts of nature, fire, freezing and abusive use. In addition, purchased parts are not covered under this warranty.

We reserve the right to make substitutions with similar merchandise, if the model in question is no longer in production.

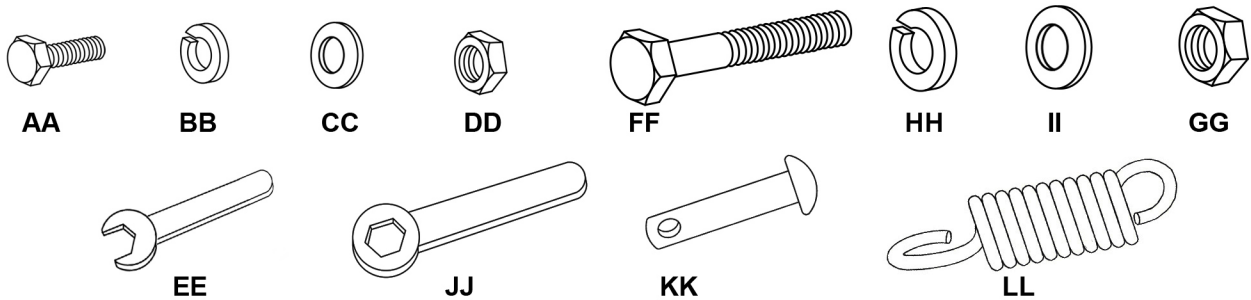
Contact the Customer Service Team at 1-855-HD-HAMPTON or visit [www.Hamptonbay.com](http://www.Hamptonbay.com).

# Pre-Installation

## PLANNING INSTALLATION

To prevent damage, place all parts on a soft surface during assembly. Remove all protective caps before beginning assembly.

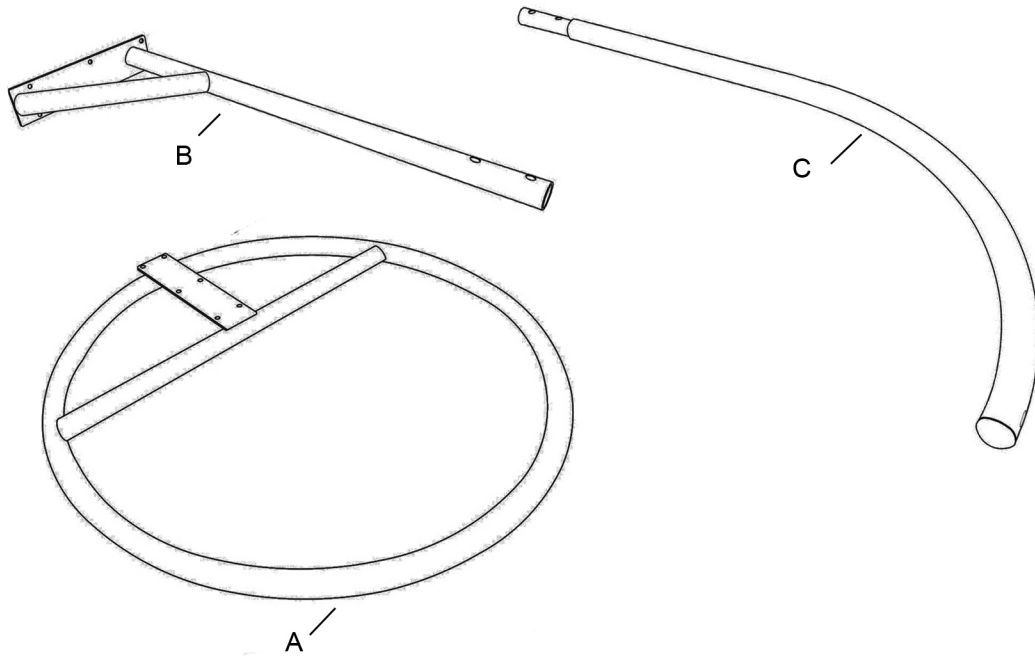
## HARDWARE INCLUDED



Part	Description	Quantity
AA	hexhead bolt (Φ8x25mm)	6
BB	split lock washer (Φ8mm)	6
CC	plain washer (Φ8mm)	6
DD	hexagonal nut (Φ8mm)	6
EE	hexagonal wrench (Φ8mm)	1
FF	hexhead bolt (Φ12X60mm)	2
GG	hexagonal nut (Φ12mm)	2
HH	split lock washer (Φ12mm)	2
II	plain washer (Φ12mm)	2
JJ	hexagonal wrench (Φ12mm)	1
KK	pin (70x15mm)	1
LL	hanging spring (170xΦ42mm)	1

# Pre-Installation

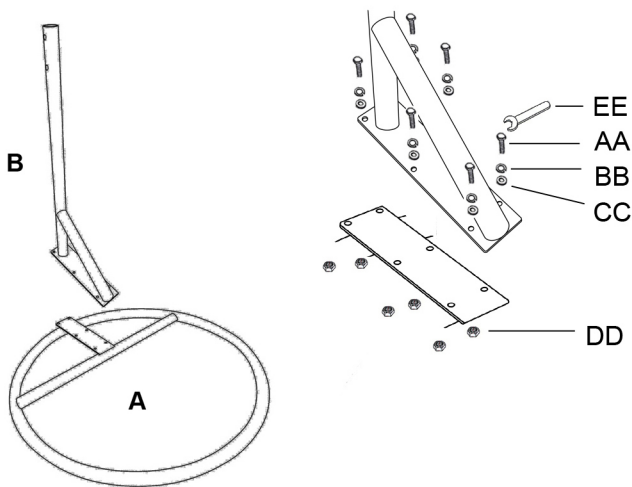
## PACKAGE CONTENTS (HANGING STAND)



Part	Description	Quantity
A	base frame	1
B	middle frame	1
C	top frame	1

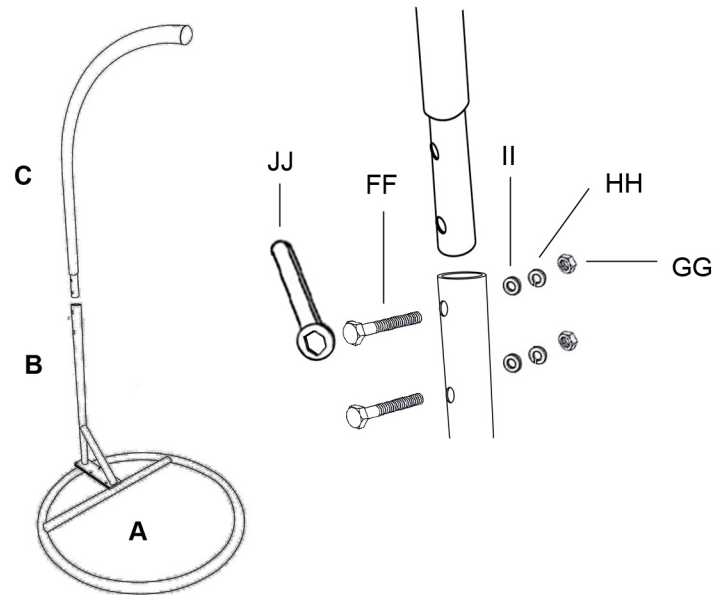
## 1 Attaching the base stand

- Attach the base (A) to the middle (B) by aligning holes on the middle (B) with the holes on the base (A) and inserting hexhead bolt (AA) with washers (BB)(CC) and inserting hex nut (DD)
- Tighten half way using the hex wrench (EE). Do not tighten completely.



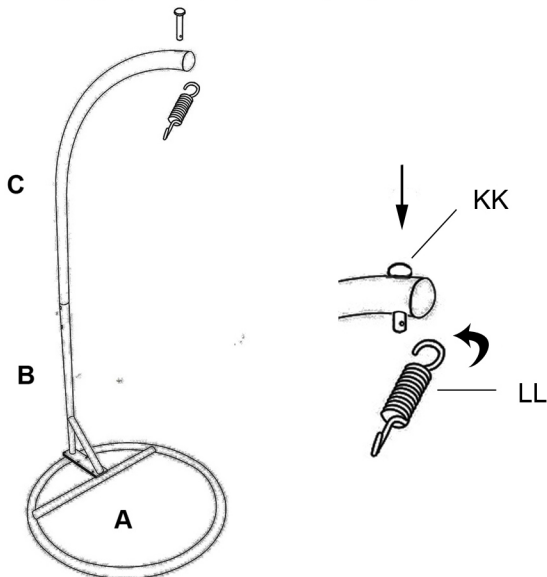
## 2 Attaching the middle and top stand

- Attach the middle (B) to the top (C) by aligning holes on the top (C) with the holes on the middle (B) and inserting hexhead bolt (FF) with washers (II) (HH) and inserting hex nut (GG).
- Tighten half way using hex wrench (JJ). Do not tighten completely.



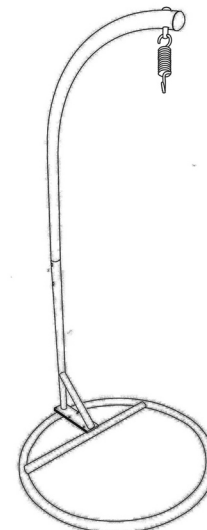
## 3 Attaching the pin and spring

- Attach the pin (KK) to the hole top (C) and attach the hanging spring (LL) to the pin (KK) hole.



## 4 Completing the assembly

- Check and make adjustment as needed. Fully tighten all hexhead bolt (AA) and (FF) with the hex wrench (EE) and (JJ).
- The stand is now ready to hang the swing chair.



# Warranty

## TWO YEAR FRAME, WEAVE AND FABRIC LIMITED WARRANTY

### WHAT IS COVERED

We warrant the frame, weave and fabric to be free of manufacturing defects to the original purchaser for two years. For glass table top we warrant 30 days from the date of purchase.

### WHAT IS NOT COVERED

This warranty does not cover commercial use, hardware, acts of nature, fire, freezing and abusive use. In addition, purchased parts are not covered under this warranty.

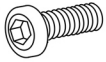
We reserve the right to make substitutions with similar merchandise, if the model in question is no longer in production. Contact the Customer Service Team at 1-855-HD-HAMPTON or visit [www.Hamptonbay.com](http://www.Hamptonbay.com).

# Pre-Installation

## PLANNING INSTALLATION

To prevent damage, place all parts on a soft surface during assembly. Remove all protective caps before beginning assembly.

## HARDWARE INCLUDED



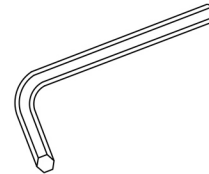
MM



NN



OO

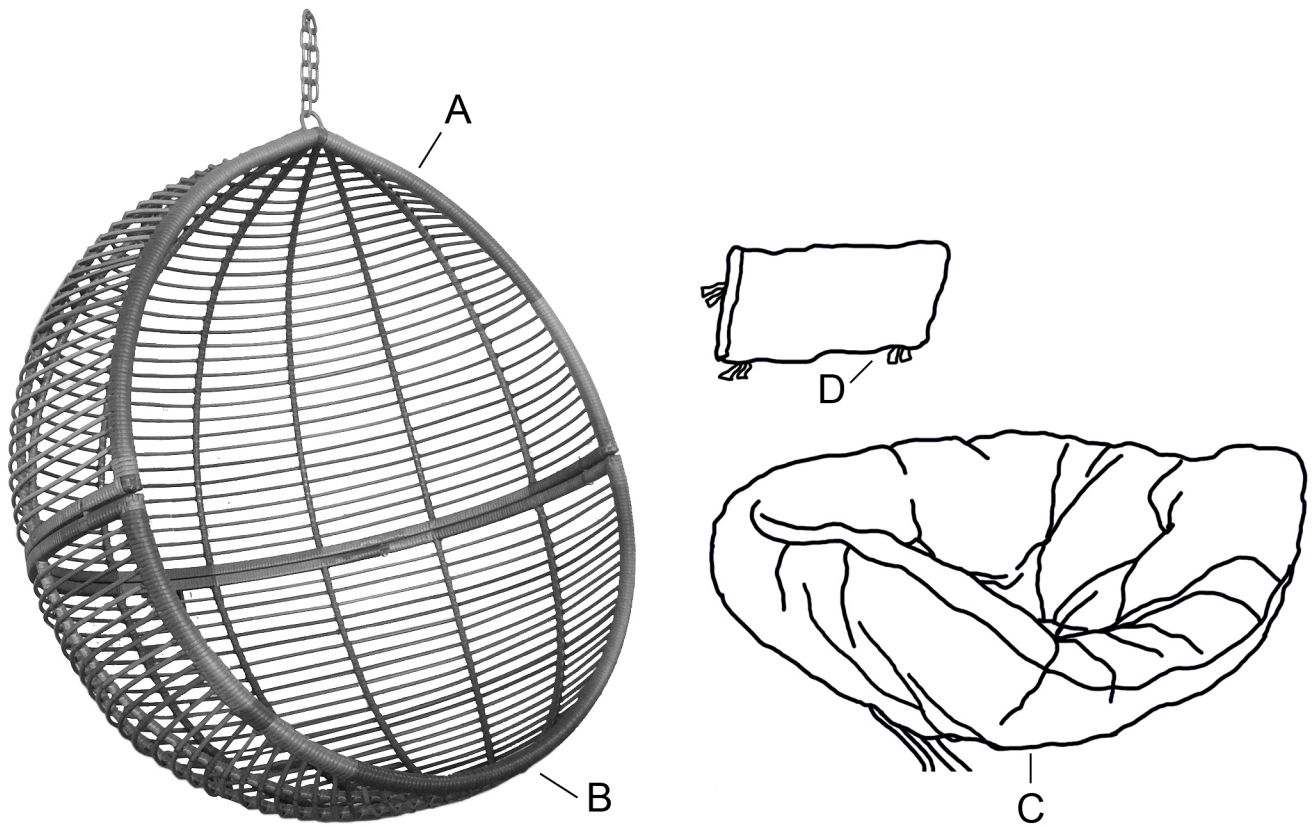


PP

Part	Description	Quantity
MM	panhead allen bolt (Ø8x20mm)	4
NN	plain washer (Ø8mm)	4
OO	plastic cap (Ø8mm)	4
PP	allen wrench (Ø5mm)	1

# Pre-Installation

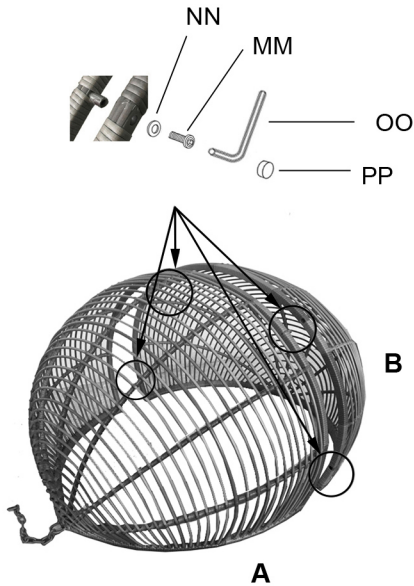
## PACKAGE CONTENTS (EGG SWING)



Part	Description	Quantity
A	top arc	1
B	base arc	1
C	seat cushion	1
D	back cushion	1

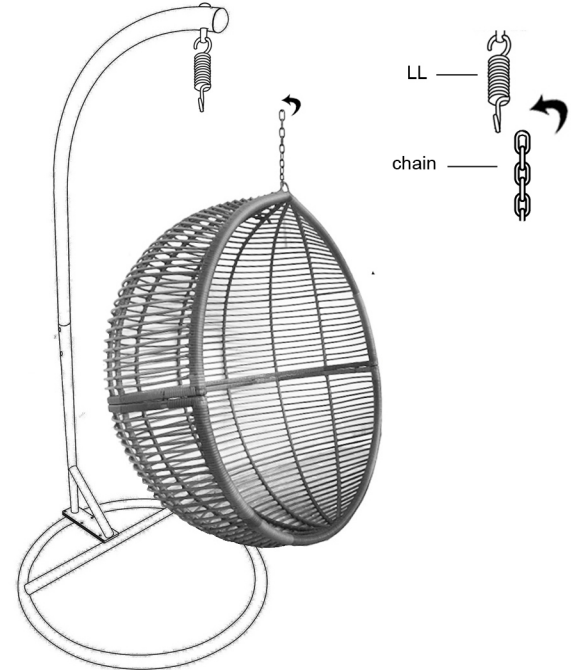
## 1 Attaching top/base egg swing

- Attach the top arc (A) to the base arc (B) aligning holes on the base arc (B) with the holes on the top arc (A) and inserting panhead bolt (MM) with washers (NN).
- Tighten half way using the hex wrench (OO) and inserting plastic cap (PP).



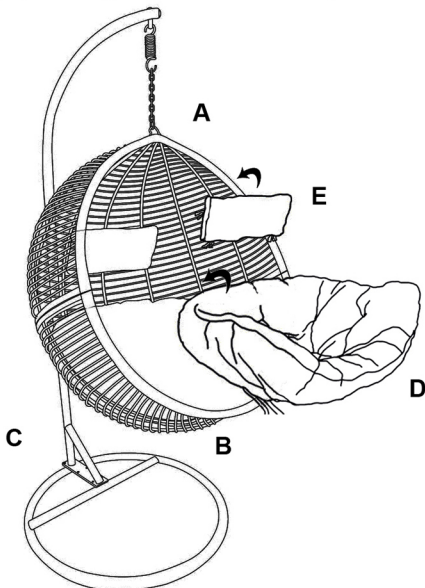
## 2 Attaching stand/egg swing

- Attach the chain to the hook (LL)



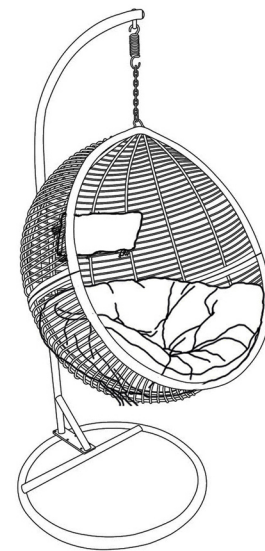
## 3 Attaching the seat /back cushion

- Place the seat cushion (D) to the base arc (B) and tighten the back strap, place the back cushion (E) to the top arc (A) and tighten the back strap.



## 4 Completing the assembly

- Check and make adjustment as needed. Fully tighten all hex head bolt (MM) with the hex wrench (OO).
- The chair is now ready for your enjoyment





# Care and Cleaning

---

- Before using, wipe with a clean, dry cloth. Do not use bleach or solvents. When not in use, store furniture in a cool, dry place. If your set includes cushions or mesh fabric, they may be cleaned by hand with a mild solution of soap and water.
- Rinse cushion thoroughly and allow to drip dry. Do not machine wash or tumble dry, as cushions may shrink.
- Do not use bleach or solvents on fabrics. When cleaning the table top make sure to use a soft, clean cloth that does not bleed color as well.

# Care and Maintenance

---

- Wash the frame with a mild solution of soap and water, rinse with clean water, and dry thoroughly.
- Cushions may also be cleaned by hand with a mild solution of soap and water. Rinse the cushion cover thoroughly and allow to drip dry. The back cushion and pillow should be spot cleaned with a soft cloth. Do not machine wash or tumble dry, as cushions may shrink. Do not use bleach or solvents on fabrics. Never use cleaners that contain acid or abrasive materials.
- Use and operation: To improve the lifespan of this furniture, cover when not use and store in a dry place in the off season.

# HAMPTON BAY<sup>®</sup>

Questions, problems, missing parts? Before returning to the store,  
call Hampton Bay Customer Service  
8 a.m. – 7 p.m., EST, Monday – Friday, 9 a.m. – 6 p.m., EST, Saturday

**1-855-HD-HAMPTON**

**HAMPTONBAY.COM**

Retain this manual for future use.



BEFORE RETURNING THE PATIO FURNITURE TO HOME DEPOT

PLEASE CALL US AT

**855-HD-HAMPTON (855-434-2678)**

Mon-Fri: 8am-7pm Sat: 9am-6pm EST

OR VISIT OUR WEBSITE AT:

[WWW.HOMEDEPOT.COM](http://WWW.HOMEDEPOT.COM)

SEARCH THE UPC NUMBER FOR INSTRUCTION AND FAQ

Warranty Coverage Requirements:

1. Copy of your store or online receipt or credit card used for purchase
2. Pictures of the damaged parts
3. Name/model/UPC of your item (you can find the UPC on the silver sticker under your chair, on the label of your cushion or on the box)
4. Please gather all of this information BEFORE you call customer service