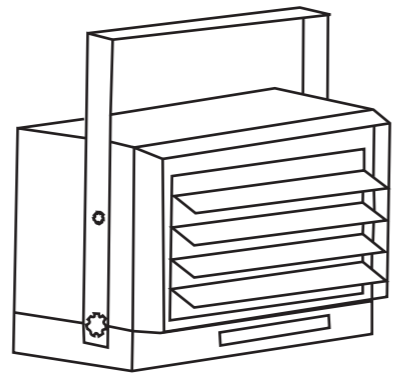




CZ260ER

DIGITAL HEAVY DUTY 10,000W ELECTRIC UTILITY HEATER



Save These Instructions

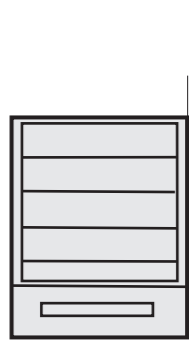
DESCRIPTION

Electric utility heaters are designed to meet a variety of heating requirements. Heat output ranges from to 21,331 BTUs per hour to 25,589 BTUs per hour. Features horizontal and vertical flow, built-in thermostat and high limit thermal cutout.

SPECIFICATIONS

WATTS	VOLTS	PHASE	AMPS	BTU/HOUR
10,000W	240V,60Hz	1	41.67	34,122

FRONT VIEW



SIDE VIEW

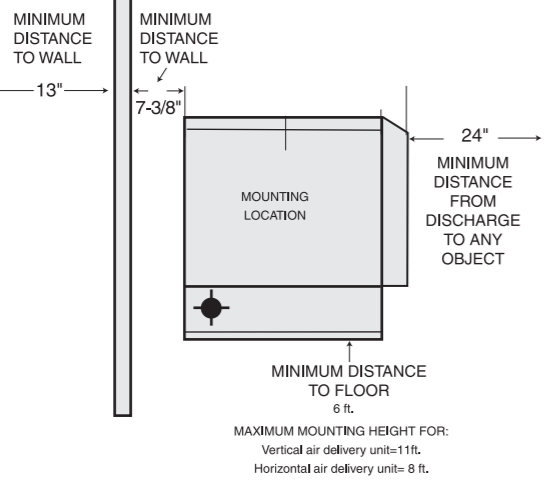


Figure 2

General Safety Information

WARNING Read and understand installation and operation instructions and observe all safety instructions before using this heater.

- Use copper wire only for supply connections. The wire should be properly sized and insulated. Do not use aluminum wire with this installation. Wires should be suitable for at least 167°F (75°C).
- Heater air flow must be directed parallel to, or away from adjacent wall.
- Observe wall, floor, and ceiling clearance requirements.
- All wiring must conform to national and local electrical codes in the United States and the heater must be grounded as a precaution against possible electrical shock. Heater circuit must be protected with proper fuses.
- This heater is hot when in use. To avoid burns, do not let bare skin touch hot surfaces. Keep combustible materials, such as furniture, pillows, bedding, papers, clothes, etc. and curtains at least 3 feet (0.9 m) from the front of the heater and keep them away from the sides and rear.
- Do not use outdoors.
- This heater is not intended for use in bathrooms, laundry areas and similar indoor locations.

- Extreme caution is necessary when any heater is used by or near children or invalids and whenever the heater is left operating and unattended.
- Do not operate any heater after it malfunctions. Disconnect power at service panel and have heater inspected by a reputable electrician before reusing.
- Do not insert or allow foreign objects to enter any ventilation or exhaust opening as this may cause an electric shock or fire, or damage the heater.
- To prevent a possible fire, do not block air intakes or exhaust in any manner.
- Use this heater only as described in this manual. Any other use not recommended by the manufacturer may cause fire, electric shock, or injury to persons.
- The mounting structure and the anchoring hardware must be capable of reliably supporting the weight of the heater and, if used, the mounting bracket.
- All electrical power must be disconnected and the main service box must be locked before inspection, cleaning or servicing the heater. This is a precaution to prevent serious shock.
- This heater is not suitable for use in hazardous locations as defined by the national fire protection association (NFPA) in the United States. This heater has hot and arcing (sparking) parts inside. Do not use in areas where gasoline, paint, or flammable liquids are used or stored.
- This heater is not suitable for use in corrosive atmosphere such as marine, greenhouses or chemical storage areas.
- Do not install closer than 8 inches to a vertical surface. Do not install less than 6 feet from the floor.

SAVE THESE INSTRUCTIONS

WARNING Improper installation or failure to follow the procedures outlined in this instruction manual can result in serious electrical shock.

LOCATING HEATER

Install heater out of traffic areas maintaining clearances stated in figure 2. The direction of air flow should not be restricted (ie: by columns or machinery) and the air flow should wipe exposed walls, rather than blowing directly at them. When more than one heater is used in an area, the heaters should be arranged so that the air discharge of each heater supports the air flow of the others to provide best circulation of warm air, as indicated in figure 3.

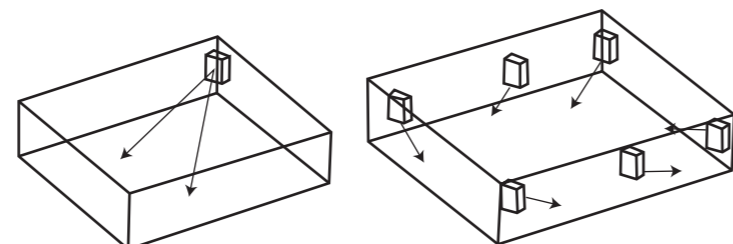


Figure 3

Installation

MOUNTING THE BRACKET

Refer to Figure 4a and 4b.

- Locate a stud in the ceiling joist.
- Remove the mounting bracket from the heating unit by loosening bracket thumb screws.
- Drill a 1/4" pilot hole in ceiling joists. Place a washer on screws before inserting through the holes in the mounting bracket, and screw them securely into a ceiling joist.
NOTE: If you want to swivel the heater either to the right or left, adding a washer to both sides of the bracket is recommended. A longer Lag bolt may be required to properly secure the unit (see 4a).
- Tighten screws enough to securely hold heating unit with air flow pointed in proper direction.

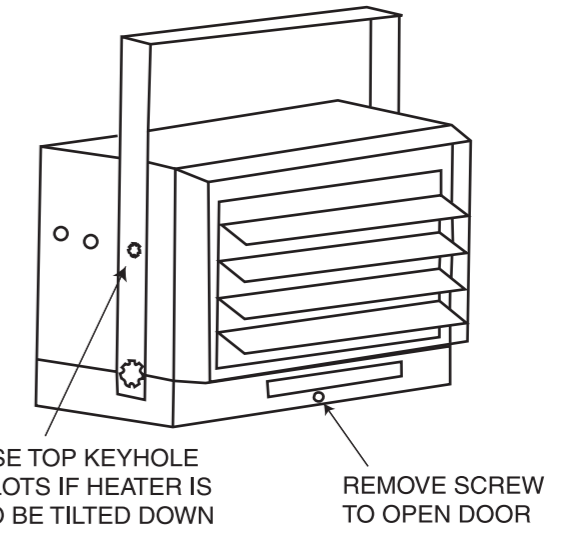


Figure 5

Installation (Continued)

CONNECTING THE POWER

- Remove the screw from the front of the unit to connect the power to the heater.
- Attach the cable connectors to the unit (See Figure 6) and slide the wire through the cable connector.

NOTE: This appliance must be grounded.

NOTE: Proper size fuses and circuit breakers in accordance with the National Electric Code must be used.

NOTE: The appliance must connect to a current protection circuit or device at 50Amp or less before connecting to power supply.

NOTE: For certain applications, conduit may be required (See figure 6). Check local electrical codes. If you run the wiring in conduit and wish to be able to turn the heater to be sure to purchase enough flexible conduit to allow the heater to be turned.

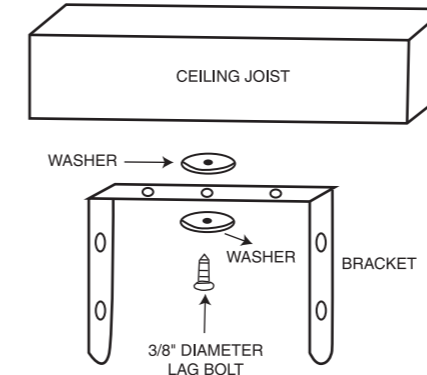


Figure 4a - Single- Screw Mounting

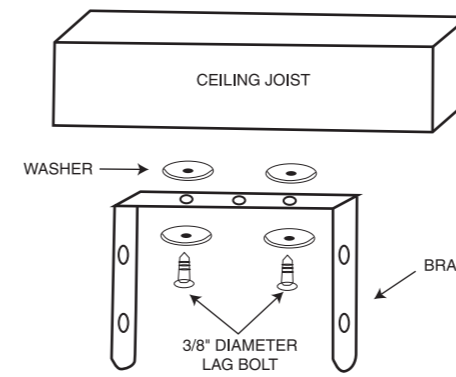
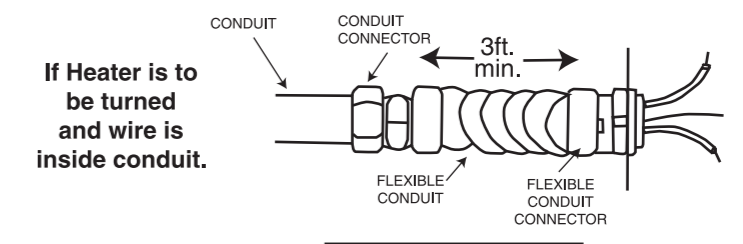
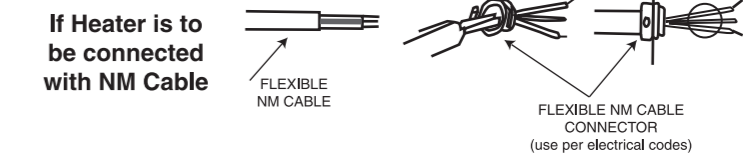


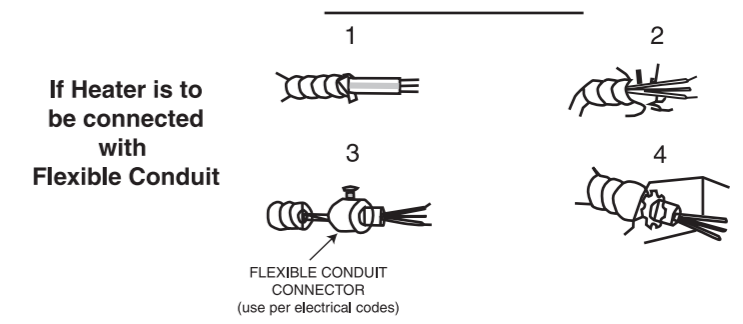
Figure 4b - Double-Screw Mounting



If Heater is to be turned and wire is inside conduit.



If Heater is to be connected with NM Cable



If Heater is to be connected with Flexible Conduit

Figure 6

HANGING THE HEATER

- Attach the heating unit to the mounting bracket.
- Lift the heater up and into the mounting bracket.
- Align the bracket screws with the keyholes slots in the mounting bracket.
- If the heater is to be tilted, It must be positioned in the keyholes slots (see figure 5)
- Tighten the bracket screws with a wrench so the unit is securely suspended horizontal or vertical level.

- Pull the enough properly sized wire through cable connector and connect the wire to the power block located in the base of the heater (see Figure 7).
- Turn on the power at the main service.

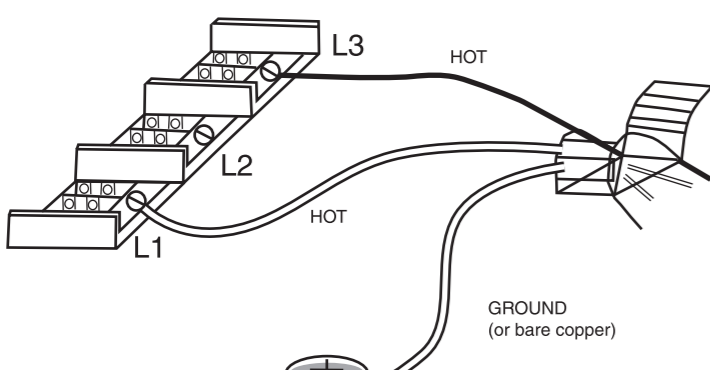


Figure 7

HEATER RATING & VOLTAGE	HEATER AMPS	FUSE SIZE	MIN. WIRE SIZE 75°C COPPER
10,000W @ 240V	41.67	50	#6

OPERATION TEMPERATURE SETTING

- This heater is designed to maintain a comfortable room temperature.
- When the heater is turned on by pressing the power button, it will operate at 10,000 W. The fan will start running about 10 seconds after initial start to push the heat out.
- The temperature setting can be adjusted between 68°F (20°C) to 95°F (35°C). To change the temperature, press the TEMP+ or TEMP- buttons on either the unit or the remote.
- The temperature display will blink while it is being adjusted. When the desired temperature is reached, it will take about 5 seconds to accept the setting. Once the display stops flashing, the room temperature will reappears on the LED screen to indicate the desired temperature is set.
- The heater will cycle on and off to maintain the set temperature.
- Once the unit is turned off, the fan will continue to run to cool down the unit and there will be a 60 seconds countdown on the digital display.

NOTE: The first time you operate the unit, it may smoke slightly. This is due to residual cleaning agents used to clean the element when the heater is manufactured. This is normal and does not indicate a problem with the unit. This condition will stop after the heater has been in operation for a few minutes.

TIMER FUNCTION

The Timer function allows you to set the length of operation from 1 to 12 hours. Each time the timer button is pressed the length of operation will increase 1 hour. The duration the timer is set for will be displayed on the LED screen in hour increments.

TO TURN THE TIMER FUNCTION OFF: Press the timer Button continuously until the LED screen displays "0".

NOTE: The timer function is not an excuse to leave the heater unattended.

FAHRENHEIT OR CELSIUS DISPLAY

- To switch the display between Fahrenheit and Celsius, press the °F/°C on either the unit or the remote.

THERMAL CUTOUT

The heater are equipped with a thermal cutout which will automatically shut off the heater. The heater will turn on when the abnormal temperature returns to normal. Should the unit overheat and cause the thermal cutout to cycle, the cause of the overheating should be determined and corrective action taken before further operation

ADJUSTING AIR FLOW DIRECTION

- Turning the unit** -If the unit has been installed with a single lag bolt, as shown in the figure 4a, simply turn the entire unit as needed to adjust air flow.
- Tilting the unit** -Loosen the bracket screws (see figure 5).
NOTE: To tilt the heater it must be mounted in bottom keyhole slots of mounting brackets to maintain adequate clearance and prevent possible overheating.
- Adjusting the louvers to the desired position.
NOTE: The louvers are designed so they can't be completely closed. Do not attempt to defeat this feature, damage to the unit can result.

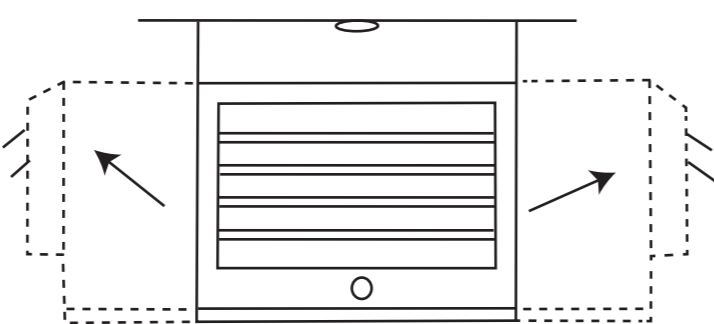


Figure 8

SAFETY INSTRUCTIONS:

- This heater is hot when in use. To avoid burns, do not let bare skin touch hot surfaces. If provided, use handles when moving this heater. Keep combustible materials, such as furniture, pillows, bedding, papers, clothes, and curtains at least 3 feet (0.9 m) from the front of the heater and keep them away from the sides and rear.
- This heater is not intended for use in bathrooms, laundry areas and similar indoor locations. Never locate heater where it may fall into a bathtub or other water container.
- This heater is designed to be directly wired to 240 volt electric power. Never use with an extension cord or relocatable power tap (outlet/power strip).

MAINTENANCE

Because of its rugged design, superior engineering, and high quality craftsmanship, the heater requires little maintenance. With proper care, your electric heater should last a lifetime, but seasonal cleaning is recommended to maintain the efficiency of the heater.

CLEANING THE HEATING ELEMENT

WARNING
To prevent possible electric shock, all power must be shut off at the main service before inspecting or cleaning.

To clean the heating element, loosen (but do not remove) the four Phillips head screws located behind the louvers in the corners of the louver housing on both sides, lift up, and pull out (see Figure 10). This provides access to the heating element. Remove dust or lint with a soft brush or a vacuum cleaner. Replace the louver housing and tighten the Phillips head screws.

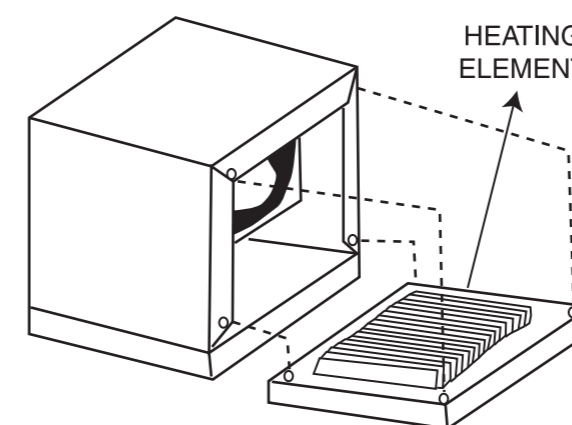


Figure 10

WARNING

Use care to prevent damage to internal heater wiring when cleaning element. make sure all connections remain tight and all wiring is routed away from element fins when reassembling the unit. Allowing wiring to touch the element fins could result in a fire hazard.

CLEANING THE FAN AND MOTOR

WARNING
To prevent possible electric shock, all power must be shut off at the main service before inspecting or cleaning.

Remove the protective grill from the rear of the heater. This provides access to the fan and motor. Wipe off the fan and the motor with a soft cloth or brush. The fan motor does not require lubrication. Replace protective grille (see Figure 11).

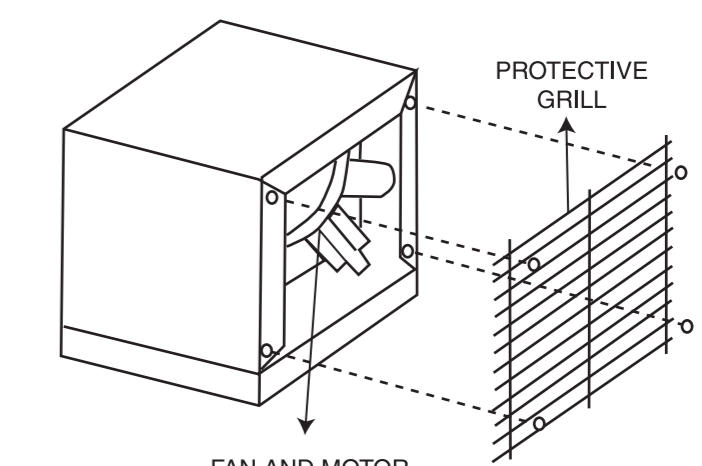


Figure 11

LIMITED WARRANTY

This unit is guaranteed to the original retail purchaser against defects in quality or workmanship for a period of one year from the date of original purchase. If this unit fails because of a manufacturing defect within 30 days of purchase, return the unit, with your receipt, to the retailer. After 30 days, but within the warranty period, if the unit was purchased within the continental United States, return it, freight prepaid, to World and Main for repair or replacement. If the unit was purchased outside the continental United States, return the unit to the place of purchase. This warranty does not cover damage caused by misuse, abuse, overheating or alteration. Repairs made by anyone other than World and Main are not covered in this warranty. World and Main will not be held liable for any losses due to neglectful operation. All implied warranties, including the warranties of merchantability and of fitness of purpose, if applicable, are hereby limited in duration to the period of one year from the date of original retail purchase. Some states do not allow limitations on how long an implied warranty lasts, so the above limitations may not apply to you. Incidental or consequential damages arising from a breach of either express or implied warranties are hereby disclaimed and excluded. Some states do not allow the exclusion of limitation of incidental or consequential damages, so this limitation or exclusion may not apply to you. Upon the expiration of this warranty all such liability will terminate. No other warranties are expressed or implied.

This warranty gives you specific legal rights, and you may also have other rights which vary from state to state. No informal dispute settlement mechanisms are available. This limited warranty is given in lieu of all other warranties.

Manufactured for:
World and Main (Cranbury), LLC
324A Half Acre Rd.
Cranbury, NJ 08512 USA
800-221-6895
www.comfortzoneproducts.com