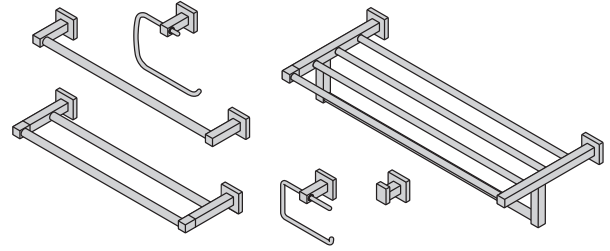




363DTB-18, 363DTB-24, 363RH, 363TB-18,  
 363TB-24, 363TP, 363TR, 363TS-22, 363-SD2  
 Duro™ Accessories



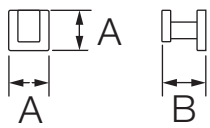
**Operation & Maintenance Manual**

| Model Numbers  | Specifications  |
|--|---|
| <input type="checkbox"/> <b>363DTB-18</b> <i>18" Double Towel Bar</i>  | <p>All premium accessories made from brass plated in standard polished chrome finish.</p> <hr/> <p><b>Compliance</b></p> <p><u>For California Residents</u><br/> <b>WARNING:</b> This product contains chemicals known to the State of California to cause cancer, birth defects, or other reproductive harm.</p> |
| <input type="checkbox"/> <b>363DTB-24</b> <i>24" Double Towel Bar</i>  |   |
| <input type="checkbox"/> <b>363RH</b> <i>Robe Hook</i>   |   |
| <input type="checkbox"/> <b>363TB-18</b> <i>18" Towel Bar</i>  |   |
| <input type="checkbox"/> <b>363TB-24</b> <i>24" Towel Bar</i>  |   |
| <input type="checkbox"/> <b>363TP</b> <i>Toilet Paper Holder</i>   |   |
| <input type="checkbox"/> <b>363TR</b> <i>Towel Ring</i>  |   |
| <input type="checkbox"/> <b>363TS-22</b> <i>Towel Shelf with Bar</i><br><br><input type="checkbox"/> <b>363-SD2</b> <i>Soap Basket</i> |   |
| Modifications  | Warranty  |
| <input type="checkbox"/> <b>-STN</b> <i>Satin nickel finish</i>  | <p><b>Limited Lifetime</b> - to the original end purchaser in consumer installations.<br/> <b>5 Years</b> - for commercial installations.</p> <p>Refer to <a href="http://www.symmons.com/warranty">www.symmons.com/warranty</a> for complete warranty information.</p>   |

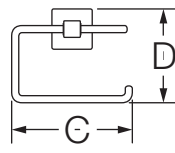
**Note:** Append appropriate -suffix to model number.

## Dimensions

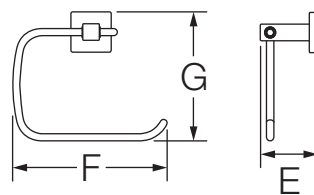
### 363RH



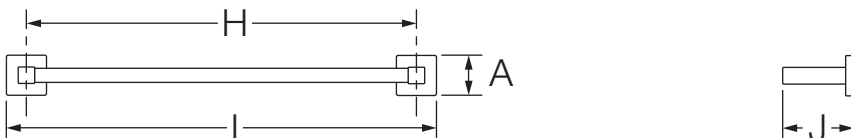
### 363TP



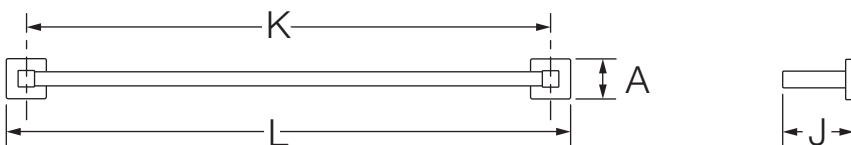
### 363TR



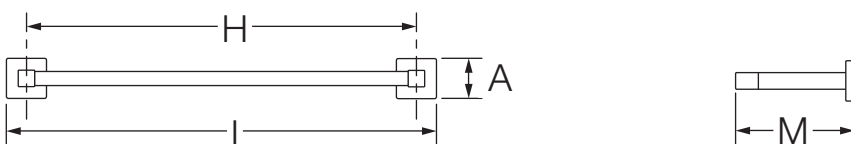
### 363TB-18



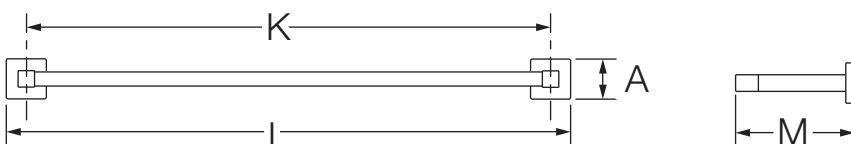
### 363TB-24



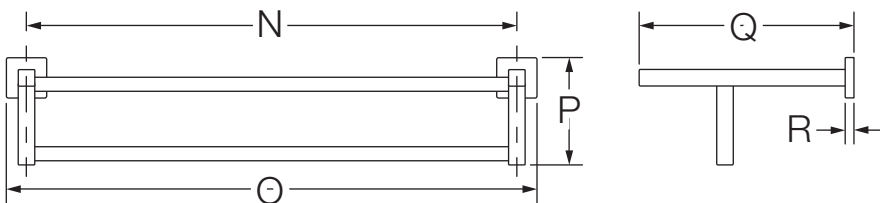
### 363DTB-18



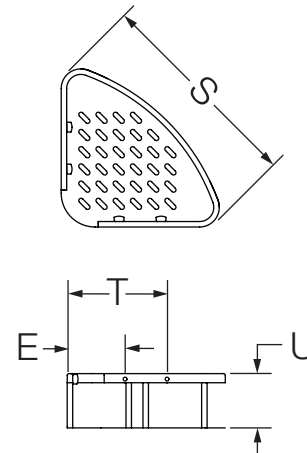
### 363DTB-24



### 363TS-22



### 363-SD2



| Measurements |                   |
|--------------|-------------------|
| A            | 1 13/16", 46 mm   |
| B            | 2", 51 mm         |
| C            | 5 3/8", 137 mm    |
| D            | 4 1/8", 105 mm    |
| E            | 2 1/2", 64 mm     |
| F            | 6 7/8", 175 mm    |
| G            | 5 3/4", 146 mm    |
| H            | 18", 457 mm       |
| I            | 19 13/16", 503 mm |
| J            | 3 1/4", 82 mm     |
| K            | 24", 610 mm       |
| L            | 25 13/16", 656 mm |
| M            | 5 3/8", 136 mm    |
| N            | 22", 559 mm       |
| O            | 23 13/16", 605 mm |
| P            | 4 3/4", 121 mm    |
| Q            | 9 5/8", 244 mm    |
| R            | 3/8", 10 mm       |
| S            | 9", 228 mm        |
| T            | 4 1/4", 108 mm    |
| U            | 2 3/8", 60 mm     |

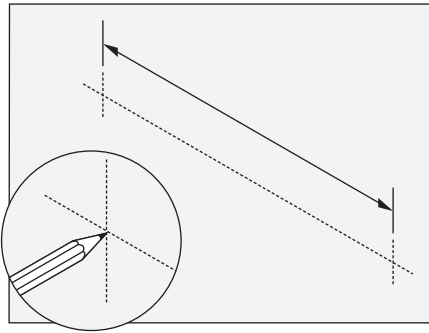
  

| Replacement Parts     |             |
|-----------------------|-------------|
| Description           | Part Number |
| Mounting Hardware Kit | RA-017      |

**Note:** Dimensions are subject to change without notice.

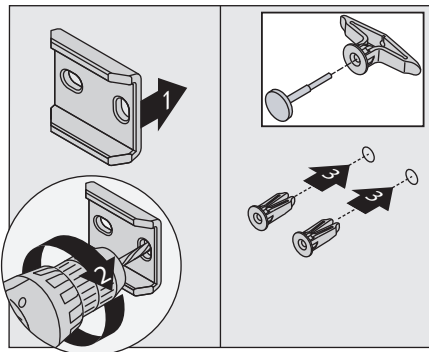
## Installation

- 1) Measure and mark centerlines for mounting bracket installation using dimensions on page 2.



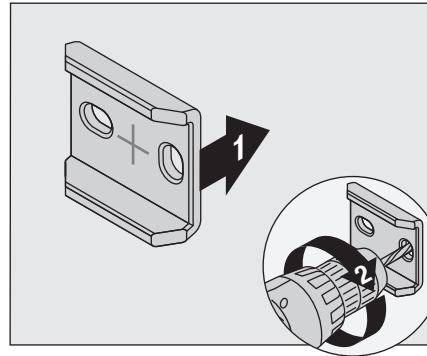
**Notes:** 363DTB-18, 363DTB-24, 363TB-18, 363TB-24, 363TS-22 only. Make sure both centerline marks are level.

- 2a) **Dry Wall Option:** Place mounting brackets into desired position. Using brackets as a guide, carefully drill 5/16" holes into wall. Remove brackets and install anchors.

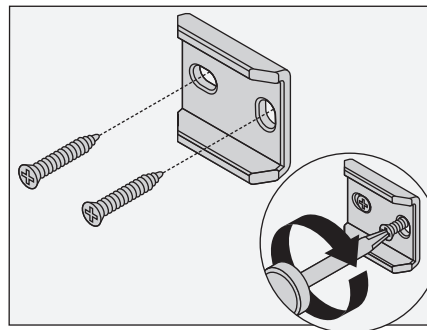


**Note:** For plaster walls 1/2" thick or less, insert toggle tool into toggle to secure behind wall prior to installing accessory trim.

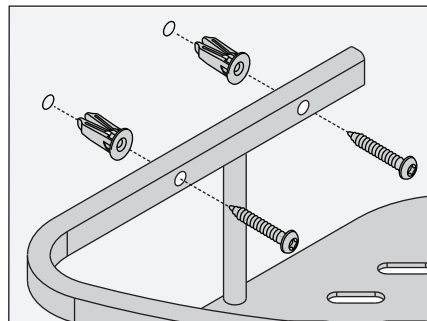
- 2b) **Stud Option:** Center bracket on centerline. Using brackets as a guide, carefully drill 3/16" holes into wall.



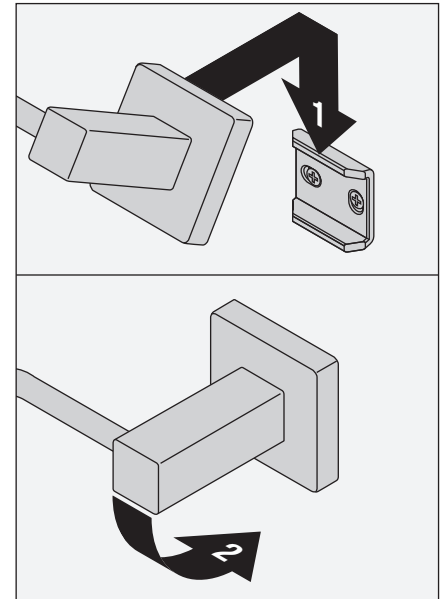
- 3) With mounting brackets in position, secure to wall using screws.



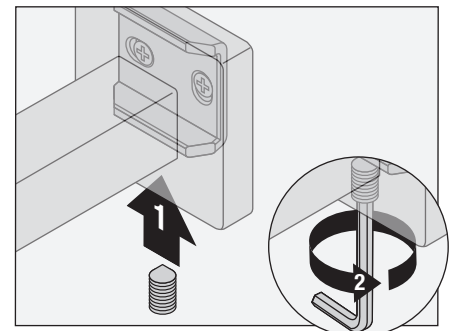
- 363-SD2 Only:** Carefully drill 5/16" holes into wall and install anchors. Secure to wall using screws.



- 4) Hang top of accessory on mounting bracket. Lower into position.



- 5) Secure with set screw.



## Care and Cleaning

- 1) Clean finished trim area with a soft cloth using mild soap and water or a non-abrasive cleaner and then quickly rinse with water.