

The image shows a brown composite fence with vertical slats. In the foreground, there is a swimming pool with a blue and white mosaic tile border. To the right of the pool, there are two wooden lounge chairs with orange cushions and white towels. A large potted evergreen tree is on the left side of the fence. The background shows more greenery and a clear sky.

Trex[®] Seclusions[®]
COMPOSITE FENCING SYSTEM

Installation Guide: Fence

www.TrexFencing.com

For Questions, Contact Trex Fencing Technical Support. Phone: 877-700-8739 Email: Info@TrexFencing.com

Do not return product before contacting Trex Fencing for instructions: 877-700-8739

Installation Assistance

Professional installation support is just a phone call or email away: 1-877-700-8739 or Info@TrexFencing.com.

Trex® Seclusions® Fence Colors

Saddle

Woodland Brown

Winchester Grey*

*When it is new, Winchester Grey looks similar to Woodland Brown. As it weathers shortly after installation, it will lighten to a grey color.

Care & Cleaning Guide

Dirt and Debris	Clean fence to remove dirt and debris. Soap, hot water and a soft brush are all that is needed.
Chalk Markings	Most colored chalk lines are permanent. For Trex® use either baby powder or Irwin Strait-Line dust-off marking chalk available at:www.irwin.com
Water Spots, Leaf Staining and Wood Tannins	Tannin leaching occurs in Trex® and all wood based products naturally. Allow for at least 12 weeks of normal weathering. This process may be hastened through the use of a product containing oxalic or phosphoric acid commonly known as Deck Brightener. *
Scuffs & Abrasions	Scuffs and abrasions can fade or disappear naturally after 12-16 weeks of weathering. If a reduction in the visibility of a scuff or abrasion as the fence weathers, WD-40 can be applied to the affected area for a temporary solution. To accelerate fading, a product containing oxalic or phosphoric acid, also known as Deck Brightener. *
Rust Stains, Ground-In Dirt and Grime and Pigment Staining	Use a cleaning product containing oxalic or phosphoric acid base, also known as Deck Brightener to lighten or remove the rust or dirt. Product may need to sit on stain 10-15 minutes before rinsing. *
Oil and Grease Stains	Rinse the stain with hot water as soon as possible. Use Pour-N-Restore (www.pour-n-restore.com) as directed for any remaining stain (test in a small area first as this may remove some of the colorant from the fencing surface).
Mold & Mildew	Semi-annual (Spring and Fall) cleaning of your fence is important to prevent the build-up of pollen and other debris that can support the growth of mold. Use conventional fence washes or cleaners that contain sodium hypochlorite (bleach) and detergent (refer to the Mold Technical Bulletin for specific recommendations). *
Pressure Washer	Trex Company does not recommend the use of a pressure washer. The use of a pressure washer with a greater than 1,500 PSI and/or applied closer than 12" from the fence surface could damage the fencing surface and result in a loss of warranty coverage .
Sanding	Trex Company does not recommend sanding. Sanding will change the appearance of the surface of Trex® material and will void the warranty .
Disposal	Trex® products should be disposed with normal construction debris or household waste. Do not burn Trex® products.

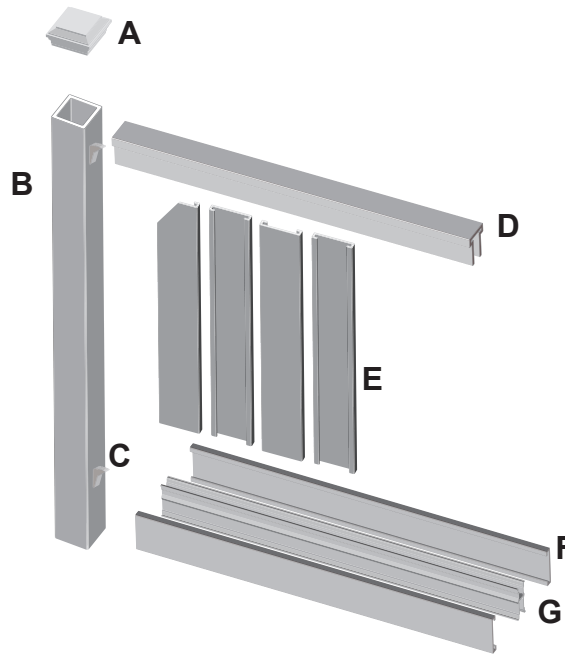
* Use of products containing bleach or acid will lighten the surface of Trex®. Use in an inconspicuous area to determine if lightening is esthetically unpleasing to you. Neither product will affect the structural integrity of Trex® composite fencing.

TREX SECLUSIONS® INSTALLATION GUIDE

TOOLS NEEDED

- Stakes
- String line
- Tape measure
- 12" Miter Saw (Recommended)
- Circular Saw
- Speed square
- Shovel or post hole digger
- 4 ft Level
- Drill
- Hammer
- Wheel Barrow
- Spray Paint
- Pencil
- 2" Finish Nails / Nail Gun or Composite Screws

ITEMS USED PER SECTION (6' Tall)



- A** 1 Post Cap
- B** 1 Post
- C** 4 Brackets
- D** 1 Top Rail
- E** 13 Pickets for 6' long Kit
19 Pickets for 8' long Kit
- F** 2 Bottom Rail Covers
- G** 1 Aluminum Bottom Rail

BEFORE YOU BEGIN

- >> Confirm location of underground utilities with local providers before you dig.
- >> Check local zoning laws, which may regulate the size and placement of your fence.
- >> Apply for local permit as directed by local code.
- >> Wear proper safety protection for eyes and ears.

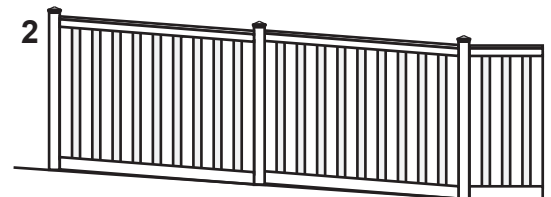
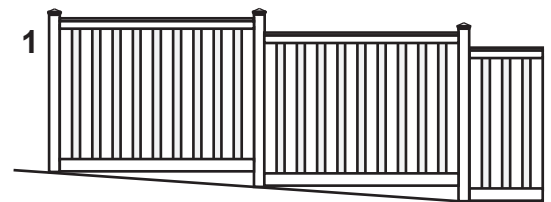
STEP 1: DETERMINE INSTALL METHOD FOR UNEVEN TERRAIN

A For uneven terrain, determine which method you will use to install your panels:

1 STEP METHOD: This fence gradually “steps” up the slope so that each section is the same length and the rails remain level. You will need to fill in the gap below the fence with soil. The downhill post will need to be set taller to allow attachment of the upper rail. Taller posts may be required. When laying out fence (STEP 2) spacing between posts must be measured horizontally and not parallel to the ground.

2 SLOPING METHOD: This fence follows the grade or slope with the rails parallel to the ground. Taller posts are not required but the horizontal post spacing may need to be reduced to avoid rails being too short. Miter cut rails to fit grade. On extreme slopes pickets may require cutting.

3 TRANSITION: A fence can be easily transitioned to a different height. Horizontal post spacing will need to be reduced (see fig.3 in STEP 2) and top rail will need to be miter cut. Pickets will require cutting.



TREX SECLUSIONS® INSTALLATION GUIDE

STEP 2: LAY OUT FENCE LINE

- A** Mark location of all end and corner posts using spray paint. Place stakes and string lines so that the string runs along the outside edge of these posts.
- B** Determine the location and size of each gate and mark the location of gate post centers (see fig. 2 for proper spacing).
- C** Mark the locations of the remaining post centers by measuring 67 1/2" (for 6' long kits) or 96" (for 8' long kits) from the marks made in steps A and B. This may leave a short section at the end. If ground is sloping, or fence transitions to a different height, the posts may need to be spaced closer together (see fig.3 for proper spacing).

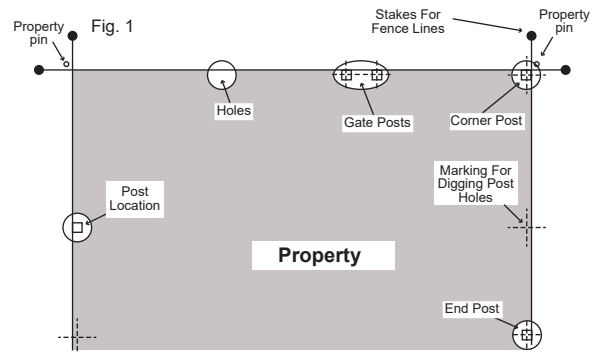
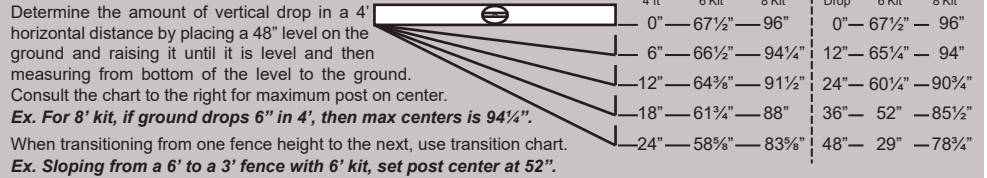


Fig. 2

Gate Post Spacing	Panel Size	Opening Between Posts	Gate Posts on Center	
WG a a l t k e	Standard Panel	44-3/8"	46-1/4"	51-1/4"
	Large Panel	63-7/8"	65-3/4"	70-3/4"
D O G u b l e	2 Standard Panels	44-3/8"	91-1/2"	96-1/2"
	2 Large Panels	63-7/8"	130-1/2"	135-1/2"
	1 Standard & 1 Large Panel		111"	116"

Fig. 3



ADVANCED TIPS AND TRICKS:

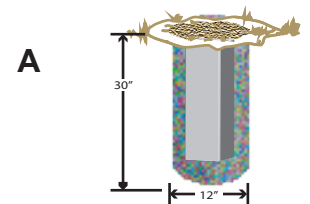
For uniform post spacing, mark the location of the remaining posts in step C by measuring the distance (in inches) between the marks made in steps A and B. Divide these measurements by 67 1/2" (for 6' long kits) or 96" (for 8' long kits) and round up to determine the number of sections. Now divide the distance between the marks by this number (number of sections), this will be the distance between the posts.

Ex. For a 69' fence line on flat terrain using an 8' kit: $69 \times 12 = 828'' / 96'' = 8.625$ Now round up = 9 sections. Now $828'' / 9 = 92''$ on center.

6' kit: $69 \times 12 = 828'' / 67.5 = 12.27$ Now round up = 13 sections. Now $828'' / 13 = 63 5/8''$ o.c.

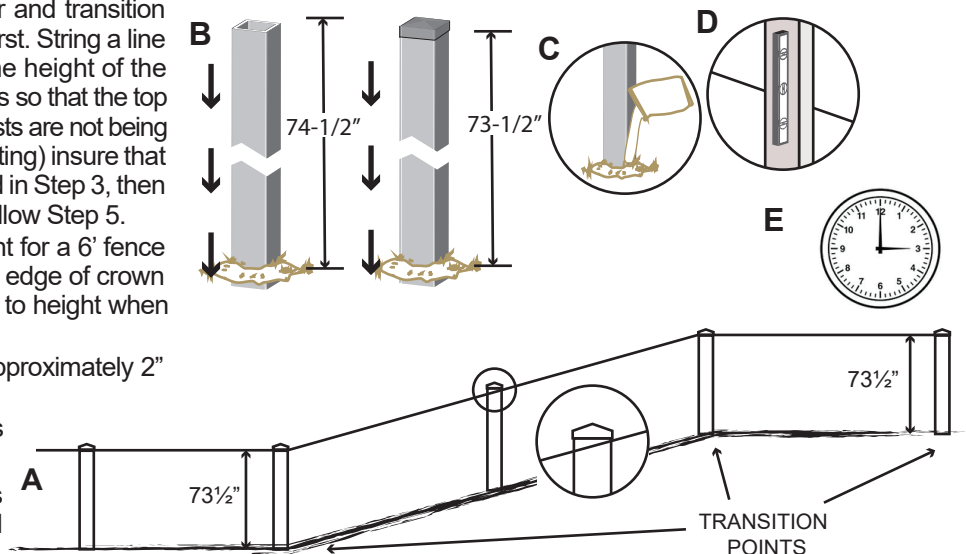
STEP 3: DIG HOLES

- A** Dig holes for posts making sure not to disturb the stakes. Holes should be 12" in diameter and 30" deep (or as required per local codes or conditions). Holes should be dug so that they allow for equal amounts of concrete on all sides of posts.



STEP 4: SET POSTS TO HEIGHT

- A** If setting posts to height, set all end, corner and transition posts (posts where ground changes slope) first. String a line from the top of these posts to determine the height of the remaining posts. Now, set the remaining posts so that the top of these posts align with this string. Note: If posts are not being set to exact height (i.e., cut to height after setting) insure that posts are set to the proper depth as indicated in Step 3, then string for height after all posts are set and follow Step 5.
- B** Insert post into hole. Typical finish post height for a 6' fence is 74-1/2" to top of post or 73-1/2" to bottom edge of crown cap (if using 8' posts, the post will be raised to height when adding the concrete).
- C** Fill hole around post with concrete mix to approximately 2" below grade.
- D** Level and plumb posts making sure post is next to string but not touching.
- E** Allow concrete to set as per manufacturer's instructions before installing the rails and pickets.

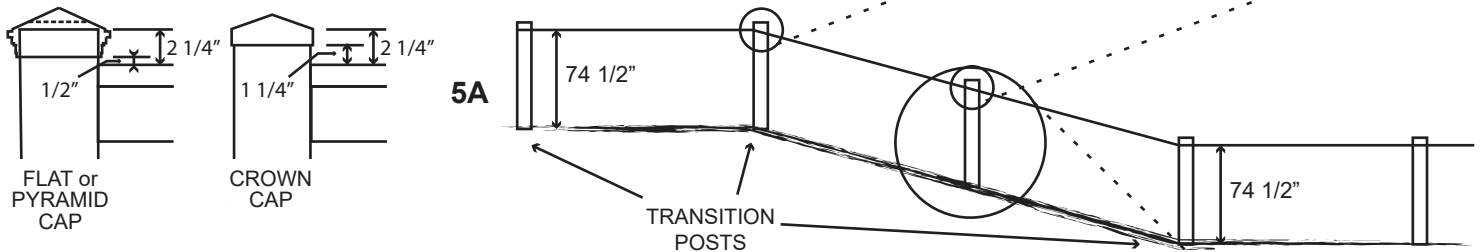


TREX SECLUSIONS® INSTALLATION GUIDE

STEP 5: CUT POSTS TO HEIGHT

Skip to Step 6 if posts have been set to height

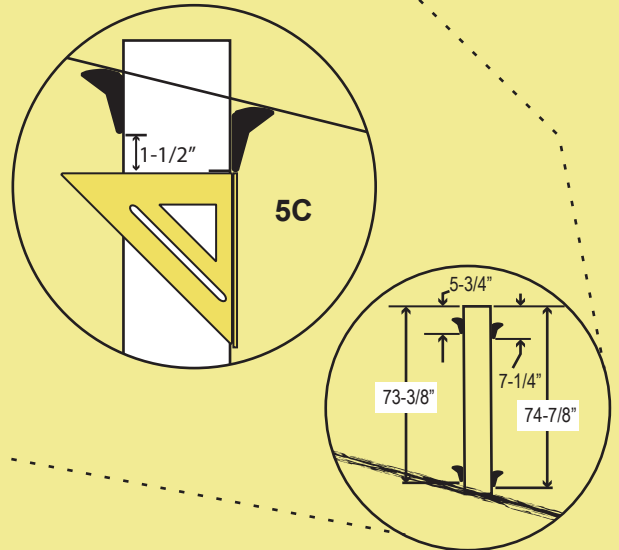
- A** Locate transition posts (posts where ground changes slope) and string lines 74-1/2" above ground. This will create a reveal as shown below. Adjust your height if desired.
- B** Using a pencil and a speed square, draw a line where the string line crosses the uphill side of the post. Transfer this line around all four sides of the post using your speed square. Cut post to height using a circular saw.



ADVANCED TIPS AND TRICKS:

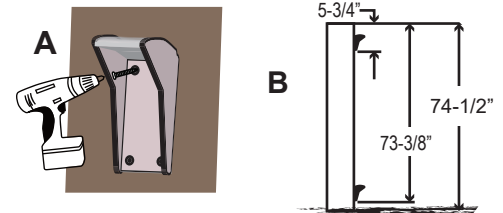
- 5C** To keep rails flowing smoothly on a slope, while string line is still up, determine bracket slope adjustment (if any) by holding a bracket on the uphill side of post so that the bracket touches the string line. Make a small pencil mark at the bottom of the bracket. Now hold a bracket on the downhill side of post, once again just touching the string line, and make a small pencil mark. Using a speed square, note the amount of vertical drop between the two marks. This measurement should be added to the measurements used for mounting the top and bottom rail brackets in STEP 6B.

Ex. If the drop measured above is 1-1/2", then add 1-1/2" to the measurements for the brackets on downhill side of the post. The upper bracket would be 5-3/4" plus 1-1/2" = 7-1/4". The bottom bracket would be 73-3/8" plus 1-1/2" = 74-7/8".



STEP 6: ATTACH RAIL BRACKETS

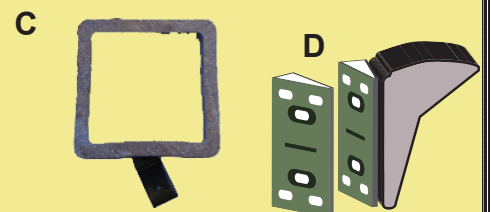
- A** Using (4) 1-5/8" fence screws, attach the rail brackets to the post as follows:
- B** Measure down from the top of the post 5-3/4" (or 4-3/4" from the bottom of the crown cap). This will mark the bottom of the upper bracket. Measure down from the top of the post 73-3/8" (72-3/8" from the crown cap). This marks the bottom of the bottom bracket. If fence is on a slope, adjust bracket placement as indicated in Step 5C. Bracket should be centered on the post.



ADVANCED TIPS AND TRICKS:

- 6C** If the fence will run on an angle to the post, use rail bracket adapters to adjust the bracket angle. Each bracket provides 22.5 degrees of adjustment. Mount the adapter with two screws through the center holes into the post and then run your 4 screws through the outer holes of both the bracket and the adapter into the post.

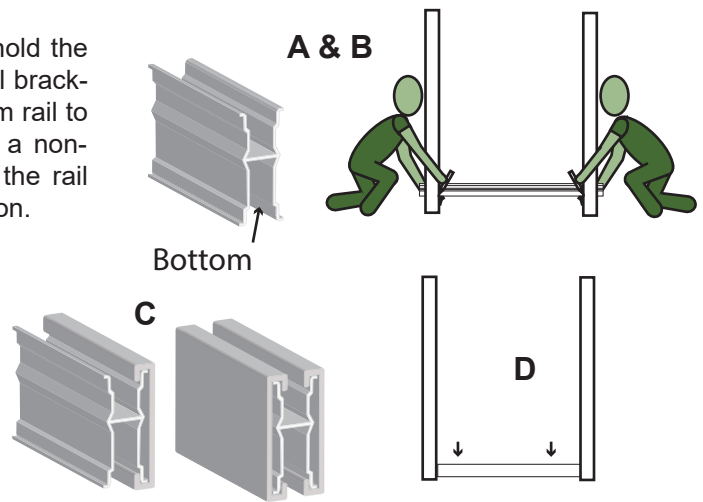
- 6D** More than one adapter can be used if necessary.



TREX SECLUSIONS® INSTALLATION GUIDE

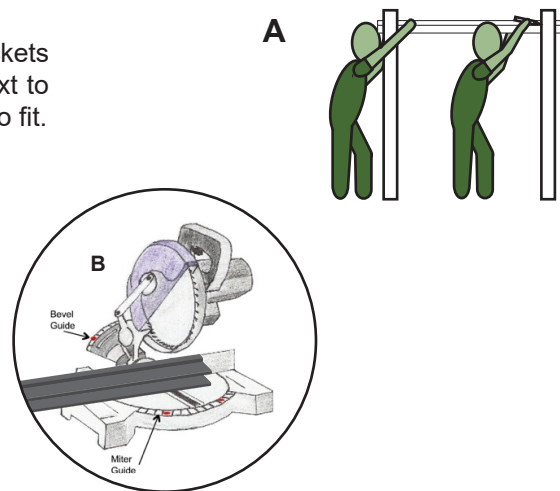
STEP 7: CUT & INSTALL BOTTOM RAILS

- A** Measure between the post or for a more accurate cut, hold the aluminum bottom rail next to the posts in line with the rail brackets, with the deeper pocket facing down. Mark the bottom rail to transfer angles to ensure accurate cuts. Cut the rail using a non-ferrous metal cutting blade (Wear Eye Protection). Cut the rail 1/2" smaller to avoid scratching the posts during installation.
- B** Repeat the procedure with two bottom rail covers (face them in opposite directions), but do not cut them shorter so you can maintain a tight fit. Cut the rail covers using a circular saw or miter saw.
- C** Slide the bottom rail covers over the bottom rail.
- D** Slide the assembled rail over the bottom rail brackets.



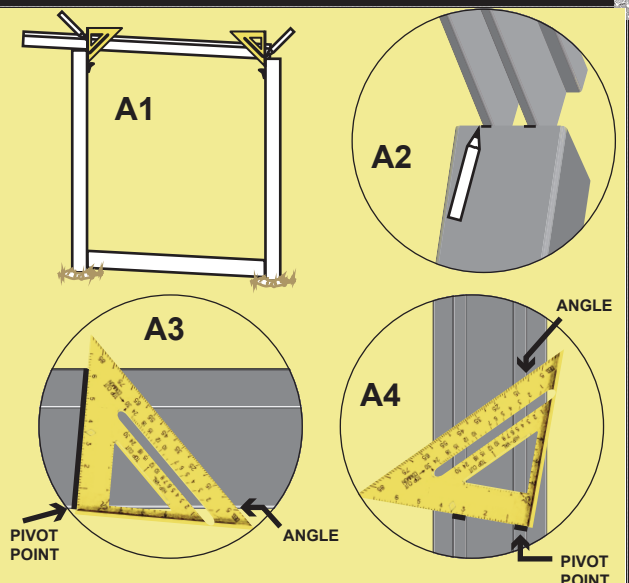
STEP 8: CUT TOP RAIL

- A** It is easier to measure and mark your top rail before the pickets are in place. Measure between posts or hold your rail next to the post in line with the top rail brackets and mark the rail to fit.
- B** Place the rail on your miter saw with the top side against the fence. Line the blade up with your marks and cut the rail. Repeat the process with the other end (If using a circular saw, transfer mark around top cap before cutting).
- C** Test fit the top rail on the brackets. Leave in place while cutting and fitting top rails for the remaining sections to ensure everything fits properly.
- D** Remove the top rails and set aside until after the pickets are in place.



ADVANCED TIPS AND TRICKS:

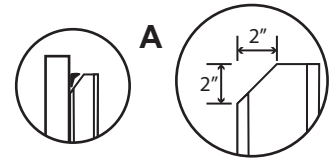
- A1** When dealing with a slope or complex angle, set your top rail on top of your posts. Hold your speed square against the post and mark the rail. Repeat on the other post.
- A2** For a complex angle, mark the rail underneath where it crosses the post. Repeat on the other post.
- A3** Determine the miter angle by laying your speed square on the side of the top rail in line with your mark. Make sure the pivot point touches the bottom edge of the rail. Read the angle by noting where the bottom edge of the rail crosses the gauge. Set the miter angle of your compound saw to this angle.
- A4** Determine the bevel angle by laying your speed square on the bottom of the rail in line with your mark. Make sure the pivot point touches the edge of the rail. Read the angle by noting where the edge of the rail crosses the gauge. Set the bevel angle of your compound saw to this angle.



TREX SECLUSIONS® INSTALLATION GUIDE

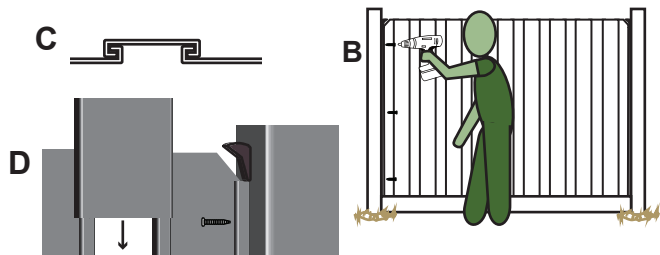
STEP 9: INSTALL PICKETS

- A** Notch the first picket in each section at a 45 degree angle, measuring 2" each direction. This will keep the picket from interfering with the bracket. Do not notch the last picket until you know which direction it will face. If the posts are set at the max width on center, the first and last picket will face the same direction. For shorter sections, the first and last pickets may face in opposite directions.



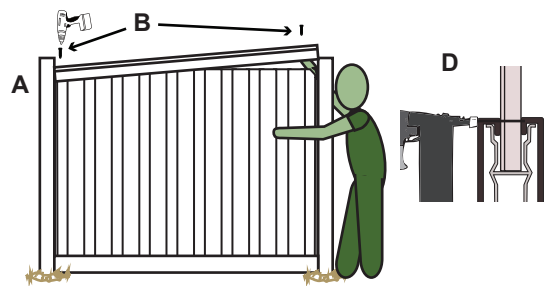
Note: *With composite materials, you may notice some color variation. To minimize the effects of any possible color variation, take special care when installing pickets to group pickets of similar colors within a section.*

- B** Insert the first picket into the bottom rail, and secure it to the post using (3) 1-5/8" screws.
- C** Insert pickets into the bottom rail, alternating their orientation so that they interconnect.
- D** Notch the last picket and secure it to the post. It may be easier to remove the second to last picket and reinsert it by sliding it down from above after the last picket has been secured to the post.



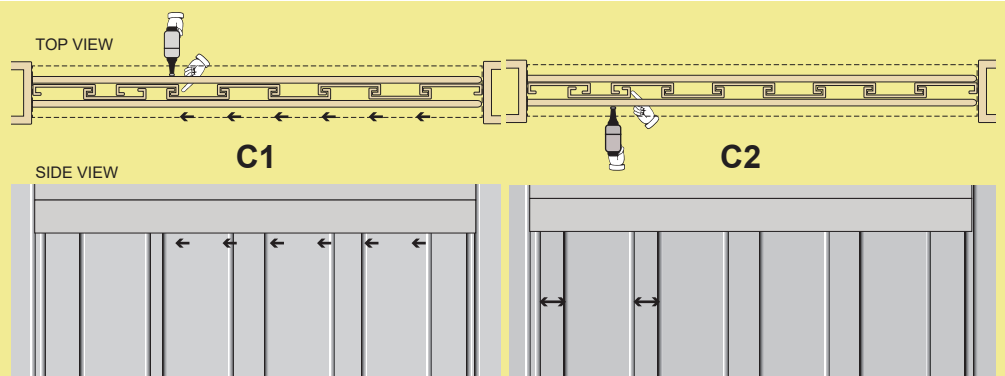
STEP 10: INSTALL TOP RAIL

- A** Replace the top rail you set aside in STEP 8 by setting the top rail over one bracket and gradually lower over the pickets while wiggling the pickets so that they will slide inside the top rail as you lower it.
- B** Secure the rail to the brackets using (2) 1-5/8" fence screws through the top of the top rail.
- C** Use a finish nail or a composite screw through the side of the top rail into pickets to prevent picket movement.
- D** If needed, use a finish nail or a composite screw through the bottom rail cover into pickets to secure. Shoot the nail through the top 1/4" of the bottom rail cover to miss the metal bottom rail (or pre-drill through aluminum if using a composite screw).



ADVANCED TIPS AND TRICKS:

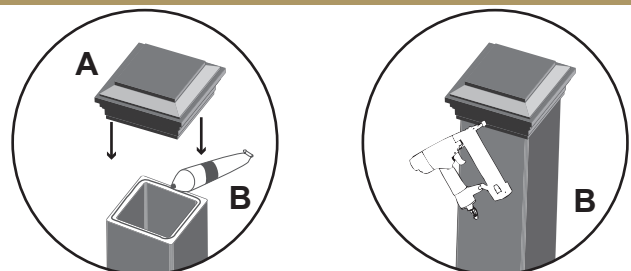
- C1** If all the pickets are not tightly interlocked, the most efficient way to secure the pickets is to pull all but the last two pickets as tight as possible and secure the third to last picket through the top and bottom rails with a finish nail or a composite screw.
- C2** Evenly space the loose picket and secure through the top and bottom rails with the finish nail or composite screw.



Note: *Instead of a finish nail or composite screw, a 1- 1/4" exter. wood screw can be used before top rail is replaced.*

STEP 11: INSTALL POST CAPS

- A** Place post caps onto the posts (if not already attached).
- B** Caps may be secured using adhesive or a finish nail.



For drawings, technical specifications, and other architectural information, please refer to our website:

trexfencing.com/trade-resources/technical-center/

Be sure to research local codes and other requirements for your area prior to installing your fence. An installation preparation checklist is available on our website:

trexfencing.com/start-project/plan-your-fence/fence-project-preparation-checklist/

Electronic copies of this guide and guides for gate installations are located on our website:

trexfencing.com/installation/

The logo for Trex Seclusions Composite Fencing System is displayed within a dark green rectangular background. The word "Trex" is in a bold, white, sans-serif font with a registered trademark symbol (®) to its upper right. The word "Seclusions" is in a larger, white, serif font, also with a registered trademark symbol (®) to its upper right. Below "Seclusions", the words "COMPOSITE FENCING SYSTEM" are written in a smaller, white, all-caps, sans-serif font.

Trex[®] Seclusions[®]
COMPOSITE FENCING SYSTEM

Designed for Beauty. Formulated for Quality. Engineered for Durability.

Trex Fencing

Phone: 877-700-8739 Email: Info@TrexFencing.com