

OPERATOR'S MANUAL

Snow Thrower

**2-Stage and 3-Stage
(600 and 500 Series)**

Table of Contents

<i>Safe Operation Practices</i>	2	<i>Service</i>	20
<i>Assembly & Set-Up</i>	5	<i>Troubleshooting</i>	24
<i>Controls & Operation</i>	16	<i>Parts/Warranty</i>	<i>See Separate Supplement</i>

WARNING

**READ AND FOLLOW ALL SAFETY RULES AND INSTRUCTIONS IN THIS MANUAL
BEFORE ATTEMPTING TO OPERATE THIS MACHINE.
FAILURE TO COMPLY WITH THESE INSTRUCTIONS MAY RESULT IN PERSONAL INJURY.**

NOTE: This Operator's Manual covers several models. Features may vary by model. Not all features in this manual are applicable to all models and the model depicted may differ from yours.



WARNING! This symbol points out important safety instructions which, if not followed, could endanger the personal safety and/or property of yourself and others. Read and follow all instructions in this manual before attempting to operate this machine. Failure to comply with these instructions may result in personal injury. When you see this symbol. **HEED ITS WARNING!**

CALIFORNIA PROPOSITION 65



WARNING! Engine Exhaust, some of its constituents, and certain vehicle components contain or emit chemicals known to State of California to cause cancer and birth defects or other reproductive harm.



DANGER: This machine was built to be operated according to the safe operation practices in this manual. As with any type of power equipment, carelessness or error on the part of the operator can result in serious injury. This machine is capable of amputating fingers, hands, toes and feet and throwing foreign objects. Failure to observe the following safety instructions could result in serious injury or death.

Training

1. Read, understand, and follow all instructions on the machine and in the manual(s) before attempting to assemble and operate. Keep this manual in a safe place for future and regular reference and for ordering replacement parts.
2. Be familiar with all controls and their proper operation. Know how to stop the machine and disengage them quickly.
3. Never allow children under 14 years of age to operate this machine. Children 14 and over should read and understand the instructions and safe operation practices in this manual and on the machine and be trained and supervised by an adult.
4. Never allow adults to operate this machine without proper instruction.
5. Thrown objects can cause serious personal injury. Plan your snow-throwing pattern to avoid discharge of material toward roads, bystanders and the like.
6. Keep bystanders, pets and children at least 75 feet from the machine while it is in operation. Stop machine if anyone enters the area.
7. Exercise caution to avoid slipping or falling, especially when operating in reverse.

Preparation

Thoroughly inspect the area where the equipment is to be used. Remove all doormats, newspapers, sleds, boards, wires and other foreign objects, which could be tripped over or thrown by the auger.

1. Always wear safety glasses or eye shields during operation and while performing an adjustment or repair to protect your eyes. Thrown objects which ricochet can cause serious injury to the eyes.
2. Do not operate without wearing adequate winter outer garments. Do not wear jewelry, long scarves or other loose clothing, which could become entangled in moving parts. Wear footwear which will improve footing on slippery surfaces.
3. Use a grounded three-wire extension cord and receptacle for all machines with electric start engines.
4. Adjust auger housing height to clear gravel or crushed rock surfaces.
5. Disengage all control levers before starting the engine.
6. Never attempt to make any adjustments while engine is running, except where specifically recommended in the operator's manual.
7. Let engine and machine adjust to outdoor temperature before starting to clear snow.

Safe Handling of Gasoline

To avoid personal injury or property damage use extreme care in handling gasoline. Gasoline is extremely flammable and the vapors are explosive. Serious personal injury can occur when gasoline is spilled on yourself or your clothes which can ignite. Wash your skin and change clothes immediately.

1. Use only an approved gasoline container.
2. Extinguish all cigarettes, cigars, pipes and other sources of ignition.
3. Never fuel machine indoors.
4. Never remove gas cap or add fuel while the engine is hot or running.
5. Allow engine to cool at least two minutes before refueling.
6. Never over fill fuel tank. Fill tank to no more than ½ inch below bottom of filler neck to provide space for fuel expansion.
7. Replace gasoline cap and tighten securely.
8. If gasoline is spilled, wipe it off the engine and equipment. Move machine to another area. Wait 5 minutes before starting the engine.
9. Never store the machine or fuel container inside where there is an open flame, spark or pilot light (e.g. furnace, water heater, space heater, clothes dryer etc.).
10. Allow machine to cool at least 5 minutes before storing.
11. Never fill containers inside a vehicle or on a truck or trailer bed with a plastic liner. Always place containers on the ground away from your vehicle before filling.
12. If possible, remove gas-powered equipment from the truck or trailer and refuel it on the ground. If this is not possible, then refuel such equipment on a trailer with a portable container, rather than from a gasoline dispenser nozzle.
13. Keep the nozzle in contact with the rim of the fuel tank or container opening at all times until fueling is complete. Do not use a nozzle lock-open device.

Operation

1. Do not put hands or feet near rotating parts, in the auger housing or chute assembly. Contact with the rotating parts can amputate hands and feet.
2. The auger control lever is a safety device. Never bypass its operation. Doing so makes the machine unsafe and may cause personal injury.
3. The control levers must operate easily in both directions and automatically return to the disengaged position when released.
4. Never operate with a missing or damaged chute assembly. Keep all safety devices in place and working.

5. Never run an engine indoors or in a poorly ventilated area. Engine exhaust contains carbon monoxide, an odorless and deadly gas.
6. Do not operate machine while under the influence of alcohol or drugs.
7. Muffler and engine become hot and can cause a burn. Do not touch. Keep children away.
8. Exercise extreme caution when operating on or crossing gravel surfaces. Stay alert for hidden hazards or traffic.
9. Exercise caution when changing direction and while operating on slopes. Do not operate on steep slopes.
10. Plan your snow-throwing pattern to avoid discharge towards windows, walls, cars etc. Thus, avoiding possible property damage or personal injury caused by a ricochet.
11. Never direct discharge at children, bystanders and pets or allow anyone in front of the machine.
12. Do not overload machine capacity by attempting to clear snow at too fast of a rate.
13. Never operate this machine without good visibility or light. Always be sure of your footing and keep a firm hold on the handles. Walk, never run.
14. Release auger control lever to disengage power to the auger when transporting or not clearing snow.
15. Never operate machine at high transport speeds on slippery surfaces. Look down and behind and use care when backing up.
16. If the machine should start to vibrate abnormally, stop the engine, disconnect the spark plug wire and ground it against the engine. Inspect thoroughly for damage. Repair any damage before starting and operating.
17. Disengage all control levers and stop engine before you leave the operating position (behind the handles). Wait until the auger comes to a complete stop before unclogging the chute assembly, making any adjustments, or inspections.
18. Never put your hand in the discharge or collector openings. Always use the clean-out tool provided to unclog the discharge opening. Do not unclog chute assembly while engine is running. Shut off engine and remain behind handles until all moving parts have stopped before unclogging.
19. Use only attachments and accessories approved by the manufacturer (e.g. wheel weights, tire chains, cabs etc.).
20. When starting engine, pull cord slowly until resistance is felt, then pull rapidly. Rapid retraction of starter cord (kickback) will pull hand and arm toward engine faster than you can let go. Broken bones, fractures, bruises or sprains could result.
21. If situations occur which are not covered in this manual, use care and good judgment. Contact Customer Support for assistance and the name of your nearest servicing dealer.

Clearing a Clogged Discharge Chute

Hand contact with the rotating impeller inside the discharge chute is the most common cause of injury associated with snow throwers. Never use your hand to clean out the discharge chute.

To clear the chute:

1. SHUT THE ENGINE OFF!
2. Wait 10 seconds to be sure the impeller blades have stopped rotating.
3. Always use a clean-out tool, not your hands.

Maintenance & Storage

1. Never tamper with safety devices. Check their proper operation regularly. Refer to the maintenance and adjustment sections of this manual.
2. Before cleaning, repairing, or inspecting machine disengage all control levers and stop the engine. Wait until the auger come to a complete stop. Disconnect the spark plug wire and ground against the engine to prevent unintended starting.
3. Check bolts and screws for proper tightness at frequent intervals to keep the machine in safe working condition. Also, visually inspect machine for any damage.
4. Do not change the engine governor setting or over-speed the engine. The governor controls the maximum safe operating speed of the engine.
5. Snow thrower shave plates and skid shoes are subject to wear and damage. For your safety protection, frequently check all components and replace with original equipment manufacturer's (OEM) parts only. "Use of parts which do not meet the original equipment specifications may lead to improper performance and compromise safety!"
6. Check control levers periodically to verify they engage and disengage properly and adjust, if necessary. Refer to the adjustment section in this operator's manual for instructions.
7. Maintain or replace safety and instruction labels, as necessary.
8. Observe proper disposal laws and regulations for gas, oil, etc. to protect the environment.
9. Prior to storing, run machine a few minutes to clear snow from machine and prevent freeze up of auger.
10. Never store the machine or fuel container inside where there is an open flame, spark or pilot light such as a water heater, furnace, clothes dryer, etc.
11. Always refer to the operator's manual for proper instructions on off-season storage.
12. Check fuel line, tank, cap, and fittings frequently for cracks or leaks. Replace if necessary.
13. Do not crank engine with spark plug removed.
14. According to the Consumer Products Safety Commission (CPSC) and the U.S. Environmental Protection Agency (EPA), this product has an *Average Useful Life* of seven (7) years, or 60 hours of operation. At the end of the *Average Useful Life* have the machine inspected annually by an authorized service dealer to ensure that all mechanical and safety systems are working properly and not worn excessively. Failure to do so can result in accidents, injuries or death.

Do not modify engine










To avoid serious injury or death, do not modify engine in any way. Tampering with the governor setting can lead to a runaway engine and cause it to operate at unsafe speeds. Never tamper with factory setting of engine governor.

Notice Regarding Emissions

Engines which are certified to comply with California and federal EPA emission regulations for SORE (Small Off Road Equipment) are certified to operate on regular unleaded gasoline, and may include the following emission control systems: Engine Modification (EM), Oxidizing Catalyst (OC), Secondary Air Injection (SAI) and Three Way Catalyst (TWC) if so equipped.

Safety Symbols

This page depicts and describes safety symbols that may appear on this product. Read, understand, and follow all instructions on the machine before attempting to assemble and operate.

Symbol	Description
	READ THE OPERATOR'S MANUAL(S) Read, understand, and follow all instructions in the manual(s) before attempting to assemble and operate.
	WARNING— ROTATING BLADES Keep hands out of inlet and discharge openings while machine is running. There are rotating blades inside.
	WARNING— ROTATING BLADES Keep hands out of inlet and discharge openings while machine is running. There are rotating blades inside.
	WARNING— ROTATING AUGER Do not put hands or feet near rotating parts, in the auger housing or chute assembly. Contact with the rotating parts can amputate hands and feet.
	WARNING—THROWN OBJECTS This machine may pick up and throw objects which can cause serious personal injury.
	WARNING—GASOLINE IS FLAMMABLE Allow the engine to cool at least two minutes before refueling.
	WARNING— CARBON MONOXIDE Never run an engine indoors or in a poorly ventilated area. Engine exhaust contains carbon monoxide, an odorless and deadly gas.
	WARNING— ELECTRICAL SHOCK Do not use the engine's electric starter in the rain.
	WARNING— HOT SURFACE Engine parts, especially the muffler, become extremely hot during operation. Allow engine and muffler to cool before touching.



WARNING! Your Responsibility—Restrict the use of this power machine to persons who read, understand and follow the warnings and instructions in this manual and on the machine.

SAVE THESE INSTRUCTIONS!

Thank You

Thank you for purchasing this product. It was carefully engineered to provide excellent performance when properly operated and maintained.

Please read this entire manual prior to operating the equipment. It instructs you how to safely and easily set up, operate and maintain your machine. Please be sure that you, and any other persons who will operate the machine, carefully follow the recommended safety practices at all times. Failure to do so could result in personal injury or property damage.

All information in this manual is relative to the most recent product information available at the time of printing. Review this manual frequently to familiarize yourself with the machine, its features and operation. Please be aware that this Operator's Manual may cover a range of product specifications for various models. Characteristics and features discussed and/or illustrated in this manual may not be applicable to all models. We

reserve the right to change product specifications, designs and equipment without notice and without incurring obligation.

If applicable, the power testing information used to establish the power rating of the engine equipped on this machine can be found at www.opei.org or the engine manufacturer's web site.

If you have any problems or questions concerning the machine, phone your local authorized service dealer or contact us directly. We want to ensure your complete satisfaction at all times.

Throughout this manual, all references to *right* and *left* side of the machine are observed from the operating position.

Contents of Carton

- Snow Thrower (1)
 - Replacement Auger Shear Pins (2-4)
 - Snow Thrower Operator's Manual (1)
 - Product Registration Card (1)
 - Chute Assembly (1)
 - Safety Key (2)
 - Engine Operator's Manual (1)
 - Chute Control Rod, Flex Shaft, or Side Crank Rod Assembly† (1)
 - Parts/Warranty Document (1)
- † If Equipped

NOTE: This Operator's Manual covers several models. Features may vary by model. Not all features in this manual are applicable to all models and the model depicted may differ from yours. Refer to Figure 2-1 which shows the different versions and match the contents of carton (chute and directional control rod/flex shaft) to identify your specific unit.

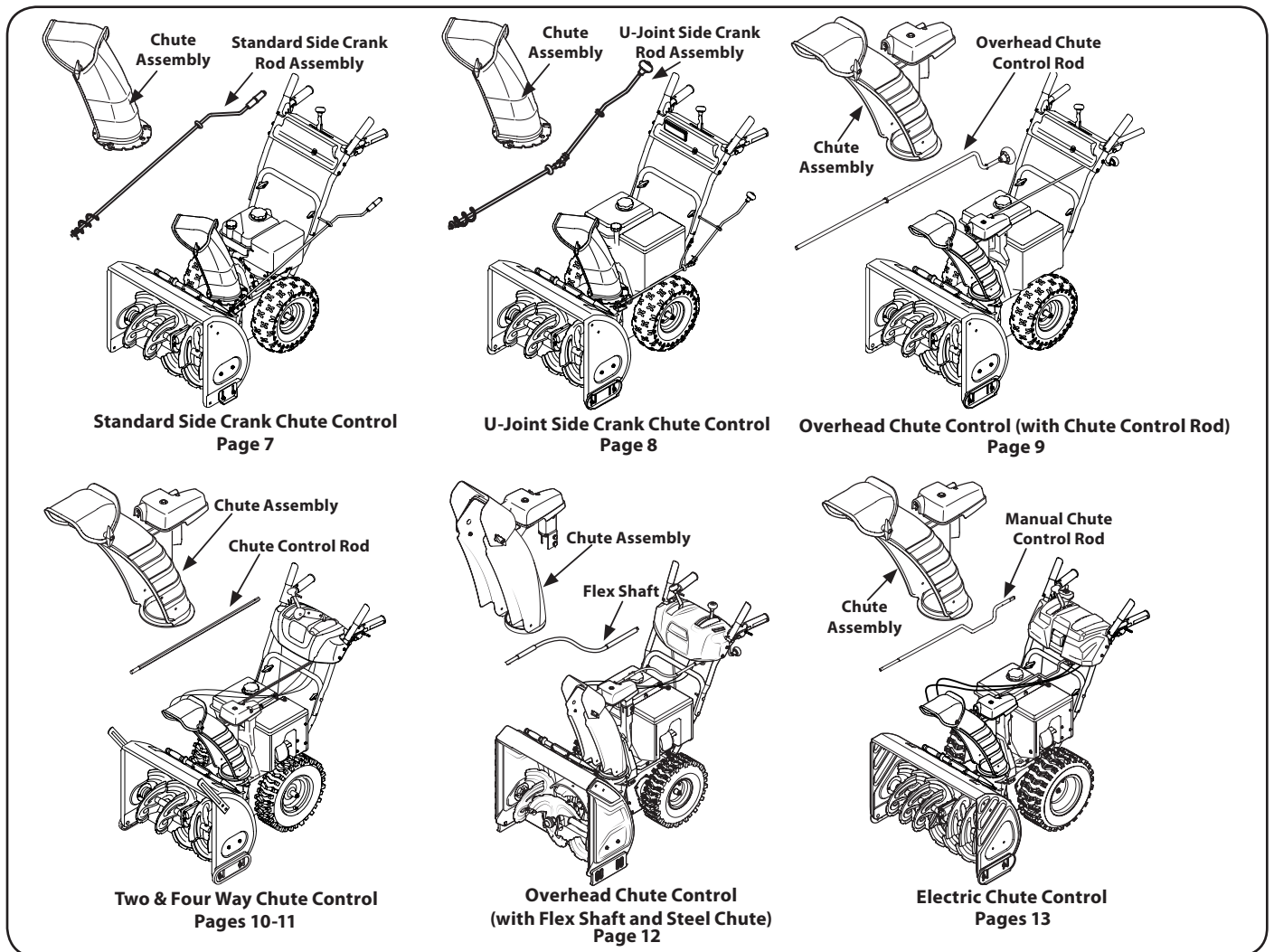


Figure 2-1

Tools Required

- Adjustable Wrench or Socket Set
- Needle Nose Pliers

Handle Assembly

1. Cut cable ties securing chute control rod to lower handle (if applicable) and set aside.
2. On select units, loosen the top two lock nuts (a) securing the upper and lower handle and remove the two carriage screws (b) from the lower handle and set aside as shown in Figure 2-2.

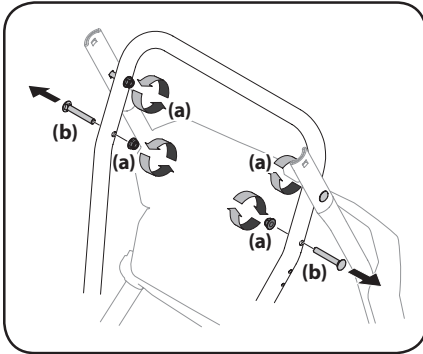


Figure 2-2

3. Place shift lever in Forward-6 position (if equipped).
4. Observe lower rear area of equipment to be sure both cables are aligned and seated properly in roller guides. See Figure 2-3.

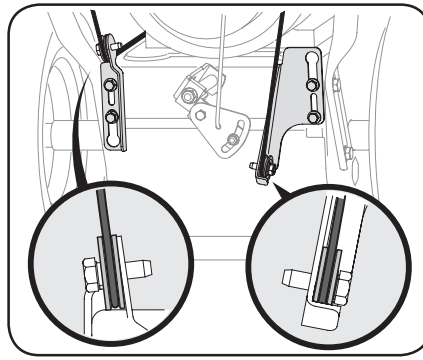


Figure 2-3

NOTE: On units with Overhead Chute Control (with Flex Shaft), Four-Way Chute Control, and Electric Chute Control cut cable ties securing flex shaft to the lower handle and set the flex shaft aside. Remove rubber bands securing cables to carriage screws and cut cable tie securing shift rod to lower handle. Refer to Figure 2-1 to help identify your unit.

5. Pivot handle upward and align the tab in the lower area of the upper handle with the hole in the lower handle. Secure handle by tightening wing nuts located on both left and right sides of handle. See Figure 2-4. Remove and discard any rubber bands, if present. They are for packaging purposes only.

NOTE: On select units with steel rod speed selectors, you may need to lower shift rod to the side slightly to maneuver handle panel over it when pivoting handle upward.

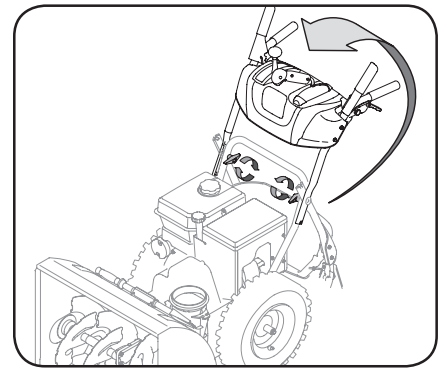


Figure 2-4

6. On units with the handle set-up shown in Figure 2-2, attach the two carriage screws (b) and lock nuts (a) removed in Step 2. Finish securing the handle by tightening the top two lock nuts (a) loosened in Step 2. See Figure 2-5.

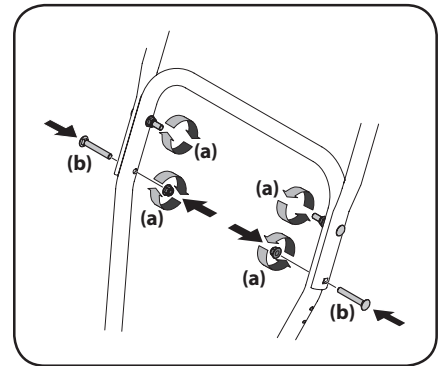


Figure 2-5

Chute Assembly Options

Refer to Figure 2-1 and proceed to your applicable Chute Control Style on pages 7-14.

Standard Side Crank Chute Control

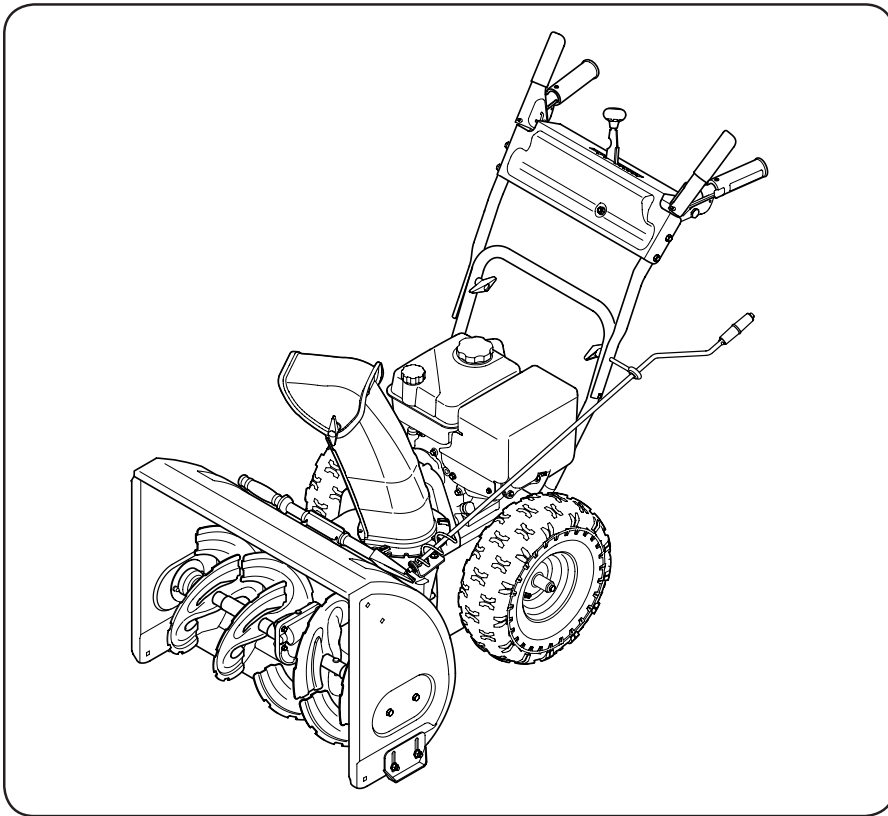


Figure 2-6

1. Position chute assembly over base. See Figure 2-7.

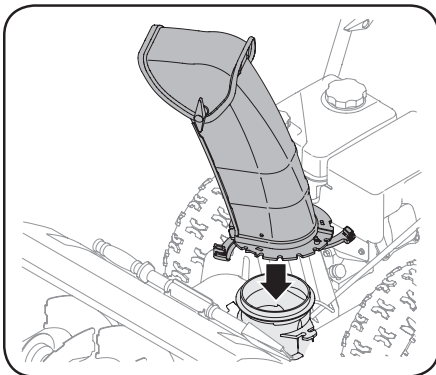


Figure 2-7

2. Close flange keepers to secure chute assembly to chute base. Flange keepers will click into place when properly secure. See Figure 2-8.

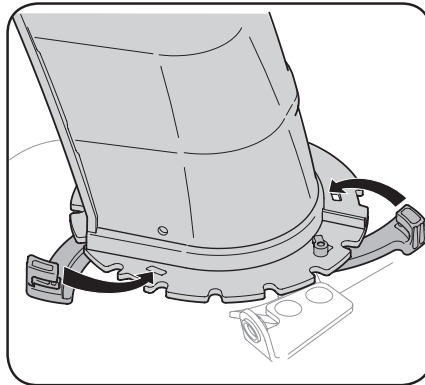


Figure 2-8

NOTE: Ensure the lower chute is secured to the flange on the chute base. The lower edge of the chute keeper should be positioned below the flange on the chute base after being clicked into place. If flange keepers will not easily click into place, use palm of your hand to apply swift, firm pressure to the back of each.

Chute Directional Control Assembly

1. Remove plastic cap (if present), flat washer (a) and hairpin clip (b) from end of chute directional control assembly. See Figure 2-9.

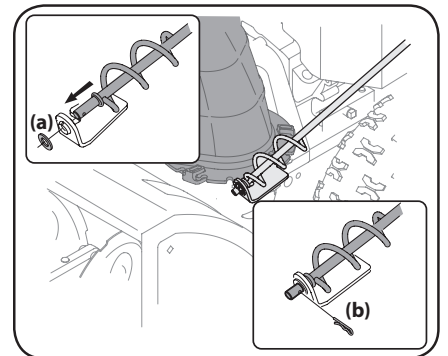


Figure 2-9

2. Insert end of chute directional control assembly into lower bracket and secure chute directional control assembly with flat washer (a) and hairpin clip (b) removed in Step 1. If necessary, lower bracket can be adjusted. Refer to Chute Bracket Adjustment in Service section on page 21.



STOP! Continue to Set-Up (page 14).

U-Joint Side Crank Chute Control

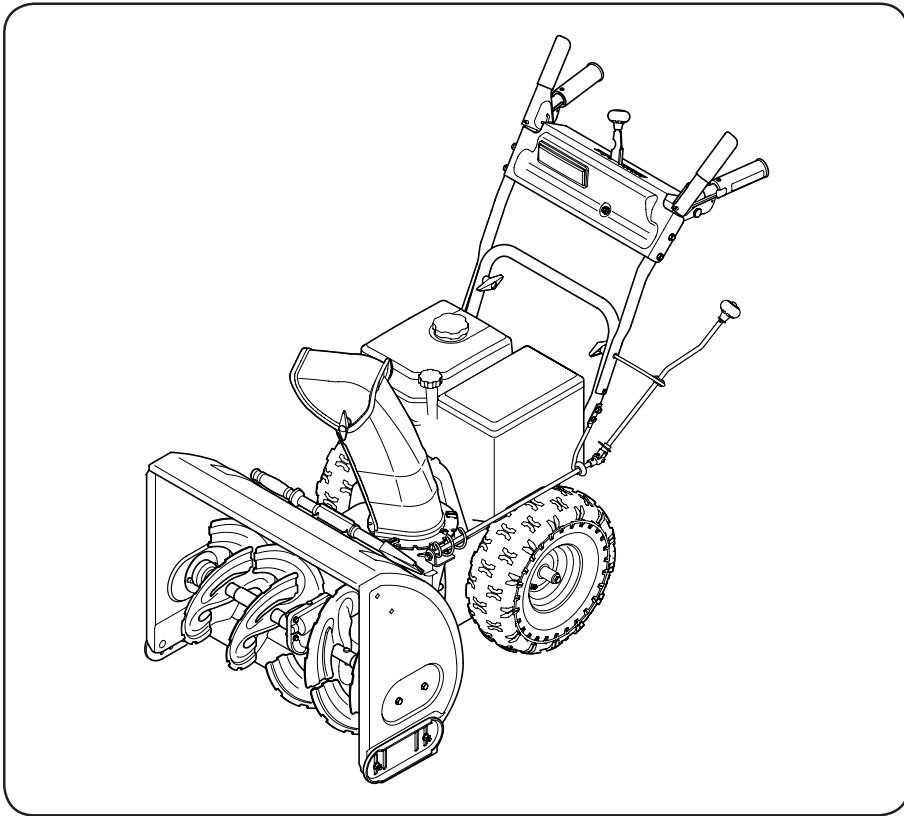


Figure 2-10

1. Position chute assembly over base. See Figure 2-11.

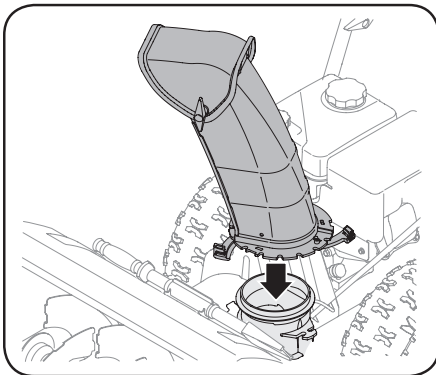


Figure 2-11

2. Close flange keepers to secure chute assembly to chute base. Flange keepers will click into place when properly secure. See Figure 2-12.

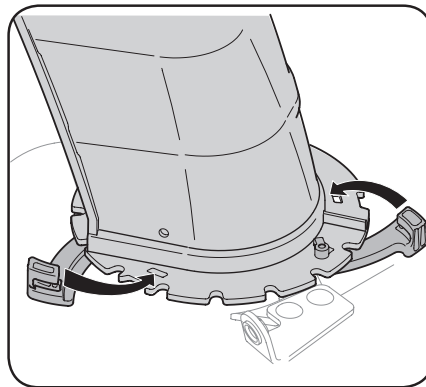


Figure 2-12

NOTE: Ensure the lower chute is secured to the flange on the chute base. The lower edge of the chute keeper should be positioned below the flange on the chute base after being clicked into place. If flange keepers will not easily click into place, use palm of your hand to apply swift, firm pressure to the back of each.

Chute Directional Control Assembly

1. Remove cotter pin from end of unattached chute directional control assembly.
2. Insert unattached chute directional control assembly into eye bolt on left side of handle assembly. See Figure 2-13.

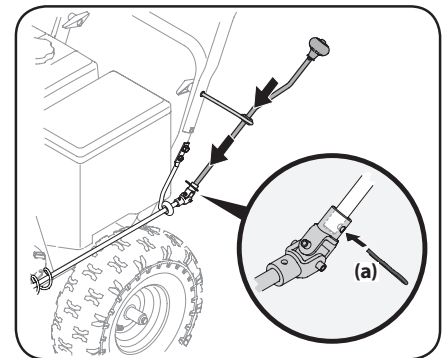


Figure 2-13

3. Line up holes in the end of unattached chute directional control assembly with holes in U-joint attached to lower chute directional control assembly. Insert cotter pin (a). See Figure 2-13. If necessary, bracket securing lower chute directional control assembly to chute base can be adjusted. Refer to Chute Bracket Adjustment in Service section on page 21.



STOP! Continue to Set-Up (page 14).

Overhead Chute Control (with Chute Control Rod)

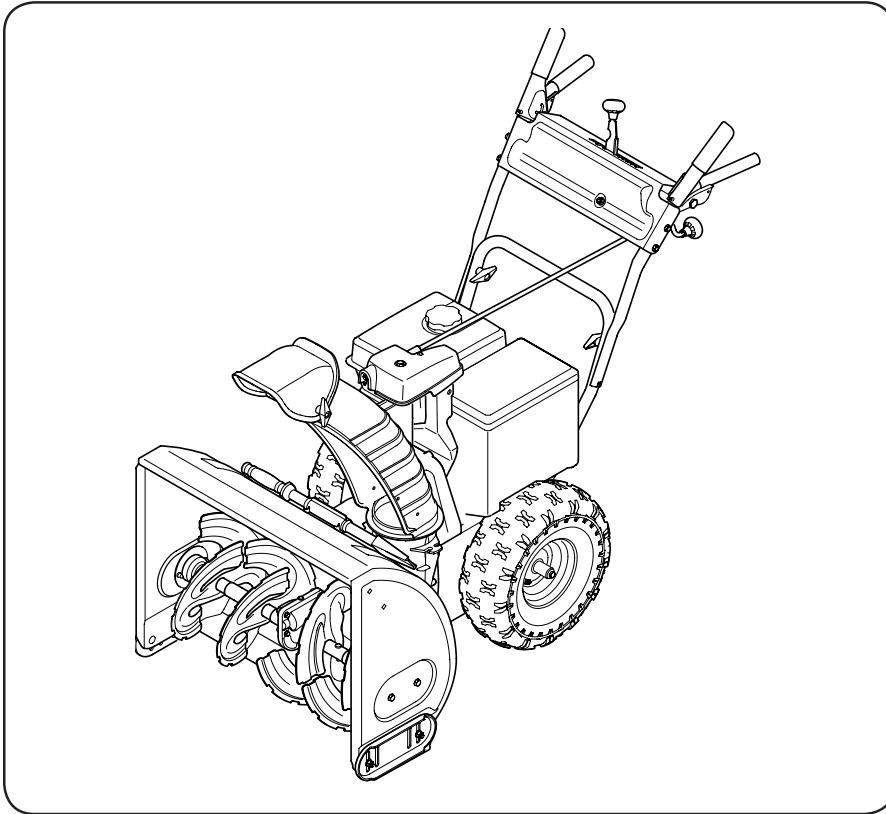


Figure 2-14

1. Remove wing nut (a) and hex screw (b) from chute control head and clevis pin (c) and cotter pin (d) from chute support bracket. Position chute assembly (forward-facing) over chute base. See Figure 2-15.

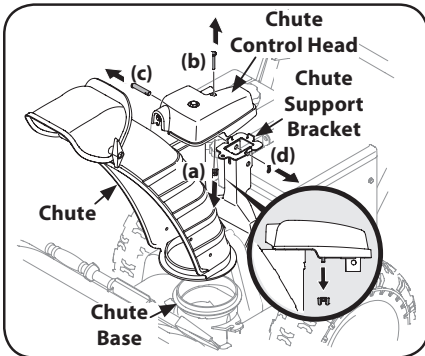


Figure 2-15

2. Place chute assembly onto chute base and secure chute control head to chute support bracket with clevis pin (c) and cotter pin (d) removed in Step 1. See Figure 2-16.

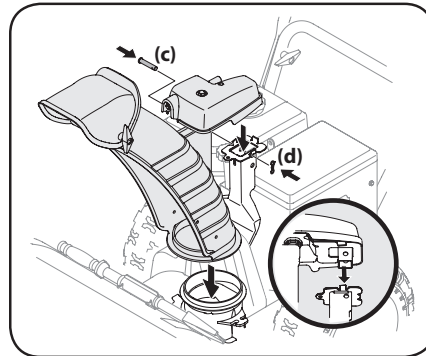


Figure 2-16

3. Finish securing chute control head to chute support bracket with wing nut (a) and hex screw (b) removed in Step 1. See Figure 2-17.

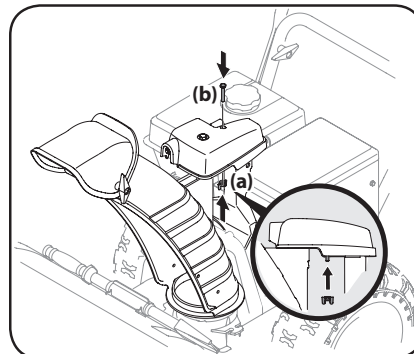


Figure 2-17

4. Insert chute control rod into the support bracket on rear of the dash panel. See Figure 2-18.

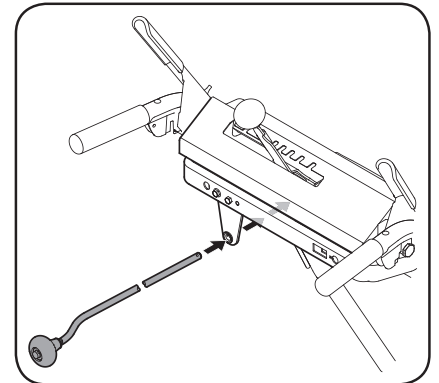


Figure 2-18

5. Remove hairpin clip (a) from rear of chute control head. See Figure 2-19.
6. Insert chute control rod (b) into rear of chute control head. See Figure 2-19. Secure chute control rod to chute control assembly with hairpin clip (a) removed in Step 5.

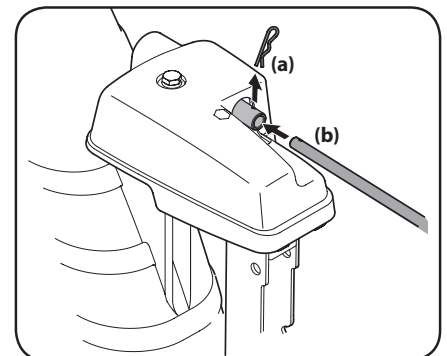


Figure 2-19

STOP Continue to Set-Up (page 14).

Two & Four Way Chute Control

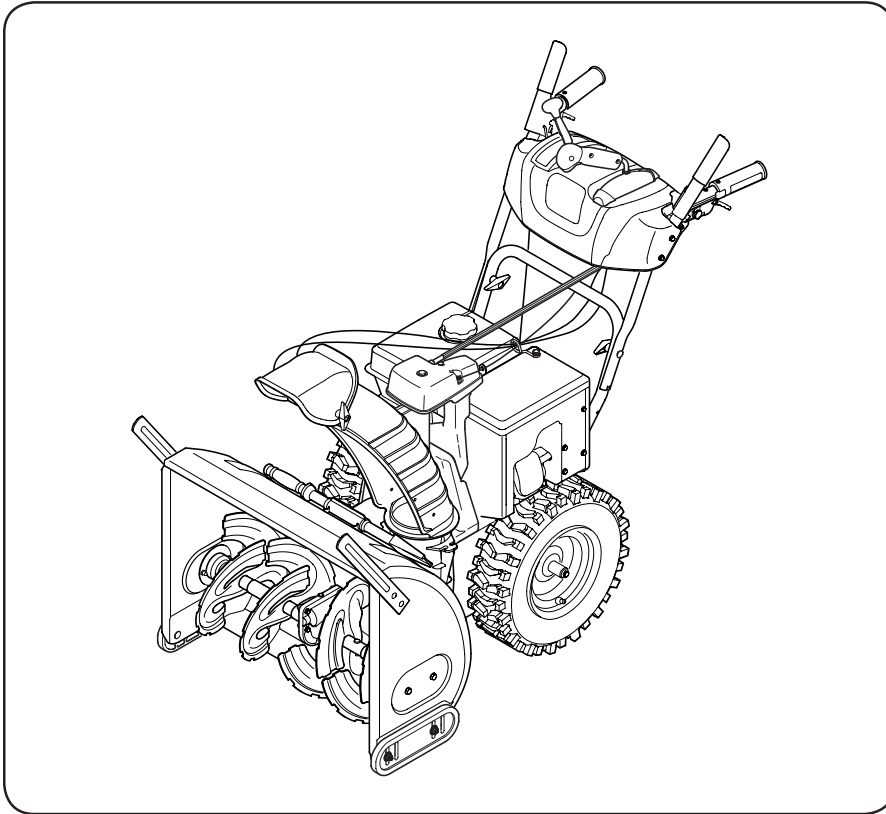


Figure 2-20

1. Remove hairpin clip (a), wing nut (b) and hex screw (c) from chute control head and clevis pin (d) and bow-tie cotter pin (e) from chute support bracket. See Figure 2-21.

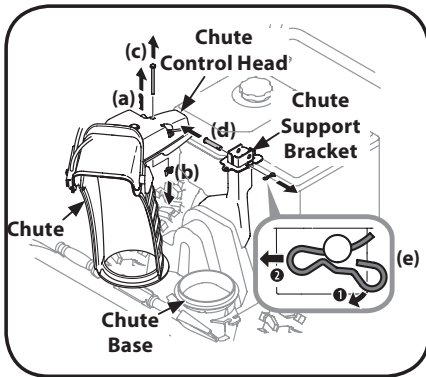


Figure 2-21

2. Insert chute control rod into chute control head. Push rod as far into chute control head as possible, keeping holes in rod pointing upward. See Figure 2-22.

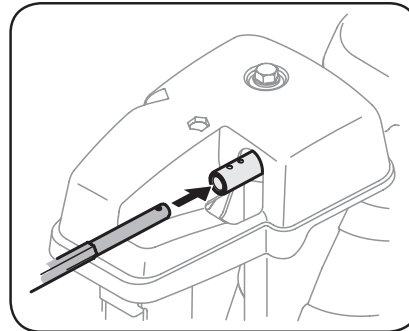


Figure 2-22

3. Place chute onto chute base and ensure chute control rod is positioned under handle panel. Install hex screw (c) removed in Step 1, but do not secure with wing nut at this time. See Figure 2-23.

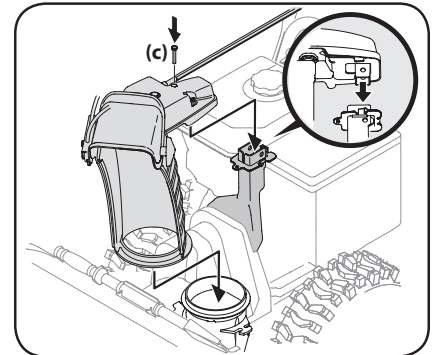


Figure 2-23

4. Squeeze trigger on joystick and rotate chute by hand to face forward. The holes in chute control input will be facing up. See Figure 2-24.

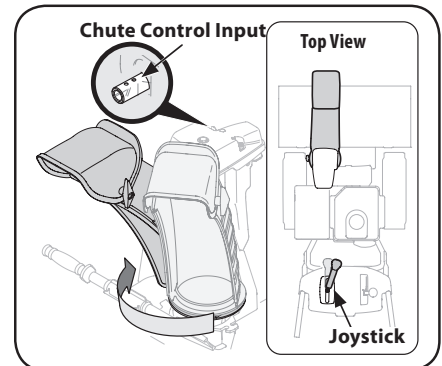


Figure 2-24

NOTE: Chute will not rotate without squeezing trigger on joystick.

5. Rotate joystick to one o'clock position so that silver indicator arrow on pinion gear below control panel faces upward. See Figure 2-25.

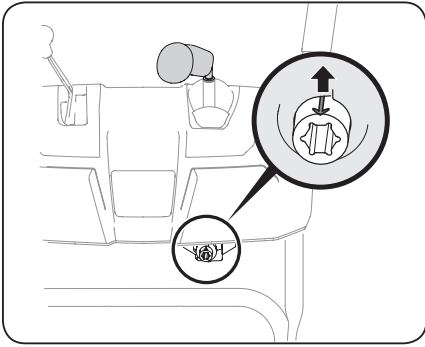


Figure 2-25

6. Insert chute control rod into pinion gear below joystick. Make sure to line up hole in rod with arrow on pinion gear. See Figure 2-26.

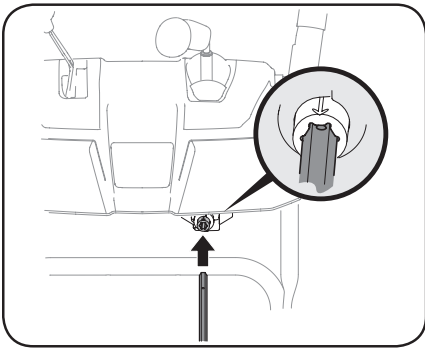


Figure 2-26

NOTE: Chute control rod will fit snug into pinion gear. Support rear of dash panel with one hand while inserting rod with your other hand to ensure rod is inserted **all the way** into pinion gear.

NOTE: The hole in the chute directional control rod is a reference for aligning rod with indicator arrow on pinion gear, and will be visible after rod has been inserted.

7. Push chute control rod toward control panel until hole in rod lines up with hole in chute control input closest to chute control head and insert hairpin clip (a) removed in Step 1. See Figure 2-27.

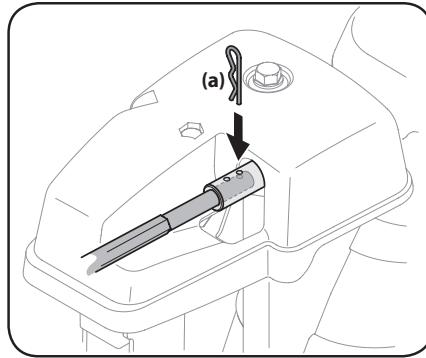


Figure 2-27

NOTE: Second hole is used to achieve further engagement of chute control rod into pinion gear if required. Refer to Service section for Chute Control Rod adjustments.

8. Finish securing chute control head to chute support bracket with wing nut (b), clevis pin (d), and bow-tie cotter pin (e) removed in Step 1.
9. Check that all cables are properly routed through cable guide on top of engine. See Figure 2-28.

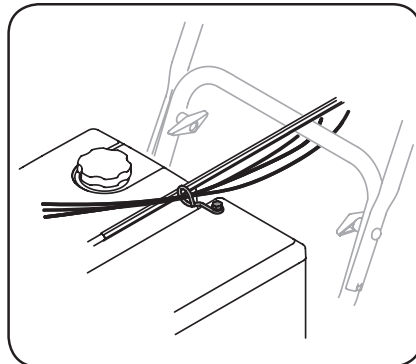


Figure 2-28

NOTE: For smoothest operation, cables should all be to the left of the chute directional control rod.

NOTE: Models with 2-Way Chute Control have only one cable to route through cable guide.



STOP! Continue to Set-Up (page 14).

Overhead Chute Control (with Flex Shaft and Steel Chute)

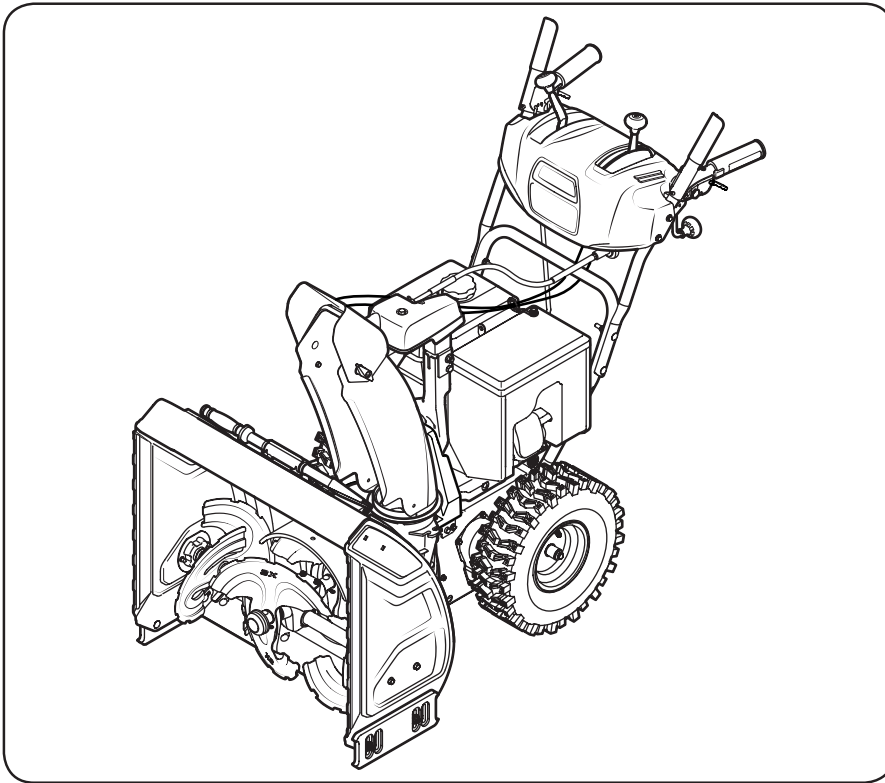


Figure 2-29

1. Remove lock nuts (a) and hex screws (b) from chute support bracket (this will require two wrenches). See Figure 2-30.

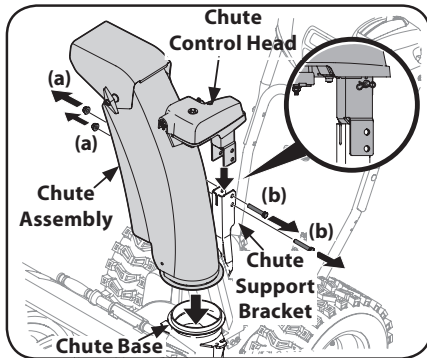


Figure 2-30

2. Place chute assembly onto chute base and chute control head onto chute support bracket. See Figure 2-30.
3. Secure chute control head to chute support bracket with lock nuts (a) and hex screws (b) removed in Step 1. See Figure 2-31.

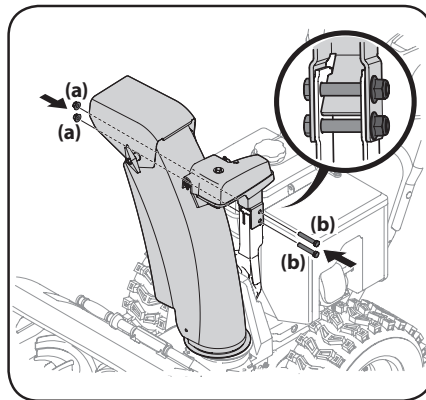


Figure 2-31

4. Remove hairpin clip (a) from rear of chute control assembly. See Figure 2-32.
5. Insert flex shaft (b) removed during Handle Assembly from lower handle into rear of chute directional control head. See Figure 2-32. Secure flex shaft to chute control head with hairpin clip (a) removed in Step 4.

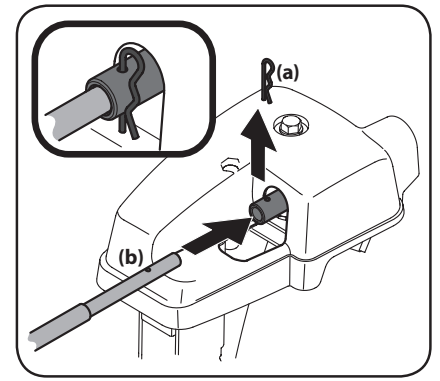


Figure 2-32

6. Insert hex end of flex shaft into chute control rod coupling under dash panel. See Figure 2-33.

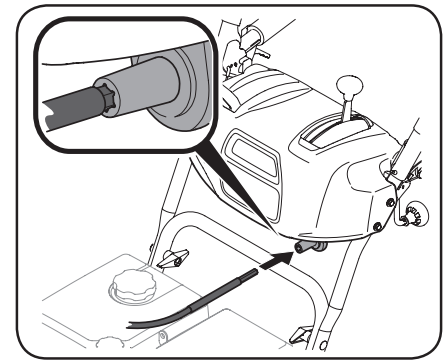


Figure 2-33

7. Ensure speed selector is in fastest forward speed.
8. Remove cotter pin (a) and washer (b) from ferrule on end of shift rod. See Figure 2-34 inset.

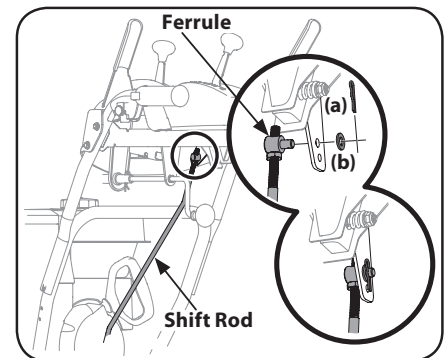


Figure 2-34

9. Insert ferrule into top hole of shift lever and secure with cotter pin (a) and washer (b) removed in Step 8. Ferrule may need to be adjusted up or down.
10. Check that all cables are properly routed through cable guide on top of engine. See Figure 2-28.



STOP! Continue to Set-Up (page 14).

Electric Chute Control

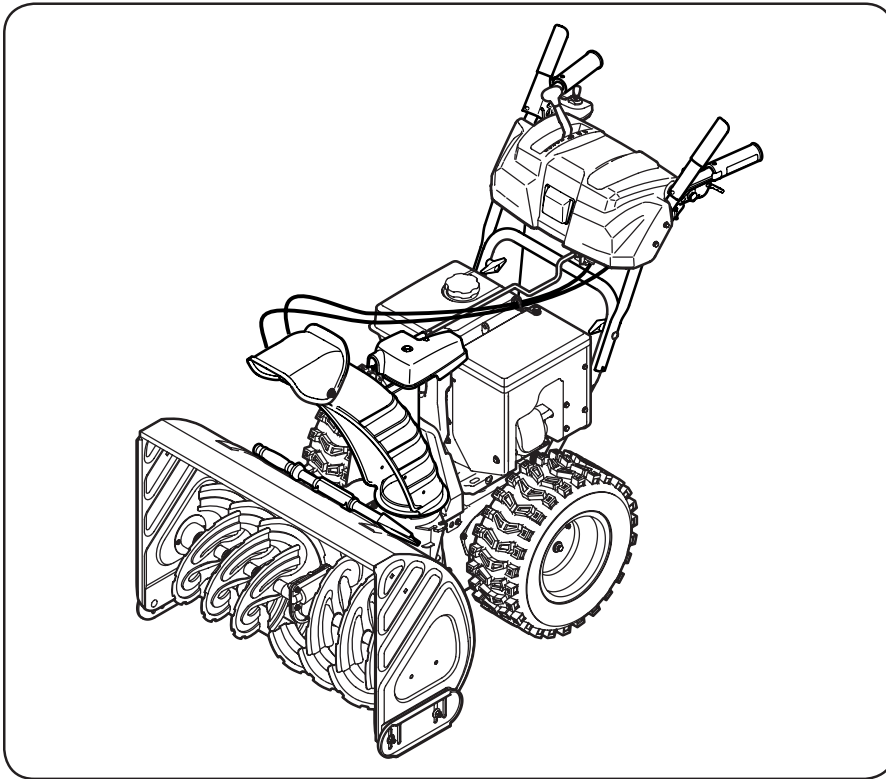


Figure 2-35

1. Remove cotter pin (a), wing nut (b) and hex screw (c) from chute control head. Remove clevis pin (d) and bow-tie cotter pin (e) from chute support bracket. See Figure 2-36.

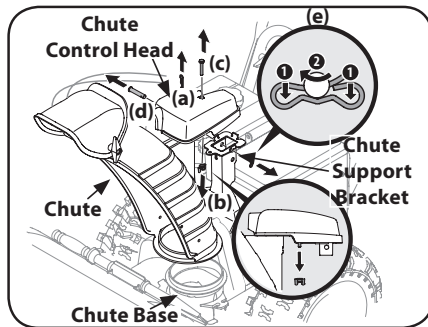


Figure 2-36

2. Insert round end of chute control rod into chute control head. Push rod as far into chute control head as possible, keeping holes in rod pointing upward. See Figure 2-37.

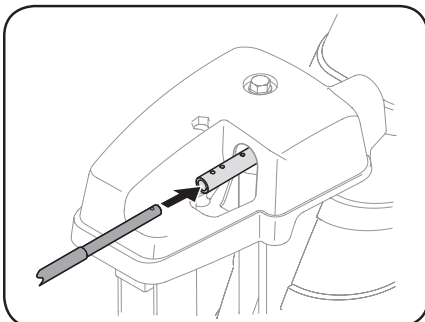


Figure 2-37

3. Place chute onto chute base and ensure chute control rod is positioned under handle panel. Secure chute control head to chute support bracket with clevis pin (d) and bow-tie cotter pin (e) removed in Step 1. See Figure 2-38.

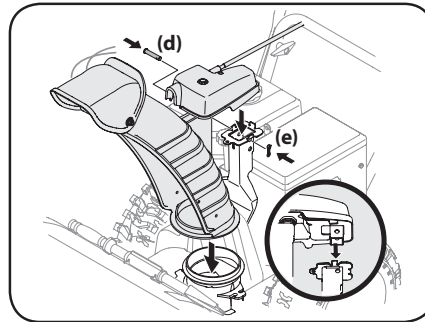


Figure 2-38

4. Finish securing chute control head by installing hex screw (c) and wing nut (b) removed in Step 1. See Figure 2-39.

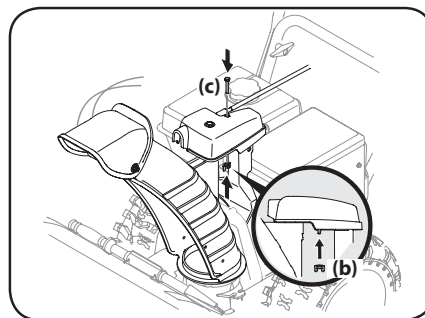


Figure 2-39

5. Insert other end of chute control rod into coupler below handle panel. Make sure to line up flat end of rod and flat end of coupler. You may need to rotate rod around until these two surfaces line up. See Figure 2-40 inset.

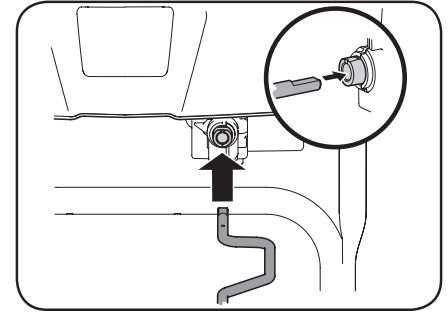


Figure 2-40

6. Push chute control rod toward the control panel until hole in rod lines up with middle hole in chute control input and insert cotter pin (a) removed in Step 1. See Figure 2-41.

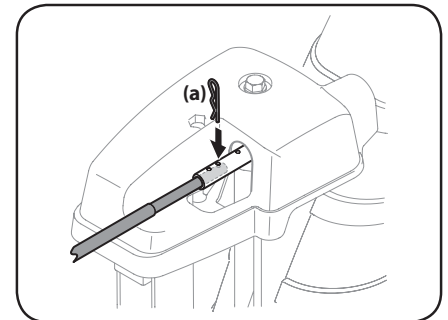


Figure 2-41

NOTE: There is a reference hole provided at rear end of control rod to help know when holes are vertical.

NOTE: Hole furthest from chute control head is used to achieve further engagement of chute control rod into coupler if required. Refer to Service section for Chute Control Rod adjustment on page 22. Hole closest to chute control head is used for manual movement of chute assembly if required. Refer to Controls & Operation section on page 18.

7. Check that cables are properly routed through cable guide on top of engine. See Figure 2-28.

NOTE: For smoothest operation, cables should all be to left of chute directional control rod.



STOP! Continue to Set-Up.

Set-Up

Shear Pins Storage (If Equipped)

On select units, holes are provided in the rear of the handle panel for shear pin (a) and bow-tie cotter pin (b) storage as shown in Figure 2-42. If not provided, make sure to store them in a safe place until needed.

NOTE: Three stage units come with four (4) shear pins and bow-tie cotter pins.

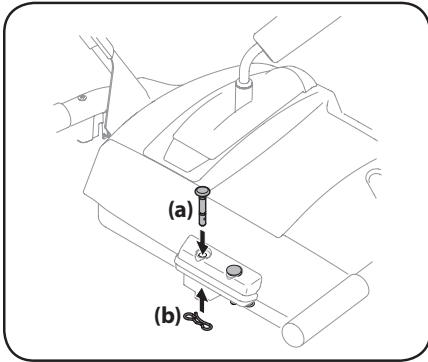


Figure 2-42

Chute Clean-Out Tool

The chute clean-out tool is fastened to the top of the auger housing with a mounting clip and a cable tie at the factory. Cut cable tie before operating unit. See Figure 2-43.

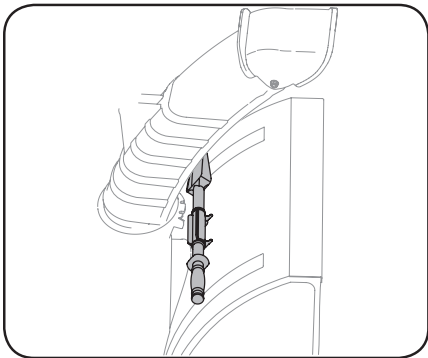


Figure 2-43

Drift Cutters (If Equipped)

The drift cutters are mounted inverted at the factory for shipping purposes.

Standard

1. Remove two screws (a) and lock nuts (b) that secure each drift cutter, and remove them from the sides of auger housing. See Figure 2-44.
2. Turn the drift cutters around and position them as shown in Figure 2-44 to the outside of the auger housing.

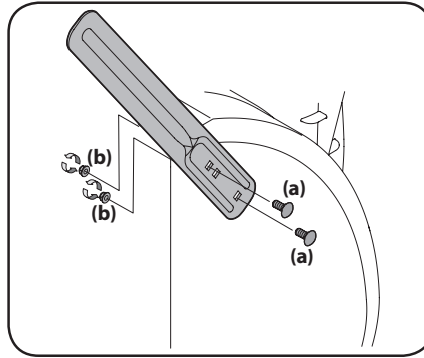


Figure 2-44

3. Attach drift cutters with screws (a) and lock nuts (b) removed in Step 1.

Tool-less

1. Remove two carriage bolts (a) and wing nuts (b) that secure each drift cutter, and remove them from the sides of auger housing. See Figure 2-45.
2. Turn the drift cutters around and position them as shown in Figure 2-45 to the outside of the auger housing.

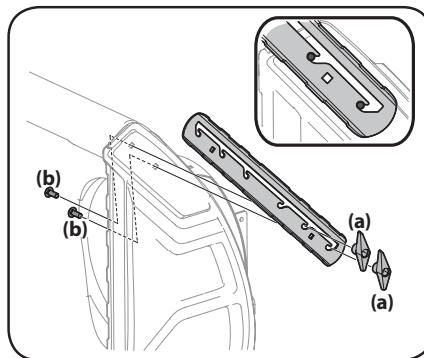


Figure 2-45

3. Attach drift cutters with carriage bolts (a) and wing nuts (b) removed in Step 1.

Tire Pressure



WARNING! Under any circumstance do not exceed manufacturer's recommended psi. Equal tire pressure should be maintained at all times. Excessive pressure when seating beads may cause tire/rim assembly to burst with force sufficient to cause serious injury. Refer to sidewall of tire for recommended pressure.

The tires are over-inflated for shipping purposes. Check tire pressure before operating unit. Refer to tire side wall for tire manufacturer's recommended psi and deflate (or inflate) tires as necessary.

NOTE: Equal tire pressure is to be maintained at all times for performance purposes.

Adjustments

Chute Assembly

NOTE: Upper chutes on models with Four Way and Electric Chute Directional Control are controlled by the Four Way/Electric Chute Directional Control Joystick. See Figure 3-1.

On units with manual chute tilt, the distance snow is thrown can be adjusted by changing angle of chute assembly. To do so:

1. Loosen wing knob found on left side of chute assembly. See Figure 2-46.

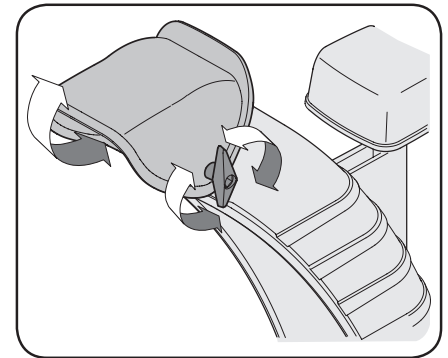


Figure 2-46

2. Pivot chute upward or downward before retightening wing knob.

Skid Shoes

The snow thrower skid shoes are adjusted at the factory set roughly 1/8" below the shave plate. Adjust them downward, if desired, prior to operating the snow thrower.



CAUTION: Use extreme caution when on gravel and adjust auger housing height to clear gravel or crushed rock surfaces to avoid picking up and throwing gravel or crushed rock.

- For close snow removal on a smooth surface, raise skid shoes higher on auger housing.
- Use a lower position when area to be cleared is uneven, such as a gravel driveway.

NOTE: If you choose to operate unit on a gravel surface, keep skid shoes in position for maximum clearance between ground and shave plate.

To adjust skid shoes:

1. Loosen four hex nuts (a) (two on each side) and carriage bolts (b). Move skid shoes to desired position. See Figure 2-47.

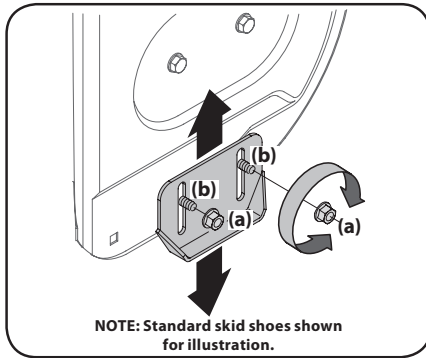


Figure 2-47

NOTE: The skid shoes on your unit may look slightly different (and have different hardware) than ones shown in Figure 2-47.

2. Make certain entire bottom surface of skid shoe is against ground to avoid uneven wear on skid shoes.
3. Retighten hex nuts (a) and carriage bolts (b) securely.

Auger Control Lever



WARNING! Prior to operating your unit, carefully read and follow all instructions below. Perform all adjustments to verify your equipment is operating safely and properly.

Refer to Controls & Operation section (page 16) for the location of auger control lever and check adjustment as follows:

1. When auger control lever is released and in disengaged "UP" position, the cable should have very little slack. It should NOT be tight.
2. In a well-ventilated area, start the snow thrower engine. Refer to your Engine Operator's Manual.
3. While standing in the operator's position (behind the unit), depress the auger control lever to engage auger.
4. Allow auger to remain engaged for approximately ten (10) seconds before releasing auger control lever. Repeat this several times.
5. With auger control lever in disengaged "UP" position, walk to front of machine.
6. Confirm that auger has completely stopped rotating and shows NO signs of motion. If auger shows ANY signs of rotating, immediately return to operator's position and shut OFF engine. Wait for ALL moving parts to stop before readjusting auger control lever.
7. To readjust the auger control cable, loosen upper hex screw (a) on auger control bracket. See Figure 2-48.
8. Position bracket upward to provide more slack (or downward to increase cable tension). See Figure 2-48.

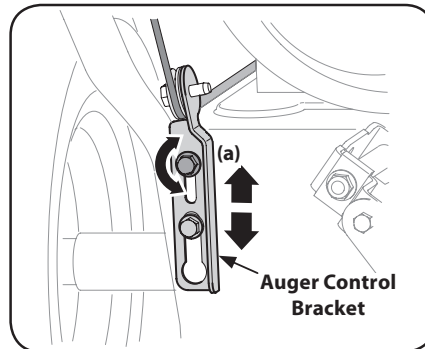
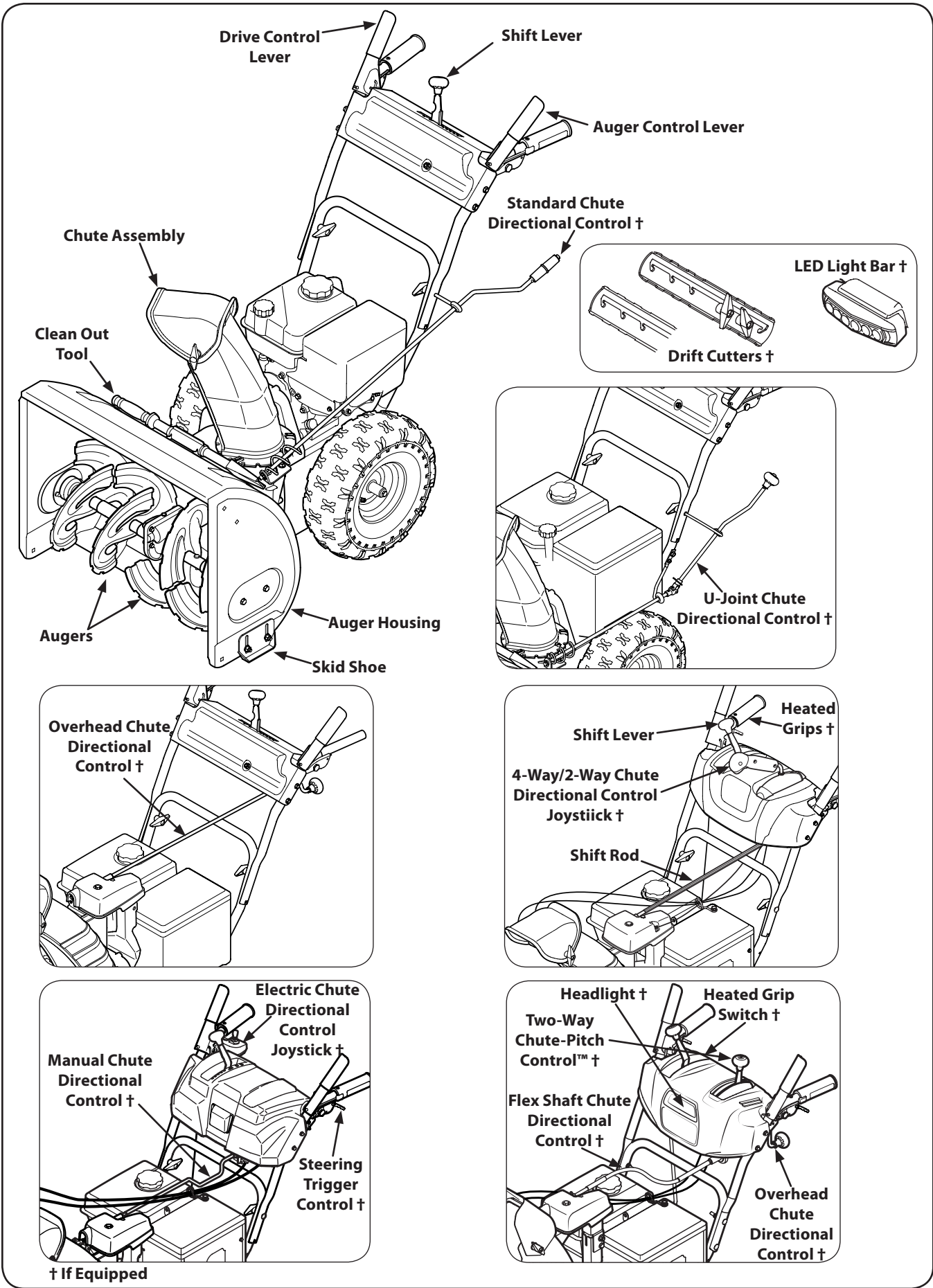


Figure 2-48

9. Retighten upper hex screw (a).
10. Repeat Steps 2 through 6 to verify proper adjustment has been achieved.

Adding Fuel & Oil

Refer to the Engine Operator's Manual for information on adding fuel and oil.



† If Equipped

Figure 3-1

Snow thrower controls and features are described below and illustrated in Figure 3-1.

NOTE: This Operator's Manual covers several models. Snow thrower features may vary by model. Not all features in this manual are applicable to all snow thrower models and the snow thrower depicted may differ from yours.

NOTE: All references to the left or right side of the snow thrower are from the operator's position. Any exceptions will be noted.

Engine Controls

Refer to your Engine Operator's Manual for location and description of engine controls pertaining to your engine. Yours may differ slightly from the one pictured in Figure 3-2.

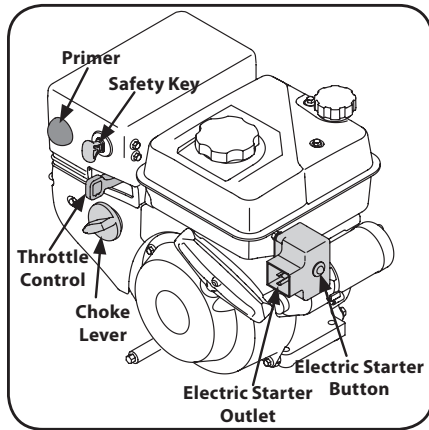


Figure 3-2

Choke Lever

Activating the choke control closes the choke plate on carburetor and aids in starting engine. The choke lever slides between the RUN and CHOKE positions.

Primer

Pressing the primer, making sure to cover the vent hole when pushing, forces fuel directly into the engine's carburetor to aid in cold-weather starting.

Safety Key

The safety key is a safety device. It must be fully inserted in order for the engine to start. Remove the safety key when the snow thrower is not in use.

Electric Starter Outlet

Requires the use of a grounded, three-prong outdoor extension cord and a 120V power source/wall outlet.

Electric Starter Button

Pressing the electric starter button engages the engine's electric starter when plugged into a 120V power source.

Throttle Control

The throttle control regulates the speed of the engine and will shut OFF the engine when moved into the STOP position.

Shift Lever

The shift lever is located on the handle panel and is used to determine ground speed and direction of travel.

Forward

There are six forward (F) speeds. Position one (1) is the slowest and position six (6) is the fastest.

Reverse

There are two reverse (R) speeds. Position one (1) is the slower and position two (2) is the faster.

Chute Assembly

Snow drawn into the auger housing is discharged out the chute assembly.

Skid Shoes

Position skid shoes based on surface conditions. Adjust upward for hard-packed snow. Adjust downward when operating on gravel or crushed rock surfaces. See Skid Shoe Adjustment section on page 15.

Augers

When engaged, the augers rotate and draw snow into the auger housing.

Headlight (If Equipped)

The headlight is located on top of the handle panel and is automatically turned ON when the engine is started.

LED Light Bar (If Equipped)

The LED headlight is located on top of the auger housing and is automatically turned ON when the engine is started.

Drift Cutters (If Equipped)

The drift cutters are designed for use in deep snow. Their use is optional for normal snow conditions. Maneuver unit so that the cutters penetrate a high standing snow drift to assist snow falling into the augers for throwing.

Heated Grips (If Equipped)



CAUTION: It is recommended that you wear gloves when using the heated grip. If the heated grips become too hot, turn it OFF.

To activate the heated grips, move switch found on rear of dash panel into the ON position. See Figure 3-3. To turn OFF heated grips, move switch found on rear of dash panel to OFF position.

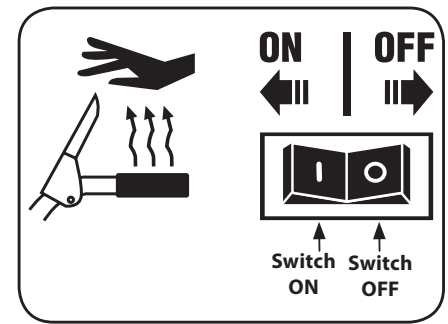


Figure 3-3

Auger Control Lever

The auger control lever is located on the left handle. Squeeze the control lever against the handle to engage the augers and start snow throwing action. Release to stop. See Figure 3-4.

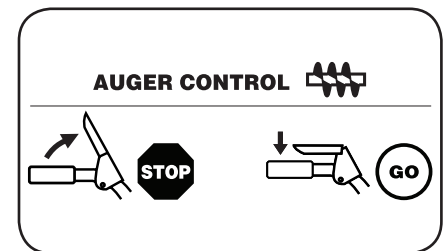


Figure 3-4

Drive Control Lever / Auger Clutch Lock*

The drive control lever is located on the right handle. Squeeze the control lever against the handle to engage the wheel drive. Release to stop. See Figure 3-5.

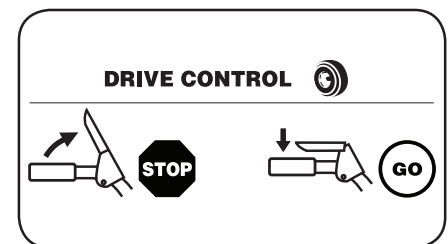


Figure 3-5

*On select models, the drive control lever also locks the auger control lever so that you can operate the chute directional control without interrupting the snow throwing process. If the auger control lever is engaged simultaneously with the drive control lever, the operator can release the auger control lever (on the left handle) and the augers will remain engaged. Release both control levers to stop augers and wheel drive.

NOTE: Always release drive control lever before changing speeds. Failure to do so will result in increased wear on your machine's drive system.

Steering Trigger Controls (If Equipped)

The left and right wheel steering trigger controls are located on the underside of the handles. Refer to Figure 3-6.

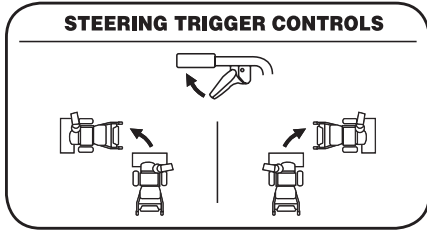


Figure 3-6

- Squeeze the right trigger control to turn right.
- Squeeze the left trigger control to turn left.



CAUTION: Operate the snow thrower in open areas until you are familiar with these controls.

2-Way Chute Directional Control Joystick (If Equipped)

The 2-Way chute directional control joystick is located on the left side of the dash panel.

- To change direction in which snow is thrown, squeeze button on joystick and pivot joystick to right or to the left. See Figure 3-7.

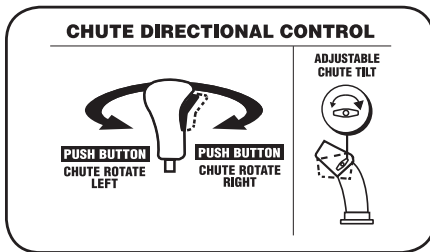


Figure 3-7

4-Way Chute Directional Control Joystick (If Equipped)

The 4-Way chute directional control joystick is located on the left side of the dash panel.

- To change the direction in which snow is thrown, squeeze the button on the joystick and pivot the joystick to the right or to the left. See Figure 3-8.
- To change the angle/distance which snow is thrown, pivot the joystick forward or backward.

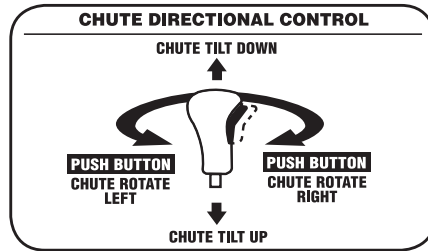


Figure 3-8

Overhead Chute Directional Control (If Equipped)

The overhead chute directional control is located at the rear of the snowthrower towards the left side of the unit under the handle panel. To change the direction in which snow is thrown, rotate chute directional control. See Figure 3-9.

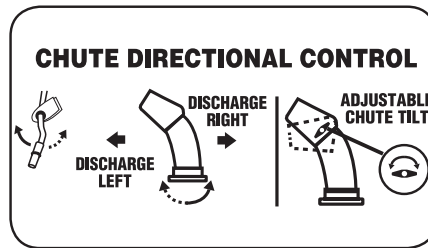


Figure 3-9

Standard/U-Joint Chute Directional Control (If Equipped)

The standard/U-Joint chute directional control is located on the left side of the unit. To change direction in which snow is thrown, rotate chute directional control. See Figure 3-9.

Electric Chute Directional Control Joystick (If Equipped)

The electric chute directional control joystick is located on the right side of the dash panel. Refer to Figure 3-10.

- To change the direction in which snow is thrown, move the joystick to the right or to the left.
- To change the angle/distance which snow is thrown, pivot the joystick forward or backward.

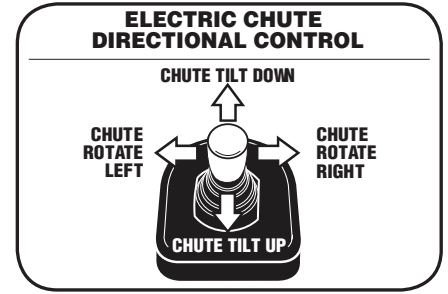


Figure 3-10

Manual Chute Directional Control (Equipped on units with Electric Chute Directional Control Joystick)

Proceed as follows to utilize manual chute directional control if needed:

1. Remove cotter pin (a) from either of the holes furthest from the chute assembly on chute rotation assembly.
2. Push in chute control rod until the hole in it lines up with the third hole in chute rotation assembly. See Figure 3-11.

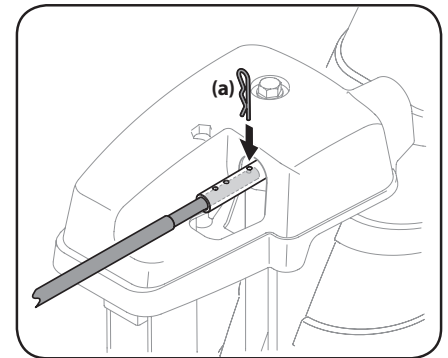


Figure 3-11

3. Reinsert cotter pin (a) through this hole and chute control rod as shown in Figure 3-11.

- Grasp indented portion of chute control rod and manually rotate chute assembly to the right or to the left. See Figure 3-12.

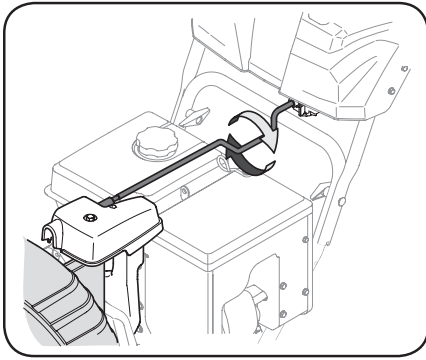


Figure 3-12

Overhead Chute Directional Control (With Flex Shaft) (If Equipped)

The overhead chute directional control is located at the rear of the unit towards the left side under the handle panel. To change direction in which snow is thrown, rotate chute directional control. See Figure 3-13.

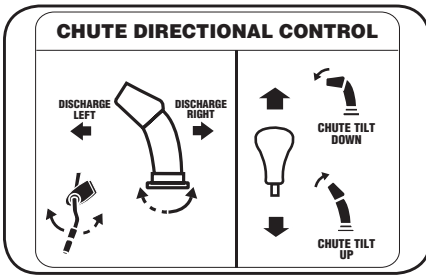


Figure 3-13

Two-Way Chute-Pitch Control™ (If Equipped)

The two-way chute-pitch control is located on the left side of the dash panel and is used to control the distance of snow discharge from the chute.

- To change the upper chute angle to control the distance that snow is thrown, pivot the lever forward or backward.
- Move the lever forward to pivot the upper chute down and reduce the distance snow is thrown. See Figure 3-13.
- Move the lever rearward to pivot the upper chute upward and increase the distance snow is thrown.

Starting and Stopping the Engine



WARNING! Always keep hands and feet clear of moving parts. Do not use a pressurized starting fluid. Vapors are flammable.

Refer to the Engine Operator's Manual for instructions on starting and stopping the engine.

To Engage Drive

- With the throttle control in the Fast (rabbit) position, move the shift lever into one of the six forward (F) positions or two reverse (R) positions. Select a speed appropriate for the snow conditions and a comfortable pace.
- Squeeze the drive control lever against the handle and the snow thrower will move. Release it and drive motion will stop.

To Engage Augers

To engage the augers and start throwing snow, squeeze the auger control lever against the left handle. Release to stop the augers.

To Steer (If Equipped)

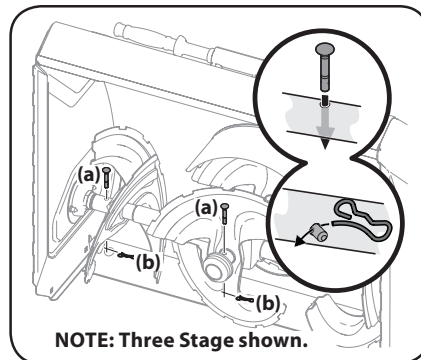
With the drive control lever engaged, squeeze the right steering trigger control to turn right. Squeeze the left steering trigger control to turn left.



CAUTION: Operate the snow thrower in open areas and at slow speeds until you are familiar with the drive control and comfortable operating the steering controls.

Replacing Shear Pins

The augers are secured to the spiral shaft with shear pins (a) and cotter pins (b). If the auger should strike a foreign object or ice jam, the snow thrower is designed so that the pins may shear. If the augers will not turn, check to see if the pins have sheared. See Figure 3-14.



NOTE: Three Stage shown.

Figure 3-14

IMPORTANT: On 3-stage units, there is an additional shear pin in the rear accelerator.



CAUTION: NEVER replace the auger shear pins with anything other than OEM Part No. 738-04124A replacement shear pins. Any damage to the auger gearbox or other components as a result of failing to do so will NOT be covered by your snow thrower's warranty.



WARNING! Always turn OFF the snow thrower's engine and remove the key prior to replacing shear pins.

Clearing a Clogged Chute Assembly



WARNING! Never use your hands to clear a clogged chute assembly. Shut OFF engine and remain behind handles until all moving parts have stopped before unclipping.

The chute clean-out tool is conveniently fastened to the rear of the auger housing with a mounting clip. Should snow and ice become lodged in the chute assembly during operation, proceed as follows to safely clear the chute assembly and chute opening:

- Release both the Auger Control Lever and the Drive Control Lever.
- SHUT THE ENGINE OFF! Refer to the Engine Operator's Manual. Remove the safety key.
- Remove clean-out tool from the clip which secures it to the rear of the auger housing.
- Use the shovel-shaped end of the clean-out tool to dislodge and scoop any snow and ice which has formed in and near the chute assembly. Always use the clean-out tool (Part # 931-2643), not your hands. Refer to the separate supplement for clean-out tool ordering information.
- Refasten the clean-out tool to the mounting clip on the rear of the auger housing, reinsert the safety key and start the snow thrower's engine.

While standing in the operator's position (behind the snow thrower), engage the auger control lever for a few seconds to clear any remaining snow and ice from the chute assembly.



WARNING! Before servicing, repairing or inspecting the snow thrower, disengage the auger control lever. Stop the engine and remove the safety key to prevent unintended starting.

Maintenance

Engine

Refer to Engine Operator’s Manual.

Tire Pressure

Refer to Assembly & Set-up section (page 14) for information regarding tire pressure.

Shave Plate and Skid Shoes

The shave plate and skid shoes on the bottom of the snow thrower are subject to wear. They should be checked periodically and replaced when necessary.

NOTE: Deluxe skid shoes (on select models) have two wear edges. When one side wears out, they can be rotated 180° to use the other edge.

To remove skid shoes (Deluxe shown):

1. Remove four carriage bolts (a) and hex flange nuts (b) and flat washers (c) which secure them to the unit.
2. Rotate and reassemble new skid shoes with four carriage bolts (a) (two on each side) and hex flange nuts (b) and flat washers (c). Refer to Figure 4-1.

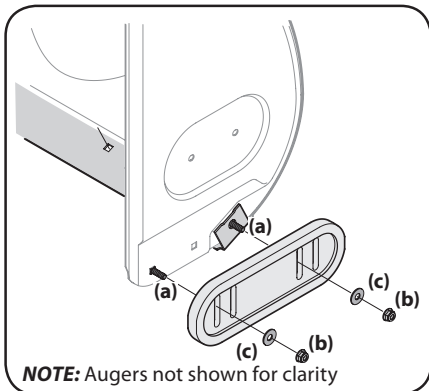


Figure 4-1

To remove shave plate:

1. Allow the engine to run until it is out of fuel. Do not attempt to pour fuel from the engine.
2. Carefully pivot unit up and forward so that it rests on the auger housing.
3. Remove carriage bolts (a) and hex nuts (b) which attach it to auger housing. See Figure 4-2.
4. Reassemble new shave plate, making sure heads of carriage bolts are to the inside of housing. Tighten securely. See Figure 4-2.

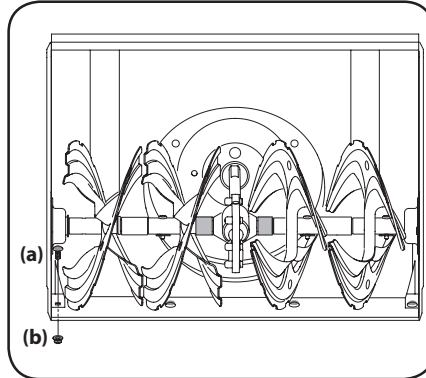


Figure 4-2

NOTE: The shave plate on select units (shown in Figure 4-3) have a wear edge that can be adjusted forward to prolong its life. As the shave plate wears, it can be moved into a second position.

To move adjustable shave plate (if equipped):

1. Allow engine to run until it is out of fuel. Do not attempt to pour fuel from the engine.
2. Carefully pivot unit up and forward so that it rests on auger housing.
3. Loosen rear skid shoe bolts (a) on both sides of equipment housing and remove carriage bolts and hex nuts which attach shave plate to auger housing. See Figure 4-3.
4. Slide shave plate downward into second position. Reinstall and tighten all bolts securely. See Figure 4-3.

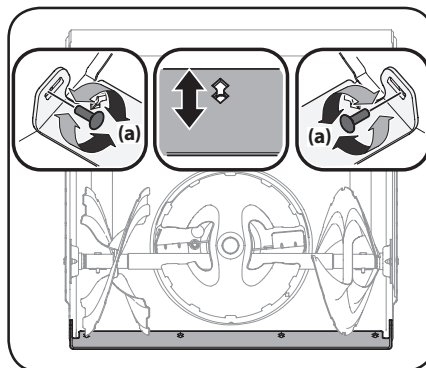


Figure 4-3

Lubrication

Gear Shaft

The gear (hex) shaft should be lubricated at least once a season or after every twenty-five (25) hours of operation.

1. Allow engine to run until it is out of fuel.
2. Carefully pivot unit up and forward so that it rests on auger housing.
3. Remove frame cover from underside of unit by removing self-tapping screws (a) which secure it. Refer to Figure 4-4.

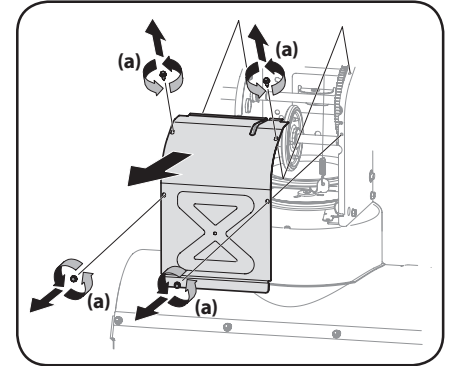


Figure 4-4

4. Apply a light coating of Bostik Regular Grade Never-Seez® to hex shaft. See Figure 4-5.

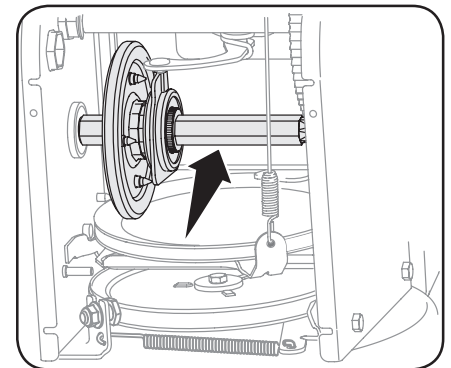


Figure 4-5

NOTE: When lubricating hex shaft, be careful not to get any lubricant on aluminum drive plate or rubber friction wheel. Doing so will hinder unit’s drive system. Wipe off any excess or spilled lubricant .

Wheels

At least once a season, remove both wheels. Clean and coat axles with a multipurpose automotive grease before reinstalling wheels.

Chute Directional Control (If Equipped)

Once a season, lubricate eye-bolt bushing and the spiral with 3-in-1 oil.

Auger Shaft

At least once a season, remove shear pins (a) and cotter pins (b) from auger shaft(s). Spray lubricant inside shaft and around spacers and flange bearings found at either end of shaft(s). See Figure 4-6.

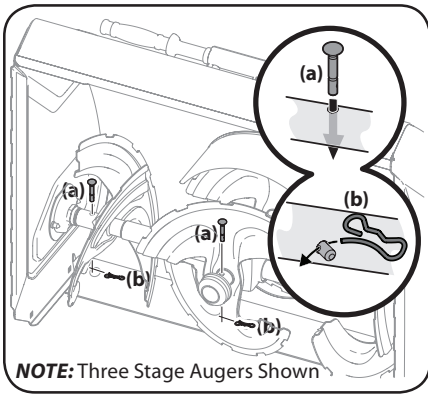


Figure 4-6

IMPORTANT: On 3-stage units, there is an additional shear pin in the rear accelerator.

Adjustments

Shift Rod (If Equipped)

If full range of speeds (forward and reverse) cannot be achieved, adjust shift rod as follows:

1. Place shift lever in fastest forward speed position.
2. Remove cotter pin (a) and washer (b) from adjustment ferrule on shift rod and pull it out from shift lever. See Figure 4-7.

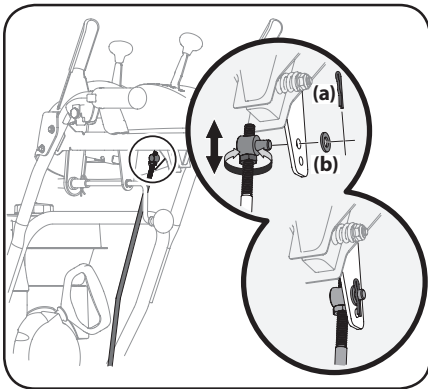


Figure 4-7

3. Pivot shift bracket downward as far as it will go. See Figure 4-8.

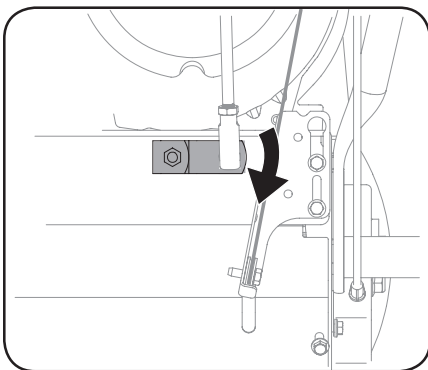


Figure 4-8

4. Rotate ferrule up or down on shift rod as necessary until it lines up with upper hole in shift lever. Refer to Figure 4-7 inset.
5. Insert the ferrule into the upper hole and secure with the washer and cotter pin.

Shift Cable (If Equipped)

If full range of speeds (forward and reverse) cannot be achieved, adjust shift cable as follows:

1. Place shift lever in fastest forward speed position.
2. Loosen hex nut (a) on shift cable index bracket. See Figure 4-9.

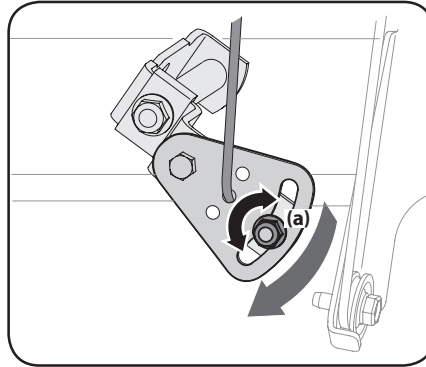


Figure 4-9

3. Pivot bracket downward to take up slack in cable.
4. Retighten hex nut.

Auger Control

Refer to Assembly & Set-up section for instructions on adjusting auger control cable.

Skid Shoes

Refer to Assembly & Set-up section (page 15) for instructions on adjusting skid shoes.

Drive Control Lever

When drive control lever is released and in disengaged "UP" position, cable should have very little slack. It should NOT be tight.

NOTE: If excessive slack is present in drive cable or if unit's drive is disengaging intermittently during operation, the cable may be in need of adjustment.

Check adjustment of drive control levers as follows:

1. With drive control lever released, push unit gently forward. It should roll freely.
2. Engage drive control lever and gently attempt to push the unit forward. The wheels should not turn. The unit should not roll freely.
3. If equipped with a shift lever, with drive control lever released, move shift lever back and forth between the R2 position and the F6 position several times. There should be no resistance in the shift lever.

If any of the above tests failed, the drive cable is in need of adjustment. Proceed as follows:

1. Shut OFF engine. Refer to the Engine Operator's Manual.
2. Loosen lower hex screw (a) on drive cable bracket. See Figure 4-10.

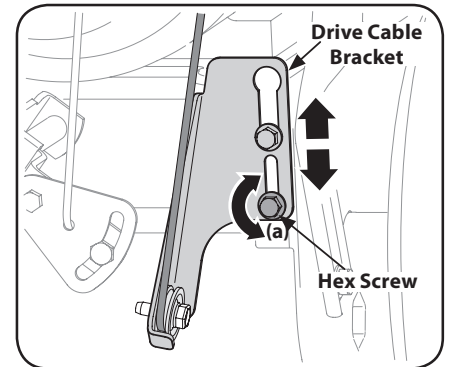


Figure 4-10

3. Position bracket upward to provide more slack (or downward to increase cable tension).
4. Retighten upper hex screw.
5. Check adjustment of drive control lever as described above to verify proper adjustment has been achieved.

Chute Bracket (If Equipped)

If spiral at bottom of the chute directional control is not fully engaging with chute assembly, chute bracket needs to be adjusted. To do so:

1. Loosen two nuts (a) which secure chute bracket and reposition it slightly. See Figure 4-11.

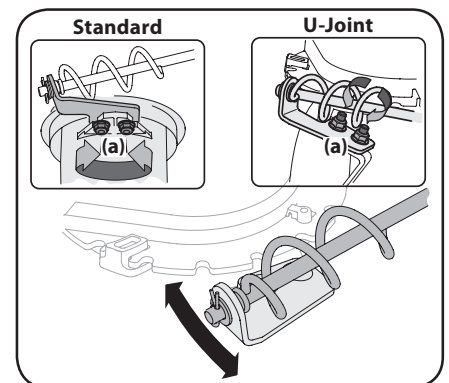


Figure 4-11

2. Retighten nuts.

Chute Control Rod (Two Way & Four Way Chute Control) (If Equipped)

To adjust chute control rod for increased engagement into the handle panel control, proceed as follows:

1. Remove hairpin clip (a) from hole closest to chute assembly on chute rotation assembly.
2. Pull out chute control rod until hole in it lines up with second hole in chute rotation assembly. See Figure 4-12.

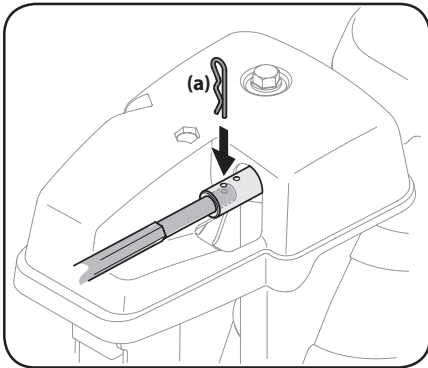


Figure 4-12

3. Reinsert hairpin clip (a) through this hole and chute control rod.

Chute Assembly

Refer to Assembly & Set-up section (page 15) for instructions on adjusting chute assembly.

Chute Assembly (Overhead Chute Control) (If Equipped)

If chute fails to remain stationary during operation, pre-load of chute can be adjusted by tightening hex nut found on front of chute control assembly.

1. To increase preload, tighten hex nut (a) clockwise in 1/4 turn intervals. The chute control rod will need to be held stationary when tightening the nut. See Figure 4-13.

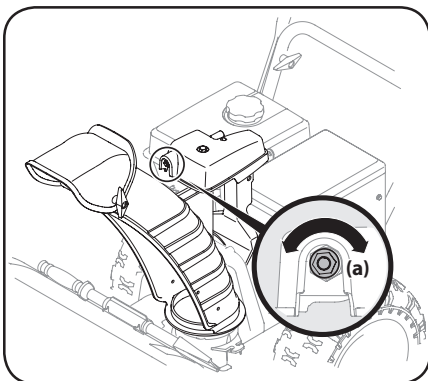


Figure 4-13

2. If chute directional control is difficult to crank, decrease preload by loosening hex nut counter-clockwise in 1/4 turn intervals.

Belt Replacement Auger Belt

To remove and replace auger belt, proceed as follows:

1. Allow engine to run until it is out of fuel. Do not attempt to pour fuel from engine.
2. Remove plastic belt cover on front of engine by removing two self-tapping screws (a). See Figure 4-14.

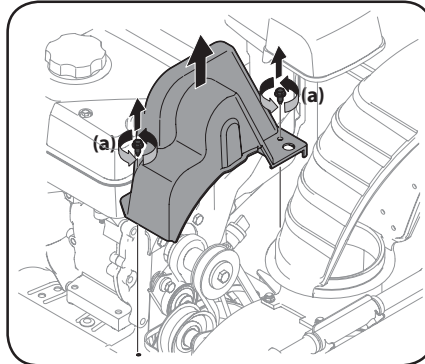


Figure 4-14

NOTE: On models equipped with the LED headlight on top of the auger housing, make sure to unplug the wire harness before removing the belt cover as shown in Figure 4-15.

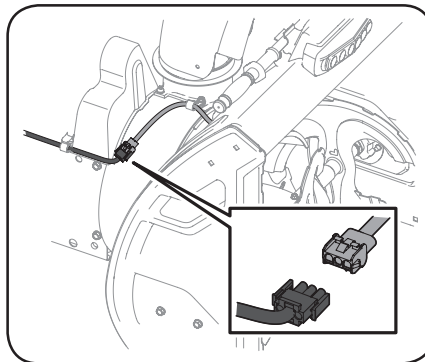


Figure 4-15

3. Loosen and remove two bolts (a) and flat washers (b) securing belt guide. Remove belt guide. See Figure 4-16.

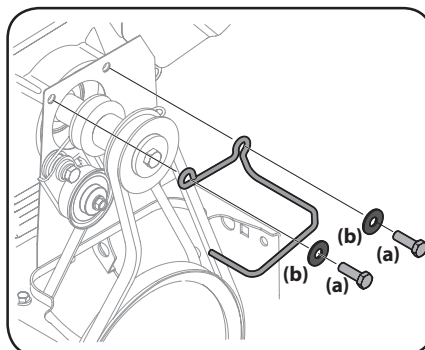


Figure 4-16

4. Roll auger belt off engine pulley. See Figure 4-17.

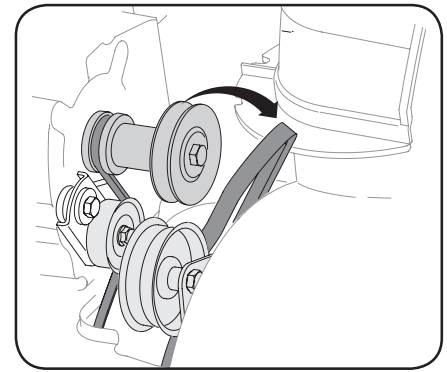


Figure 4-17

5. Carefully pivot the unit up and forward so that it rests on the auger housing.
6. Remove frame cover from underside of unit by removing self-tapping screws which secure it. See Figure 4-4.
7. Loosen and remove shoulder bolt (a) which acts as a belt keeper. See Figure 4-18.

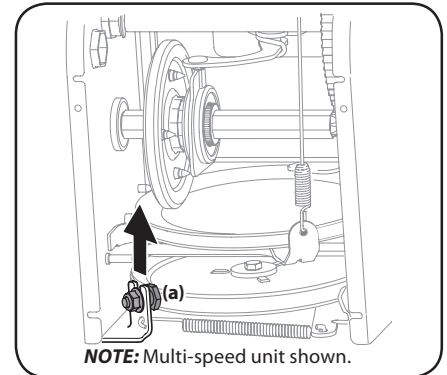


Figure 4-18

8. Remove belt from around auger pulley, and slip it between support bracket and auger pulley. See Figure 4-19.

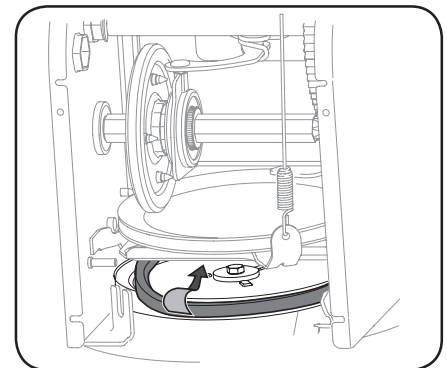


Figure 4-19

NOTE: Engaging auger control will ease removal and reinstallation of belt.

9. Replace auger belt by following instructions in reverse order.

NOTE: Make sure to reinstall shoulder bolt (a) and reconnect spring to frame after installing a replacement auger belt. Refer to Figure 4-18.

- After replacing auger belt, perform Auger Control test in Assembly & Set-Up section (page 15).

Drive Belt

NOTE: See your authorized service dealer to have drive belt replaced or contact Customer Support.

Friction Wheel Inspection (Steerable 500 Series & Non-Steerable Single Speed 600 Series)

If unit fails to drive with drive control lever engaged, and performing drive control cable adjustment fails to correct problem, the friction wheel may need to be replaced.

NOTE: Special tools are required and several components must be removed in order to replace the unit's friction wheel rubber. See your authorized service dealer to have friction wheel rubber replaced or contact Customer Support.

To inspect friction wheel, proceed as follows:

- Allow engine to run until it is out of fuel. Do not attempt to pour fuel from engine.
- Carefully pivot unit up and forward so that it rests on auger housing.
- Remove frame cover from underside of unit by removing four self-tapping screws which secure it. See Figure 4-4.
- Inspect friction wheel for signs of wear or cracking.

Friction Wheel Removal (Multi-Speed Non-Steerable 600 Series)

If unit fails to drive with drive control lever engaged, and performing drive control cable adjustment fails to correct the problem, friction wheel may need to be replaced. Follow the instructions below. Examine friction wheel for signs of wear or cracking and replace if necessary.

- Allow engine to run until it is out of fuel. Do not attempt to pour fuel from engine.
- Place shift lever in first Forward (F1) position.
- Carefully pivot unit up and forward so that it rests on auger housing.
- Remove frame cover from underside of unit by removing self-tapping screws which secure it. See Figure 4-4. Remove right-hand wheel by removing screw and bell washer which secure it to axle. See Figure 4-20.

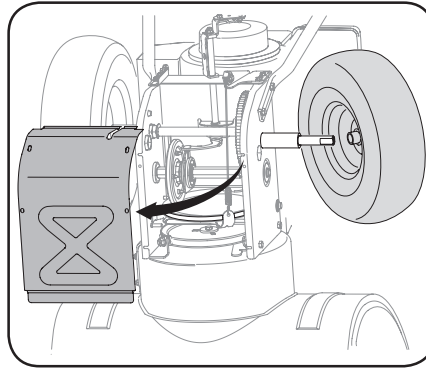


Figure 4-20

- Carefully remove hex nut (a) which secures hex shaft to equipment frame and lightly tap the shaft's end to dislodge ball bearing from right side of frame. See Figure 4-21.

NOTE: Be careful not to damage threads on shaft.

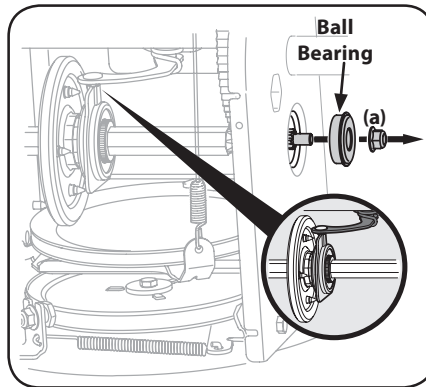


Figure 4-21

- Carefully position hex shaft downward and to left before carefully sliding friction wheel assembly off shaft. See Figure 4-22.

NOTE: If you're replacing friction wheel assembly as a whole, discard the worn part and slide new part onto hex shaft.

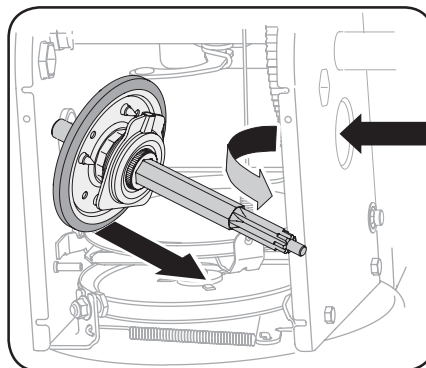


Figure 4-22

- Follow previous steps in reverse order to reassemble components.
- Perform Drive Control Lever test shown on page 21.

If you're disassembling friction wheel and replacing only rubber ring, proceed as follows:

NOTE: Not all friction wheels are serviceable. If this is the case, simply replace friction wheel assembly.

- Remove four screws (a) which secure friction wheel's side plates together. See Figure 4-23.

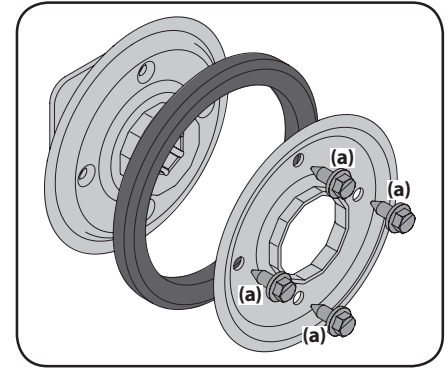


Figure 4-23

- Remove rubber ring from between the plates.
- Reassemble side plates with a new rubber ring.

NOTE: When reassembling friction wheel assembly, make sure that rubber ring is centered and seated properly between the side plates. Tighten each screw only one rotation before turning wheel clockwise and proceeding with next screw. Repeat this process several times to ensure plates are secured with equal force (between 145-115 in-lbs).

NOTE: Make sure shift lever pin is in place in bearing housing. See Figure 4-21 inset.

- Slide friction wheel assembly back onto hex shaft and follow the steps above in reverse order to reassemble components.
- After replacing friction wheel, perform Drive Control Lever test shown on page 21.

Off-Season Storage

If the unit will not be used for 30 days or longer, follow the storage instructions below.

- Run engine until fuel tank is empty and it stops due to lack of fuel. Do not attempt to pour fuel from engine.

NOTE: Refer to Engine Operator's Manual for information on storing your engine.
- Lubricate machine as instructed on page 20.
- Store in a clean, dry area.
- If storing unit in an unventilated area, rustproof machine using a light oil or silicone to coat the snow thrower.
- Clean the exterior of the engine and the snow thrower.

IMPORTANT: When storing unit or when it is not being serviced, it is to remain in the operating position with both wheels and auger housing on the ground.

Problem	Cause	Remedy
Engine fails to start	<ol style="list-style-type: none"> 1. Choke not in CHOKE position. 2. Spark plug wire disconnected. 3. Fuel tank empty or stale fuel. 4. Engine not primed. 5. Faulty spark plug. 6. Safety key not in switch. 7. Extension cord not connected (when using electric start button, on models equipped) 	<ol style="list-style-type: none"> 1. Move choke to CHOKE position. 2. Connect wire to spark plug. 3. Fill tank with clean, fresh fuel. 4. Prime engine as instructed in Engine Manual. 5. Clean, adjust gap or replace. 6. Insert safety key fully into switch. 7. Connect one end of extension cord to electric starter outlet and other end to a three-prong 120V, grounded, AC outlet.
Engine running erratically/ inconsistent RPM (hunting or surging)	<ol style="list-style-type: none"> 1. Engine running on CHOKE. 2. Stale fuel. 3. Water or dirt in fuel system. 4. Carburetor out of adjustment. 5. Engine over-governed. 	<ol style="list-style-type: none"> 1. Move choke lever to RUN position. 2. Fill tank with clean, fresh fuel. 3. Drain fuel tank. Refill with fresh fuel. 4. Contact an authorized Service Center. 5. Contact an authorized Service Center.
Engine overheats	<ol style="list-style-type: none"> 1. Engine oil level low. 	<ol style="list-style-type: none"> 1. Fill engine with proper amount of engine oil.
Excessive vibration	<ol style="list-style-type: none"> 1. Loose parts or damaged auger. 	<ol style="list-style-type: none"> 1. Stop engine immediately and disconnect spark plug wire. Tighten all bolts and nuts. If vibration continues, have unit serviced by an authorized Service Center.
Unit fails to propel itself	<ol style="list-style-type: none"> 1. Drive control cable in need of adjustment. 2. Drive belt loose or damaged. 3. Friction wheel worn. 	<ol style="list-style-type: none"> 1. Adjust drive control cable. Refer to Service section on page 21. 2. Replace drive belt. Refer to Service section on page 23. 3. Replace friction wheel. Refer to Service section on page 23.
Unit fails to discharge snow	<ol style="list-style-type: none"> 1. Chute assembly clogged. 2. Foreign object lodged in auger. 3. Auger control cable in need of adjustment. 4. Auger belt loose or damaged. 5. Shear pin(s) sheared. 	<ol style="list-style-type: none"> 1. Stop engine immediately and disconnect spark plug wire. Clean chute assembly and inside of auger housing with clean-out tool. Refer to Controls & Operation section on page 14. 2. Stop engine immediately and disconnect spark plug wire. Remove object from auger with clean-out tool. 3. Refer to Auger Control Test on page 11. 4. Refer to Service section on page 18. 5. Replace with new shear pin(s). Refer to Controls & Operation section on page 14.
Chute fails to easily rotate 180-200 degrees	<ol style="list-style-type: none"> 1. Chute assembled incorrectly. 	<ol style="list-style-type: none"> 1. Unassemble chute control and reassemble as directed in the Assembly & Set-up section.
Unit plows snow instead of blowing it	<ol style="list-style-type: none"> 1. Low/slow ground speed in wet/slushy snow 1-3" in depth. 2. Shear pin(s) sheared. 	<ol style="list-style-type: none"> 1. Increase ground speed and always operate snow thrower engine at FULL throttle. 2. Replace with new shear pin(s). Refer to Controls & Operation section on page 14.
Overhead chute crank does not stay stationary while throwing snow using an overhead chute control	<ol style="list-style-type: none"> 1. Insufficient preload applied to chute control. 	<ol style="list-style-type: none"> 1. Refer to the Service section on page 22 to adjust chute preload.