

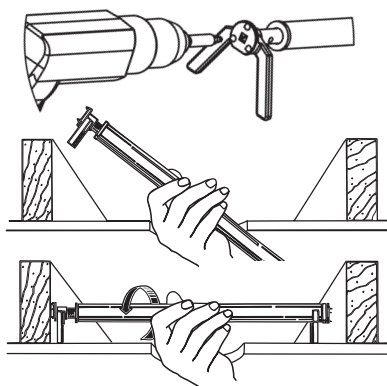
# Heavy Duty Ceiling Fan Brace Instructions - Remodeling Brace and 1-1/2" Deep Outlet Box For Ceiling Fan or Lighting Fixtures

Use only the hardware supplied to mount outlet box and fan/fixture bracket. Wiring must meet local and national codes. RACO's remodeling brace and outlet box combinations are UL listed for the following loads: 16" span - 70 lbs. fan/110 lbs. fixture, 24" span - 35 lbs. fan / 50 lbs. fixture.

**CAUTION:** Use care in installation to avoid knots in the wood, truss plates on trusses, as well as electrical wires, plumbing, heating ducts, and gas lines.

**Step 1 - WARNING:** Turn off power at circuit breaker or remove fuse.

**Step 2 -** Remove existing ceiling fixture, outlet box, and support bar. Not intended to replace bracket mounted ceiling outlet boxes. A 4-1/4" diameter hole will be required if there is no existing hole in the ceiling. (Make sure that electrical power can be provided to location)



**Step 3 -** Determine joist spacing. Using power screw driver with Phillips drive, rapidly expand bar support to within 1/4" of joist spacing measurement. 2 colored spots on threaded rod provide quick reference for common 16" and 24" centers.

**Step 4 -** Insert brace through opening. Center brace over ceiling opening at 90° angle to ceiling joists as shown below.

**Step 5 -** With the brace positioning feet resting on the top of the ceiling, turn the round tube with one hand to expand the brace toward the joists. After contact with the joists, make sure brace is still centered in opening, and turn the round tube 5 to 6 full turns to embed the spikes on the ends of the brace into the joist.

**Step 6 -** Thread two #10-32 x 5/8" screws into strap at locations marked "keyhole" as shown. Position strap securely onto brace tube, centered in opening.

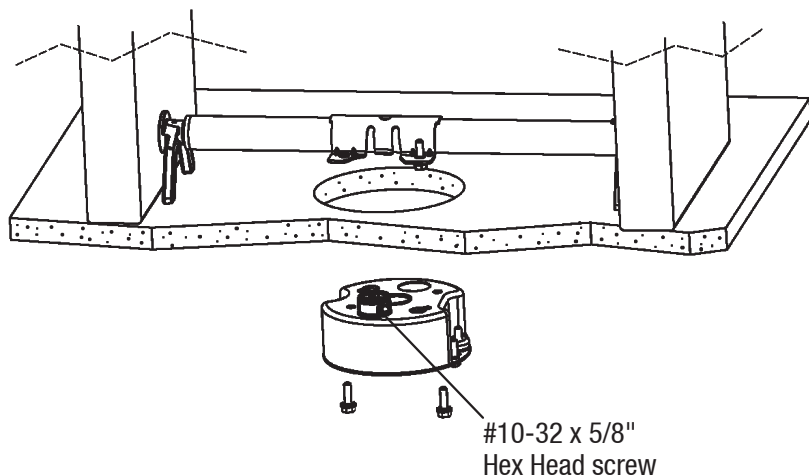
**Step 7 -** Remove desired knockout in box. Push cable through knockout. Position outlet box on brace by aligning the two keyholes of the outlet box to the two #10-32 x 5/8" Hex Head screws of mounting strap on the tube. Fasten outlet box securely to mounting strap, then assemble two additional #10-32 x 5/8" Hex Head screws to box and mounting strap. Slide INSIDER® Nonmetallic cable connector onto cable and snap into knockout.

**Step 8 -** Secure the fan or fixture to outlet box by inserting the screws provided into the threaded mounting features.

Use 2 x #10 (Grade 5) fan mounting screws if mounting a fan or fixture over 50 lbs. Use 8-32 screws (not provided) if mounting a fixture less than 50 lbs.

**WARNING:** Fan mounting screws and box mounting screws furnished with the outlet box must be used.

**Step 9 -** Complete wiring according to the instructions provided with the fan or fixture. Turn power on.



U.S. PATENTS 6,595,479  
AND 7,148,420

RA-343 Instr