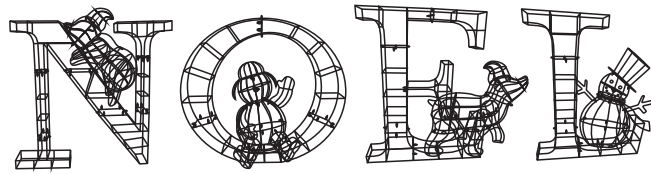




Item # W12N0046
Model # 1003144373

USE AND CARE GUIDE

4 ft 6 in LED NOEL Sign with Polar Bear and Snowman



THANK YOU

We appreciate the trust and confidence you have placed in Home Accents through the purchase of this Twinkling NOEL W/Snowman & Polar Bear. We strive to continually create quality products designed to enhance your home. Visit us online to see our full line of products available for your home improvement needs. Thank you for choosing Home Accents!



Questions, problems, missing parts? Before returning to the store, call Home Accents Holiday Customer Service 8 a.m.-6 p.m., EST, Monday-Friday

1-877-527-0313

HOMEDEPOT.COM

Safety Information

IMPORTANT SAFETY INSTRUCTIONS

When using electrical products, basic precautions should always be followed. Please read and follow all safety instructions prior to use.

READ AND FOLLOW ALL SAFETY INSTRUCTIONS.

- Do not use seasonal products outdoors unless marked suitable for indoor and outdoor use. When products are used for outdoor applications, connect the product to a Ground Fault Circuit Interrupting (GFCI) outlet. If one is not provided, contact a qualified electrician for proper installation.
- This seasonal-use product is not intended for permanent installation or use.
- Unplug the product when leaving the house, when retiring for the night, or if left unattended.
- Do not use this product for other than its intended purpose.
- Do not hang ornaments or other objects from cord, wire, or light string.
- Do not let the lamps rest on the supply cord or on any wire.
- This product is equipped with push-in type lamps. Do not twist the lamps.
- This product employs overload protection (fuse). A blown fuse indicates an overload or short-circuit situation. If the fuse blows, unplug the product from the outlet. Also, unplug any additional strings or products that may be attached to the product. Replace the fuse as per the instructions listed in this manual (follow product marking for proper fuse rating), and check the product. If the replacement fuse blows, a short-circuit may be present and the product should be discarded.

SAVE THESE INSTRUCTIONS.

WARNING: To avoid the risk of fire, burns, personal injury, and electric shock, this product should not be used as a toy and should be kept away from small children.

WARNING: To avoid the risk of fire, burns, or personal injury, do not cover the product with cloth, paper, or any material not part of the product when in use.

CAUTION: Do not place or mount the product near gas or electric heaters, fireplaces, candles, or other similar sources of heat.

CAUTION: Grasp the plug to insert or remove from the power source. Do not unplug by pulling on the cord.

CAUTION: The lighting string on this product is rated at 66 Watts (0.55 Amps). Do not overload. Do not connect to another lighting string, decorative outfit, or other product.

CAUTION: Before you use or re-use this product, inspect it carefully. Discard if the product has cuts, damage, frayed wire insulation on cords, cracks in the socket enclosures, loose connections, or exposed copper wire.

CAUTION: Do not secure the wiring of the product with staples or nails, or place on sharp hooks.

CAUTION: To avoid the risk of overheating, replace burned-out lamps promptly. Use 4.0/3.0 Volt, 0.08/0.06 Watt LED lamps only.

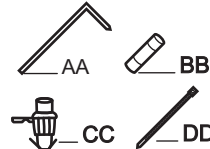
CAUTION: Do not close doors or windows on the product or extension cords, as this may damage the wire insulation.

Pre-Assembly

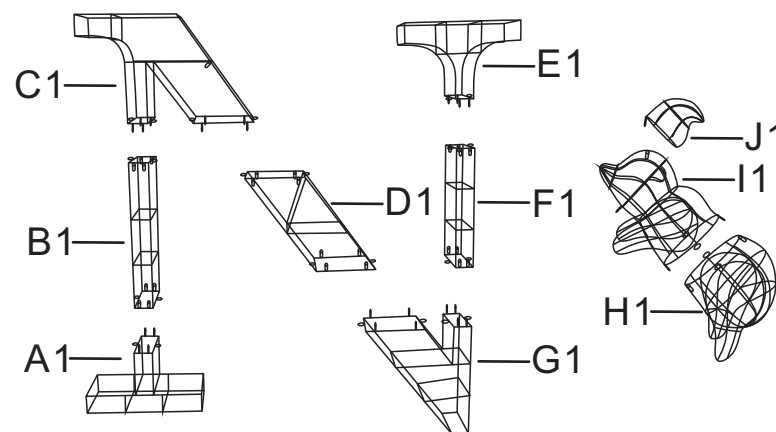
PLANNING ASSEMBLY

Carefully remove all the parts from the box, and place them on a flat surface. Read the entire manual prior to assembly, and identify all the parts included in the package against the parts list. If any parts are missing or damaged, do not attempt assembly, but contact our customer service center.

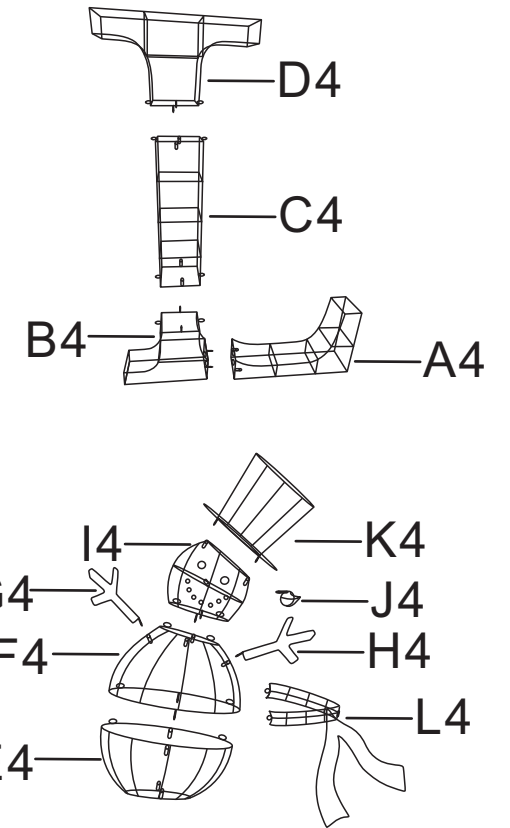
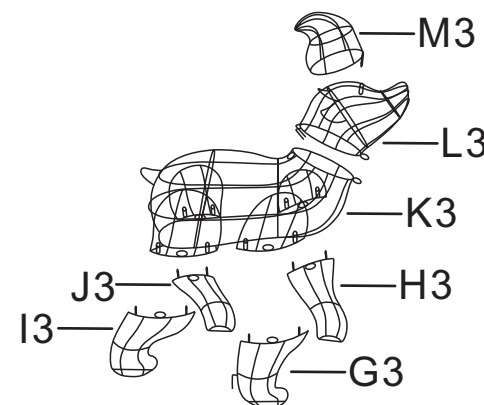
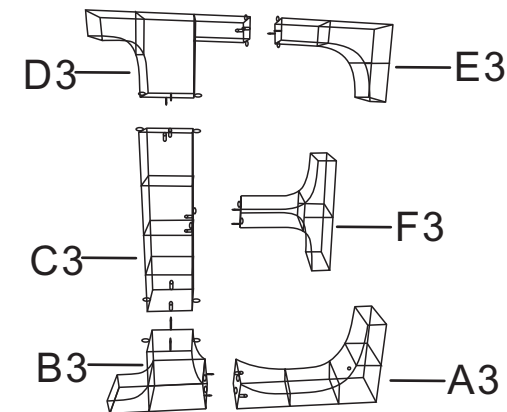
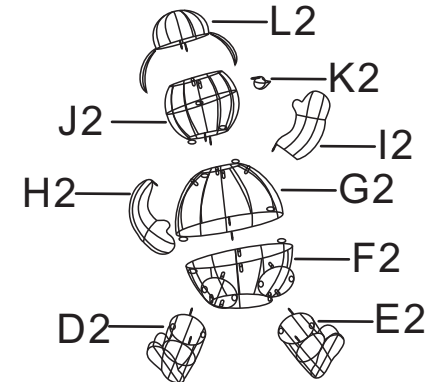
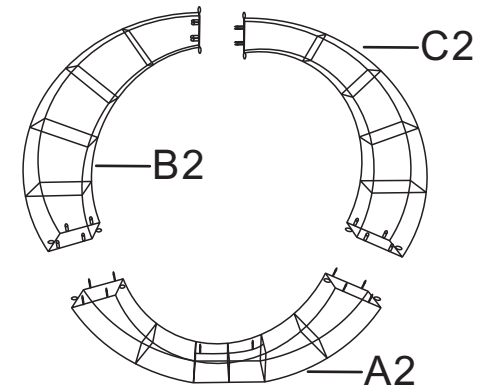
HARDWARE INCLUDED



PACKAGE CONTENTS



Part	Description	Quantity
AA	Ground stake	20
BB	Fuse	16
CC	Replacement Bulb	32
DD	Plastic Tie	80

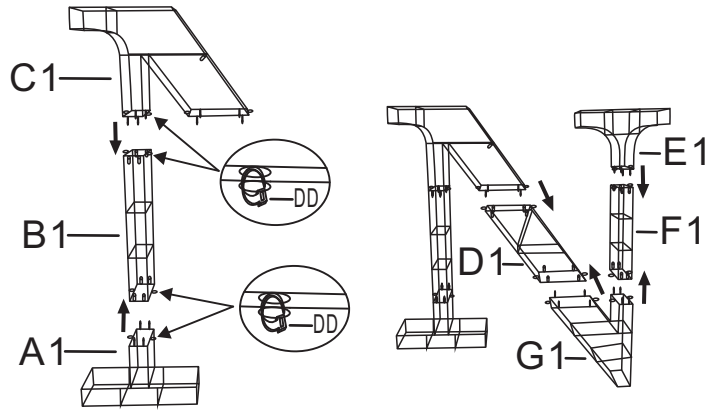


Part	Description	Quantity
A1	Section 1 of N	1
B1	Section 2 of N	1
C1	Section 3 of N	1
D1	Section 4 of N	1
E1	Section 5 of N	1
F1	Section 6 of N	1
G1	Section 7 of N	1
H1	Lower body of Polar bear 1	1
I1	Upper body of Polar bear 1	1
J1	Hat of Polar bear 1	1
A2	Section 1 of O	1
B2	Section 2 of O	1
C2	Section 3 of O	1
D2	Right foot of Snowman 1	1
E2	Left foot of Snowman 1	1
F2	Lower body of Snowman 1	1
G2	Upper body of Snowman 1	1
H2	Right arm of Snowman 1	1
I2	Left arm of Snowman 1	1
J2	Head of Snowman 1	1
K2	Nose of Snowman 1	1
L2	Hat of Snowman 1	1
A3	Section 1 of E	1
B3	Section 2 of E	1
C3	Section 3 of E	1
D3	Section 4 of E	1
E3	Section 5 of E	1
F3	Section 6 of E	1
G3	Right front leg of Polar bear 2	1
H3	Left front leg of Polar bear 2	1
I3	Right hind leg of Polar bear 2	1
J3	Left hind leg of Polar bear 2	1
K3	Body of Polar bear 2	1
L3	Head of Polar bear 2	1
M3	Hat of Polar bear 2	1
A4	Section 1 of L	1
B4	Section 2 of L	1
C4	Section 3 of L	1
D4	Section 4 of L	1
E4	Lower body of Snowman 2	1
F4	Upper body of Snowman 2	1
G4	Right arm of Snowman 2	1
H4	Left arm of Snowman 2	1
I4	Head of Snowman 2	1
J4	Nose of Snowman 2	1
K4	Hat of Snowman 2	1
L4	Scarf of Snowman 2	1

Assembly

1 Assembling the N

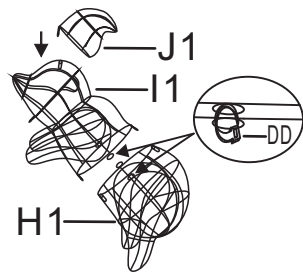
- Insert the Section 1 of N (A1) into the Section 2 of N (B1). Insert the Section 3 of N (C1) into the Section 2 of N (B1). Secure with plastic tie (DD). Repeat above steps with other sections (D1, E1, F1, G1) of N.



Assembly

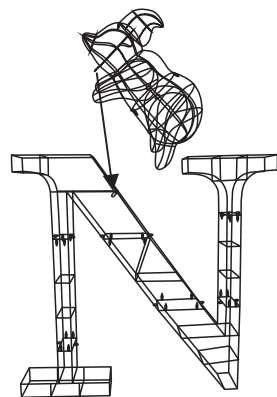
2 Assembling the Polar bear 1

- Insert the pins on the Upper body of polar bear 1 (I1) into the tube on the Lower body of polar bear 1 (H1). Secure with plastic ties (DD).
- Insert the Hat (J1) into the head of Upper body of polar bear 1 (I1).



3 Finishing Assembly of N

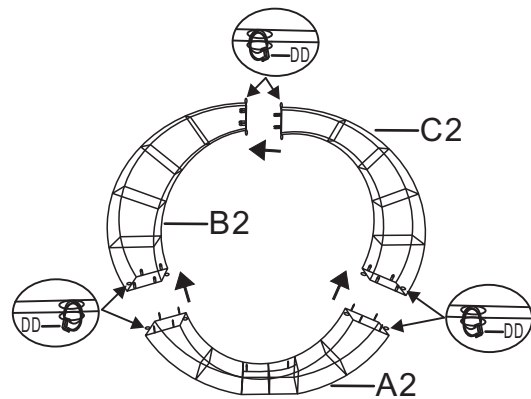
- Hang the assembled polar bear 1 on the tube on the assembled N.



Assembly

4 Assembling the O

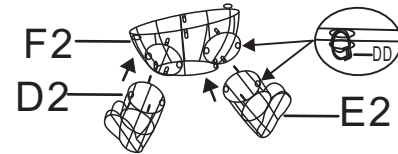
- Insert the Section 1 of O (A2) into the Section 2 of O (B2). Insert the Section 1 of O (A2) into the Section 3 of O (C2). Insert the Section 3 of O (C2) into the Section 2 of O (B2). Secure with plastic ties (DD).



Assembly

5 Assembling the Snowman 1

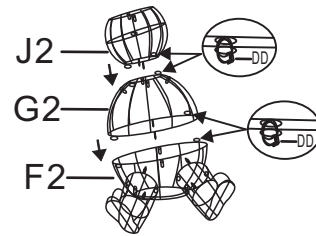
- Insert two feet (D2, E2) into the Lower body (F2). Secure with plastic ties (DD).



Assembly

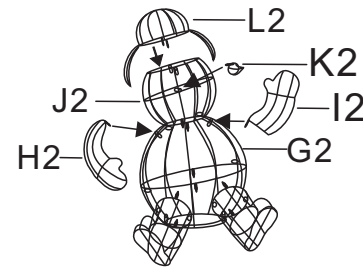
6 Assembling the Snowman 1

- Insert the pins on the Upper body of snowman 1 (G2) into the tube on the Lower body of snowman 1 (F2). Secure with plastic ties (DD).
- Insert the Head (J2) into the Upper body of snowman 1 (G2). Secure with plastic ties (DD).



7 Assembling the Snowman 1

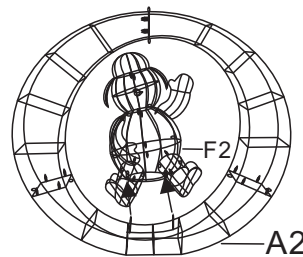
- Insert two hands (H2, I2) into the corresponding hole on the Upper body (G2).
- Insert the hat (J2) into the head (J2).
- Insert the nose (K2) into the head (J2).



Assembly

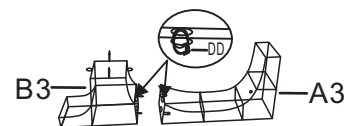
8 Finishing Assembly of O

- Insert the pins on the Section 1 of O (A2) into the tube on the Lower body of snowman 1 (F2).



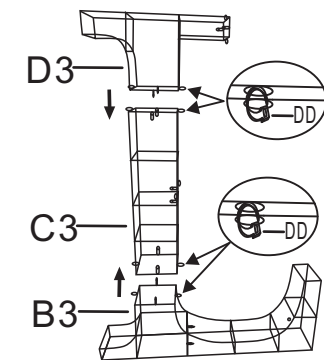
9 Assembling the E

- Insert section 2 of E (B3) into the section 1 of E (A3). Secure with plastic ties (DD).

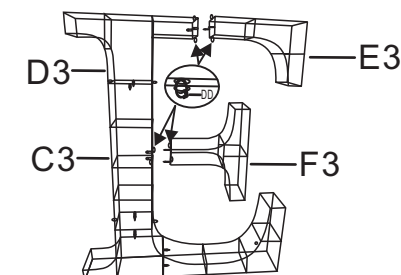


10 Assembling the E

- Insert the section 2 of E (B3) into the section 3 of E (C3). Secure with plastic ties (DD).
- Insert the section 4 of E (D3) into the section 3 of E (C3). Secure with plastic ties (DD).



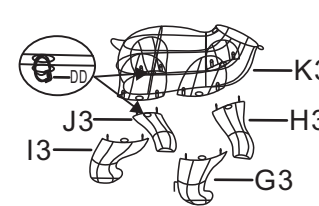
- Insert the section 5 of E (E3) into the section 4 of E (D3). Insert the section 6 of E (F3) into the section 3 of E (C3). Secure with plastic ties (DD).



Assembly

11 Assembling the Polar bear 2

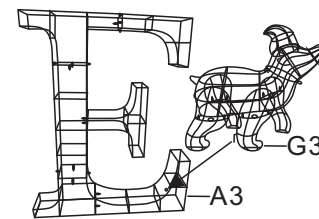
- Insert the four legs (G3, H3, I3, J3) into the body (K3). Secure with plastic ties (DD).



Assembly

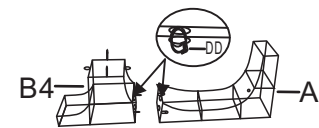
13 Finishing Assembly of E

- Insert the hook fixed on the leg (G3) into the hole on the section 1 of E (A3).



14 Assembling the L

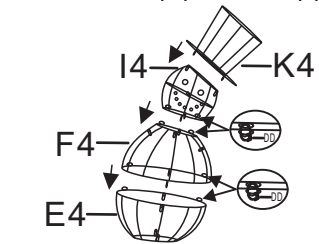
- Insert section 2 of E (B4) into the section 1 of E (A4). Secure with plastic ties (DD).



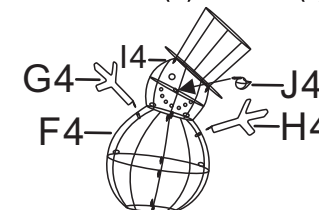
Assembly

16 Assembling the Snowman 2

- Insert the pins on the Upper body of snowman 2 (F4) into the tube on the Lower body of snowman 2 (E4). Secure with plastic ties (DD).
- Insert the Head (I4) into the Upper body of snowman 2 (F4). Secure with plastic ties (DD).
- Insert the Hat (K4) into the head (I4).

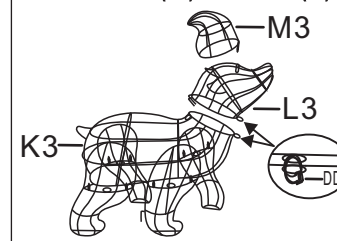


- Insert two hands (H4, J4) into the corresponding hole on the Upper body (F4).
- Insert the nose (J4) into the head (I4).



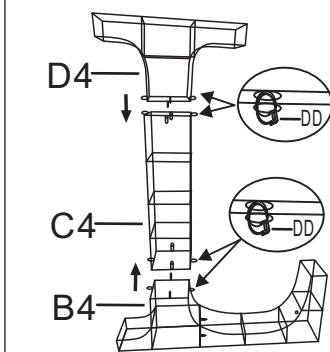
12 Assembling the Polar bear 2

- Hook the head (L3) on the body (K3). Secure with plastic tie (DD).
- Insert the hat (M3) into the head (L3).



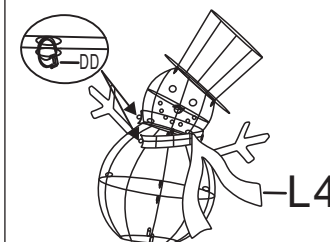
15 Assembling the L

- Insert the section 2 of E (B4) into the section 3 of E (C4). Secure with plastic ties (DD).
- Insert the section 4 of E (D4) into the section 3 of E (C4). Secure with plastic ties (DD). Please note assembled D4 in right direction. Please don't make the wire twisted.



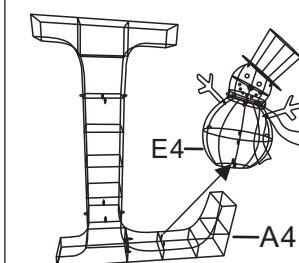
17 Assembling the Snowman 2

- Wrap the scarf (L4) on the neck of snowman 2. Secure with plastic ties (DD).



18 Finishing Assembly of L

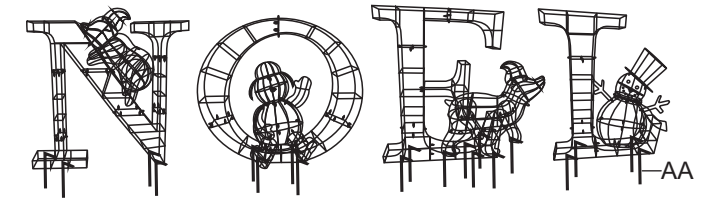
- Insert the pins on the Section 1 of L (A4) into the tube on the Lower body of snowman 2 (E4).



Assembly

19 Finishing Assembly of NOEL

- Put the assembled NOEL in proper place together. Insert the ground stakes (A2) through the Lower section of NOEL and four legs of polar bear 2 into the ground.
- Connect the power cords to a GFCI power outlet.

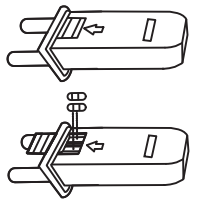


Maintenance

CAUTION: Ensure the product is disconnected from the power source before attempting to service. Use only approved fuses. Do not replace the attachment plug, as it contains a safety device that should not be removed.

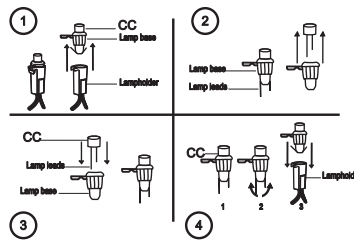
REPLACING FUSES OF POWER CORD PLUG

- Grasp the plug and remove from the receptacle or other outlet device. Do not unplug by pulling on the cord.
- Open the fuse compartment by sliding the fuse access cover on the plug towards the blades, as shown.
- Carefully remove the fuse(s), and replace with the fuse(s) (BB) provided.
- Close the fuse compartment.



REPLACING BULBS

- Grasp the plug and remove from the receptacle or other outlet device. Do not unplug by pulling on the cord.
- Pull the old bulb and plastic base straight out of the lamp holder.
- Remove the bulb from the plastic base by straightening the bulb wires and pulling the bulb out.
- Insert the wires of the replacement bulb (CC) down through the plastic base, and press the bulb (CC) into the base. Bend the wires upward.
- Insert the replacement bulb (CC) and base into the socket. Do not twist.



Care and Cleaning

- When finished with use, carefully remove the product from its location, including trees, branches, or bushes. This helps to avoid any undue strain or stress on the product conductors, connections, and wires.
- If the product is placed on a tree, the tree should be well maintained, well secured, and stable.
- Wipe the unit with a damp cloth and allow the unit to dry before storing. Store the product neatly in a cool, dry location protected from sunlight.

UL Model No. L-142S