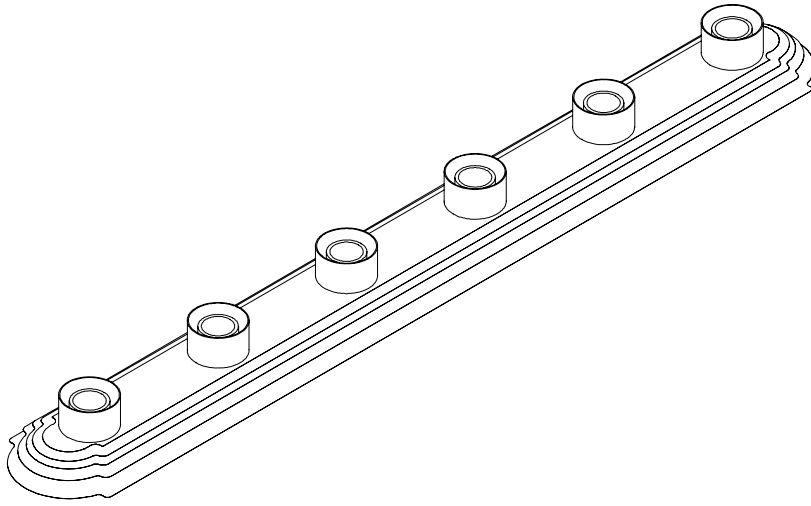




INSTRUCTION MANUAL BATH BAR

Chrome Finish

Home Depot SKU 644-291 (UPC008938102100)



Thank you for purchasing this Hampton Bay interior bath bar. This product has been manufactured with the highest standards of safety and quality.

FEATURES:

1. Designed with 6 - 100 watt bulb sockets.
2. Compatible with any standard 120 volt incandescent dimmer switch.
3. Wall mountable only.

QUESTIONS, PROBLEMS, MISSING PARTS:

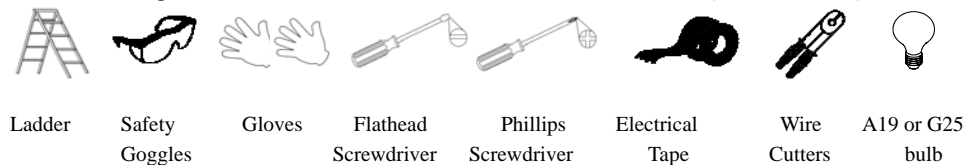
Before returning to your local Home Depot, please call our Customer Service Team at 1-877-527-0313 or visit www.homedepot.com. Please reference SKU 644-291, UPC 008938102100.

GENERAL:

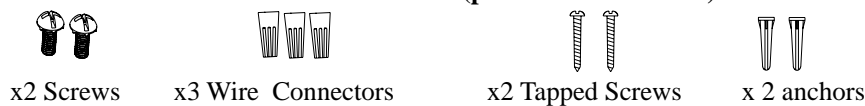
1. Be sure to read these installation instructions and review the diagrams thoroughly before installing this light fixture.
2. All electrical connections must be in accordance with local codes and the National Electrical Code. If you are unfamiliar with methods of installing electrical wiring, secure the services of a qualified licensed electrician.
3. This fixture is intended to be mounted to a 4" square x 2-1/8" deep metal octagon outlet box. The box must be directly supported by the building structure.
4. Before starting the installation, disconnect the power by turning off the circuit breaker or by removing the appropriate fuse at the fuse box. Turning the power off using the light switch is not sufficient to prevent electrical shock.
5. Keep your receipt and these Instructions for Proof of Purchase.

Note: The important safeguards and instructions appearing in this manual are not meant to cover all possible conditions and situations that may occur. It must be understood that common sense, caution and care are factors that cannot be built into any product. These factors must be supplied by the person(s) caring for, installing and operating the fixture. If at any time you are uncomfortable or are unsure of what to do, please contact a qualified licensed electrician for further assistance.

TOOLS REQUIRED FOR ASSEMBLY & INSTALLATION (not included):



PARTS INCLUDED FOR ASSEMBLY (parts are not to scale):



INSTALLATION INSTRUCTIONS:

1. Turn off the power by either turning off the breaker at the electrical panel or by removing the fuse from the fuse box.
2. If you are replacing an existing fixture, disconnect and remove the old fixture. Expose the supply wiring from the outlet box.
3. Remove the back mounting plate (A) from the front cover (B). Set aside for reassembly.
4. Fasten the back mounting plate (A) to the wall using the two anchors and tapped screws supplied. Or fasten the back mounting plate (A) to the outlet box using the two screws supplied with the outlet box. Your fixture is supplied with a back mounting plate with two keyhole slots for attachment to the front cover (B). It will be necessary to mark the location of the keyholes slots on the back mounting plate surface (A) and

- drill holes in the wall for the fasteners. The narrow end of the keyhole slot should face up.
5. Make electrical connections.

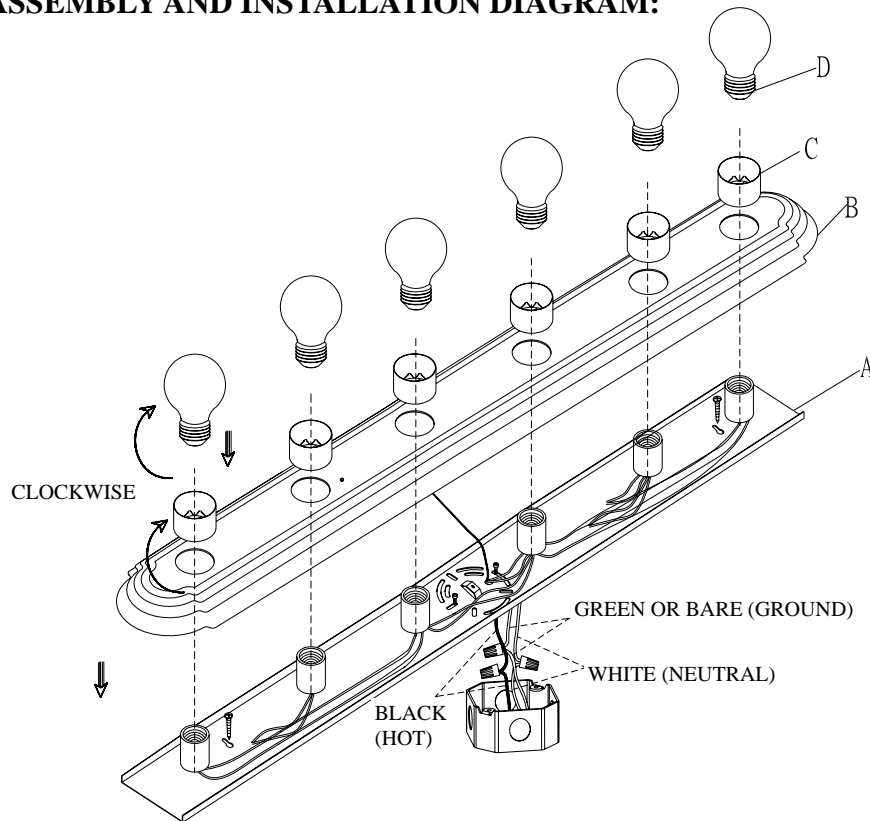
ELECTRICAL CONNECTIONS:

- a. Connect the white wire(s) from the fixture to the white wire of the supply circuit.
- b. Connect the black wire(s) from the fixture to the black wire of the supply circuit.
- c. Connect the green colored (or bare copper) wire to the grounding conductor of the supply circuit.
- d. Use U.L. Listed wire connectors suitable for the size, type and number of conductors. No loose strands or loose wires should be present.
- e. Secure wire connectors with U.L. Listed electrical tape.
- f. Carefully tuck connected wires back into the outlet box.

FINAL ASSEMBLY:

1. Spread the electrical splices so that the black wires are on one side of the outlet box and the white wires are on the other side.
 2. Place the front cover (B) against the back mounting plate (A). Push each socket cup (C) onto socket firmly against cover (B).
 3. Install light bulbs (D) (sold separately).
- CAUTION:** Refer to the re-lamping label located near the lamp holder for recommended maximum wattage. **DO NOT** exceed the recommended maximum wattage.
4. Restore electricity and check the operation of your new lighting fixture.

ASSEMBLY AND INSTALLATION DIAGRAM:



TROUBLE SHOOTING:

Problem	Possible Cause	Corrective Action
Light Bulb will not illuminate.	1. Light bulb is burned out.	1. Replace light bulb.
	2. Power is off.	2. Make sure power supply is on.
	3. Faulty wire connection.	3. Check wiring.
	4. Faulty switch.	4. Test or replace switch.
Fuse blows or circuit breaker trips when light bulb is illuminated.	Crossed wires or power wire is grounding out.	Check wire connections.

PRODUCT MAINTENANCE:

1. To clean the fixture, first disconnect power to the fixture by turning off the circuit breaker or by removing the fuse at the fuse box.
2. Use a dry or slightly dampened clean cloth (use clean water, never use a solvent) to wipe the interior and exterior surfaces of the fixture.
3. Allow the fixture to dry thoroughly before power is restored.

CAUTION: Do not use chemical solvents or harsh abrasives to clean fixture as damage to the fixture's finish or various components may occur.

LIMITED WARRANTY

The manufacturer warrants this lighting fixture to be free from defects in materials and workmanship for a period of three (3) years from date of purchase. This warranty applies only to the original consumer purchaser and only to products used in normal use and service. If this product is found to be defective, the manufacturer's only obligation, and your exclusive remedy, is the repair or replacement of the product at the manufacturer's discretion, provided that the product has not been damaged through misuse, abuse, accident, modifications, alterations, neglect or mishandling. This warranty shall not apply to any product that is found to have been improperly installed, set-up, or used in any way not in accordance with the instructions supplied with the product. This warranty shall not apply to a failure of the product as a result of an accident, misuse, abuse, negligence, alteration, or faulty installation, or any other failure not relating to faulty material or workmanship. This warranty shall not apply to the finish on any portion of the product, such as surface and/or weathering, as this is considered normal wear and tear. The manufacturer does not warrant and specially disclaims any warranty, whether express or implied, of fitness for a particular purpose, other than the warranty contained herein. The manufacturer specifically disclaims any liability and shall not be liable for any consequential or incidental loss or damage, including but not limited to any labor/expense costs involved in the replacement or repair of said product.