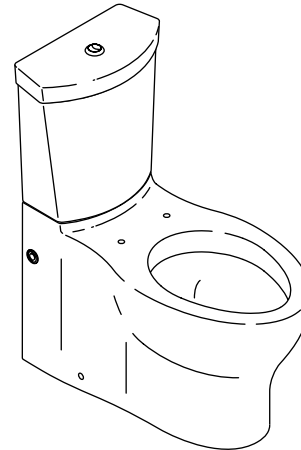


DUAL FLUSH TOILET K-3654



Features

- Vitreous china
- Elongated bowl
- Two-bolt installation system
- Combination toilet
- Supply line included
- Dual Flush flushing system
- Includes polished chrome push buttons
- Minimum 12" (30.5 cm) rough-in
- Seat post holes with 5-1/2" (14 cm) centers
- 1.6 gpm (6 lpm) or .8 gpm (3 lpm)
- 4-1/2" (11.4 cm) x 5-3/4" (14.6 cm) water area
- 27-5/8" (70.2 cm) x 14-3/16" (36 cm) x 31-1/2" (80 cm)



Codes/Standards Applicable

Specified model meets or exceeds the following:

- ASME A112.19.2/CSA B45.1
- ASME A112.19.14
- EPA WaterSense®

Colors/Finishes

- 0: White
- Other: Refer to Price Book for additional colors/finishes

Accessories

- 0: White
- Other: Refer to Price Book for additional colors/finishes

Specified Model

Model	Description	Colors/Finishes	
K-3654	Elongated bowl toilet – center push button	<input type="checkbox"/> 0	<input type="checkbox"/> Other_____
Required Accessories			
K-4664	Brevia™ elongated toilet seat	<input type="checkbox"/> 0	<input type="checkbox"/> Other_____
Recommended Accessories			
K-7659	3/8" NPT angle stop OR	<input type="checkbox"/> CP	<input type="checkbox"/> Other_____
K-7660	1/2" NPT angle stop OR	<input type="checkbox"/> CP	<input type="checkbox"/> Other_____
K-7668	3/8" NPT straight stop OR	<input type="checkbox"/> CP	<input type="checkbox"/> Other_____

Product Specification

Elongated combination toilet shall be made of vitreous china, less supply. Toilet shall be 27-5/8" (70.2 cm) in length, 14-3/16" (36 cm) in width, and 31-1/2" (80 cm) in height and 4-1/2" (11.4 cm) x 5-3/4" (14.6 cm) water area. Toilet shall be two-bolt installation and minimum 12" (30.5 cm) rough-in. Toilet shall be 1.6 gpf (6 L) or .8 gpf (3 lpf) with Dual Flush. Toilet shall feature seat post holes with 5-1/2" (14 cm) centers and polished chrome push buttons. Toilet shall be Kohler Model K-3654-____.

PERSUADE®

Recommended Accessories (continued)

K-7678	1/2" NPT straight stop	<input type="checkbox"/> CP	<input type="checkbox"/> Other_____
--------	------------------------	-----------------------------	-------------------------------------

Technical Information

Fixture:	
Configuration	two-piece, elongated
Water per flush	1.6 gpf (6 lpf) or 0.8 gpf (3 lpf)
Passageway	2" (5.1 cm)
Water area	4-1/2" (11.4 cm) x 5-3/4" (14.6 cm)
Water depth from rim	8-1/2" (21.6 cm)
Seat post hole centers	5-1/2" (14 cm)

Included components:	
Bowl	K-4322
Tank	K-4419
Tank cover	1052066
Push buttons	1035417

Installation Notes

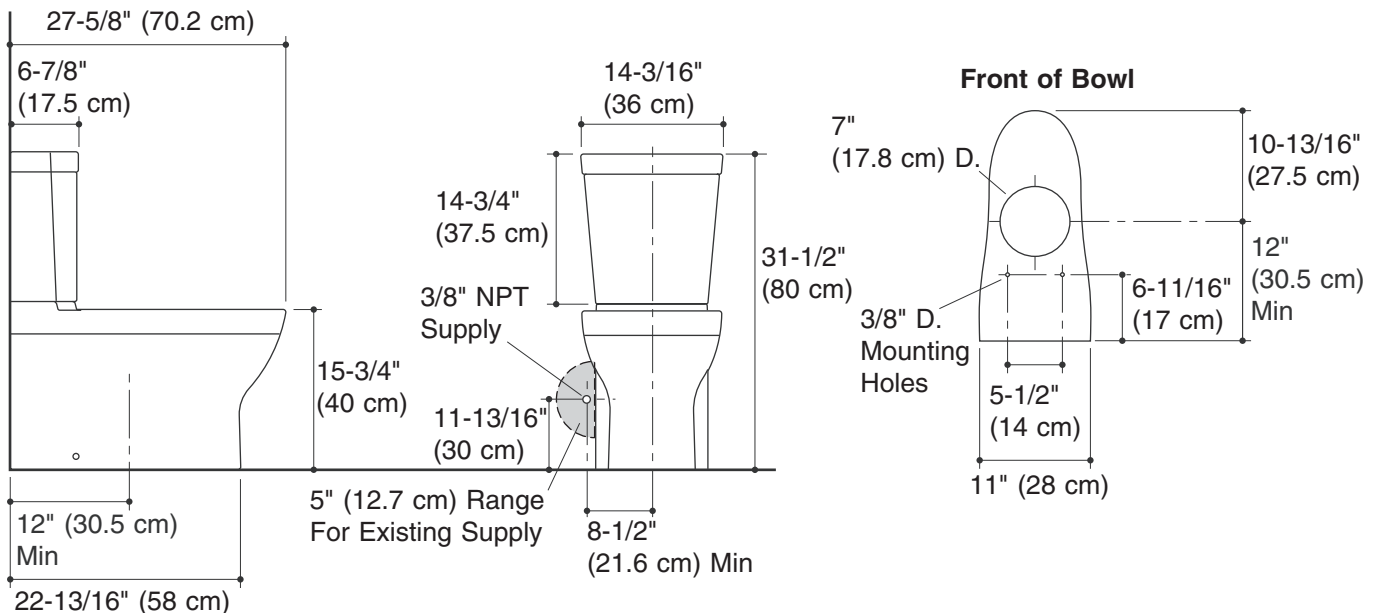
IMPORTANT! The rough-in must be 12" (30.5 cm) or more from the base of the wall or baseboard. The base of the toilet fits tightly against the wall or baseboard. The toilet will not fit correctly if there is less than 12" (30.5 cm) of clear space between the base of the wall or baseboard and the centerline of the outlet. Install or relocate the supply and outlet as necessary to conform to rough-in dimensions.

NOTE: If a baseboard causes the rough-in to be less than 12" (30.5 cm), it must be cut or removed to allow space for the toilet.

If this toilet is installed to new construction, install a new supply stop following the dimensions in the diagram.

In installations with the supply stop installed, the existing supply stop may need to be relocated if it is less than 8-1/2" (21.6 cm) from the centerline of the toilet. Dry fit the toilet to confirm if the supply stop needs to be relocated.

The supplied hose will extend roughly 6" (15.2 cm) from the toilet. If the supplied hose does not reach the supply stop, a longer supply hose may be used.



Product Diagram