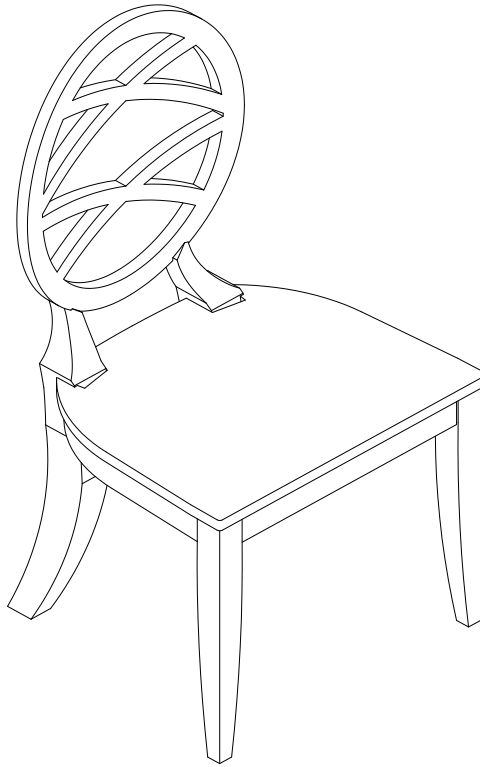


USE AND CARE GUIDE

Oval Back Chair (Set of 2)



Questions, problems, missing parts? Before returning to the store,
call Home Decorators Collection Customer Service.
8 a.m. – 7 p.m., EST, Monday – Friday, 9 a.m. – 6 p.m., EST, Saturday

1-800-998-7021

HOMEDEPOT.COM/HOMEDECORATORS

THANK YOU

We appreciate the trust and confidence you have placed in Home Decorators Collection through the purchase of this Oval Back Chair. We strive to continually create quality products designed to enhance your home. Visit us online to see our full line of products available for your home improvement needs. Thank you for choosing Home Decorators Collection!

Table of Contents

Table of Contents.....	2	Tools Required.....	3
Safety Information.....	2	Hardware Included.....	3
Warranty.....	2	Pre-assembly (continued).....	4
3 Year Warranty.....	2	Package Contents.....	4
What is Covered.....	2	Assembly.....	5
What is Not Covered.....	2	Maintenance.....	6
Pre-assembly.....	3	Care and Cleaning.....	6
Planning Assembly.....	3		

Safety Information



DANGER

- Keep small parts away from children during assembly.
- Read and follow instructions carefully.



WARNING

- Read these instructions carefully and keep in a safe place.
- TO GUARANTEE THE SAFE USE OF THIS PRODUCT, FOLLOW THE WARNINGS, GUIDELINES AND RECOMMENDATIONS IN THIS MANUAL.
- Adult assembly required.
- Small parts may present choking hazard prior to assembly.
- Do not stand, step or climb on unit.



CAUTION

- Do not use power tools to assemble your furniture. Power tools may strip or damage parts/product.
- Do not overtighten connectors (screws, bolts, etc.). Overtightening can lead to product damage.
- Be sure to check all packing materials carefully for small parts that may have come loose inside the carton during shipment. If parts are missing, contact THE HOME DEPOT to obtain any missing parts.
- DO NOT USE SUBSTITUTE PARTS.
- This product should only be used on a flat, level surface.
- Product is designed to hold 280lbs. Exceeding this limit may damage the product or cause injury to the user.

Warranty

3 YEAR WARRANTY

WHAT IS COVERED

We guarantee this product to be free of manufacturing defects to the original purchaser for three years.

WHAT IS NOT COVERED

This warranty does not cover commercial use, acts of nature, and abusive use.

Pre-assembly

PLANNING ASSEMBLY

This product has been designed for easy assembly and constructed for durability. All parts were checked prior to packaging to ensure quality. Prior to beginning assembly, however, make sure all parts and hardware are included and free of obvious defects. If a part is missing or defective, please contact the store where purchased.

TOOLS REQUIRED



Safety goggles



Level

HARDWARE INCLUDED



NOTE: Hardware not shown to actual size.



—AA



—BB



—CC



—DD



—EE

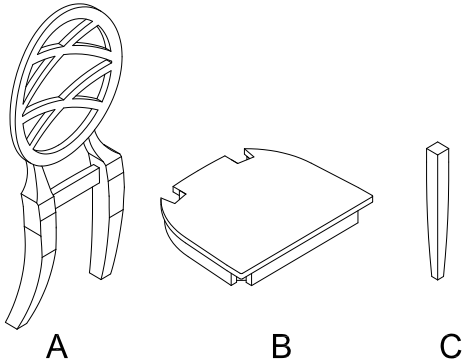


—FF

Part	Description	Quantity
AA	Long Bolt	8
BB	Spring Washer	10
CC	Flat Washer	10
DD	Allen Wrench	1
EE	Short Bolt	2
FF	Wood Dowel	2

Pre-assembly (continued)

PACKAGE CONTENTS

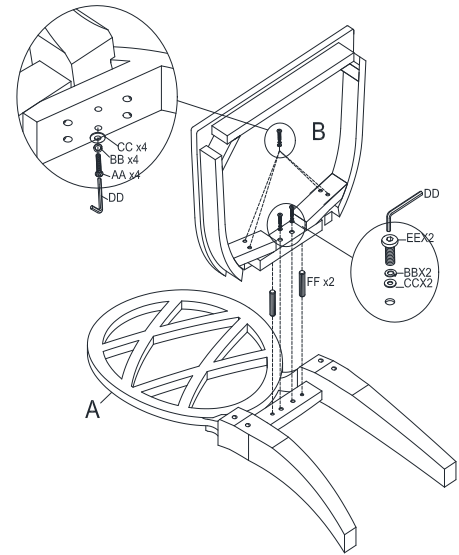


Part	Description	Quantity
A	Chair Back	1
B	Seat	1
C	Front Legs	2

Assembly

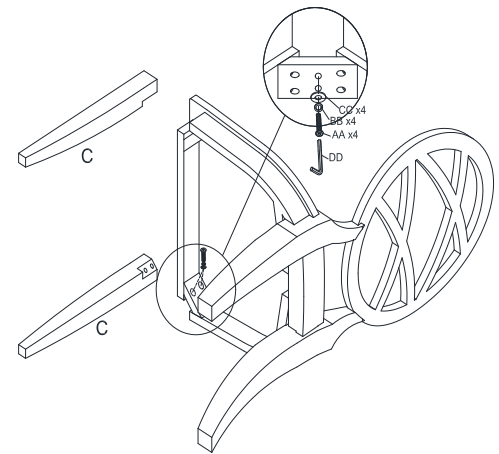
1 Assemble Chair Back with Seat

- Put Wood Dowel (FF) to Chair Back (A) **Apply two times.**
- Attach Seat (B) to Chair Back (A) by attaching Long Bolt (AA) through Spring Washer (BB) & Flat Washer (CC) on the two inner corners of Seat (B). Tighten with Allen Wrench (DD). **Apply four times.**
- Attach Short Bolt (EE) through Spring Washer (BB) & Flat Washer (CC) to the center rear of Seat (B). Tighten with Allen Wrench (DD). **Apply two times.**



2 Assemble Front Legs with Chair

- Attach Front Legs (C) to Seat frame (B) by attaching Long Bolt (AA) through Spring Washer (BB) & Flat Washer (CC). Tighten with Allen Wrench (DD). **Apply four times.**



Maintenance

- In the event that your furniture is stained or otherwise damaged during use, we recommend that you call a professional to repair your furniture.
- Check bolts/screws periodically and tighten them if necessary.

Care and Cleaning

- Use a soft, clean cloth that will not scratch the surface when dusting.
- Using solvents of any kind on your furniture may damage the finish.
- Use of furniture polishes is not necessary.
- Never use water to clean your furniture, as it may cause damage to the finish.
- Liquid spills should be removed immediately. Use a soft and clean cloth to blot the spill gently. Avoid rubbing.
- Use of furniture polishes is not necessary.
- Avoid placing furniture directly under windows.

HOME
DECORATORS
COLLECTION®

Questions, problems, missing parts?
Before returning to the store, call Home Decorators Collection Customer Service.
8 a.m. – 7 p.m., EST, Monday – Friday, 9 a.m. – 6 p.m., EST, Saturday

1-800-998-7021

[HOMEDEPOT.COM/HOMEDECORATORS](https://www.homedepot.com/homedecorators)

Retain this manual for future use.