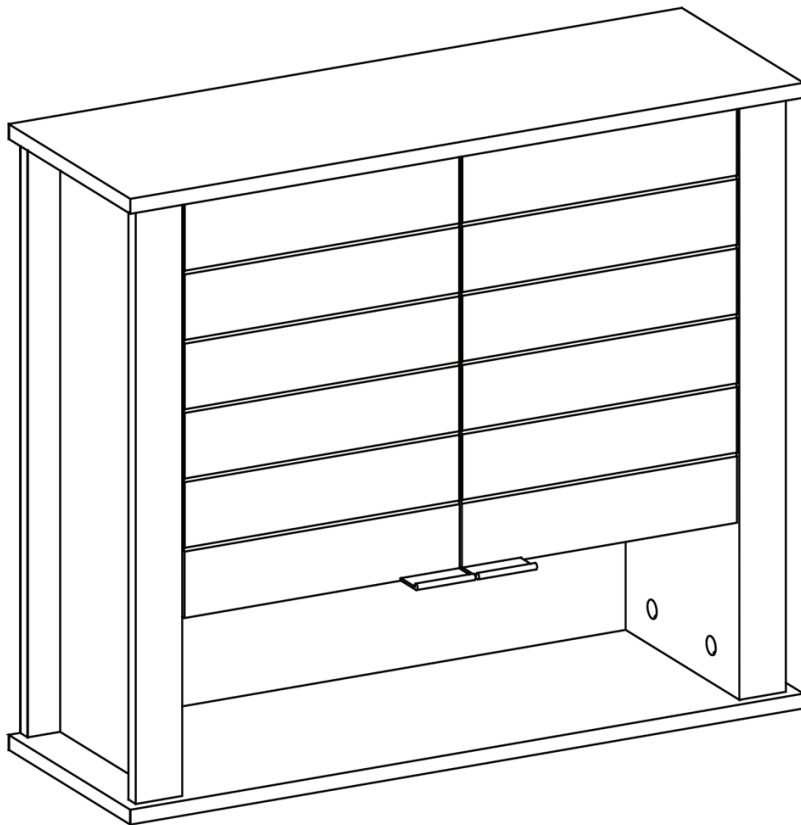




ASSEMBLY INSTRUCTIONS



RiverRidge® Madison Two-Door Wall Cabinet

ITEM #: 06-109 White

ADULT ASSEMBLY REQUIRED

This product requires assembly by an adult because of small parts. Care should be taken in unpacking and assembling this item to keep small parts away from children.

WARNING SEE FULL WARNING ON PAGE 2

Young children can be seriously injured or killed if furniture tips over. Don't use this item for a TV stand or place heavy objects on top of item. Always use angle-braces or anchors to secure furniture to the wall.

THIS SHELF UNIT WILL HOLD UP TO 20 POUNDS PER SHELF OR A TOTAL OF 60 POUNDS. DO NOT LOAD EACH SHELF WITH MORE THAN 20 POUNDS OR 60 POUNDS TOTAL WEIGHT. IF OVERLOADED WITH MORE THAN 20 POUNDS PER SHELF OR 60 POUNDS TOTAL WEIGHT, SHELF MAY TIP FROM THE WALL AND CAUSE SERIOUS INJURY OR DEATH.

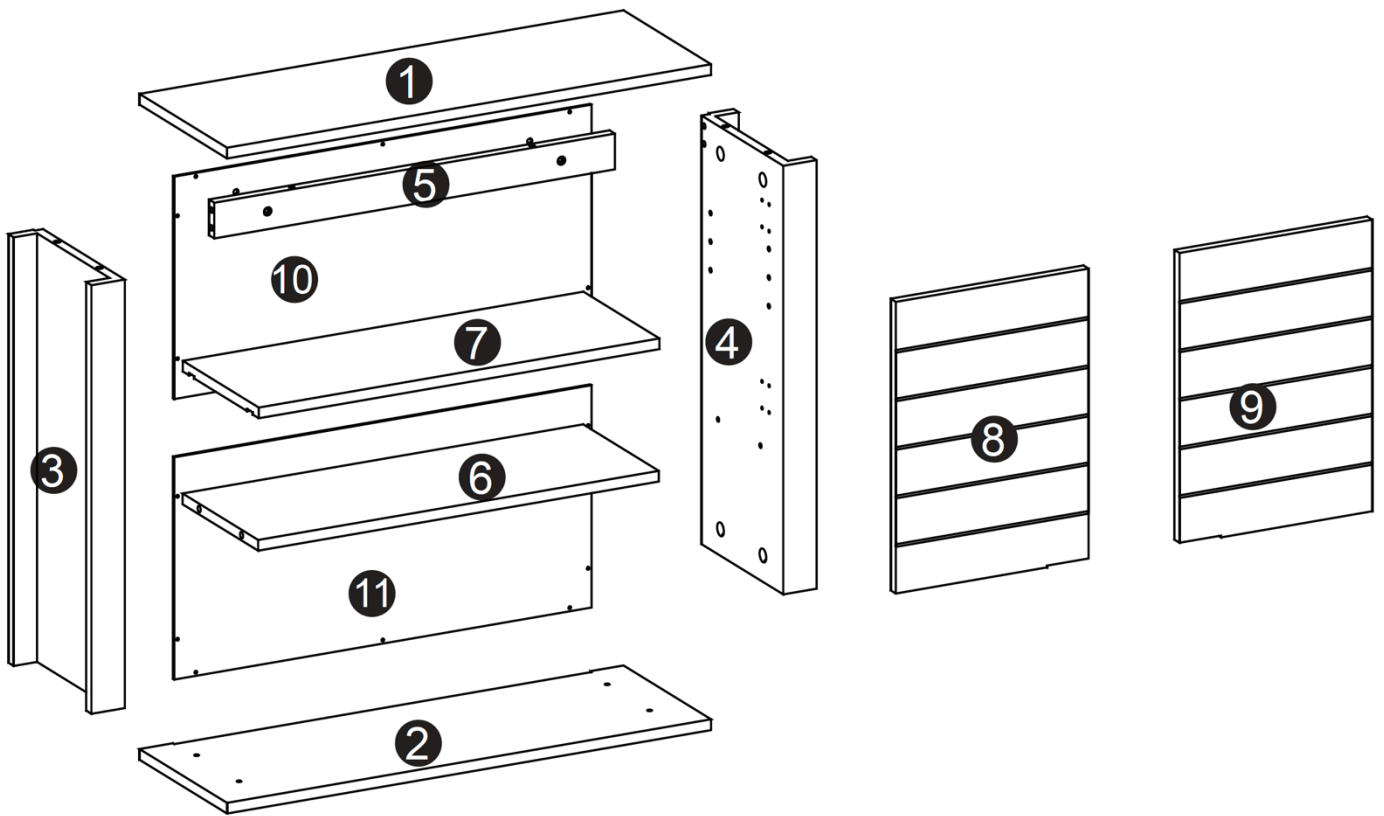


WARNING

SERIOUS OR FATAL INJURIES CAN OCCUR FROM FURNITURE TIP-OVER. TO HELP PREVENT TIP-OVER:




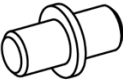
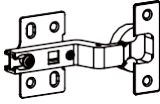
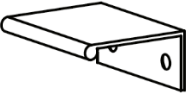



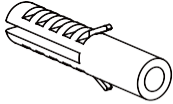
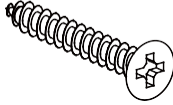

- **Always use tip over restraints and/or wall anchors to secure furniture to the wall**
- **Place heaviest items in the lowest drawers/bins or shelves**
- **Do not set TV's or other heavy objects on the top of this product**
- **Never allow children to climb or hang on to the drawers/bins, doors or shelves of furniture**
- **Never open more than one drawer at a time or defeat or remove any drawer interlock system**

PARTS LIST



NO	QTY	DESCRIPTION
1	IPC	Top Board
2	IPC	Bottom Board
3	IPC	Left Side Panel
4	IPC	Right Side Panel
5	IPC	Rear Cross Bar
6	IPC	Shelf
7	IPC	Adjustable Shelf
8	IPC	Left Door
9	IPC	Right Door
10	IPC	Upper Back Panel
11	IPC	Lower Back Panel

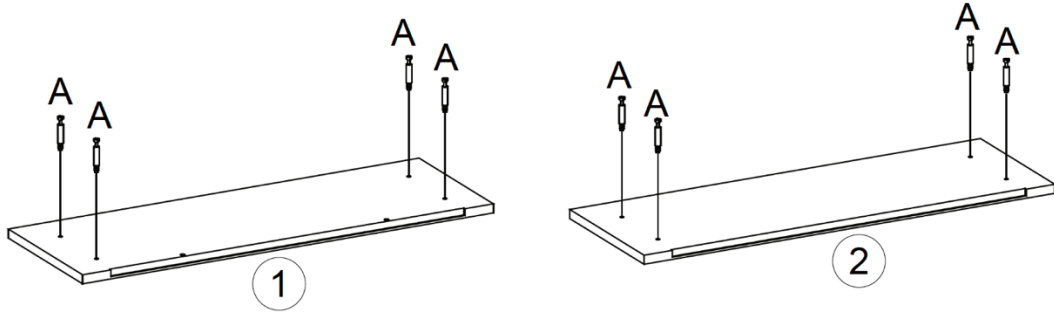
PARTS LIST

NO	PARTS	QTY	DESCRIPTION
A		12PCS	Cam Bolt
B		12PCS	Cam Lock
C		6PCS	Wood Dowel (6 x 30mm)
D		4PCS	Metal Shelf Holder
E		4PCS	Hinge
F		2PCS	Handle
G		28PCS	Screw (4 x 12mm)
H		1PC	Plastic Connection Strip
I		14PCS	Screw (2.5 x 10mm)
J		2PCS	Plastic Anchor
K		2PCS	Screw (5 x 45mm)
L		2PCS	Silicon pad

**TOOLS NEEDED FOR ASSEMBLY: FLAT & PHILLIPS SCREWDRIVER (NOT INCLUDED)
THE USE OF POWER SCREWDRIVER IS NOT RECOMMENDED FOR ASSEMBLY
TOOL NEEDED FOR SECURING TO WALL: POWER DRILL (NOT INCLUDED)**

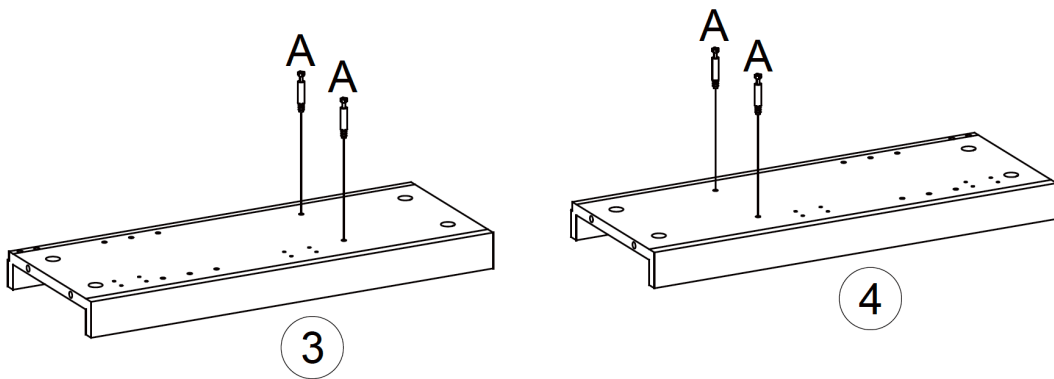
To order replacement parts at no cost to you, email customer.service@ssi-rr.com,
call 1-(844)-223-5201 or order parts online at www.riverridgehome.com

STEP 1



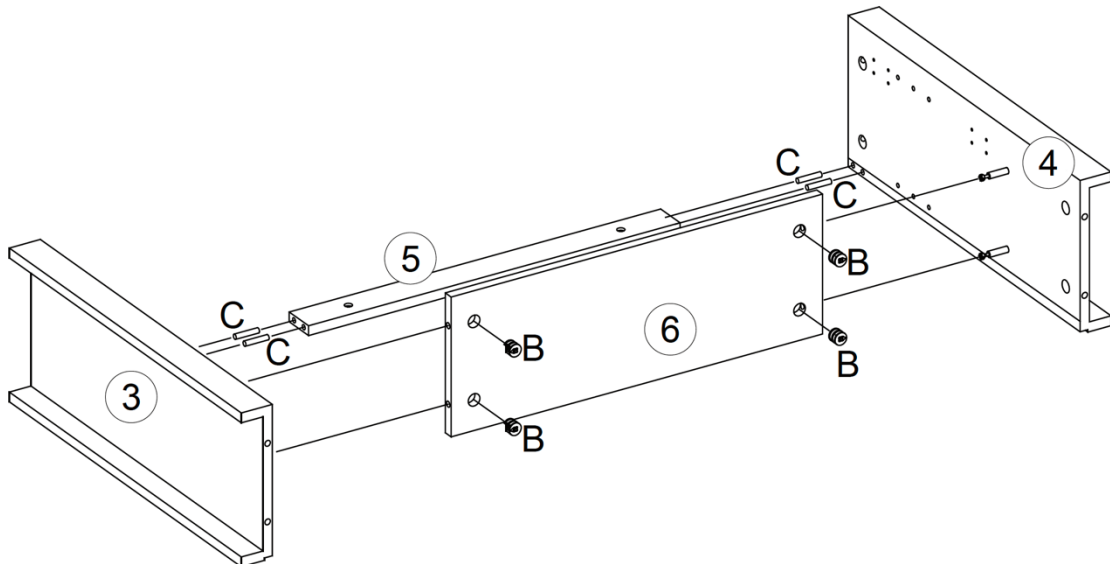
1. Screw 4 cam bolts (A) into pre-threaded holes on top board (1).
2. Screw 4 cam bolts (A) into pre-threaded holes on bottom board (2).

STEP 2



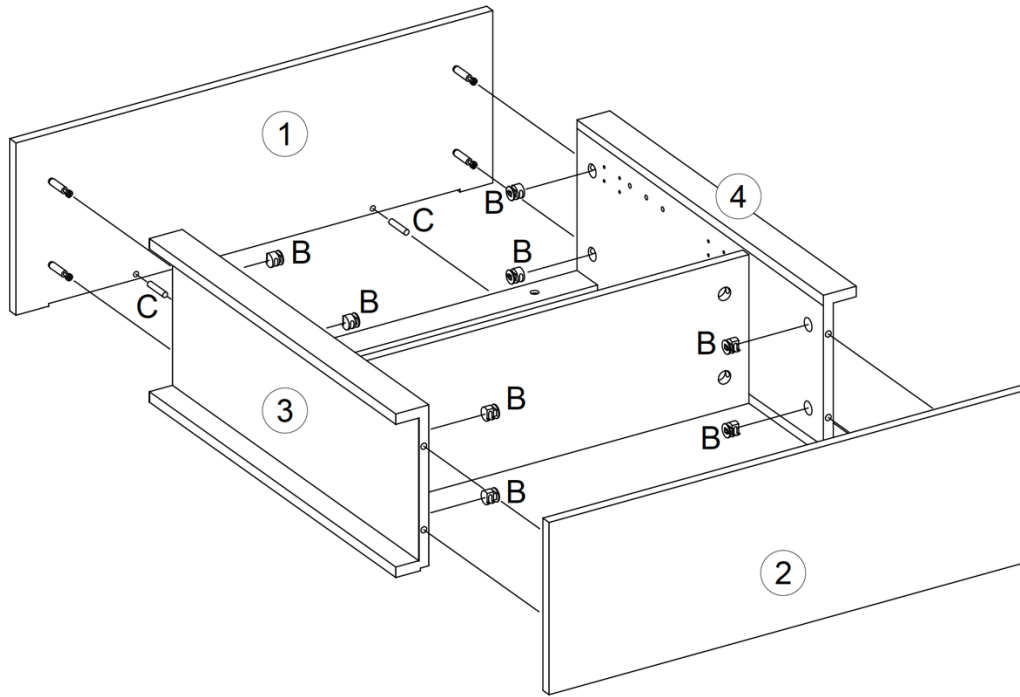
1. Screw 2 cam bolts (A) into pre-threaded holes on left side panel (3).
2. Screw 2 cam bolts (A) into pre-threaded holes on right side panel (4).

STEP 3



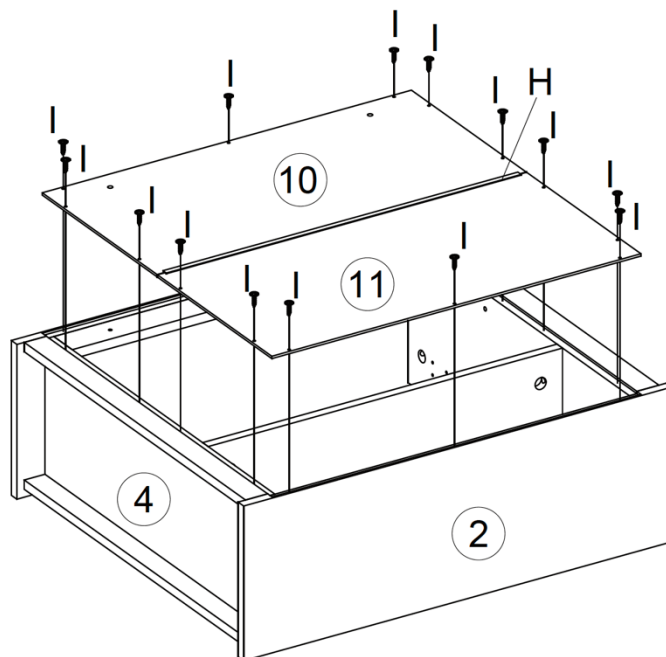
1. Insert 2 wood dowels (C) into wood dowel holes on left side panel (3).
2. Attach left side panel (3) to shelf (6) and rear cross bar (5) by inserting cam bolts (A) into cam lock holes on shelf (6) and wood dowels into wood dowel holes on rear cross bar (5).
3. Insert 2 cam locks (B) into cam lock holes on shelf (6), then rotate clockwise to secure cam bolts in place.
4. Insert 2 wood dowels (C) into wood dowel holes on right side panel (4).
5. Attach right side panel (4) to shelf (6) and rear cross bar (5) by inserting cam bolts into cam lock holes on shelf (6) and inserting wood dowels into wood dowel holes on rear cross bar (5).
6. Insert 2 cam locks (B) into cam lock holes on shelf (6), then rotate clockwise to secure cam bolts in place.

STEP 4



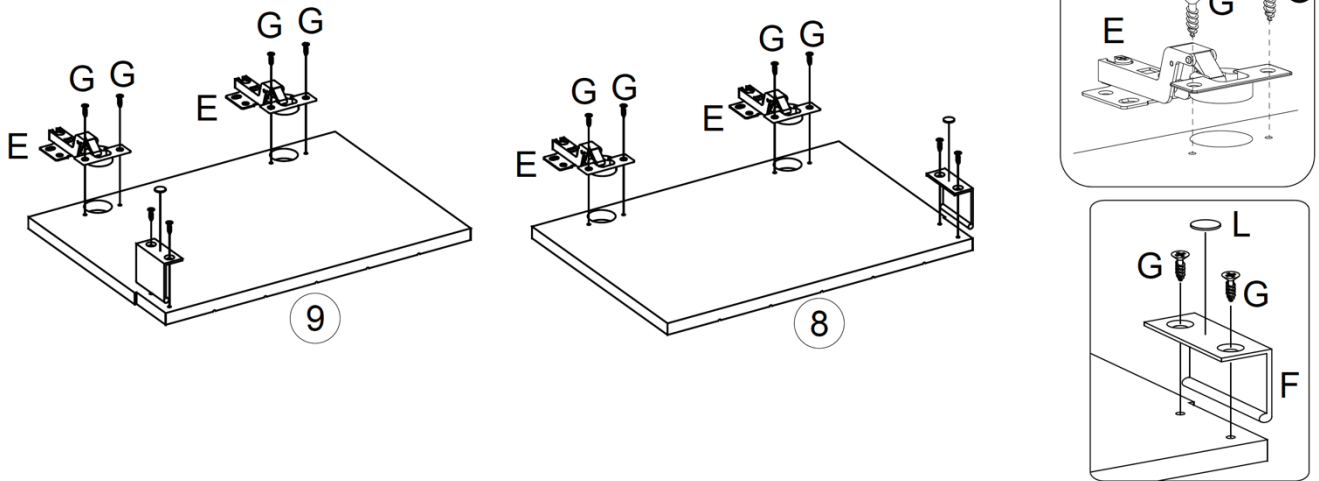
1. Insert 2 wood dowels (C) into wood dowel holes on top board (1).
2. Attach top board (1) to left side panel (3), right side panel (4) and rear cross bar (5) by inserting wood dowels into wood dowel holes on rear cross bar (5) and inserting cam bolts into cam lock holes on left side panel (3) and right side panel (4).
3. Insert 4 cam locks (B) into cam lock holes on left side panel (3) and right side panel (4), then rotate clockwise to secure cam bolts in place.
4. Attach bottom board (2) to left side panel (3) and right side panel (4) by inserting cam bolts into cam lock holes on left side panel (3) and right side panel (4).
5. Insert 4 cam locks (B) into cam lock holes on left side panel (3) and right side panel (4), then rotate clockwise to secure cam bolts in place.

STEP 5



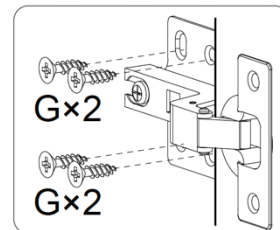
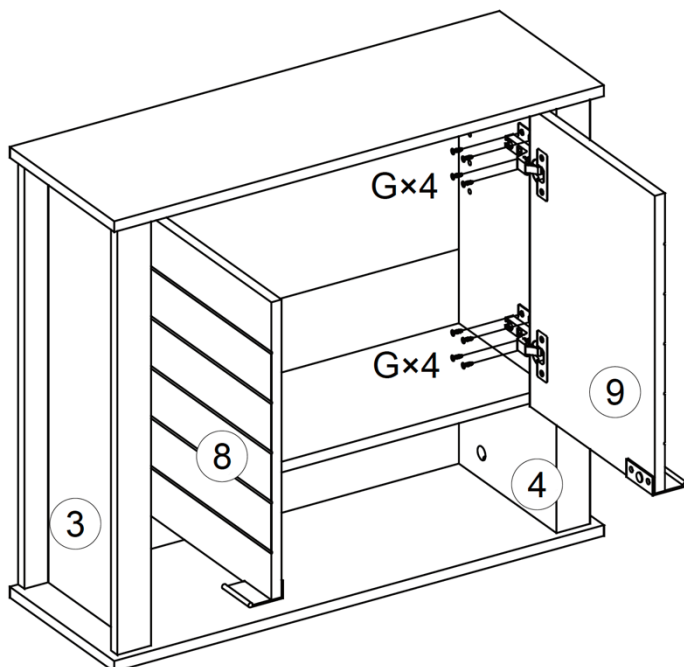
1. Attach upper back board (10) and lower back board (11) together by sliding into plastic connection strip (H).
2. Attach upper back board (10) and lower back board (11) to cabinet by inserting 14 wood screws (I) through holes on upper back board (10) and lower back board (11) then tighten into cabinet.

STEP 6

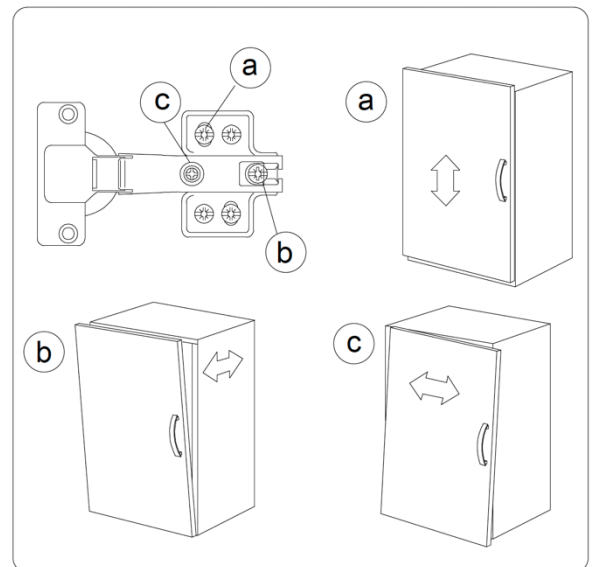


1. Attach 2 hinges (E) to left door (8) by inserting 4 screws (G) through holes on hinges (E), then tighten to left door (8).
2. Attach 1 handle (F) to left door (8) by inserting 2 screws (G) through holes on handle (F), then tighten to left door (8).
3. Stick 1 silicon pad (L) on handle (F) to prevent scratches on shelf edge when door is closed.
4. Repeat above steps to assemble hinges (E) and handle (F) and silicon pad (L) to right door (9).

STEP 7

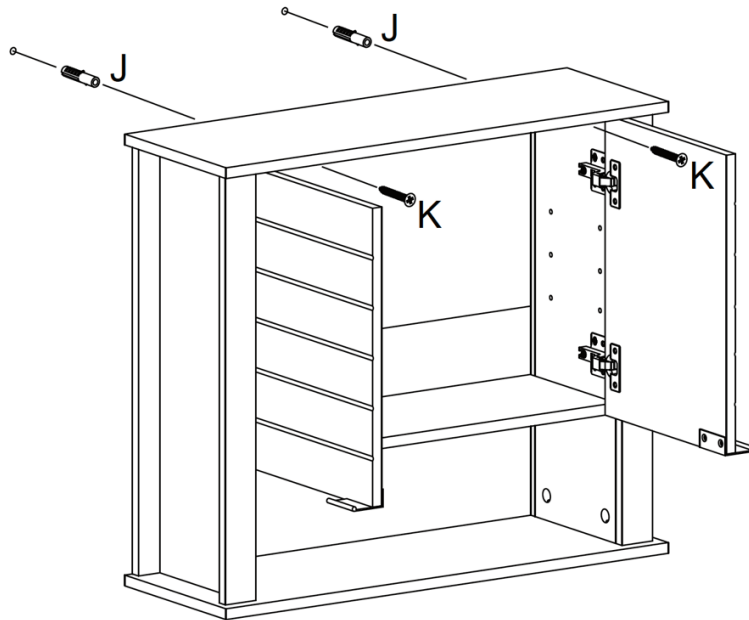


Door Adjustments



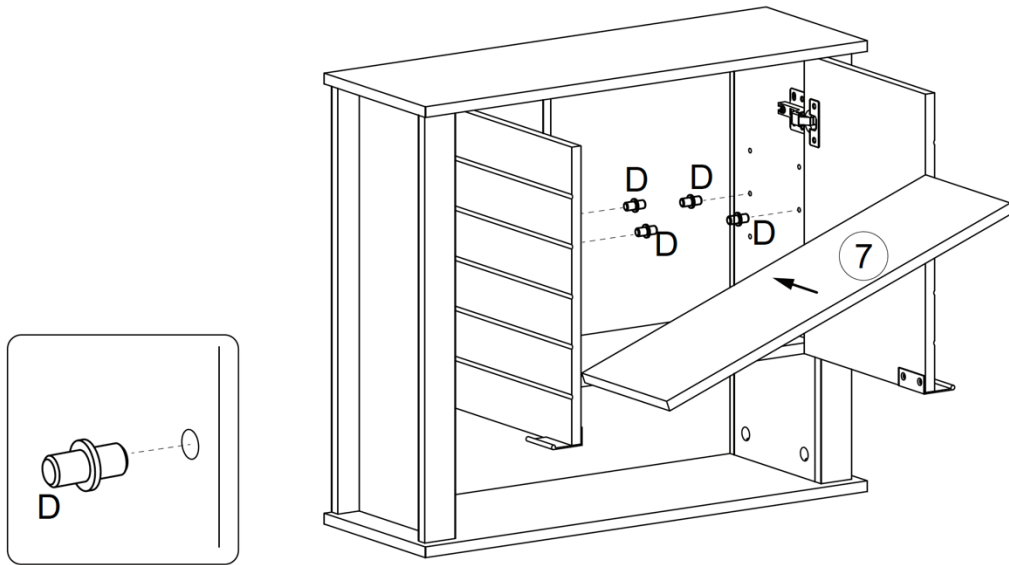
1. Attach left door (8) to cabinet by inserting 8 screws (G) through holes on hinges (E), then tighten to left side panel (3).
2. Attach right door (9) to cabinet by inserting 8 screws (G) through holes on hinges (E), then tighten to right side panel (4).
3. Note: Tightening screw in position "a" will adjust doors up or down; tightening screw in position "b" will adjust doors to or from cabinet and tightening screw in position "c" will adjust doors side to side.

STEP 8



1. Place drawing on wall in desired position and drill 2 holes through hole positions on drawing.
2. Insert 2 plastic anchors (J) into the holes.
3. Align holes on cabinet with holes on wall, then insert 2 screws (K) through holes on back of cabinet and tighten cabinet to wall.

STEP 9

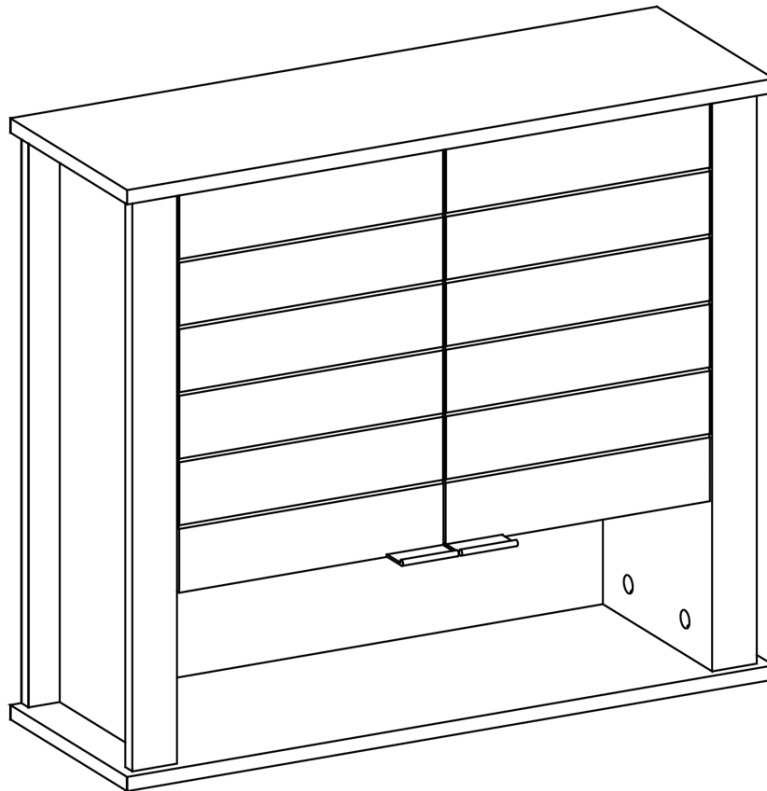


1. Insert 4 metal holders (D) into desired hole positions.
2. Place adjustable shelf (7) onto 4 metal holders (D).

ATTENTION ADULTS: Cabinet should be checked periodically for damage or loose screws/parts. Take appropriate action necessary to correct hazards such as tightening of screws and taking any damaged parts away from children.

WARNING  **Please make sure your item is secured to the wall, per assembly instructions.**

Enjoy your new RiverRidge® Cabinet!



Thank you for purchasing this RiverRidge® Home item. We hope you enjoy it and consider purchasing other RiverRidge® items.

To order replacement parts at no cost to you, email customer.service@ssi-rr.com, call 1-(844)-223-5201 or order parts online at www.riverridgehome.com



RiverRidge® is a registered trademark of Sourcing Solutions, Inc., Hudson, WI 54016