

⚠ WARNING!

Read the Owners Manual and follow all warnings and instructions before using the helmet. For best protection, the helmet must be fitted and attached properly to the wearer's head. While this helmet provides significant protection, it cannot provide total protection from all foreseeable impacts. Please exercise care and good judgment whenever you ride and comply with all traffic regulations, so as to avoid accidents of any kind. This helmet should not be used when playing off of the bicycle. There is a strangulation hazard when using a helmet on playgrounds and climbing trees. A bicycle helmet is designed to absorb the energy of one significant impact (more than a minor scratch). If this occurs the helmet should be replaced or sent to the manufacturer for inspection. Velotec Sports generally recommends helmet replacement every three years.

This helmet complies with the U.S. CPSC Safety Standard for Bicycle Helmets for person age 5 and older.

No helmet can protect against injury in all types of accidents. Helmets reduce or prevent injuries, but even low-impact accidents can result in serious injury or death. Cycling, BMX, skateboarding, snowboarding, and similar activities are inherently dangerous. While no helmet can guarantee your safety, the use of a helmet, taking lessons, riding responsibly and within your skill level and abilities, and using common sense, can all reduce the risk of serious head injuries. Keep in mind - wearing a helmet does not make you free from injury

Do not make any attachments to this helmet other than those supplied by the manufacturer. This helmet is designed to absorb shock by partial destruction of the shell. This damage may or may not be visible to the user. If this helmet is involved in a severe impact or blow to the head or helmet, it is absolutely necessary to destroy and replace the helmet.

NEVER DO THE FOLLOWING:

- Store your helmet in a hot or damp place; excessive heat can damage the helmet.
- Wear a helmet that has been in an accident even if no damage is visible.
- Let someone else wear your helmet.
- Ride on a motor vehicle while wearing this helmet.
- Borrow and wear someone else's helmet.
- Wear your helmet with your forehead exposed.
- Wear your helmet with the buckle unfastened.
- Wear a hat, beanie, or other head covering under your helmet.
- Clean your helmet with chemical cleaners.
- Take unnecessary risks just because you are wearing a helmet.

⚠ WARNING! Do not use a helmet that may have been heat damaged.

ALWAYS DO THE FOLLOWING:

- Fasten the buckle and tighten the chinstrap so that it fits snug, but not too tight or too loose.
- Check the adjustments on the straps and pads every time you wear your helmet.
- Wear a helmet that is designed for the activity you are doing.
- Wear the helmet so that it covers your forehead properly.
- Inspect your helmet often for signs of wear, damage, and improper adjustment.
- Replace your helmet if it shows signs of damage or wear.
- Store your helmet in a cool and dry place.
- Wear a helmet whenever you ride.
- When cleaning your helmet, use mild soap and water.
- Ride safely and use your common sense to stay within your limitations of skill and ability.

⚠ WARNING! A helmet is not a toy. Do not allow your child to use while climbing or other play activities where a risk of strangulation by the chinstraps is a possibility.

FITTING YOUR HELMET CORRECTLY:

In order to attain maximum protection and comfort, the helmet must be the right size, and must be put on correctly. Please consider the following guidelines for a proper fit of the helmet.

Put on the helmet so that it sits straight on your head and covers your forehead, with the edge of the helmet approximately 5/8" (1.5 cm) above your eyebrows. The helmet should fit comfortably, so that it holds onto your head as you move it forward and backward as well as side-to-side. **See Fig. 1**

The comfort pads inside the helmet should exert firm, even, comfortable pressure against your head. The helmet fits well if the pads are in contact with all sides of your head around the interior of the helmet. A helmet that fits well also fits comfortably, without being too tight.

Your helmet may come with two sizes of comfort pads. Adjust the size with these comfort pads. If the helmet does not fit after having adjusted the pads, choose another size. Once the pads are adjusted to the proper fit, grab the helmet and twist it. If the helmet fits correctly, the skin on your forehead should move with the helmet.

Avoid wearing the helmet so that it sits low on the back of your head/neck and exposes your forehead. Wear the helmet low enough in front to protect your forehead, but make sure your vision is not blocked. **See Fig. 1**



BICYCLE HELMET OWNERS MANUAL

Thank you for your purchase!

Your new helmet was designed and manufactured with care. It went through numerous quality controls during the manufacturing process. The helmet passed all inspections and fulfills the requirements CPSC safety standard certification. This helmet is intended for pedal cycling. It is not designed for motor vehicle use or other sports. In order to protect you properly, your helmet must fit correctly and be worn correctly. To achieve a proper fitting helmet, do not use this product until you have read this manual completely and carefully, and understand the limitations of the product.



cyclicsports.com

Adjust the strap so that it fits snug under the chin. When the strap is adjusted properly and buckled, it should hold the helmet firmly in place. The strap forms a "Y" under the ears, and must be closed under the jaw and on the side of the neck. Make sure the strap is back against the throat, and NOT placed on the point of the chin. If you open your mouth and feel a slight pressure from the chinstrap, the helmet fits well. Any slack in the strap must be pulled through the chin buckle. The loose ends of the strap must pass through the rubber "O" ring on the strap.

In order to adjust the position of the straps, hold one end of the chin buckle in one hand and slide the adjuster up or down the strap, as necessary to create a balanced and even "Y" shape under the ears. Check to ensure that the chinstrap is secure each time you put on your helmet. The chinstrap must be properly adjusted in order for the helmet to work. The strap is what keeps the helmet on your head.

Try to remove the helmet while the strap is closed. Grab the helmet with both hands, and try to remove it by rolling the helmet forward and backward. If the helmet moves excessively on your head, re-adjust it. It should not be possible to remove the helmet without opening the chinstrap. If you can roll the helmet off in front or back, or roll it so that it blocks your vision or exposes your forehead, it does not fit correctly. **See Fig. 2-3**

⚠ WARNING! If it is not possible to adjust the helmet pads and strap so that it fits properly, do not buy this helmet. Try another style or another brand of helmet. Please buy a helmet that fits and that protects you properly.

CARE AND CLEANING:
Only use a soft towel, soap, and warm water to clean your helmet. You can remove and clean the comfort pads by hand, and re-insert them after they have been air-dried. The use of solvents and solvent based paints or similar solvent-based materials can damage your helmet. We recommend not changing anything about the helmet after you have purchased it. The addition of stickers and painting the surface is not recommended. The helmet can also be damaged if exposed to extreme changes in hot or cold temperatures. Store your helmet in a cool, dry place.

WARRANTY:
Velotec Sports helmets are warranted to be free from defects in materials and workmanship for one year from the date of purchase. This only applies to the original owner and must be accompanied by the original sales receipt as proof of purchase. This warranty does not apply to damage resulting from impact, misuse, abuse, accident, negligence or normal wear and tear. For any defects and replacement contact Customer Service at: **service@velotecsports.com** or **888-995-7437** (US and Canada).

Fig 1: Fitting your helmet

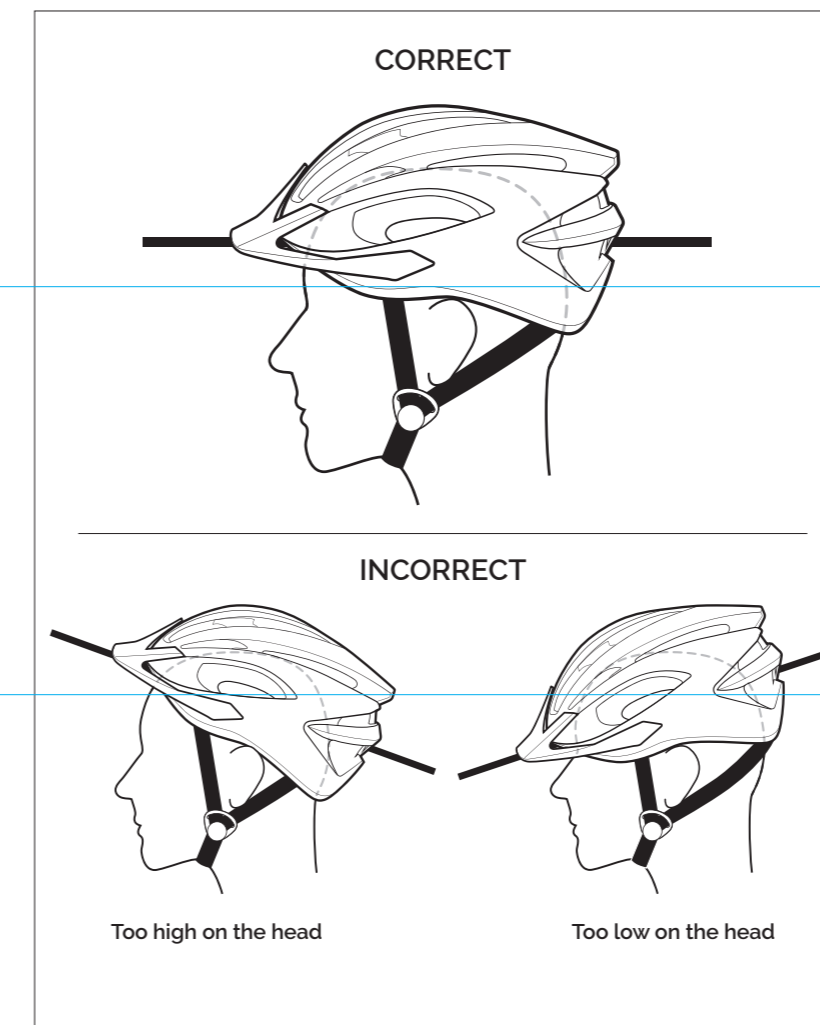


Fig 2: Adjusting the chinstrap

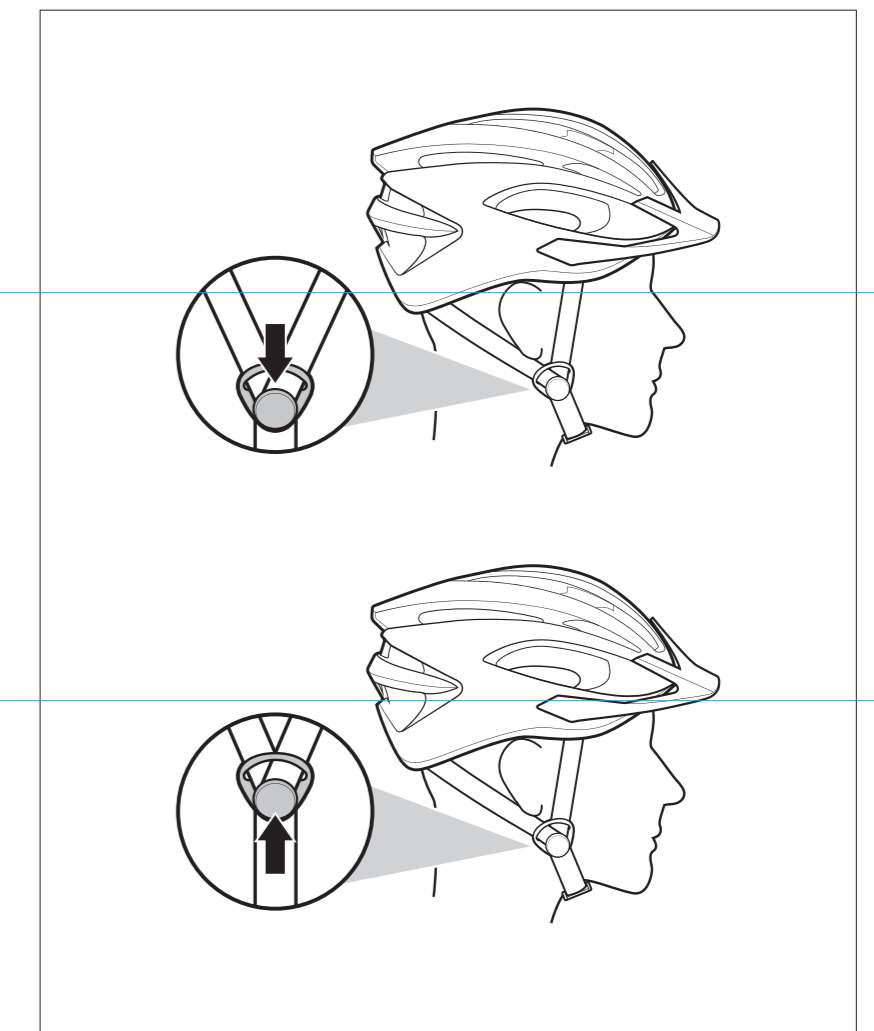


Fig 3: Securing the chinstrap webbing

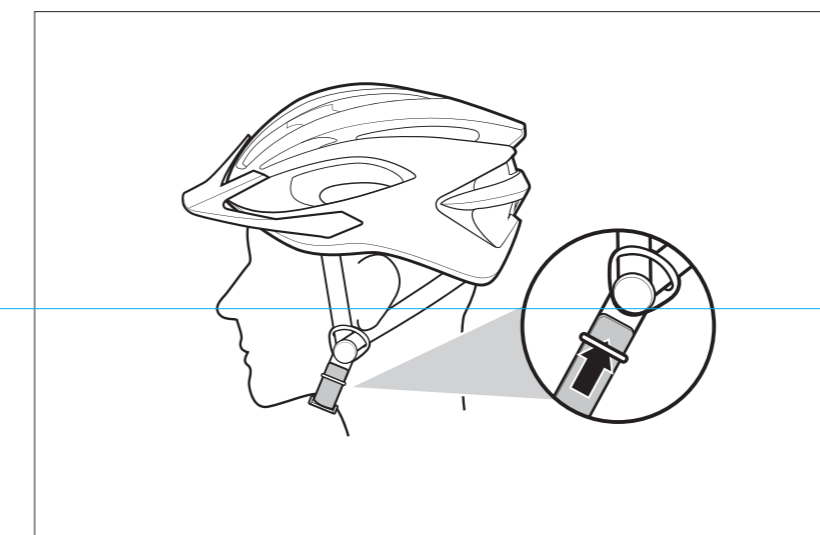


Fig 4: Using the magnetic chin-strap closure (select models)

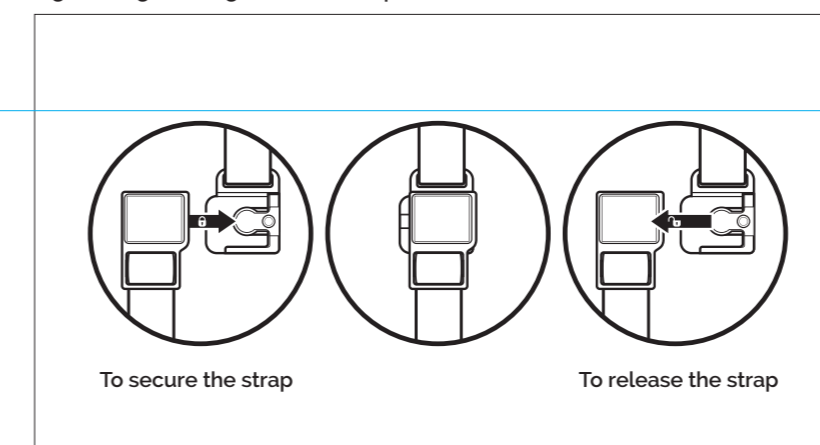
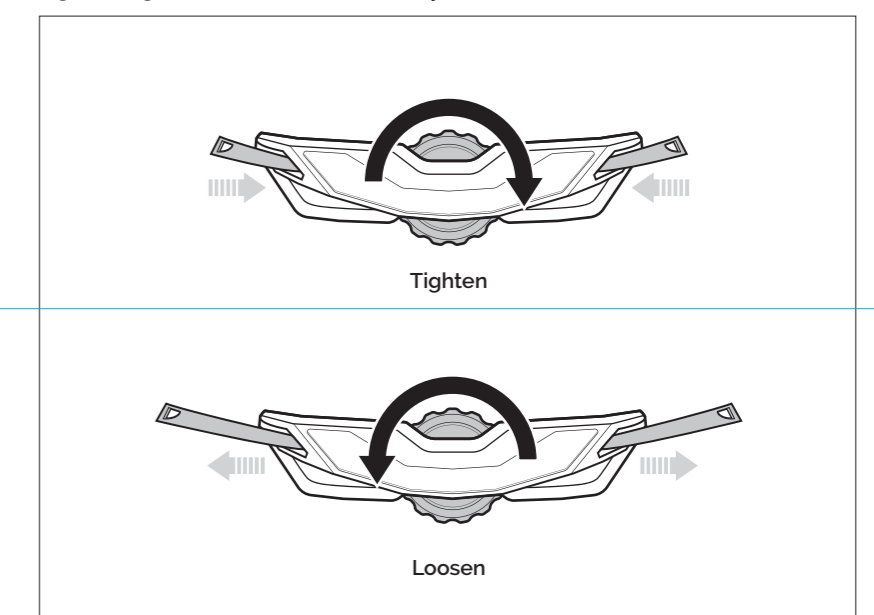


Fig 5: Using the Dial-to-Fit™ retention system



888-995-7437



service@velotecsports.com

Cyclic is a registered trademark of Velotec Sports LLC, 413 S. Glasgow Avenue, Inglewood, CA 90301 USA