



Buy it for looks. Buy it for life.®

**DESCRIPTION**

- Metal construction with various finishes identified by suffix
- Pressure balancing cycle valve design with an adjustable temperature limit stop
- 1/2" IPS connections
- Includes showerhead, arm, and flange, tub spout

**OPERATION**

- Lever style handle
- Handle operates counterclockwise through a 270° arc with off at 6 o'clock and maximum hot at the 9 o'clock position. Shut off in clockwise direction
- Adjustable temperature limit stop to control maximum hot water temperature
- Pressure balancing mechanism maintains selected discharge temperature to ± 2°

**FLOW**

- Showerhead is limited to 2.0 gpm (7.6 L/min), 1.5 gpm (5.7 L/min) at 45 psi

**CARTRIDGE**

- 1222 cartridge design
- Nonmetallic/nonferrous and stainless steel materials
- Accommodates back to back installations

**STANDARDS**

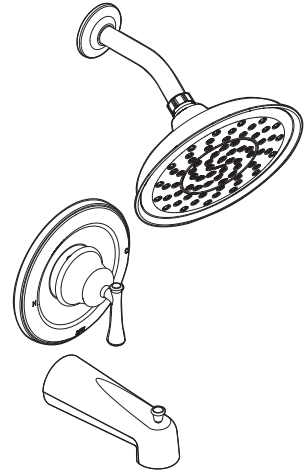
- Third party certified to ASME A112.18.1/CSA B-125.1 and all applicable requirements referenced therein
- Meets WaterSense criteria
- Meets New York City Local Law No. 57

- **ADA** for lever handles

**WARRANTY**

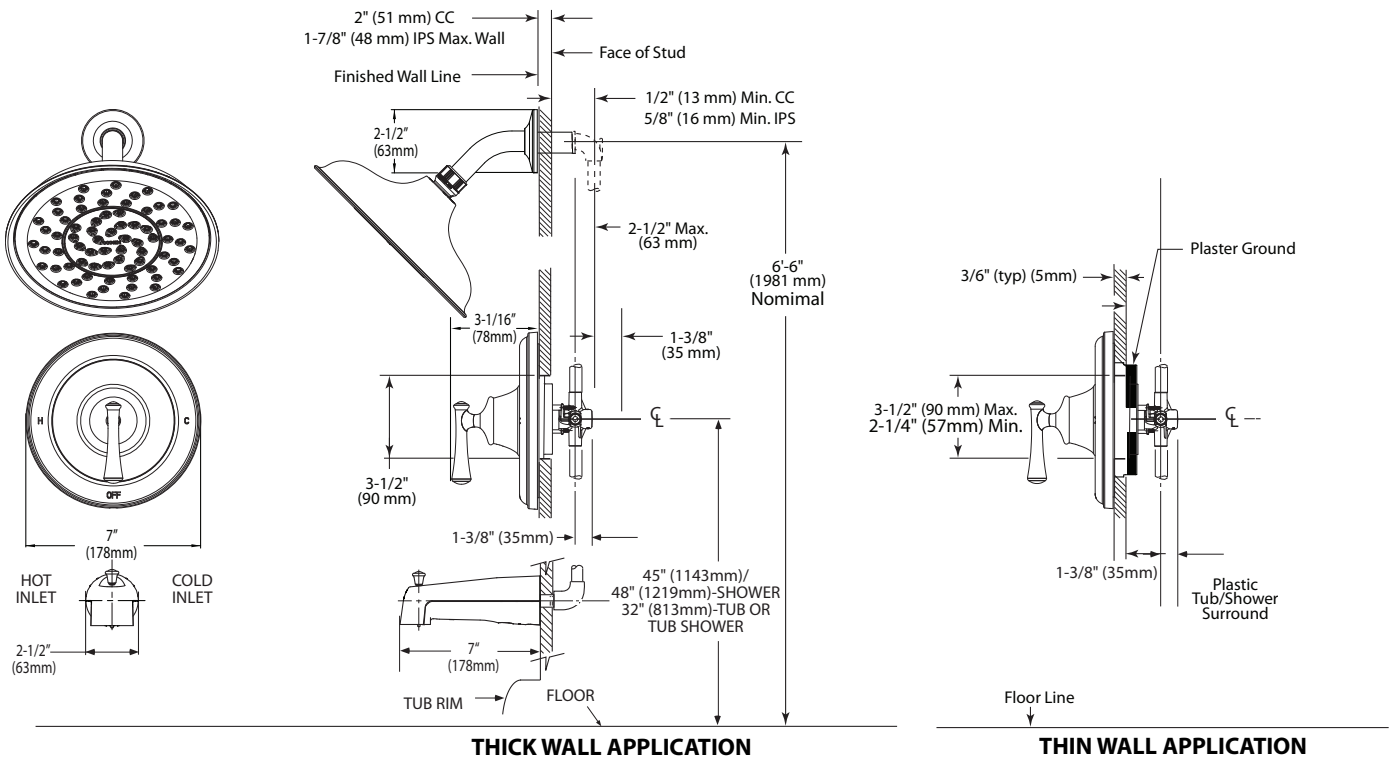
- Lifetime limited warranty against leaks, drips and finish defects to the original consumer purchaser
- 5 year warranty if used in commercial installations

# Specifications



**ASHVILLE™**  
**Single-Handle/Tub Shower**

**Models: 82877 series**



**CRITICAL DIMENSIONS**

(DO NOT SCALE)

**FOR MORE INFORMATION CALL: 1-800-BUY-MOEN**

[www.moen.com](http://www.moen.com)

# Technical Specification

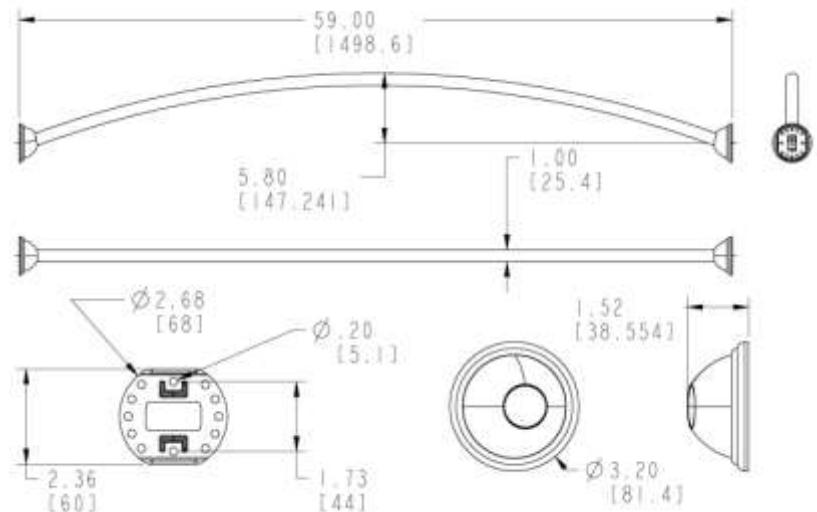
## Decorative Curved Shower Rod

# CSR2165

### Stock Numbers:

- ❑ **CSR2165BN – 5' Decorative Curved Shower Rod**  
Brushed Nickel Finish  
1" Diameter Rod  
Retail Packaging
- ❑ **CSR2165CH – 5' Decorative Curved Shower Rod**  
Chrome Finish  
1" Diameter Rod  
Retail Packaging
- ❑ **CSR2165OWB – 5' Decorative Curved Shower Rod**  
Old World Bronze Finish  
1" Diameter Rod  
Retail Packaging

### Dimensions:



### Materials:

**Brushed Nickel and Chrome Curved Shower Rods** are made of .028 (22 gauge) seamless type 304 stainless steel. **Old World Bronze Curved Shower Rods** are made of .028 (22 gauge) seamless type 430 stainless steel. **Brushed Nickel and Chrome Flanges** are stamped from .020 type 304 stainless steel. **Old World Bronze Flanges** are stamped from type 443 stainless steel.

**Stock Number:** \_\_\_\_\_ Curved Shower Rod  
By Creative Specialties