

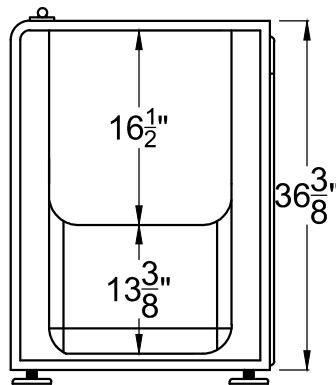
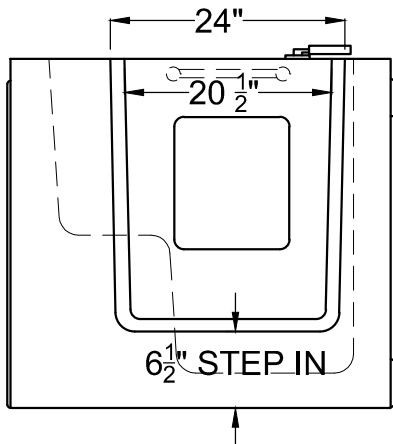
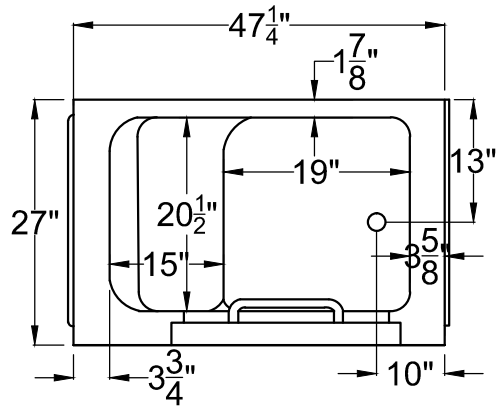
# Universal tubs

your doorway to independent bathing

Thank you for choosing Universal Tubs the nationwide manufacturer of walk-in tubs, bathtubs and bathroom fixtures exclusively made for the Home Depot.



For toll-free information or to speak to a knowledgeable representative simply call **1-877-360-4454** or visit us online at **[www.UniversalTubs.com](http://www.UniversalTubs.com)** or email us at **[info@UniversalTubs.com](mailto:info@UniversalTubs.com)**.



**2747**

27" x 47<sup>1</sup>/<sub>4</sub>" x 36<sup>3</sup>/<sub>8</sub>"

**INSTALLATION:** It is important that all leveling feet are completely touching the floor and level for the door system to work properly.

**GENERAL SPECIFICATIONS:**

**Material** Acrylic

**Plumbed Weight :** 195lbs / 88 kg

**Soaker Weight :** 165 lbs / 75kg

**Average Fill:** 65 gal to above jet level

**ELECTRICAL SPECIFICATIONS:**

Required Electrical Service 110 Volt

Air Bath or Whirlpool 1-15 amp GFCI

Whirlpool with Inline Heater 1-20 amp GFCI

Whirlpool and Air 1-20 amp GFCI

Soaker

**PACKAGES AND OPTIONS**

Hydrotherapy Package	Package Contents	Part #
Soaker	Soaking bath - no jets, textured bottom	2747S
Whirlpool	Adjustable pointed-massage jets, 1-hp pump, textured bottom	2747H
Air Bath	Air jets, Air blower, Textured bottom	2747A
Whirlpool and Air	Adjustable pointed-massage jets, 1-hp pump, Air jets, Air blower, textured bottom	2747D

- OPTIONS
- Colors Available - White
- Quick Ship - reduces lead time - call for availability
- Inline Heater with Pump - Whirlpool or Whirlpool and Air Bath
- Lift & Turn Drain Kit -Chrome,Brushed Nickel, White
- Color Match Jets.

**IMPORTANT INFORMATION**

- Before ordering or installing, please consider future access to equipment.
- Please measure tub on-site before building tub surrounding.
- Jet, pump & blower locations are predetermined and cannot be changed.
- Tub door must remain close when not in uses.
- Please note that installer(s) must be certify or warranty will be voided.
- Specifications and configurations are subject to change without notice.
- Measurements are +1/2" and are subject to change without notice.
- Measurements herein supersede all others published prior to publication date shown below.