


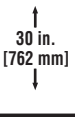

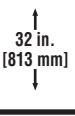
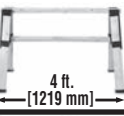
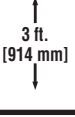
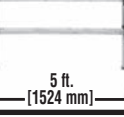
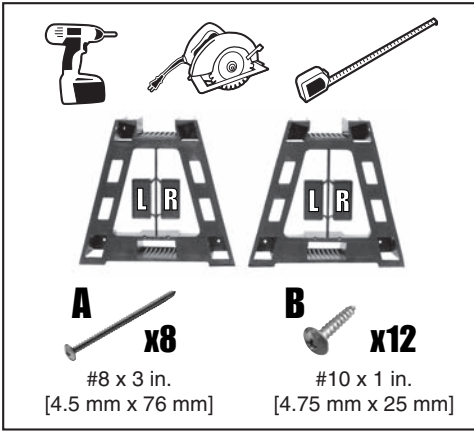


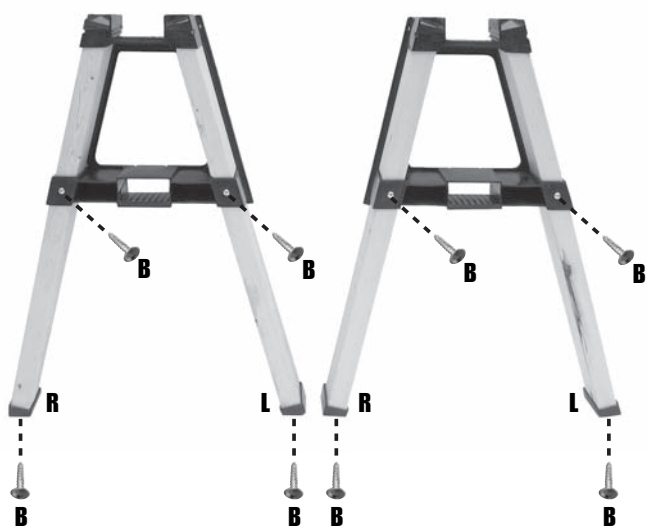
SAWHORSE **2x4 basics**[®]
PRO BRACKETS



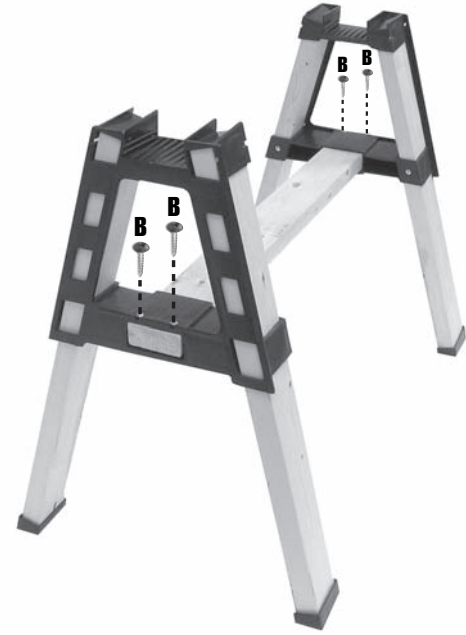
			
		x2	x2 3 ft. [914 mm]
		x3	x2 4 ft. [1219 mm]
		x3	x2 5 ft. [1524 mm]
			x4 30 in. [762 mm]
			x4 32 in. [813 mm]
			x4 3 ft. [914 mm]



1



2



3

