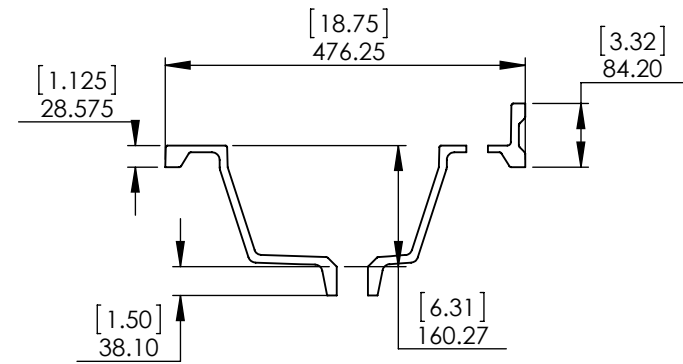
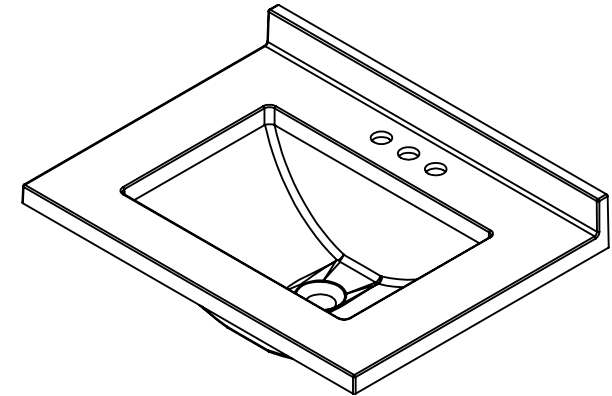
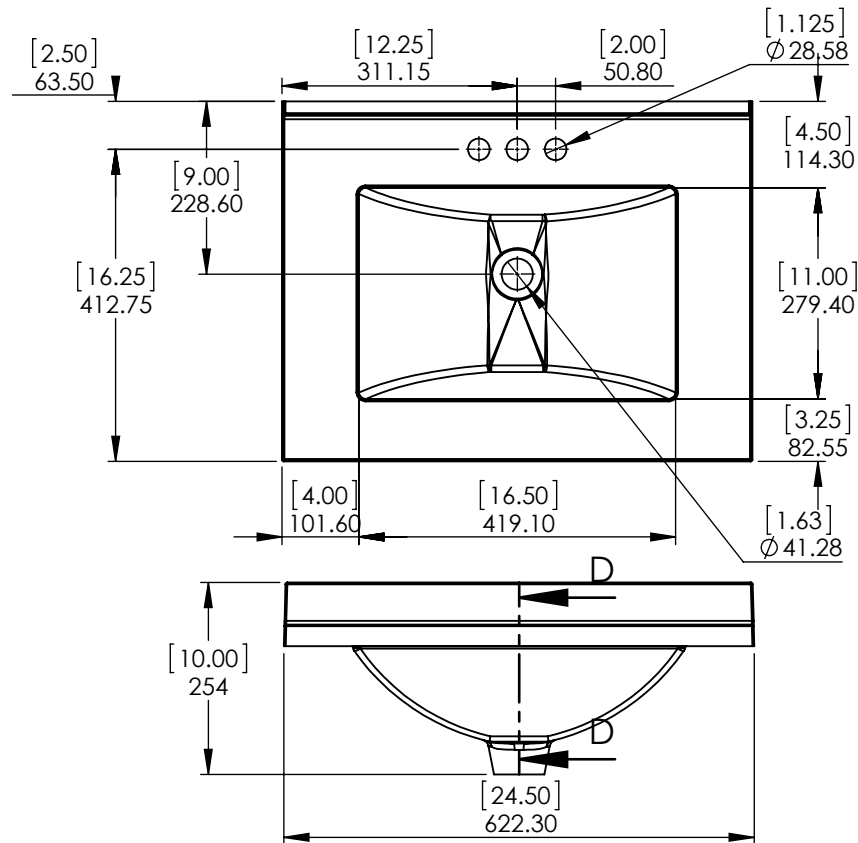


ID	Description	Technology	Status
595464	Vtop Bitono Rect 24.5x18.75 SS	Solid Surface / Caramel	Approved for production
595467	Vtop Bitono Rect 24.5x18.75 SS	Solid Surface / Titanium	Approved for Production
595453	Vtop Rect 24.5x18.75 White	Solid Color/ White	Approved for Production
595456	Vtop Bitono Rect 24.5x18.75 SS	Solid Surface / Autumn	Approved for Production
SS2419R-TI	Glacier Bay 24.5 in. Solid Surface Vanity Top in Titanium with White Basin	Solid Surface / Titanium	Approved for Production

Rev #	Approved by	Change
1	V. Sanchez	New Model Added
2	I. Sandate	New Model Added
3	R.Rubio	New Model Added



NOTE: MAX. WARPAGE TOLERANCE 1/8"

PROPRIETARY AND CONFIDENTIAL

THE INFORMATION CONTAINED IN THIS DRAWING IS THE SOLE PROPERTY OF WOODCRAFTERS. ANY REPRODUCTION IN PART OR AS A WHOLE WITHOUT THE WRITTEN PERMISSION OF WOODCRAFTERS IS PROHIBITED.

UNLESS OTHERWISE SPECIFIED

DIMENSIONS ARE IN MM. AND (INCHES)

TOLERANCES ARE +0.125 [3.175] - 0.125 [-3.175]

SCALE:1:8

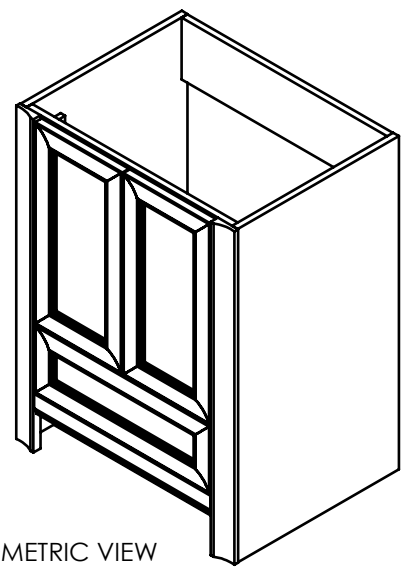
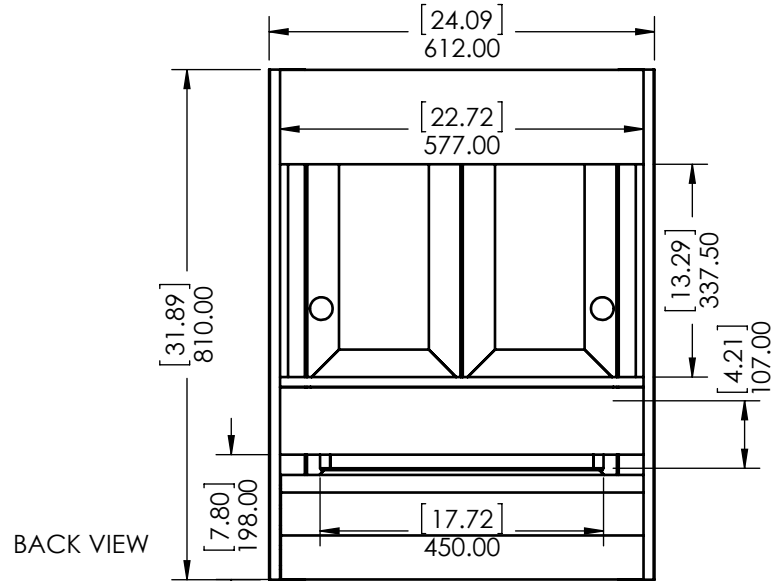
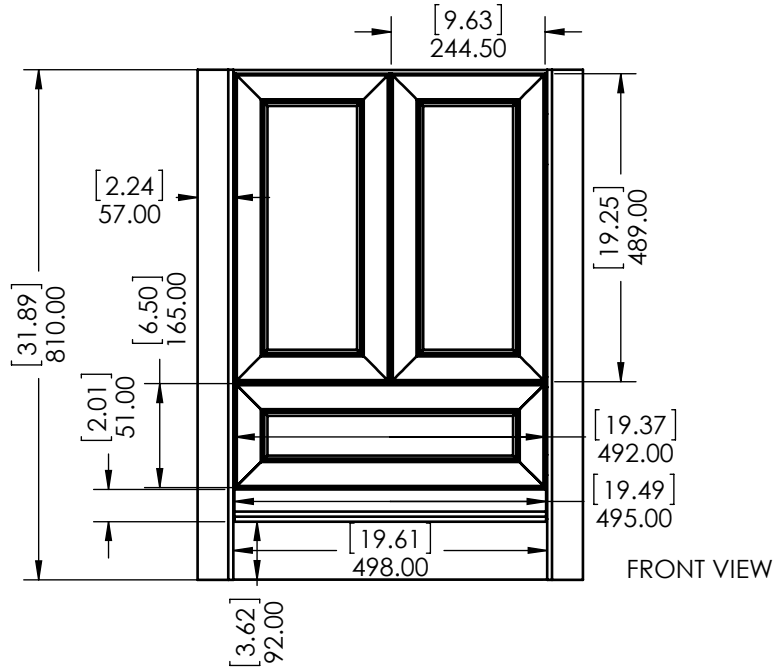
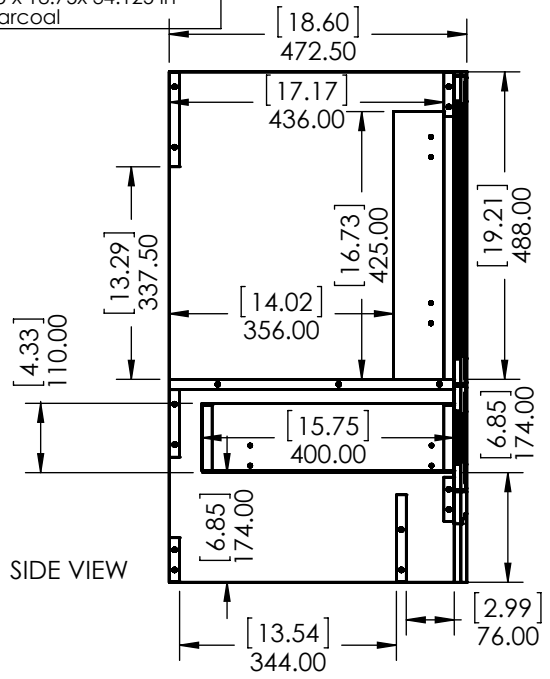
	NAME	DATE
DRAWN	R. Rubio	3/30/15
CHECKED	R. Rubio	3/30/15
ENG APPR.	R. Rubio	6/29/16
MFG APPR.	C. Leal	6/29/16



SIZE	DWG. NO.	SHEET 1 OF 1	REV. 3
A	2 Tone 24.5 x 18.75 Rect. - FG		

ITEM ID	DESCRIPTION
CD24P2-CG	Candlesby 24.5 x 18.75x 34.125 in cognac
CD24P2-PW	Candlesby 24.5 x 18.75x 34.125 in pewter
CD24P2-CL	Candlesby 24.5 x 18.75x 34.125 in charcoal

REV	ECO#	DESCRIPTION	REV'D BY DATE	CHK'D BY DATE	APR'V'D BY DATE
0		New Release	IASV 12/17/15	IASV 12/17/15	IASV 12/17/15



PROPRIETARY AND CONFIDENTIAL
 THE INFORMATION CONTAINED IN THIS DRAWING IS THE SOLE PROPERTY OF WOODCRAFTERS HOME PRODUCTS L.L.C. ANY REPRODUCTION IN PART OR AS A WHOLE WITHOUT THE WRITTEN PERMISSION OF WOODCRAFTERS HOME PRODUCTS L.L.C. IS PROHIBITED.

UNLESS OTHERWISE SPECIFIED
 DIMENSIONS ARE IN mm and [inches]
 AND TOLERANCES ARE +/- 1.0 [0.04]

DRAWN BY:	IASV	12/17/15
CHECKED BY:	IASV	12/17/15
APPROVED BY:	IASV	12/17/15
DO NOT SCALE DRAWING	SCALE: 1:10	SIZE: A

TITLE:	ENSAMBLE CANDLESBY 24"	
PART NO:	PAGE 1 OF 1	REV: 0