



CHIPPER ASSEMBLY GUIDE
MODEL: OPC504 and OPC506
4 and 6 INCH COMMERCIAL CHIPPER



DETAIL K2 INC.

DK2 POWER USA
4301 S Valley View Blvd STE 10-11
Las Vegas, NV 89103
1-702-331-5353

DETAIL K2, INC.
1080 Clay Avenue Unit 2
Burlington, Ontario, Canada L7L0A1

DK2 USA EAST
6245 Industrial Parkway
Whitehouse, OH 43571

TOLL FREE 1-888-277-6960 EMAIL – INFO@DETAILK2.COM

COMMERCIAL CHIPPER

SWING CHUTES
TOWABLE
KOHLER ENGINE



STEP 1: CHECK THE PACKING

Open and unpack all items. Leave lots of working space.
Inspect all parts.

The Chipper is shipped in a crate. Leave the sides folded down and use as your work space.

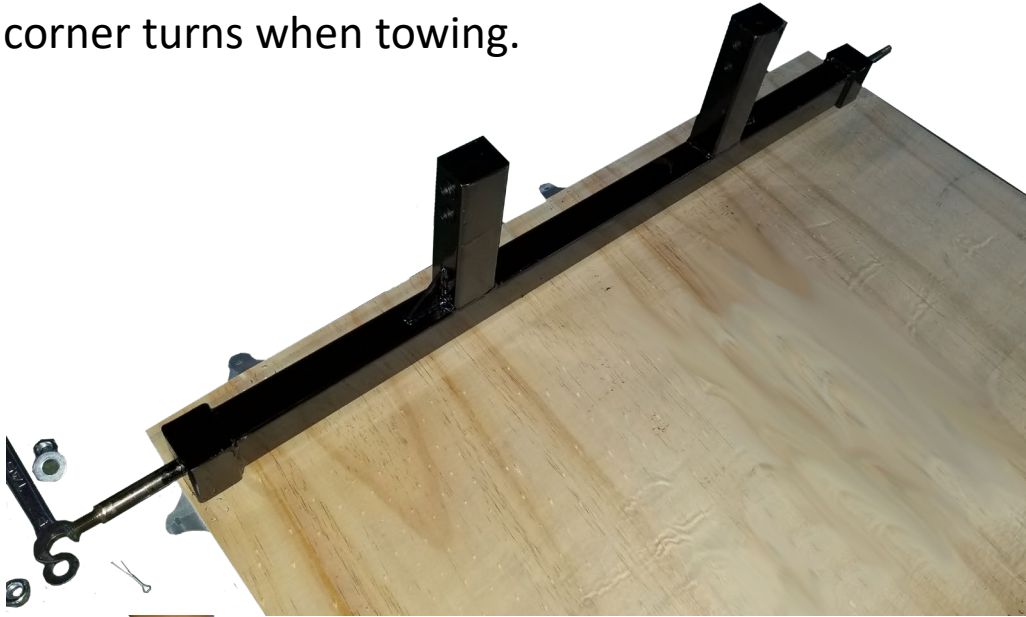


NOTE: UPON INSPECTION OF PARTS IF YOU FIND ANY DAMAGE OR MISSING PARTS PLEASE CALL DK2 POWER AT **702-331-3535** OR CONTACT US VIA OUR WEBSITE WWW.DK2POWER.COM
WE WILL REPLACE ANY DAMAGED or MISSING PARTS TO YOU FREE

PLEASE DO NOT RETURN TO THE STORE

STEP 2:

1. Remove all hardware from axle.
2. Install 2 wheels with washers, nuts, cotter pins and caps.
3. Your chipper tires are DOT approved and you can tow on the road. Safely tow at 25 mph max is recommended.
4. The extended axle is standard and adds stability on hills and corner turns when towing.



STEP 3:

1. Place rear wheel axle assembly on Chipper using supplied bolts and install both wheels.
2. Install the bolts from the OUTSIDE with the nuts on INSIDE.



STEP 4: INSTALL THE TOWBAR AND STAND ASSEMBLY

1. INSTALL THE TOW BAR HITCH USING 4 BOLTS. PLACE BOLTS FROM OUTSIDE AND PLACE NUTS ON INSIDE.
2. ASSEMBLE TOW STAND AND INSERT THE HITCH PIN
3. INSERT TOW BAR AND SECURE WITH TOW BAR SCREW LOCK



STEP 5: INSTALL CHIP CHUTE

1. INSTALL CHIP CHUTE ON BARN HINGES. SWING CHUTE CLOSED AND LOCK IT.
2. A RUBBER Mallet MAY BE USED IF NEEDED TO SET THE BARN HINGE PINS INTO THE MATING HINGES FOR THE FIRST TIME INSTALL.



STEP 6: INSTALL CHIP CHUTE DEFLECTOR

1. Install the Chip Chute Directional Deflector and tighten the locking handles.



STEP 7: INSTALL FEED CHUTE

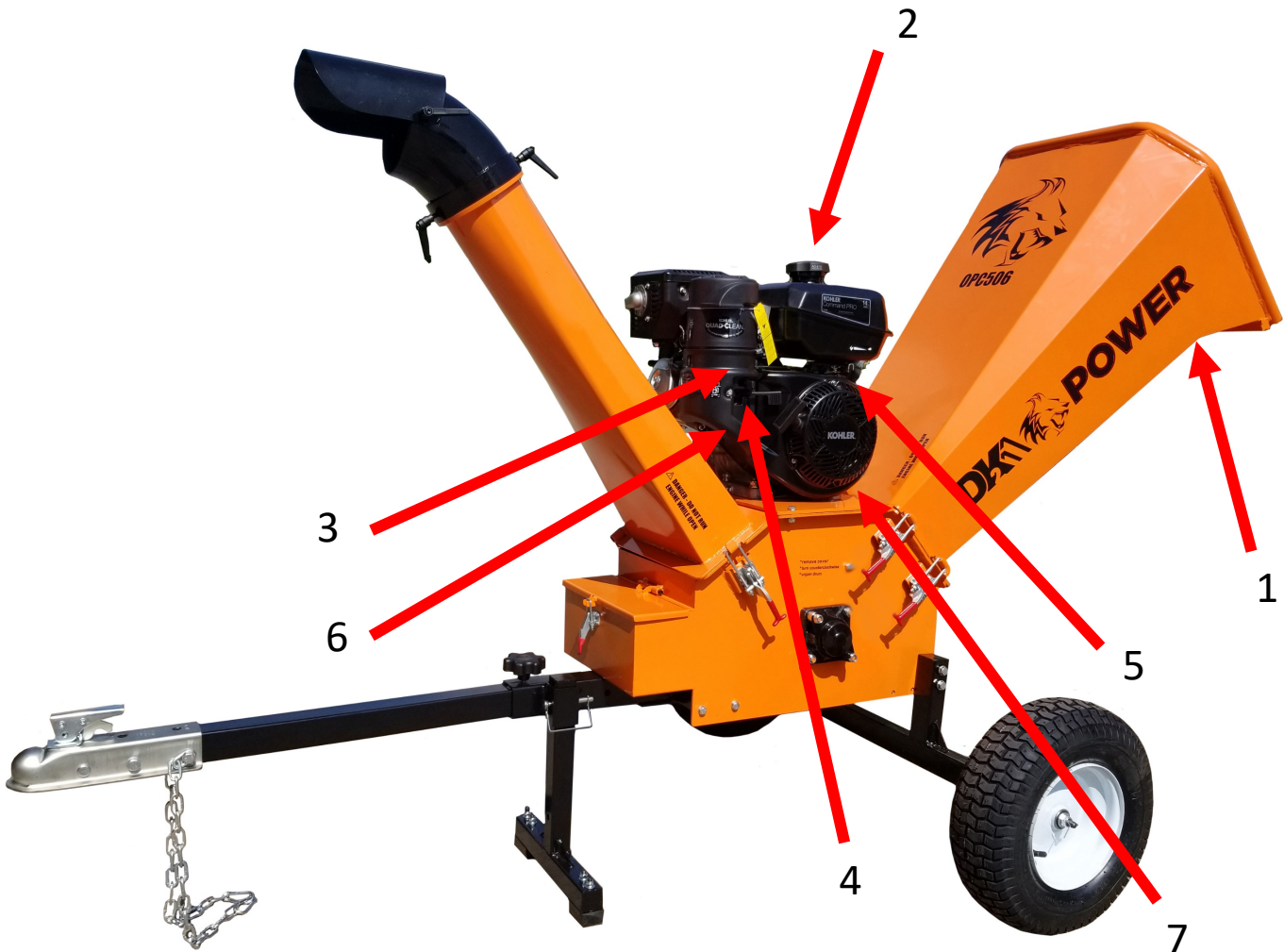
1. Install the feed chute on the 2 hinges. To seat the hinge pins for the first time a rubber mallet may be used to tap the pins into the hinges. These are tight fitting to reduce vibration noise.
2. Close the Chute and latch it.
3. Plug the safety key shut off wire connectors together.



CONNECT WIRING CONNECTORS

STEP 8:

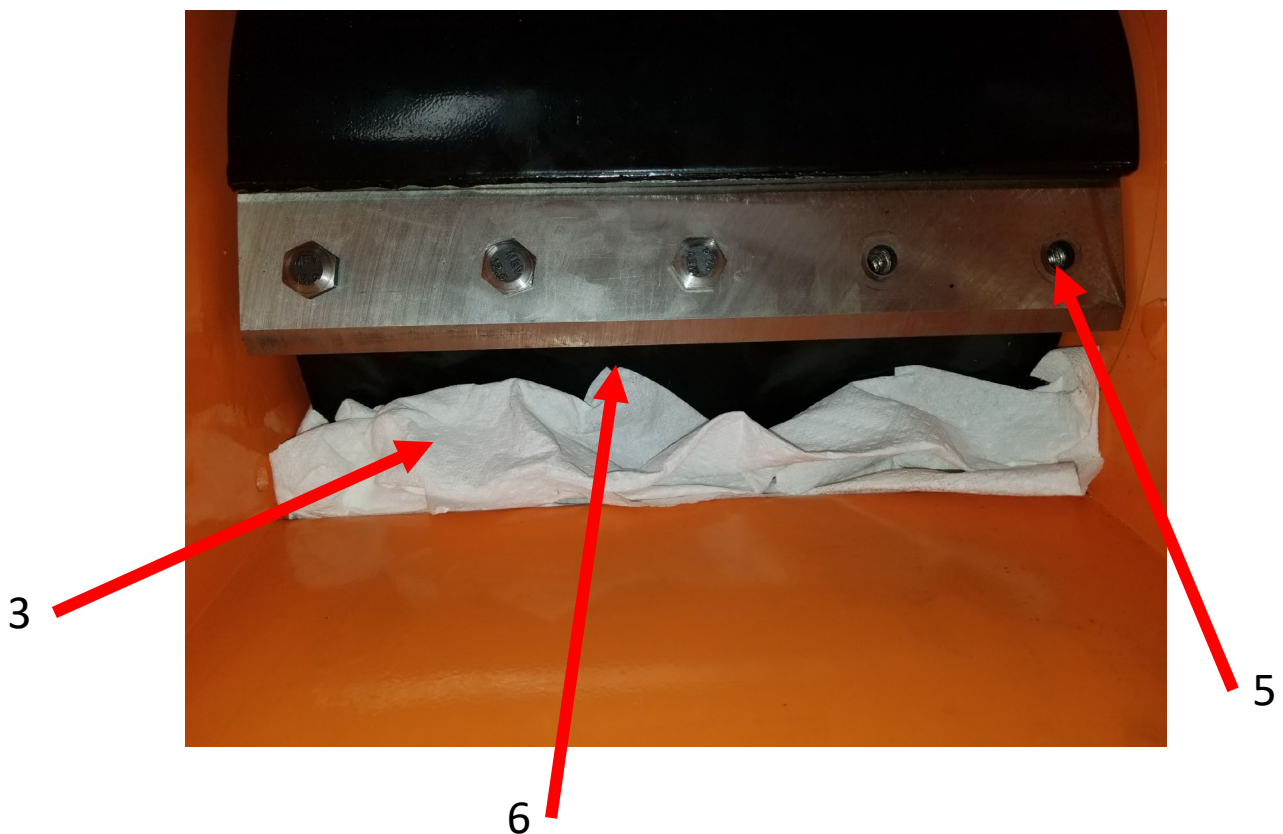
READ THE KOHLER ENGINE MANUAL SUPPLIED WITH YOUR UNIT FOR FULL ENGINE OPERATION, SAFETY, AND MAINTENANCE.

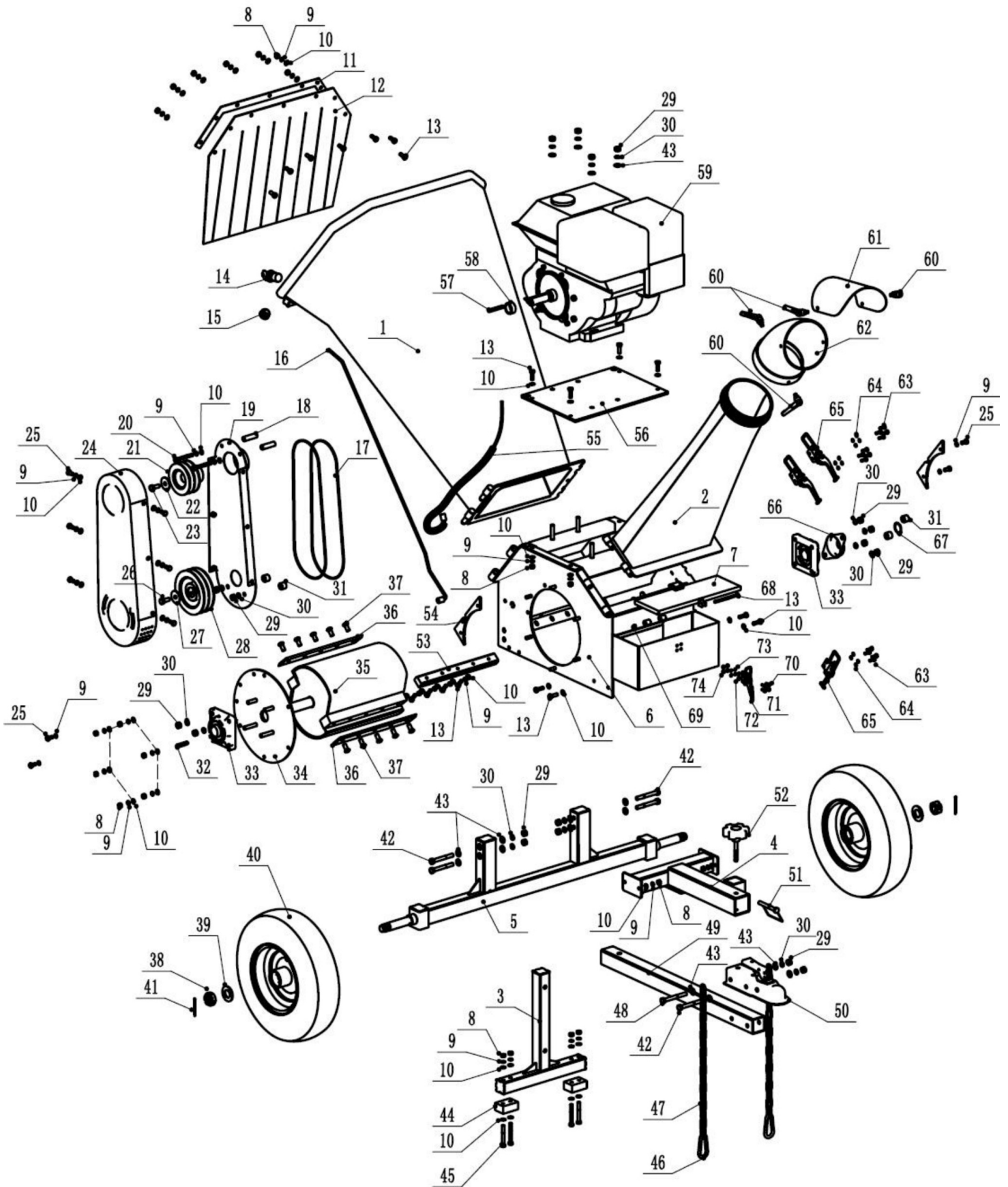


1	ON/OFF KEY LOCK
2	GAS – USE MID GRADE OR HIGHER
3	CHOKE – LEFT IS ON / RIGHT IS OFF (RUN POSITION)
4	GAS ON/OFF SWITCH – LEFT IS OFF / RIGHT IS ON
5	THROTTLE – RABBIT FAST / TURTLE SLOW
6	PULL STARTER – PULL TIGHT- THEN PULL START
7	OIL – FILL TO MARK 10W30, WILL NOT START IF OIL IS LOW, HAS LOW OIL SHUTOFF PROTECTION. 2 YELLOW CAPS ARE OIL FILL CAPS. USE EITHER ONE TO FILL OIL.

Your Chipper is equipped with dual REVERSABLE cutting blades.

1. Turn engine key off, remove key and unplug the spark plug.
2. Open the large feed chute
3. Before removing the bolts that mount the blades place paper towels in the area opening between the drum and the drum housing. This will prevent bolts from dropping into the drum housing.
4. Remove the first 4 bolts.
5. **Before removing the last bolt be sure to support the blade from sliding down into the drum.** More paper towels or a shop towel does a good job.
6. Remove the blade, reverse it to the new sharp edge and reinstall it. Use only DK2 POWER OEM blades.
7. Use Loctite on the bolt threads when replacing bolts.
8. Use the supplied T-Handle tool to remove and replace bolts
9. Wear protective gloves, the blades are very sharp.
10. Remove the paper towels, any paper left in the chipper will be cut up on the next running operation.





No.	Specification	No.	Specification
1	feed hopper	38	Hexagonal slotted thin nutM24*1.5
2	outlet hopper	39	washerø25*ø47.5*3.0
3	support foot	40	DOT Tire
4	tow bar connecting part	41	pinø4.0X40
5	wheel axle	42	boltM10*80
6	crush house	43	washerø10*ø22*2.2
7	tool box cover	44	rubber
8	M8 locknut	45	boltM8*65
9	ø8lockwasher	46	buckle
10	washerø8*ø16*1.6	47	chain
11	plate for protection sheet	48	boltM10*90
12	protection sheet	49	tow bar
13	hexagon headed boltM8X25	50	hitch trailer
14	key switch	51	Square latch
15	pipe plug	52	M10 knob
16	wire	53	blade gap adjusting plate
17	belt	54	feeding helper plate
18	Spacer sleeveø9*ø14*44	55	engine wire
19	Belt cover accessory plate	56	engine plate
20	boltM8*60	57	key
21	engine pulley	58	Spacer sleeveø26*ø35*15
22	washerø10*ø40*3.0	59	engine
23	bolt3/8-24UNF-25	60	knob
24	belt cover	61	outlet hopper adjusting plate
25	boltM8*16	62	upper part of outlet hopper
26	boltM10X25	63	bolt M6*16
27	washerø10*ø40*3.0	64	ø6lockwasher
28	rotor pulley	65	clip
29	M10locknut	66	bearing cap
30	ø10lockwasher	67	B shaft ringø30
31	Spacer sleeveø11*ø20*17	68	Inside hexagonal cylindrical head screwM6*90
32	key	69	M6locknut
33	Mounted Bearings	70	boltM5*16
34	steel plate for Mounted Bearing	71	clip
35	rotor	72	washerø5*ø10*1.0
36	blade	73	ø5lockwasher
37	blade bolt	74	M5locknut

OPERATION – BEFORE TURNING KEY AND PULL STARTING ENGINE

CLEAR AREA OF ALL PEOPLE AND PROPERTY THAT COULD BE DAMAGED. THINK SAFETY. CHIPS ARE FLYING PROJECTILES AND CAN CAUSE INJURY. CHECK BOTH CHUTES AND MAKE SURE THEY ARE CLOSED AND LOCKED. WEAR SAFETY GLASSES, HEARING PROTECTION, AND GLOVES

DO NOT WEAR LOOSE FITTING CLOTHES THAT COULD GET STUCK IN THE CHIPPER

ONLY CHIP WOOD, NO METAL OR PLASTIC.

CHILDREN SHOULD NOT RUN THIS EQUIPMENT

STAY ALERT OF YOUR SURROUNDING AND PERSONS THAT COULD APEAR IN THE CHIP PATH WHILE YOU ARE WORKING.

FEED LARGE DIA TREES SLOWLY INTO THE CUTTING DRUM ALLOWING THE DRUM TO REGAIN RPM AND CUTTING SPEED BETWEEN CUTS.

RUN ALL CONTENTS IN THE HOPPER THROUGH THE MACHINE BEFORE SHUTTING ENGINE OFF TO PREVENT LOOSE WOOD FROM LOGING BETWEEN BLADES JAMMING DRUM BEFORE YOUR NEXT ENGINE START UP. REMOVE SMALL SIDE COVER WITH 2 NUTS AND TURN DRUM COUNTERCLOCKWISE TO FREE UP WOOD STUCK IN THE BLADE.

NEVER RUN CHIPPER WITH CHUTES OPEN. RUNNING A MACHINE WITH CHUTES OPEN CAN CAUSE INJURY OR DEATH.

READ AND OBEY ALL WARNING LABELS ON THIS MACHINE.

TOW THE MACHINE 25 MPH MAX.



PLEASE DO NOT RETURN TO THE STORE

YOU HAVE A 1 YEAR WARRANTY AND DK2 WILL REPLACE A DEFECTIVE PART FOR FREE

CALL US AT 702-331-5353 FOR FAST WARRANTY PARTS AND QUESTIONS

WHAT IS COVERED

DK2 Inc. warrants to the original purchaser of any DK2 product that it will be free and clear of manufacturing defects in workmanship and materials under normal use and service for a period of one (1) year from the date of the original purchase.

If within one (1) year from the original date of purchase this product fails due to defect in material or workmanship, Detail K2 will repair, replace, or supply any defective part at our option for DK2 trailer products. DK2 POWER outdoor power equipment is 1-year parts only warranty no labor.

Upon expiry of one (1) year, Detail K2 will have no further liability related to the product. Detail K2 does not authorize any party, including its authorized distributors or dealers, to offer any other warranty on behalf of Detail K2 Inc.

KOHLER ENGINES – KOHLER CH SERIES ENGINES COMMERCIAL 3 YR PARTS AND LABOR WARRANTY

KOHLER ENGINES – KOHLER SH SERIES ENGINES RESIDENTIAL 2 YR PARTS AND LABOR WARRANTY

see your Kohler manual for specific warranty.

DIESEL TRACTORS – Chassis component parts only, no labor, ENGINES – 1 YR KOHLER WARRANTY

3PT EQUIPMENT – 1-YEAR parts only, Gearbox drive unit 3-year warranty parts only.

DK2 POWER OUTDOOR EQUIPMENT – 1-Year parts only, no labor. 3-year commercial Kohler warranty.

THIS WARRANTY DOES NOT COVER OR APPLY TO:

Damage to the product due to misuse, mishandling and abuse

(b) Improper installation, maintenance and storage

(c) Expendable parts such as nuts and bolts, pins and springs, wiring and switch components, hydraulic hoses and fittings, cutting teeth, cutting chains, cutting blades, throttles, belts and tires.

(d) Normal wear and tear

(e) Consequential damage & incidental damages such as damage to persons or property

PROCEDURE FOR OBTAINING AN RETURN AUTHORIZATION

Within the one (1) year warranty period, the purchaser of the product must notify DK2 of the claimed defect and provide proof of original purchase. At this time the validity of the claim will be determined, and if approved replacement parts will be issued.

A Return Goods Authorization Number (RGA) will be issued if approved for DK2 Automotive products. No returned product will be accepted under warranty unless accompanied by an RGA# issued by Detail K2 Inc.

RESOLUTION FOR A DEFECTIVE PRODUCT

DK2 POWER – Tractors, Chippers, Stump Grinders, Log Splitters, 3pt, and Outdoor Power Equipment.

Call DK2 at **702-331-5353** in Las Vegas between 8am-4pm M-F Pacific Time.

DK2 Snow, Trailer, Rack and Winch Products.

Call DK2 at **888-277-6960** in Burlington Canada between 8am-4pm M-F Eastern Time.