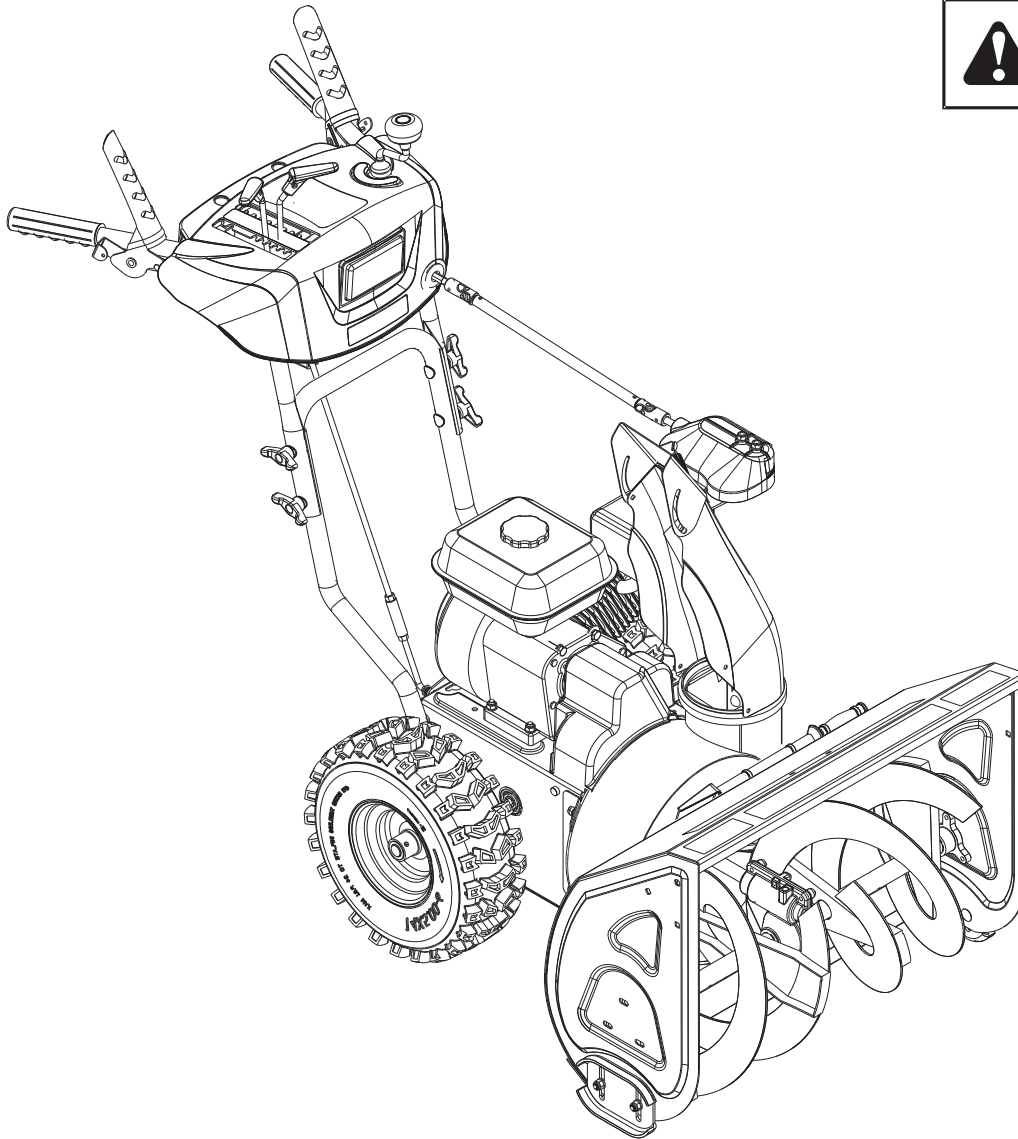


en **Operator's Manual** - Dual Stage Snowthrower

es **Manual del operador** - Lanzanieve de dos etapas

fr **Manuel d'utilisation** - Souffleuse à neige à deux phases



Products Covered by This Manual

The following products are covered by this manual: 1696614-00, 1696616-00, 1696619-00, 1696620-00.

Manual Contents


- Operator Safety2
- Safety System Tests7
- Features and Controls8
- Operation9
- Maintenance 12
- Troubleshooting 18
- Specifications 19


NOTE: Please refer to the Customer Contact Guide and Setup Instructions for additional information about this product.


The images in this document are representative. Your unit may vary from the images displayed. LEFT and RIGHT are as seen from the operator's position.


Operator Safety

Safety Alert Symbol and Signal Words

The safety alert symbol  is used to identify safety information about hazards that can result in personal injury. A signal word (DANGER, WARNING, or CAUTION) is used with the alert symbol to indicate the likelihood and the potential severity of injury. In addition, a hazard symbol may be used to represent the type of hazard.

 **DANGER** indicates a hazard which, if not avoided, will result in death or serious injury.















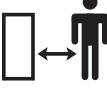

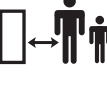

 **WARNING** indicates a hazard which, if not avoided, could result in death or serious injury.

 **CAUTION** indicates a hazard which, if not avoided, could result in minor or moderate injury.


NOTICE indicates an action that could result in damage to the product.

Hazard Symbol Chart

Snowthrower Hazard Symbols

Symbol	Meaning	Symbol	Meaning
	Safety information about hazards that can result in personal injury.		Read and understand the operator's manual before operating or servicing the unit.
	Amputation hazard - rotating impeller.		Remove the key before performing service.
	Amputation hazard - rotating impeller.		Amputation hazard - rotating auger.
	Amputation hazard - do not touch moving parts.		Thrown objects hazard.
	Fire hazard.		Explosion hazard.
	Shock hazard.		Toxic fume hazard.
	Hot surface hazard.		Ear protection recommended for extended use.
	Keep a safe distance.		Wear safety glasses.
	Keep children away.		Kickback hazard.

Recycling Information



All packaging, used oil, and batteries should be recycled according to applicable government regulations.

Safety Messages



WARNING

U.S.A. Models: Certain components in this product and its related accessories contain chemicals known to the state of California to cause cancer, birth defects, or other reproductive harm. Wash hands after handling.



WARNING

U.S.A. Models: The engine exhaust from this product contains chemicals known to the State of California to cause cancer, birth defects, or other reproductive harm.



DANGER



- Hand contact with the rotating impeller inside the discharge chute is the most common cause of injury associated with snowthrowers.
- This snowthrower is capable of amputating hands and feet, and throwing objects. Read and observe all the safety instructions in this manual. Failure to do so could result in death or serious injury.



WARNING



Read, understand, and follow all the instructions on the snowthrower and in the operator's manual before operating this unit.

Failure to observe the safety instructions in this manual could result in death or serious injury.

- Be thoroughly familiar with the controls and the proper use of the snowthrower.
- Make sure you are properly trained before operating the snowthrower.
- Know how to stop the unit and disengage the controls quickly.
- Never allow anyone to operate the snowthrower without proper instruction.
- Always follow the instructions in the operator's manual, if the snowthrower will be stored for an extended period.
- Maintain or replace safety and instruction labels as necessary.
- Never attempt to make major repairs on the snowthrower unless you have been properly trained. Improper servicing of the snowthrower can result in hazardous operation, equipment damage, and voiding of the product warranty.



DANGER



The discharge chute contains a rotating impeller to throw snow. Never clear or unclog the discharge chute with your hands. Fingers can quickly become caught in the impeller. Always use a clean-out tool.

Failure to observe these safety instructions will result in traumatic amputation or severe laceration.



DANGER



Keep hands, feet, and clothing away from rotating parts. Rotating parts can contact or entangle hands, feet, hair, clothing, or accessories.

Failure to observe these safety instructions will result in traumatic amputation or severe laceration.

- Whenever cleaning, repairing, or inspecting the snowthrower, make sure the engine is OFF, spark plug wire is disconnected, and all moving parts have stopped.
- Do not put hands or feet near or under rotating parts. Keep clear of the discharge opening at all times.
- Never operate the snowthrower without proper guards, and other safety devices in place and working.
- Never leave the snowthrower unattended while engine is running. Always disengage the auger and traction controls, stop engine, and remove keys.
- Keep all loose clothing away from the front of the snowthrower and auger. Scarves, mittens, dangling drawstrings, loose clothes, and pants can quickly become caught in the rotating device and amputation will occur. Tie up long hair and remove jewelry.
- Run the machine a few minutes after discharging snow to prevent freeze-up of the collector/impeller.
- Disengage power to the collector/impeller when snowthrower is transported or not in use.



WARNING

Objects can be picked up by the auger and thrown from the chute. Never discharge snow toward bystanders or allow anyone in front of the snowthrower. Failure to observe these safety instructions will result in death or serious injury.

- Always wear safety glasses or eye shields during operation, and while performing an adjustment or repair.
- Always be aware of the direction the snow is being thrown. Nearby pedestrians, pets, or property may be harmed by objects being thrown.
- Be aware of your environment while operating the snowthrower. Don't run over items such as gravel, doormats, newspapers, toys, and rocks hidden under snow, as they can all be thrown from the chute or jam in the auger.
- Use extreme caution when operating on or crossing gravel drives, walks, or roads.
- Adjust the collector housing height to clear gravel or crushed rock surface.
- Never operate the snowthrower near glass enclosures, automobiles, window wells, drop-offs, and the like without proper adjustment of the discharge chute angle.
- Familiarize yourself with the area in which you plan to operate the snowthrower. Mark off boundaries of walkways and driveways.



WARNING

Tragic accidents can occur if the operator is not alert to the presence of children. Children are often attracted to the unit and the operating activity. Never assume that children will remain where you last saw them.

- Keep children out of the area during operation. Children are often attracted to the equipment. Be mindful of all persons present.
- Be alert and turn the unit off if children enter the area.
- Never allow children to operate the unit.
- Use extra care when approaching blind corners, shrubs, trees, or other objects that may obscure vision. Children may be present.



WARNING

Engines give off carbon monoxide, an odorless, colorless, poisonous gas. Breathing carbon monoxide can cause nausea, fainting, or death.

- Start and run the engine outdoors.
- Do not run the engine in an enclosed area, even if doors and windows are open.



WARNING

Fuel and its vapors are extremely flammable and explosive. Always handle fuel with extreme care.

Failure to observe these safety instructions can cause a fire or explosion which will result in severe burns or death.

When Adding Fuel

- Turn off engine and let cool at least 2 minutes before removing the fuel cap and adding fuel.
- Fill fuel tank outdoors or in a well ventilated area.
- Do not overfill the fuel tank. To allow for the expansion of gasoline, do not fill above the bottom of the fuel tank neck.
- Keep fuel away from sparks, open flames, pilot lights, heat, and other ignition sources.
- Check fuel lines, cap, and fittings frequently for cracks or leaks. Replace if necessary.
- Use an approved fuel container.
- If fuel spills, wait until it evaporates before starting engine.

When Starting Engine

- Ensure that spark plug, muffler, fuel cap, and air cleaner (if equipped) are in place and secured.
- Do not crank the engine with the spark plug removed.
- If fuel is spilled, do not attempt to start the engine, but move the snowthrower away from the area of the spill, and avoid creating any source of ignition, until the fuel vapors have dissipated.
- Do not over-prime the engine. Follow the engine starting instructions in this manual.
- If the engine floods, set choke (if equipped) to OPEN/RUN position, move throttle (if equipped) to FAST position and crank until engine starts.

When Operating Equipment

- Do not tip the snowthrower at an angle which causes the fuel to spill.
- Do not choke the carburetor to stop the engine.
- Never run the engine with the air cleaner assembly (if equipped) or the air filter (if equipped) removed.

When Changing Oil

- If you drain the oil from the top oil fill tube, the fuel tank must be empty or fuel can leak out and result in a fire or explosion.

When Transporting Equipment

- Transport with fuel tank EMPTY, or with fuel shut-off valve OFF.

When Storing Gasoline or Equipment With Fuel in Tank

- Store away from furnaces, stoves, water heaters, or other appliances that have pilot light or other ignition source because they can ignite fuel vapors.



WARNING



Safe operation of the snowthrower requires the proper care and maintenance of the engine.

- Disengage all clutches and shift into neutral before starting the engine.
- Let the engine adjust to outdoor temperatures before starting to clear snow.
- Use a grounded three-wire plug for all snowthrowers equipped with electric drive motors or electric starting motors.



WARNING



Starting the engine creates sparking.

Sparking can ignite nearby flammable gases.

Explosion and fire could result.

- If there is natural gas or LP gas leakage in the area, do not start the engine.
- Do not use pressurize starting fluids because their vapors are flammable.



WARNING



Running the engine produces heat. Engine parts, especially the muffler, become extremely hot.

Failure to observe these safety instructions could result in severe thermal burns on contact.

- Never touch a hot engine or muffler. Allow muffler, engine cylinder, and fins to cool before touching.
- Remove debris from muffler area and cylinder area.
- Install and maintain in working order a spark arrester before using equipment on forest-covered, grass-covered, or brush-covered unimproved land.
- **U.S.A. Models:** It is a violation of California Public Resource Code Section 4442 to use or operate the engine on any forest-covered, brush-covered, or grass-covered land unless the exhaust system is equipped with a spark arrester, as defined in Section 4442, maintained in effective working order. Other states or federal jurisdictions may have similar laws. Contact the original equipment manufacturer, retailer, or dealer to obtain a spark arrester designed for the exhaust system installed on this engine.



WARNING



This snowthrower must be properly maintained to ensure safe operation and performance. Failure to observe the safety instructions in this manual could result in death or serious injury.

- When performing any maintenance or repairs on the snowthrower, shut OFF the engine, disconnect spark plug wire, and keep the wire away from the plug to prevent someone from accidentally starting the engine.
- Check shear bolts and other hardware at frequent intervals for proper tightness.
- Keep nuts and bolts tight and keep snowthrower in good condition.
- Never tamper with safety devices. Check their proper operation regularly and make necessary repairs if they are not functioning properly.
- Components are subject to wear, damage, and deterioration. Frequently check components and replace with recommended parts, when necessary.
- Check control operation frequently. Adjust and service as required.
- Use only factory authorized replacement parts, or like, parts when making repairs.
- Always comply with factory specifications on all settings and adjustments.
- Use only factory authorized, or like, attachments and accessories such as wheel weights, counterweights, or cabs.
- Never attempt to make any adjustments while the engine is running (except when specifically recommended by the factory).



WARNING

This snowthrower is only as safe as the operator. If it is misused, or not properly maintained, it can be dangerous. Remember you are responsible for your safety and those around you.

- Keep the area of operation clear of all persons, particularly small children and pets.
- Thoroughly inspect the area where the snowthrower will be used and remove all doormats, sleds, boards, wires, and other foreign objects.
- Do not operate the snowthrower without wearing adequate winter clothing.
- Wear footwear that will improve footing on slippery surfaces.
- Use caution to avoid slipping or falling especially when operating the snowthrower in reverse.
- Never operate the snowthrower without good visibility or light. Always be sure of your footing, and keep a firm hold on the handles.
- Do not clear snow across the face of slopes. Use extreme caution when changing direction on slopes. Do not attempt to clear steep slopes.
- Do not overload the machine capacity by attempting to clear snow too quickly.
- Never operate the snowthrower at high transport speeds on slippery surfaces. Look behind the snowthrower and use care when operating in reverse.
- Do not use the snowthrower on surfaces above ground level such as roofs of residences, garages, porches, or other such structures or buildings.
- Operators should evaluate their ability to operate the snowthrower safely enough to protect themselves and others from injury.
- The snowthrower is intended to remove snow only. Do not use the snowthrower for any other purpose.
- Do not carry passengers.
- After striking a foreign object, shut OFF the engine, disconnect the cord on electric motors, thoroughly inspect the snowthrower for any damage, and repair the damage before restarting and operating the snowthrower.
- If the snowthrower vibrates abnormally, shut OFF the engine. Vibration is generally a warning of trouble. See an authorized dealer if necessary for repairs.
- For models equipped with electric starting motors, disconnect the power cord after the engine starts.



WARNING



Damaged or ungrounded power cords could cause electric shock.

Electric shock could cause severe burns or death.

When Using the Electric Starter

- The power cord must be properly grounded at all times.
- Use only a three-conductor power cord properly grounded to the power source.
- If the power cord is damaged, it must be replaced by a qualified person to avoid a hazard.



WARNING



Rapid retraction of the starter cord (kickback) will pull your hand and arm toward the engine faster than you can let go.

Broken bones, fractures, bruises, or sprains could result.

When starting the engine

- Pull the starter cord slowly until resistance is felt and then pull rapidly to avoid kickback.

Safety Decals

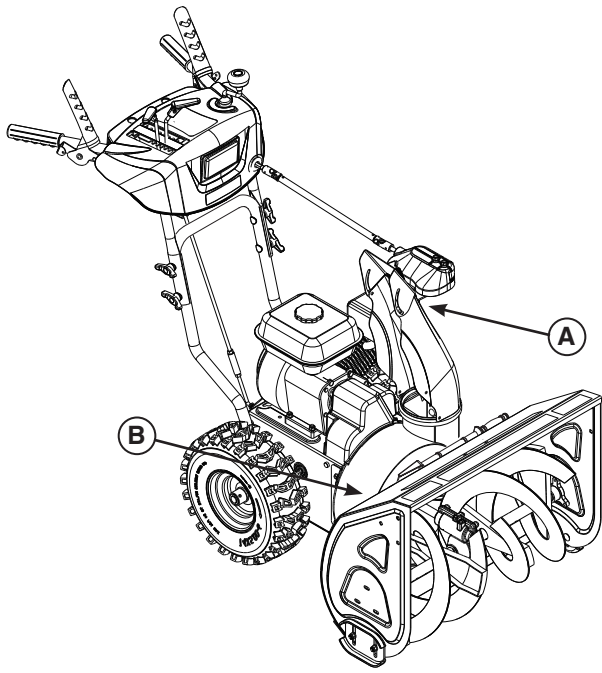
Before operating your unit, read the safety decals. Compare Figure 1 with the table below. The cautions and warnings are for your safety. To avoid personal injury or damage to the unit, understand and follow all the safety decals.



WARNING

If any safety decals become worn or damaged, and cannot be read, order replacement decals from your local dealer.

1



Safety System Tests



DANGER



Amputation hazard

This snowthrower is equipped with several mechanical safety systems designed to keep the operator safe while using the unit. Check the operation of these systems regularly using the safety system tests listed. If the unit fails to operate as described, **DO NOT** operate it. See your authorized dealer for service immediately.

Test 1 - Auger/Impeller Control

With the engine running:

- Press down on the auger control lever. (The auger/impeller should rotate)
- Release the auger control lever. (The auger/impeller must stop within 5 seconds)

Test 2 - Traction Drive Control

With the engine running and speed control in 1st gear:

- Press down on the traction control lever. (The unit should move forward)
- Release the traction control lever. (The unit must stop)

Test 3 - Free Hand Control

With the engine running:

- Engage the auger and traction control levers, then release the auger control lever. (Both controls should remain engaged)
- Next, release the traction control lever. (Both controls must release)

<p>A</p>	<p>Chute Danger Decal (P/N 1737865)</p>	
<p>B</p>	<p>Auger Danger Decal (large-frame models) (P/N 1737866)</p>	

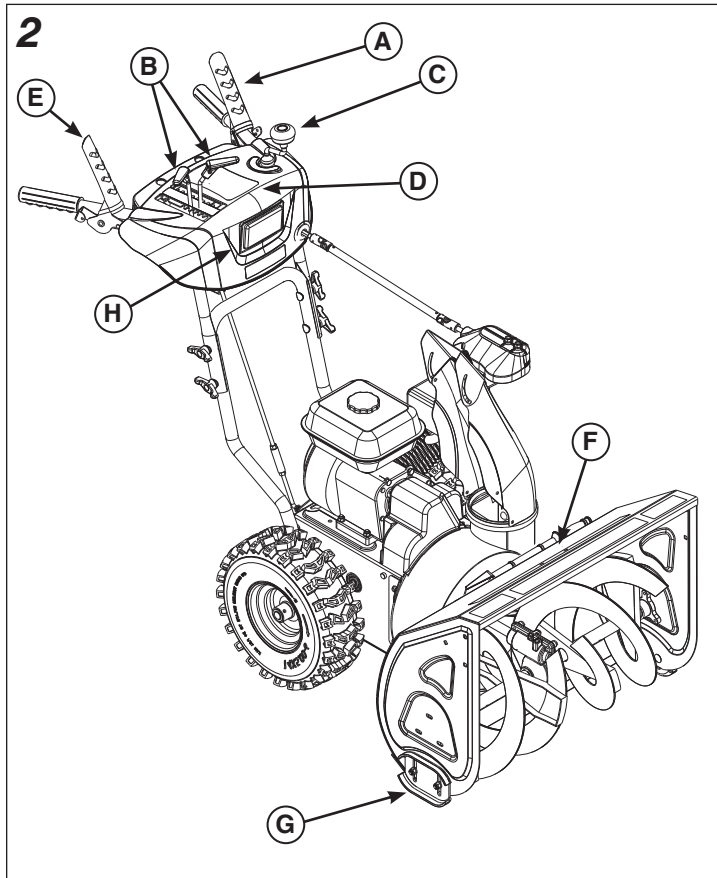
Features and Controls

Engine Features and Controls

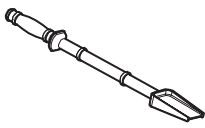

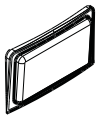
Please refer to the engine operator's manual for engine features and controls

Snowthrower Features and Controls

Compare Figure 2 with the table below.



A		<p>Auger Control Lever - Used to engage and disengage the auger and impeller.</p>
B		<p>Speed Select Lever - Allows the operator to select forward and reverse speeds.</p> <p>NOTICE: Do not move speed select lever while Traction Control is engaged. This may result in severe damage to the drive system.</p> <p>Deflector Control - In-Dash - Used to control the angle of the deflector (up or down).</p>
C		<p>Chute Rotation Crank - In-Dash - Used to rotate the discharge chute to the left or right.</p>
D		<p>Free Hand™ Control - After engaging the traction control (right hand) and auger control (left hand), allows the operator to release the auger control lever to use other controls.</p>
E		<p>Traction Control Lever - Used to propel snowthrower forward or reverse. See also, "Free-Hand Control".</p>

F		Clean-Out Tool - Used to remove snow and debris from the discharge chute and the auger housing.
G		Skid Shoes - Used to adjust the ground clearance of the auger housing.
H		Headlight - Illuminates the area in front of the snowthrower. NOTE: Headlight design varies according to model.

Operating the Snowthrower



Amputation hazard

The discharge chute contains a rotating impeller to throw snow. Fingers can quickly become caught in the impeller. Never clear or unclog the discharge chute with your hands. Always use a clean-out tool.

Failure to observe these safety instructions will result in traumatic amputation or severe laceration.

Hand contact with the rotating impeller inside the discharge chute is the most common cause of injury associated with snowthrowers. Never use your hands to clean out the discharge chute.

To safely clear a clogged discharge chute, follow these instructions:

1. Shut OFF the engine.
2. Wait 10 seconds to be sure the impeller blades have stopped rotating.
3. Always use a clean-out tool, not your hands.

Operation

Before Operating the Snowthrower



Read the operator's manual before operating the machine. This machine can be dangerous if used carelessly.

- Never operate the snowthrower without all guards, covers, and shields in place.
- Stop the engine whenever leaving the operating position.
- Remove the key before unclogging the impeller housing or discharge chute, and before making repairs or adjustments.
- When leaving the machine, remove the key.
- To reduce the risk of fire, keep the machine clean and free from spilled fuel, oil, and debris.
- On electric start models, disconnect the extension cord before operating.
- Be sure to check the engine oil level before starting the engine. See the engine operator's manual for oil recommendations.



Toxic fume hazard

Engines give off carbon monoxide, an odorless, colorless, poison gas.

Breathing carbon monoxide can cause nausea, fainting, or death.

- Start and run the engine outdoors.
- Do not run the engine in an enclosed area, even if doors and windows are open.



Thrown objects hazard

This machine is capable of throwing objects that could injure bystanders, or cause damage to buildings.

Be sure the operating area is clear of bystanders. Never direct the discharge toward anyone, or toward buildings or cars.

1. Start the engine. Please refer to the engine operator's manual for engine instructions.

NOTE: Always set engine speed to FAST (full throttle).

2. Rotate the chute rotation crank (C, Figure 2) to set the direction of the discharge chute.
3. Use the deflector control lever (F) to move the deflector up or down. Raise the deflector to throw snow further.
4. Use the speed select lever (B) to select the forward or reverse drive speed. Use lower speeds when clearing wet, heavy snow. Use higher speeds for light snow or transporting.

NOTE: Always release the traction control lever before changing speeds.

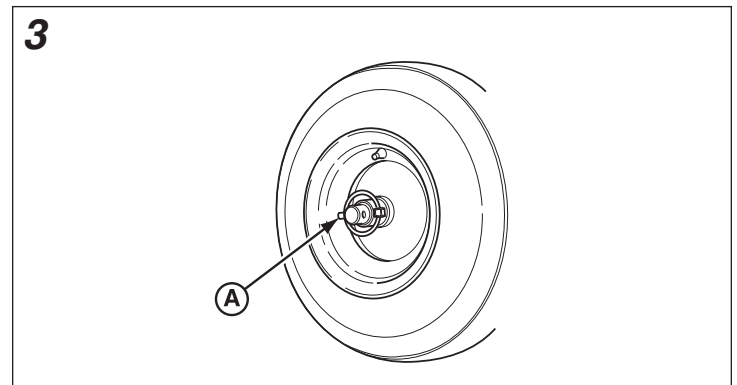
5. Fully press the auger control lever (A) to engage the auger. Release the lever to stop the auger.
6. Fully press and hold the traction control lever/Free Hand control (A, E) to engage the traction drive and propel the snowthrower. Release the lever to stop the snowthrower.
7. On models equipped with Free Hand controls, when both the auger (A) and traction control levers (E) are pressed, the Free Hand control is activated. This allows you to release the auger control lever (A) to use other controls. The auger will continue to rotate until the traction control lever/Free Hand control lever is released.
8. This model is equipped with a headlight (I) to help illuminate the area in front of the snowthrower. The headlight is operational whenever the snowthrower is running.

Stopping the Snowthrower

1. Release the auger control lever (A, Figure 2).
2. Release the traction control lever (E).
3. Stop the engine. Please refer to the engine operator's manual for engine instructions.

Wheel Release - Lock Pins




Wheels equipped with a traction lock pin (A, Figure 3) can be completely released by removing the pin and installing it in the outer axle hole. Reverse this process to engage the drive wheel.



Filling the Fuel Tank

Please refer to the engine operator's manual for instructions about filling the fuel tank, and for fuel recommendations.

Clearing a Clogged Discharge Chute

 **DANGER**  

Amputation hazard

The discharge chute contains a rotating impeller to throw snow. Fingers can quickly become caught in the impeller. Never clear or unclog the discharge chute with your hands. Always use a clean-out tool.

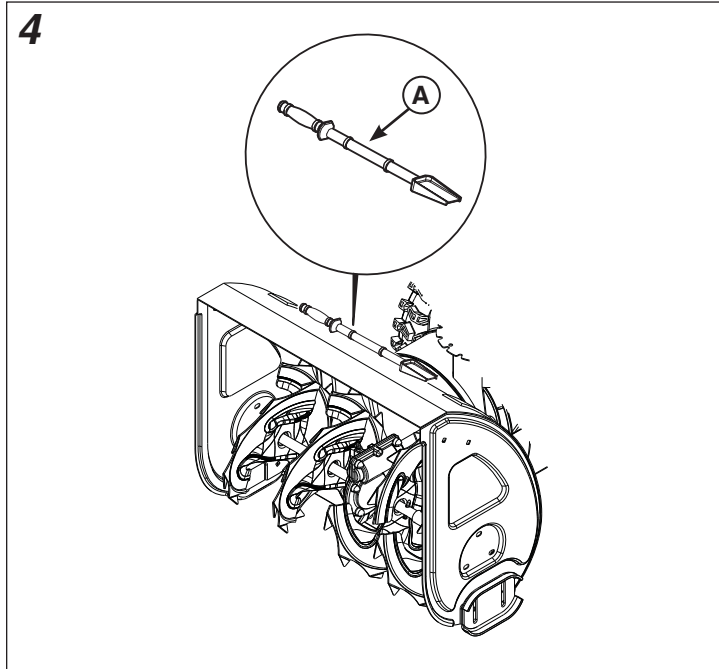
Failure to observe these safety instructions will result in traumatic amputation or severe laceration.

Hand contact with the rotating impeller inside the discharge chute is the most common cause of injury associated with snowthrowers. Never use your hands to clean out the discharge chute.

A clean-out tool (A, Figure 4) is provided with the unit.

To safely clear a clogged discharge chute, follow these instructions:

1. Shut OFF the engine.
2. Wait 10 seconds to be sure the impeller blades have stopped rotating.
3. Always use a clean-out tool, not your hands.



Skid Shoe Height Adjustment



DANGER



Amputation hazard

The discharge chute contains a rotating impeller to throw snow. Fingers can quickly become caught and traumatic amputation or severe laceration will result. Hand contact with the rotating impeller inside the discharge chute is the most common cause of injury associated with snowthrowers.

Turn the engine OFF, wait for all moving parts to stop, and remove the engine key before performing any maintenance or repairs.



WARNING



Thrown objects hazard

Objects such as gravel, rocks, or other debris, if struck by the impeller, may be thrown with sufficient force to cause personal injury, property damage, or damage to the snowthrower.

Be sure to set the skid shoes at the proper height to maintain ground clearance for the type of surface being cleared.

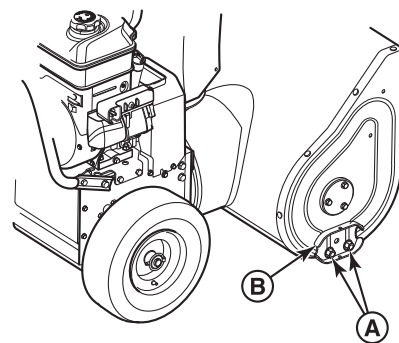
This snowthrower is equipped with two skid shoes secured to the outside of the auger housing. These adjust the height of the front of the snowthrower.

When removing snow from a hard surface area such as a paved driveway or walk, raise the skid shoes to bring the front of the snowthrower down.

When removing snow from gravel-covered or uneven surfaces, lower the skid shoes to bring the front of the snowthrower up. This will help to prevent rocks and other debris from being picked up and thrown by the augers.

1. Determine the clearance needed between the scraper bar at the bottom of the auger housing and the ground.
2. Place a block with a thickness equal to the desired ground clearance under the scraper bar.
3. Loosen the skid shoe mounting nuts (A, Figure 5) and push the skid shoe (B) down until it touches the ground. Re-tighten mounting nuts.
4. Set the skid shoe on the other side at the same height.

5



Maintenance

Maintenance Schedule

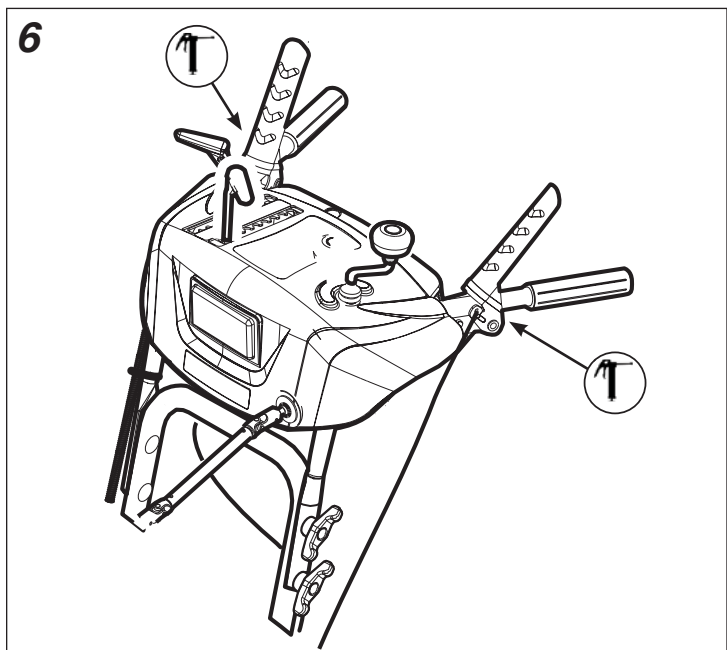
Before Each Use
<ul style="list-style-type: none">• Check engine oil level• Perform Safety System Tests
Every 8 Hours or Daily
<ul style="list-style-type: none">• Check engine oil level
Every 25 Hours or Annually
<ul style="list-style-type: none">• Lubricate control lever linkages• Lubricate the auger assembly• Lubricate the discharge chute rotation gear and deflector• Lubricate the hex shaft and gears
Every 50 Hours or Annually
<ul style="list-style-type: none">• Check muffler and spark arrester (if equipped)• Check tire pressure

Engine Maintenance

Please refer to the engine operator's manual for engine maintenance schedules and procedures.

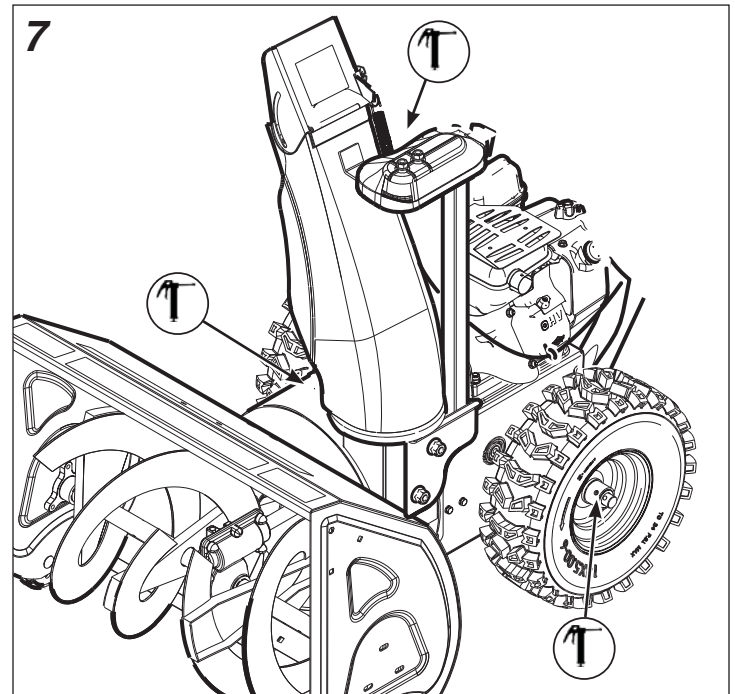
Lubricate Control Lever Linkage

Lubricate the control lever linkage at the locations shown in Figure 6.



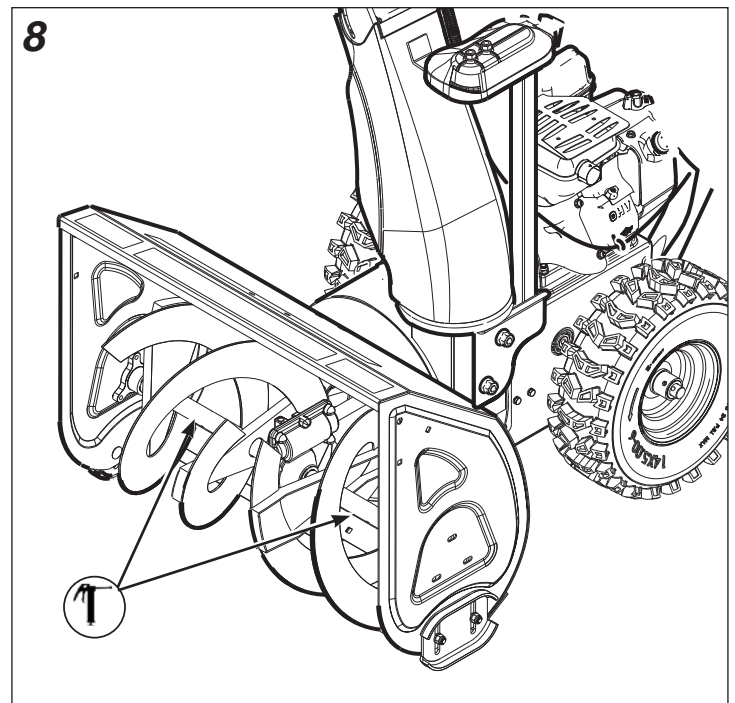
Lubricate Discharge Chute, Deflector, and Wheel Axle

Lubricate the discharge chute, deflector, and wheel axle at the locations shown in Figure 7.



Lubricate Auger Assembly



Lubricate the auger assembly at the location shown in Figure 8.



Hex Shaft and Gear Lubrication

NOTICE: Do not allow grease or oil to contact the rubber friction wheel or the disc drive plate. If grease or oil comes into contact with the friction wheel, replace it. Do not attempt to clean it. If grease or oil comes into contact with disc drive plate, clean it thoroughly with an alcohol based solvent.

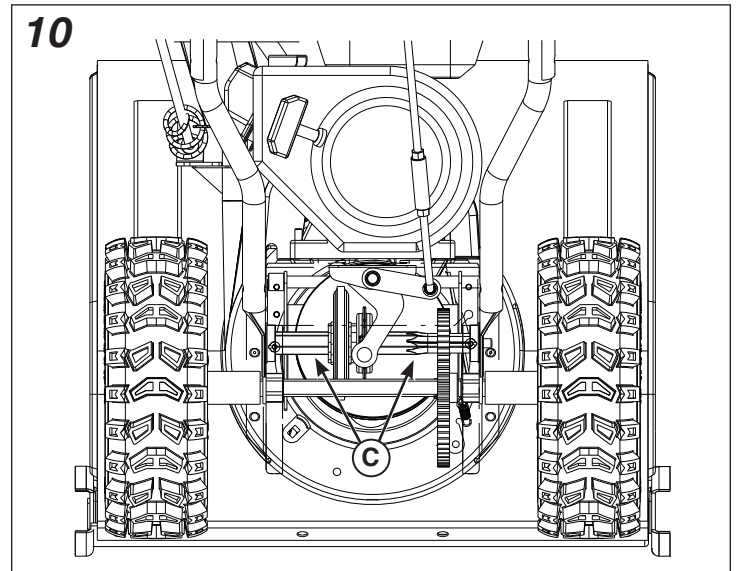
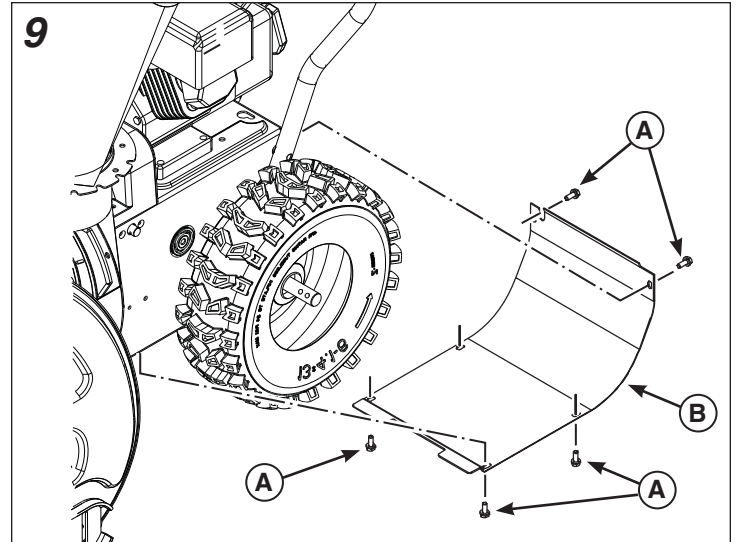
1. Position speed select lever in the first forward gear.
2. Drain fuel to an approved container.

 **WARNING** 

Fire and explosion hazard

Gasoline is highly flammable and its vapors are explosive. Drain gasoline outdoors, away from fire and other ignition sources. Wipe up any spills immediately. Do NOT allow open flame, smoking, or matches in the area.

3. Stand the snowthrower up on the auger housing end.
NOTE: When the crankcase is filled with oil, do not leave the snowthrower standing up on the auger housing for an extended period of time.
4. Remove screws (A, Figure 9) and bottom panel (B).
5. Wipe the hex shaft (C, Figure 10) with 5W30 synthetic motor oil, before storage and at the beginning of each season.
6. Install the bottom panel (B, Figure 9) and screws (A).



Auger and Traction Cable Adjustment



WARNING



Amputation hazard

Over-tightening the auger cable may cause the auger drive to engage without depressing the auger drive control.

Follow the adjustment procedure to ensure the cable is not over-tightened.

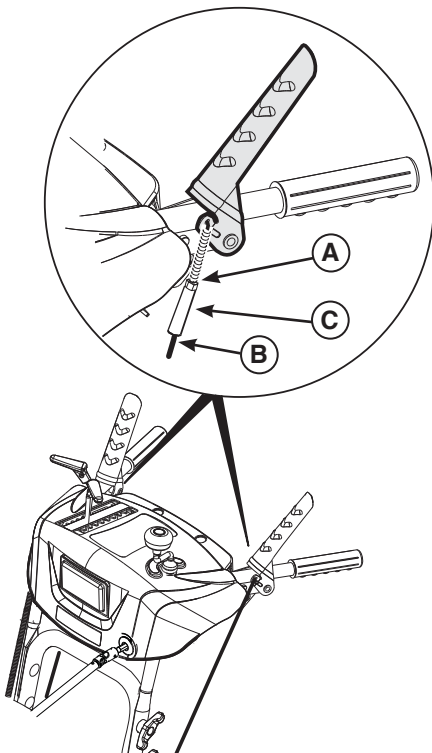
NOTE: If the auger or traction cables become stretched or are sagging, adjustment is necessary.

1. Loosen finger nut (A, Figure 11).
2. Hold control cable (B) to keep it from rotating.

NOTE: The cable should not rotate while making adjustment.

3. Turn collar (C) to remove slack but do not over-tighten.
4. Tighten finger nut.
5. Perform snowthrower safety test to ensure proper operation. See **Safety System Tests**. If necessary, make additional adjustments.

11



Speed Control Rod Adjustment

If the speed control rod requires adjustment, see an authorized dealer.

Checking Tire Pressure



WARNING



Explosion hazard

Over-inflation of tires may cause them to explode, which could result in serious injury.

Do not inflate the tires above the maximum pressure.

Tire pressure should be checked periodically. The maximum tire pressure is stamped on the sidewall of the tires. Do not exceed this pressure.

Auger Shear Bolt Replacement



DANGER

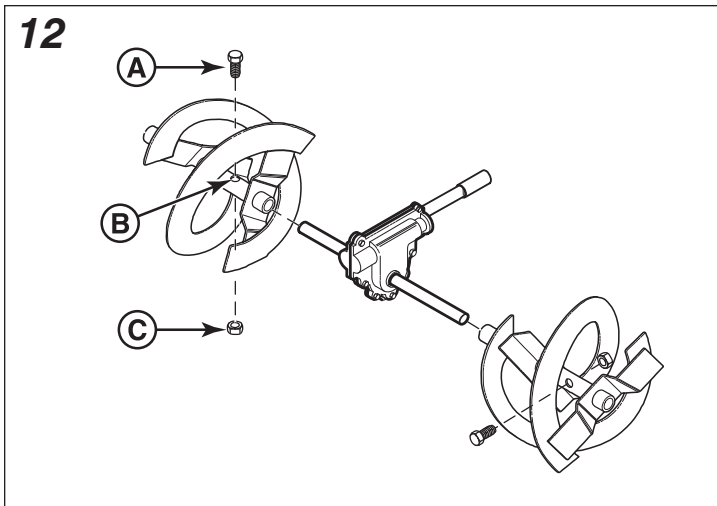


Amputation hazard

The discharge chute contains a rotating impeller to throw snow. Fingers can quickly become caught and traumatic amputation or severe laceration will result. Hand contact with the rotating impeller inside the discharge chute is the most common cause of injury associated with snowthrowers.

Turn the engine OFF, wait for all moving parts to stop, and remove the engine key before performing any maintenance or repairs.

1. Turn the engine OFF, wait for all moving parts to stop, and remove the engine key.
2. Remove the existing shear bolt (A, Figure 12) and locknut (C) from auger shaft (B).
3. Align the bolt holes. Install the replacement shear bolt through the auger shaft. Secure with the locknut.



1. Turn the engine OFF, wait for all moving parts to stop, and remove the engine key.
2. Remove the existing shear bolt (A, Figure 13) and locknut (C) from impeller shaft (B).
3. Align the bolt holes. Install the replacement shear bolt through the impeller shaft. Secure with the locknut.

Gear Box Shear Bolt Replacement



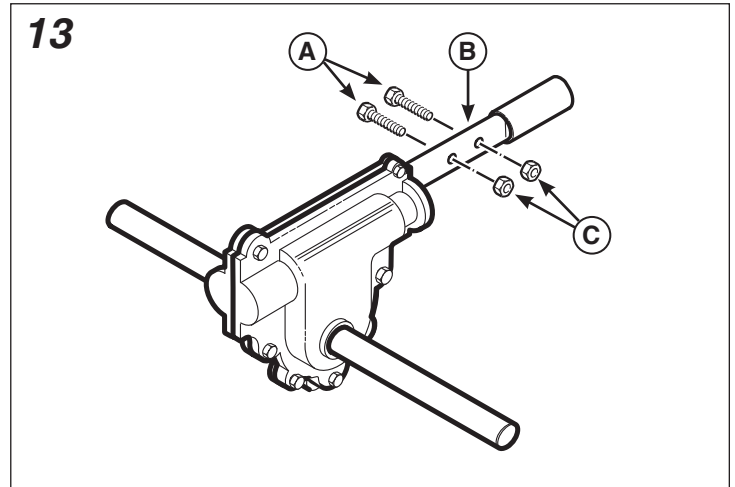
DANGER



Amputation hazard

The discharge chute contains a rotating impeller to throw snow. Fingers can quickly become caught and traumatic amputation or severe laceration will result. Hand contact with the rotating impeller inside the discharge chute is the most common cause of injury associated with snowthrowers.

Turn the engine OFF, wait for all moving parts to stop, and remove the engine key before performing any maintenance or repairs.



Storage



WARNING



Fire and explosion hazard

Gasoline is highly flammable and its vapors are explosive. Fumes may travel to a distant ignition source and an explosion and/or fire may result.

Handle gasoline carefully. Never store the unit, with fuel in the tank, indoors or in a poorly ventilated enclosure where fuel fumes could reach an open flame, spark, pilot light, such as a furnace, water heater, or clothes dryer.

Equipment

- Thoroughly clean the unit.
- Lubricate the hex shaft (see *Maintenance* section).
- Make sure all nuts, bolts, and screws are securely fastened. Inspect all visible moving parts for damage, breakage, and wear. Replace if necessary.
- Apply a rust preventative to any bare metal parts of the snowthrower auger and impeller.
- If possible, store the unit indoors and cover it to give protection from dust and dirt.
- If the machine must be stored outdoors, cover it with a heavy tarpaulin.

Fuel System

Fuel can become stale when stored over 30 days. Stale fuel causes acid and gum deposits to form in the fuel system or on essential carburetor parts. To keep fuel fresh, use **Briggs & Stratton® Advanced Formula Fuel Treatment & Stabilizer**, available wherever Briggs & Stratton genuine service parts are sold.

There is no need to drain gasoline from the engine if a fuel stabilizer is added according to instructions. Run the engine for 2 minutes to circulate the stabilizer throughout the fuel system before storage. If gasoline in the engine has not been treated with a fuel stabilizer, it must be drained into an approved container. Run the engine until it stops from lack of fuel. The use of a fuel stabilizer in the storage container is recommended to maintain freshness.

Engine Oil

While the engine is still warm, change the engine oil. See ***Changing the Oil*** in the engine operator's manual.

Before starting the unit after it has been stored:

- Check all fluid levels. Check all maintenance items.
- Perform all recommended checks and procedures found in this manual.
- Allow the engine to warm up for several minutes before use.

Troubleshooting

Troubleshooting the Snowthrower

Problem	Look for	Remedy
Auger does not stop within 5 seconds after auger control lever is released.	Auger control cable out of adjustment.	Adjust auger control cable. Refer to <i>Maintenance</i> section.
Discharge chute or deflector does not work	Discharge chute or deflector out of adjustment or needs lubrication.	Adjust and/or lubricate control linkage.
Scraper bar does not clean hard surface.	Skid shoes and scraper bar improperly adjusted.	Raise or lower skid shoes and scraper bar.
Unit does not propel itself.	Traction control cable out of adjustment.	Adjust traction control cable. Refer to <i>Maintenance</i> section.
Engine does not start.	Key is in OFF position.	Set key to ON position.
	Primer button not pressed (cold engine).	Press primer button twice and restart.
	Fuel shut-off valve (if equipped) is in CLOSED position.	Turn valve to OPEN position.
	Out of fuel.	Fill fuel tank.
	Choke turned to OPEN/RUN) cold engine).	Turn choke to CLOSED/START, set throttle to FAST.
	Engine flooded.	Move the choke to OPEN/RUN position, move throttle to FAST position, and crank until the engine starts.
Engine starts hard or runs poorly.	Water in fuel, or old fuel.	Drain tank. (Dispose of fuel at an authorized hazardous waste facility.) Fill with fresh fuel.
	Fuel cap vent is blocked.	Clear vent or replace fuel cap.
Excessive vibration.	Loose parts or damaged impeller.	Stop engine immediately. Tighten all hardware. If vibration continues, have the unit serviced by an authorized dealer.
Snowthrower does not stop when traction control lever is released.	Traction control cable out of adjustment.	Adjust traction control cable. Refer to <i>Maintenance</i> section.
Unit does not discharge snow.	Auger control cable out of adjustment.	Adjust auger control cable. Refer to <i>Maintenance</i> section.
	Broken auger shear bolt.	Replace auger shear bolt. Refer to <i>Maintenance</i> section.
	Broken gear box shear bolt.	Replace gear box shear bolt. Refer to <i>Maintenance</i> section.

Problem	Look for	Remedy
Unit does not discharge snow (continued).	Discharge chute clogged.	Stop engine immediately. Always use the clean-out tool to clear a clogged discharge chute, not your hands. Refer to <i>Discharge Chute Warning</i> in the <i>Operator Safety</i> section.
	Foreign object lodged in auger.	Stop engine immediately. Always use the clean-out tool to remove foreign object, not your hands. Refer to WARNINGS in the <i>Operator Safety</i> section.

NOTE: For all other problems, contact an Authorized Service Dealer.

Specifications

Engine Brand	Briggs & Stratton
Engine Model Series	Snow Series
Engine Type	4-Cycle
Starting System	Recoil Start and Electric Start 110V 1-2-3 Start Package (if equipped)
Oil Capacity	20 oz (0,59 L)
Fuel Tank Capacity	3.2 qts (3,0 liters)
Sparkplug Gap	.030 in (0,76 mm)
Sparkplug Torque	180 lb-in (20 Nm)

The spark ignition system on this snowthrower complies with Canadian standard ICES-002.

Power Ratings

The gross power rating for individual gasoline engine models is labeled in accordance with SAE (Society of Automotive Engineers) code J1940 Small Engine Power & Torque Rating Procedure, and is rated in accordance with SAE J1995. Torque values are derived at 2600 RPM for those engines with “rpm” called out on the label and 3060 RPM for all others; horsepower values are derived at 3600 RPM. The gross power curves can be viewed at www.BRIGGSandSTRATTON.COM. Net power values are taken with exhaust and air cleaner installed whereas gross power values are collected without these attachments. Actual gross engine power will be higher than net engine power and is affected by, among other things, ambient operating conditions and engine-to-engine variability. Given the wide array of products on which engines are placed, the gasoline engine may not develop the rated gross power when used in a given piece of power equipment. This difference is due to a variety of factors including, but not limited to, the variety of engine components (air cleaner, exhaust, charging, cooling, carburetor, fuel pump, etc.), application limitations, ambient operating conditions (temperature, humidity, altitude), and engine-to-engine variability. Due to manufacturing and capacity limitations, Briggs & Stratton may substitute an engine of higher rated power for this engine.

Productos cubiertos por este manual

Los siguientes productos se cubren en este manual: 1696614-00, 1696616-00, 1696619-00, 1696620-00.

Contenido del manual


Seguridad del operador	3
Pruebas del sistema de seguridad	8
Características y controles	9
Operación.....	10
Mantenimiento.....	13
Resolución de problemas	18
Especificaciones	19


NOTA: Consulte la Guía de contacto del cliente y las Instrucciones de montaje para obtener información adicional acerca de este producto.


Las imágenes en este documento son representativas. Su unidad puede verse diferente a las imágenes mostradas. Se hace referencia a IZQUIERDA y DERECHA desde la posición del operador.


Seguridad del operador

Símbolo de alerta de seguridad y palabras de señalización

El símbolo de aviso de  seguridad se usa para identificar información de seguridad acerca de los peligros que pueden producir lesiones corporales. Se señala con una palabra (PELIGRO, ADVERTENCIA o PRECAUCIÓN) con el símbolo de aviso para indicar la probabilidad de una lesión y su potencial gravedad. Además, se puede utilizar un símbolo de peligro para representar el tipo de peligro.

 **PELIGRO** indica un peligro que, si no se evita, provocará la muerte o lesiones graves.

 **ADVERTENCIA** indica un peligro que, si no se evita, podría ocasionar la muerte o heridas graves.

 **PRECAUCIÓN** indica un peligro, que si no se evita, podría ocasionar lesiones menores o moderadas.

AVISO indica una situación que podría provocar daños en el producto.

Tabla de símbolos de peligro

Símbolos de peligro del lanzanieve

Símbolo	Significado	Símbolo	Significado
	Información de seguridad acerca de los peligros que pueden provocar lesiones corporales.		Lea y comprenda el manual del operador antes de operar o realizar mantenimiento a la unidad.
	Peligro de amputación: Propulsor giratorio.		Retire la llave antes de realizar reparaciones.
	Peligro de amputación: Propulsor giratorio.		Peligro de amputación: Barrena giratoria.
	Peligro de amputación: No toque las piezas móviles.		Peligro de objetos expulsados.
	Peligro de incendio.		Peligro de explosión.
	Peligro de descarga.		Peligro de gases tóxicos.
	Peligro de superficie caliente.		Se recomienda protección auditiva para el uso prolongado.
	Mantenga una distancia prudente.		Use anteojos de seguridad.
	Mantenga a los niños alejados.		Peligro de con-tragolpe.

Información de reciclaje



Todos los embalajes, el aceite usado y las baterías se deben reciclar de acuerdo con los reglamentos gubernamentales correspondientes.

Mensajes de seguridad



ADVERTENCIA

EE. UU. Modelos: Algunos componentes de este producto y sus accesorios relacionados contienen sustancias químicas que el estado de California sabe que causan cáncer, defectos de nacimiento u otros daños reproductivos. Lávese las manos después de manipular estos elementos.



ADVERTENCIA

EE. UU. Modelos: El escape del motor de este producto contiene sustancias químicas que el estado de California sabe que causan cáncer, defectos de nacimiento u otros daños reproductivos.



PELIGRO



- El contacto de las manos con el propulsor giratorio dentro del conducto de descarga es la causa más común de lesiones asociadas a los lanzanieve.
- Este lanzanieve es capaz de amputar manos y pies y arrojar objetos. Lea y comprenda todas las instrucciones de seguridad que aparecen en este manual. Si no lo hace, es posible que pueda sufrir lesiones graves e incluso la muerte.



ADVERTENCIA



Lea, comprenda y siga todas las instrucciones que aparecen en el lanzanieve y en el manual del operador antes de poner en funcionamiento esta unidad.

Si no lee detenidamente las instrucciones de seguridad que aparecen en este manual, podrá sufrir lesiones graves o incluso la muerte.

- Esté completamente familiarizado con los controles y el uso correcto del lanzanieve.
- Asegúrese de que tiene la capacitación necesaria antes de operar el lanzanieve.
- Sepa cómo detener la unidad y desactivar los controles rápidamente.
- Nunca deje que alguien sin instrucción apropiada opere el lanzanieve.
- Siga siempre las instrucciones que aparecen en el manual del operador si el lanzanieve se va a almacenar durante un período de tiempo prolongado.
- Mantenga o cambie las etiquetas de instrucciones y de seguridad cuando sea necesario.
- Nunca intente realizar reparaciones mayores en este lanzanieve a no ser que tenga la capacitación necesaria. Si se llevan a cabo tareas de reparación incorrectas en el lanzanieve, puede ocasionar un funcionamiento peligroso, daños en el equipo y la anulación de la garantía del producto.



PELIGRO



El conducto de descarga contiene un propulsor giratorio que lanza la nieve. No limpie ni desatasque el conducto de descarga con las manos. Puede pillarse los dedos rápidamente en el propulsor. Utilice siempre una herramienta de limpieza.

Si no sigue estas instrucciones de seguridad, podrá sufrir amputaciones traumáticas o quemaduras graves.



PELIGRO



Mantenga alejados las manos, los pies y la ropa de las piezas giratorias. Las piezas giratorias pueden tocar o enredar las manos, pies, cabello, ropa o accesorios.

Si no sigue estas instrucciones de seguridad, podrá sufrir amputaciones traumáticas o quemaduras graves.

- Siempre que limpie, repare o inspeccione el lanzanieve, asegúrese de que el motor está APAGADO, que el cable de la bujía de encendido está desconectado y que todas las piezas móviles están detenidas.
- No coloque las manos o pies cerca o debajo de piezas giratorias. Manténgase lejos de la apertura de descarga en todo momento.
- Nunca opere el lanzanieve sin que las protecciones u otros dispositivos de seguridad apropiados estén colocados en su lugar y funcionen correctamente.
- Nunca deje el lanzanieve sin supervisión mientras el motor esté funcionando. Siempre desactive los controles de tracción y de la barrena, apague el motor y retire las llaves.
- Mantenga toda ropa suelta lejos de la parte delantera del lanzanieve y la barrena. Bufandas, mitones, cordones colgantes, ropa y pantalones anchos pueden atascarse rápidamente en el dispositivo giratorio, provocando una amputación. Recójase el pelo largo y quítese las joyas.
- Opere la máquina algunos minutos después de lanzar nieve para evitar el congelamiento del colector y del propulsor.
- Desconecte la electricidad del colector y del propulsor cuando transporte o no utilice el lanzanieve.



ADVERTENCIA



La barrena puede recoger objetos y arrojarlos por el conducto. Nunca tire nieve hacia los transeúntes ni deje que haya personas delante del lanzanieve. Si no lee detenidamente las instrucciones de seguridad, podrá sufrir lesiones graves o incluso la muerte.

- Siempre use gafas de seguridad o protección para los ojos durante la operación y mientras realice ajustes o reparaciones.
- Siempre tenga en cuenta la dirección en que se está lanzando la nieve. Es posible que los peatones, las mascotas o la propiedad circundante sufran daños a causa de los objetos lanzados.
- Tenga en cuenta su entorno mientras opera el lanzanieve. No pase por encima de materiales como gravilla, felpudos, periódicos, juguetes y piedras ocultos bajo la nieve, ya que pueden ser lanzados por el conducto o atascarse en la barrena.
- Tenga extremo cuidado cuando opere o cruce sobre caminos, entradas o calles de grava.
- Ajuste la altura de la caja del colector para limpiar superficies con grava o piedra triturada.
- Nunca opere el lanzanieve cerca de vitrinas, automóviles, pozos de ventanas de sótanos, puntos de descenso y lugares similares, sin ajustar el ángulo del conducto de descarga.
- Familiarícese con el área en la que tiene planeado operar el lanzanieve. Marque los límites de los pasillos y los caminos.



ADVERTENCIA



Pueden ocurrir accidentes graves si el operador no está atento ante la presencia de niños. Los niños suelen sentirse atraídos a la unidad y a la actividad de operación. Nunca dé por hecho que los niños vayan a permanecer en el último lugar en el que los vio.

- Mantenga a los niños alejados mientras la máquina esté en funcionamiento. Los niños suelen sentirse atraídos por el equipo. Tenga en cuenta a todas las personas presentes.
- Esté atento y apague la unidad si entran niños en la zona.
- Nunca permita que niños operen la unidad.
- Tenga especial cuidado al acercarse a esquinas ciegas, arbustos, árboles u otros objetos que puedan dificultar la visión. Es posible que haya niños cerca.



ADVERTENCIA



Los motores emiten monóxido de carbono, un gas venenoso, incoloro e inodoro. Inhalar monóxido de carbono puede provocar náuseas, desmayos o la muerte.

- Arranque y opere el motor en exteriores.
- No haga funcionar el motor en recintos cerrados, incluso con las puertas y ventanas abiertas.



ADVERTENCIA



El combustible y sus vapores son extremadamente inflamables y explosivos. Manipule siempre el combustible extremando las precauciones.

Si no sigue estas instrucciones de seguridad, es posible que se produzca un incendio o una explosión que podrían causar quemaduras graves o la muerte.

Cuando agregue combustible

- Apague el motor y deje que se enfríe durante al menos 2 minutos antes de retirar la tapa de llenado y echar combustible.
- Llene el tanque de combustible en exteriores en un área bien ventilada.
- No llene excesivamente el tanque de combustible. Para permitir que la gasolina se expanda, no llene el tanque por encima de la parte inferior del cuello del tanque de combustible.
- Mantenga el combustible alejado de chispas, llamas abiertas, llamas piloto, calor y otras fuentes de ignición.
- Verifique las líneas de combustible, tapa y conectores a menudo, para constatar si presentan grietas o fugas. Cambie si es necesario.
- Use un recipiente de combustible aprobado.
- Si se derrama combustible, espere hasta que se evapore para arrancar el motor.

Cuando arranque el motor

- Asegúrese que la bujía, el silenciador, la tapa de llenado de combustible (si está equipado) y el filtro de aire estén colocados y fijos en su lugar.
- No encienda el motor sin la bujía.
- Si se derrama combustible, no intente arrancar el motor, sino que aleje el lanzanieve del área del derrame y evite crear cualquier fuente de ignición hasta que se hayan disipado los vapores del combustible.
- No cebe el motor en exceso. Siga las instrucciones para arrancar el motor que aparecen en este manual.
- Si el motor se ahoga, coloque el estrangulador (si está equipado) en la posición ABIERTO/MARCHA, coloque el acelerador en RÁPIDO y gire el motor hasta que arranque.

Cuando opere el equipo

- No incline el lanzanieve con un ángulo que pueda hacer que el combustible se derrame.
- No cebe el carburador para detener el motor.
- Nunca haga funcionar el motor sin el conjunto del filtro de aire (si está equipado) o el filtro de aire (si está equipado).

Cuando cambie el aceite

- Si vacía el aceite desde el tubo superior de llenado de aceite, el tanque de combustible debe estar vacío o es posible que se filtre combustible y que esto cause un incendio o una explosión.

Cuando transporte el equipo

- Transporte la unidad con el tanque VACÍO o hágalo con la válvula de cierre del combustible en la posición APAGADO.

Cuando almacene combustible o equipos con combustible en el tanque

- Almacene lejos de hornos, cocinas, calentadores de agua u otros aparatos con piloto u otra fuente de ignición, ya que pueden prender fuego a vapores del combustible.



ADVERTENCIA



Para que el lanzanieve funcione de manera segura, es necesario que el mantenimiento y reparación del motor se realice de la manera correcta.

- Desactive todos los embragues y coloque la transmisión en neutro antes de arrancar el motor.
- Permita que el motor se ajuste a las temperaturas exteriores antes de despejar la nieve.
- Utilice un enchufe de tres cables conectado a tierra para todos los lanzanieve que estén equipados con motores de transmisión eléctrica o con motores de arranque eléctrico.



ADVERTENCIA



El arranque del motor crea chispas.

Las chispas pueden encender gases inflamables cercanos.

Podría provocar una explosión o incendio.

- Si hay una pérdida de gas natural o gas licuado en el área, no arranque el motor.
- No use líquidos de arranque presurizados, ya que los vapores son inflamables.



ADVERTENCIA



El motor en marcha produce calor. Las piezas del motor, especialmente el silenciador, se vuelven sumamente calientes.

Si no lee detenidamente las instrucciones de seguridad, es posible que sufra graves quemaduras térmicas de contacto.

- Nunca toque un motor o silenciador caliente. Permita que el silenciador, el cilindro y las aletas del motor se enfríen antes de tocarlos.
- Retire toda la suciedad del área del silenciador y del área del cilindro.
- Instale y mantenga en buen estado de funcionamiento un supresor de chispas, antes de utilizar el equipo en terrenos baldíos que contengan árboles, césped o maleza.
- **EE. UU. Modelos:** Constituye una infracción del artículo 4442 del California Public Resource Code utilizar u operar el motor en la proximidades de terrenos boscosos o de rastrojos o que estén cubiertos de hierba a menos que el sistema de escape esté equipado con un supresor de chispas, tal y como se define en la Sección 4442, que además se mantenga en un buen estado de funcionamiento. Otros estados o jurisdicciones federales pueden tener normas legales similares. Para obtener un supresor de chispas diseñado para el sistema de escape instalado en este motor, acuda al fabricante original del aparato o a un distribuidor.



ADVERTENCIA



Este lanzanieve se debe mantener de manera adecuada para garantizar un rendimiento óptimo y un funcionamiento seguro. Si no lee detenidamente las instrucciones de seguridad que aparecen en este manual, podrá sufrir lesiones graves o incluso la muerte.

- Cuando esté realizando cualquier tipo de tarea de mantenimiento o reparación en el lanzanieve, APAGUE el motor, desconecte el cable de la bujía y mantenga el cable lejos del enchufe para evitar que alguien arranque el motor de manera accidental.
- Revise los pernos de seguridad y las otras piezas metálicas en intervalos frecuentes para asegurarse de que estén apretados en forma adecuada.
- Mantenga las tuercas y tornillos apretados y mantenga el lanzanieve en buenas condiciones.
- Nunca altere los dispositivos de seguridad. Verifique periódicamente su correcto funcionamiento, y realice todas las reparaciones necesarias si no funcionan correctamente.
- Los componentes están sujetos a desgaste, daños y deterioro. Verifique los componentes con frecuencia y reemplácelos por piezas recomendadas, cuando sea necesario.
- Verifique el funcionamiento de los controles con frecuencia. Haga los ajustes y reparaciones necesarios.
- Utilice solamente piezas de repuesto o similares autorizadas por la fábrica al hacer reparaciones.
- Cumpla siempre con las especificaciones de fábrica en todas las configuraciones y ajustes.
- Use solo accesorios autorizados o similares, tales como pesos, contrapesos o cabinas.
- Nunca intente realizar ajustes con el motor en marcha (excepto cuando así lo recomiende específicamente la fábrica).



ADVERTENCIA

El lanzanieve solamente es seguro dependiendo de cómo lo utilice el operador. Si se utiliza de manera incorrecta o si no se lleva a cabo un mantenimiento correcto, puede ser peligroso. Recuerde que usted es el responsable de su seguridad y de la de aquellos que le rodean.

- Mantenga el área de operación libre de personas, en especial de niños pequeños y mascotas.
- Inspeccione a fondo el área donde se utilizará el lanzanieve y retire todos los felpudos, trineos, tableros, cables y otros objetos extraños.
- No opere el lanzanieve sin llevar puesta ropa de abrigo adecuada.
- Use calzado que mejore el equilibrio sobre superficies resbaladizas.
- Tenga cuidado de no resbalarse o caerse, especialmente al dar marcha atrás.
- Nunca opere el lanzanieve sin buena visibilidad o luz. Siempre asegúrese de estar bien equilibrado y agárrase de las manillas firmemente.
- No despeje la nieve a lo ancho de la superficie de pendientes. Tenga extremo cuidado cuando cambie de dirección en pendientes. No intente despejar pendientes empinadas.
- No sobrepase la capacidad de funcionamiento de la máquina intentando despejar la nieve demasiado rápido.
- Nunca opere el lanzanieve a velocidades altas de transporte sobre superficies resbaladizas. Mire hacia atrás del lanzanieve y tenga cuidado cuando se desplace marcha atrás.
- No use el lanzanieve en superficies sobre el nivel del suelo, tales como techos de casas, garajes, porches u otras estructuras o edificios de este tipo.
- Los operadores deberán evaluar su capacidad de operar el lanzanieve de manera lo suficientemente segura como para evitar lesiones, en ellos mismos o en terceros.
- La única finalidad del lanzanieve es retirar nieve. No utilice el lanzanieve para ningún otro fin.
- No transporte pasajeros.
- Si golpea un objeto extraño, **DETENGA** el motor, desconecte el cable en motores eléctricos, inspeccione detenidamente el lanzanieve para comprobar si ha sufrido daños, y repare los daños antes de volver a arrancar y operar el lanzanieve.
- Si el lanzanieve vibra de manera anormal, **APAGUE** el motor. La vibración es, en general, advertencia de problemas. Vea a un distribuidor autorizado, si necesario, para efectuar reparaciones.
- En los modelos equipados con motores de arranque eléctricos, desconecte el cable de alimentación una vez que arranque el motor.



ADVERTENCIA



Los cables de alimentación dañados o sin conexión a tierra podrían provocar descargas eléctricas.

Las descargas eléctricas pueden causar quemaduras graves o la muerte.

Quando use un motor de arranque eléctrico

- El cable de alimentación debe estar en todo momento conectado correctamente a tierra.
- Use solo un cable de alimentación de tres conductores conectado correctamente a tierra hasta la fuente de energía.
- Si el cable de alimentación está dañado, debe ser reemplazado por una persona calificada para evitar algún peligro.



ADVERTENCIA



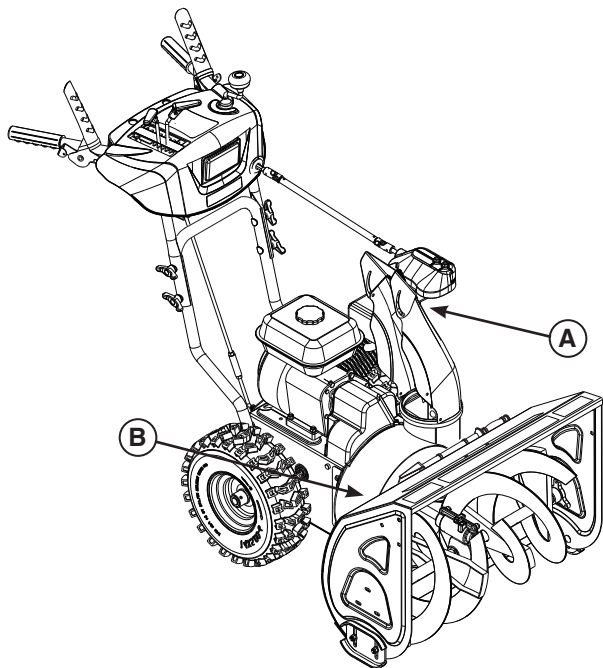
La retracción rápida del cable del motor de arranque (retroceso) tirará de su mano y brazo hacia el motor más rápido de lo que usted lo pueda soltar.

Esto puede producir huesos rotos, fracturas, contusiones o torceduras.

Quando arranque el motor

- Cuando arranque el motor, tire lentamente del cable de arranque hasta que sienta resistencia y luego tire rápidamente para evitar el retroceso rápido.

1



Pruebas del sistema de seguridad



PELIGRO

Peligro de amputación

El lanzanieve está equipado con varios sistemas de seguridad mecánicos diseñados para mantener al operador seguro mientras usa la unidad. Verifique el funcionamiento de estos sistemas periódicamente utilizando las pruebas de sistema de seguridad indicadas. Si la unidad no funciona como se describe, NO la ponga en marcha. Consulte de inmediato a su distribuidor de servicio técnico autorizado.

Prueba 1 - Control de barrena y propulsor

Con el motor en marcha:

- Presione la palanca de control de la barrena. (La barrena y el propulsor deberían girar).
- Suelte la palanca de control de la barrena. (La barrena y el propulsor deberían detenerse en el plazo de 5 segundos).

Prueba 2 - Control de transmisión de tracción

Con el motor en marcha y el control de velocidad en la 1ª marcha:

- Presione la palanca de control de tracción. (La unidad debería moverse hacia delante).
- Suelte la palanca de control de tracción. (La unidad debería detenerse)

Prueba 3 - Control Free Hand

Con el motor en marcha:

- Accione las palancas de control de barrena y tracción y luego suelte la palanca de control de barrena. (Ambos controles deben permanecer accionados)
- A continuación, suelte la palanca de control de tracción. (Ambos controles deberían desactivarse).

<p>A</p>	<p>Calcomanía de peligro en el conducto (N/P 1737865)</p>	
<p>B</p>	<p>Calcomanía de peligro en la barrena (modelos de armazón grande) (N/P 1737866)</p>	

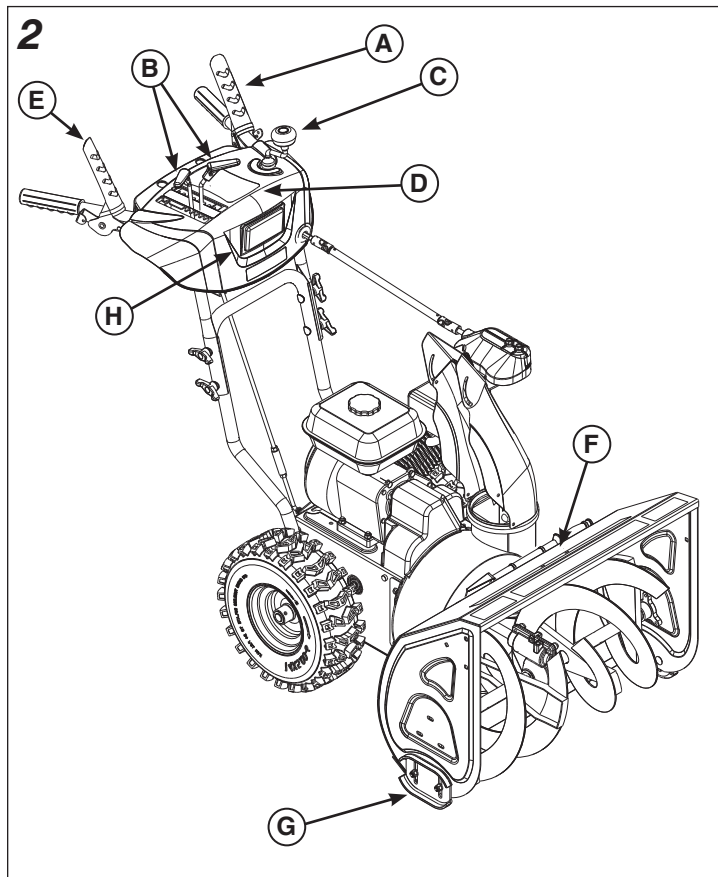
Características y controles

Características y controles del motor

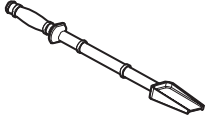


Consulte el manual del operador del motor para conocer las funciones y controles del motor.

Características y controles del lanza-nieve

Compare la Figura 2 con la tabla a continuación.



A		<p>Palanca de control de la barrena: Se usa para activar y desactivar la barrena y el propulsor.</p>
B		<p>Palanca de selección de velocidad: Permite que el operador seleccione las velocidades hacia adelante y marcha atrás.</p> <p>AVISO: No mueva la palanca de selección de velocidad mientras el control de tracción esté activado. Esto puede producir daños graves al sistema de transmisión.</p> <p>Control del deflector (en el tablero): Se utiliza para controlar el ángulo del deflector (arriba o abajo).</p>
C		<p>Manivela de giro del conducto (en el tablero): Se utiliza para girar el conducto de descarga a la derecha o a la izquierda.</p>
D		<p>Control Free Hand™: Una vez que se haya activado el control de tracción (mano derecha) y el control de la barrena (mano izquierda), el operador puede soltar la palanca de control de la barrena para utilizar el resto de controles.</p>
E		<p>Palanca de control de tracción: Se utiliza para impulsar el lanzanieve hacia adelante o marcha atrás. Consulte también en "Control Free-Hand".</p>

F		Herramienta de limpieza: Se utiliza para sacar la nieve y los desechos del conducto de descarga y de la carcasa de la barrena.
G		Zapatas: Se utilizan para ajustar el espacio de desplazamiento de la carcasa de la barrena.
H		Luz delantera: ilumina el área adelante del lanzanieve. NOTA: El diseño de la luz delantera varía de acuerdo al modelo.

Operación del lanzanieve



Peligro de amputación

El conducto de descarga contiene un propulsor giratorio que lanza la nieve. Puede pillarse los dedos rápidamente en el propulsor. No limpie ni desatasque el conducto de descarga con las manos. Utilice siempre una herramienta de limpieza.

Si no sigue estas instrucciones de seguridad, podrá sufrir amputaciones traumáticas o quemaduras graves.

El contacto de las manos con el propulsor giratorio dentro del conducto de descarga es la causa más común de lesiones asociadas a los lanzanieve. Nunca use sus manos para destapar el conducto de descarga.

Operación

Antes de operar el lanzanieve



Lea el manual del operador antes de poner en funcionamiento esta máquina. Esta máquina puede ser peligrosa si no se usa con cuidado.

- Nunca opere el lanzanieve sin todas las protecciones, cubiertas y defensas colocadas.
- Apague el motor siempre que deje la posición de operación.
- Retire la llave antes de destapar la caja del impulsor o el conducto de descarga, y antes de realizar reparaciones o ajustes.
- Cuando deje la máquina, retire la llave.
- Para reducir el riesgo de incendio, mantenga la máquina limpia y libre de gasolina o aceite derramado y desechos.
- En motores de arranque eléctrico, desconecte el cable de extensión antes de comenzar a operar.
- Asegúrese de revisar el nivel de aceite antes de arrancar el motor. Consulte el manual del operador del motor para conocer las recomendaciones sobre aceite.

Para despejar en forma segura un conducto de descarga tapado, siga estas instrucciones:

1. APAGUE el motor.
2. Espere 10 segundos para asegurarse de que las cuchillas del propulsor hayan dejado de girar.
3. Use siempre una herramienta de limpieza, no las manos.



Peligro de gases tóxicos

Los motores emiten monóxido de carbono, un gas venenoso, incoloro e inodoro.

Inhalar monóxido de carbono puede provocar náuseas, desmayos o la muerte.

- Arranque y opere el motor en exteriores.
- No haga funcionar el motor en recintos cerrados, incluso con las puertas y ventanas abiertas.



Peligro de objetos expulsados

Esta máquina es capaz de expulsar objetos que podría lesionar a los transeúntes o causar daños a los edificios.

Asegúrese de que en el área de operación no haya transeúntes. Nunca dirija la descarga hacia las personas, los edificios o los automóviles.

1. Arranque el motor. Consulte el manual del operador del motor para conocer las instrucciones acerca del motor.

NOTA: Siempre fije la velocidad del motor en RÁPIDA (aceleración máxima).

2. Gire la manivela de giro del conducto (C, Figura 2) para fijar la dirección del conducto de descarga.
3. Use la palanca de control del deflector (F) para moverlo hacia arriba o hacia abajo. Eleve el deflector para lanzar la nieve más lejos.
4. Use la palanca de selección de velocidad (B) para seleccionar la velocidad de transmisión hacia adelante o marcha atrás. Use las velocidades menores cuando despeje sobre nieve húmeda y gruesa. Use las velocidades mayores para nieve ligera o para cuando se transporte.

NOTA: Siempre suelte la palanca de control de tracción antes de cambiar la velocidad.

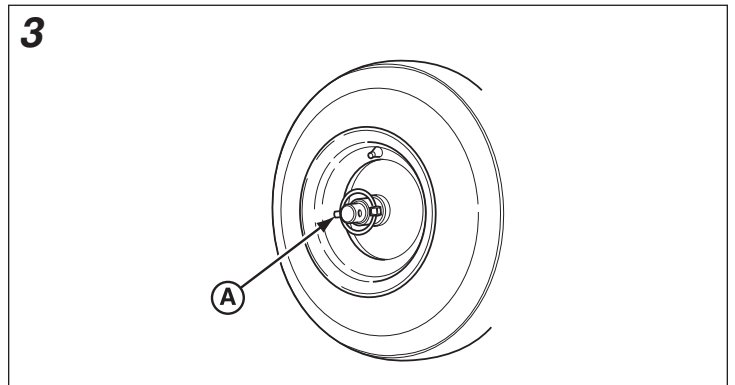
5. Presione completamente la palanca de control de la barrena (A) para activarla. Suelte la palanca para detener la barrena.
6. Mantenga totalmente presionada la palanca de control de tracción y control Free Hand (A, E) para activar la transmisión de la tracción y comenzar a mover el lanzanieve. Suelte la palanca para detener el lanzanieve.
7. En los modelos equipados con los controles Free Hand, cuando se presionan las palancas de control de la barrena (A) y de tracción (E) al mismo tiempo, se activa el control Free Hand. Esto le permite soltar la palanca de control de la barrena (A) para utilizar el resto de controles. La barrena continuará girando hasta que suelte la palanca del control de tracción o del control Free Hand.
8. Este modelo está equipado con una luz delantera (I) para iluminar el área en frente del lanzanieve. La luz delantera funcionará cada vez que el lanzanieve esté en funcionamiento.

Detención del lanzanieve

1. Suelte la palanca de control de la barrena (A, Figura 2).
2. Suelte la palanca de control de tracción (E).
3. Detenga el motor. Consulte el manual del operador del motor para conocer las instrucciones acerca del motor.

Liberación de rueda: Pasadores de bloqueo




Para retirar el pasador de bloqueo e instalarlo en el orificio del eje exterior, puede soltar completamente las ruedas que estén equipadas con un pasador de bloqueo de tracción (A, Figura 3). Invierta este proceso para activar la rueda de transmisión.



Llenado del tanque de combustible

Consulte el manual del operador del motor para obtener instrucciones sobre el llenado del tanque de combustible y para conocer las recomendaciones de combustible.

Despeje de un conducto de descarga tapado

**PELIGRO**  

Peligro de amputación

El conducto de descarga contiene un propulsor giratorio que lanza la nieve. Puede pillarse los dedos rápidamente en el propulsor. No limpie ni desatasque el conducto de descarga con las manos. Utilice siempre una herramienta de limpieza.

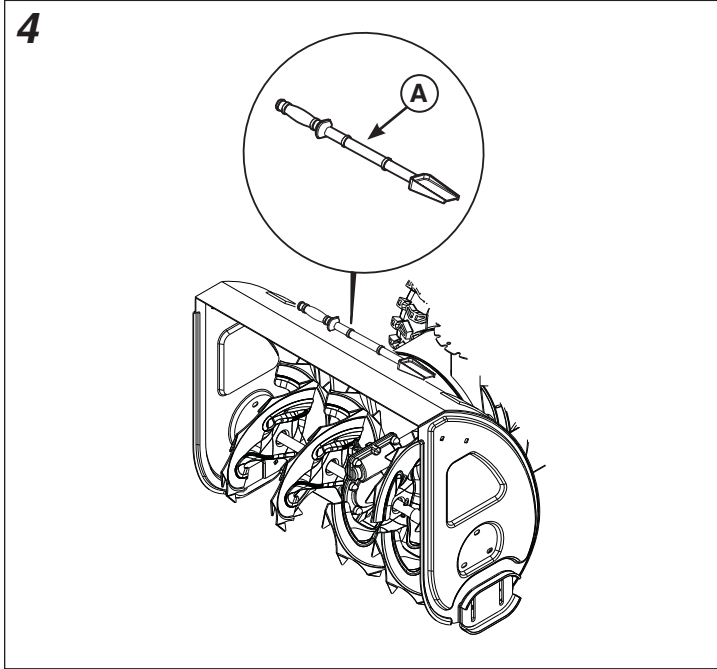
Si no sigue estas instrucciones de seguridad, podrá sufrir amputaciones traumáticas o quemaduras graves.

El contacto de las manos con el propulsor giratorio dentro del conducto de descarga es la causa más común de lesiones asociadas a los lanzanieve. Nunca use sus manos para des-tapar el conducto de descarga.

Con la unidad, se suministra una herramienta de limpieza (A, Figura 4).

Para despejar en forma segura un conducto de descarga tapado, siga estas instrucciones:

1. APAGUE el motor.
2. Espere 10 segundos para asegurarse de que las cuchillas del propulsor hayan dejado de girar.
3. Use siempre una herramienta de limpieza, no las manos.



Ajuste de altura de zapatas



PELIGRO



Peligro de amputación

El conducto de descarga contiene un propulsor giratorio que lanza la nieve. Los dedos pueden quedar atrapados rápidamente y puede producirse una amputación traumática o laceraciones graves. El contacto de las manos con el propulsor giratorio dentro del conducto de descarga es la causa más común de lesiones asociadas a los lanzanieve.

APAGUE el motor, espere que se detengan todas las piezas móviles y retire la llave del motor antes de realizar mantenimiento o alguna reparación.



ADVERTENCIA

Peligro de objetos expulsados

Los objetos tales como grava, rocas u otros desechos, si se golpean con el impulsor, se pueden lanzar con suficiente fuerza para causar lesiones a personas, daños a la propiedad o daños al lanzanieve.

Asegúrese de ajustar las zapatas a una altura adecuada para mantener el espacio del suelo según el tipo de superficie que esté despejando.

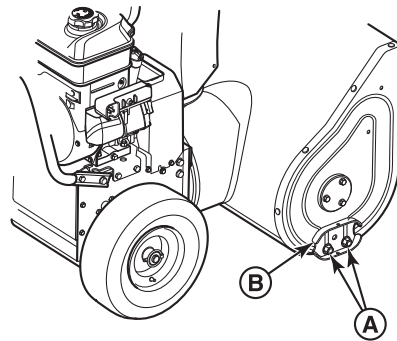
Este lanzanieve está equipado con dos zapatas, sujetas a la parte exterior de la carcasa de la barrena. Estas ajustan la altura de la parte delantera del lanzanieve.

Cuando saque la nieve desde un área de superficie dura tal como caminos o aceras pavimentadas, levante las zapatas para bajar la parte delantera del lanzanieve.

Cuando retire nieve de superficies desniveladas o cubiertas con grava, baje las zapatas para elevar la parte delantera del lanzanieve. Esto ayudará a evitar que las rocas y otros desechos sean recogidos y lanzados por la barrena.

1. Determine el espacio necesario entre la barra del raspador y el suelo, en la parte inferior de la carcasa de la barrena.
2. Coloque un bloque con un grosor igual al espacio deseado bajo la barra del raspador.
3. Suelte las tuercas de montaje de la zapata (A, Figura 5) y presione la zapata (B) hacia abajo hasta que toque el suelo. Vuelva a apretar las tuercas de montaje.
4. Ajuste las zapatas del otro lado a la misma altura.

5



Mantenimiento

Programa de mantenimiento

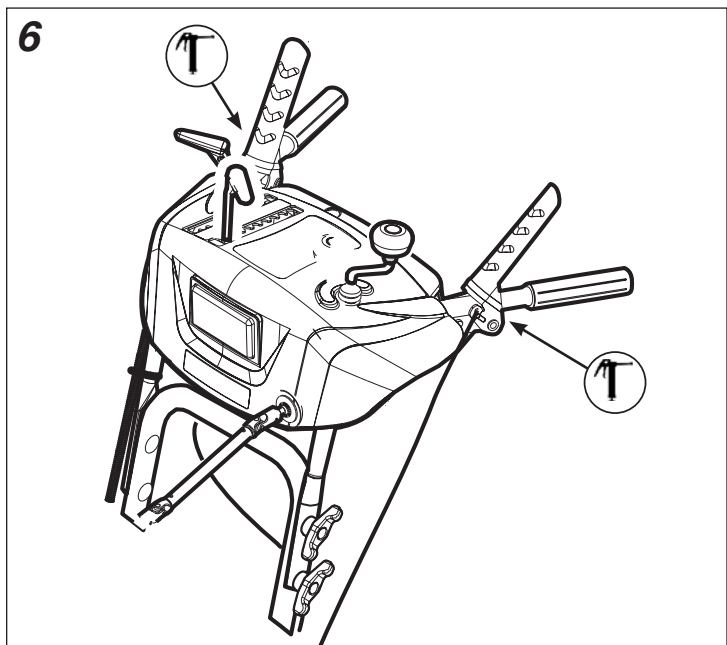
Antes de cada uso
<ul style="list-style-type: none">• Compruebe el nivel del aceite del motor• Realice las pruebas del sistema de seguridad
Cada 8 horas de funcionamiento o a diario
<ul style="list-style-type: none">• Compruebe el nivel del aceite del motor
Cada 25 horas de funcionamiento o anualmente
<ul style="list-style-type: none">• Lubrique las uniones de las palancas de control• Lubrique el conjunto de barrena• Lubrique los engranajes de giro del conducto de descarga y el deflector• Lubrique el eje hexagonal y los engranajes
Cada 50 horas de funcionamiento o anualmente
<ul style="list-style-type: none">• Inspeccione el silenciador y el supresor de chispas (si está equipado)• Verifique la presión de los neumáticos

Mantenimiento del motor

Consulte el manual del operador del motor para conocer los programas y procedimientos de mantenimiento del motor.

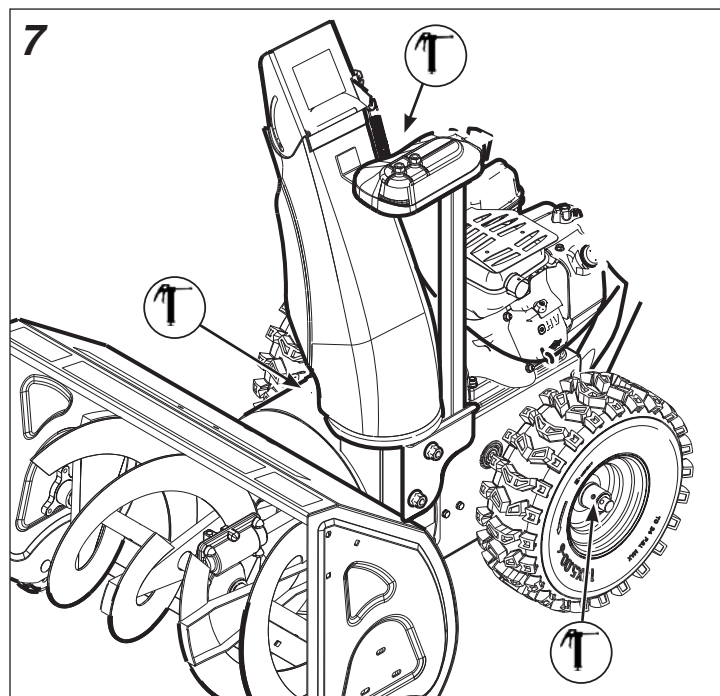
Lubricación de las uniones de las palancas de control

Lubrique las uniones de las palancas de control en los lugares que se indican en la Figura 6.



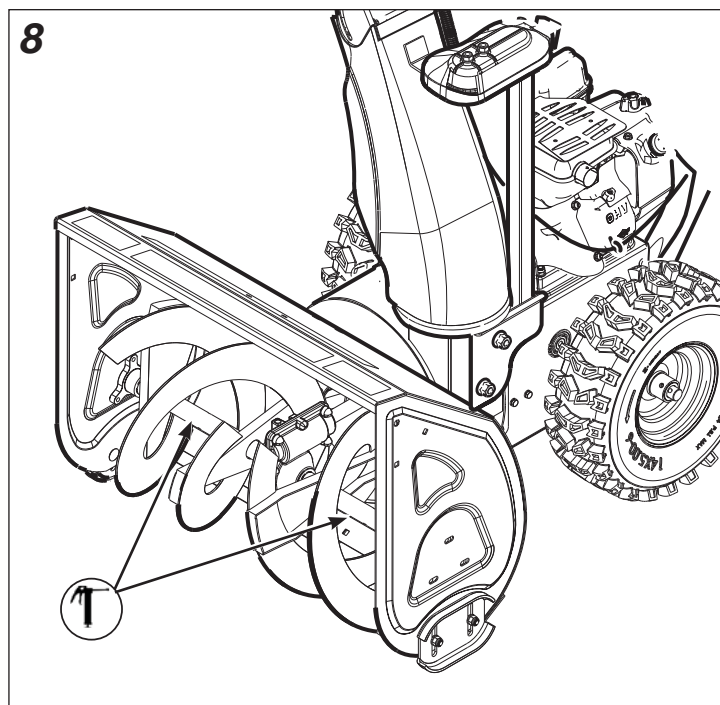
Lubricación del conducto de descarga, deflector y eje de la rueda

Lubrique el conducto de descarga, el deflector y el eje de la rueda en las ubicaciones que se muestran en la Figura 7.



Lubricación del conjunto de barrena

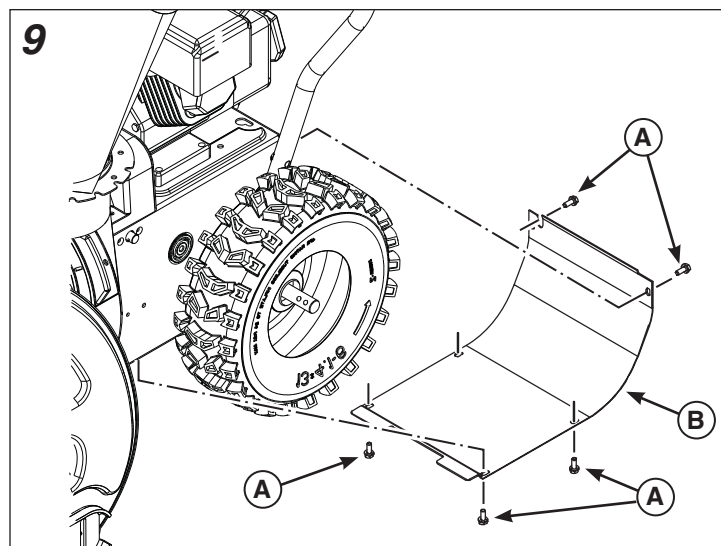
Lubrique el conjunto de barrena en los lugares que se indican en la Figura 8.



Lubricación del eje hexagonal y los engranajes

AVISO: No deje que la grasa o el aceite entre en contacto con la rueda de fricción de caucho o con la placa de transmisión del disco. Si la grasa o el aceite entran en contacto con la rueda de fricción, reemplácela. No intente limpiarla. Si la grasa o el aceite entran en contacto con la placa de transmisión del disco, límpiela completamente con un solvente a base de alcohol.

1. Coloque la palanca del selector de velocidad en el primer cambio hacia adelante.
2. Drene el combustible en un recipiente aprobado para este fin.



ADVERTENCIA

Peligro de incendio y explosión

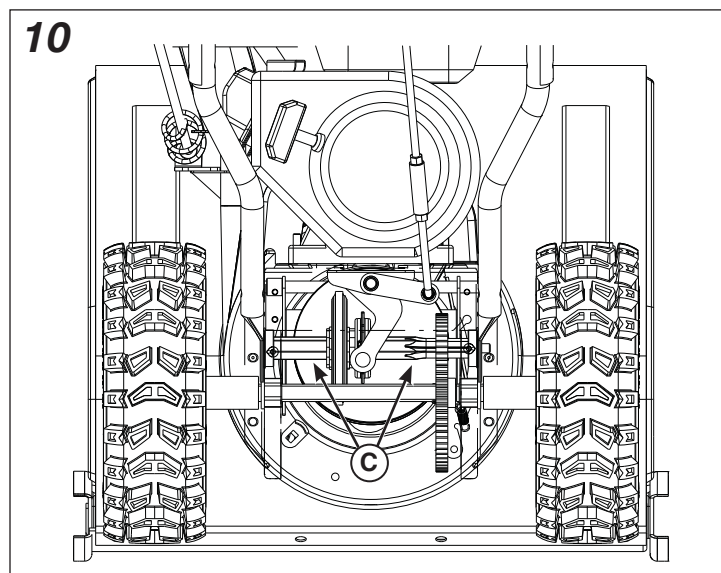
La gasolina es extremadamente inflamable y sus vapores son explosivos.

Vacíe la gasolina al aire libre, lejos del fuego o de otras fuentes de ignición. Limpie inmediatamente los derrames con un trapo. NO permita que se fume o se enciendan cerillos en la zona, ni que haya llamas expuestas.

3. Apoye el lanzanieve sobre el lado de la carcasa de la barrena.

NOTA: Cuando el cárter esté lleno de aceite, no deje el lanzanieve apoyado sobre la carcasa de la barrena por un período de tiempo prolongado.

4. Retire los tornillos (A, Figura 9) y el panel inferior (B).
5. Limpie el eje hexagonal (C, Figura 10) con aceite sintético para motor 5W30, antes de almacenarlo y al comienzo de cada temporada.
6. Instale el panel inferior (B, Figura 9) y los tornillos (A).



Ajuste del cable de tracción y de la barrena



ADVERTENCIA

Peligro de amputación

La excesiva tensión del cable de la barrena puede provocar que la transmisión de la barrena se active sin haber presionado el control de transmisión de la barrena.

Siga el procedimiento de ajuste para asegurarse de que el cable no quede excesivamente tenso.

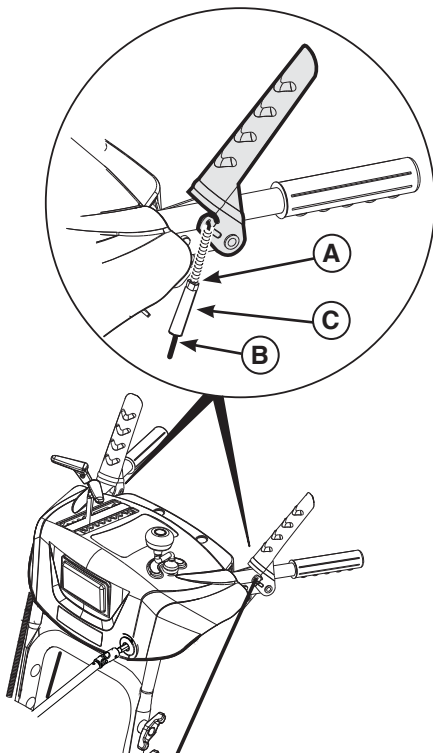
NOTA: Será necesario ajustar los cables de tracción o de la barrena si se estiran o se comban.

1. Suelte la tuerca de aletas (A, Figura 12).
2. Afirme el cable de control (B) para evitar que gire.

NOTA: El cable no debe girar mientras realiza el ajuste.

3. Gire el collar (C) para reducir la holgura, pero no apriete en exceso.
4. Apriete la tuerca de aletas.
5. Realice la prueba de seguridad del lanzanieve para garantizar un funcionamiento adecuado. Consulte **Pruebas del sistema de seguridad**. Si es necesario, realice ajustes adicionales.

11



Ajuste de la varilla de control de velocidad

Si requiere ajustar la varilla de control de velocidad, consulte con un distribuidor autorizado.

Verificación de la presión de los neumáticos



ADVERTENCIA

Peligro de explosión

Inflar en exceso los neumáticos puede causar que exploten, lo que puede provocar lesiones graves.

No infle los neumáticos más allá de la presión máxima.

La presión de los neumáticos debe comprobarse de manera periódica. La presión máxima de los neumáticos está estampada en la pared lateral de los neumáticos. No exceda esta presión.

Reemplazo del perno de seguridad de la barrena



ADVERTENCIA

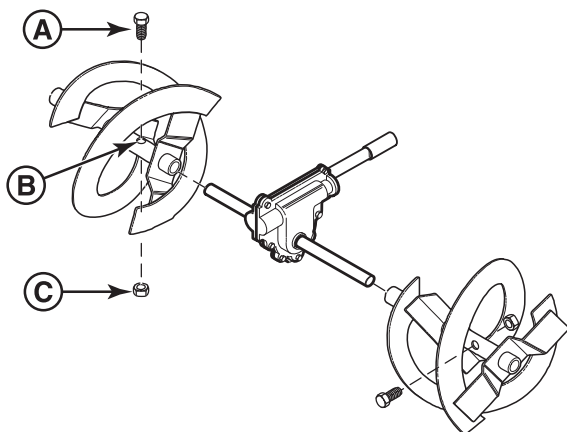
Peligro de amputación

El conducto de descarga contiene un propulsor giratorio que lanza la nieve. Los dedos pueden quedar atrapados rápidamente y puede producirse una amputación traumática o laceraciones graves. El contacto de las manos con el propulsor giratorio dentro del conducto de descarga es la causa más común de lesiones asociadas a los lanzanieve.

APAGUE el motor, espere que se detengan todas las piezas móviles y retire la llave del motor antes de realizar mantenimiento o alguna reparación.

1. APAGUE el motor, espere que se detengan todas las piezas móviles y retire la llave del motor.
2. Retire el perno de seguridad existente (A, Figura 12) y la contratuerca (C) del eje de la barrena (B).
3. Alinee los orificios de los pernos. Instale el perno de seguridad de repuesto a través del eje de la barrena. Fíjelo con la contratuerca.

12



1. APAGUE el motor, espere que se detengan todas las piezas móviles y retire la llave del motor.
2. Retire el perno de seguridad existente (A, Figura 13) y la contratuerca (C) del eje del propulsor (B).
3. Alinee los orificios de los pernos. Instale el perno de seguridad de repuesto a través del eje del propulsor. Fíjelo con la contratuerca.

Reemplazo del perno de seguridad de la caja de engranajes



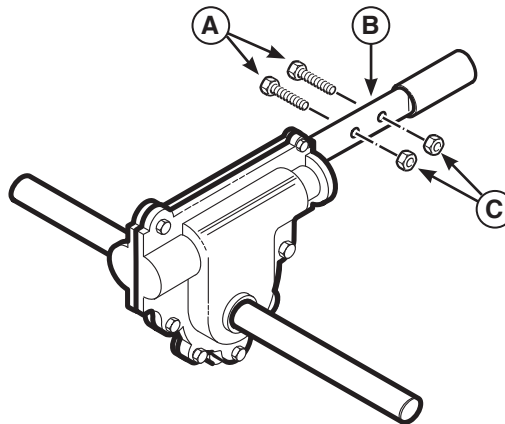
ADVERTENCIA

Peligro de amputación

El conducto de descarga contiene un propulsor giratorio que lanza la nieve. Los dedos pueden quedar atrapados rápidamente y puede producirse una amputación traumática o laceraciones graves. El contacto de las manos con el propulsor giratorio dentro del conducto de descarga es la causa más común de lesiones asociadas a los lanzanieve.

APAGUE el motor, espere que se detengan todas las piezas móviles y retire la llave del motor antes de realizar mantenimiento o alguna reparación.

13



Almacenamiento



ADVERTENCIA



Peligro de incendio y explosión

La gasolina es extremadamente inflamable y sus vapores son explosivos. Los gases pueden viajar hasta una fuente de ignición lejana y provocar un incendio o una explosión.

Manipule la gasolina con cuidado. Nunca guarde la unidad con combustible en el tanque, en interiores o en un lugar cerrado con mala ventilación donde los vapores del combustible pudiesen alcanzar alguna llama expuesta, chispa o luz piloto tal como la de hornos, calentadores de agua o secadoras de ropa.

Equipo

- Limpie la unidad completamente.
- Lubrique el eje hexagonal (consulte la sección de *Mantenimiento*).
- Asegúrese de que todas las tuercas, pernos y tornillos estén bien ajustados. Inspeccione todas las piezas móviles visibles para ver si hay daños, roturas y desgaste. Cambie si es necesario.
- Aplique un antioxidante a cualquier pieza de metal descubierto de la barrena y del impulsor del lanzanieve.
- Si es posible, almacene la unidad en interiores y cúbrala para protegerla del polvo y la suciedad.
- Si debe almacenar la máquina al aire libre, cúbrala con una lona impermeabilizada gruesa.

Sistema de combustible

El combustible puede echarse a perder si se almacena durante más de 30 días. El combustible en mal estado provoca la formación de depósitos de ácido y goma en el sistema de combustible o en piezas esenciales del carburador. Para mantener el combustible fresco, utilice el **Estabilizador y Tratamiento de Combustible de Fórmula Avanzada Briggs & Stratton®**, disponible en los lugares de venta de piezas de servicio originales Briggs & Stratton.

No es necesario vaciar la gasolina del motor si se añade estabilizador de combustible conforme a las instrucciones. Haga funcionar el motor durante 2 minutos para que el estabilizador circule por todo el circuito de combustible antes del almacenamiento. Si no se ha agregado un estabilizador de combustible a la gasolina en el motor, deberá vaciarla completamente en un recipiente aprobado. Haga funcionar el motor hasta que se detenga por falta de combustible. Se recomienda usar un estabilizador de combustible en el recipiente de almacenamiento para mantener el combustible en perfecto estado.

Aceite del motor

Con el motor aún caliente, cambie el aceite del motor. Consulte **Cambio de aceite** en el manual del operador del motor.

Antes de arrancar la unidad después de su almacenamiento:

- Revise los niveles de todos los líquidos. Revise todos los elementos de mantenimiento.
- Realice todas las revisiones y procedimientos recomendados que se encuentran en este manual.
- Deje que el motor se caliente unos minutos antes de utilizarlo.

Resolución de problemas

Resolución de problemas del lanzanieve

Problema	Busque	Solución
La barrena no se detiene a los 5 minutos siguientes después de soltar la palanca de control de la barrena.	El cable de control de la barrena no está bien ajustado.	Ajuste el cable de control de la barrena. Consulte la sección <i>Mantenimiento</i> .
El conducto de descarga o el deflector no funcionan	El conducto de descarga o el deflector están desajustados o es necesario lubricarlos.	Ajuste y lubrique la unión de control.
La barra del raspador no limpia una superficie dura.	Las zapatas y la barra del raspador no están ajustadas adecuadamente.	Levante o baje las zapatas y la barra del raspador.
La unidad no se autopropulsa.	El cable de control de la tracción no está bien ajustado.	Ajuste el cable de control de la tracción. Consulte la sección <i>Mantenimiento</i> .
El motor no arranca.	La llave está en posición APAGADA.	Coloque la llave en posición ENCENDIDA.
	No se presionó el botón de cebado (motor frío).	Presione el botón de cebado dos veces y vuelva a arrancar.
	La válvula de cierre de combustible (si está equipada) está en posición CERRADA.	Gire la válvula hasta la posición ABIERTA.
	No hay combustible.	Rellene el tanque de combustible.
	El estrangulador está en ABIERTO/MARCHA con el motor frío.	Gire el estrangulador a CERRADO/ARRANQUE, coloque el acelerador en RÁPIDO.
	Motor ahogado.	Mueva el estrangulador a la posición ABIERTO/MARCHA, mueva el acelerador a la posición RÁPIDO y gire el motor hasta que arranque.
El motor no arranca bien o no funciona bien.	Hay agua en el combustible o el combustible está rancio.	Drene el tanque. (Deseche el combustible en una instalación autorizada para residuos peligrosos). Llene con combustible nuevo.
	La ventilación de la tapa del combustible está bloqueada.	Limpie la ventilación o reemplace la tapa de combustible.
Vibraciones excesivas.	Hay piezas sueltas o el propulsor está dañado.	Detenga el motor inmediatamente. Apriete todas las piezas metálicas. Si la vibración continúa, solicite a un distribuidor autorizado que repare la unidad.
El lanzanieve no se detiene cuando se suelta la palanca de control de tracción.	El cable de control de la tracción no está bien ajustado.	Ajuste el cable de control de la tracción. Consulte la sección <i>Mantenimiento</i> .
La unidad no descarga nieve.	El cable de control de la barrena no está bien ajustado.	Ajuste el cable de control de la barrena. Consulte la sección <i>Mantenimiento</i> .
	El perno de seguridad de la barrena está roto.	Reemplace el perno de seguridad de la barrena. Consulte la sección <i>Mantenimiento</i> .
	El perno de seguridad de la caja de engranajes está roto.	Reemplace el perno de seguridad de la caja de engranajes. Consulte la sección <i>Mantenimiento</i> .

Problema	Busque	Solución
La unidad no descarga nieve (continuación).	El conducto de descarga está tapado.	Detenga el motor inmediatamente. Utilice siempre la herramienta de limpieza para despejar un conducto de descarga tapado, no utilice las manos. Consulte <i>Advertencia del conducto de descarga</i> en la sección <i>Seguridad del operador</i> .
	Hay un objeto extraño alojado en la barrena.	Detenga el motor inmediatamente. Utilice siempre la herramienta de limpieza para retirar objetos extraños, no utilice las manos. Consulte las ADVERTENCIAS en la sección <i>Seguridad del operador</i> .

NOTA: Para todos los demás problemas, comuníquese con un distribuidor de servicio autorizado.

Especificaciones

Marca del motor	Briggs & Stratton
Serie del modelo del motor	Serie para nieve
Tipo de motor	4 ciclos
Sistema de arranque	Arranque por retroceso y arranque eléctrico, 110 V Paquete de arranque 1-2-3 (si está equipado)
Capacidad de aceite	0,59 L
Capacidad del tanque de combustible	3,0 litros
Brecha de la bujía	0,76 mm
Torsión de la bujía	20 Nm

El sistema de ignición por chispa del lanzanieve cumple con la norma ICES-002 canadiense.

Clasificación de potencia

La clasificación de potencia bruta para modelos de motor de gasolina individual está etiquetada de acuerdo con el código J1940 (Small Engine Power & Torque Rating Procedure) de la SAE (Society of Automotive Engineers), y está clasificada de conformidad con el código SAE J1995. Los valores de torsión se obtienen a 2600 RPM en los motores que indican "rpm" en la etiqueta y a 3060 RPM en los otros; los valores de potencia en caballos de fuerza se obtienen a 3600 RPM. Las curvas de potencia bruta se pueden ver en www.BRIGGSandSTRATTON.COM. Los valores de potencia neta se obtienen con un filtro de aire y escape instalado, mientras que los valores de potencia bruta se recopilan sin estos accesorios. La potencia bruta real del motor es superior a la neta y depende, entre otros factores, de las condiciones ambientales de uso y de las variaciones entre distintos motores del mismo modelo. Dada la amplia gama de productos donde se instalan los motores, es posible que el motor de gasolina no desarrolle la potencia bruta nominal cuando se utiliza en un equipo motorizado determinado. Esta diferencia se debe, entre otros factores, a: accesorios (filtro de aire, escape, carga, refrigeración, carburador, bomba de combustible, etc.), limitaciones de la aplicación, condiciones ambientales de uso (temperatura, humedad, altitud) y variaciones entre distintos motores de un mismo modelo. A causa de las limitaciones de fabricación y de capacidad, Briggs & Stratton podrá sustituir este motor por un motor con mayor clasificación de potencia.

Produits couverts par le présent manuel

Les produits suivants sont couverts par le présent manuel : 1696614-00, 1696616-00, 1696619-00, 1696620-00.

Contenu du manuel


Sécurité de l'utilisateur.....	3
Tests du système de sécurité.....	8
Caractéristiques et commandes.....	9
Utilisation.....	10
Entretien.....	13
Dépannage.....	18
Spécifications.....	19


REMARQUE : Veuillez vous reporter au Guide des personnes-ressources pour le client et aux Instructions de montage pour des informations supplémentaires sur ce produit.


Les images dans ce document sont représentatives. Votre unité peut varier des images affichées. GAUCHE et DROITE sont tel que vu à partir de la position de l'opérateur.


Sécurité de l'utilisateur

Symbole d'alerte de sécurité et mots-indicateurs

Le symbole d'alerte  sert à identifier les informations relatives à la sécurité concernant les risques susceptibles de provoquer des blessures personnelles. Un mot-indicateur (DANGER, AVERTISSEMENT ou MISE EN GARDE) est utilisé avec le symbole de sécurité pour indiquer la probabilité et la gravité potentielle des blessures. De plus, un symbole de danger peut être utilisé pour représenter un type de danger.

 **DANGER** indique un danger qui, si non évité, résultera à la mort ou blessure grave.

 **AVERTISSEMENT** indique un danger qui, si non évité, peut résulter à la mort ou blessure grave.

 **MISE EN GARDE** indique un danger qui, si non évité, peut entraîner des blessures mineures à modérées.


AVIS indique une action qui pourrait résulter en un dommage au produit.

Tableau des symboles de risque

Symboles de risque Souffleuse à neige

Symbole	Signification	Symbole	Signification
	Information de sécurité au sujet des dangers qui peuvent causer de blessures corporelles.		Lire et comprendre le manuel d'utilisation avant de faire fonctionner ou de faire l'entretien de la machine.
	Risque d'amputation - impulseur en mouvement.		Enlever la clé avant d'effectuer un entretien.
	Risque d'amputation - impulseur en mouvement.		Risque d'amputation - tarière en mouvement.
	Risque d'amputation - ne pas toucher aux pièces en mouvement.		Risque de projection d'objets.
	Risque d'incendie.		Risque d'explosion.
	Risque d'électrocution.		Risque de vapeurs toxiques.
	Risque de surface chaude.		Une protection des oreilles est recommandée pour une utilisation prolongée.
	Se tenir à une distance sécuritaire.		Porter des lunettes de sécurité.
	Garder hors de la portée des enfants.		Risque de rebond.

Information sur le recyclage



Tout le matériel d'emballage, les huiles usées et les batteries devraient être recyclés selon les réglementations gouvernementales applicables.

Messages de sécurité



AVERTISSEMENT

Modèles des É.-U. : Certains composants de cet équipement et de ses accessoires contiennent des produits chimiques reconnus dans l'état de Californie comme étant cause de cancer, d'anomalies congénitales ou d'autres effets néfastes sur la fonction de reproduction. Se laver les mains après la manipulation.



AVERTISSEMENT

Modèles des É.-U. : L'échappement du moteur de cet appareil contient des produits chimiques connus selon l'État de la Californie de causer le cancer, des anomalies congénitales ou autre effet nuisible à la reproduction.



DANGER



- Le contact des mains avec la turbine rotative dans la goulotte d'éjection est la cause la plus courante de blessure associée aux souffleuses à neige.
- Cette souffleuse à neige est capable d'amputer les mains ou les pieds et de projeter des objets. Lire et observer toutes consignes de sécurité contenues dans ce manuel. Le défaut de le faire pourrait résulter en de graves blessures voire la mort.



AVERTISSEMENT



Lire, comprendre et suivre toutes les instructions sur la souffleuse à neige et dans le manuel de l'opérateur avant de faire fonctionner cette unité.

À défaut d'observer les instructions de sécurité dans ce manuel peut résulter à la mort ou une blessure grave.

- Être complètement familier avec les commandes et l'utilisation appropriée de la souffleuse à neige.
- S'assurer d'être adéquatement formé avant de faire fonctionner la souffleuse à neige.
- Savoir arrêter la machine et débrayer rapidement les commandes.
- Ne jamais laisser une autre personne faire fonctionner la souffleuse à neige sans formation adéquate.
- Toujours suivre les instructions dans le manuel de l'opérateur, si la souffleuse à neige sera entreposée pour une période prolongée.
- Prendre soin des étiquettes de sécurité et d'instructions et les remplacer au besoin.
- Ne jamais essayer de faire des réparations majeures sur la souffleuse à neige à moins d'être adéquatement formé. L'entretien inadéquat de la souffleuse à neige peut résulter en un fonctionnement dangereux, des dommages à l'équipement et l'annulation de la garantie du produit.



DANGER



Le conduit d'éjection contient une turbine rotative pour éjecter la neige. Ne jamais déboucher ou dégager le conduit d'éjection avec vos mains. Les doigts peuvent facilement être pris dans l'impulseur. Toujours utiliser un outil de nettoyage.

À défaut d'observer ces instructions de sécurité résultera à une amputation traumatique ou dilacération grave.



DANGER



Garder les mains, les pieds et les vêtements loin des pièces rotatives. Les pièces rotatives peuvent contacter ou enchevêtrer les mains, les pieds, les cheveux, les vêtements ou accessoires.

À défaut d'observer ces instructions de sécurité résultera à une amputation traumatique ou dilacération grave.

- Lors du nettoyage, de la réparation ou de l'inspection de la souffleuse à neige, s'assurer que le moteur est à la position ARRÊT, que la bougie d'allumage est débranchée et que toutes les pièces mobiles sont arrêtées.
- Ne jamais placer les mains ou les pieds près ou en-dessous des pièces en mouvement. Toujours se tenir à l'écart de l'ouverture d'éjection.
- Ne jamais faire fonctionner la souffleuse à neige sans les protecteurs appropriés, et autres dispositifs de sécurité en place lors du fonctionnement.
- Ne jamais laisser votre souffleuse à neige sans surveillance lorsque le moteur est en marche. Toujours débrayer les commandes de tarière et de traction, arrêter le moteur et retirer les clés.
- S'assurer que vos vêtements lâches ne sont pas à la portée du devant de la souffleuse à neige et de la tarière. Les foulards, les mitaines, les cordons pendants, les vêtements lâches et pantalons peuvent rapidement être pris dans le dispositif rotatif et une amputation en résultera. Attacher les cheveux longs et enlever les bijoux.
- Faire fonctionner la machine pour quelques minutes après le déchargement de la neige pour empêcher le gel du collecteur/impulseur.
- Débrayer la commande de l'ensemble de la tarière et de la turbine pour transporter la souffleuse à neige et lorsqu'elle n'est pas utilisée.



AVERTISSEMENT



Les objets peuvent être ramassés par la tarière et projetés du conduit. Ne jamais décharger la neige vers les spectateurs ou ne jamais permettre quiconque devant la souffleuse à neige. À défaut d'observer ces instructions de sécurité dans ce manuel résultera à la mort ou blessure grave.

- Toujours porter des lunettes de sécurité ou un écran protecteur pendant le fonctionnement et lors d'un ajustement ou réparation.
- Être attentif de la direction d'où la neige est éjectée. Les piétons tous près, les animaux domestiques ou les propriétés peuvent être endommagés par la projection des objets.
- Être attentif à votre environnement pendant le fonctionnement de la souffleuse à neige. Ne pas passer par dessus des objets comme le gravier, les tapis d'accueil, les journaux, les jouets et les pierres cachées sous la neige, puisqu'ils peuvent tous être projetés du conduit ou bloqués dans la tarière.
- Être très prudent lors du fonctionnement sur ou traversant les voies d'accès, les trottoirs ou les routes de gravel.
- Ajuster la hauteur du boîtier de collection pour dégager le gravel ou toutes autres matières rocheuses.
- Ne jamais utiliser jamais la souffleuse à neige à proximité de vitres, de voitures, de puits de fenêtres, de descentes ou autres sans réglage adéquat de l'angle d'éjection.
- Se familiariser avec l'endroit dans lequel vous planifiez faire fonctionner la souffleuse à neige. Marquer les bornes des voies d'accès et des trottoirs.



AVERTISSEMENT



Des accidents tragiques peuvent se produire si l'utilisateur ne fait pas attention à la présence d'enfants. Les enfants sont souvent attirés par la machine et le soufflage de neige. Ne jamais supposer que les enfants resteront là où ils ont été vus pour la dernière fois.

- Garder les enfants hors de portée pendant le fonctionnement. Les enfants sont souvent attirés à l'équipement. Soyez attentif des personnes présentes.
- Faire preuve de vigilance et arrêter la machine si des enfants pénètrent dans la zone.
- Ne jamais laisser les enfants se servir de la machine.
- Faire preuve de prudence à l'approche d'angles morts, d'arbustes, d'arbres et d'autres objets susceptibles de masquer la vision. Des enfants peuvent être présents.



AVERTISSEMENT



Les moteurs émettent du monoxyde de carbone, un gaz toxique sans odeur ni couleur. Le fait de respirer le monoxyde de carbone peut causer des nausées, des évanouissements ou la mort.

- Démarrer et faire tourner le moteur à l'extérieur.
- Ne pas faire tourner le moteur dans un endroit clos, même si les portes ou les fenêtres sont ouvertes.



AVERTISSEMENT



Le carburant et ses vapeurs sont extrêmement inflammables et explosifs. Toujours manipuler le carburant avec un soin extrême.

À défaut d'observer ces instructions de sécurité peut causer un feu ou explosion qui résultera à des brûlures graves ou la mort.

Lors du remplissage de carburant

- Arrêter le moteur et laisser refroidir pour au moins 2 minutes avant d'enlever le bouchon de réservoir pour ajouter le carburant.
- Remplir le réservoir de carburant dehors ou dans un endroit bien ventilé.
- Ne pas trop remplir le réservoir de carburant. Pour permettre l'expansion de l'essence, ne pas remplir au-dessus du bas du cou du réservoir de carburant.
- Garder le carburant loin des étincelles, des flammes nues, des veilleuses, de la chaleur et des autres sources d'inflammation.
- Vérifier souvent les lignes de carburant, le bouchon et les accessoires pour fissures et fuites. Remplacer si nécessaire.
- Utiliser un réservoir de carburant approuvé.
- Si le carburant renverse, attendre jusqu'à ce qu'il soit vaporisé avant de mettre en marche le moteur.

Lors du démarrage du moteur

- Vous assurer que la bougie d'allumage, le silencieux, le bouchon de carburant et filtre à air (si équipé) sont en place et bien fixés.
- Lorsque la bougie d'allumage est enlevée, ne pas mettre le moteur en marche.
- Si le carburant est renversé, ne pas essayer de mettre en marche le moteur, mais déplacer la souffleuse à neige loin de la section du dégât et éviter de créer toute source d'ignition jusqu'à ce que les vapeurs de carburant se soient évaporées.
- Ne pas amorcer pas trop le moteur. Suivre les instructions dans ce manuel pour mettre le moteur en marche.
- Si le moteur est noyé, régler le volet de départ (si équipé) à la position OUVERT / MARCHE, déplacer l'accélérateur (si équipé) à la position VITE et mettre en marche le moteur.

Lors du fonctionnement de l'équipement

- Ne pas incliner la souffleuse à neige à un angle qui cause un renversement de carburant.
- Ne pas étouffer le carburateur pour arrêter le moteur.
- Si l'assemblage d'épurateur (si équipé) ou le filtre à air est enlevé, ne pas faire fonctionner le moteur.

Lors du remplacement de l'huile

- Si la vidange de l'huile est faite par le tube de remplissage du haut, le réservoir de carburant doit être vide ou le carburant peut s'écouler et peut résulter en feux ou explosion.

Lors du transport de l'équipement

- Transporter lorsque le réservoir est VIDE, ou lorsque la soupape d'arrêt est FERMÉE.

Entreposage de carburant ou d'équipement avec du carburant dans le réservoir

- Entreposer loin des fournaies, des poêles, des chauffe-eaux ou autres appareils qui ont une veilleuse ou autre source d'allumage qui peut allumer les vapeurs de carburant.



AVERTISSEMENT



Le fonctionnement sans danger de la souffleuse à neige exige un soin et un entretien appropriés du moteur.

- Débrayer tous les volets de départ et changer la vitesse au neutre avant de faire démarrer le moteur.
- Laisser le moteur s'ajuster à la température extérieure avant de commencer de déblayer la neige.
- Utiliser une fiche trifilaire mise à la terre pour toutes souffleuses à neige munies d'un moteur d'entraînement électrique ou d'un moteur de démarrage électrique.



AVERTISSEMENT



La mise en marche du moteur crée une gerbe d'étincelles.

L'étincelle peut mettre le feu au gaz inflammable tout près.

Explosion et incendie pourraient en résulter.

- S'il y a une fuite de gaz naturel ou PL dans l'endroit où vous êtes, ne pas démarrer le moteur.
- Ne pas utiliser des fluides de démarrage sous pression parce que leurs vapeurs sont inflammables.



AVERTISSEMENT



Le fonctionnement du moteur produit de la chaleur. Les pièces du moteur, en particulier le silencieux, deviennent extrêmement chaudes.

À défaut d'observer ces instructions de sécurité peut résulter à des brûlures thermiques graves au contact.

- Ne jamais toucher jamais un moteur ou un silencieux chaud. Laisser le silencieux, le cylindre de moteur et les ailettes refroidir avant de toucher.
- Enlever tous débris de la section du silencieux et de la section du cylindre.
- Installer et entretenir en bon état le pare-étincelles avant d'utiliser l'équipement sur une terre brute de couverture de forêt, de gazon ou de brousse.
- **Modèles des É.-U.** :L'utilisation ou le fonctionnement du moteur sur des terrains forestiers, broussailleux ou herbeux constitue une violation de la Section 4442 du Code des ressources publiques de Californie, à moins que le système d'échappement ne soit équipé d'un pare-étincelles, comme le définit la Section 4442, maintenu en bon état de marche. D'autres provinces ou juridictions fédérales peuvent avoir des lois similaires. Communiquer avec le fabricant, le détaillant ou le concessionnaire d'origine de l'appareil pour obtenir un pare-étincelles conçu pour le système d'échappement installé sur ce moteur.



AVERTISSEMENT



Cette souffleuse à neige doit être adéquatement entretenue pour assurer un fonctionnement et une performance en toute sécurité. À défaut d'observer les instructions de sécurité dans ce manuel peut résulter à la mort ou une blessure grave.

- Lors de l'entretien ou de la réparation de la souffleuse à neige, arrêter le moteur (OFF), déconnecter le fil de bougie et garder le fil loin de la prise afin d'empêcher que quelqu'un mette en marche le moteur accidentellement.
- Vérifier les boulons de cisaillement et autre quincaillerie à intervalles fréquents pour s'assurer d'un serrage adéquat.
- Garder les écrous et boulons bien serrés et la souffleuse à neige en bon état de marche.
- Ne jamais altérer les dispositifs de sécurité. Vérifier régulièrement leur bon fonctionnement et réparer le cas échéant.
- Les composantes sont soumises à l'usure, aux dommages et à la détérioration. Vérifier fréquemment les composants et remplacer les pièces recommandés au besoin.
- Vérifier fréquemment le fonctionnement des commandes. Ajuster et réparer le cas échéant.
- Utiliser seulement des pièces de remplacement autorisées par l'usine, ou des pièces semblables, lors de réparations.
- Toujours se conformer aux spécifications d'usine sur tous les paramètres et réglages.
- Utiliser seulement des accessoires et des équipements autorisés par l'usine, ou semblables, comme des poids de roues, des contrepoids, ou des cabines.
- Ne jamais essayer de faire des ajustements pendant que le moteur est en marche (à l'exception de la recommandation spécifique du fabricant).



AVERTISSEMENT

Cette souffleuse à neige est dépendant de l'opérateur pour sécurité. Si mal utilisée ou mal entretenue, ceci peut être dangereux. Se rappeler que l'utilisateur est responsable de sa propre sécurité et de celle de ceux qui sont à ses côtés.

- Garder toutes les personnes, en particulier les enfants et les animaux de compagnie, à distance.
- Inspecter complètement l'endroit où la souffleuse à neige sera utilisée et enlever tous tapis d'accueils, les luges, les planches à neige, les cordons d'alimentation et autres corps étrangers.
- Ne pas faire fonctionner la souffleuse à neige sans porter des vêtements de neige convenables.
- Le port de chaussures améliorera la stabilité sur des surfaces glissantes.
- Être attentif pour éviter de glisser ou de tomber particulièrement lors du fonctionnement de la souffleuse à neige en marche arrière.
- Ne jamais utiliser la machine si la visibilité est mauvaise ou si la lumière est insuffisante. Toujours garder un bon équilibre et tenir fermement les poignées.
- Ne pas déblayer la neige de la surface des pentes. Être très prudent lors du changement de direction sur les pentes. Ne pas tenter de déblayer des pentes raides.
- Ne pas surcharger la capacité de la machine en essayant de déblayer la neige trop vite.
- Ne pas faire fonctionner la souffleuse à neige à une haute vitesse de transport sur des surfaces glissantes. Regarder derrière la souffleuse à neige et être prudent lors du fonctionnement en marche arrière.
- Ne pas utiliser la souffleuse à neige sur des surfaces audessus du sol comme les toits des résidences, les garages, les vérandas ou toutes autres structures ou édifices.
- Les opérateurs doivent évaluer leur abilité de faire fonctionner la souffleuse à neige en toute sécurité suffisamment pour protéger eux-mêmes et les autres de blessures.
- La souffleuse à neige est conçue pour enlever la neige seulement. Ne pas utiliser la souffleuse à neige pour toute autre raison.
- Ne pas transporter des passagers.
- Après avoir frappé un corps étranger, fermer le moteur à ARRÊT, déconnecter le cordon des moteurs électriques, inspecter complètement la souffleuse à neige pour aucun dommage, et réparer le dommage avant de recommencer et de faire fonctionner la souffleuse à neige.
- Si la souffleuse à neige secousse d'une manière anormale, fermer le moteur à ARRÊT. Toute vibration est généralement un avertissement de problème. Voir un concessionnaire agréé pour de réparation nécessaire.
- Pour des modèles munis avec des moteurs de démarrage électrique, débrancher le cordon d'alimentation après la mise en marche du moteur.



AVERTISSEMENT



Les cordons d'alimentation endommagés ou non mis à la terre pourraient provoquer une décharge électrique.

Une décharge électrique pourrait causer des brûlures graves voire la mort.

Lors de l'utilisation du démarreur électrique

- Le cordon d'alimentation doit être correctement mis à la terre en tout temps.
- Utiliser uniquement un cordon d'alimentation trois conducteurs correctement mis à la terre à la source d'alimentation.
- Si le cordon d'alimentation est endommagé, il doit être remplacé par une personne qualifiée pour éviter un danger.



AVERTISSEMENT



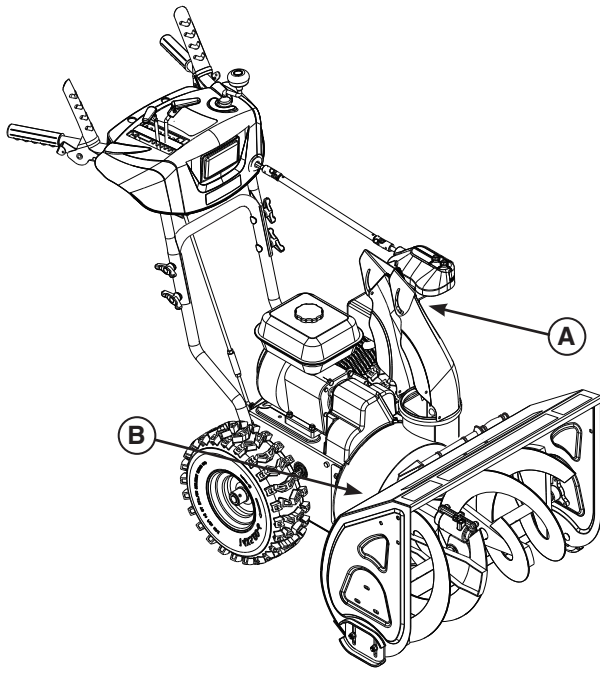
Une rétraction rapide du cordon du démarreur (effet de rebond) tirera votre main et votre bras vers le moteur plus rapidement que l'on ne peut relâcher le cordon du démarreur.

Des os cassés, des fractures, des bleus, ou des foulures peuvent en résulter.

Lors du démarrage du moteur

- Tirer lentement le cordon du démarreur jusqu'à ce qu'une résistance soit ressentie puis tirer rapidement pour éviter tout effet de rebond.

1



Tests du système de sécurité



Risque d'amputation

Cette souffleuse à neige est équipée de plusieurs systèmes de sécurité mécanique conçus pour protéger l'opérateur lors de l'utilisation de l'unité. Vérifier le bon fonctionnement de ces systèmes régulièrement à l'aide des tests du système de sécurité listés. Si l'unité ne fonctionne pas tel que décrit, NE PAS la faire fonctionner. Voir votre concessionnaire autorisé pour du service immédiat.

Test 1 - Commande tarière/impulseur

Avec le moteur en marche :

- Appuyer sur le levier de commande de tarière. (La tarière/impulseur devrait tourner)
- Relâcher la manette de commande de tarière. La tarière/impulseur doit arrêter en dedans de 5 secondes)

Test 2 - Commande d'entraînement de traction

Avec le moteur en marche et la commande de vitesse en 1ère vitesse :

- Appuyer sur le levier de commande de traction. (L'unité devrait avancer).
- Relâcher le levier de commande de traction. (L'unité doit arrêter)

Test 3 - Commande Free Hand

Avec le moteur en marche :

- Embrayer les leviers de commande de tarière et de traction, puis relâcher le levier de commande de tarière. (Les deux commandes devraient rester embrayées)
- Ensuite, relâcher le levier de commande de traction. (Les deux commandes doivent relâcher)

<p>A Autocollant de danger du conduit (N° de pièce 1737865)</p>	
<p>B Autocollant Danger Tarière (modèles à grand châssis) (N° de pièce 1737866)</p>	

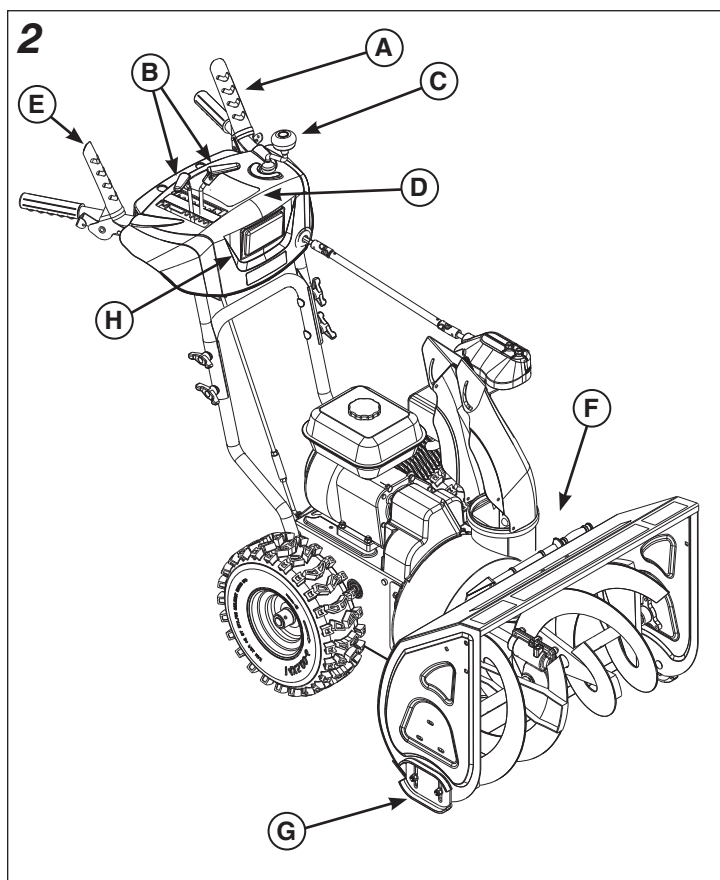
Caractéristiques et commandes

Caractéristiques et commandes du moteur

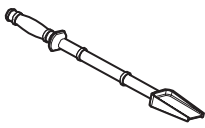

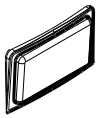
Veillez vous reporter au manuel d'instructions du moteur pour les caractéristiques et les commandes du moteur.

Souffleuse à neige Caractéristiques et commandes

Comparer la Figure 2 avec la table ci-dessous.



A		<p>Levier de commande de la tarière - Utilisé pour embrayer et débrayer la tarière et l'impulseur.</p>
B		<p>Levier de sélection de vitesse - Permet à l'opérateur de sélectionner les vitesses de marche avant ou de marche arrière.</p> <p>REMARQUE : Ne pas déplacer le levier de sélection de vitesse pendant que la commande de traction est embrayée. Ceci peut résulter à un dommage grave au système d'entraînement.</p> <p>Commande de déflecteur - Tableau de bord - Utilisée pour contrôler l'angle du déflecteur (haut ou bas).</p>
C		<p>Manivelle de rotation du conduit - Tableau de bord - Utilisée pour tourner le conduit d'éjection vers la gauche ou la droite.</p>
D		<p>Commande Free Hand™ - Après avoir embrayé la commande de traction (droite) et la commande de tarière (gauche), permet à l'opérateur de relâcher le levier de commande de tarière pour utiliser d'autres commandes.</p>
E		<p>Levier de commande de traction - Utilisé pour propulser la souffleuse à neige en avant ou en arrière. Voir aussi, « Commande Free-Hand ».</p>

F		Outil de nettoyage - Utilisé pour enlever la neige et débris du conduit d'éjection et du boîtier de tarière.
G		Patins - Utilisés pour ajuster le garde au sol de l'habitacle de la tarière.
H		Phare avant - Illumine la zone en avant de la souffleuse à neige. REMARQUE : Le design du phare avant varie selon le modèle.

Utilisation de la souffleuse à neige



Risque d'amputation

Le conduit d'éjection contient une turbine rotative pour éjecter la neige. Les doigts peuvent facilement être prises dans l'impulseur. Ne jamais déboucher ou dégager le conduit d'éjection avec vos mains. Toujours utiliser un outil de nettoyage.

À défaut d'observer ces instructions de sécurité résultera à une amputation traumatique ou dilacération grave.

Le contact des mains avec la turbine rotative dans la goulotte d'éjection est la cause la plus courante de blessure associée aux souffleuses à neige. Ne jamais utiliser vos mains pour nettoyer le conduit d'éjection.

Pour dégager sécuritairement un conduit d'éjection obstrué, suivre ces instructions :

1. Arrêter (OFF) le moteur.
2. Attendre 10 secondes pour s'assurer que les lames de la turbine se sont arrêtées de tourner.
3. Toujours utiliser un outil de nettoyage, non vos mains.

Utilisation

Avant de faire fonctionner la souffleuse à neige



Lire le manuel d'utilisation avant de faire fonctionner la machine. Cette machine peut être dangereuse si utilisée d'une manière négligente.

- Ne jamais faire fonctionner la souffleuse à neige si tous les protecteurs, couvercles, et dispositifs de protection ne sont pas en place.
- Arrêter le moteur lorsque vous vous éloignez de la machine.
- Enlever la clé avant de débloquer le boîtier d'impulseur ou le conduit d'éjection, et avant de faire des réparations ou des ajustements.
- Enlever la clé lorsque vous vous éloignez de la machine.
- Pour réduire le risque d'incendie, garder la machine propre et exempte de gaz renversé, d'huile et d'autres débris.
- Sur les modèles à démarrage électrique, débrancher la rallonge avant de faire fonctionner.
- S'assurer de vérifier le niveau d'huile du moteur avant de démarrer le moteur. Vous reporter au manuel du moteur pour les recommandations d'huile.



Risque de vapeurs toxiques

Les moteurs émettent du monoxyde de carbone, un gaz toxique sans odeur ni couleur.

Le fait de respirer le monoxyde de carbone peut causer des nausées, des évanouissements ou la mort.

- Démarrer et faire tourner le moteur à l'extérieur.
- Ne pas faire tourner le moteur dans un endroit clos, même si les portes ou les fenêtres sont ouvertes.



Risque de projection d'objets

Cette machine est capable de projeter des objets qui pourraient blesser des gens autour, ou causer des dommages aux édifices.

S'assurer que la zone de fonctionnement est exempte de tout spectateur. Ne jamais diriger l'éjection vers quiconque, ou vers des édifices ou des autos.

1. Démarrer le moteur. Veuillez vous reporter au manuel d'instructions du moteur pour des instructions.

REMARQUE : Toujours régler la vitesse du moteur à RAPIDE (plein régime).

2. Tourner la manivelle de rotation du conduit (C, Figure 2) pour régler la direction du conduit d'éjection.
3. Utiliser le levier de commande du déflecteur (F) pour déplacer le déflecteur vers le haut ou vers le bas. Soulever le déflecteur pour éjecter la neige plus loin.
4. Utiliser le levier de sélecteur de vitesse (B) pour sélectionner la vitesse de marche avant ou arrière. Utiliser les vitesses plus basses pour dégager la neige mouillée et pesante. Utiliser les vitesses plus élevées pour la neige légère ou pour le transport.

REMARQUE : Toujours relâcher le levier de commande de traction avant de changer les vitesses.

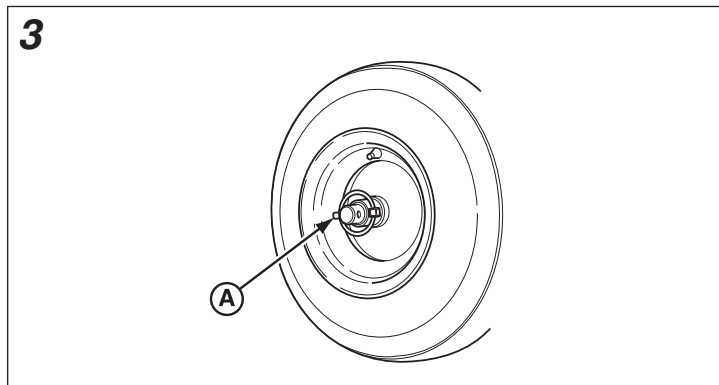
5. Appuyer complètement le levier de commande de tarière (A) pour embrayer la tarière. Relâcher le levier pour arrêter la tarière.
6. Appuyer complètement et tenir le levier de commande de traction/Commande Free-Hand™ (A, E) pour embrayer l'entraînement de traction et propulser la souffeuse à neige. Relâcher le levier pour arrêter la souffeuse à neige.
7. Sur les modèles équipés de commandes Free Hand, lorsque la tarière (A) et les leviers de commande de traction (E) sont appuyés, la commande Free Hand est activée. Ceci vous permet de relâcher le levier de commande de tarière (A) pour utiliser les autres commandes. La tarière continuera de tourner jusqu'à ce que le levier de commande de traction/levier de commande Free-Hand™ soit relâché.
8. Ce modèle est équipé d'un phare (I) pour aider à éclairer la zone en avant de la souffeuse à neige. Le phare est fonctionnel lorsque la souffeuse à neige est en marche.

Arrêter la souffeuse à neige

1. Relâcher le levier de commande de la tarière (A, Figure 2).
2. Relâcher le levier de commande de traction (E).
3. Arrêter le moteur. Veuillez vous reporter au manuel d'instructions du moteur pour des instructions.

Relâchement des roues - Goupilles d'arrêt

Les roues équipées d'une goupille d'arrêt de la traction (A, Figure 3) peuvent être complètement relâchées en enlevant la goupille et en l'installant dans le trou externe de l'essieu. Inverser ce processus pour embrayer la roue d'entraînement.



Remplir le réservoir de carburant

Veuillez vous reporter au manuel d'instructions du moteur pour les instructions sur le remplissage du réservoir de carburant et pour les recommandations de carburant.

Dégager un conduit d'éjection obstrué



DANGER

Risque d'amputation

Le conduit d'éjection contient une turbine rotative pour éjecter la neige. Les doigts peuvent facilement être pris dans l'impulseur. Ne jamais déboucher ou dégager le conduit d'éjection avec vos mains. Toujours utiliser un outil de nettoyage.

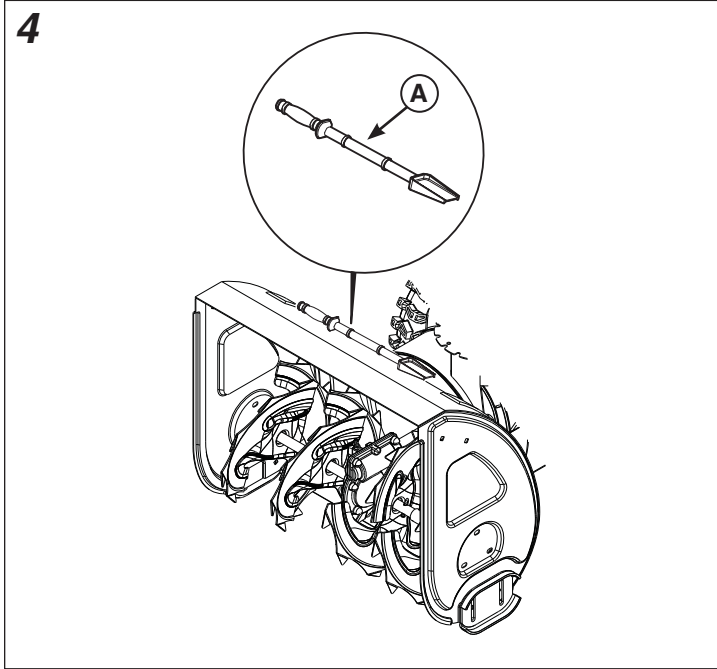
À défaut d'observer ces instructions de sécurité résultera à une amputation traumatique ou dilacération grave.

Le contact des mains avec la turbine rotative dans la goulotte d'éjection est la cause la plus courante de blessure associée aux souffeuses à neige. Ne jamais utiliser vos mains pour nettoyer le conduit d'éjection.

Un outil de nettoyage (A, Figure 4) est fourni avec l'unité.

Pour dégager sécuritairement un conduit d'éjection obstrué, suivre ces instructions :

1. Arrêter (OFF) le moteur.
2. Attendre 10 secondes pour s'assurer que les lames de la turbine se sont arrêtées de tourner.
3. Toujours utiliser un outil de nettoyage, non vos mains.



Ajustement de la hauteur du patin



DANGER

Risque d'amputation

Le conduit d'éjection contient une turbine rotative pour éjecter la neige. Les doigts peuvent facilement se coincer et une amputation traumatique ou dilacération grave en résultera. Le contact des mains avec la turbine rotative dans la goulotte d'éjection est la cause la plus courante de blessure associée aux souffleuses à neige.

Arrêter le moteur (OFF), attendre l'arrêt complet de toutes les pièces en mouvement, et retirer la clé du moteur avant de faire tout entretien ou réparations.



AVERTISSEMENT

Risque de projection d'objets

Les objets tels que le gravier, les pierres ou autres débris, si frappés par l'impulseur, peuvent être projetés avec une force suffisante pour causer des blessures corporelles, des dommages matériels ou pour endommager la souffleuse à neige.

S'assurer de régler les patins à la bonne hauteur pour maintenir un dégagement au sol pour le type de surface qui est dégagé.

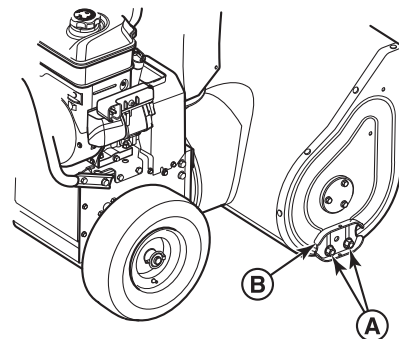
Cette souffleuse à neige est munie de deux patins fixés à l'extérieur du boîtier de la tarière. Ils permettent d'ajuster la hauteur du devant de la souffleuse à neige.

Lors de l'enlèvement de la neige d'une surface dure comme les voies d'accès ou les trottoirs pavés, relever les patins pour abaisser le devant de la souffleuse à neige.

Lors de l'enlèvement de la neige de surfaces recouvertes de gravier ou inégales, abaisser les patins pour relever le devant de la souffleuse à neige. Ceci aidera à empêcher les pierres et les autres débris d'être ramassés et rejetés par les tarières.

1. Déterminer le dégagement requis entre la barre de raclage au bas du boîtier de la tarière et le sol.
2. Placer un bloc d'une épaisseur égale au dégagement de sol désiré sous la barre de raclage.
3. Desserrer les écrous de montage du patin (A, figure 5) et pousser le patin (B) vers le bas jusqu'à ce qu'il touche le sol. Resserrer les écrous de montage.
4. Régler le patin de l'autre côté à la même hauteur.

5



Entretien

Calendrier d'entretien

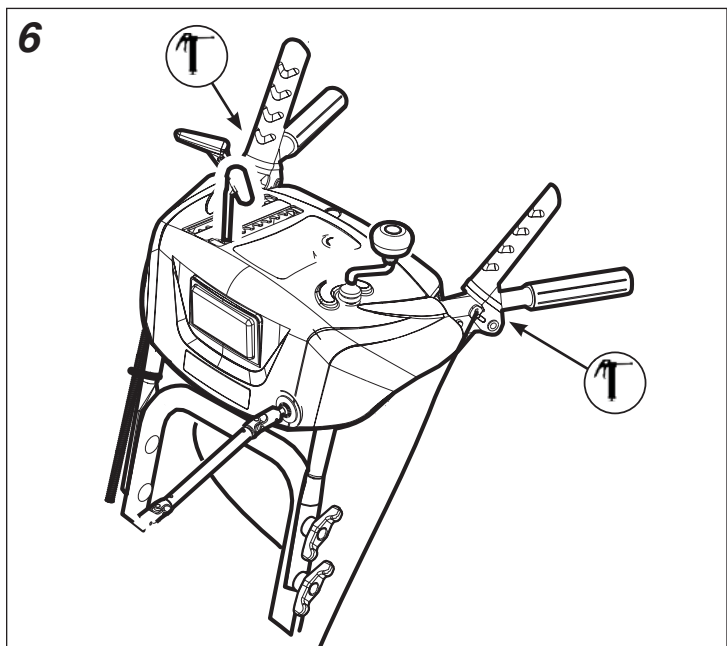
Avant chaque utilisation
<ul style="list-style-type: none">• Vérifier le niveau d'huile du moteur• Effectuer les tests du système de sécurité
Toutes les 8 heures ou chaque jour
<ul style="list-style-type: none">• Vérifier le niveau d'huile du moteur
Toutes les 25 heures ou 1 fois l'an
<ul style="list-style-type: none">• Lubrifier les tringleries du levier de commande• Lubrifier l'ensemble tarière• Lubrifier l'engrenage de rotation du conduit d'éjection et le déflecteur• Lubrifier l'arbre hex et les engrenages
Toutes les 50 heures ou 1 fois l'an
<ul style="list-style-type: none">• Inspecter le silencieux et le pare-étincelles (si équipé)• Vérifier la pression des pneus

Entretien du moteur

Veillez vous reporter au manuel d'instructions du moteur pour les procédures et les calendriers d'entretien du moteur.

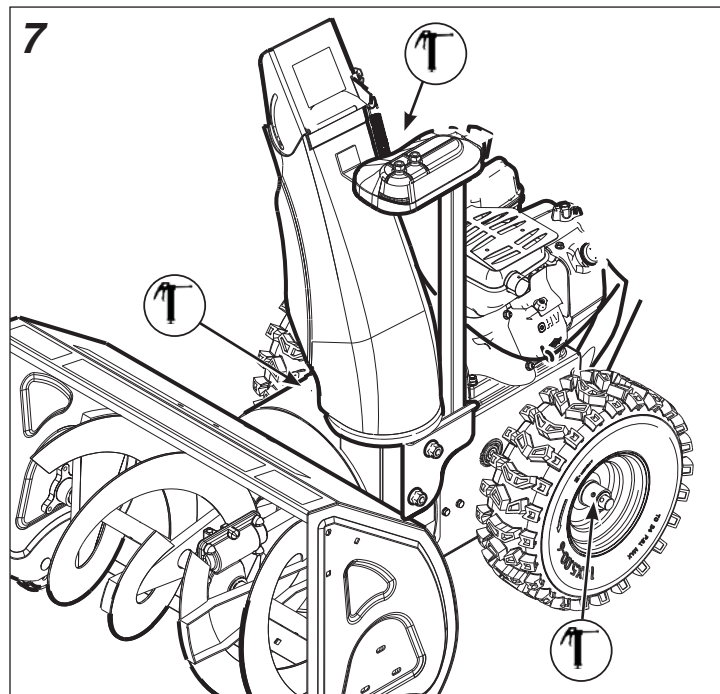
Lubrifier la tringlerie du levier de commande

Lubrifier la tringlerie du levier de commande aux endroits illustrés dans la Figure 6.



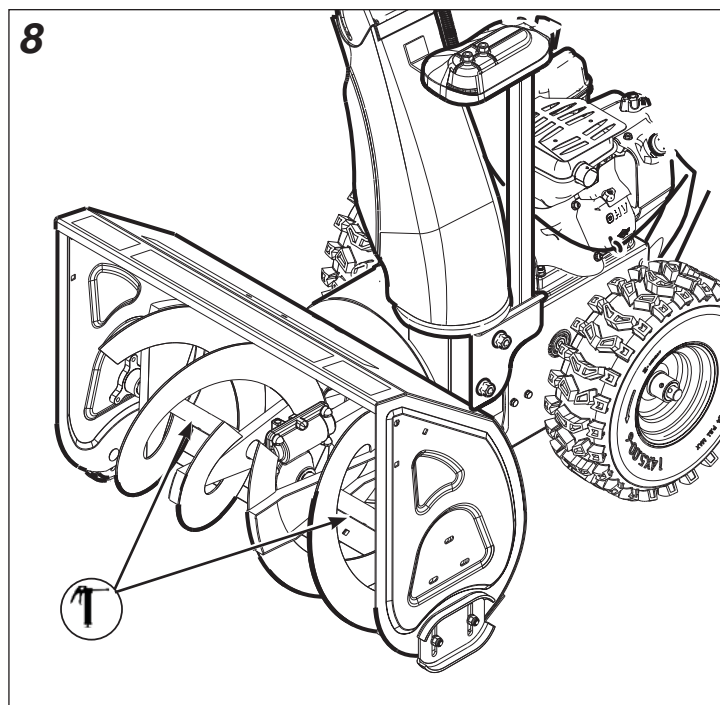
Lubrifier le conduit d'éjection, le déflecteur et l'essieu de la roue

Lubrifier le conduit d'éjection, le déflecteur et l'essieu de la roue aux endroits illustrés dans la Figure 7.



Lubrifier l'ensemble tarière

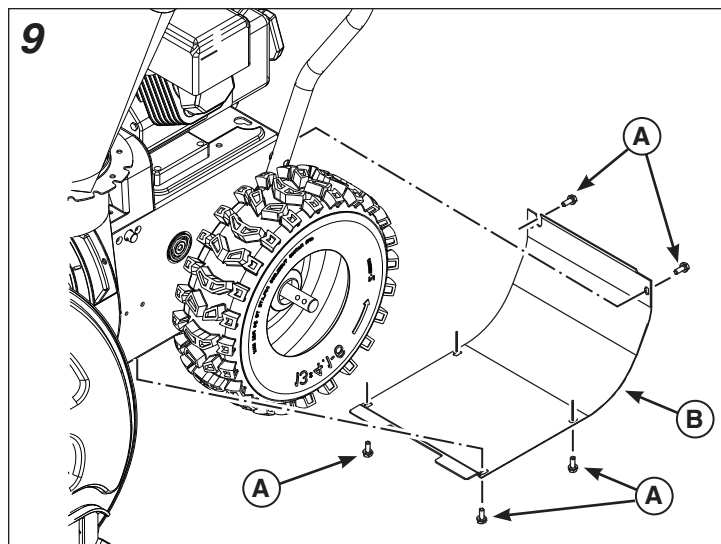
Lubrifier l'ensemble tarière à l'endroit illustré dans la Figure 8.



Lubrification de l'arbre hex et de l'engrenage

REMARQUE : Ne pas laisser la graisse ou l'huile entrer en contact avec la roue de friction en caoutchouc ou la plaque du disque d'entraînement. Si la graisse ou l'huile entre en contact avec la roue de friction, la remplacer. Ne pas tenter de la nettoyer. Si la graisse ou l'huile entre en contact avec la plaque du disque d'entraînement, la nettoyer minutieusement avec un solvant à base d'alcool.

1. Positionner le levier de sélecteur de vitesse en première vitesse avant.
2. Vider le carburant dans un récipient approuvé.



Risque d'incendie et d'explosion

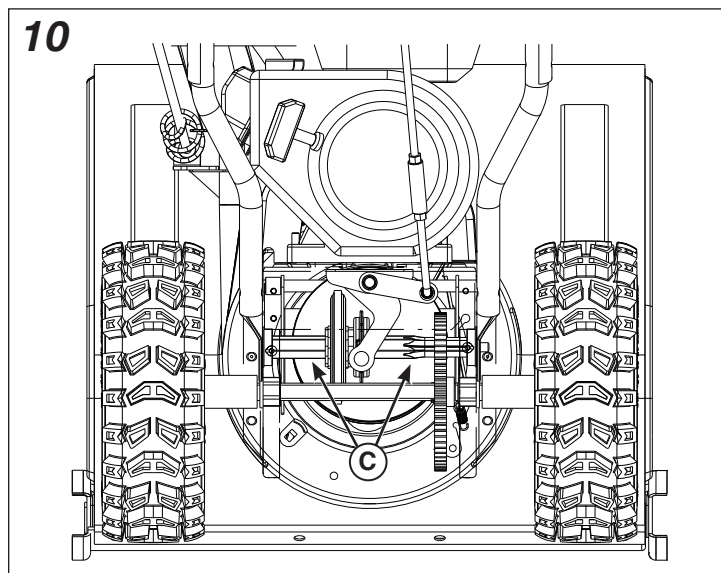
L'essence est hautement inflammable et ses vapeurs sont explosives.

Vider l'essence dehors, loin du feu et autres sources d'allumage. Essuyer immédiatement tout déversement. Ne PAS laisser de flammes nues, d'allumettes et ne jamais fumer dans la zone.

3. Mettre la souffleuse à neige debout sur l'avant-train du boîtier de la tarière.

REMARQUE : Lorsque le carter moteur est rempli d'huile, ne pas laisser la souffleuse à neige debout sur l'habitacle de la tarière pour une période prolongée.

4. Enlever les vis (A, Figure 9) et le panneau du bas (B).
5. Essuyer l'arbre hex (C, Figure 10) avec de l'huile à moteur synthétique 5W30 avant l'entreposage ou au début de chaque saison.
6. Installer le panneau du bas (B, Figure 9) et serrer les vis (A).



Ajustement du câble de la tarière et de traction



AVERTISSEMENT



Risque d'amputation

Trop serrer le câble de la tarière peut faire embrayer l'entraînement de la tarière sans que la commande d'entraînement de la tarière soit enfoncée.

Suivre la procédure d'ajustement pour s'assurer que le câble ne soit pas trop serré.

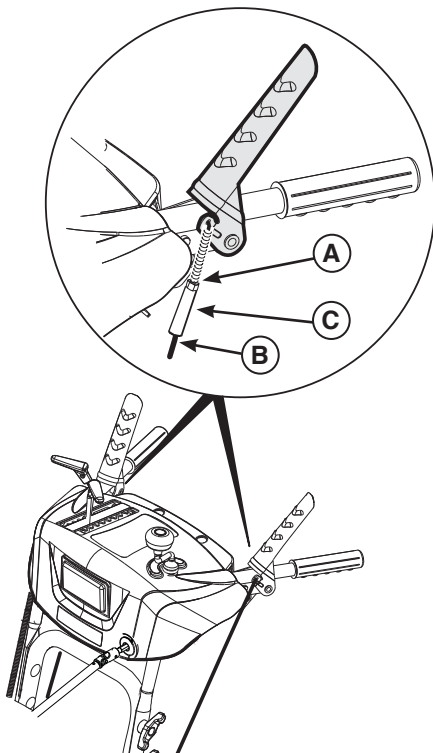
REMARQUE : Si les câbles de la tarière ou de traction ont été étirés ou sont détendus, un ajustement est nécessaire.

1. Desserrer l'écrou à la main (A, Figure 11).
2. Tenir le câble de commande (B) pour l'empêcher de tourner.

REMARQUE : Le câble ne doit pas tourner lors de l'ajustement.

3. Tourner le collier (C) pour enlever le relâchement mais ne pas trop serrer.
4. Serrer l'écrou à la main.
5. Effectuer le test de sécurité de la souffleuse à neige pour assurer un fonctionnement approprié. Voir **Tests du système de sécurité**. Si nécessaire, faire d'autres ajustements.

11



Réglage de la tige de commande de vitesse

Si la tige de commande de vitesse requiert un ajustement, voir un concessionnaire autorisé.

Vérifier de la pression des pneus



AVERTISSEMENT



Risque d'explosion.

Des pneus trop gonflés peuvent les faire exploser ce qui causerait des blessures sérieuses.

Ne pas gonfler les pneus au-dessus de la pression maximale.

La pression des pneus doit être vérifiée périodiquement. La pression maximale du pneu est estampée sur le flanc des pneus. Ne pas dépasser cette pression.

Remplacement du boulon de cisaillement de la tarière



AVERTISSEMENT



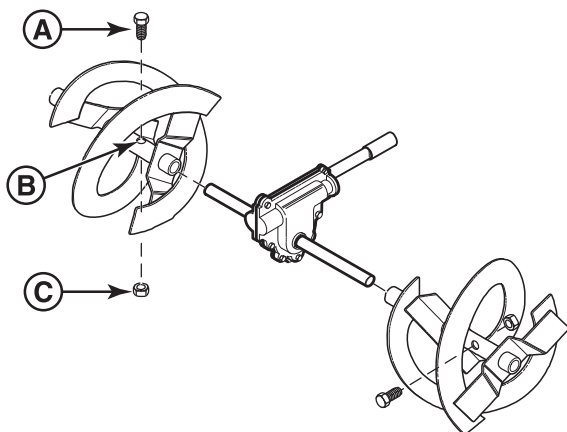
Risque d'amputation

Le conduit d'éjection contient une turbine rotative pour éjecter la neige. Les doigts peuvent facilement se coincer et une amputation traumatique ou dilacération grave en résultera. Le contact des mains avec la turbine rotative dans la goulotte d'éjection est la cause la plus courante de blessure associée aux souffleuses à neige.

Arrêter le moteur (OFF), attendre l'arrêt complet de toutes les pièces en mouvement, et retirer la clé du moteur avant de faire tout entretien ou réparations.

1. Arrêter le moteur (OFF), attendre l'arrêt complet de toutes les pièces en mouvement, et retirer la clé du moteur.
2. Enlever le boulon de cisaillement existant (A, Figure 12) et l'écrou-frein (C) de l'arbre de la tarière (B).
3. Aligner les trous des boulons. Installer le nouveau boulon de cisaillement à travers de l'arbre de la tarière. Fixer avec l'écrou-frein.

12



Remplacement du boulon de cisaillement de la boîte d'engrenage



AVERTISSEMENT



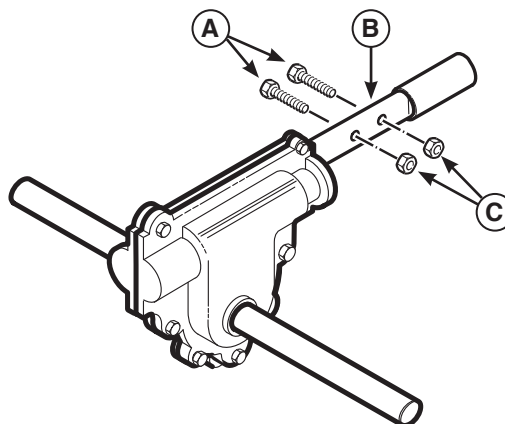
Risque d'amputation

Le conduit d'éjection contient une turbine rotative pour éjecter la neige. Les doigts peuvent facilement se coincer et une amputation traumatique ou dilacération grave en résultera. Le contact des mains avec la turbine rotative dans la goulotte d'éjection est la cause la plus courante de blessure associée aux souffleuses à neige.

Arrêter le moteur (OFF), attendre l'arrêt complet de toutes les pièces en mouvement, et retirer la clé du moteur avant de faire tout entretien ou réparations.

1. Arrêter le moteur (OFF), attendre l'arrêt complet de toutes les pièces en mouvement, et retirer la clé du moteur.
2. Enlever le boulon de cisaillement existant (A, Figure 13) et l'écrou-frein (C) de l'arbre de l'impulseur (B).
3. Aligner les trous des boulons. Installer le nouveau boulon de cisaillement à travers l'arbre de l'impulseur. Fixer avec l'écrou-frein.

13



Entreposage



AVERTISSEMENT



Risque d'incendie et d'explosion

L'essence est hautement inflammable et ses vapeurs sont explosives. Des vapeurs peuvent se déplacer à une source d'allumage distante et causer une explosion et/ou un incendie.

Manipuler l'essence avec prudence. Ne jamais entreposer l'unité, avec du carburant dans le réservoir, à l'intérieur ou dans un endroit enfermé et mal ventilé où les vapeurs du carburant pourraient atteindre une flamme nue, une étincelle ou une flamme d'allumage comme une fournaise, un chauffe-eau, ou une sècheuse.

Équipement

- Nettoyer minutieusement l'unité.
- Lubrifier l'arbre hex (voir la section *Entretien*).
- S'assurer que tous les écrous, les boulons et les vis sont fixés solidement. Inspecter toutes les pièces amovibles pour dommage, brisure et usure. Remplacer si nécessaire.
- Appliquer un antirouille sur toutes les surfaces en métal non peint de la tarière et de l'impulseur de la souffleuse à neige.
- Si possible, entreposer l'unité à l'intérieur et la recouvrir pour la protéger de la poussière et de la saleté.
- Si la machine doit être entreposée à l'extérieur, la recouvrir avec une bâche épaisse.

Système de carburant

Le carburant peut se dégrader lorsqu'il est conservé plus de 30 jours. Un carburant éventé cause la formation de dépôts acides et de gomme dans le système de carburant ou sur les pièces essentielles du carburateur. Pour garder l'essence fraîche, utiliser le **stabilisateur et traitement d'essence à formule évoluée de Briggs & Stratton®**, disponible partout où les pièces d'origine d'entretien de Briggs & Stratton sont vendues.

Il est inutile de vidanger le carburant du moteur si vous ajoutez un stabilisateur d'essence conformément aux directives. Faire tourner le moteur pendant 2 minutes pour faire circuler le stabilisateur à travers le système de carburant avant l'entreposage. Si le carburant dans le moteur n'a pas été traité avec un stabilisateur de carburant, il doit être vidangé dans un récipient approuvé. Faire fonctionner le moteur jusqu'à ce qu'il s'arrête par manque de carburant. L'utilisation d'un stabilisateur de carburant dans le récipient d'entreposage est recommandée pour que le carburant conserve toutes ses propriétés.

Huile à moteur

Pendant que le moteur est encore chaud, remplacer l'huile. Voir **Changer l'huile** dans le manuel d'instructions du moteur.

Avant le démarrage de la machine après son remisage :

- Contrôler tous les niveaux de liquide. Contrôler tous les points d'entretien.
- Effectuer tous les contrôles et procédures recommandés se retrouvant dans ce manuel.
- Laisser le moteur se réchauffer pendant quelques minutes avant toute utilisation.

Dépannage

Dépannage de la souffleuse à neige

Problème	Chercher	Solution
La tarière n'arrête pas en dedans de 5 secondes après que le levier de commande de la tarière est relâché.	Le câble de commande de la tarière est désajusté.	Ajuster le câble de commande de la tarière. Vous reporter à la section <i>Entretien</i> .
Le conduit d'éjection ou le déflecteur ne fonctionne pas	Le conduit d'éjection ou déflecteur est dérégulé ou a besoin de lubrification.	Ajuster et/ou lubrifier la tringlerie de commande.
La barre de raclage ne nettoie pas la surface dure.	Patins et barre de raclage mal ajustés.	Soulever ou abaisser les patins et la barre de raclage.
L'unité ne se propulse pas.	Le câble de commande de la tarière est désajusté.	Ajuster le câble de commande de la tarière. Vous reporter à la section <i>Entretien</i> .
Le moteur ne démarre pas.	La clé est en position ARRÊT.	Mettre la clé en position MARCHE.
	Bouton d'amorceur non appuyé (moteur froid).	Appuyer sur le bouton d'amorceur à deux reprises et redémarrer.
	La soupape d'arrêt du carburant (si équipé) est à la position FERMÉ.	Tourner la soupape à la position OUVERT.
	Panne de carburant.	Remplir le réservoir de carburant.
	Étrangleur en position OUVERT/MARCHE (moteur froid).	Tourner l'étrangleur à FERMÉ/DÉMARRAGE, mettre l'accélérateur à VITE.
Le moteur démarre difficilement ou tourne mal.	Présence d'eau dans le carburant ou carburant ancien.	Vidanger le réservoir. (Vidanger le carburant à une installation autorisée de gestion de déchets dangereux) Remplir avec du carburant frais.
	L'évent du bouchon de carburant est bloqué.	Dégager la ventilation ou remplacer le bouchon du carburant.
Vibration excessive.	Pièces lâches ou dommage à l'impulseur.	Arrêter le moteur immédiatement. Serrer toute la boulonnerie. Si la vibration continue, ayez l'appareil réparé par un concessionnaire agréé.
La souffleuse à neige n'arrête pas quand le levier de la commande de traction est relâché.	Le câble de commande de la tarière est désajusté.	Ajuster le câble de commande de la tarière. Vous reporter à la section <i>Entretien</i> .
L'unité n'éjecte pas la neige.	Le câble de commande de la tarière est désajusté.	Ajuster le câble de commande de la tarière. Vous reporter à la section <i>Entretien</i> .
	Boulon de cisaillement de la tarière brisé.	Remplacer le boulon de cisaillement de la tarière. Vous reporter à la section <i>Entretien</i> .
	Boulon de cisaillement de la boîte d'engrenage brisé.	Remplacer le boulon de cisaillement de la boîte d'engrenage. Vous reporter à la section <i>Entretien</i> .

Problème	Chercher	Solution
L'unité n'éjecte pas la neige (suite).	Éjecteur obstrué.	Arrêter le moteur immédiatement. Utiliser toujours un outil de nettoyage pour dégager le conduit d'éjection, non vos mains. Vous reporter à <i>Avertissement Conduit d'éjection</i> dans la section <i>Sécurité de l'utilisateur</i> .
	Corps étranger pris dans la tarière.	Arrêter le moteur immédiatement. Toujours utiliser un outil de nettoyage pour dégager les corps étrangers, non vos mains. Vous reporter à AVERTISSEMENTS dans la section <i>Sécurité de l'utilisateur</i> .

REMARQUE : Pour tous les autres problèmes, contacter un fournisseur de services autorisé.

Spécifications

Marque du moteur	Briggs & Stratton
Série de modèles du moteur	Série Neige
Type de moteur	4 temps
Système de démarrage	Lanceur à rappel et Démarrage électrique 110V Ensemble 1-2-3 Start (si équipé)
Capacité d'huile	0,59 L (20 oz)
Capacité du réservoir d'essence	3,0 litres (3,2 pintes)
Écartement des électrodes	0,76 mm (0,030 po)
Couple Bougie d'allumage	20 Nm (180 po-lb)

Le dispositif d'allumage par étincelle sur cette souffleuse à neige est conforme à la norme canadienne ICES-002.

Puissance nominale

Les valeurs brutes de puissance nominale de chaque modèle de moteur à essence sont indiquées conformément au code J1940 Procédure d'évaluation de la puissance et du couple nominaux des petits moteurs de la SAE (Society of Automotive Engineers) et sont évaluées conformément à SAE J1995. Les valeurs de couple sont dérivées à 2 600 tr/min pour les moteurs avec « tr/min » sur l'étiquette et 3 060 tr/min pour tous les autres; les valeurs de puissance sont dérivées à 3 600 tr/min. Les courbes de puissance brute peuvent être consultées au www.BRIGGSandSTRATTON.COM. Les valeurs nettes de puissance sont prises alors que l'échappement et le filtre à air sont installés alors que les valeurs brutes de puissance sont mesurées sans ces accessoires. La puissance brute réelle du moteur sera supérieure à la puissance nette du moteur et sera affectée, entre autres, par les conditions de fonctionnement ambiantes ainsi que par les différences entre moteurs. Étant donné la vaste gamme de produits sur lesquels les moteurs sont installés, le moteur à essence peut ne pas développer la puissance nominale brute lorsqu'il est utilisé pour entraîner une pièce d'appareil donnée. Cette différence est causée par différents facteurs dont, mais sans s'y limiter, la variété des composants du moteur (filtre à air, échappement, chargement, refroidissement, carburateur, pompe à essence, etc.), les limites de l'appareil, les conditions de fonctionnement ambiantes (température, humidité, altitude) et les différences entre les moteurs. En raison des limites de fabrication et de capacité, Briggs & Stratton peut substituer à ce moteur, un moteur d'une valeur de puissance plus élevée.

