



OPERATOR'S MANUAL

MANUEL D'UTILISATION
MANUAL DEL OPERADOR

18 VOLT POLE SAW

SCIE DE MANCHE 18 V

SIERRA DE PÉRTIGA DE 18 V

P4360

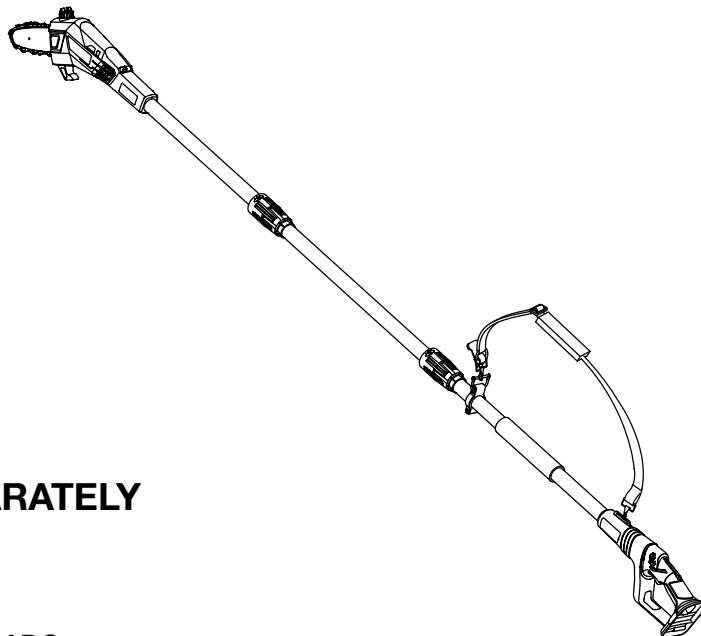
**ACCEPTS ALL ONE+ BATTERY PACKS
BATTERIES AND CHARGERS SOLD SEPARATELY**

COMPATIBLE AVEC TOUS LE PILES ONE+
PILES ET CHARGEUR VENDUS SÉPARÉMENT

ACEPTA TODOS LOS PAQUETES DE BATERÍAS ONE+
LAS BATERÍAS Y EL CARGADOR SE VENDEN POR SEPARADO

ALL VERSIONS

TOUTES LES VERSIONS / TODAS LAS VERSIONES



Your pole saw has been engineered and manufactured to our high standard for dependability, ease of operation, and operator safety. When properly cared for, it will give you years of rugged, trouble-free performance.

⚠ WARNING: To reduce the risk of injury, the user must read and understand the operator's manual before using this product.

SAVE THIS MANUAL FOR FUTURE REFERENCE

Cette scie de manche a été conçu et fabriqué conformément à nos strictes normes de fiabilité, simplicité d'emploi et sécurité d'utilisation. Correctement entretenu, cet outil vous donnera des années de fonctionnement robuste et sans problème.

⚠ AVERTISSEMENT : Pour réduire les risques de blessures, l'utilisateur doit lire et veiller à bien comprendre le manuel d'utilisation avant d'employer ce produit.

Su sierra de pértiga ha sido diseñado y fabricado de conformidad con nuestras estrictas normas para brindar fiabilidad, facilidad de uso y seguridad para el operador. Con el debido cuidado, le brindará muchos años de sólido funcionamiento y sin problemas.

⚠ ADVERTENCIA: Para reducir el riesgo de lesiones, el usuario debe leer y comprender el manual del operador antes de usar este producto.

**CONSERVER CE MANUEL POUR
FUTURE RÉFÉRENCE**

**GUARDE ESTE MANUAL PARA
FUTURAS CONSULTAS**

TABLE OF CONTENTS

TABLE DES MATIÈRES / ÍNDICE DE CONTENIDO

■ Introduction	2
Introduction / Introducción	
■ Important Safety Instructions	3-4
Instructions importantes concernant la sécurité / Instrucciones de seguridad importantes	
■ Specific Safety Rules	4-5
Règles de sécurité particulières / Reglas de seguridad específicas	
■ Symbols	6-7
Symboles / Símbolos	
■ Features.....	8-9
Caractéristiques / Características	
■ Assembly.....	9-11
Assemblage / Armado	
■ Operation.....	11-14
Utilisation / Funcionamiento	
■ Maintenance.....	15-19
Entretien / Mantenimiento	
■ Troubleshooting.....	19
Dépannage / Corrección de problemas	
■ Warranty	20
Garantie / Garantía	
■ Parts Ordering and Service	Back Page
Commande de pièces et réparation / Pedidos de piezas y servicio	Page arrière / Pág. posterior

INTRODUCTION

INTRODUCCIÓN

This product has many features for making its use more pleasant and enjoyable. Safety, performance, and dependability have been given top priority in the design of this product making it easy to maintain and operate.

* * *

Ce produit offre de nombreuses fonctions destinées à rendre son utilisation plus plaisante et satisfaisante. Lors de la conception de ce produit, l'accent a été mis sur la sécurité, les performances et la fiabilité, afin d'en faire un outil facile à utiliser et à entretenir.

* * *

Este producto ofrece numerosas características para hacer más agradable y placentero su uso. En el diseño de este producto se ha conferido prioridad a la seguridad, el desempeño y la fiabilidad, por lo cual se facilita su manejo y mantenimiento.

IMPORTANT SAFETY INSTRUCTIONS

WARNING:

Read and understand all instructions. Failure to follow all instructions listed below may result in electric shock, fire, and/or serious personal injury.

READ ALL INSTRUCTIONS

- For safe operation, read and understand all instructions before using this product. Be familiar with all controls and proper use of the machine. Follow all safety instructions. Failure to follow all safety instructions listed below, can result in serious personal injury.
- Do not allow children or untrained individuals to use this unit.
- Thoroughly inspect the area where the equipment is to be used and remove all foreign objects.
- Wear eye protection with side shields, which is marked to comply with ANSI Z87.1, along with head protection when operating this equipment.
- Dress Properly — Wear heavy long pants, long sleeves, boots, and gloves. Do not wear loose fitting clothing, short pants, sandals, or go bare-foot. Do not wear jewelry of any kind.
- Secure long hair above shoulder level to prevent entanglement in moving parts.
- Keep Children Away — Keep all bystanders, children, and pets at least 50 ft. away.
- Stay Alert — Watch what you are doing; use common sense. Do not operate this unit when you are tired, ill, upset, or under the influence of alcohol, drugs, or medication.
- Do not operate in poor lighting.
- Use Safety Glasses — Always use face or dust mask if operation is dusty.
- Disconnect Appliance — Remove battery from appliance when not in use, before servicing, when changing accessories such as bar chain.
- Don't Overreach — Keep proper footing and balance at all times. Overreaching can result in loss of balance or exposure to hot surfaces.
- Keep all parts of your body away from any moving part.
- Inspect the unit before each use for loose fasteners, etc. Replace any damaged parts before use.
- When not in use, product should be stored indoors in a dry, locked up place — out of the reach of children.
- Use only original manufacturer's replacement parts. Failure to do so may cause poor performance, possible injury, and will void your warranty.
- Do not, under any circumstance, use any attachment or accessory on this product which was not provided with the product or identified as appropriate for use with this product in the operator's manual.
- Avoid Dangerous Environments — Do not use the product in damp or wet locations. Do not use in rain.
- Use the Right Appliance — Do not use the product for any job except that for which it is intended.
- Do not operate from steps, a ladder, rooftop, tree, or unstable support. Stable footing on a solid surface enables better control of the product in unexpected situations.
- Do not force the product. It will do the job better and with less likelihood of a risk of injury at the rate for which it was designed.
- **DANGER** — Keep hands away from cutting area. Keep both hands on handles when power is on.
- **CAUTION** — Blade coasts after being turned off.
- Do not grasp the exposed cutting blades or cutting edges when picking up or holding the product.

IMPORTANT SAFETY INSTRUCTIONS

- **Check Damaged Parts** — Before further use of the product, a guard or other part that is damaged should be carefully checked to determine that it will operate properly and perform its intended function. Check for alignment of moving parts, binding of moving parts, breakage of

parts, mounting, and any other condition that may affect its operation. A guard or other part that is damaged should be properly repaired or replaced by an authorized service center unless indicated elsewhere in this manual.

SPECIFIC SAFETY RULES

- **Kickback** is a dangerous reaction that can lead to serious injury. Kickback may occur when the moving chain contacts an object at the upper portion of the tip of the guide bar or when the wood closes in and pinches the chain in the cut. Contact at the upper portion of the tip of the guide bar can cause the chain to dig into the object and stop the chain for an instant. The result is a lightning-fast, reverse reaction which kicks the guide bar up and back toward the operator. If the chain is pinched along the top of the guide bar, the guide bar can be driven rapidly back toward the operator, which can cause loss of control and may result in serious injury. Do not rely exclusively upon the safety devices built into the product.

With a basic understanding of kickback, you can reduce or eliminate the element of surprise. Sudden surprise contributes to accidents.

- Use pole saw for cutting wood only. Do not use for cutting non-wood items.
- Make sure that the area in which you are cutting is free from obstructions. Do not let the nose of the guide bar contact a log, branch, fence, or any other obstruction while you are operating the unit. Have a planned retreat path.
- Cut only when visibility and light are adequate for you to see clearly.
- To protect yourself from electrocution, do not operate within 50 feet of overhead electrical lines.
- Before starting the motor, make sure the chain is not contacting any object.

- To protect yourself from falling branches, do not stand directly under the branch or limb being cut. This unit should not be held at an angle over 60° from ground level.
- Turn off the motor and make sure cutting attachment has stopped before setting unit down.
- Follow the sharpening and maintenance instructions for the saw chain.
- Use only the replacement guide bars and low kickback chains specified for the unit.
- Do not operate the saw with one hand! Serious injury to the operator, helpers, bystanders, or any combination of these persons may result from one hand operation. This saw is intended for two-handed use.
- Use extreme caution when cutting small-sized brush and saplings because slender material may catch the saw chain and be whipped toward you or pull you off balance.
- When cutting a limb that is under tension, be alert for spring back so that you will not be struck when the tension in the wood fibers is released.
- To avoid accidental starting, never carry the unit with the battery installed or with your finger on the switch trigger.
- **Maintain Product With Care** — Keep cutting edge sharp and clean for best performance and to reduce the risk of injury. Follow instructions for lubricating and changing accessories. Inspect the battery charger cord periodically, and if damaged, have it replaced or repaired by an authorized service dealer.
- Keep handles dry, clean, and free from oil and grease.











SPECIFIC SAFETY RULES

- Service on the product must be performed by qualified repair personnel only. Service or maintenance performed by unqualified personnel could result in injury to the user or damage to the product.
- Battery operated units do not have to be plugged into an electrical outlet; therefore, they are always in operating condition. Be aware of possible hazards even when unit is not operating.
- Remove the battery pack from the pole saw before cleaning, servicing, storing, removing material from the unit, changing accessories such as the bar and chain, or when not in use.
- A battery pack must be recharged only with the specified charger for the battery pack. A charger that may be suitable for one type of battery pack may create a risk of fire when used with another battery pack. Use battery pack only with charger listed.
- For use with 18V nickel-cadmium and 18 V lithium-ion battery packs, see tool/appliance/battery pack/charger correlation supplement 987000-432.
- To reduce the risk of explosion and possible injury, do not place battery units or their batteries near fire or heat.
- Do not open or mutilate the battery pack. Released electrolyte is corrosive and may cause damage to the eyes or skin. It may be toxic if swallowed.
- Do not charge appliance in rain, or in wet locations.
- Do not charge unit in a damp or wet location. Following this rule will reduce the risk of electric shock.
- Do not dispose of batteries in a fire. The cell may explode. Batteries should be recycled, consult your local waste authority for information regarding available recycling and/or disposal options.
- Exercise care in handling batteries in order not to short terminals. When battery pack is not in use, keep it away from other metal objects like: paper clips, coins, keys, nails, screws, or other small metal objects that can make a connection from one terminal to another. Shorting the battery pack terminals together may cause sparks, burns, or a fire.
- Save these instructions. Refer to them frequently and use them to instruct others who may use this product. If you loan someone this product, loan them these instructions also to prevent misuse of the product and possible injury.

SAVE THESE INSTRUCTIONS




SYMBOLS

Some of the following symbols may be used on this product. Please study them and learn their meaning. Proper interpretation of these symbols will allow you to operate the product better and safer.

SYMBOL	NAME	EXPLANATION
	Safety Alert Symbol	Indicates a potential personal injury hazard.
	Read Operator's Manual	To reduce the risk of injury, user must read and understand operator's manual before using this product.
	Wear Eye and Head Protection	Always wear eye protection with side shields marked to comply with ANSI Z87.1, along with head protection.
	Wet Conditions Alert	Do not expose to rain or use in damp locations.
	Gloves	Wear non-slip, heavy-duty protective gloves when handling the pole saw and the blade.
	Safety Footwear	Wear non-slip safety footwear when using this equipment.
	Keep Tool Away from Electrical Lines/Keep Bystanders Away	DANGER! Risk of electrocution! Keep tool 50 feet away from electrical lines. Keep all bystanders at least 50 ft. away.
	Electric Shock	Failure to use in dry conditions and to observe safe practices can result in electric shock.
	No Hands Symbol	Failure to keep your hands away from the blade will result in serious personal injury.
	Recycle Symbols	This product uses lithium-ion or nickel-cadmium batteries. Local, state or federal laws may prohibit disposal of batteries in ordinary trash. Consult your local waste authority for information regarding available recycling and/or disposal options.
V	Volts	Voltage
≡	Direct Current	Type or a characteristic of current

SYMBOLS

The following signal words and meanings are intended to explain the levels of risk associated with this product.

SYMBOL	SIGNAL	MEANING
	DANGER:	Indicates an imminently hazardous situation, which, if not avoided, will result in death or serious injury.
	WARNING:	Indicates a potentially hazardous situation, which, if not avoided, could result in death or serious injury.
	CAUTION:	Indicates a potentially hazardous situation, which, if not avoided, may result in minor or moderate injury.
	NOTICE:	(Without Safety Alert Symbol) Indicates important information not related to an injury hazard, such as a situation that may result in property damage.

FEATURES

PRODUCT SPECIFICATIONS

Motor.....	18 Volt DC
Bar Length.....	8 in.
Cutting Capacity.....	6 in.
Chain Pitch.....	3/8 in.
Chain Type.....	Low Profile Skip Tooth Narrow Kerf
Weight.....	8 lbs.

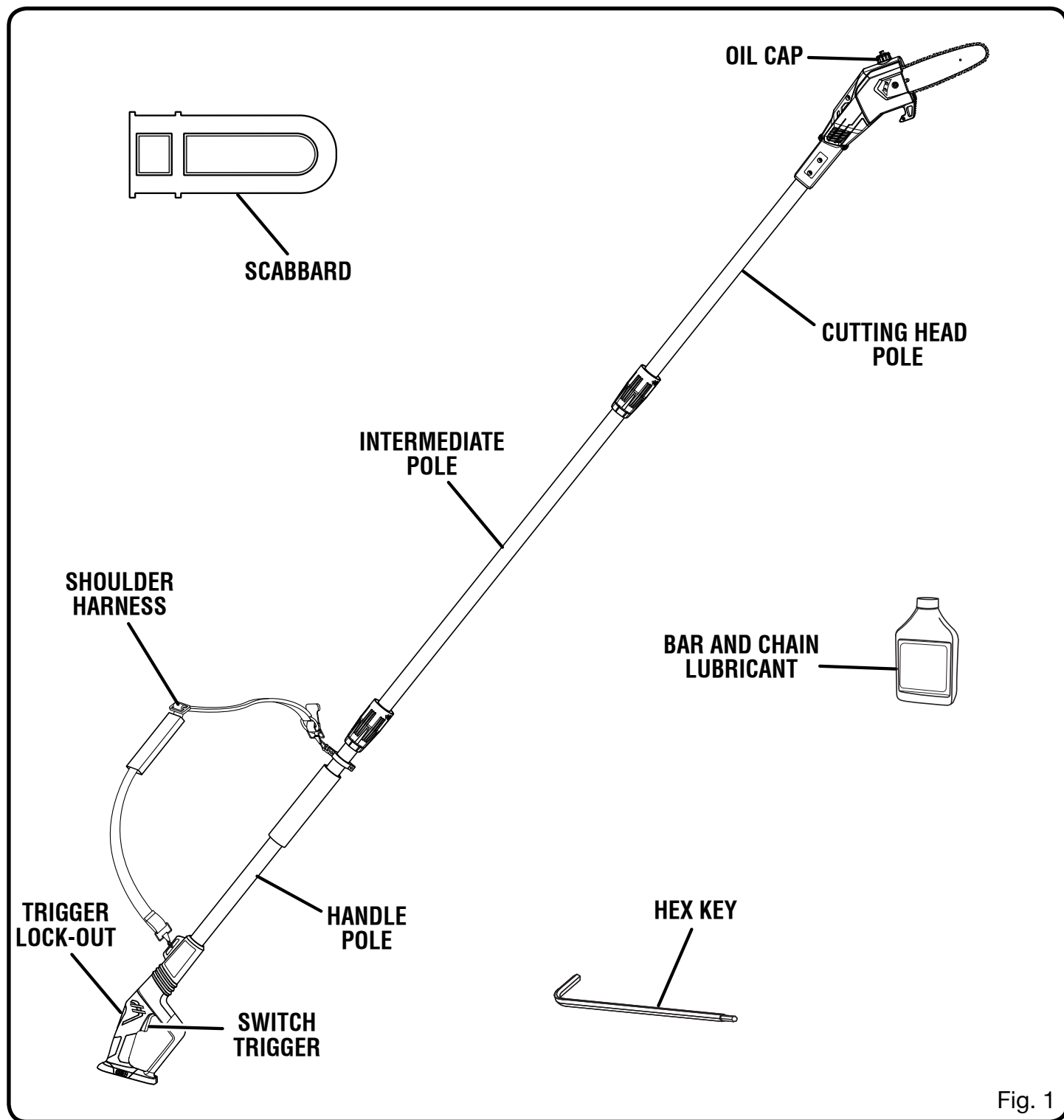


Fig. 1

FEATURES

KNOW YOUR POLE SAW

See Figure 1.

The safe use of this product requires an understanding of the information on the product and in this operator's manual as well as a knowledge of the project you are attempting. Before use of this product, familiarize yourself with all operating features and safety rules.

QUICK-VIEW OIL INDICATOR

Semi-transparent bar lube reservoir that allows user to see when to add lubricant.

SCABBARD

The scabbard keeps the operator from coming in contact with the sharp blades when the tool is not in use. It also helps keep the blades from being nicked or damaged when the tool is in storage.

TRIGGER LOCK-OUT

The trigger lock-out prevents unintentional starting of the pole saw.

ASSEMBLY

UNPACKING

This product requires assembly.

- Carefully remove the product and any accessories from the box. Make sure that all items listed in the packing list are included.

WARNING:

Do not use this product if any parts on the Packing List are already assembled to your product when you unpack it. Parts on this list are not assembled to the product by the manufacturer and require customer installation. Use of a product that may have been improperly assembled could result in serious personal injury.

- Inspect the product carefully to make sure no breakage or damage occurred during shipping.
- Do not discard the packing material until you have carefully inspected and satisfactorily operated the product.
- If any parts are damaged or missing, please call 1-800-860-4050 for assistance.

PACKING LIST

Cutting Head Pole
Intermediate Pole
Handle Pole
Scabbard
Hex Key
Bar and Chain Lubricant
Shoulder Harness
Operator's Manual

WARNING:

If any parts are damaged or missing, do not operate this product until the parts are replaced. Use of this product with damaged or missing parts could result in serious personal injury.

WARNING:

Do not attempt to modify this product or create accessories not recommended for use with this product. Any such alteration or modification is misuse and could result in a hazardous condition leading to possible serious personal injury.

ASSEMBLY

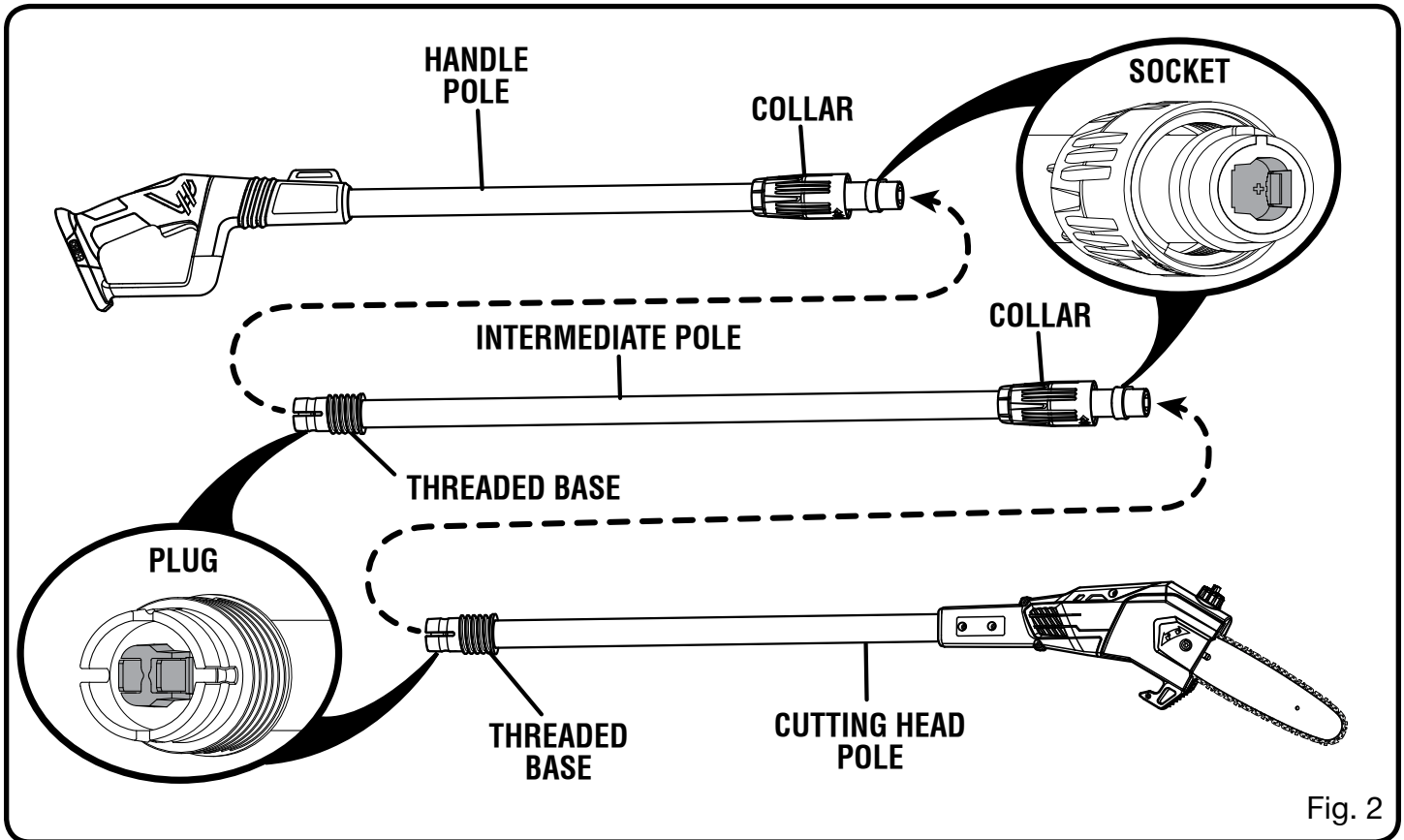


Fig. 2

⚠ WARNING:

To prevent accidental starting that could cause serious personal injury, always remove the battery pack from the product when assembling parts.

CONNECTING THE POLES

See Figure 2.

- Insert the plug on the intermediate pole into the socket on the handle pole and push together until fully seated. The plug is larger on one side and will only install one way.

- Lower the collar on the handle pole to the threaded base on the intermediate pole and rotate clockwise to secure.
- Repeat this process to attach the intermediate pole to the cutting head pole.

NOTE: When assembled correctly, handle pole and cutting head pole should not be able to separate from intermediate pole when pulled. Repeat above steps if poles can be separated from intermediate pole.

⚠ WARNING:

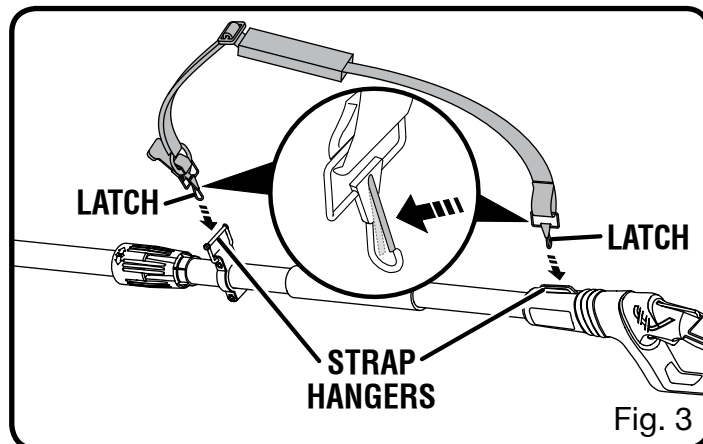
Failure to securely assemble and lock all poles together as directed above could cause the poles to separate and could result in serious personal injury or death.

ASSEMBLY

ATTACHING THE SHOULDER HARNESS

See Figure 3.

- Connect the latches on the shoulder harness to the strap hangers.
- Adjust the strap to a comfortable position.



OPERATION

⚠ DANGER:

Never cut near power lines, electric cords, or other electric sources. If bar and chain jams on any electrical cord or line, **DO NOT TOUCH THE BAR OR CHAIN! THEY CAN BECOME ELECTRICALLY LIVE AND VERY DANGEROUS.** Continue to hold the pole saw by the insulated rear handle or lay it down and away from you in a safe manner. Disconnect the electrical service to the damaged line or cord before attempting to free the bar and chain from the line or cord. Contact with the bar, chain, other conductive parts of the pole saw, or live electric cords or lines will result in death by electrocution or serious injury.

⚠ WARNING:

Do not allow familiarity with this product to make you careless. Remember that a careless fraction of a second is sufficient to inflict serious injury.

⚠ WARNING:

Always wear eye protection with side shields marked to comply with ANSI Z87.1, along with head protection. Failure to do so could result in objects being thrown into your eyes and other possible serious injuries.

⚠ WARNING:

Do not use any attachments or accessories not recommended by the manufacturer of this product. The use of attachments or accessories not recommended can result in serious personal injury.

Before each use, inspect the entire product for damaged, missing, or loose parts such as screws, nuts, bolts, caps, etc. Tighten securely all fasteners and caps and do not operate this product until all missing or damaged parts are replaced. Please call 1-800-860-4050 or contact an authorized service center for assistance.

APPLICATIONS

You may use this product for the purposes listed below:

- Limbing
- Pruning

OPERATION

ADDING BAR AND CHAIN LUBRICANT

See Figure 4.

Use Bar and Chain Lubricant. It is designed for chains and chain oilers, and is formulated to perform over a wide temperature range with no dilution required.

NOTE: Pole saw comes from the factory with no bar and chain lubricant added. Level should also be checked after every 20 minutes of use and refilled as needed.

- Remove oil cap.
- Carefully pour the bar and chain lubricant into the bar lube reservoir.
- Wipe off excess oil.
- Check and fill the reservoir when quick view oil indicator is below the second to last indicator line.
- Repeat as needed.

NOTE: Do not use dirty, used or otherwise contaminated oils. Damage may occur to the bar or chain.

NOTE: It is normal for oil to seep from the saw when not in use. To prevent seepage, empty the oil tank after each use then run for one minute. When storing the unit for a long period of time (three months or longer) be sure the chain is lightly lubricated; this will prevent rust on the chain and bar sprocket.

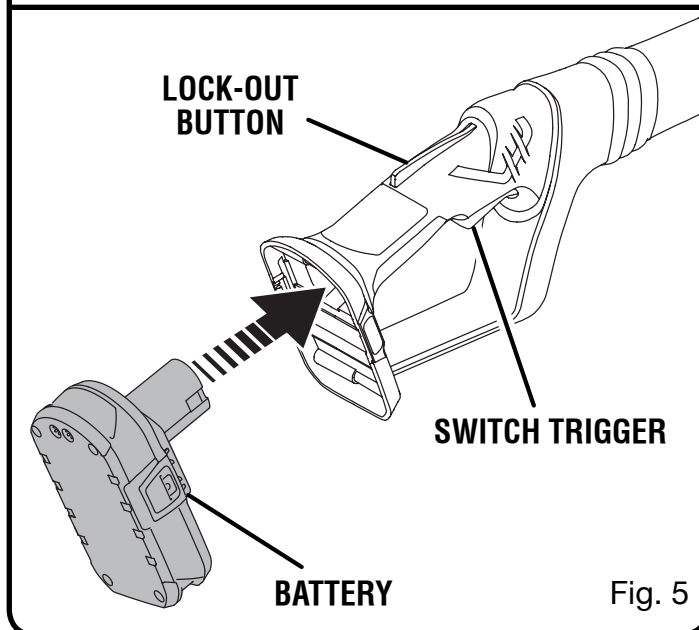
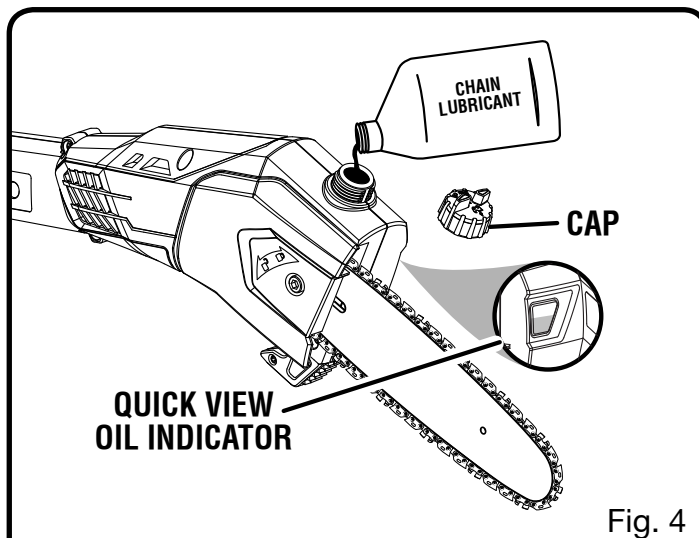
TO INSTALL / REMOVE BATTERY PACK

See Figure 5.

⚠ WARNING:

Always remove battery pack from your tool when you are assembling parts, making adjustments, cleaning, carrying, transporting or when not in use. Removing battery pack will prevent accidental starting that could cause serious personal injury.

NOTE: To avoid serious personal injury, always remove the battery pack and keep hands clear of the lock-out button when carrying or transporting the tool.



To install:

- Place the battery pack in the pole saw. Align raised rib on battery pack with groove in battery port.
- Make sure the latches on each side of the battery pack snap in place and battery pack is secured in pole saw before beginning operation.

To remove:

Locate latches on side of battery pack and depress both sides to release the battery pack from the pole saw.

OPERATION

STARTING AND STOPPING

See Figure 5 - 6.

To start the motor:

- Hold the pole saw as shown and ensure that you are well away from anything that may contact the blade.
- Press and hold the trigger lock-out.
- Depress the switch trigger.

To stop the motor:

- Release the trigger to stop the pole saw. Upon release of the trigger, the trigger lock will automatically reset to the locked position.

PREPARATION FOR CUTTING

See Figures 7 - 8.

- Wear non-slip gloves for maximum grip and protection.
- Maintain a proper grip on the unit whenever the motor is running. Use your right hand to firmly grip the rear handle while your left hand has a firm grip on the pole shaft.
- Hold unit firmly with both hands. Always keep your left hand on the pole shaft and your right hand on the rear handle, so your body is to the left of the chain line. Never use a left-handed (cross-handed) grip, or any stance that places your body or arm across the chain line.
- Never stand directly under the limb you are cutting.
- Be certain the collars are fully tightened before operating equipment; check them periodically for tightness during use to avoid serious injury.

BASIC CUTTING PROCEDURE

Follow the steps below to prevent damage to tree or shrub bark. Do not use a back-and-forth sawing motion.

- Make a shallow first cut (1/4 of limb diameter) on the underside of the limb close to the main limb or trunk.
- Make a second cut from the top side of the limb outboard from the first cut. Continue the cut through the limb until the limb separates from the tree. Be prepared to balance the weight of the tool when the limb falls.

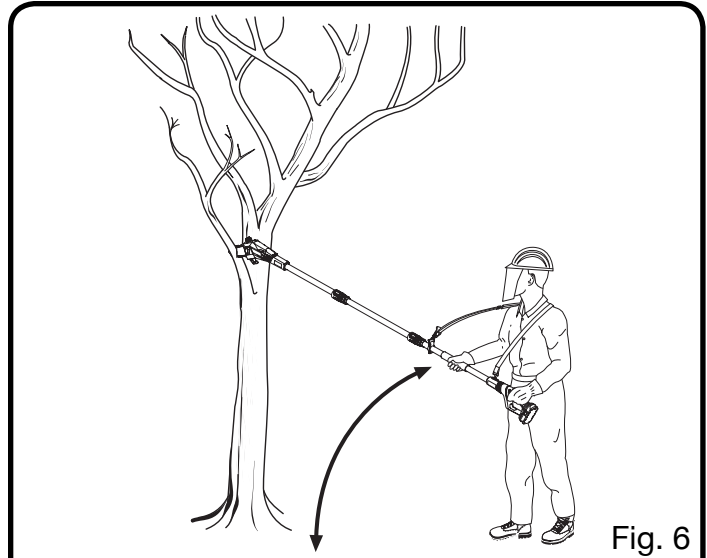


Fig. 6

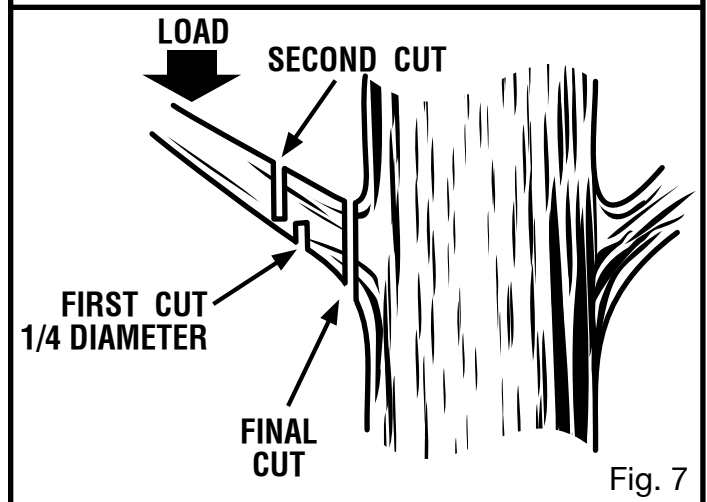


Fig. 7

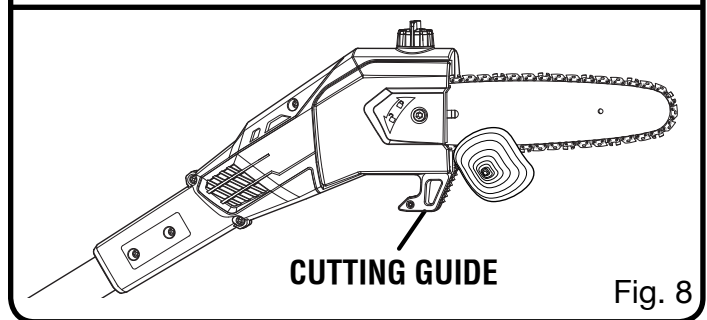


Fig. 8

- Make a final cut close to trunk.

NOTE: For second and final cuts (from top of limb or branch), hold front cutting guide against the limb being cut. This will help steady the limb and make it easier to cut. Allow chain to cut for you; exert only light downward pressure. If you force the cut, damage to the bar, chain, or motor can result.

- Release the trigger as soon as the cut is completed.

OPERATION

Failure to follow proper cutting procedures will result in the bar and chain binding and becoming pinched or trapped in the limb. If this should happen:

- Stop the motor and remove the battery pack.
- If the limb can be reached from the ground, lift the limb while holding the saw. This should release the “pinch” and free the saw.
- If the saw is still trapped, call a professional for assistance.

LIMBING AND PRUNING

See Figures 9 - 10.

This unit is designed for trimming small branches and limbs up to 6 in. in diameter. For best results, observe the following precautions.

- Plan the cut carefully. Be aware of the direction in which the branch will fall.
- Branches may fall in unexpected directions. Do not stand directly under the branch being cut.
- The most typical cutting application is to position the unit at an angle of 60° or less, depending on the specific situation, as shown. As the angle of the pole saw shaft to ground increases, the difficulty of making the first cut (from the underside of limb) increases.
- Remove long branches in several stages.
- Cut lower branches first to allow the top branches more room to fall.
- Work slowly, keeping both hands on the saw with a firm grip. Maintain secure footing and balance.
- Keep the tree between you and the chain while limbing. Cut from side of tree opposite branch you are cutting.
- Do not cut from a ladder; this is extremely dangerous. Leave this operation for professionals.

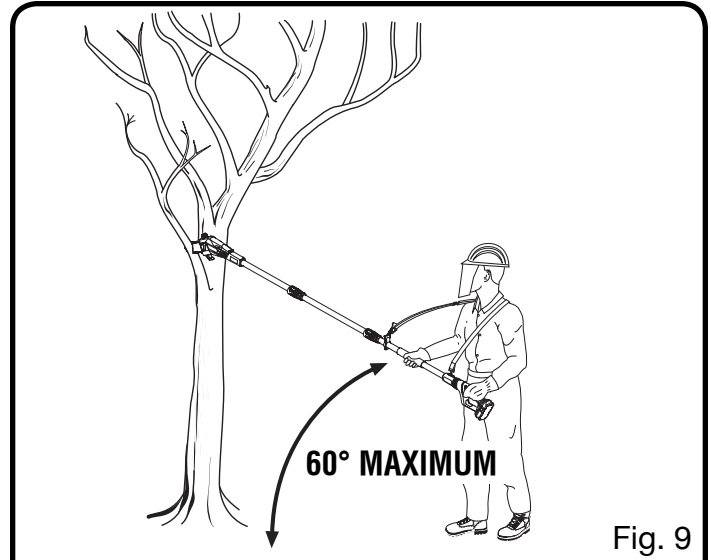


Fig. 9

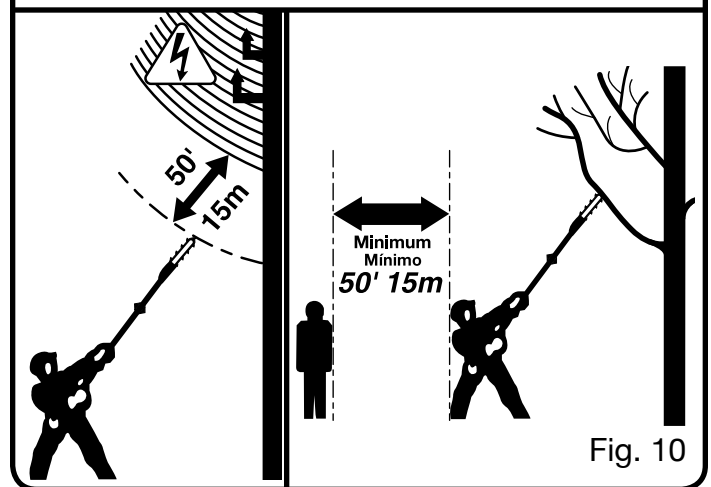


Fig. 10

- Do not make the flush cut next to the main limb or trunk until you have cut off the limb further out to reduce the weight. Following proper cutting procedures will prevent stripping the bark from the main member.
- Do not use the pole saw for felling or bucking.
- To prevent electrocution, do not operate within 50 ft. of overhead electrical lines.
- Keep bystanders at least 50 ft. away.

MAINTENANCE

⚠ WARNING:

When servicing, use only identical replacement parts. Use of any other parts could create a hazard or cause product damage.

⚠ WARNING:

Always wear eye protection with side shields marked to comply with ANSI Z87.1, along with head protection. Failure to do so could result in objects being thrown into your eyes and other possible serious injuries.

⚠ WARNING:

Before inspecting, cleaning, or servicing the unit, stop the motor, wait for all moving parts to stop, and remove the battery pack. Failure to follow these instructions can result in serious personal injury or property damage.

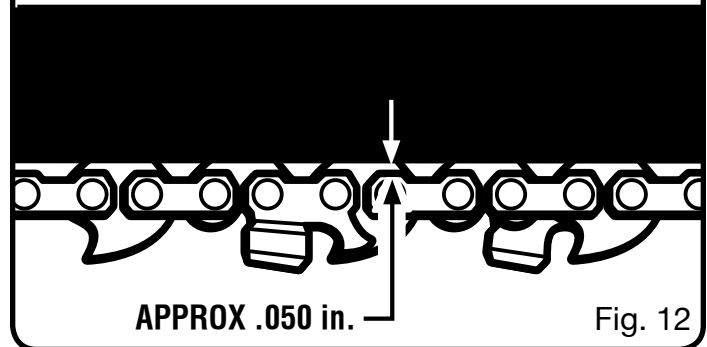
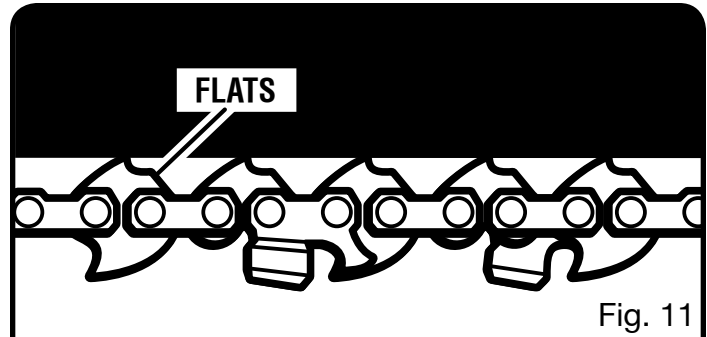
GENERAL MAINTENANCE

Avoid using solvents when cleaning plastic parts. Most plastics are susceptible to damage from various types of commercial solvents and may be damaged by their use. Use clean cloths to remove dirt, dust, oil, grease, etc.

⚠ WARNING:

Do not at any time let brake fluids, gasoline, petroleum-based products, penetrating oils, etc., come in contact with plastic parts. Chemicals can damage, weaken, or destroy plastic, which could result in serious personal injury.

All pole saw service, other than the items listed in these maintenance instructions, should be performed by competent pole saw service personnel. (For example, if improper tool is used to hold the flywheel in order to remove the clutch, structural damage to the flywheel could occur and subsequently could cause the flywheel to burst).



CHAIN TENSION

See Figures 11 - 12.

⚠ WARNING:

To avoid possible serious injury, never touch or adjust the chain while the motor is running. The saw chain is very sharp; always wear protective gloves when performing maintenance to the chain.

- Stop the motor and remove the battery pack before setting the chain tension. Make sure the chain cover screw is loose to finger tight, turn the chain tensioning screw clockwise to tension the chain. Refer to **Replacing the Bar and Chain** for additional information.

NOTE: A cold chain is correctly tensioned when there is no slack on the underside of the guide bar, the chain is snug, but it can be turned by hand without binding.

- Chain must be re-tensioned whenever the flats on the drive links hang out of the bar groove as shown in fig. 11.
- During normal operation, the temperature of the chain will increase. The drive links of a correctly tensioned warm chain will hang approximately .050 in. out of the bar groove, as shown in fig. 12.

MAINTENANCE

NOTE: New chain tends to stretch; check chain tension frequently and tension as required.

NOTICE:

Chain tensioned while warm, can be too tight upon cooling. Check the “cold tension” before next use.

REPLACING THE BAR AND CHAIN

See Figures 13 - 16.

WARNING:

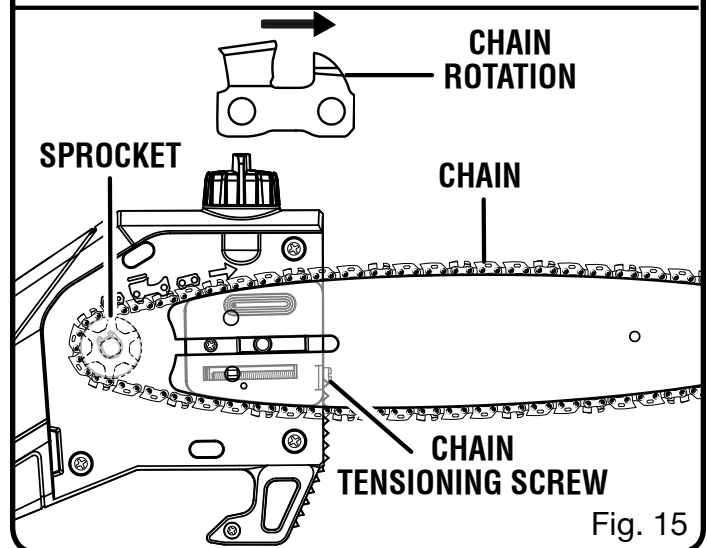
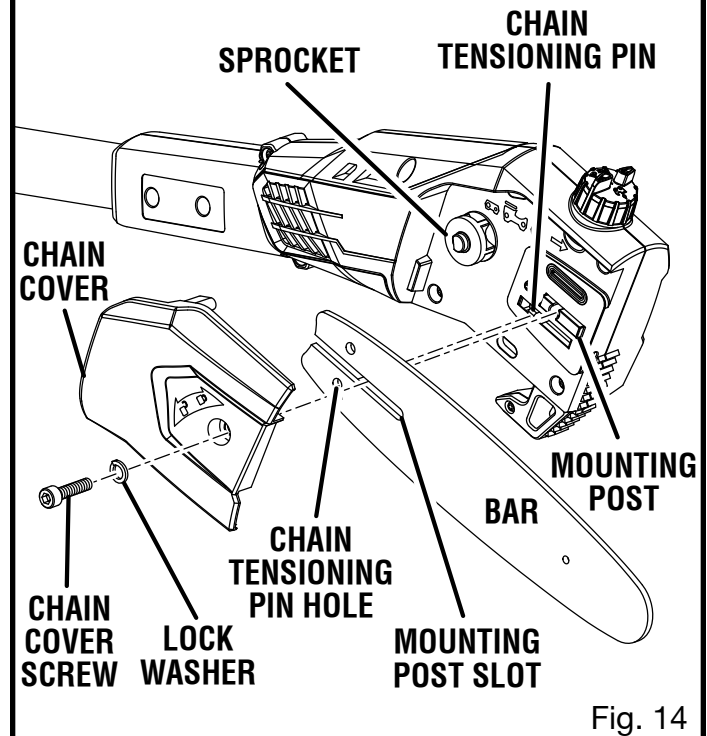
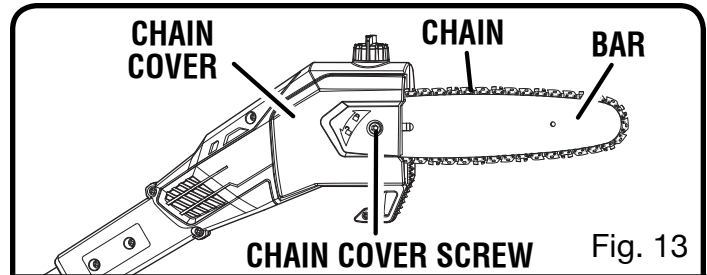
To avoid possible serious injury, stop the motor and remove the battery pack before replacing the bar, chain, or performing any maintenance operation.

- Using the hex key provided, remove the chain cover screw, washer, and chain cover from the chain saw.
- The bar contains a slot that fits over the mounting post. The bar also contains a chain tensioning pin hole which fits over the chain tensioning pin.
- Place the bar onto the mounting post so that the chain tensioning pin fits into the chain tensioning pin hole.

NOTE: If necessary, rotate the chain tensioning screw counterclockwise until the pin and hole can be aligned.

- Fit the chain over the sprocket and into the bar groove. The cutters on the top of the bar should face toward the bar tip, in the direction of the chain rotation.
- Replace the chain cover and reinstall the washer and screw. Tighten the screw finger tight only. The bar must be free to move for tension adjustment.
- Remove all slack from chain by turning the chain tensioning screw clockwise, assuring that the chain seats into the bar groove during tensioning.
- Tighten the chain cover screw securely.

NOTE: Chain is correctly tensioned when there is no slack on the underside of the bar, the chain is snug, but it can be turned by hand without binding.



If chain is too tight, it will not rotate. Loosen the chain cover screw slightly and turn chain tensioning screw 1/4 turn counterclockwise. Retighten chain cover screw securely.

MAINTENANCE

CHAIN OILER

See Figure 17.

- Use Premium Bar and Chain Lubricant. It is designed for chains and chain oilers and is formulated to perform over a wide temperature range with no dilution required.
- Remove the cap and carefully pour approximately 2 oz. of bar and chain lubricant into the bar lube reservoir.
- Replace the cap and tighten securely.
- Check and refill the bar lube reservoir every time the pole saw is used.

NOTE: Do not use dirty, used, or otherwise contaminated lubricants. Damage may occur to the oil pump, bar, or chain.

CHAIN MAINTENANCE

See Figure 18.

For smooth and fast cutting, the chain needs to be maintained properly. The following conditions indicate that the chain requires sharpening:

- Wood chips are small and powdery
- Chain must be forced through the wood during cutting
- Chain cuts to one side

During maintenance of the chain, consider the following:

- Improper filing angle of the side plate can increase the risk of a severe kickback.
- Depth gauge (or raker clearance) setting determines the height the cutter enters the wood and the size of the wood chip that is removed. Too much clearance increases the potential for kickback. Too little clearance decreases the size of the wood chip thus decreasing the chain's cutting ability.
- If cutter teeth have hit hard objects such as nails and stones, or have been abraded by mud or sand on the wood, have service dealer sharpen chain.

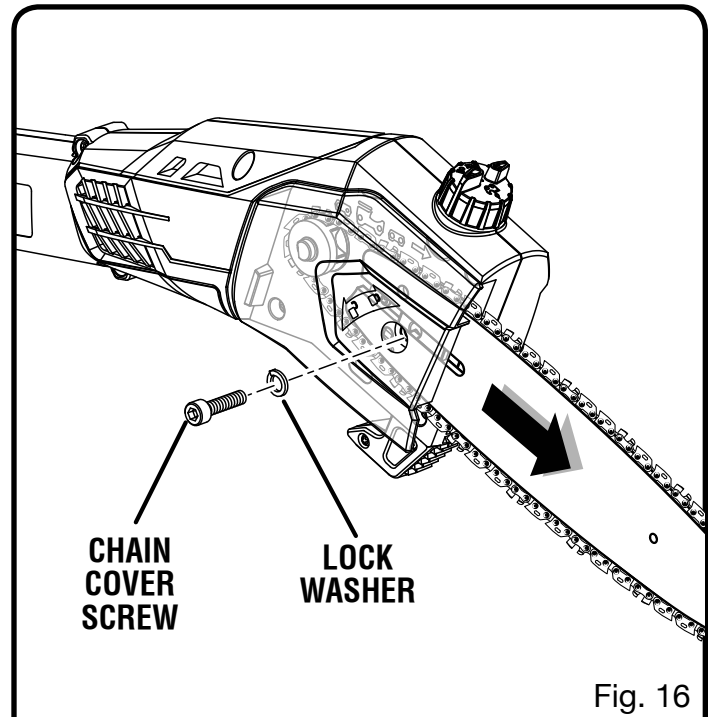


Fig. 16

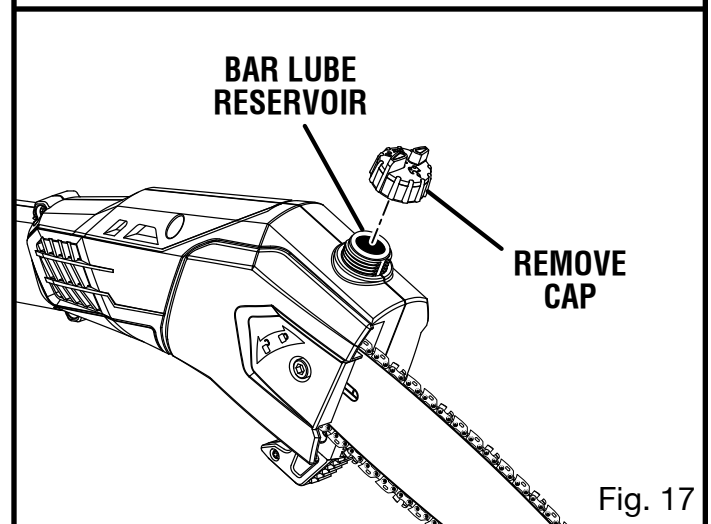


Fig. 17

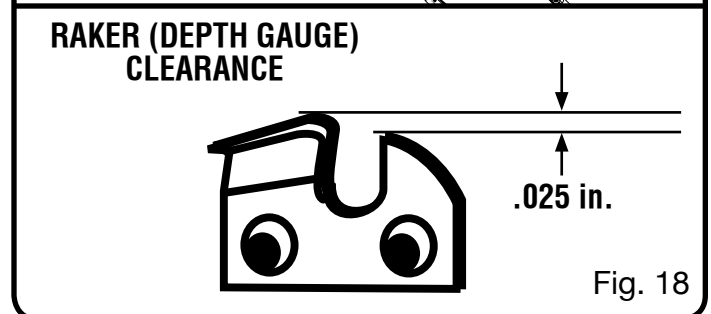


Fig. 18

MAINTENANCE

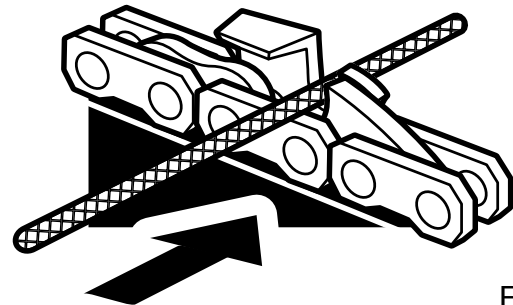
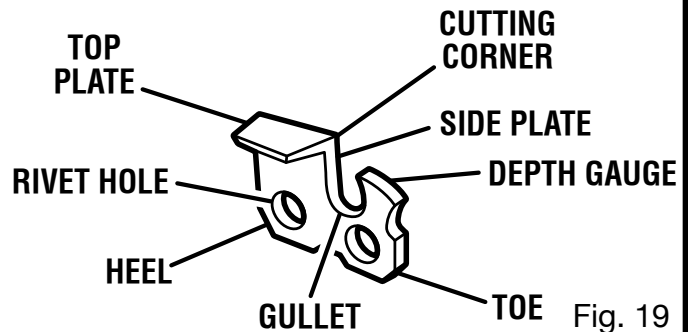
HOW TO SHARPEN THE CUTTERS

See Figures 19 - 22.

Be careful to file all cutters to the specified angles and to the same length, as fast cutting can be obtained only when all cutters are uniform.

- Tighten the chain tension enough that the chain does not wobble. Do all of your filing at the mid-point of the bar. Wear gloves for protection.
- Use a 5/32 in. diameter round file and holder.
- Keep the file level with the top plate of the tooth. Do not let the file dip or rock.
- Using light but firm pressure, stroke towards the front corner of the tooth. Lift file away from the steel on each return stroke.
- Put a few firm strokes on every tooth. File all left hand cutters in one direction. Then move to the other side and file the right hand cutters in the opposite direction. Occasionally remove filings from the file with a wire brush.

PARTS OF A CUTTER

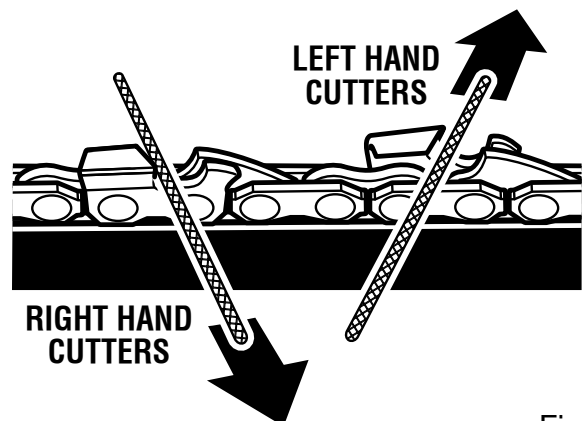
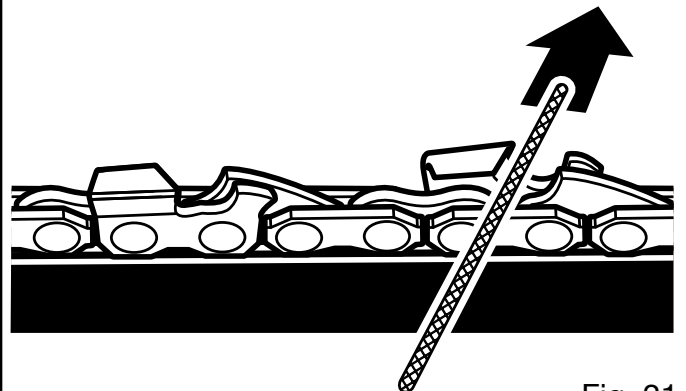


NOTICE:

Dull or improperly sharpened chain can cause excessive motor speed during cutting which may result in severe motor damage.

⚠ WARNING:

Improper chain sharpening increases the potential of kickback. Failure to replace or repair damaged chain can cause serious injury.



MAINTENANCE

STORING THE PRODUCT

See Figure 23.

- Clean all foreign material from the product. Store idle unit indoors in a dry, well-ventilated area that is inaccessible to children. Keep away from corrosive agents such as garden chemicals and de-icing salts.
- Always place the scabbard on the saw bar when transporting or storing the pole saw. The scabbard is a snug fit and must be attached very carefully due to the sharp teeth on the saw chain. This is best done by grasping the scabbard at one end, in the center portion of the scabbard, and carefully sliding it over the chain as shown. Use caution to avoid the sharp teeth of the chain.

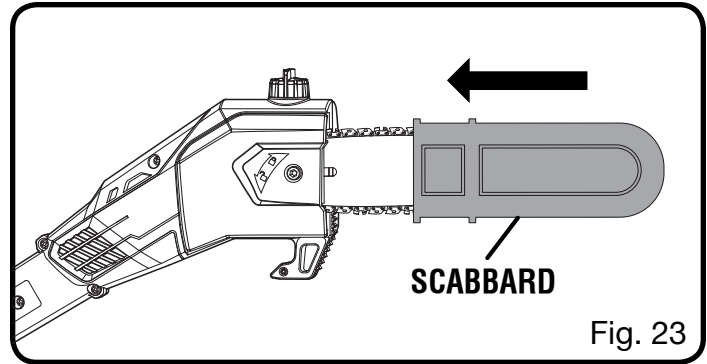


Fig. 23

NOTE: The saw chain is very sharp. Always wear protective gloves when handling the chain.

TROUBLESHOOTING

PROBLEM	CAUSE	REMEDY
Bar and chain running hot and smoking.	Check chain tension for overtightened condition Bar lube reservoir empty	Tension chain. Refer to Chain Tension earlier in this manual. Check bar lube reservoir.
Motor runs, but chain is not rotating.	Chain tension too tight. Check guide bar and chain assembly. Check guide bar and chain for damage.	Retention chain. Refer to Chain Tension earlier in this manual. Refer to Replacing the Bar and Chain earlier in this manual. Inspect guide bar and chain for damage.



CALL US FIRST

For any questions about operating or maintaining your product, call the Ryobi® Help Line!

Your product has been fully tested prior to shipment to ensure your complete satisfaction.

WARRANTY

LIMITED WARRANTY STATEMENT

Techtronic Industries North America, Inc., warrants to the original retail purchaser that this RYOBI® brand outdoor product is free from defect in material and workmanship and agrees to repair or replace, at Techtronic Industries North America, Inc.'s, discretion, any defective product free of charge within these time periods from the date of purchase.

- Three years if the product is used for personal, family or household use;
- 90 days, if used for any other purpose, such as commercial or rental.

This warranty extends to the original retail purchaser only and commences on the date of the original retail purchase.

Any part of this product found in the reasonable judgment of Techtronic Industries North America, Inc. to be defective in material or workmanship will be repaired or replaced without charge for parts and labor by an authorized service center for RYOBI® brand outdoor products (Authorized Ryobi Service Center).

The product, including any defective part, must be returned to an authorized Ryobi service center within the warranty period. The expense of delivering the product to the service center for warranty work and the expense of returning it back to the owner after repair or replacement will be paid by the owner. Techtronic Industries North America, Inc.'s, responsibility in respect to claims is limited to making the required repairs or replacements and no claim of breach of warranty shall be cause for cancellation or rescission of the contract of sale of any RYOBI® brand outdoor product. Proof of purchase will be required by the dealer to substantiate any warranty claim. All warranty work must be performed by an authorized service dealer.

This warranty is limited to ninety (90) days from the date of original retail purchase for any RYOBI® brand outdoor product that is used for rental or commercial purposes, or any other income-producing purpose.

This warranty does not cover any product that has been subject to misuse, neglect, negligence, or accident, or that has been operated in any way contrary to the operating instructions as specified in this operator's manual. This warranty does not apply to any damage to the product that is the result of improper maintenance or to any product that has been altered or modified. The warranty does not extend to repairs made necessary by normal wear or by the use of parts or accessories which are either incompatible with the RYOBI® brand outdoor product or adversely affect its operation, performance, or durability. In addition, this warranty does not cover:

- A. Tune-ups – Spark Plugs, Carburetor, Carburetor Adjustments, Ignition, Filters
- B. Wear items – Bump Knobs, Outer Spools, Cutting Lines, Inner Reels, Starter Pulleys, Starter Ropes, Drive Belts, Tines, Felt Washers, Hitch Pins, Mulching Blades, Blower Fans, Blower and Vacuum Tubes, Vacuum Bag and Straps, Guide Bars, Saw Chains

Techtronic Industries North America, Inc., reserves the right to change or improve the design of any RYOBI® brand outdoor product without assuming any obligation to modify any product previously manufactured.

ALL IMPLIED WARRANTIES ARE LIMITED IN DURATION TO THE STATED WARRANTY PERIOD. ACCORDINGLY, ANY SUCH IMPLIED WARRANTIES INCLUDING MERCHANTABILITY, FITNESS FOR A PARTICULAR PURPOSE, OR OTHERWISE, ARE DISCLAIMED IN THEIR ENTIRETY AFTER THE EXPIRATION OF THE APPROPRIATE THREE-YEAR OR NINETY-DAY WARRANTY PERIOD. TECHTRONIC INDUSTRIES NORTH AMERICA, INC.'S, OBLIGATION UNDER THIS WARRANTY IS STRICTLY AND EXCLUSIVELY LIMITED TO THE REPAIR OR REPLACEMENT OF DEFECTIVE PARTS AND TECHTRONIC INDUSTRIES NORTH AMERICA, INC., DOES NOT ASSUME OR AUTHORIZE ANYONE TO ASSUME FOR THEM ANY OTHER OBLIGATION. SOME STATES DO NOT ALLOW LIMITATIONS ON HOW LONG AN IMPLIED WARRANTY LASTS, SO THE ABOVE LIMITATION MAY NOT APPLY TO YOU. TECHTRONIC INDUSTRIES NORTH AMERICA, INC., ASSUMES NO RESPONSIBILITY FOR INCIDENTAL, CONSEQUENTIAL, OR OTHER DAMAGES INCLUDING, BUT NOT LIMITED TO, EXPENSE OF RETURNING THE PRODUCT TO AN AUTHORIZED RYOBI SERVICE CENTER AND EXPENSE OF DELIVERING IT BACK TO THE OWNER, MECHANIC'S TRAVEL TIME, TELEPHONE OR TELEGRAM CHARGES, RENTAL OF A LIKE PRODUCT DURING THE TIME WARRANTY SERVICE IS BEING PERFORMED, TRAVEL, LOSS OR DAMAGE TO PERSONAL PROPERTY, LOSS OF REVENUE, LOSS OF USE OF THE PRODUCT, LOSS OF TIME, OR INCONVENIENCE. SOME STATES DO NOT ALLOW THE EXCLUSION OR LIMITATION OF INCIDENTAL OR CONSEQUENTIAL DAMAGES, SO THE ABOVE LIMITATION OR EXCLUSION MAY NOT APPLY TO YOU.

This warranty gives you specific legal rights, and you may also have other rights which vary from state to state.

This warranty applies to all RYOBI® brand outdoor products manufactured by or for Techtronic Industries North America, Inc., and sold in the United States and Canada.

To locate your nearest Authorized Ryobi Service Center, dial 1-800-860-4050.

INSTRUCTIONS IMPORTANTES CONCERNANT LA SÉCURITÉ

AVERTISSEMENT :

Lire et veiller à bien comprendre toutes les instructions. Le non-respect des instructions ci-dessous peut entraîner une électrocution, un incendie et des blessures graves.

LIRE TOUTES LES INSTRUCTIONS

- Pour travailler en toute sécurité, lire et veiller à bien comprendre toutes les instructions avant d'utiliser ce produit. Familiarisez-vous avec toutes les commandes et l'utilisation correcte de l'outil. Respecter toutes les instructions de sécurité. Le non respect des instructions de sécurité ci-dessous peut entraîner des blessures graves.
- Ne pas laisser des enfants ou personnes n'ayant pas reçu une formation adéquate utiliser cet outil.
- Inspecter soigneusement la zone de travail et retirer tout corps étranger.
- Porter une protection oculaire avec écrans latéraux certifiée conforme à la norme ANSI Z87.1, ainsi qu'une protection casque lors de l'utilisation de cet outil.
- Porter une tenue appropriée — Porter des pantalons longs, des manches longs, des chaussures et des gants épais. Ne pas porter de vêtements amples, bijoux, shorts, sandales et ne pas travailler pieds nus. Ne porter aucun bijou.
- Attacher les cheveux longs pour les maintenir au-dessus des épaules, afin qu'ils ne se prennent pas dans les pièces en mouvement.
- Tenir à l'écart des enfants — Garder les badauds, enfants et animaux à une distance de 15 m (50 pi) minimum.
- Rester attentif — Prêter attention au travail et faire preuve de bon sens. Ne pas utiliser ce taille-bordures en état de fatigue, si l'on est souffrant, contrarié ou sous l'influence de l'alcool, de drogues ou de médicaments.
- Ne pas travailler sous un éclairage insuffisant.
- Porter des lunettes de sécurité — Toujours porter un masque facial ou un masque anti-poussière si le travail produit de la poussière.
- Débrancher l'appareil — Retirer la batterie de appareils lorsque l'outil n'est pas en usage, avant son entretien ou lors du remplacement d'accessoires tels que le guide chaîne.
- Ne pas travailler hors de portée — Toujours se tenir bien campé et en équilibre. Le travail hors de portée risque de faire perdre l'équilibre ou de causer un contact avec les pièces brûlantes.
- Garder toutes les parties du corps à l'écart des pièces en mouvement.
- Inspecter l'outil avant chaque utilisation pour s'assurer qu'il n'y a pas de pièces desserrées, etc. Remplacer les pièces endommagées avant utilisation.
- Quand la produit n'est pas utilisée, elle devrait être entreposée à l'intérieur, dans un endroit sec et sécuritaire - loin de la portée des enfants.
- Utiliser exclusivement des pièces de rechange d'origine. Toute dérogation peut entraîner un mauvais fonctionnement, des blessures graves et l'annulation de la garantie.
- N'utiliser en aucun cas un accessoire non fourni avec le produit, ou indiqué comme pouvant être utilisé sur l'outil dans le manuel d'utilisation.
- Éviter les environnements dangereux — Ne pas utiliser l'accessoire dans des endroits humides ou mouillés. Ne pas utiliser sous la pluie.
- Utilisez l'outil approprié — N'utilisez pas le produit pour aucune tâche sauf celle pour laquelle elle est conçue.
- Ne pas fonctionner l'outil sur des étapes, une échelle, un toit, un arbre, ou un support instable. Une position stable sur une surface ferme permet de mieux contrôler l'outil en cas de situation imprévue.
- Ne pas forcer le produit. Il sera plus efficace et présentera moins de risques de blessures s'il est utilisé dans les limites de ses spécifications.
- **DANGER** — Garder les mains à l'écart de la zone de coupe. Garder les deux mains sur les poignées lors de l'utilisation de l'appareil.
- **ATTENTION** — Les lames continuent de tourner en roue libre une fois que la scie est éteinte.

INSTRUCTIONS IMPORTANTES CONCERNANT LA SÉCURITÉ

- Ne pas tenir l'outil par les lames de coupe ou les tranchants de coupe exposés.
- Vérifier si les pièces sont endommagées — Avant de réutiliser le produit, vérifier attentivement que le dispositif de protection ou toute autre pièce n'est pas endommagé afin de s'assurer que l'outil fonctionnera comme prévu. Vérifier l'alignement et la fixation des pièces mobiles, l'état des

pièces, l'assemblage et toute autre condition qui peut avoir une incidence sur le fonctionnement du produit. Un dispositif de protection ou toute autre pièce qui est endommagé devrait être réparé ou remplacé dans un centre de service autorisé, à moins d'une indication contraire dans le présent manuel.

RÈGLES DE SÉCURITÉ PARTICULIÈRES

- Le rebond est une réaction dangereuse pouvant entraîner des blessures graves. Le rebond se produit lorsque la chaîne en rotation heurte un objet dans la partie supérieure de l'extrémité du guide ou lorsque l'entaille se referme et pince la chaîne dans le bois. Le contact de la partie supérieure de l'extrémité du guide peut faire plonger la chaîne dans le bois et la bloquer pendant un instant. Il en résulte une réaction fulgurante, projetant le guide vers le haut et l'arrière, en direction de l'utilisateur. Le pincement de la chaîne sur le haut du guide peut causer une projection violente de la lame en arrière, en direction de l'utilisateur, ce qui peut entraîner une perte de contrôle et des blessures graves. Ne pas compter exclusivement sur les dispositifs de sécurité intégrés au produit.
Une compréhension élémentaire du rebond peut réduire ou éliminer l'élément de surprise. Les surprises sont favorables aux accidents.
- La scie de manche ne doit être utilisée que pour couper du bois. Ne pas l'utiliser pour couper des matériaux autres que le bois.
- S'assurer que l'endroit où la scie est utilisée est dépourvu de tout obstacle. Ne pas laisser l'extrémité du guide entrer en contact avec une bille, une branche, une palissade ou tout autre obstacle risquant d'être heurté pendant le travail. Avoir un chemin planifié de retraite.
- Ne couper que lorsque la visibilité et la lumière permettent de voir clairement.
- Pour éviter les risques d'électrocution, ne pas travailler à moins de 15 mètres (50 pi) de lignes électriques.
- Avant de lancer le moteur, s'assurer que la chaîne n'est en contact avec aucun objet.
- Pour éviter les risques de blessures, ne pas se tenir directement au-dessous des branches en train d'être coupées. Cet outil ne doit pas être tenu à un angle de plus de 60° par rapport au niveau du sol.
- Arrêter le moteur s'assurer que l'accessoire de coupe est immobilisé avant de poser l'outil.
- Suivre les instructions d'affûtage et d'entretien fournies par le fabricant de la scie à chaîne.
- Utiliser exclusivement les guides et chaînes à faible risque de rebond spécifiées pour l'outil.
- Ne pas fonctionner la scie avec une main ! La blessure sérieuse à l'opérateur, les aides, les passants, ou n'importe quelle combinaison de ces personnes peut des résultats d'une opération de main. Cette scie a projeté pour l'usage deux-transmis.
- Faire preuve de la plus extrême prudence lors de la coupe de petits buissons et de jeunes arbres, car les branchettes fines peuvent se prendre dans la chaîne et fouetter l'utilisateur ou le déséquilibrer.
- Lors de la coupe d'une branche sous tension, toujours rester vigilant, car la branche risque de fouetter l'utilisateur lorsque la tension dans les fibres de bois est relâchée.
- Pour éviter un démarrage accidentelle, ne jamais transporter l'outil avec le bloc-piles installé ou avec le doigt sur la commutateur.
- Manipuler le produit avec prudence — S'assurer que les lames demeurent coupantes et propres

RÈGLES DE SÉCURITÉ PARTICULIÈRES

pour un meilleur rendement et pour réduire les risques de blessure. Suivre les directives pour la lubrification et pour changer les accessoires. Inspecter périodiquement le cordon du produit et le faire réparer dans un centre de service autorisé s'il est endommagé. Inspecter régulièrement le cordon du chargeur de pile. S'il est endommagé, le faire réparer ou remplacer au centre de réparations agréé le plus proche.











- Gardez les poignées sèches, propres et libres d'huile et de graisse.
- Le produit doit être réparé par un personnel qualifié seulement. Des réparations ou l'entretien effectués par un personnel non qualifié pourrait résulter en des blessures pour l'utilisateur ou endommager le produit.
- Les outils fonctionnant sur piles n'ayant pas besoin d'être branchés sur une prise secteur, ils sont toujours en état de fonctionnement. Rester conscient des dangers lorsque l'outil n'est pas en usage.
- Retirer le bloc-piles avant tout réglage, nettoyage, remisage ou déblocage, lors du remplacement d'accessoires tels que le guide et la chaîne et lorsque l'outil n'est pas en usage.
- Les piles ne doivent être rechargées qu'avec l'appareil spécifié. Un chargeur approprié pour un type de pile peut créer un risque d'incendie si il est utilisé avec un autre type de pile. Ne recharger les piles qu'avec l'appareil indiqué.
- Pour utiliser l'appareil avec des piles au nickel-cadmium et au lithium-ion de 18 V, consulter le supplément de raccordement pour chargeur/ outils/piles/appareil n° 987000-432.

- Pour éviter les risques d'explosion et de blessures, ne pas placer les blocs de piles ou piles à proximité de flammes ou d'une source de chaleur.
- Ne pas ouvrir ou altérer le bloc-piles. L'électrolyte est un produit corrosif pouvant causer des lésions cutanées ou oculaires. Il peut être toxique en cas d'ingestion.
- Ne pas charger l'appareil sous la pluie ou dans un endroit mouillé.
- Ne pas recharger l'outil dans un endroit humide ou mouillé. Le respect de cette règle réduira les risques de choc électrique.
- Ne pas mettre le bloc-piles au feu. Les piles peuvent exploser. Consulter les autorités locales compétentes pour les options de recyclage et/ ou l'élimination des piles.
- Manipuler les batteries avec soin pour éviter des courts-circuits. Lorsque le bloc-piles n'est pas en usage, le tenir à l'écart d'articles métalliques tels que : les attaches trombones, pièces de monnaie, clous, vis et autres petits objets métalliques risquant d'établir le contact entre les deux bornes. La mise en court-circuit de bornes de piles peut causer des étincelles, des brûlures ou un incendie.
- Conserver ces instructions. Les consulter fréquemment et les utiliser pour instruire les autres utilisateurs éventuels. Si ce produit est prêté, il doit être accompagné de ces instructions, afin d'éviter un usage incorrect et d'éventuelles blessures.

CONSERVER CES INSTRUCTIONS




SYMBOLES

Certains des symboles ci-dessous peuvent être utilisés sur le produit. Veiller à les étudier et apprendre leur signification pour assurer la sécurité d'utilisation.

SYMBOLE	NOM	EXPLICATION
	Symbole d'alerte de sécurité	Indique un risque de blessure potentiel.
	Lire le manuel d'utilisation	Pour réduire les risques de blessures, l'utilisateur doit lire et veiller à bien comprendre le manuel d'utilisation avant d'utiliser ce produit.
	Porter une protection oculaire et protection casque	Toujours porter une protection oculaire avec écrans latéraux certifiée conforme à la norme ANSI Z87.1, ainsi qu'une protection casque.
	Avertissement concernant l'humidité	N'exposez pas à la pluie et n'utilisez pas dans des endroits humides.
	Gants	Porter des gants épais antidérapants lors de la manipulation de l'scie et de la lame.
	Chaussures de sécurité	Porter des chaussures de travail à semelle antidérapante lors de l'utilisation de l'outil.
	La tenir à l'écart de lignes électriques et ne laisser personne s'approcher	DANGER! Risque d'électrocution! Ne pas travailler à moins de 15m (50 pi) de lignes électriques. Ne jamais laisser quiconque se tenir à moins de 15 m (50 pi) de l'outil.
	Choc électrique	L'utilisation dans des conditions humides et le non respect des instructions de sécurité peuvent résulter en un choc électrique.
	Symbole Mains à l'écart	Le non-respect de cette mise en garde peut entraîner des blessures graves.
	Symboles de recyclage	Ce produit utilise les piles de lithium-ion ou nickel-cadmium. Les réglementations locales ou gouvernementales peuvent interdire de jeter les piles au nickel-cadmium dans les ordures ménagères. Consulter les autorités locales compétentes pour les options de recyclage et/ou l'élimination.
V	Volts	Voltage
==	Courant continu	Type ou caractéristique du courant

SYMBOLES

Les termes de mise en garde suivants et leur signification ont pour but d'expliquer le degré de risques associé à l'utilisation de ce produit.

SYMBOLE	SIGNAL	SIGNIFICATION
	DANGER :	Indique une situation extrêmement dangereuse qui, si elle n'est pas évitée, aura pour conséquences des blessures graves ou mortelles.
	AVERTISSEMENT :	Indique une situation potentiellement dangereuse qui, si elle n'est pas évitée, pourrait entraîner des blessures graves ou mortelles.
	ATTENTION :	Indique une situation potentiellement dangereuse qui, si elle n'est pas évitée, pourrait entraîner des blessures légères ou de gravité modérée.
	AVIS :	(Sans symbole d'alerte de sécurité) Indique une information importante ne concernant pas un risque de blessure comme une situation pouvant occasionner des dommages matériels.

CARACTÉRISTIQUES

FICHE TECHNIQUE

Moteur	18 V c.c.
Longueur du guide	203 mm (8 po)
Capacité de coupe	152 mm (6 po)
Pas de la chaîne	9,5 mm (3/8 po)
Type de chaîne	Guide d'entaille étroit à denture évidée basse
Poids	3,6 kg (8 lb)

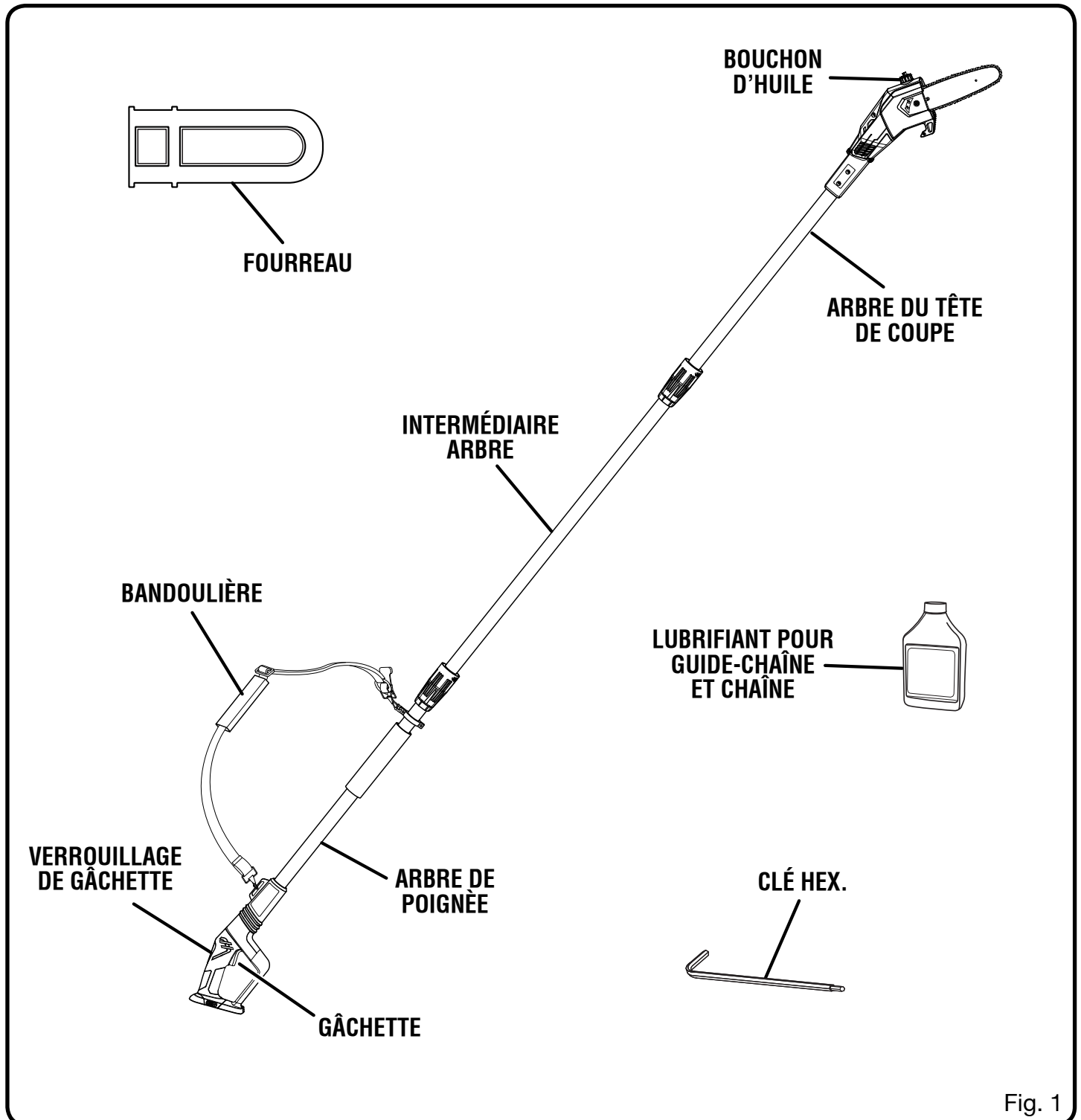


Fig. 1

CARACTÉRISTIQUES

APPRENDRE À CONNAÎTRE LE SCIE DE MANCHE

Voir la figure 1.

L'utilisation sûre de ce produit exige une compréhension des renseignements figurant sur le produit et contenus dans le manuel d'utilisation, ainsi qu'une bonne connaissance du projet entrepris. Avant d'utiliser ce produit, se familiariser avec toutes ses caractéristiques et règles de sécurité.

REGARD DE NIVEAU D'HUILE

Réservoir de lubrifiant de guide semi-transparent permettant à l'utilisateur de voir à quel moment ajouter de le lubrifiant.

FOURREAU

Le fourreau empêche que l'opérateur entre en contact avec les lames tranchantes lorsque l'outil n'est pas en usage. Il évite également que les lames soient ébréchées ou endommagées pendant le remisage.

VERROUILLAGE DE GÂCHETTE

Le verrouillage de gâchette empêche les démarrages accidentels de l'outil.

ASSEMBLAGE

DÉBALLAGE

Ce produit doit être assemblé.

- Avec précaution, sortir le produit et les accessoires de la boîte. S'assurer que toutes les pièces figurant sur la liste de contrôle sont incluses.

AVERTISSEMENT :

Ne pas utiliser le produit si, en le déballant, vous constatez que des éléments figurant dans la liste de contrôle d'expédition sont déjà assemblés. Certaines pièces figurant sur cette liste n'ont pas été assemblées par le fabricant et exigent une installation. Le fait d'utiliser un produit qui a été assemblé de façon inadéquate peut entraîner des blessures.

- Examiner soigneusement le produit pour s'assurer que rien n'a été brisé ou endommagé en cours de transport.
- Ne pas jeter les matériaux d'emballage avant d'avoir soigneusement examiné le produit et avoir vérifié qu'il fonctionne correctement.
- Si des pièces sont manquantes ou endommagées, appeler le 1-800-860-4050.

LISTE DE CONTRÔLE D'EXPÉDITION

Arbre du tête de coupe
Intermédiaire arbre
Arbre de poignée
Fourreau
Clé hex.
Lubrifiant pour guide-chaîne et chaîne
Bandoulière
Manuel d'utilisation

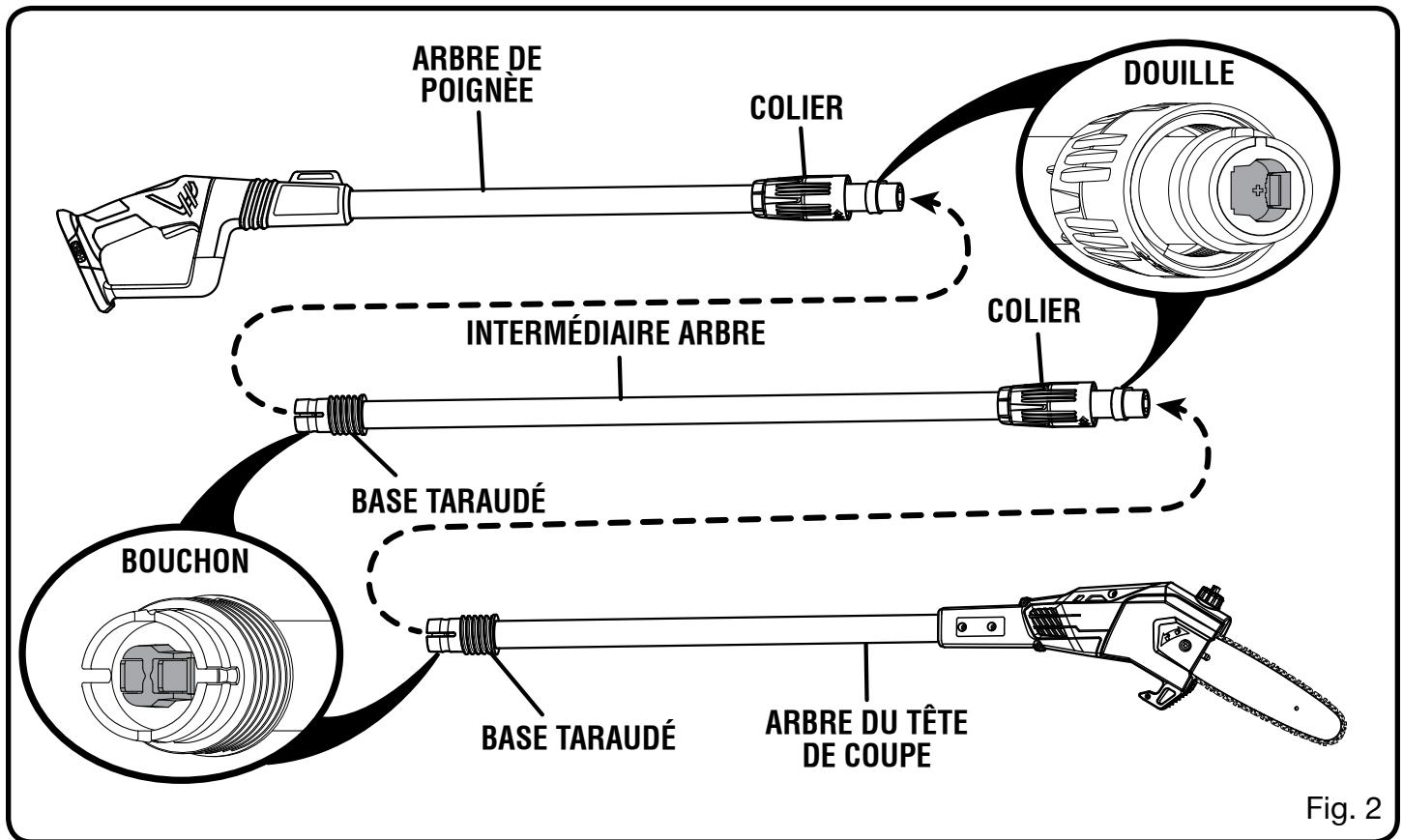
AVERTISSEMENT :

Si des pièces manquent ou sont endommagées, ne pas utiliser ce produit avant qu'elles aient été remplacées. Le fait d'utiliser ce produit même s'il contient des pièces endommagées ou s'il lui manque des pièces peut entraîner des blessures graves.

AVERTISSEMENT :

Ne pas essayer de modifier ce produit ou de créer des accessoires non recommandés pour ce produit. De telles altérations ou modifications sont considérées comme un usage abusif et peuvent créer des conditions dangereuses, risquant d'entraîner des blessures graves.

ASSEMBLAGE



⚠ AVERTISSEMENT :

Pour empêcher un démarrage accidentel pouvant entraîner des blessures graves, toujours déconnecter le fil de bougie de moteur de la bougie d'allumage avant d'assembler des pièces.

CONNEXION DU LE POIGNÉE

Voir la figure 2.

- Insérer le bouchon de l'arbre intermédiaire dans la douille de l'arbre de poignée et pousser l'un contre l'autre jusqu'à ce qu'il soit fixé solidement. Le bouchon est plus gros sur un côté et son sens d'installation est unique.

- Abaisser le collier de l'arbre à poignée sur la base fileté de l'arbre intermédiaire et le tourner dans le sens horaire afin de le serrer solidement.
- Répéter l'opération afin de fixer l'arbre intermédiaire à l'arbre du tête de coupe.

NOTE : Une fois assemblés correctement, l'arbre à poignée et l'arbre du tête de coupe ne devraient pas se détacher de l'arbre intermédiaire une fois tirés. Si c'est le cas, répéter les étapes ci-dessus.

⚠ AVERTISSEMENT :

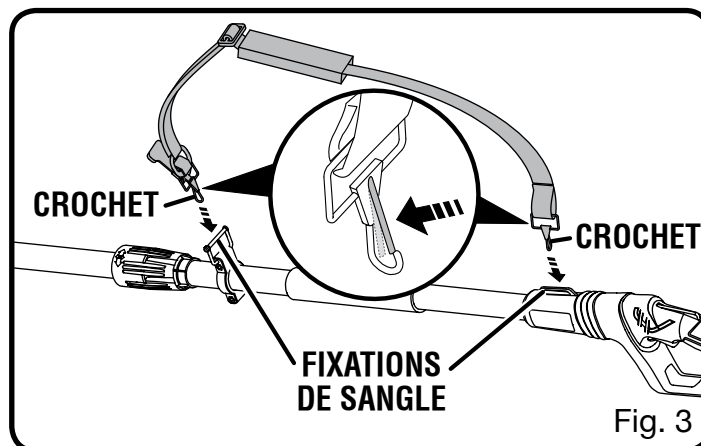
Si tous les arbres ne sont pas installés correctement ensemble comme décrit ci-dessus, les arbres se sépareront et causeront des blessures graves ou mortelles.

ASSEMBLAGE

INSTALLATION DE LA BANDOULIÈRE

Voir la figure 3.

- Fixer les crochets de la bandoulière aux fixations de sangle.
- Régler la longueur de la sangle de manière à obtenir une position confortable.



UTILISATION

⚠ DANGER :

Ne jamais effectuer de coupes près de cerca de lignes, lignes cordon de électriques ou de sources de courant. Si les embouteillages de barre et chaîne sur la cordon électrique ou l'inea, **NE PAS MANIPULER LA GUIDE OU LA CHAÎNE! ELLE PEUT ÊTRE SOUS TENSION ET DONC, EXTRÊMEMENT DANGEREUSE.** Continuer de tenir le électrique de manche par la poignée arrière isolée ou le poser à l'écart en prenant les précautions nécessaires. Mettre le circuit électrique de la ligne électrique hors tension ou débrancher le cordon endommagé avant d'essayer de débloquent la lame. Le contact avec la barre et chaîne, d'autres parties conductrices du électrique de manche, ou des cordons ou des fils électriques sous tension entraînerait des blessures graves ou mortelles.

⚠ AVERTISSEMENT :

Ne pas laisser la familiarité avec le produit faire oublier la prudence. Ne pas oublier qu'une fraction de seconde d'inattention peut entraîner des blessures graves.

⚠ AVERTISSEMENT :

Toujours porter une protection oculaire avec écrans latéraux certifiée conforme à la norme ANSI Z87.1, ainsi qu'une protection un casque. Si cette précaution n'est pas prise, des objets peuvent être projetés dans les yeux et d'autres lésions graves.

⚠ AVERTISSEMENT :

Ne pas utiliser produits ou accessoires non recommandés par le fabricant de ce produit. L'utilisation de pièces et accessoires non recommandés peut entraîner des blessures graves.

Avant chaque utilisation, inspecter au complet le produit afin de s'assurer qu'aucune pièce (vis, écrous, boulons, chapeaux, etc.) n'est endommagée, manquante ou desserrée. Serrer solidement toutes les pièces de fixation et les chapeaux et ne pas utiliser le produit tant que toutes les pièces manquantes ou endommagées n'ont pas été remplacées. Veuillez composer le 1-800-860-4050 ou communiquer avec un centre de réparations agréé pour obtenir de l'aide.

UTILISATION

APPLICATIONS

Ce produit peut être utilisé pour les applications ci-dessous :

- Ébranchage
- Émondage

APPOINT D'HUILE POUR GUIDE ET CHAÎNE

Voir la figure 4.

Utiliser de lubrifiant pour guide et chaîne. Cette huile, conçue pour les chaînes et huileurs de chaîne, est formulée pour fonctionner dans une vaste plage de températures et n'a pas besoin d'être diluée.

NOTE : La scie de manche sort d'usine sans guide et sans lubrifiant de chaîne ajoutée. La quantité devrait être vérifiée à tous les 20 minutes d'utilisation et renouvelée au besoin.

- Retirer le bouchon du réservoir d'huile.
- Verser soigneusement le lubrifiant pour guide et chaîne dans le réservoir.
- Essuyer l'excès d'huile.
- Inspecter le niveau et remplir le réservoir d'huile si le niveau d'huile indiqué dans le regard est en dessous de l'avant dernier trait.
- Répéter la procédure selon les besoins.

NOTE : Ne pas utiliser d'huile sale, usagée ou autrement contaminée. Cela pourrait endommager le guide ou la chaîne.

NOTE : Il est normal que de l'huile suinte de la scie lorsqu'elle n'est pas en usage. Pour éviter ce suintement, vider le réservoir d'huile après chaque utilisation puis faire tourner la scie pendant une minute. Lorsque la scie est remise pour une période prolongée (trois mois ou plus), s'assurer que la chaîne et le pignon d'entraînement sont légèrement lubrifiés pour les protéger de la rouille.

RETRAIT/INSTALLATION DU BLOC-PILES

Voir la figure 5.

⚠ AVERTISSEMENT :

Toujours retirer la pile de l'outil au moment d'assembler des pièces, d'effectuer des réglages et de procéder au nettoyage, ou lorsque l'outil n'est pas utilisé. Le fait de retirer la pile permet d'empêcher un démarrage accidentel pouvant entraîner des blessures graves.

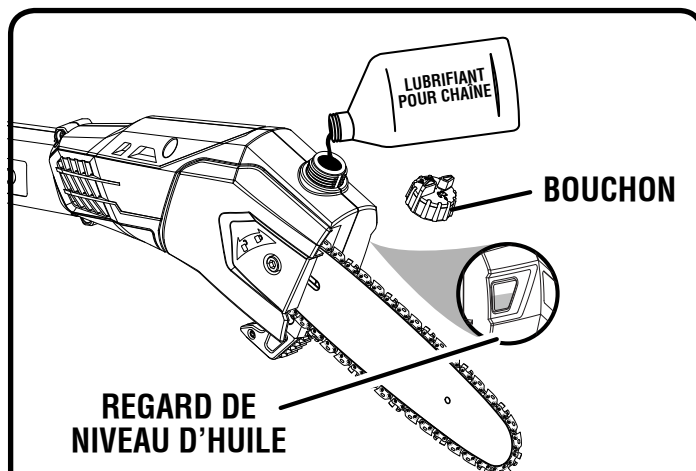


Fig. 4

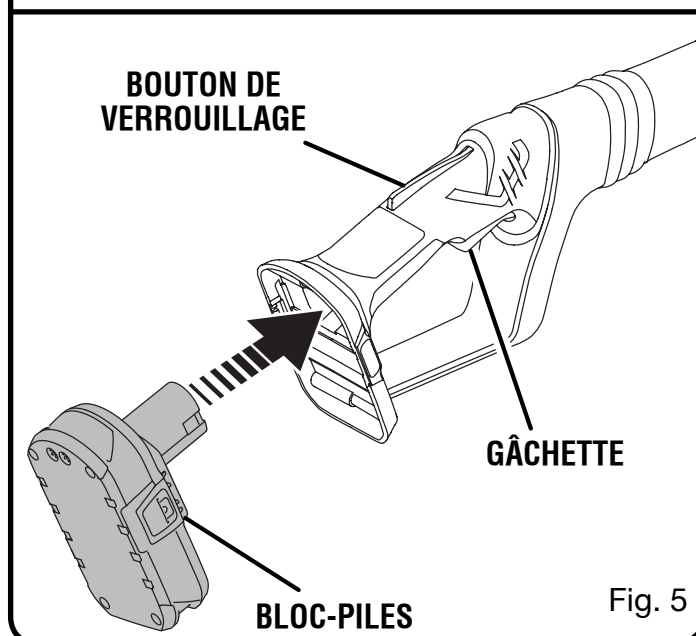


Fig. 5

NOTE : Pour éviter des blessures graves, toujours retirer le bloc-piles et tenir à distance de mains le bouton de verrouillage en portant l'outil.

Installation :

- Placer le bloc-piles dans la scie de manche. Aligner la saillie du bloc-piles sur la rainure du logement de la scie.
- S'assurer que ses deux loquets latéraux s'engagent correctement et vérifier que le bloc est solidement assujéti avant d'utiliser l'outil.

Retrait :

Appuyer sur les deux loquets se trouvant sur les côtés du bloc-piles pour le séparer de la scie de manche.

UTILISATION

DÉMARRAGE ET ARRÊT

Voir les figures 5 et 6.

Pour faire démarrer le moteur :

- Tenir l'élagueuse comme illustré et s'assurer qu'aucun obstacle ne risque d'entrer en contact avec la lame.
- Maintenir le verrouillage de gâchette enfoncé.
- Appuyer sur la gâchette.

Arrêter le moteur :

- Pour arrêter l'élagueuse, relâcher la gâchette. Lorsque la gâchette est relâchée, le verrouillage se remet automatiquement en position verrouillée.

PRÉPARATION POUR LA COUPE

Voir les figures 7 et 8.

- Porter des gants antidérapants pour assurer une prise et une protection maximum.
- Toujours maintenir une bonne prise lorsque le moteur tourne. Saisir fermement la poignée arrière avec la main droite et la poignée avant avec la main gauche.
- Tenir l'outil fermement, à deux mains. Toujours garder la main gauche sur la poignée avant et la main droite sur la poignée arrière, de façon à ce que le corps se trouve à gauche de la ligne de chaîne. Ne jamais utiliser une prise gauchère (mains inversées) ou une position qui place le bras ou le corps en travers de la ligne de chaîne.
- Ne jamais se tenir directement en dessous d'une branche en train d'être coupée.
- S'assurer que les colliers sont bien serrés avant d'utiliser l'outil, et les vérifier de temps à autre pour éviter le risque de blessures graves.

MÉTHODE DE COUPE ÉLÉMENTAIRE

Suivre la procédure ci-dessous pour éviter d'endommager l'écorce de l'arbre ou du buisson. Ne pas utiliser un mouvement de sciage d'avant en arrière.

- Effectuer une première entaille peu profonde (1/4 du diamètre de la branche) et pratiquée par le dessous de la branche, près de la branche maîtresse ou du tronc.
- Effectuer une deuxième entaille par le dessus de la branche, à l'extérieur de la première. Continuer à couper la branche jusqu'à ce qu'elle se détache de l'arbre. Se préparer à compenser le poids de l'outil lorsque la branche tombe.

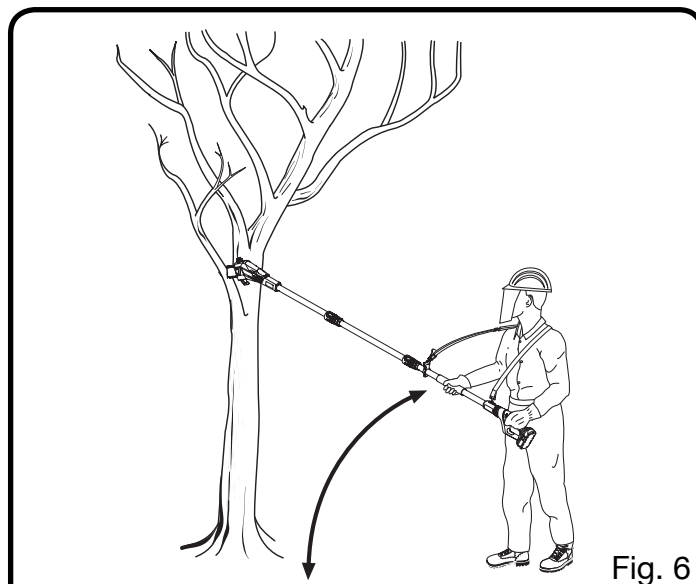


Fig. 6

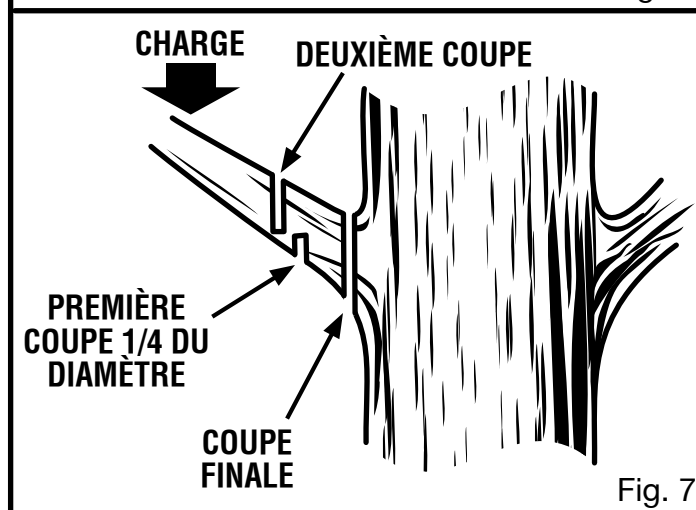


Fig. 7

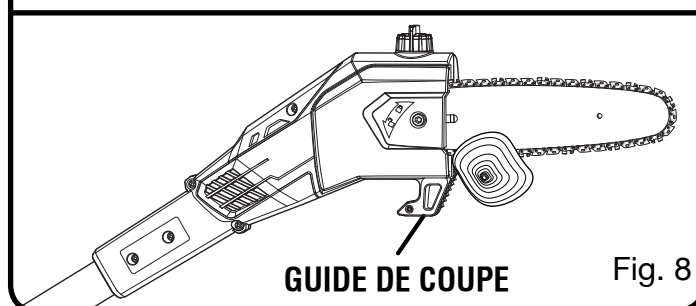


Fig. 8

- La coupe finale doit être pratiquée près du tronc.
- NOTE :** Pour la seconde et la dernière coupe (pratiquées par le dessus de la branche), tenir le guide avant contre la branche. Ceci stabilise la branche et facilite la coupe. Laisser la scie effectuer le travail, ne la pousser que légèrement vers le bas. Une force excessive pourrait endommager la chaîne, le guide ou le moteur.
- Relâcher la gâchette dès que la coupe a été effectuée.

UTILISATION

Si la bonne procédure de coupe n'est pas respectée, la chaîne et le guide seront pincés ou bloqués dans l'entaille. Dans cette éventualité :

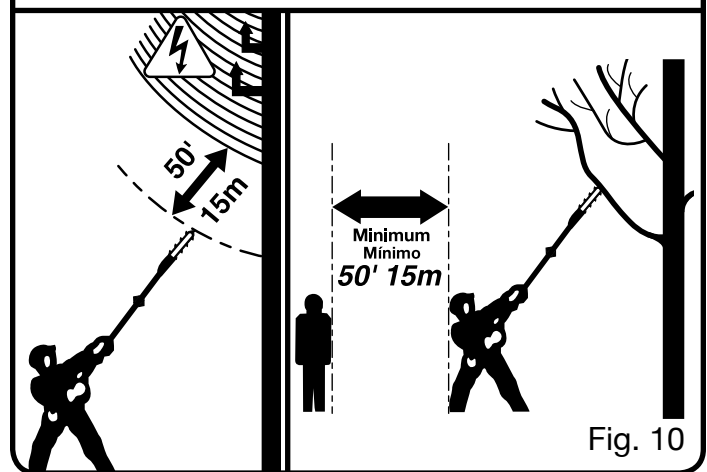
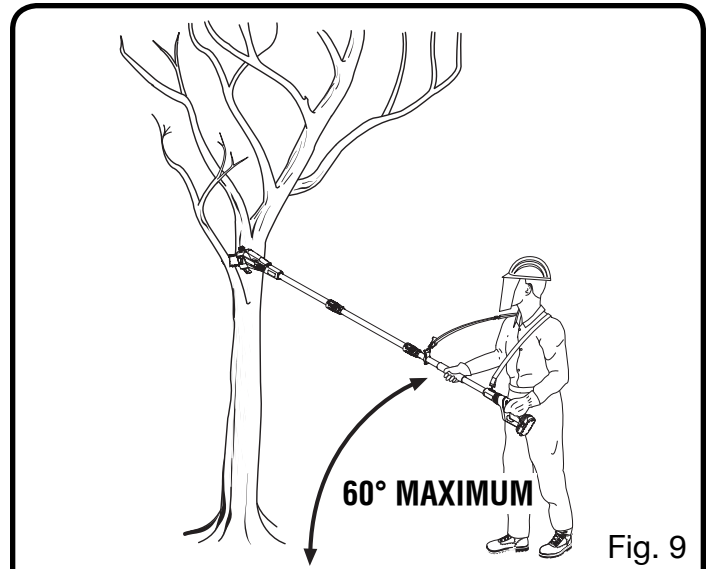
- Arrêtez le moteur et retirez le bloc-pile.
- Si la branche peut être atteinte en se tenant au sol, la soulever tout en tenant la scie. Ceci devrait « ouvrir » l'entaille et libérer l'outil.
- Si l'outil reste bloqué, consulter un professionnel.

ÉBRANCHAGE ET ÉMONDAGE

Voir les figures 9 et 10.

Cet outil est conçu pour couper de petites branches, d'un diamètre maximum de 152 mm (6 po). Pour un résultat optimal, prendre les précautions suivantes :

- Planifier soigneusement la coupe. Prévoir la direction dans laquelle la branche tombera.
- Les branches peuvent tomber dans une direction imprévue. Ne jamais se tenir directement au-dessous d'une branche en train d'être coupée.
- L'angle de coupe le plus courant est de 60°. Cet angle peut être réduit en fonction de la situation, comme illustré. Plus l'angle de l'arbre de l'élagueuse par rapport au sol est prononcé, plus la première entaille (effectuée par le dessous de la branche) est difficile à réaliser.
- Couper les branches longues en plusieurs fois.
- Couper les branches basses pour laisser aux branches hautes davantage d'espace pour tomber.
- Travailler lentement et tenir l'outil fermement à deux mains. Se tenir bien campé et en équilibre.
- Garder le tronc entre le corps et la chaîne pendant l'ébranchage. Couper en se tenant du côté du tronc opposé à la branche à couper.
- Ne pas travailler en se tenant sur une échelle, ce qui est extrêmement dangereux. Ce type de travail doit être confié à des professionnels.
- Ne pas couper au ras d'une branche maîtresse ou du tronc avant d'avoir coupé la branche à distance pour en réduire le poids. Suivre la bonne méthode de coupe évite d'endommager l'écorce.



- Ne pas utiliser l'élagueuse pour abattre ou tronçonner des arbres.
- Pour éviter les risques d'électrocution, ne pas travailler à moins de 15 m (50 pi) de lignes électriques.
- Garder les badauds à une distance de 15 m (50 pi) minimum.

ENTRETIEN

⚠ AVERTISSEMENT :

Utiliser exclusivement des pièces d'origine pour les réparations. L'usage de toute autre pièce pourrait créer une situation dangereuse ou endommager l'outil.

⚠ AVERTISSEMENT :

Toujours porter une protection oculaire avec écrans latéraux certifiée conforme à la norme ANSI Z87.1, ainsi qu'une protection un casque. Si cette précaution n'est pas prise, des objets peuvent être projetés dans les yeux et d'autres lésions graves.

⚠ AVERTISSEMENT :

Avant d'inspecter, nettoyer ou entretenir l'équipement, arrêtez le moteur, attendre que toutes les pièces en mouvement s'arrêtent et retirer le bloc-pile. Le non-respect de ces instructions peut entraîner des blessures graves ou des dégâts matériels.

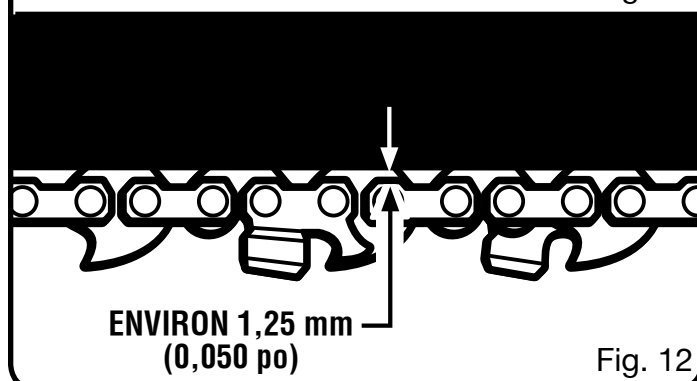
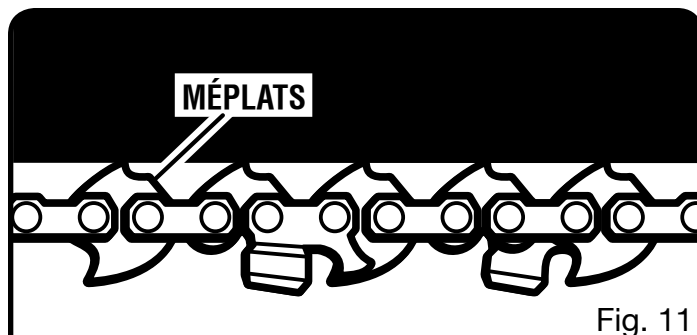
ENTRETIEN GÉNÉRAL

Éviter d'utiliser des solvants pour le nettoyage des pièces en plastique. La plupart des matières plastiques peuvent être endommagées par divers types de solvants du commerce. Utiliser un chiffon propre pour éliminer la saleté, la poussière, l'huile, la graisse, etc.

⚠ AVERTISSEMENT :

Ne jamais laisse de liquides tels que le fluide de freins, l'essence, les produits à base de pétrole, les huiles pénétrantes, etc., entrer en contact avec les pièces en plastique. Les produits chimiques peuvent endommager, affaiblir ou détruire le plastique, ce qui peut entraîner des blessures graves.

Tous les travaux d'entretien de la scie de manche, à l'exception de ceux qui sont mentionnés dans les directives d'entretien du guide d'utilisation, doivent être réalisés par des spécialistes de l'entretien de scie de manche compétents (par



exemple, l'utilisation d'outils inappropriés pour immobiliser le volant afin de retirer l'embrayage peut endommager la structure du volant, par suite de quoi celui-ci pourrait éclater).

TENSION DE LA CHAÎNE

Voir les figures 11 et 12.

⚠ AVERTISSEMENT :

Pour éviter des blessures, ne jamais toucher ou régler la chaîne lorsque le moteur tourne. La chaîne de la scie est extrêmement tranchante. Toujours porter des gants lors de son entretien.

- Couper le moteur et retirer le bloc-pile avant de régler la tension de la chaîne. S'assurer que la vis du carter de la chaîne n'est serré qu'à la main et tourner la vis vers la droite pour tendre la chaîne. Voir **Remplacement du guide et de la chaîne** plus loin dans ce manuel, pour des informations plus détaillées.

NOTE : Une chaîne froide est correctement tendue lorsqu'elle ne présente pas de mou au-dessous du guide et qu'elle est bien serrée mais peut cependant être tournée à la main sans se gripper.

ENTRETIEN

- La chaîne doit être retendue chaque fois que les plats des maillons d'entraînement pendent au-dessous de la rainure du guide comme illustré à la figure 11.
- Pendant l'utilisation normale, la température de la chaîne augmente. Les maillons d'entraînement d'une chaîne chaude correctement tendue pendent d'environ 1,27 mm (0,050 po) hors de la rainure du guide comme illustré à la figure 12.

NOTE : Les chaînes neuves ont tendance à s'étirer. Il convient donc de vérifier leur tension fréquemment et de la corriger selon le besoin.

AVIS :

Une chaîne réglée à chaud peut présenter une tension excessive une fois refroidie. Vérifier la « tension à froid » avant l'utilisation suivante.

REPLACEMENT DE LA GUIDE ET CHAÎNE

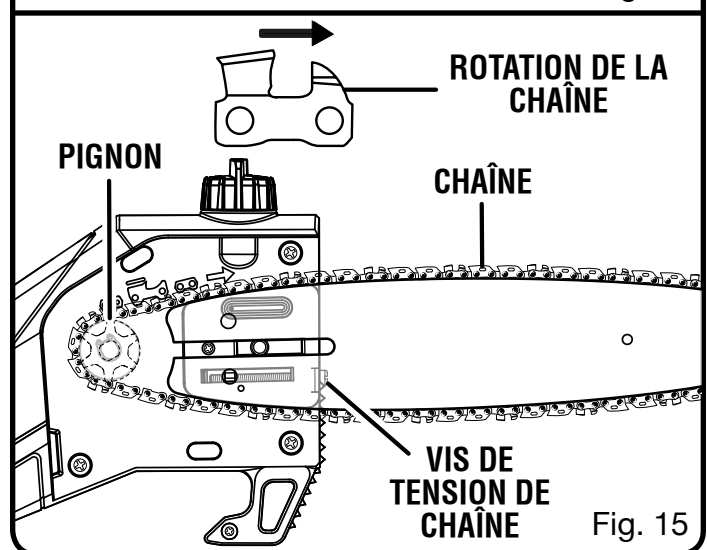
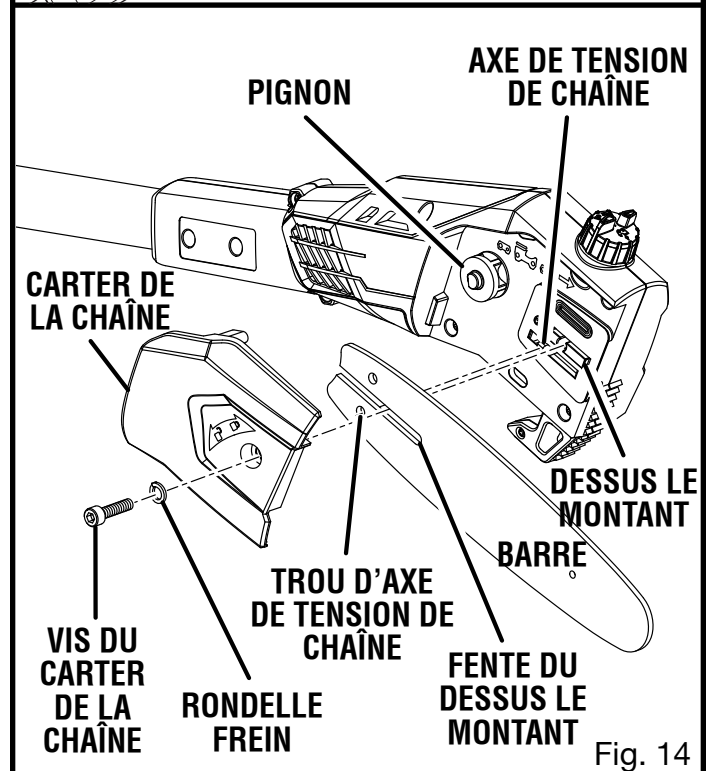
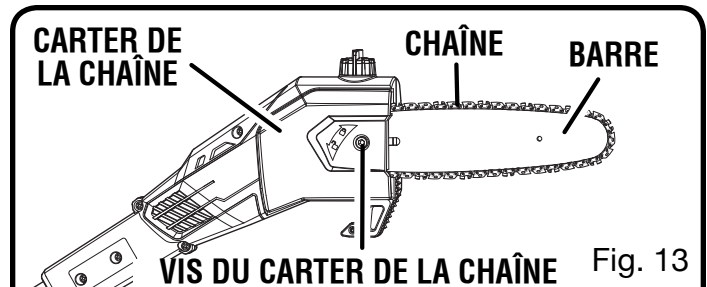
Voir les figures 13 à 16.

⚠ AVERTISSEMENT :

Pour éviter des risques de blessures, arrêtez le moteur et retirez le bloc-pile avant de remplacer le guide, la chaîne ou d'effectuer un entretien.

- Avec la clé hexagonale fournie, retirer la vis et la rondelle du carter de chaîne et retirer le carter.
 - La barre comporte une fente qui se fixe par dessus le montant. Le guide comporte également un trou qui s'engage sur l'axe de tension de la chaîne.
 - Placer la barre sur le dessus le montant, de façon à ce que l'axe de tension de la chaîne soit inséré dans son trou.
- NOTE :** Si nécessaire, tourner la vis de tension de chaîne vers la gauche jusqu'à ce que l'axe et le trou soient alignés.
- Engager la chaîne sur le pignon et dans la rainure du guide. Les dents du haut du guide doivent être orientées vers l'avant, dans le sens de rotation de la chaîne.

- Réinstaller le carter de chaîne avec la rondelle et la vis. Serrer la vis à la main seulement. Le mouvement du guide est nécessaire pour le réglage de la tension.



- Éliminer complètement le mou de la chaîne en tournant la vis de réglage de tension vers la droite jusqu'à ce que la chaîne soit bien ajustée dans la rainure du guide.

ENTRETIEN

- Serrer fermement la vis du carter de la chaîne de montage.

NOTE : La chaîne est correctement tendue lorsqu'elle ne présente pas de mou en dessous du guide et qu'elle est bien serrée mais peut cependant être tournée à la main sans se gripper.

Si la chaîne est trop tendue, elle ne peut pas tourner. Desserrer légèrement la vis du carter de la chaîne du guide et tourner la vis de tension de 1/4 de tour vers la gauche. Resserrer fermement la vis du carter de la chaîne.

SYSTÈME DE LUBRIFICATION DE LA CHAÎNE

Voir la figure 17.

- Utiliser un lubrifiant pour guide et chaîne Premium. Cette huile, conçue pour les chaînes et huileurs de chaîne, est formulée pour fonctionner dans une vaste plage de températures sans être diluée.
- Retirer le bouchon et verser soigneusement environ 6 cl (2 oz) de lubrifiant pour guide et chaîne dans le réservoir.
- Remettre le bouchon en place et le serrer fermement.
- Examiner le niveau d'huile et remplir le réservoir chaque fois que l'outil est utilisé.

NOTE : Ne pas utiliser de lubrifiant sale, usagée ou autrement contaminée. Cela pourrait endommager la pompe à huile, le guide ou la chaîne.

ENTRETIEN DE LA CHAÎNE

Voir la figure 18.

Pour couper rapidement et nettement, la chaîne doit être correctement entretenue. Les conditions suivantes indiquent que la chaîne a besoin d'être affûtée :

- Les copeaux sont petits et poudreux
- La chaîne doit être forcée au travers du bois pour couper
- La chaîne ne coupe que d'un côté

Lors de l'entretien de la chaîne, tenir compte des points suivants :

- Un angle d'affûtage incorrect de la plaque latérale peut accroître les risques de rebond puissant.

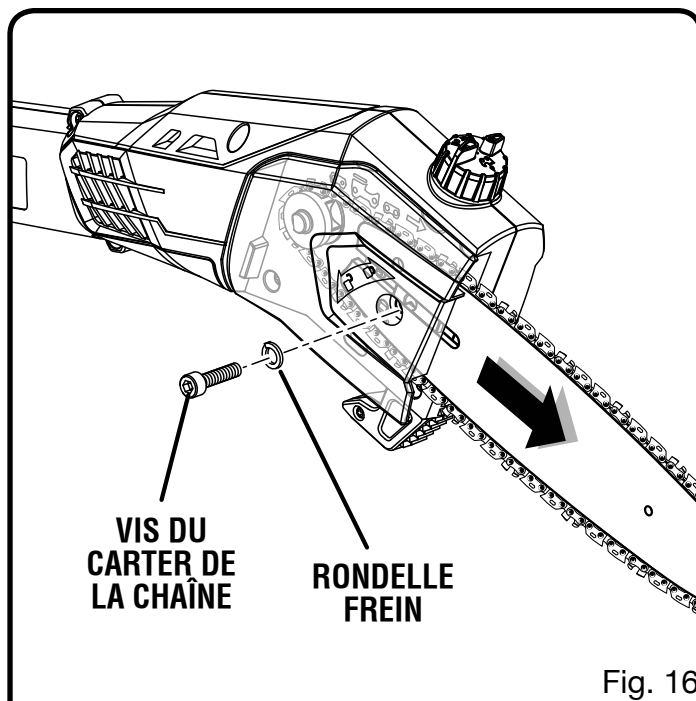


Fig. 16

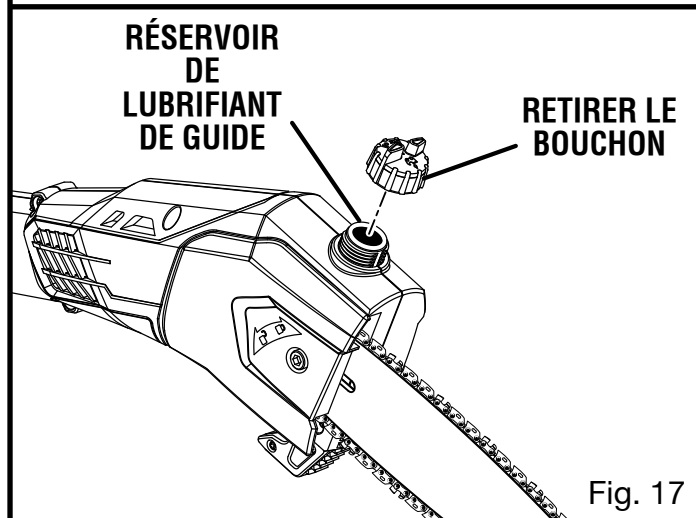


Fig. 17

JEU DU LIMITEUR DE PROFONDEUR

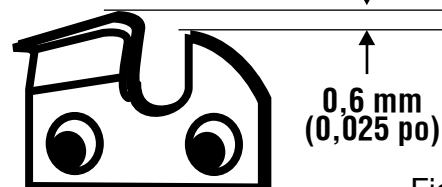


Fig. 18

- Le réglage de la profondeur de coupe détermine la pénétration des dents dans le bois et la taille des copeaux produits. Un réglage trop profond accroît le risque de rebond. Une profondeur insuffisante réduit la taille des copeaux, donc l'efficacité de coupe de la chaîne.

- Si les dents de la chaîne ont heurté des objets durs tels que des clous ou des pierres, ou ont été abrasées par du sable ou de la boue se trouvant sur le bois, la faire affûter dans un centre de réparations agréé.

COMMENT AFFÛTER LES DENTS

Voir les figures 19 à 22.

Veiller à limer toutes les dents aux angles spécifiés et à la même longueur, car une coupe rapide ne peut être obtenue qu'avec des dents uniformes.

- Serrer la chaîne de manière à ce qu'elle n'oscille pas. Tout le limage doit être effectué au point central du guide. Porter des gants protecteurs.
- Utiliser une lime ronde de 5/32 po, et un porte-lime.
- Garder la lime de niveau avec la plaque supérieure de la dent. Ne pas incliner la lime ou utiliser un mouvement de bascule.
- Exercer une pression légère mais ferme et limer en direction du coin avant de la dent. Soulever la lime du métal à chaque retour.
- Effectuer quelques passes fermes sur chaque dent. Limer toutes les gouges de gauche dans un sens. Ensuite, passer à l'autre côté et limer toutes les gouges de droite dans l'autre sens. De temps à autre, éliminer la limaille de la lime au moyen d'une brosse métallique.

PIÈCES D'UNE DENT

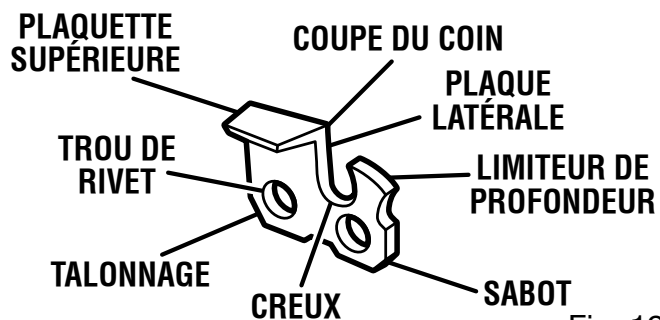


Fig. 19

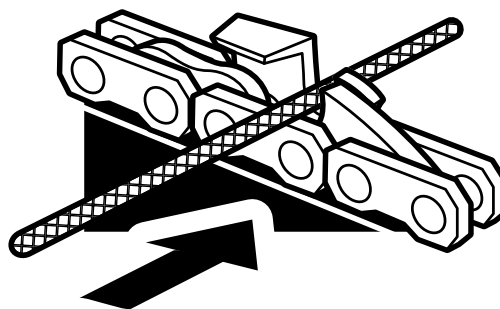


Fig. 20

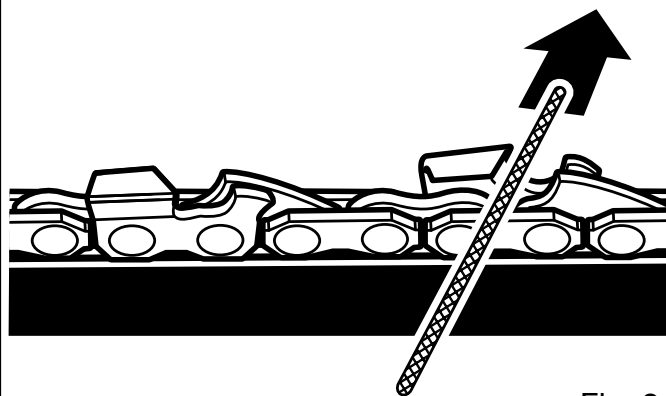


Fig. 21

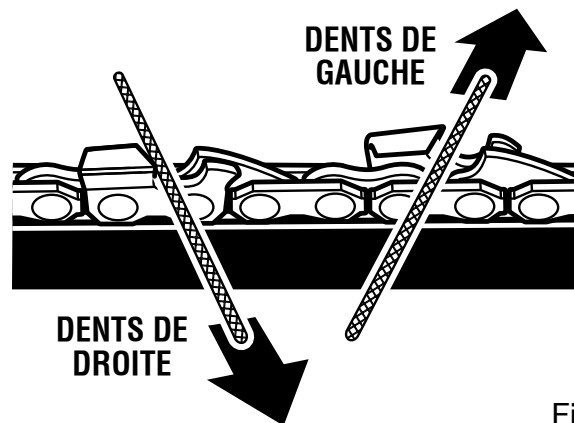


Fig. 22

AVIS :

Une chaîne émoussée ou incorrectement affûtée peut causer une vitesse excessive du moteur pendant la coupe et l'endommager gravement.

⚠ AVERTISSEMENT :

Un affûtage incorrect de la chaîne accroît le risque de rebond. L'utilisation d'une chaîne endommagée peut causer de blessures graves.

ENTRETIEN

REMISAGE LE PRODUIT

Voir la figure 23.

- Nettoyer soigneusement le produit. La remiser dans un endroit bien aéré, inaccessible aux enfants. La tenir à l'écart de produits corrosifs, tels que les produits chimiques de jardinage et le sel de dégivrage.
- Toujours placer le fourreau sur le guide lors du transport ou du remisage de la scie. Le fourreau est très ajusté et il doit être installé avec la plus grande prudence, car les dents de la chaîne sont tranchantes. Pour ce faire, saisir le fourreau à une extrémité en son milieu et l'enfiler avec prudence sur la chaîne comme illustré. Veiller à ne pas se couper sur les dents de la chaîne.

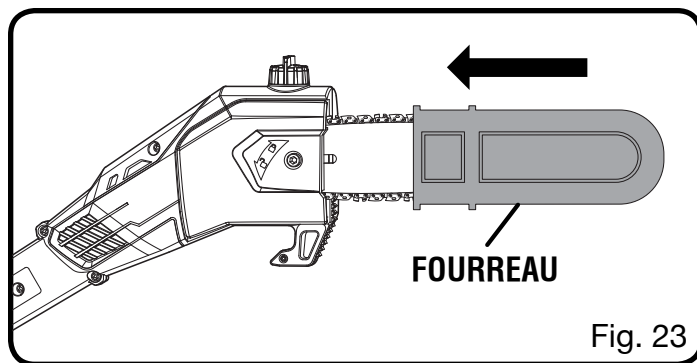


Fig. 23

NOTE : La chaîne de la scie est extrêmement tranchante. Toujours porter des gants lors de sa manipulation.

DÉPANNAGE

PROBLÈME	CAUSE	SOLUTION
Le guide et la chaîne chauffent et fument.	Regarder si la chaîne est trop tendue Réservoir de lubrifiant de guide vide	Tendre la chaîne. Voir Tension de la chaîne plus haut dans ce manuel. Vérifier le niveau de lubrifiant de guide dans le réservoir.
Le moteur tourne, mais la chaîne ne se met pas en rotation.	Tension de la chaîne excessive. Vérifier l'ensemble guide et chaîne. S'assurer que l'ensemble guide et chaîne n'est pas endommagé.	Retendre la chaîne. Voir Tension de la chaîne plus haut dans ce manuel. Voir Remplacement du guide et de la chaîne plus haut dans ce manuel. S'assurer que l'ensemble guide et chaîne n'est pas endommagé.



NOUS APPELER D'ABORD

Pour toute question concernant l'utilisation ou l'entretien utiliser ce produit, appeler le service d'assistance téléphonique Ryobi!

Le taille-bordures à été entièrement testé avant expédition pour assurer la complète satisfaction de l'utilisateur.

ÉNONCÉ DE LA GARANTIE LIMITÉE

Techtronic Industries North America, Inc., garantit à l'acheteur original que ce produit RYOBI® est exempt de tous vices de matériaux ou de fabrication et s'engage à réparer ou remplacer gratuitement, à son choix, tout produit s'avérant défectueux au cours des périodes indiquées ci-dessous, à compter de la date d'achat.

- Trois ans sur les produits utilisés par des particuliers ;
- 90 jours sur les produits utilisés à toutes autres fins, telles que les travaux commerciaux et la location.

Cette garantie n'est offerte qu'à l'acheteur original et entre en vigueur à la date de l'achat original.

Toute pièce de ce produit jugée, après évaluation raisonnable par Techtronic Industries North America, Inc., comme présentant des vices de matériaux ou de fabrication, sera réparée ou remplacée, sans facturation pour pièces ou main d'oeuvre par un centre de réparations agréé pour produits d'extérieur de marque RYOBI® (centre de réparations Ryobi agréé).

Le produit, y compris toutes les pièces défectueuses devront être retournés à un centre de réparations Ryobi agréé, avant expiration de la période de garantie. Les frais d'expédition au centre de réparations pour les travaux sous garantie et de retour au propriétaire du produit seront assumés par le propriétaire. En ce qui concerne les réclamations en garantie, la responsabilité Techtronic Industries North America, Inc., se limitera à la réparation ou au remplacement des produits défectueux et aucune revendication de rupture de garantie ne pourra causer l'annulation ou la résiliation du contrat de vente d'un produit d'extérieur RYOBI® quel qu'il soit. Une preuve d'achat sera exigée par le centre de réparation, afin de valider toute réclamation au titre de la garantie. Toutes les réparations sous garantie devront être effectuées par un centre de réparations agréé.

La garantie sur tout produit d'extérieur RYOBI® utilisé pour la location, des travaux commerciaux ou tout autre usage lucratif, sera limitée à quatre-vingt-dix (90) jours, à compter de la date d'achat au détail original.

Cette garantie ne couvre pas les produits ayant fait l'objet d'un usage abusif ou négligent, d'un manque d'entretien, ayant été impliqués dans un accident ou employé de façon contraire aux instructions du manuel d'utilisation. Cette garantie ne couvre ni les dommages aux produits résultant d'un manque d'entretien, ni les produits qui ont été altérés ou modifiés. La garantie exclut les réparations rendues nécessaires par l'usure normale ou l'utilisation de pièces et accessoires incompatibles avec le produit d'extérieur RYOBI® ou nuisibles à son bon fonctionnement, ses performances ou sa durabilité. En outre, cette garanti exclut :

A. Les réglages – Bougies, carburateur, réglages du carburateur, allumage, filtres

B. Les articles consommables – Boutons d'avance par choc, bobines externes, lignes de coupe, bobines internes, poulies et cordons de lanceur, courroies d'entraînement, dents, rondelles en feutre, axes d'attelage, lames de paillage, ventilateur de soufflante, tubes de soufflage et d'aspiration, sacs à débris, guides, chaînes de scie

Techtronic Industries North America, Inc., se réserve le droit d'apporter des modifications ou améliorations à tout produit extérieur RYOBI®, sans obligation de modifier les produits fabriqués antérieurement.

LA DURÉE DE TOUTES LES GARANTIES IMPLICITES NE SAURAIT EN AUCUN CAS EXCÉDER LA PÉRIODE DE GARANTIE DÉCLARÉE. PAR CONSÉQUENT, TOUTES LES GARANTIES IMPLICITES, Y COMPRIS LES GARANTIES DE VALEUR MARCHANDE OU D'ADÉQUATION À UN USAGE PARTICULIER OU AUTRES SERONT INVALIDÉES À L'EXPIRATION DE LA PÉRIODE DE GARANTIE APPROPRIÉE DE TROIS ANS OU QUATRE-VINGT-DIX JOURS. LES OBLIGATIONS DE TECHTRONIC INDUSTRIES NORTH AMERICA, INC., DANS LE CADRE DE CETTE GARANTIE SE LIMITENT EXCLUSIVEMENT À LA RÉPARATION OU AU REMPLACEMENT DES PIÈCES DÉFECTUEUSES ET TECHTRONIC INDUSTRIES NORTH AMERICA, INC. N'ASSUME OU N'AUTORISE QUICONQUE À ASSUMER QUELQUE AUTRE OBLIGATION QUE CE SOIT. CERTAINS ÉTATS ET PROVINCES NE PERMETTANT PAS DE LIMITATION DE DURÉE DES GARANTIES IMPLICITES, LES RESTRICTIONS CI-DESSOUS PEUVENT NE PAS ÊTRE APPLICABLES. TECHTRONIC INDUSTRIES NORTH AMERICA, INC., DÉCLINE TOUTE RESPONSABILITÉ EN CE QUI CONCERNE LES DOMMAGES DIRECTS, INDIRECTS OU AUTRES, Y COMPRIS, MAIS SANS S'Y LIMITER, LES FRAIS DE RETOUR DE PRODUITS À UN CENTRE DE RÉPARATION RYOBI AGRÉÉ ET DE RENVOI AU PROPRIÉTAIRE, DE DÉPLACEMENT D'UN TECHNICIEN, DE TÉLÉPHONE OU TÉLÉGRAMME, DE LOCATION D'UN PRODUIT SIMILAIRE PENDANT LA DURÉE DES RÉPARATIONS SOUS GARANTIE, DE DÉPLACEMENT, DE PERTES OU DOMMAGES À DES BIENS PERSONNELS, DE MANQUE À GAGNER, DE PERTE D'USAGE DU PRODUIT, DE PERTE DE TEMPS OU DE DÉRANGEMENT. CERTAINS ÉTATS ET PROVINCES NE PERMETTANT L'EXCLUSION OU LA LIMITATION DES DOMMAGES DIRECTS OU INDIRECTS, LES RESTRICTIONS CI-DESSOUS PEUVENT NE PAS ÊTRE APPLICABLES.

Cette garantie donne au consommateur des droits spécifiques, et celui-ci peut bénéficier d'autres droits, qui varient selon les états ou provinces.

Cette garantie couvre tous les produits d'extérieur RYOBI® fabriqués par Techtronic Industries North America, Inc., vendus aux États-Unis et au Canada.

Pour obtenir l'adresse du centre de réparations Ryobi agréé le plus proche, appeler le 1-800-860-4050.

INSTRUCCIONES DE SEGURIDAD IMPORTANTES



ADVERTENCIA:

Lea y comprenda todas las instrucciones. El incumplimiento de las instrucciones señaladas abajo puede causar descargas eléctricas, incendios y lesiones corporales serias.

LEA TODAS LAS INSTRUCCIONES

- Para la operación segura, lea y entienda todas las instrucciones antes de usar este producto. Familiarícese con todos los controles y la forma correcta de utilizar la máquina. Siga todas las instrucciones de seguridad. La inobservancia de todas las instrucciones de seguridad señaladas abajo puede causar lesiones corporales graves.
- No permita que utilicen esta unidad niños ni personas carentes de la debida instrucción para su manejo.
- Inspeccione a fondo el área donde piense utilizar el equipo y elimine todos los objetos extraños.
- Al utilizar esta herramienta, póngase protección para los ojos con protección lateral con la marca de cumplimiento de la norma ANSI Z87.1, así como protección para la cabeza.
- Vístase adecuadamente — Póngase pantalones largos de tela gruesa, mangas largas, botas y guantes. No se ponga ropa holgada o pantalones cortos o sandalias, ni ande descalzo. No se ponga joyas de ninguna clase.
- Recójase el cabello largo arriba del nivel de los hombros para evitar que se enrede en las piezas móviles.
- Mantenga alejados a los niños — Mantenga alejados a todos los circunstantes, niños y animales a una distancia mínima de 15 m (50 pies).
- Permanezca alerta — Preste atención a lo que esté haciendo y aplique el sentido común. No use esta unidad cuando se encuentre fatigado, enfermo, molesto o bajo los efectos del alcohol, drogas o medicamentos.
- No utilice la unidad en condiciones deficientes de iluminación.
- Utilice gafas de seguridad — Siempre use una careta o mascarilla contra el polvo si la operación genera mucho polvo.
- Desconecte aparatos — Quite la batería de aparato cuando no la tenga en uso, antes de dar servicio, o cambiar accesorios como la barra cadena.
- No estire el cuerpo para alcanzar más lejos — Mantenga los pies bien asentados y conserve el equilibrio en todo momento. Al tratar de hacerlo puede perder el equilibrio o exponerse al contacto con superficies calientes.
- Mantenga todas las partes del cuerpo alejadas de toda pieza en movimiento.
- Inspeccione cada vez la unidad antes de usarla para ver si tiene tornillos flojos, etc. Reemplace toda pieza dañada antes de utilizar la unidad.
- Cuando no está en uso, la sierra debe guardarse en el interior, en un lugar seco y cerrado con llave, lejos del alcance de los niños.
- Sólo utilice piezas de repuesto del fabricante original. De lo contrario puede originarse un mal desempeño de la herramienta y lesiones corporales, además de anularse la garantía.
- En ninguna circunstancia, use aditamento o accesorio alguno en este producto, que no se haya suministrado con el producto mismo, o que no esté identificado como apropiado para el uso con este producto en el manual del operador.
- Evite los entornos peligrosos de trabajo — No use el accesorio en lugares húmedos o mojados. No lo use en la lluvia.
- Utilice el aparato adecuado para la tarea — No utilice la producto para ninguna función diferente de las especificadas.
- No utilice la unidad al estar en las escaleras, una andamios, una tejado, un árbol o en un soporte inestable. Una postura estable sobre una superficie sólida permite un mejor control de la herramienta en situaciones inesperadas.
- No fuerce la producto. Es más eficaz y presenta menos riesgo de lesiones a la velocidad de trabajo para la que fué diseñada.
- **PELIGRO** — Mantenga las manos alejadas del área de corte. Mantenga ambas manos en los mangos al utilizar la unidad.
- **PRECAUCIÓN** — La hoja de corte continúa girando por inercia después de apagar la unidad.

INSTRUCCIONES DE SEGURIDAD IMPORTANTES

- Mantenga los mangos secos, limpios y sin aceite ni grasa.
- Revise para ver si hay piezas dañadas — Antes de seguir utilizando la producto, es necesario inspeccionar cuidadosamente toda protección o pieza dañada para determinar si funcionará correctamente y desempeñará la función a la que está destinada. Verifique la alineación de

las partes móviles, que no haya atoramiento de partes móviles, que no haya piezas rotas, el montaje de las piezas y cualquier otra condición que pudiera afectar su funcionamiento. Cualquier protección o pieza que esté dañada debe ser reparada apropiadamente o reemplazada en un centro de servicio autorizado, a menos que se indique otra cosa en este manual.

REGLAS DE SEGURIDAD ESPECÍFICAS

- El contragolpe es una reacción peligrosa de la herramienta que puede ocasionar lesiones serias. El contragolpe ocurre cuando la cadena en movimiento hace contacto con un objeto en la parte superior de la punta de la barra, o cuando la madera se cierra y pellizca la cadena en el punto de corte. El contacto de la parte superior de la punta de la barra con la madera puede causar que la cadena se clave en el material y se detenga instantáneamente. El resultado es una reacción súbita en dirección inversa, la cual lanza la barra guía hacia arriba y hacia atrás, en la dirección donde se encuentra el operador. Si resulta pellizcada la cadena en la parte superior de la barra guía, ésta puede impulsarse rápidamente hacia atrás, hacia el operador, lo cual puede causar una pérdida de control y posibles lesiones graves. No dependa exclusivamente de los dispositivos de seguridad incorporados en el producto.

Con un conocimiento básico del contragolpe de la sierra, puede reducir o incluso eliminar el elemento sorpresa. La sorpresa súbita contribuye a los accidentes.

- La sierra de pértiga sólo debe emplearse para cortar madera. Nunca utilice para cortar de materiales de construcción que no sean madera.
- Asegúrese de que no haya obstrucciones en el área donde esté cortando. No permita que la punta de la barra guía entre en contacto con ningún tronco, rama, cerca, o cualquier otra obstrucción al estar operando la sierra. Tenga un sendero planeado de la retirada.

- Corte solamente cuando al visibilidad y la luz sean adecuadas para ver claramente.
- Para protegerse de una posible electrocución, no trabaje a menos de 15 metros (50 pies) de cables eléctricos aéreos.
- Antes de arrancar el motor, asegúrese de que no esté tocando ningún objeto la cadena.
- Para protegerse contra ramas que caen, no se pare directamente debajo de la rama que se esté cortando. Esta unidad no debe sostenerse a un ángulo superior a 60° sobre el nivel del suelo.
- Apague el motor y asegúrese de que el aditamento de corte se haya detenido antes de dejar la unidad en reposo.
- Siga las instrucciones de afilado y mantenimiento correspondientes a la cadena de la sierra.
- Sólo use las barras guía y las cadenas de contragolpe moderado de repuesto especificadas para la unidad.
- ¡No opere el vio con una mano! La herida grave al operario, a los ayudantes, a los espectadores, o a cualquier combinación de estas personas puede los resultados de una operación de mano. Esto vio destinado para el uso a dos manos.
- Tenga extrema precaución al cortar broza pequeña y árboles jóvenes, ya que el material delgado puede atraparse en la cadena de la sierra y puede latigear hacia usted o desequilibrarlo.
- Al cortar una rama que esté bajo tensión, esté alerta al impulso de regreso de la misma, de manera que no le pegue cuando se libere la tensión presente en las fibras de la madera.

REGLAS DE SEGURIDAD ESPECÍFICAS

- Para evitar un arranque accidental; nunca traslade la unidad con la paquete de baterías instalado o el dedo en el gatillo del interruptor.
- Dé mantenimiento con cuidado a le producto — Mantenga afilado el filo de corte y límpielo para lograr un desempeño óptimo de la unidad y para reducir el riesgo de lesiones. Siga las instrucciones correspondientes al cambio y lubricación de accesorios. Inspeccione periódicamente el cable del cargador de la batería, y si está dañado, permita que lo cambien o lo reparen en un establecimiento de servicio autorizado.
- Mantenga los mangos secos, limpios y sin aceite ni grasa.
- Sólo personal de reparación calificado debe dar servicio al producto. Todo servicio o mantenimiento efectuado por personal no calificado puede significar un riesgo de lesiones al usuario, y de daños físicos al producto.
- Las herramientas de baterías no necesitan conectarse a una toma de corriente; por lo tanto, siempre están en condiciones de funcionamiento. Esté consciente de los posibles peligros incluso si no está encendida la unidad.
- Retire el paquete de baterías de la sierra de pértiga antes de limpiar, dar servicio, guardar, quitar material, cambiar accesorios (como la barra y la cadena) a la unidad, o cuando no la tenga en uso.
- Sólo debe cargarse el paquete de baterías con el cargador especificado para el mismo. Un cargador que puede ser adecuado para un tipo paquete de baterías puede significar un riesgo de incendio si se emplea con otro paquete de baterías. Cargue el paquete de baterías solamente con el cargador indicado.
- Para utilizar con paquetes de baterías de níquel-cadmio de 18 V o de iones de litio de 18 V, consulte el folleto de la herramienta/aparato/ paquete de baterías/cargador complementario 987000-432.
- Con el fin de reducir el riesgo de explosiones y lesiones, no coloque las unidades de baterías ni las baterías mismas cerca del fuego o del calor.
- No abra ni dañe el paquete de baterías. El electrolito emitido es corrosivo y puede causar daños en los ojos y en la piel. Puede ser tóxico si se ingiere.
- No cargue la aparato en en la lluvia o en lugares húmedos.
- No cargue la unidad en lugares mojados o húmedos. Con el cumplimiento de esta regla se reduce el riesgo de una descarga eléctrica.
- No deseche las baterías en el fuego. Pueden estallar las baterías. Las baterías deben reciclarse; consulte a las autoridades locales reguladoras de los desechos para obtener información en relación con las alternativas de reciclado y desecho disponibles.
- Tenga cuidado cuando maneje baterías a fin de no realizar un cortocircuito. Cuando no esté usando el paquete de baterías, manténgalo alejado de todo objeto metálico como: clips, monedas, llaves, clavos, tornillos y otros objetos metálicos pequeños que puedan establecer conexión entre ambas terminales. Establecer una conexión directa entre las dos terminales del paquete de baterías puede causar chispas, quemaduras o incendios.
- Guarde estas instrucciones. Consúltelas con frecuencia y empléelas para instruir a otras personas que puedan utilizar este producto. Si presta a alguien este producto, facilítele también las instrucciones con el fin de evitar un uso indebido del producto y posibles lesiones.




REGLAS DE SEGURIDAD ESPECÍFICAS

- Para evitar un arranque accidental; nunca traslade la unidad con la paquete de baterías instalado o el dedo en el gatillo del interruptor.
- Dé mantenimiento con cuidado a le producto — Mantenga afilado el filo de corte y límpielo para lograr un desempeño óptimo de la unidad y para reducir el riesgo de lesiones. Siga las instrucciones correspondientes al cambio y lubricación de accesorios. Inspeccione periódicamente el cable del cargador de la batería, y si está dañado, permita que lo cambien o lo reparen en un establecimiento de servicio autorizado.
- Mantenga los mangos secos, limpios y sin aceite ni grasa.
- Sólo personal de reparación calificado debe dar servicio al producto. Todo servicio o mantenimiento efectuado por personal no calificado puede significar un riesgo de lesiones al usuario, y de daños físicos al producto.
- Las herramientas de baterías no necesitan conectarse a una toma de corriente; por lo tanto, siempre están en condiciones de funcionamiento. Esté consciente de los posibles peligros incluso si no está encendida la unidad.
- Retire el paquete de baterías de la sierra de pértiga antes de limpiar, dar servicio, guardar, quitar material, cambiar accesorios (como la barra y la cadena) a la unidad, o cuando no la tenga en uso.
- Sólo debe cargarse el paquete de baterías con el cargador especificado para el mismo. Un cargador que puede ser adecuado para un tipo paquete de baterías puede significar un riesgo de incendio si se emplea con otro paquete de baterías. Cargue el paquete de baterías solamente con el cargador indicado.
- Para utilizar con paquetes de baterías de níquel-cadmio de 18 V o de iones de litio de 18 V, consulte el folleto de la herramienta/aparato/ paquete de baterías/cargador complementario 987000-432.
- Con el fin de reducir el riesgo de explosiones y lesiones, no coloque las unidades de baterías ni las baterías mismas cerca del fuego o del calor.
- No abra ni dañe el paquete de baterías. El electrolito emitido es corrosivo y puede causar daños en los ojos y en la piel. Puede ser tóxico si se ingiere.
- No cargue la aparato en en la lluvia o en lugares húmedos.
- No cargue la unidad en lugares mojados o húmedos. Con el cumplimiento de esta regla se reduce el riesgo de una descarga eléctrica.
- No deseche las baterías en el fuego. Pueden estallar las baterías. Las baterías deben reciclarse; consulte a las autoridades locales reguladoras de los desechos para obtener información en relación con las alternativas de reciclado y desecho disponibles.
- Tenga cuidado cuando maneje baterías a fin de no realizar un cortocircuito. Cuando no esté usando el paquete de baterías, manténgalo alejado de todo objeto metálico como: clips, monedas, llaves, clavos, tornillos y otros objetos metálicos pequeños que puedan establecer conexión entre ambas terminales. Establecer una conexión directa entre las dos terminales del paquete de baterías puede causar chispas, quemaduras o incendios.
- Guarde estas instrucciones. Consúltelas con frecuencia y empléelas para instruir a otras personas que puedan utilizar este producto. Si presta a alguien este producto, facilítele también las instrucciones con el fin de evitar un uso indebido del producto y posibles lesiones.

GUARDE ESTAS INSTRUCCIONES

SÍMBOLOS

Las siguientes palabras de señalización y sus significados tienen el objeto de explicar los niveles de riesgo relacionados con este producto.

SÍMBOLO	SEÑAL	SIGNIFICADO
	PELIGRO:	Indica una situación peligrosa inminente, la cual, si no se evita, causará la muerte o lesiones serias.
	ADVERTENCIA:	Indica una situación peligrosa posible, la cual, si no se evita, podría causar la muerte o lesiones serias.
	PRECAUCIÓN:	Indica una situación potencialmente peligrosa la cual, si no se evita, puede causar lesiones leves o moderadas.
	AVISO:	(Sin el símbolo de alerta de seguridad) Indica información importante no relacionada con ningún peligro de lesiones, como una situación que puede ocasionar daños físicos.

CARACTERÍSTICAS

ESPECIFICACIONES DEL PRODUCTO

Motor	18 voltios C.C.
Longitud de la barra	203 mm (8 pulg.)
Capacidad de corte	152 mm (6 pulg.)
Paso de la cadena	9,5 mm (3/8 pulg.)
Tipo de cadena	Corte angosto de dientes de salto de bajo perfil
Peso	3,6 kg (8 lb.)

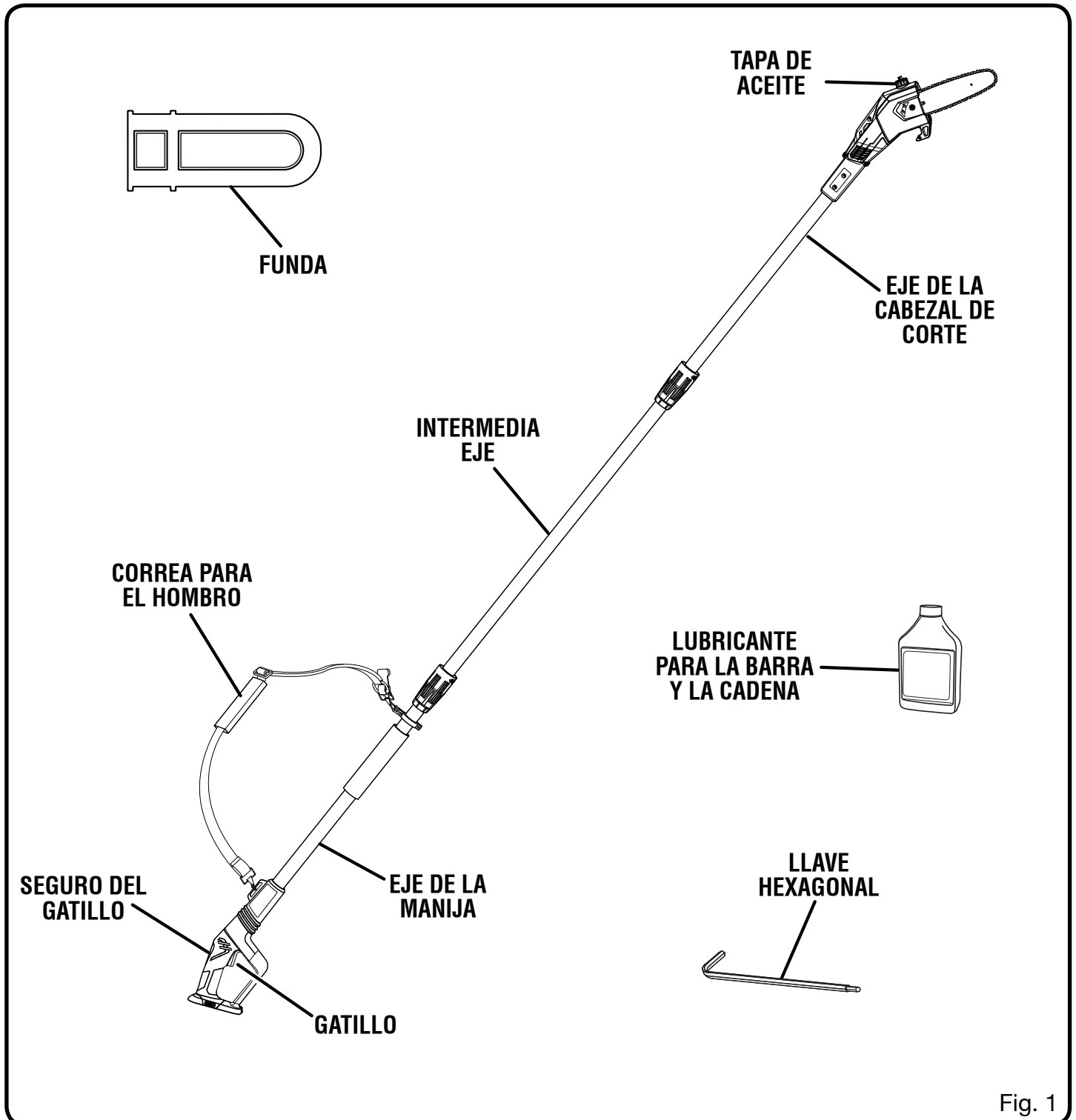


Fig. 1

CARACTERÍSTICAS

FAMILIARÍCESE CON SU SIERRA DE PÉRTIGA

Vea la figura 1.

Para usar este producto con la debida seguridad se debe comprender la información indicada en la producto misma y en este manual, y se debe comprender también el trabajo que intenta realizar. Antes de usar este producto, familiarícese con todas las características de funcionamiento y normas de seguridad del mismo.

INDICADOR DE NIVEL DE ACEITE

Es un tanque del lubricador de la cadena semitransparente que permite ver cuándo reabastecerlo de lubricante.

FUNDA

La funda impide que el operador toque las afiladas hojas cuando no tenga en uso la herramienta. También ayuda a impedir que las las hojas resulten melladas o dañadas cuando está guardada la herramienta.

SEGURO DEL GATILLO

El seguro del gatillo impide un arranque accidental de la herramienta.

ARMADO

DESEMPAQUETADO

Este producto requiere armarse.

- Extraiga cuidadosamente de la caja el producto y los accesorios. Asegúrese de que estén presentes todos los artículos enumerados en la lista de empaquetado.

ADVERTENCIA:

No utilice este producto si alguna pieza incluida en la lista de empaquetado) ya está ensamblada al producto cuando lo desempaqueta. El fabricante no ensambla las piezas de esta lista en el producto. Éstas deben ser instaladas por el usuario. El uso de un producto que puede haber sido ensamblado de forma inadecuada podría causar lesiones personales graves.

- Inspeccione cuidadosamente el producto para asegurarse de que no haya sufrido ninguna rotura o daño durante el transporte.
- No deseche el material de empaquetado hasta que haya inspeccionado cuidadosamente el producto y la haya utilizado satisfactoriamente.

- Si hay piezas dañadas o faltantes, le suplicamos llamar al 1-800-860-4050, donde le brindaremos asistencia.

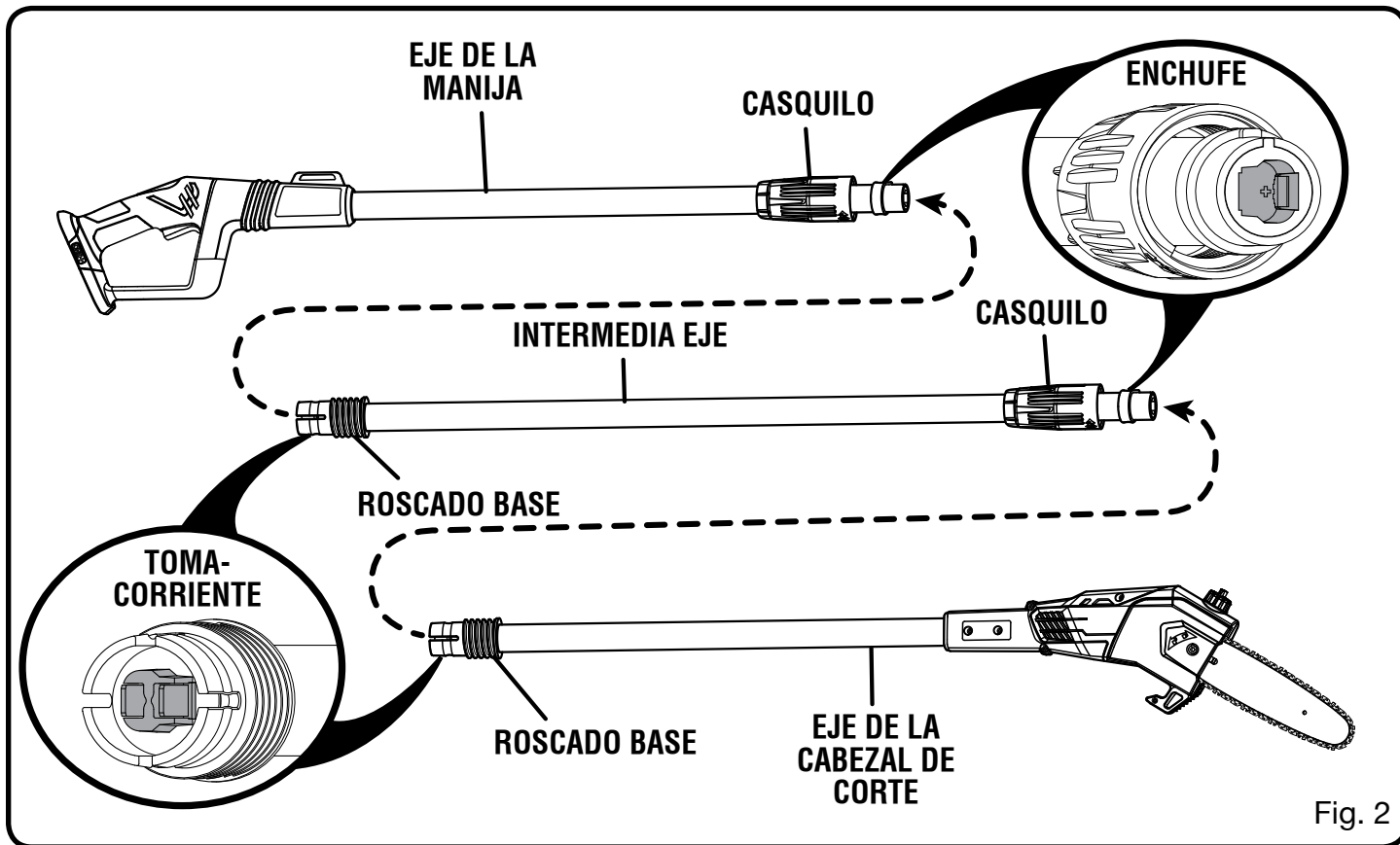
LISTA DE EMPAQUETADO

Eje de la cabezal de corte
Intermedia eje
Eje de la manija
Funda
Llave hexagonal
Lubricante para la barra y la cadena
Correa para el hombro
Manual del operador

ADVERTENCIA:

Si falta o está dañada alguna pieza, no utilice este producto sin haber reemplazado la pieza. Usar este producto con partes dañadas o faltantes puede causar lesiones serias al operador.

ARMADO



⚠ ADVERTENCIA:

No intente modificar este producto ni hacer accesorios no recomendados para la misma. Cualquier alteración o modificación constituye maltrato el cual puede causar una condición peligrosa, y como consecuencia posibles lesiones corporales serias.

⚠ ADVERTENCIA:

Para evitar un arranque accidental que podría causar lesiones corporales graves, siempre desconecte el cable de la bujía del motor de la bujía misma al ensamblar las piezas.

CÓMO ACOPLAR EL MANGO

Vea la figura 2.

- Inserte el enchufe de la barra intermedia en el tomacorriente de la barra mango y presiónelos el uno contra el otro hasta que encajen por completo. El enchufe es más grande de un lado y únicamente puede instalarse en una dirección.

- Baje el casquillo de la pértiga del mango hasta la base roscada de la pértiga intermedia y gírelo a la derecha para asegurarlo.
- Repita este procedimiento para conectar la pértiga intermedia al eje de la cabezal de corte.

NOTA: Una vez que se han ensamblado correctamente la barra del mango y al eje de la cabezal de corte, no deberán separarse de la barra intermedia cuando está tirado. Repita los pasos encima si las barras se separan de la barra intermedia.

⚠ ADVERTENCIA:

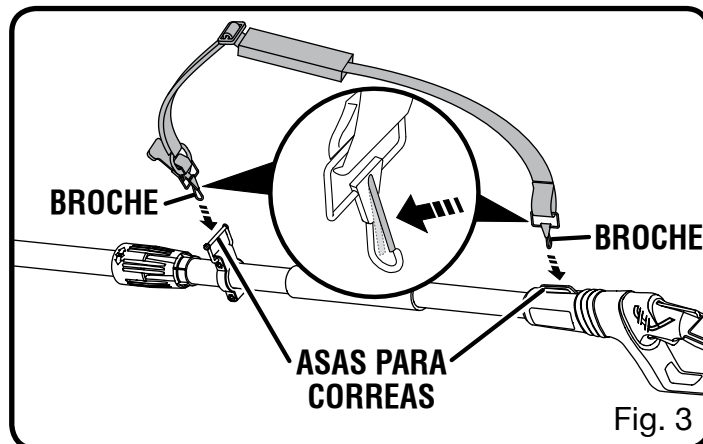
No montar y trabar todas las barras como se indicó anteriormente puede hacer que las barras se separen y causar lesiones personales graves o la muerte.

ARMADO

MONTAJE DE LA CORREA PARA EL HOMBRO

Vea la figura 3.

- Enganche los broches del arnés para los hombros en las asas para correas.
- Ajuste la correa para dejarla en una posición cómoda.



FUNCIONAMIENTO

⚠ PELIGRO:

Nunca couper cerca de líneas de corriente, cordón eléctrico o de otras fuentes eléctricas. Si mermeladas de barra y cadena en alguna cordón del eléctrica o líneas, ¡NO TOQUE LA BARRA NI LA CADENA! PUEDE CARGARSE DE ELECTRICIDAD Y SER MUY PELIGROSA. Continúe sujetando la eléctrica sierra de pértiga por el mango trasero, el cual está aislado, o déjela reposar lejos de usted, de alguna forma segura. Desconecte el servicio de corriente eléctrica conectado a la línea o cordón dañado antes de intentar liberar de éste(a) la hoja. Contacte con la barra, la cadena, otras partes conductivas de la eléctrica sierra de pértiga, o viven cordón eléctrico o líneas eléctricas puede producir la muerte por electrocución o lesiones serias.

⚠ ADVERTENCIA:

No permita que su familiarización con este producto le vuelva descuidado. Tenga presente que un descuido de un instante es suficiente para infligir una lesión grave.

⚠ ADVERTENCIA:

Siempre póngase protección ocular con protección lateral con la marca de cumplimiento de la norma ANSI Z87.1, así como protección para los oídos y la cabeza. La inobservancia de esta advertencia puede permitir que los objetos lanzados hacia los ojos y otros provocarle lesiones graves.

⚠ ADVERTENCIA:

No utilice ningún aditamento o accesorio no recomendado por el fabricante de este producto. El empleo de aditamentos o accesorios no recomendados podría causar lesiones serias.

Antes de cada uso, inspeccione todo el producto para detectar partes dañadas, faltantes o sueltas, como tornillos, tuercas, pernos, tapas, etc. Apriete firmemente todos los sujetadores y las tapas y no accione este producto hasta que todas las partes faltantes o dañadas sean reemplazadas. Llame al 1-800-860-4050 o comuníquese con un centro de servicio autorizado para recibir asistencia.

FUNCIONAMIENTO

APLICACIONES

Este producto puede emplearse para los fines enumerado abajo:

- Desramado
- Poda

ABASTECIMIENTO DE LUBRICANTE PARA LA BARRA Y LA CADENA

Vea la figura 4.

Use lubricante para barra y cadena. Está diseñado para las cadenas y los sistemas de lubricación de las mismas, y está formulado para desempeñarse en una amplia gama de temperaturas sin requerir ninguna dilución.

NOTA: La sierra de pértiga viene de la fábrica con la barra y la cadena sin lubricante. También se debe verificar el nivel después de cada 20 minutos de uso y reabastecerlo según sea necesario.

- Retire la tapa del tanque de aceite de la cadena.
- Cuidadosamente vierta el lubricante para la barra y la cadena en el tanque correspondiente.
- Limpie el aceite sobrante.
- Revise el tanque de aceite y reabastézcalo cuando el indicador de nivel esté abajo de la penúltima línea indicadora.
- Repita el proceso según sea necesario.

NOTA: No use aceite sucio, usado o contaminado de ninguna forma. Puede dañarse la barra o la cadena.

NOTA: Es normal que el aceite se escurra de la sierra cuando no está ésta en uso. Para evitar el escurrimiento, vacíe el tanque de aceite cada vez después de usar la unidad y después póngalo a funcionar durante un minuto. Al guardar la unidad durante un largo período de tiempo (tres meses o más), asegúrese de lubricar ligeramente la cadena; de esta manera se evita la oxidación de la cadena y de la rueda dentada de la barra.

PARA DESMONTAR Y MONTAR EL PAQUETE DE BATERÍAS

Vea la figura 5.

ADVERTENCIA:

Retire siempre el paquete de baterías de la herramienta antes de instalar las piezas, realizar ajustes. Limpiarla o cuando no la utilice. Retirar el paquete de baterías evitará que la unidad se accione accidentalmente y provoque lesiones graves.

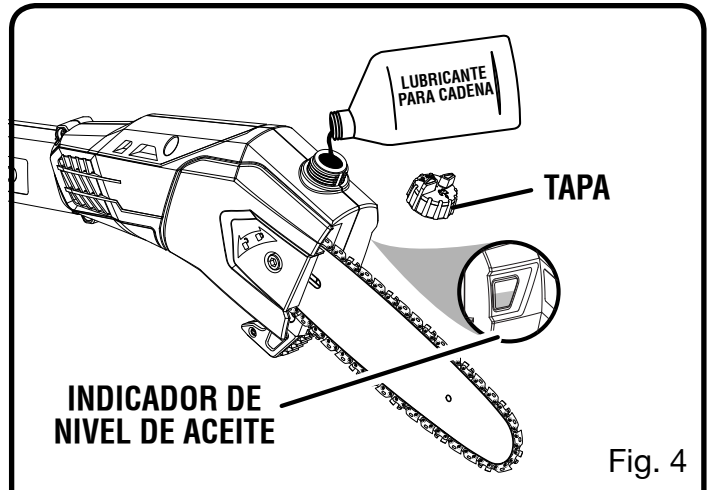


Fig. 4

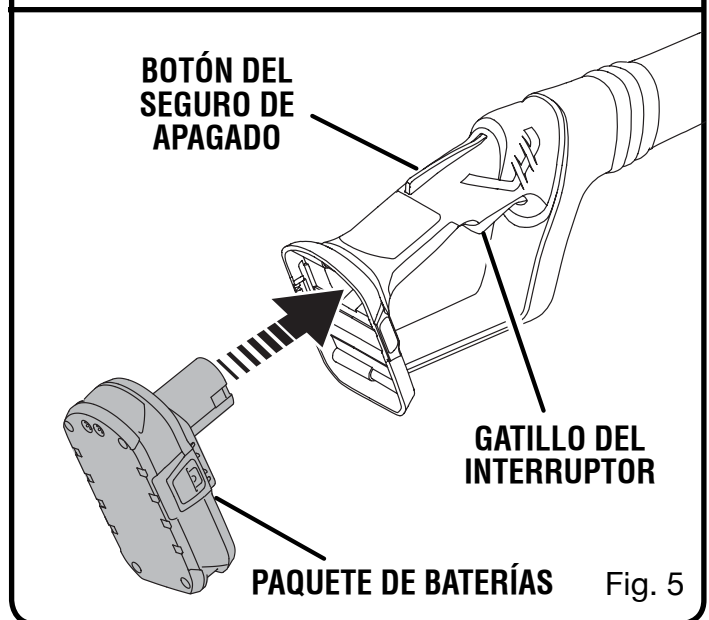


Fig. 5

NOTA: Para evitar lesiones corporales serias, siempre desmonte de la herramienta el paquete de baterías y mantenga manos vacías del botón del seguro al llevar herramienta.

Para conectar:

- Coloque el paquete de baterías en la sierra de pértiga. Alinee la costilla realzada del paquete de baterías con la ranura interior del receptáculo para baterías de la sierra de pértiga.
- Asegúrese de que los pestillos situados en ambos lados del paquete de baterías entren completamente en su lugar con un chasquido y de que el paquete quede bien fijo en la sierra de pértiga antes de empezar a utilizar la unidad.

Para el desmontaje:

Oprima los pestillos situados en ambos lados del paquete de baterías para soltar éste de la sierra de pértiga.

FUNCIONAMIENTO

ARRANQUE Y APAGADO

Vea las figuras 5 y 6.

Para arrancar el motor:

- Sujete la sierra de pértiga como se muestra y asegúrese de estar alejado de cualquier cosa que pueda tocar la hoja de corte.
- Oprima y no suelte el seguro del gatillo.
- Oprima el gatillo del interruptor.

Apagar el motor:

- Suelte el gatillo cuando desee apagar la sierra de pértiga. Al soltar el gatillo, el seguro del gatillo regresa automáticamente a la posición de aseguramiento.

PREPARACIÓN PARA EL CORTE

Vea las figuras 7 y 8.

- Póngase guantes antideslizantes para lograr la máxima capacidad de sujeción y protección.
- Mantenga una sujeción adecuada de la sierra siempre que esté funcionando el motor. Con la mano derecha sujete firmemente el mango posterior mientras sujeta firmemente el mango delantero con la izquierda.
- Sujete la sierra firmemente con ambas manos. Siempre mantenga la mano izquierda en el mango del frente y la mano derecha en el mango posterior, de manera que su cuerpo quede a la izquierda del plano de la cadena. Nunca use sujeción a zurdas (con la posición de las manos intercambiada), ni con el cuerpo en ninguna postura que pueda colocar el mismo o el brazo a través del plano de la cadena.
- Nunca se pare directamente abajo de la rama que va a cortar.
- Asegúrese de que esté bien apretada la casquillo antes de utilizar el equipo; verifique periódicamente el apriete de los mismos durante el uso para evitar lesiones graves.

PROCEDIMIENTO BÁSICO DE CORTE

Siga los pasos descritos abajo para evitar dañar la corteza del árbol o arbusto. No realice un movimiento de vaivén como en el aserrado.

- Primero efectúe un corte superficial (1/4 del diámetro de la rama) en el lado inferior de la rama, cerca de la rama progenitora o del tronco.
- Realice el segundo corte en el lado superior de la rama, por el lado exterior del primer corte con respecto al tronco. Continúe el corte a través

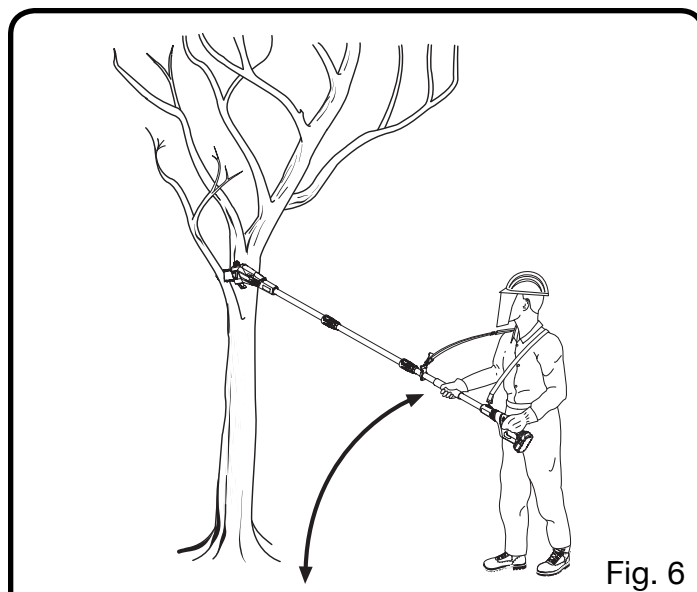


Fig. 6

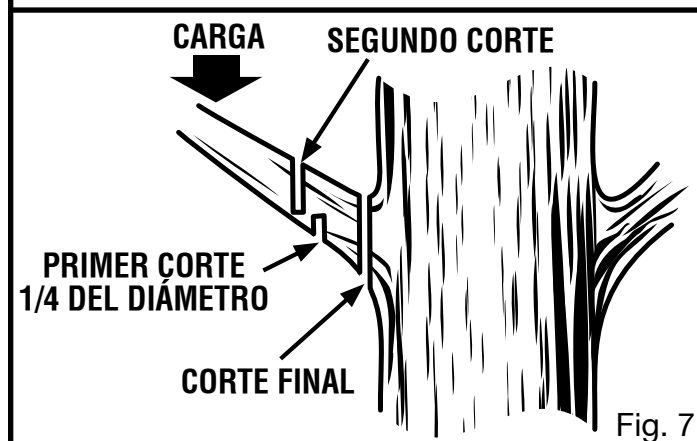


Fig. 7

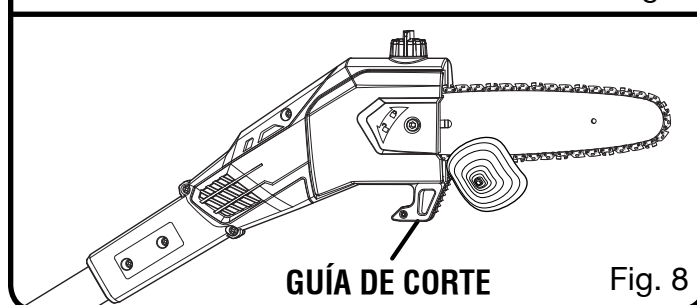


Fig. 8

de la rama, hasta que se separe del árbol. Esté preparado para equilibrar el peso de la herramienta cuando se caiga la rama.

- Efectúe el corte final cerca del tronco.

NOTA: Para los cortes segundo y final (por la parte superior de la rama), sostenga la guía de corte del frente contra la rama que se está cortando. Esto ayuda a evitar que se mueva la rama y facilita el corte. Permita que la cadena efectúe el corte; sólo aplique una leve presión hacia abajo. Si fuerza el corte, puede dañarse la barra, la cadena o el motor.

FUNCIONAMIENTO

- Suelte el gatillo tan pronto como se termine el corte.

Si no se sigue el procedimiento correcto de corte, la barra y la cadena se atorán y quedan pellizcadas o atrapadas en la rama. Si sucede esto:

- Apague el motor y retire el paquete de baterías.
- Si la rama se puede alcanzar desde el suelo, levante la rama mientras se sostiene el sierra. De esta manera se afloja el “pellizcamiento” y se libera la sierra.
- Si la sierra aún sigue atorada, solicite la ayuda de un profesional.

DESRAMADO Y PODA

Veá las figuras 9 y 10.

Esta unidad se diseñó para podar pequeñas ramas hasta de 152 mm (6 pulg.) de diámetro. Para obtener mejores resultados, observe las siguientes precauciones.

- Planifique cuidadosamente el corte. Tenga en cuenta la dirección en que caerá la rama.
- Las ramas pueden caer en direcciones inesperadas. No se pare directamente bajo la rama que está cortando.
- El corte más común es colocando la unidad a un ángulo de 60° o menos, según cada situación en particular, como se demuestra. Conforme aumenta el ángulo del brazo de la sierra con respecto al suelo, aumenta la dificultad para efectuar el primer corte (por la parte inferior de la rama).
- Corte en varias etapas las ramas largas.
- Corte primero las ramas inferiores para dar más espacio para la caída de las ramas superiores.
- Trabaje lentamente, manteniendo ambas manos en la sierra y sujetándola firmemente. Mantenga bien apoyados los pies y bien equilibrado el cuerpo.
- Mantenga el árbol entre usted y la cadena mientras realice el desramado. Corte la rama desde el lado opuesto del árbol.
- No realice tareas de corte subido en una escalera, ya que es extremadamente peligroso. Deje tal operación a los profesionales.

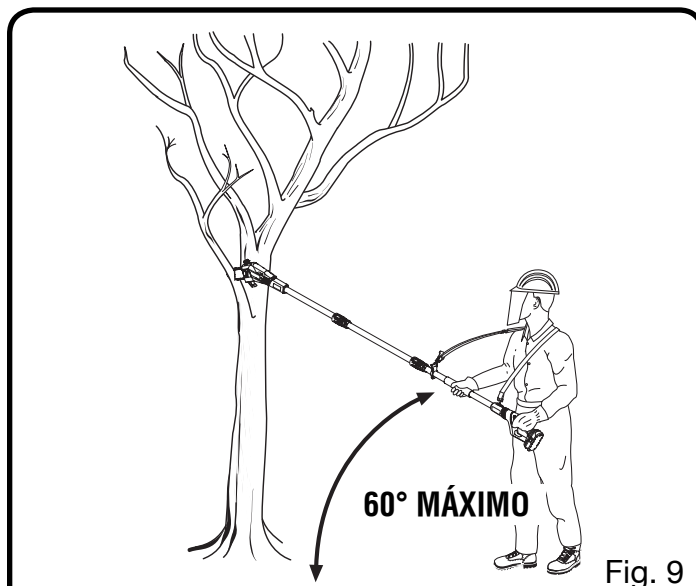


Fig. 9

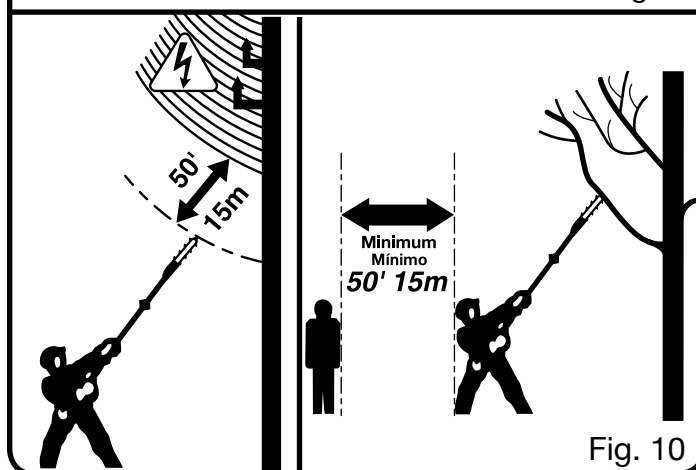


Fig. 10

- No realice el corte de una rama junto a la rama o tronco de donde sale, sino hasta que haya recortado la primera para reducir el peso de la misma. Si se siguen los procedimientos de corte correctos se evita desprender la corteza del miembro progenitor.
- No utilice la sierra para tala ni para tronzar.
- Para protegerse de una posible electrocución, no trabaje a menos de 15 m (50 pies) de cables eléctricos aéreos.
- Mantenga a los circunstantes a una distancia mínima de 15 m (50 pies).

MANTENIMIENTO

⚠️ ADVERTENCIA:

Al dar servicio a la unidad, sólo utilice piezas de repuesto idénticas. El empleo de piezas diferentes puede causar un peligro o dañar el producto.

⚠️ ADVERTENCIA:

Siempre póngase protección ocular con protección lateral con la marca de cumplimiento de la norma ANSI Z87.1, así como protección para los oídos y la cabeza. La inobservancia de esta advertencia puede permitir que los objetos lanzados hacia los ojos y otros provocarle lesiones graves.

⚠️ ADVERTENCIA:

Antes de inspeccionar, limpiar o dar servicio a la unidad, apague el motor, espere a que se detengan todas las piezas en movimiento, y retire el paquete de baterías. El incumplimiento de cualquiera de estas instrucciones puede causar lesiones serias.

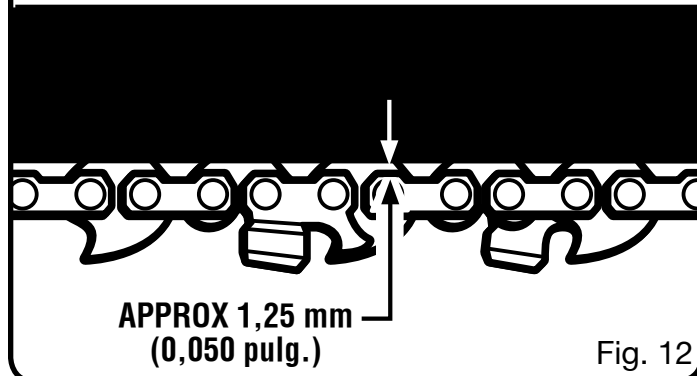
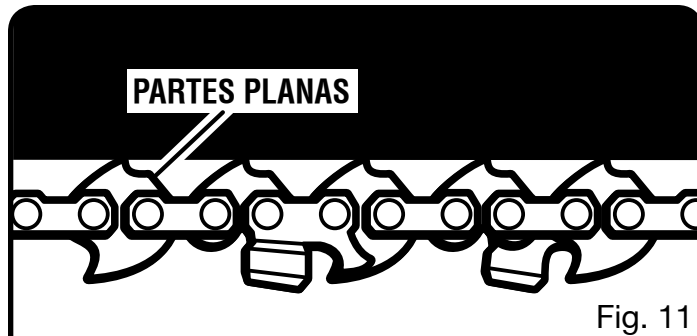
MANTENIMIENTO GENERAL

Evite el empleo de solventes al limpiar piezas de plástico. La mayoría de los plásticos son susceptibles a diferentes tipos de solventes comerciales y pueden resultar dañados. Utilice paños limpios para eliminar la suciedad, el polvo, el aceite, la grasa, etc.

⚠️ ADVERTENCIA:

No permita en ningún momento que fluidos para frenos, gasolina, productos a base de petróleo, aceites penetrantes, etc., lleguen a tocar las piezas de plástico. Las sustancias químicas pueden dañar, debilitar o destruir el plástico, lo cual a su vez puede producir lesiones corporales serias.

Todas las tareas de servicio de la sierra de pértiga, aparte de los puntos indicados en las instrucciones de mantenimiento del manual de instrucciones, deben ser efectuadas por técnicos de servicio de sierra de pértiga competentes. (Por ejemplo, si se utiliza la herramienta inadecuada para sostener



el volante a fin de retirar el embrague, pueden causarse daños estructurales al volante, lo cual a su vez puede originar el estallido del mismo).

TENSIÓN DE LA CADENA

Vea las figuras 11 y 12.

⚠️ ADVERTENCIA:

Para evitar posibles lesiones graves, nunca toque o ajuste la cadena al estar funcionando el motor. La cadena de la sierra está sumamente afilada; siempre póngase guantes protectores al efectuar labores de mantenimiento de la cadena.

- Apague el motor y retire el paquete de baterías antes de ajustar la tensión de la cadena. Asegúrese de que estén flojas para apretarse con la mano la tornillo de la tapa de la cadena; gire hacia la derecha el tensador de la cadena para tensar ésta. Para obtener más información consulte la sección **Cómo reemplazar la barra y la cadena**.

NOTA: La cadena, estando fría, está bien tensada cuando no hay holgura de la misma en la parte inferior de la barra guía, la cadena se siente bien ajustada en la barra, y puede avanzarse con la mano sin ningún atoramiento.

MANTENIMIENTO

- La cadena debe volver a tensarse cada vez que las partes planas de los eslabones de impulsión sobresalen suspendidos de la ranura de la barra, como se muestra en la figura 11.
- Durante el funcionamiento normal aumenta la temperatura de la sierra. Si la cadena está bien tensada, estando caliente los eslabones de impulsión sobresalen suspendidos de la ranura de la barra aproximadamente 1,27 mm (0,050 pulg.), como se muestra en la figura 12.

NOTA: Las cadenas nuevas tienden a estirarse; revise frecuentemente la tensión de la cadena y tense ésta según se requiera.

AVISO:

Si se tensa la cadena estando ésta caliente, puede quedar demasiado apretada al enfriarse. Revise la “tensión en frío” de la cadena, antes de usar la sierra.

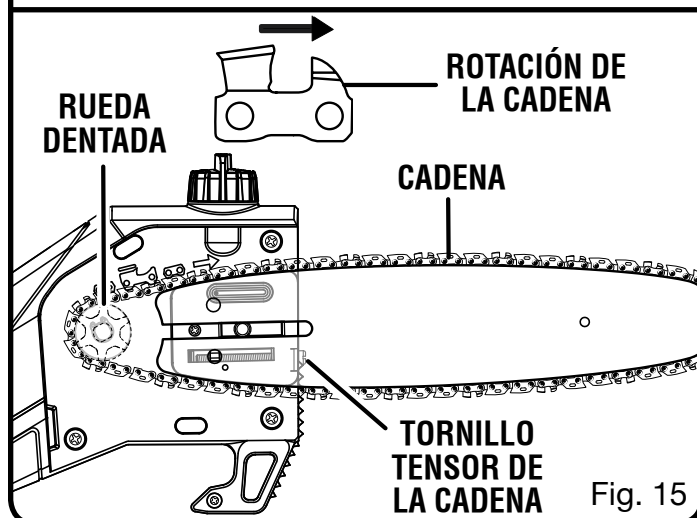
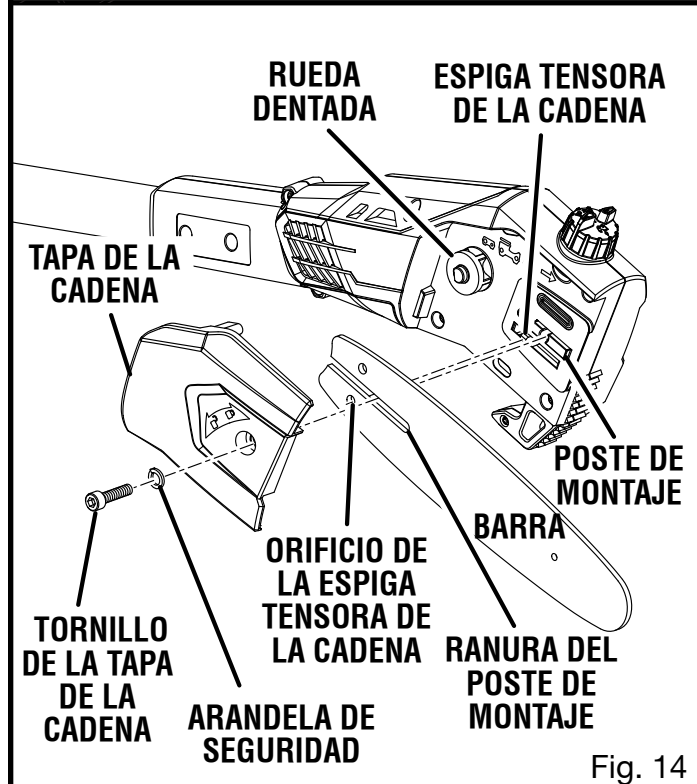
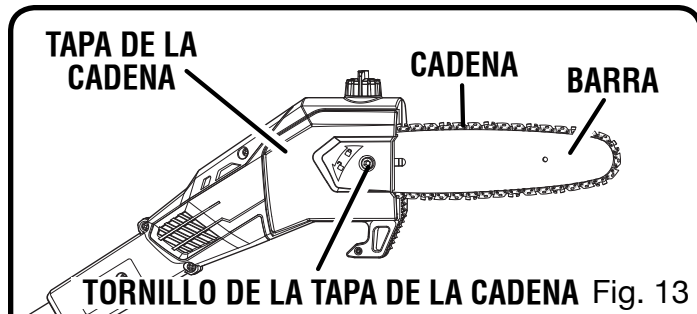
REEMPLAZO LA BARRA Y CADENA

Vea las figuras 13 a 16.

⚠ ADVERTENCIA:

Para evitar posibles lesiones graves, apague el motor y retire el paquete de baterías antes cambiar la barra, la cadena o realizar cualquier operación de mantenimiento.

- Con la llave hexagonal suministrada, retirar el tornillo y la rondana de la tapa de la cadena, así como dicha tapa.
- La barra contiene una ranura que encaja en el poste de montaje. La barra también tiene un orificio de la espiga tensora de la cadena que queda sobre la espiga tensora de la cadena.
- Coloque la barra sobre el poste de montaje de modo que la espiga tensora de la cadena quede dentro del orificio para la misma.
NOTA: Si es necesario, rote el tornillo de tensión de la cadena en sentido antihorario hasta que se puedan alinear el pasador y el orificio.
- Acomode la cadena sobre la rueda dentada y dentro de la ranura de la barra. Los dientes de corte situados en la parte superior de la barra deben estar orientados hacia la punta de la barra, en la dirección de rotación de la cadena.



- Vuelva a colocar la cubierta de la cadena y vuelva a instalar la arandela y el tornillo. Apriete sólo con la mano el tornillo. La barra debe quedar libre para moverse para el ajuste de la tensión.

MANTENIMIENTO

- Elimine toda la holgura de la cadena girando el tornillo tensor en el sentido de las manecillas del reloj, asegurándose que la cadena asienta dentro de la ranura de la barra durante el tensionado.
- Apriete firmemente la tornillo de la tapa de la cadena.

NOTA: La cadena está tensada correctamente cuando no hay holgura de la misma en la parte inferior de la barra, la cadena se siente bien ajustada en la barra, y puede avanzarse con la mano sin ningún atoramiento de aquélla.

Si queda demasiado ajustada la cadena, no podrá desplazarse. Afloje levemente la tornillo de la tapa de la cadena y gire 1/4 de vuelta hacia la izquierda el tornillo de ajuste de la tensión. Apretar firmemente la tornillo de la tapa de la cadena.

LUBRICADOR DE LA CADENA

Vea la figura 17.

- Use el lubricante Premium para la barra y la cadena. Está diseñado para las cadenas y los sistemas de lubricación de las mismas, y está formulado para desempeñarse en una amplia gama de temperaturas sin requerir ninguna dilución.
- Retire la tapa y vierta cuidadosamente aproximadamente 6 cl (2 onzas) de lubricante para la barra y la cadena en el tanque del lubricador de la cadena.
- Vuelva a colocar la tapa y apriétela firmemente.
- Revise y vuelva a llenar el tanque de lubricante para barra cada vez que utilice la sierra de pértiga.

NOTA: No use lubricante sucio, usado o contaminado de ninguna forma. Puede dañarse la bomba de aceite, la barra o la cadena.

MANTENIMIENTO DE LA CADENA

Vea la figura 18.

Para poder dar un corte liso y rápido, la cadena necesita recibir un mantenimiento adecuado. Las siguientes circunstancias indican que la cadena necesita afilarse:

- Las virutas de madera son pequeñas y polvorientas
- La cadena debe forzarse por la madera durante el corte

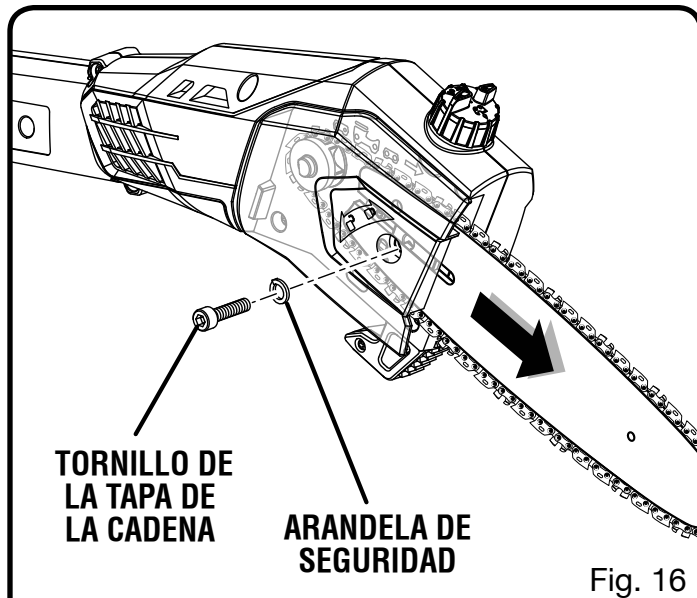


Fig. 16

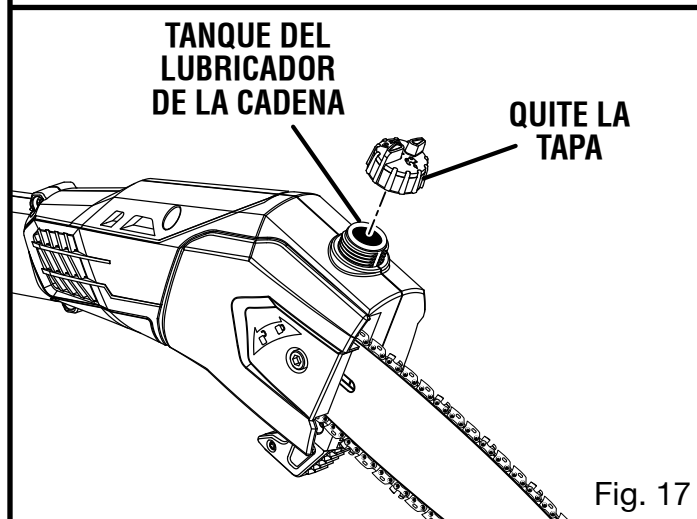


Fig. 17

ESPACIO LIBRE DE LOS DIENTES LIMPIADORES (CALIBRES DE PROFUNDIDAD)

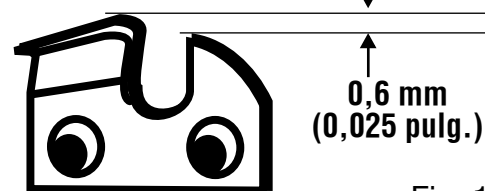


Fig. 18

- La cadena corta hacia un lado
- Durante el mantenimiento de la sierra considere lo siguiente:
- Un ángulo incorrecto de limadura de la placa lateral puede aumentar el riesgo de un contragolpe violento.

MANTENIMIENTO

- El ajuste de la profundidad determina la profundidad a la que el diente de corte entra en la madera y el tamaño de la viruta de madera que se quita. Demasiado claro aumenta el peligro de contragolpe. Muy poco claro disminuye el tamaño de los pedazos de madera, disminuyendo la habilidad de corte de la cadena.
- Si los dientes de corte han tocado objetos duros como clavos y piedras, o han sido desgastados por el lodo o la arena presentes en la madera, permita que afilen la cadena en un establecimiento de servicio apropiado para la tarea.

FORMA DE AFILAR LOS DIENTES DE CORTE

Veá las figuras 19 a 22.

Tenga cuidado de afilar todos los dientes de corte a los ángulos especificados y a la misma longitud, ya que sólo puede lograrse un corte rápido cuando están uniformes todos los dientes de corte.

- Apriete lo suficiente la tensión de la cadena para que ésta no tiemble. Efectúe toda la limadura en el punto medio de la barra. Siempre póngase guantes para su protección.
- Use una lima redonda de 5/32 pulg. de diámetro con mango.
- Mantenga la lima al nivel de la placa superior de los dientes de corte. No permita que la lima se incline ni se balancee.
- Con presión leve pero firme, pase la lima por el diente, hacia la esquina delantera del mismo. Levante la lima para separarla del acero en cada movimiento de regreso.
- Dé unas pocas pasadas firmes a cada diente de corte. Lime todos los dientes de corte izquierdos en una dirección. Después lleve la lima al otro lado y lime los dientes de corte derechos en la dirección opuesta. Ocasionalmente, con un cepillo de alambre limpie las limaduras producidas por la lima.

AVISO:

Si la cadena está desafilada o mal afilada, durante el corte puede causar una velocidad excesiva del motor, lo cual puede dañarlo.

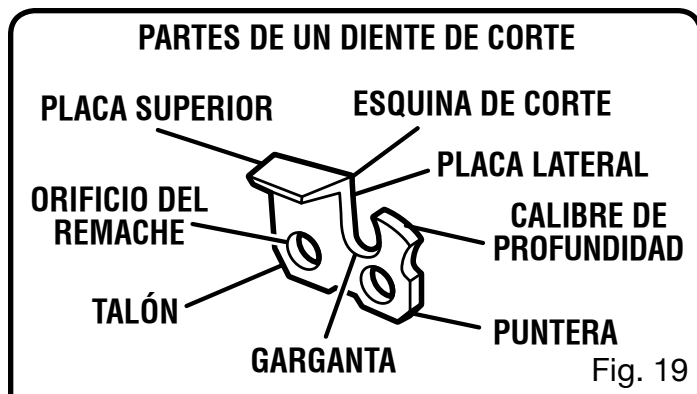


Fig. 19

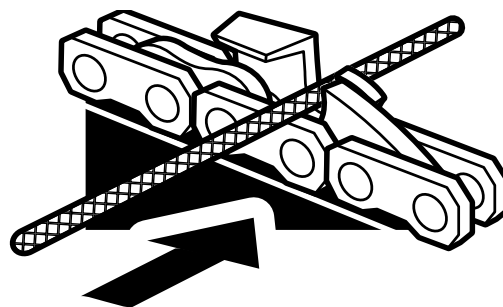


Fig. 20

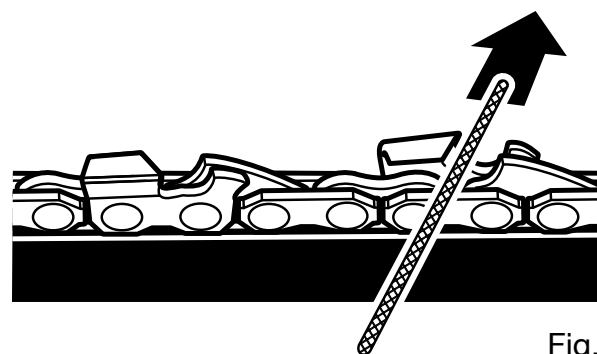


Fig. 21

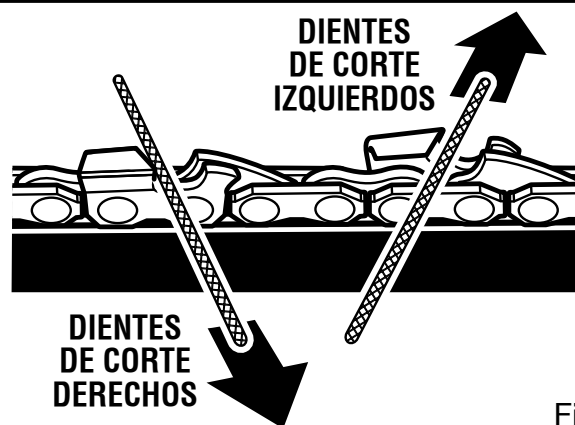


Fig. 22



ADVERTENCIA:

Un afilado inadecuado de la cadena aumenta el peligro de contragolpe. Si no se cambia o se repara la cadena cuando está dañada, puede causar lesiones serias.

MANTENIMIENTO

ALMACENAMIENTO DE LA PRODUCTO

Vea la figura 23.

- Limpie todo material extraño de la producto. Almacene la unidad en un espacio bien ventilado inaccesible a los niños. Evite que la unidad entre en contacto con agentes corrosivos como las sustancias químicas para el jardín y las sales para derretir el hielo.
- Siempre coloque la funda en la barra cuando transporte o guarde la sierra. La funda queda apretada y se debe colocar cuidadosamente debido a los dientes filosos de la cadena de la sierra. Esto se hace mejor sujetando la funda de un extremo y de su parte central, y colocarla cuidadosamente con un movimiento

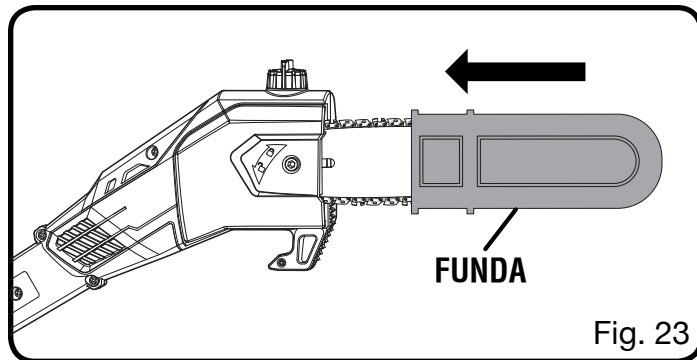


Fig. 23

de deslizamiento en la cadena, como se demuestra. Tenga precaución y evite tocar los afilados dientes de la cadena.

NOTA: La cadena de la sierra está sumamente afilada. Siempre póngase guantes protectores al manejar de la cadena.

SOLUCIÓN DE PROBLEMAS

PROBLEMA	CAUSA	SOLUCIÓN
La barra y la cadena están muy calientes y despiden humo.	Revise la tensión de la cadena para ver si es excesiva. Está vacío el tanque del lubricador de la cadena.	Tensión de la cadena. Consulte el apartado Tensado de la cadena , más arriba en este manual. Revise el tanque del lubricador.
El motor funciona pero la cadena no avanza.	Demasiada tensión en la cadena. Revise el conjunto de la barra guía y la cadena. Revise la barra guía y la cadena para ver si están dañadas.	Vuelva a tensar la cadena. Consulte el apartado Tensado de la cadena , más arriba en este manual. Consulte la sección Cómo reemplazar la barra y la cadena más arriba en este manual. Inspeccione la barra guía y la cadena para ver si están dañados.



LLÁMENOS PRIMERO

Si tiene preguntas sobre el funcionamiento o el mantenimiento este producto, llame al teléfono de atención al consumidor de Ryobi®!

La recortadora ha sido probada enteramente antes de embarcarse para asegurar la satisfacción del consumidor.

GARANTÍA

DECLARACIÓN DE LA GARANTÍA LIMITADA

Techtronic Industries North America, Inc. garantiza al comprador original al menudeo que este producto de la marca RYOBI® carece de defectos en los materiales y en la mano de obra, y acuerda reparar o reemplazar, a la sola discreción de Techtronic Industries North America, Inc., cualquier producto defectuoso, sin cargo alguno al comprador, dentro de los siguientes períodos de tiempo a partir de la fecha de compra.

- Tres años si los productos se emplean para uso personal, familiar o casero;
- 90 días si el producto se emplea para cualquier otro propósito, como el uso comercial o el de alquiler.

Esta garantía se otorga solamente al comprador original al menudeo, y comienza en la fecha de la compra original al menudeo.

Cualquier parte de este producto Techtronic Industries North America, Inc. que, a juicio razonable de la compañía, tenga defectos en los materiales o en la mano de obra, será reparado o reemplazado por un centro de servicio autorizado de herramientas para uso en el exterior de la marca RYOBI®, sin cargo alguno al comprador por concepto de piezas y mano de obra (Centro de Servicio Autorizado Ryobi).

El producto, incluida toda pieza defectuosa, debe enviarse a un centro de servicio autorizado Ryobi dentro del período de la garantía. El gasto de enviar el producto al centro de servicio para cualquier trabajo cubierto por la garantía, así como el gasto de devolverlo al propietario después de la reparación, correrán por cuenta del propietario. La responsabilidad de Techtronic Industries North America, Inc. con respecto a todo reclamo se limita a las reparaciones o reemplazo del producto, y ningún reclamo de incumplimiento de la garantía será causante de la cancelación o rescisión del contrato de venta de ninguna herramienta de uso en el exterior de la marca RYOBI®. En el establecimiento se requerirá el recibo de compra para respaldar cualquier reclamo al amparo de la garantía. Todo trabajo cubierto en la garantía debe ser realizado por un concesionario de servicio autorizado.

Esta garantía se limita a noventa (90) días a partir de la fecha original de la compra de cualquier herramienta de uso en el exterior de la marca RYOBI® empleada para propósitos comerciales o de alquiler, o cualquier otro propósito generador de ingresos.

Esta garantía no cubre ningún producto que haya sido sujeto a un uso indebido, maltrato, negligencia o accidente, o que haya sido utilizado de cualquier forma contraria a las instrucciones de manejo especificadas en el manual del operador del producto. Esta garantía no aplica a ningún daño en el producto que resulte de un mantenimiento indebido ni a ningún producto que haya sido alterado o modificado. La garantía no cubre ninguna reparación necesaria por el uso normal ni por el uso de piezas o accesorios que sean incompatibles con la herramienta para uso exterior de la marca RYOBI®, o afecten de forma desfavorable su funcionamiento, desempeño o durabilidad.

Además, esta garantía no cubre:

A. Afinación – Bujías, carburador, ajustes del carburador, encendido, filtros

B. Artículos sujetos a desgaste – Perillas de tope, carretes exteriores, hilos de corte, carretes interiores, poleas del arrancador, cuerdas del arrancador, correas de transmisión, aspas, arandelas de fieltro y pasadores de enganche, hojas de triturar, ventiladores de sopladoras, tubos de sopladoras y de aspiradoras, sacos y correas de aspiradoras, barras guía y cadenas de sierras

Techtronic Industries North America, Inc. se reserva el derecho a cambiar o mejorar el diseño de cualquier herramienta para uso en el exterior de la marca RYOBI® sin asumir ninguna obligación de modificar ningún producto fabricado previamente.

TODAS LAS GARANTÍAS IMPLÍCITAS ESTÁN LIMITADAS EN DURACIÓN SEGÚN EL PERÍODO DE GARANTÍA DECLARADA. POR CONSIGUIENTE, CUALQUIER GARANTÍA IMPLÍCITA, INCLUSO LAS DE COMERCIABILIDAD, IDONEIDAD PARA UN PROPÓSITO EN PARTICULAR, O DE CUALQUIER TIPO, PIERDEN TOTALMENTE SU VALIDEZ DESPUÉS DEL VENCIMIENTO DEL PERÍODO DE GARANTÍA CORRESPONDIENTE DE TRES AÑOS O NOVENTA DÍAS. DE CONFORMIDAD CON ESTA GARANTÍA, LA OBLIGACIÓN DE TECHTRONIC INDUSTRIES NORTH AMERICA, INC. SE LIMITA ESTRICTA Y EXCLUSIVAMENTE A LA REPARACIÓN O REPLAZO DE LAS PIEZAS DEFECTUOSAS, Y TECHTRONIC INDUSTRIES NORTH AMERICA, INC. NO ASUME NINGUNA OTRA OBLIGACIÓN, NI AUTORIZA A NADIE ASUMIRLA A NOMBRE DE DICHA COMPAÑÍA. ALGUNOS ESTADOS NO PERMITEN LIMITACIONES EN CUANTO A LA DURACIÓN DE UNA GARANTÍA IMPLÍCITA, POR LO CUAL ES POSIBLE QUE LA LIMITACIÓN ANTERIOR NO SE APLIQUE EN EL CASO DE USTED. TECHTRONIC INDUSTRIES NORTH AMERICA, INC. NO ASUME NINGUNA RESPONSABILIDAD POR DAÑOS DIRECTOS, INDIRECTOS O DE NINGÚN OTRO TIPO, COMO EL GASTO DE ENVIAR EL PRODUCTO A UN CENTRO DE SERVICIO AUTORIZADO RYOBI Y EL GASTO DE ENVIARLO DE ALLÍ AL PROPIETARIO, EL TIEMPO DE VIAJE DEL MECÁNICO, CARGOS TELEFÓNICOS O TELEGRÁFICOS, ALQUILER DE UN PRODUCTO SUSTITUTO DURANTE EL TIEMPO DE REALIZACIÓN DEL SERVICIO DE LA GARANTÍA, VIAJES, PÉRDIDA O DAÑOS A OBJETOS DE PROPIEDAD PERSONAL, PÉRDIDA DE INGRESOS, PÉRDIDA DEL USO DEL PRODUCTO, PÉRDIDA DE TIEMPO O INCONVENIENTES. EN ALGUNOS ESTADOS NO SE PERMITE LA EXCLUSIÓN O LIMITACIÓN DE DAÑOS DIRECTOS O INDIRECTOS, POR LO CUAL ES POSIBLE QUE LA LIMITACIÓN O EXCLUSIÓN DESCRITA ARRIBA NO SE APLIQUE EN SU CASO.

Esta garantía le confiere derechos legales específicos, y es posible que usted goce de otros derechos, los cuales pueden variar de estado a estado.

Esta garantía se aplica a todas las herramientas para uso en el exterior de la marca RYOBI® fabricadas por Techtronic Industries North America, Inc. y vendidos en Estados Unidos y Canadá.

Para encontrar el centro de servicio autorizado Ryobi más cercano a usted, llame al 1-800-860-4050.



OPERATOR'S MANUAL / 18 VOLT POLE SAW

MANUEL D'UTILISATION / SCIE DE MANCHE 18 V

MANUAL DEL OPERADOR / SIERRA DE PÉRTIGA DE 18 V

P4360

CALIFORNIA PROPOSITION 65

⚠ WARNING:

This product and substances that may become airborne from its use may contain chemicals, including lead, known to the State of California to cause cancer, birth defects, or other reproductive harm.

Wash hands after handling.

PROPOSITION 65 DE LA CALIFORNIE

⚠ AVERTISSEMENT :

Ce produit ainsi que les substances rejetées dans l'air à la suite de son utilisation peuvent contenir des produits chimiques, notamment du plomb qui, selon l'État de la Californie, peuvent causer le cancer, des anomalies congénitales et d'autres dommages au système reproducteur. *Bien se laver les mains après toute manipulation.*

CALIFORNIA - PROPUESTA DE LEY NÚM. 65

⚠ ADVERTENCIA:

Este producto y sustancias que puedan llegar a ser aerotransportadas por su uso pueden contener sustancias químicas (por ejemplo, plomo) consideradas por el estado de California como causantes de cáncer, defectos de nacimiento u otras alteraciones reproductivas. *Lávese las manos después de utilizar el aparato.*

RYOBI is a registered trademark of Ryobi Limited and is used pursuant to a license granted by Ryobi Limited.

RYOBI est une marque déposée de RYOBI Limited et est utilisée en vertu d'une licence accordée par Ryobi Limited.

RYOBI es una marca registrada de Ryobi Limited y se utiliza conforme a una licencia otorgada por Ryobi Limited.

• PARTS AND SERVICE

Prior to requesting service or purchasing replacement parts, please obtain your model and serial number from the product data plate.

• **MODEL NO.** P4360 **SERIAL NO.** _____

• HOW TO OBTAIN REPLACEMENT PARTS:

Replacement parts can be purchased online at www.ryobitools.com or by calling 1-800-860-4050. Replacement parts can also be obtained at one of our Authorized Service Centers.

• HOW TO LOCATE AN AUTHORIZED SERVICE CENTER:

Authorized Service Centers can be located online at www.ryobitools.com or by calling 1-800-860-4050.

• HOW TO OBTAIN CUSTOMER OR TECHNICAL SUPPORT:

To obtain Customer or Technical Support please contact us at 1-800-860-4050.

• • • • •

• PIÈCES ET SERVICE

Avant de faire la demande de service ou l'achat de pièces de remplacement, veuillez obtenir le numéro de série du modèle à partir de la plaque de données du produit.

• **NUMÉRO DE MODÈLE** P4360 **NUMÉRO DE SÉRIE** _____

• COMMENT OBTENIR LES PIÈCES DE REMPLACEMENT :

Les pièces de remplacement peuvent être achetées en ligne sur le site www.ryobitools.com ou par téléphone au 1-800-860-4050. Les pièces de remplacement peuvent être obtenues à un de nos centres de service autorisés.

• COMMENT TROUVER UN CENTRE DE SERVICE AUTORISÉ :

Les centres de service autorisés peuvent être localisés en ligne au www.ryobitools.com ou en téléphonant au 1-800-860-4050.

• COMMENT OBTENIR DE L'AIDE EN CONTACTANT LE SERVICE À LA CLIENTÈLE :

Pour contacter le service à la clientèle pour une question technique ou pour tout autre renseignement, veuillez nous téléphoner au 1-800-860-4050.

• • • • •

• PIEZAS DE REPUESTO Y SERVICIO

Antes de solicitar servicio técnico o comprar piezas de repuesto, obtenga su modelo y número de serie de la placa de datos del producto.

• **NÚMERO DE MODELO** P4360 **NÚMERO DE SERIE** _____

• CÓMO OBTENER PIEZAS DE REPUESTO:

Las piezas de repuesto se pueden comprar en nuestro sitio en la red mundial, en la dirección www.ryobitools.com o llamando al 1-800-860-4050. Las piezas de repuesto también se pueden obtener en uno de nuestros Centros de Servicio Autorizados.

• CÓMO LOCALIZAR UN CENTRO DE SERVICIO AUTORIZADO:

Puede encontrar los Centros de Servicio Autorizados visitando nuestro sitio en la red mundial, en la dirección www.ryobitools.com or by calling 1-800-860-4050.

• CÓMO OBTENER SERVICIO O ASISTENCIA TÉCNICA AL CONSUMIDOR:

Para obtener Servicio o Asistencia Técnica al Consumidor, sírvase comunicarse con nosotros llamando al 1-800-860-4050.

TECHTRONIC INDUSTRIES NORTH AMERICA, INC.

1428 Pearman Dairy Road, Anderson, SC 29625 USA

1-800-860-4050 • www.ryobitools.com

A subsidiary of Techtronic Industries Co. • OTC:TTNDY

990000068

4-11-12 (REV:01)