

**DO NOT RETURN TO RETAILER**

IF YOU HAVE ANY QUESTIONS OR CONCERNS  
PLEASE VISIT OUR WEBSITE AT:

**[www.homedecorators.com](http://www.homedecorators.com)**

OR TOLL FREE AT:

**1-800-245-2217**

MONDAY-SUNDAY 5:00 AM TO 5:00 PM PACIFIC STANDARD TIME / 8:00  
AM TO 8:00PM EASTERN STANDARD TIME

Warranty Coverage Requirements:

1. Copy of your Original Store Receipt.
2. Pictures of the damaged parts.
3. You must know the name of your product and any corresponding item numbers as well as the name of the store where you purchased the item.
4. Please gather all of this information BEFORE you call customer service.

## **THIS WARRANTY COVERS THE FOLLOWING HOME DECORATORS**

### **COLLECTIONS:**

- **6PC LAKE ADELA DEEP SEATING**
- **2PC LAKE ADELA CHAIR AND OTTOMAN**
- **LAKE ADELA CHAISE**
- **LAKE ADELA 4PC SECTIONAL**

**5 YEAR LIMITED ALUMINUM FRAME AND CASHMEER™ (US PATENT PENDING)**

**2 YEAR LIMITED STEEL FRAME/ WICKER WARRANTY/ 2 YEAR FABRIC WARRANTY**

### **WHAT IS COVERED**

We warrant the frame and Cashmeer™ (US Patent Pending) wicker to be free of manufacturing defects to the original purchaser for five years aluminum and two years steel and the fabric cushions for two years. The warranty is designed to cover the set under normal residential use. This product is not intended for commercial use and will void the warranty.

### **WHAT IS NOT COVERED**

Discoloration or fading of the finish or fabrics as a result of chemicals or spills is not covered. Glass tabletop breakage and corrosion or rusting of hardware are not covered.

Proof of purchase (dated register receipt) is required for warranty claims. Warranty is to the original purchaser and is non-transferable. As some states do not allow exclusions or limitations on an implied warranty, the above exclusions and limitations may not apply. This warranty gives you specific rights, and you may also have other rights, which vary from state to state. You may contact our customer service department with any questions or warranty claims. By phone: 1-800-245-2217 Monday - Friday, between 8:00 am and 5:00 pm PST.

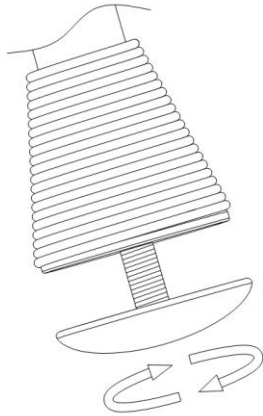
### **NO ASSEMBLY REQUIRED**

### **CARE INSTRUCTIONS**

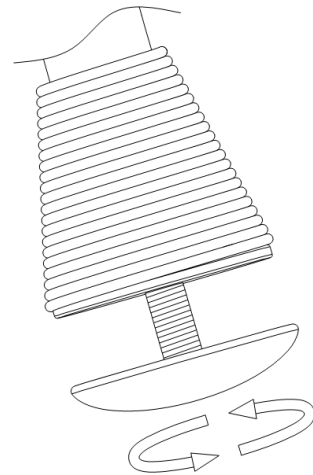
For best results, clean Cashmeer™ (US Patent Pending) wicker by washing frequently with mild soap and warm water. Cleaning will help prevent mildew by washing out dirt particles that may become trapped. Do not use abrasive materials or cleaners. Cushions may be cleaned by hand with a mild soap and water. Rinse cushions thoroughly and allow to drip dry. Do not machine wash or tumble dry, as cushions may shrink. Do not use bleach or solvents on fabrics.

## Lake Adela Foot Leveler Instructions

A. To shorten the length of the leg, turn the base of the foot to the Right (Clockwise)



B. To extend the length of the leg, turn the base of the foot to the Left (Counter Clockwise)



**Note:** It may be necessary to adjust the leveler on more than one foot of your chair or loveseat in order to balance the piece of furniture.

The above instructions apply to Lake Adela 6pc Deep Seating Set, Chaise, Side Table and 4pc Sectional Set.

