

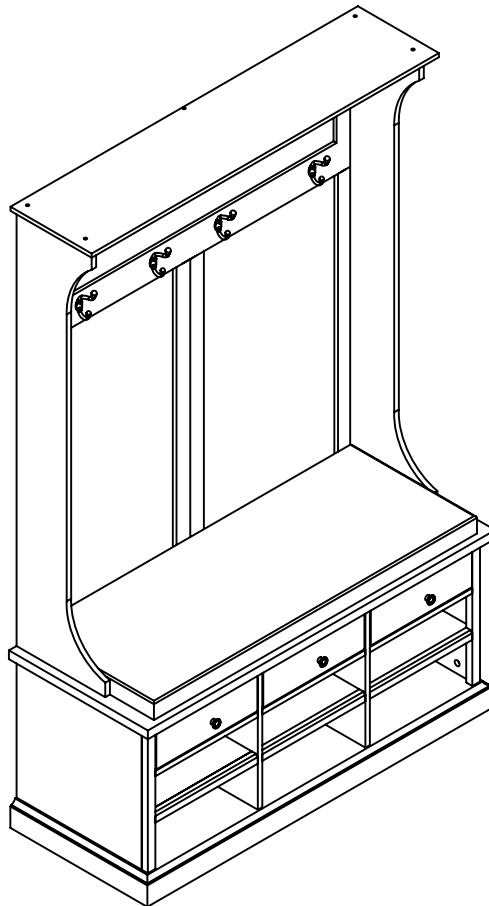
# HOME DECORATORS COLLECTION

SK17912F HAMPTON HALL TREE 72"Hx45"Wx18"D

INV#92499

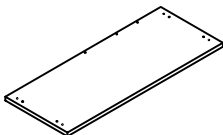
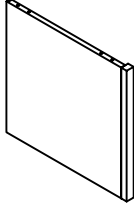
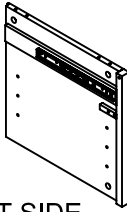
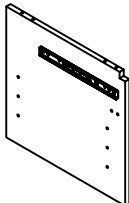
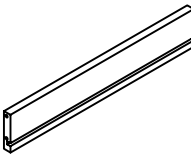
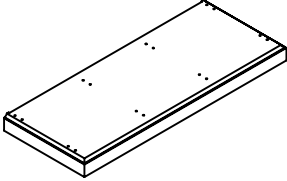
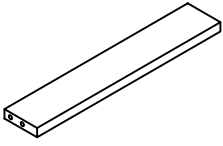
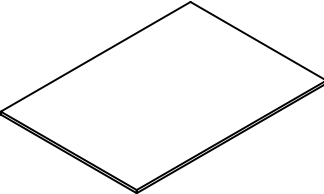
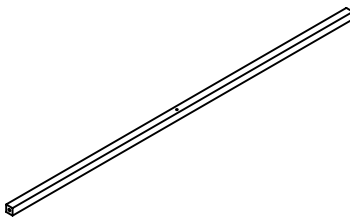
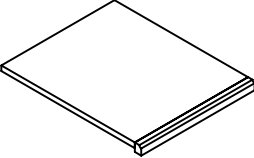
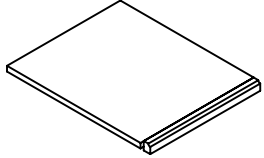
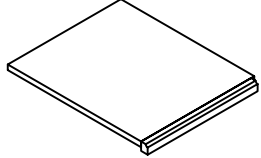
## ASSEMBLY INSTRUCTIONS

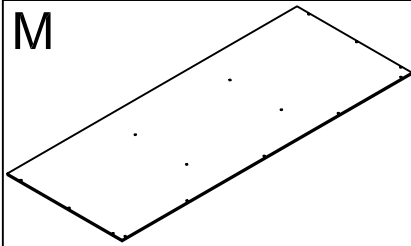
Made In China



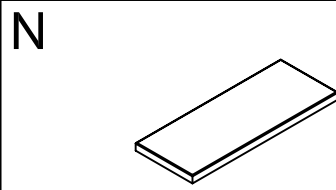
Thank you for purchasing this quality product. Be sure to check all packing material carefully for small parts, which may have come loose inside the carton during shipment. Count all parts and material hardware, then compare with parts list to be sure all parts are present. If any parts are missing or damaged, phone, fax, or mail to our Customer Service Department for efficient and speedy service. Please indicate the model number and code letter of part(s) needed.

**IMPORTANT NOTE:** Follow instructions listed below in proper sequence as numbered to assure fast, easy and correct assembly.

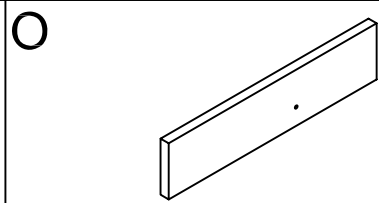
<b>PARTS LIST</b>		
<b>A</b>  FIXED PANEL-1PC	<b>B</b>  LOWER LEFT SIDE PANEL-1PC	<b>C</b>  LOWER RIGHT SIDE PANEL-1PC
<b>D</b>  PARTITION-2PCS	<b>E</b>  DRAWER BACK PANEL-3PCS	<b>F</b>  BOTTOM FRAME-1PC
<b>G</b>  LOWER CROSS BAR-3PCS	<b>H</b>  DRAWER BOTTOM PANEL-3PCS	<b>I</b>  LOWER CROSS BAR-1PC
<b>J</b>  CENTER ADJUSTABLE SHELF-1PC	<b>K</b>  LEFT SIDE ADJUSTABLE SHELF-1PC	<b>L</b>  RIGHT SIDE ADJUSTABLE SHELF-1PC



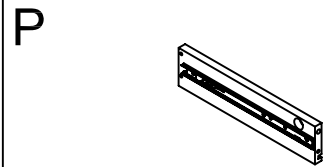
M LOWER BACK PANEL-1PC



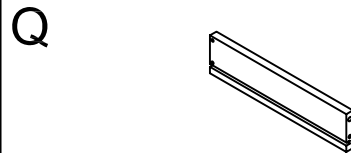
N CUSHION-1PC



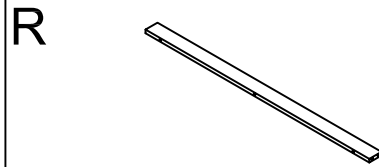
O DRAWER FRONT PANEL-3PCS



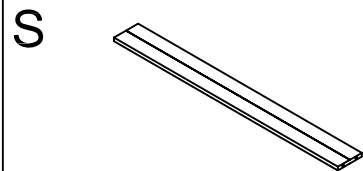
P DRAWER LEFT SIDE PANEL-3PCS



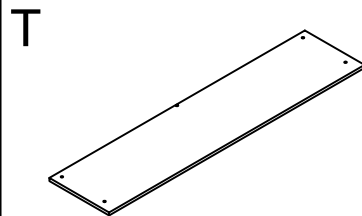
Q DRAWER RIGHT SIDE PANEL-3PCS



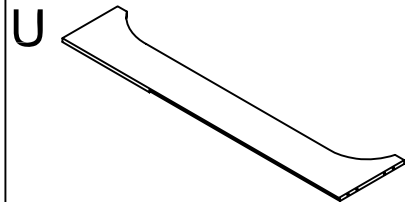
R SIDE BACK SUPPORT SLAT-2PCS



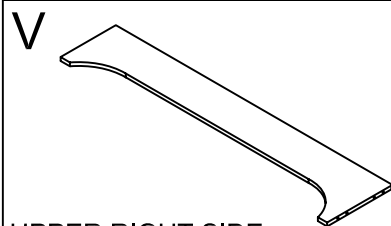
S CENTER BACK SUPPORT SLAT-1PC



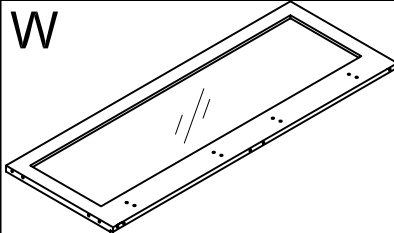
T TOP PANEL-1PC



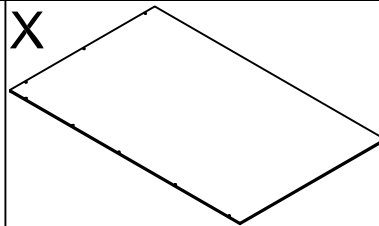
U UPPER LEFT SIDE PANEL-1PC



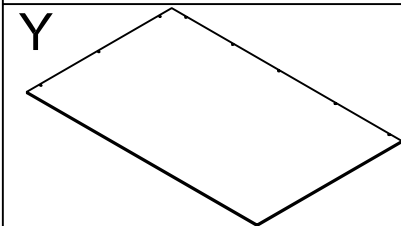
V UPPER RIGHT SIDE PANEL-1PC



W MIRROR FRAME-1PC


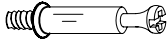





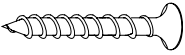


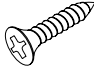


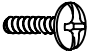

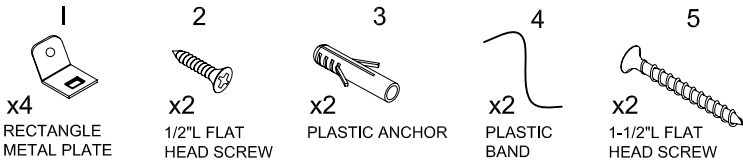


X UPPER LEFT BACK PANEL-1PC



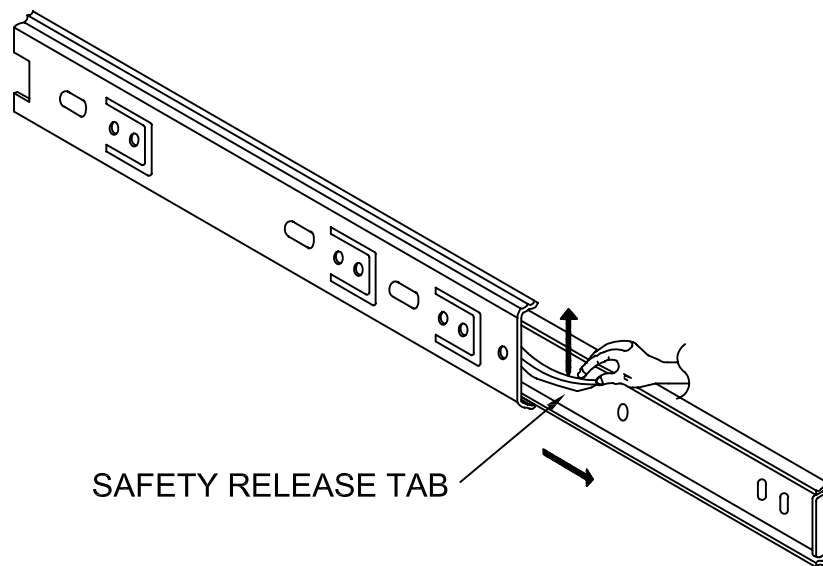
Y UPPER RIGHT BACK PANEL-1PC

NOTE:THE SURFACE WITH THE STICKER IS THE BACK SIDE

<p><b>a</b></p>  <p>WOOD DOWEL-60PCS</p>	<p><b>b</b></p>  <p>CAM LOCK BOLT-36PCS</p>	<p><b>c</b></p>  <p>CAM LOCK-36PCS</p>
<p><b>d</b></p>  <p>5/8" L ROUND HEAD SCREW-39PCS</p>	<p><b>e</b></p>  <p>MIDDLE PLASTIC COVER-8PCS</p>	<p><b>f</b></p>  <p>LONG PLASTIC COVER-4PCS</p>
<p><b>g</b></p>  <p>METAL PLATE-8PCS</p>	<p><b>h</b></p>  <p>1-1/2" FLAT HEAD SCREW-5PCS</p>	<p><b>i</b></p>  <p>SHORT PLASTIC COVER-6PCS</p>
<p><b>j</b></p>  <p>KNOB-3PCS</p>	<p><b>k</b></p>  <p>1/2" L FLAT HEAD SCREW-8PCS</p>	<p><b>l</b></p>  <p>HOOK-4PCS</p>
<p><b>m</b></p>  <p>1" L FLAT HEAD SCREW-13PCS</p>	<p><b>n</b></p>  <p>KNOB BOLT-3PCS</p>	<p><b>o</b></p>  <p>SHELF PIN-12PCS</p>
<p><b>1</b> <b>2</b> <b>3</b> <b>4</b> <b>5</b></p>  <p>x4 RECTANGLE METAL PLATE    x2 1/2" L FLAT HEAD SCREW    x2 PLASTIC ANCHOR    x2 PLASTIC BAND    x2 1-1/2" L FLAT HEAD SCREW</p> <p>ANTI-TIPPING HARDWARE PACKAGE</p>		

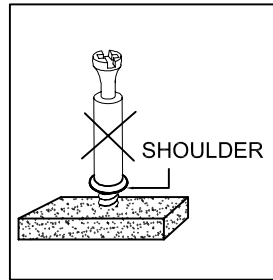
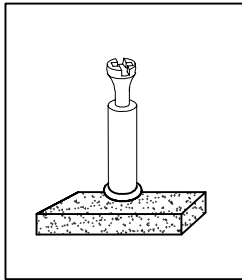
NOTE:THE SURFACE WITH THE STICKER IS THE BACK SIDE

## HOW TO SEPARATE GLIDES



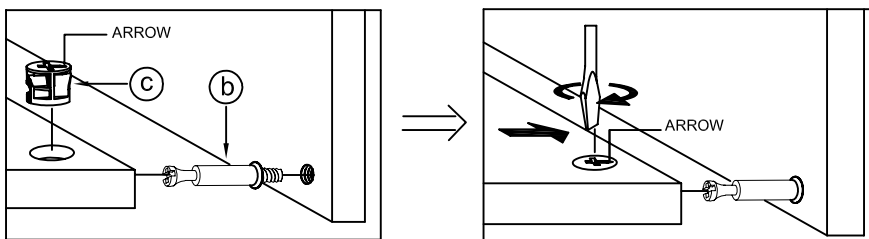
PRIOR TO ASSEMBLY, WE SUGGEST SEPARATING THE INNER GLIDES FROM THE OUTER-GLIDES, SIMPLY PULL THE LEFT/RIGHT INNER GLIDES FROM THE OUTER GLIDES EXPOSING A SMALL BLACK SAFETY RELEASE TAB, BY PUSHING THE SAFETY RELEASE TAB. YOU WILL BE ABLE TO SEPARATE THE GLIDES.

NOTE: • UPON OPENING, THOROUGHLY CLEAN ALL WOOD SURFACES TO REMOVE DUST AND DIRT THAT MAY HAVE SETTLED ONTO THE FINISH DURING SHIPMENT. IN ORDER TO PREVENT DAMAGE DURING ASSEMBLY. PLEASE ASSEMBLE THIS ITEM WITH AT LEAST TWO PEOPLE.



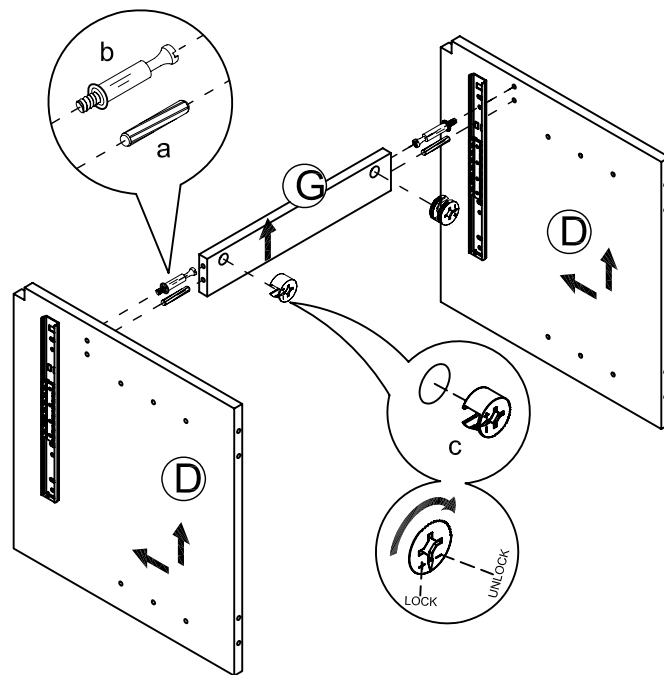
NOTE: TURN THE CAM-BOLT SCREWS UNTIL THEY ARE TIGHT, THE SHOULDER SHOULD BE AGAINST THE SURFACE OF THE PART.

## HOW TO USE THE CAM-TOOL



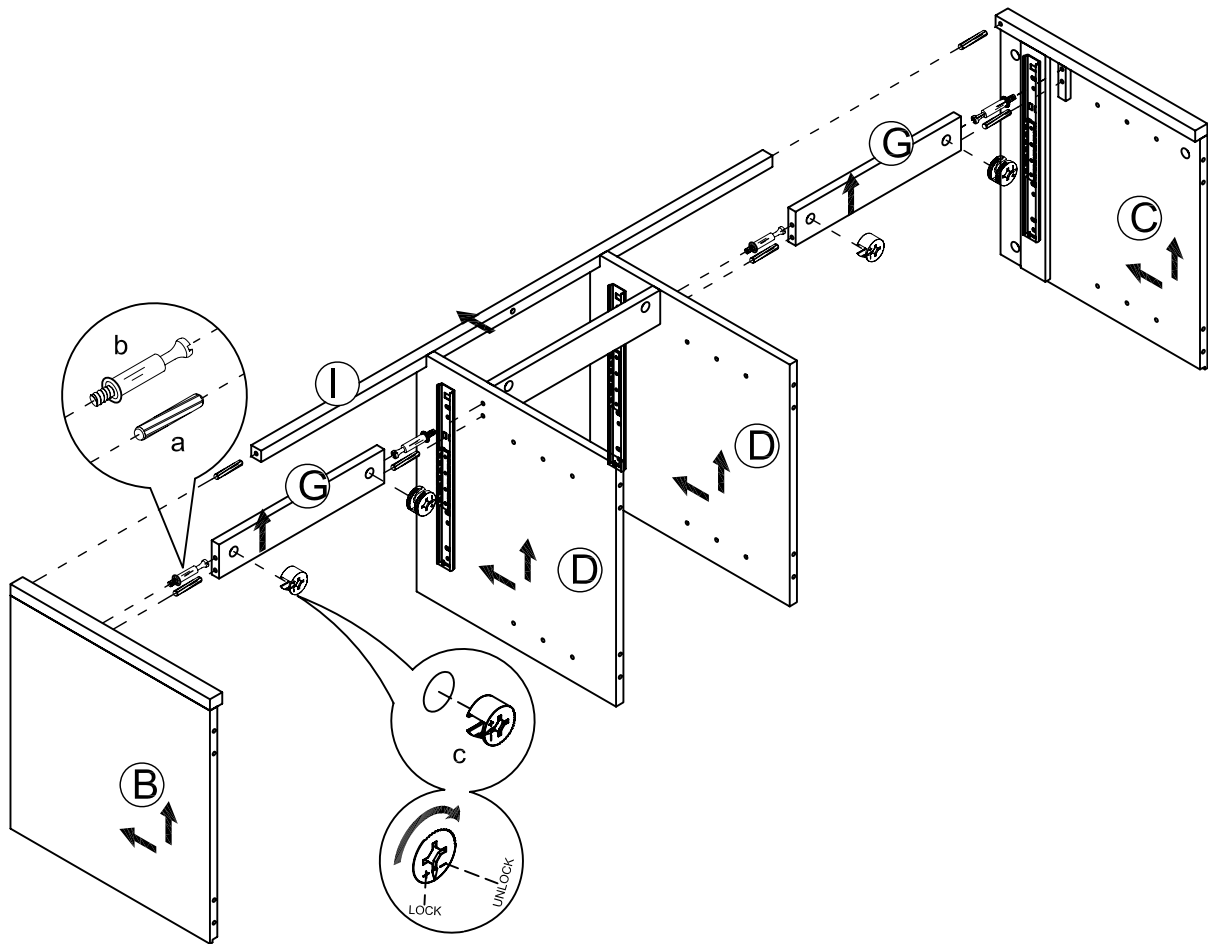
NOTE: • THE ARROWS ON THE HIDDEN CAM-LOCKS SHOULD POINT TO THE CAM-BOLTS.

# FIG 1



- INSTALL THE WOOD DOWEL (a) AND THE CAM LOCK BOLT (b) INTO THE PARTITION (D) .
- JOIN THE PARTITION (D) TO THE LOWER CROSS BAR (G) BY USING THE WOOD DOWEL (a) FIRST.
- ONCE JOINED, TIGHTEN CAM LOCK (c) ONTO CAM LOCK BOLT (b) USING PRE-DRILLED HOLES.

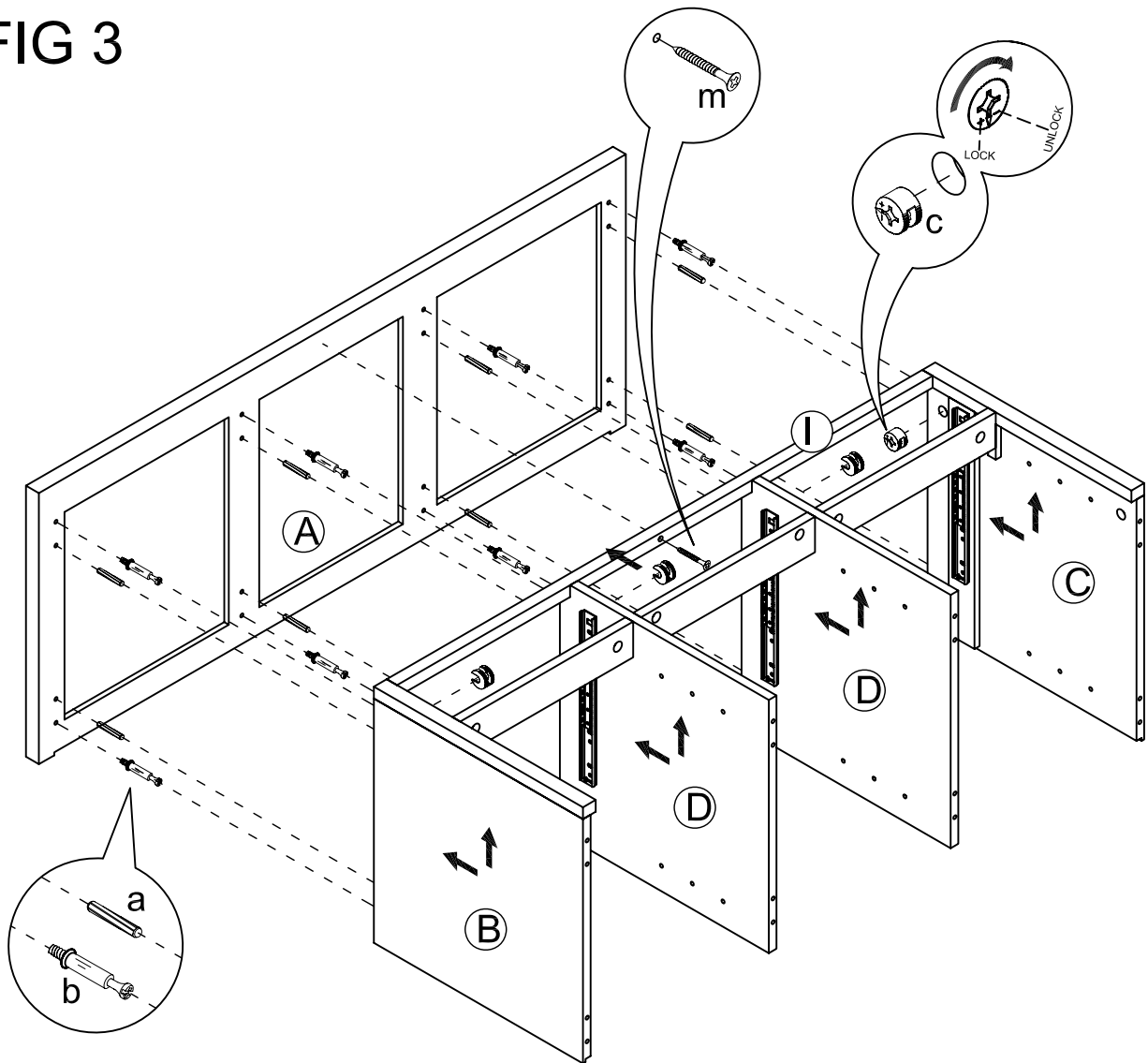
# FIG 2



- INSTALL THE WOOD DOWEL (a) AND THE CAM LOCK BOLT (b) INTO THE PARTITION (D) , THE LOWER LEFT SIDE PANEL (B) AND THE LOWER RIGHT SIDE PANEL (C) .
- JOIN THE LOWER LEFT SIDE PANEL (B) , THE LOWER RIGHT SIDE PANEL (C) , AND THE ASSEMBLED PART TO THE LOWER CROSS BAR (G) AND THE UPPER CROSS BAR (I) BY USING THE WOOD DOWEL (a) FIRST.
- ONCE JOINED, TIGHTEN CAM LOCK (c) ONTO CAM LOCK BOLT (b) USING PRE-DRILLED HOLES.

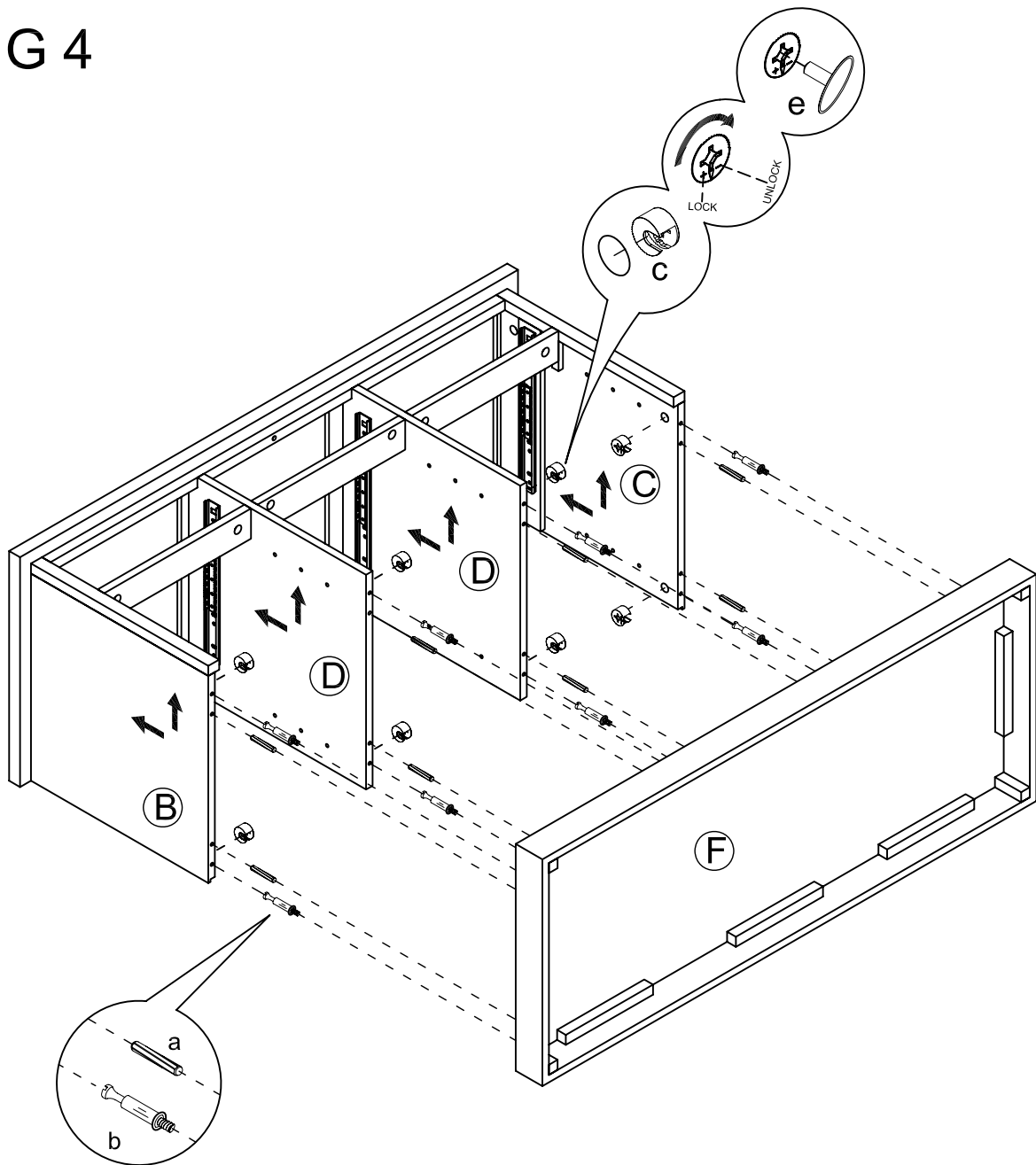


FIG 3



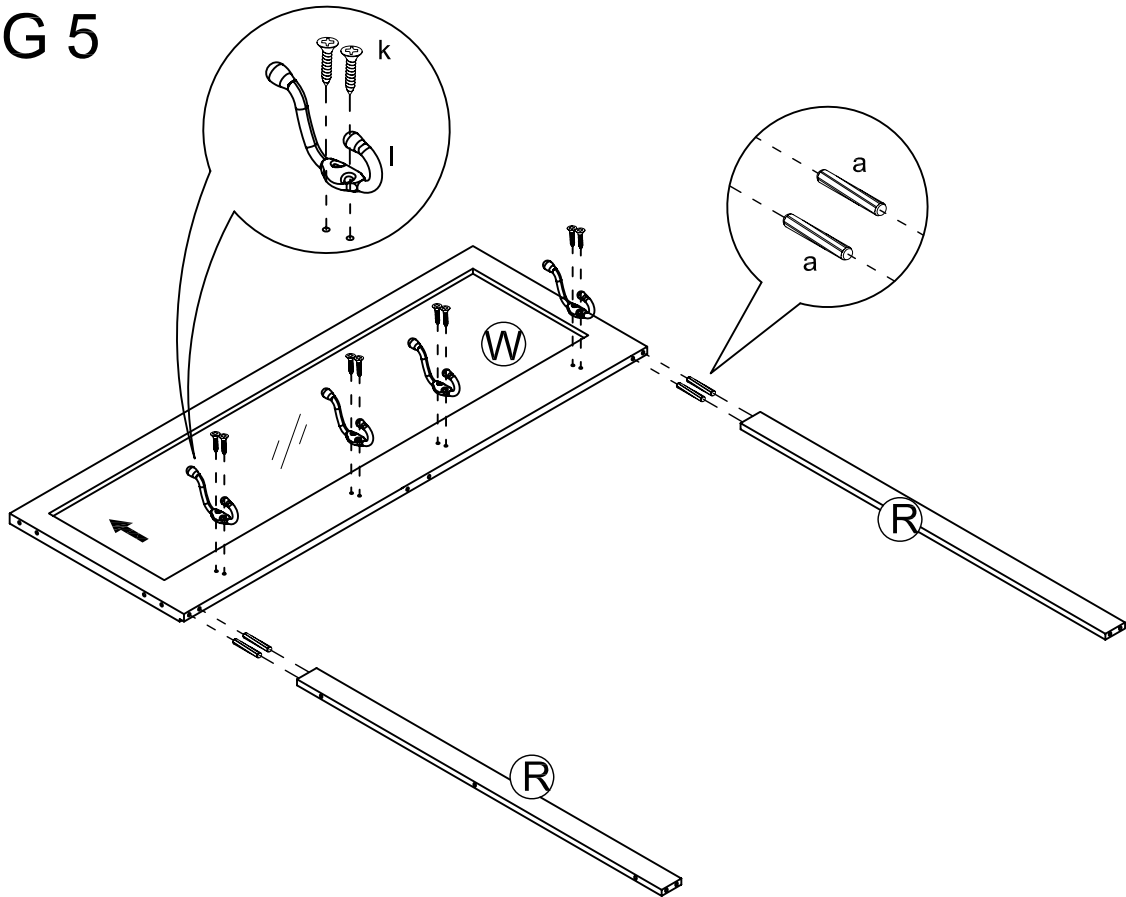
- INSTALL THE WOOD DOWEL (a) AND THE CAM LOCK BOLT (b) INTO THE FIXED PANEL (A) .
- JOIN THE FIXED PANEL (A) TO THE ASSEMBLED PART BY USING THE WOOD DOWEL (a) FIRST.
- ONCE JOINED, TIGHTEN CAM LOCK (c) ONTO CAM LOCK BOLT (b) USING PRE-DRILLED HOLES.
- TIGHTEN THE UPPER CROSS BAR (I) BY USING 1" FLAT HEAD SCREW (m).

FIG 4



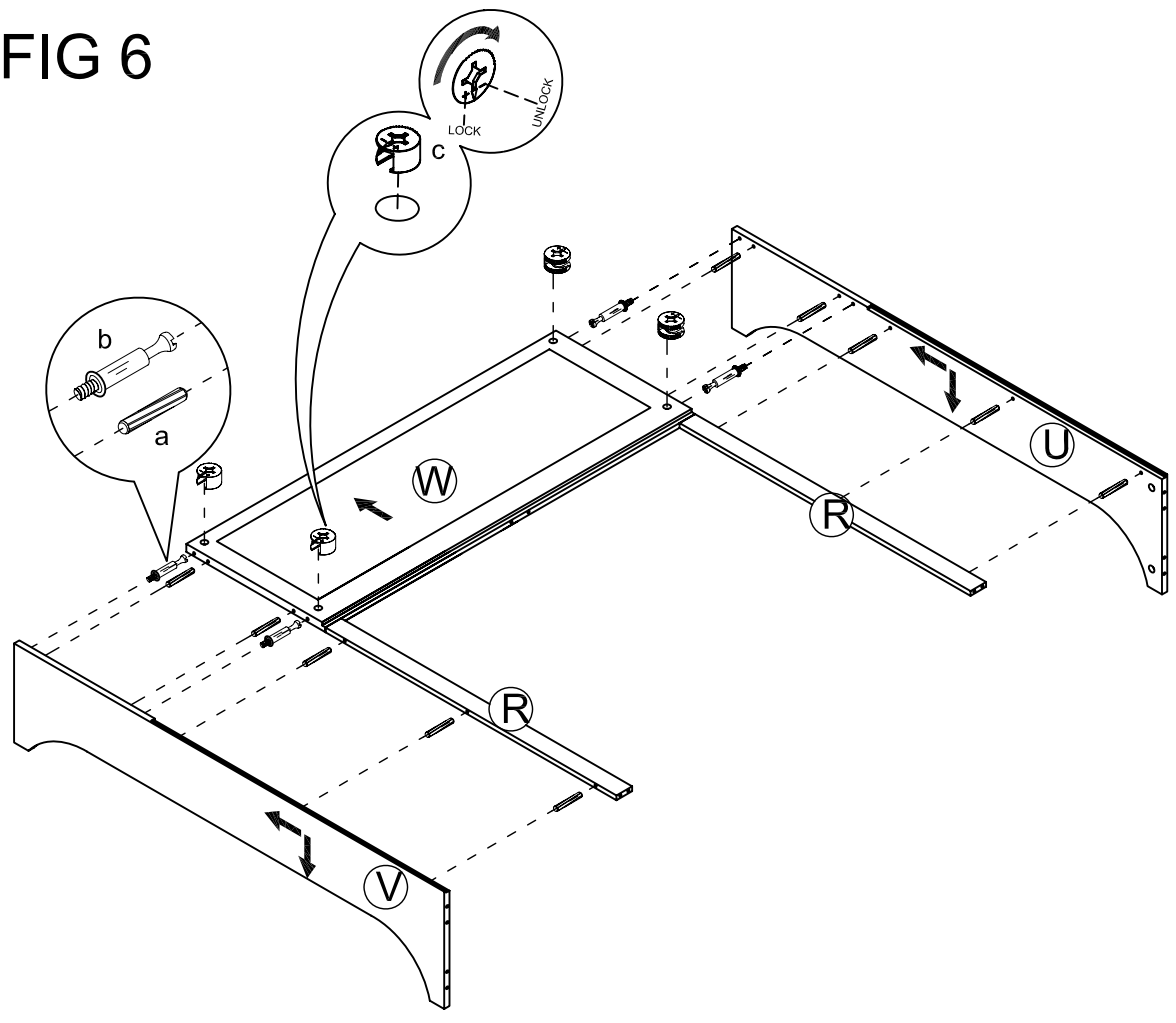
- INSTALL THE WOOD DOWEL (a) AND THE CAM LOCK BOLT (b) INTO THE BOTTOM FRAME (F) .
- JOIN THE BOTTOM FRAME (F) TO THE ASSEMBLED PART BY USING THE WOOD DOWEL (a) FIRST.
- ONCE JOINED, TIGHTEN CAM LOCK (c) ONTO CAM LOCK BOLT (b) USING PRE-DRILLED HOLES.
- COVER CAM HOLES WITH THE MIDDLE PLASTIC COVER (e).

FIG 5



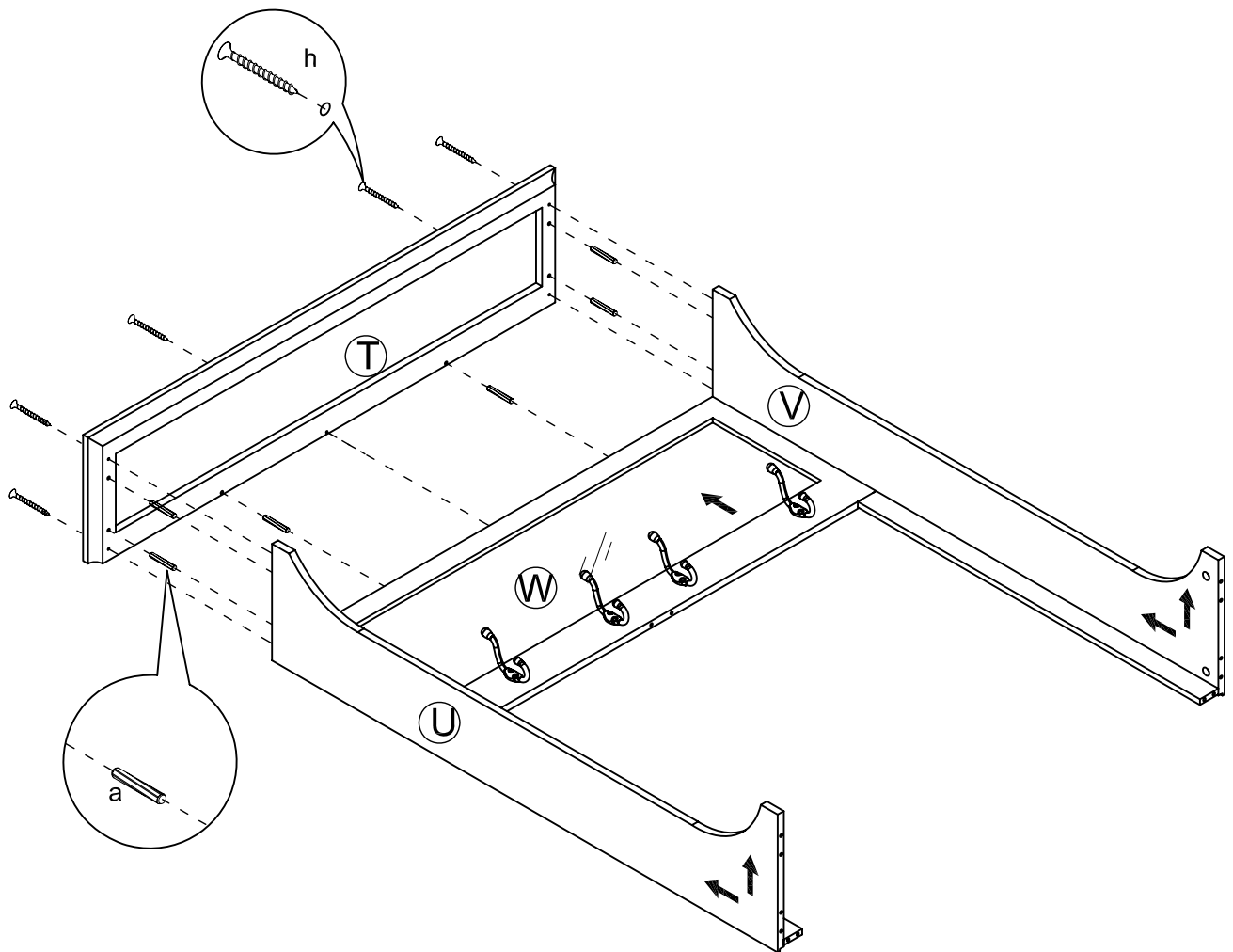
- TIGHTEN THE HOOK (l) ONTO THE MIRROR FRAME (W) BY USING 1/2" FLAT HEAD SCREW (k) THROUGH PRE-DILLED HOLES.
- JOIN THE SIDE BACK SUPPORT SLAT (R) TO THE MIRROR FRAME (W) BY USING THE WOOD DOWEL (a).

FIG 6



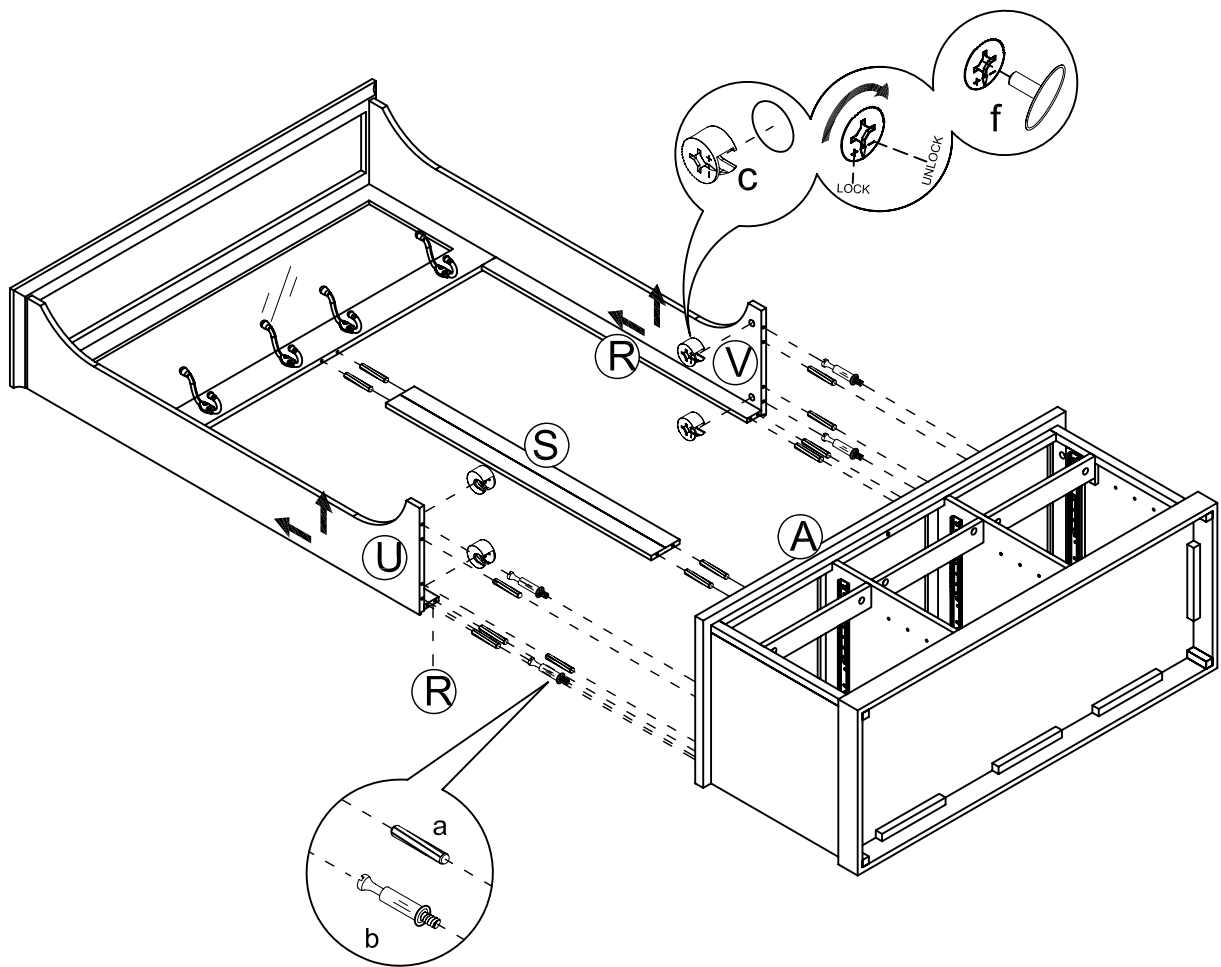
- JOIN THE UPPER LEFT SIDE PANEL (U) AND THE UPPER RIGHT SIDE PANEL (V) TO THE ASSEMBLED PART BY USING THE WOOD DOWEL (a).

# FIG 7



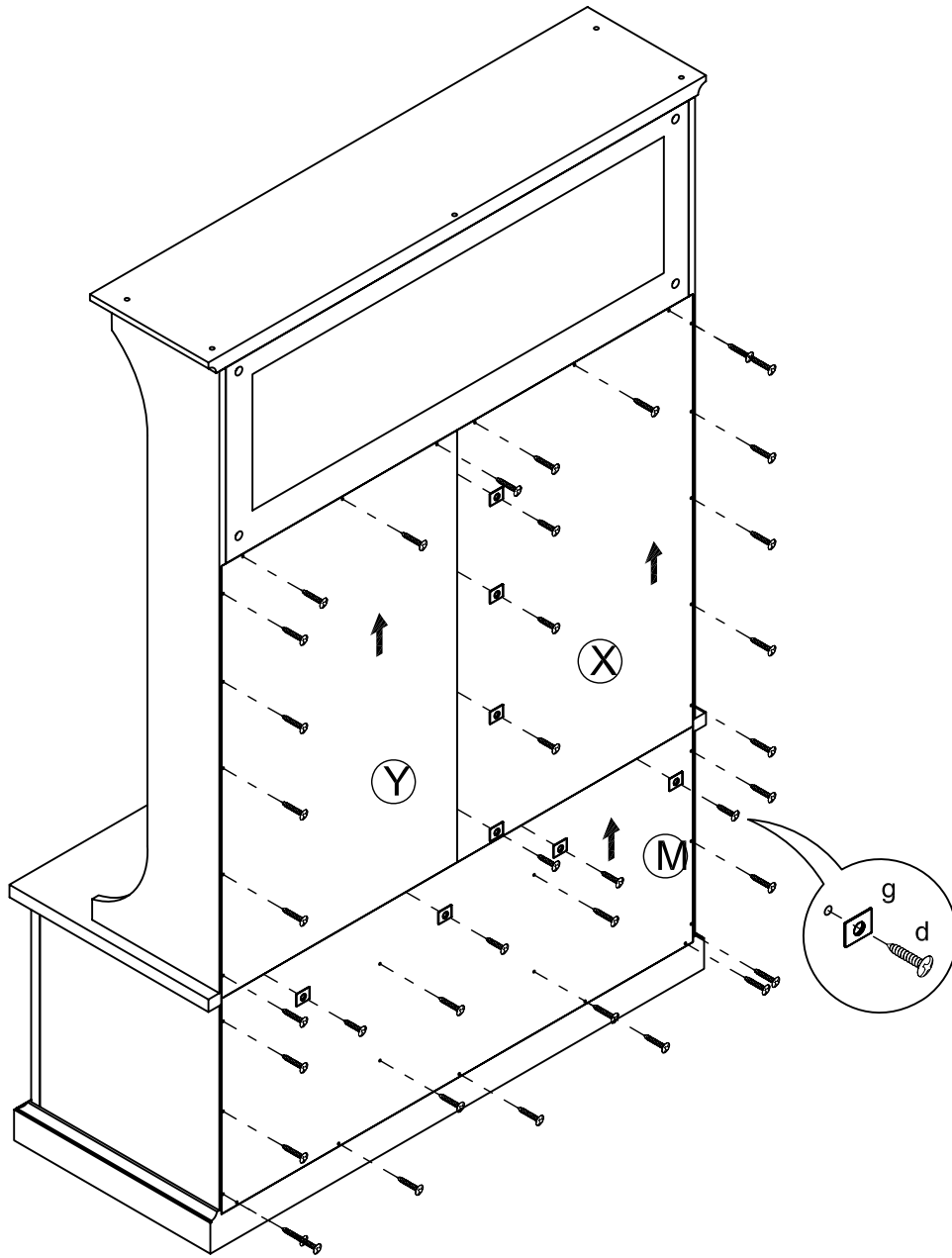
- JOIN THE TOP PANEL (T) TO THE ASSEMBLED PART BY USING THE WOOD DOWEL (a) FIRST.
- TIGHTEN THE TOP PANEL (T) AND THE ASSEMBLED PART BY USING 1-1/2" FLAT HEAD SCREW (h).

# FIG 8



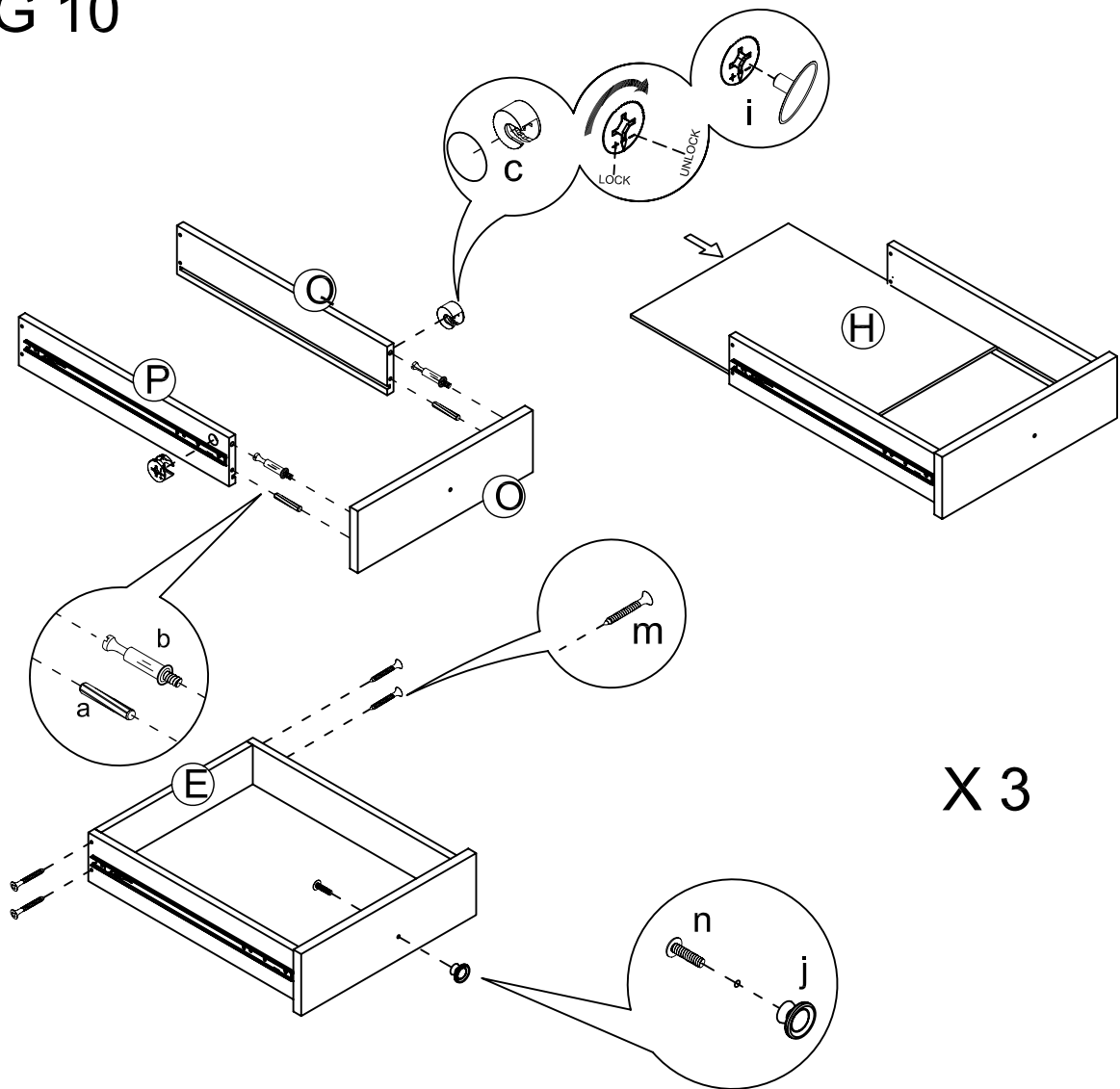
- INSTALL THE WOODEN DOWEL (a) AND THE CAM LOCK BOLT (b) INTO THE FIXED PANEL(A) AND THE CENTER BACK SUPPORT SLAT (S).
- JOIN TWO ASSEMBLED PARTS AND THE CENTER BACK SUPPORT SLAT (S) BY USING THE WOOD DOWEL (a) FIRST.
- ONCE JOINED, TIGHTEN CAM LOCK (c) ONTO BOLT (b) USING PRE-DRILLED HOLES.
- COVER CAM HOLES WITH THE LONG PLASTIC COVER (f).

FIG 9



- TIGHTEN THE UPPER RIGHT BACK PANEL (Y) , THE UPPER LEFT BACK PANEL (X) , THE LOWER BACK PANEL (M) , AND THE METAL PLATE (g) BY USING THE 5/8" ROUND HEAD SCREW (d).

FIG 10

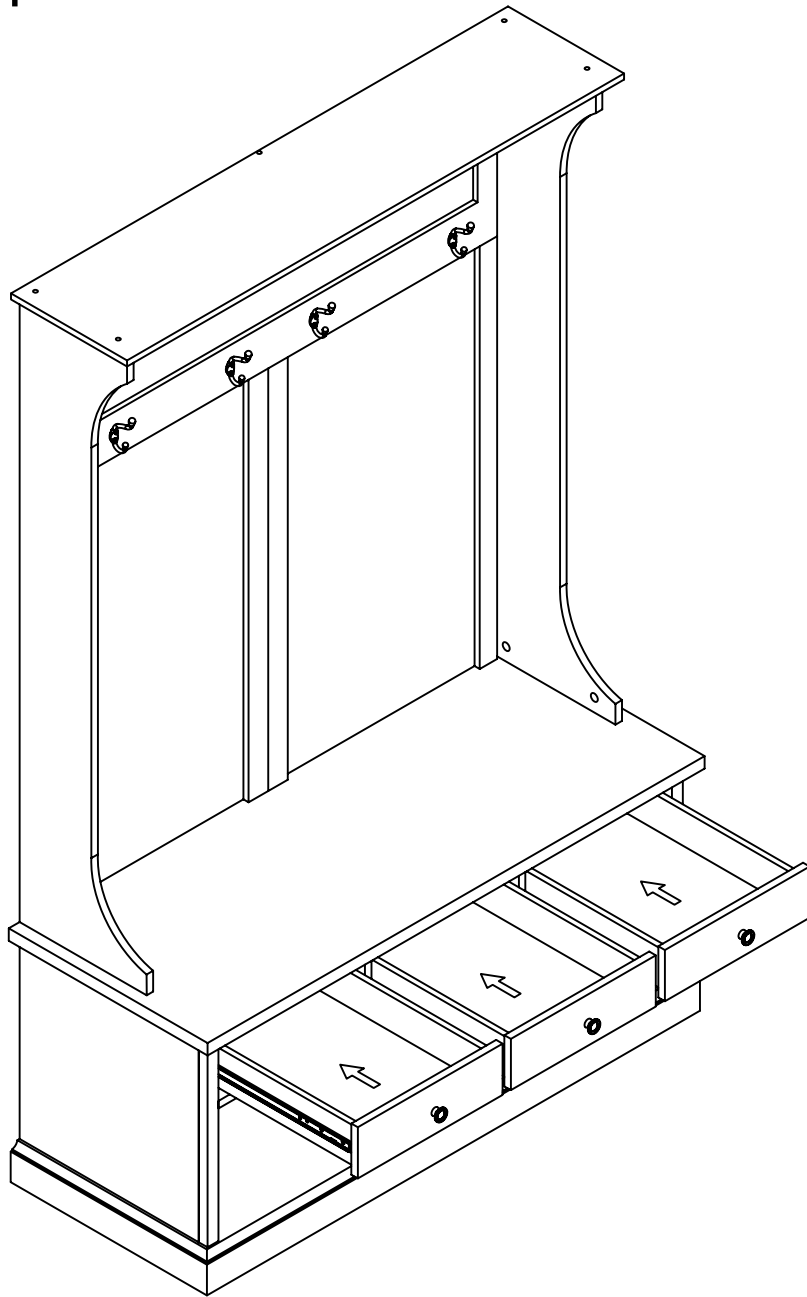


X 3

- INSTALL THE WOOD DOWEL (a) AND THE CAM LOCK BOLT (b) INTO THE DRAWER FRONT PANEL (O).
- JOIN THE DRAWER LEFT SIDE PANEL (P) AND THE DRAWER RIGHT SIDE PANEL (Q) TO THE DRAWER FRONT PANEL (O).
- ONCE JOINED, TIGHTEN CAM LOCK (c) ONTO CAM LOCK BOLT (b) USING PRE-DRILLED HOLES.
- COVER CAM HOLES WITH THE SHORT PLASTIC COVER (i).
- SLIDE THE DRAWER BOTTOM PANEL (H) INTO THE GROOVES ON THE DRAWER LEFT SIDE PANEL (P) AND THE DRAWER RIGHT SIDE PANEL (Q).
- JOIN THE DRAWER BACK PANEL (E) TO THE ASSEMBLED DRAWER PART AND TIGHTEN THE DRAWER BACK PANEL (E) BY USING THE 1" FLAT HEAD SCREW (m) THROUGH THE PRE-DRILLED HOLES ON THE SIDE PANELS.
- TIGHTEN THE KNOB (j) TO THE DRAWER FRONT PANEL (O) BY USING THE KNOB BOLT (n).
- REPEAT STEPS ABOVE FOR THE OTHER TWO DRAWERS.

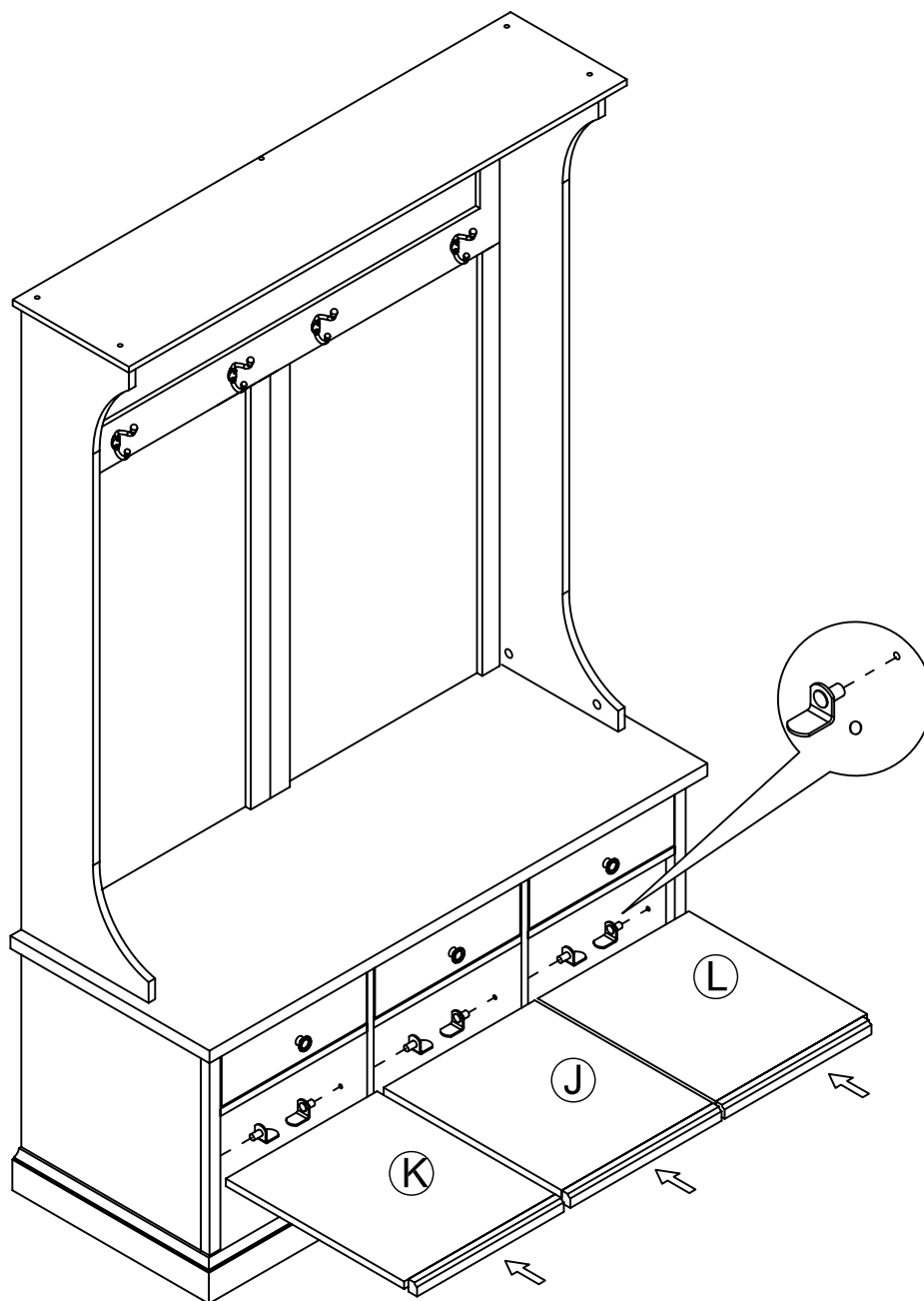


FIG 11



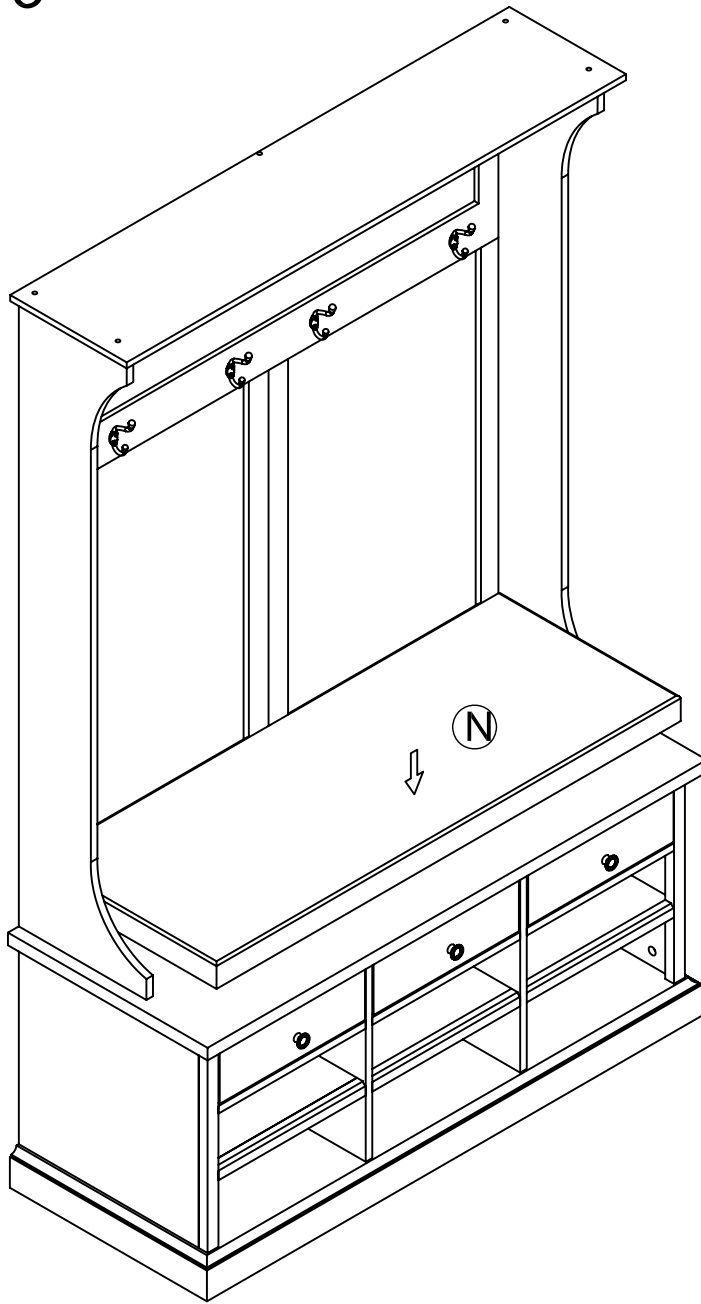
- INSERT DRAWERS INTO THE ASSEMBLED UNIT.

# FIG 12



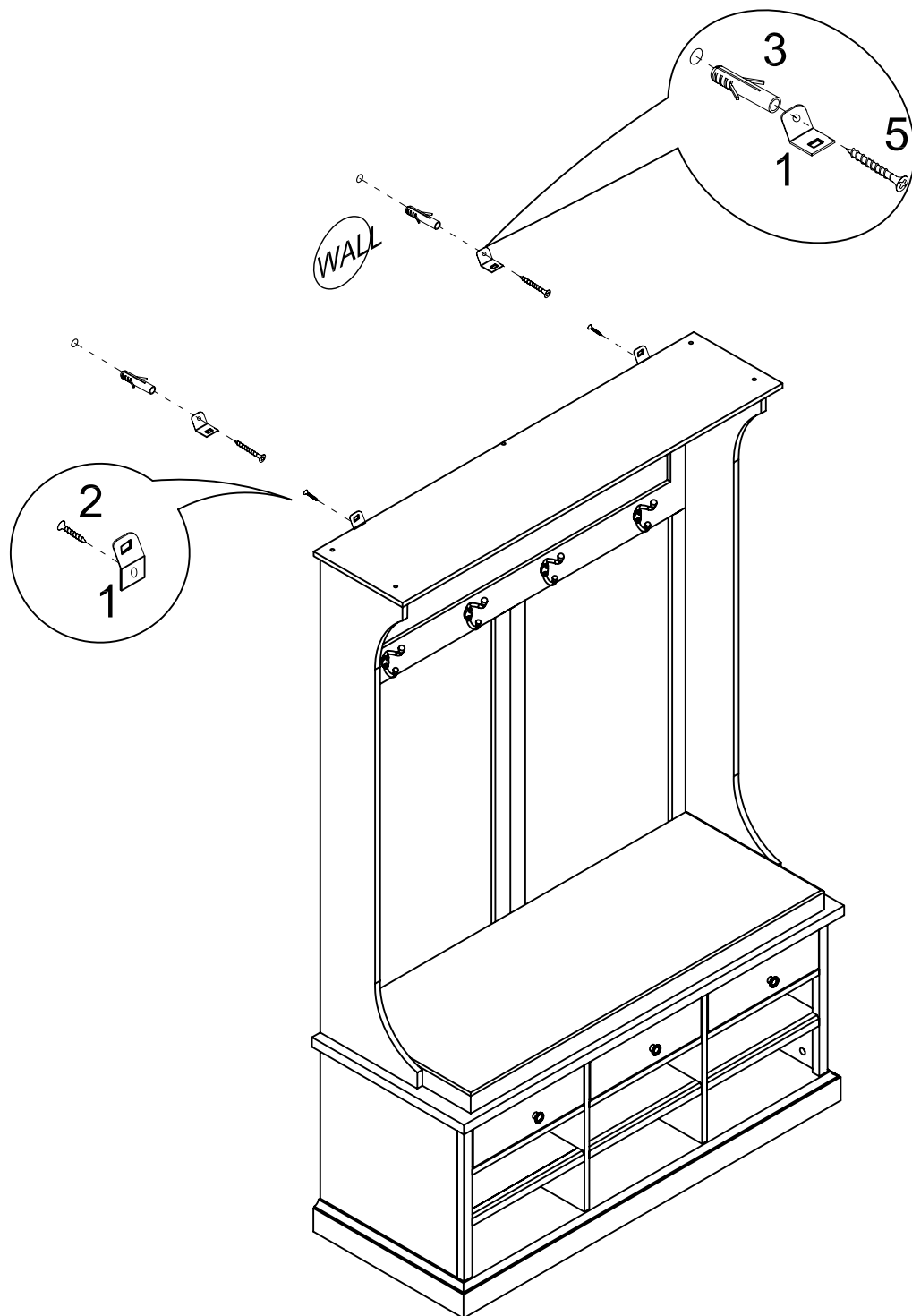
- PLACE THE SHELF PIN (o) INTO DESIRED POSITION AND PLACE THE LEFT SIDE ADJUSTABLE SHELF (K) , THE CENTER ADJUSTABLE SHELF (J) AND THE RIGHT SIDE ADJUSTABLE SHELF (L) ABOVE THE SHELF PIN (o).

FIG 13



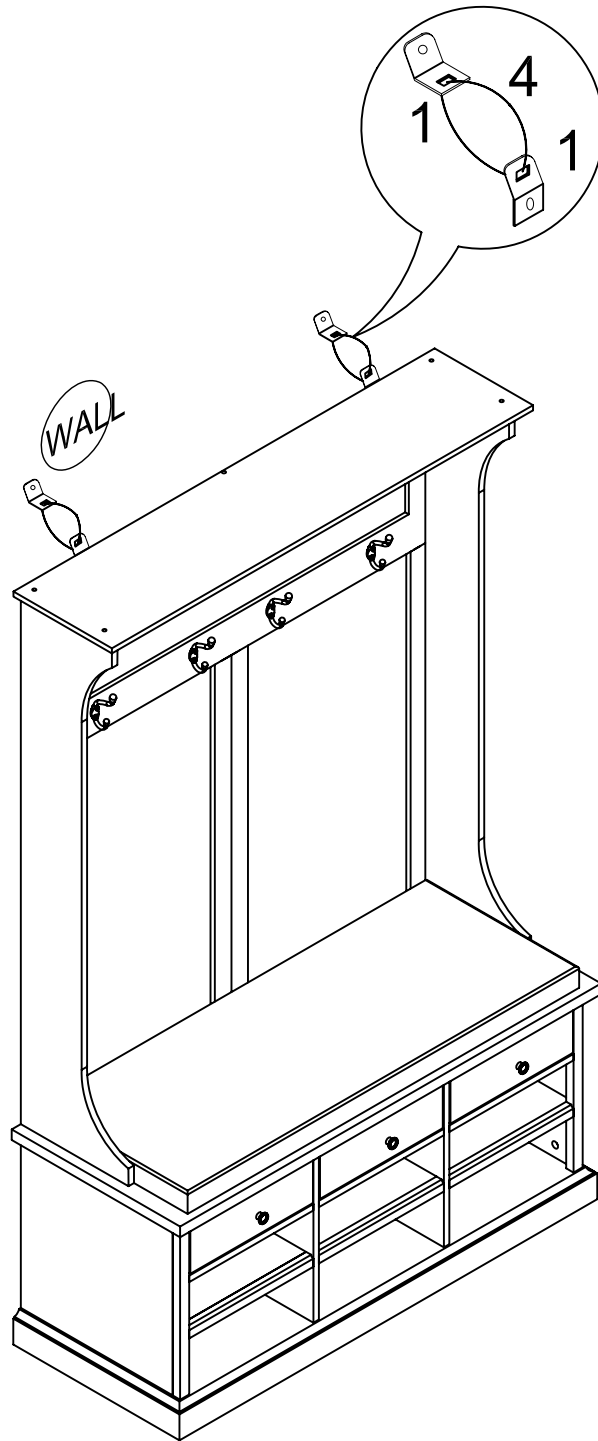
- PLACE THE CUSHION (N) ONTO THE FIXED PANEL (A).

# FIG 14



- TIGHTEN THE RECTANGLE METAL PLATE (1) TO THE REAR OF THE TOP PANEL (T) BY USING 1/2" FLAT HEAD SCREW (2).
- PLACE THE ASSEMBLED HALL TREE AT THE DESIRED POSITION. MARK THE INSERTION POINTS FOR THE PLASTIC ANCHOR (3).
- USING THE PROPER HARDWARE FOR YOUR WALL TYPE, DRILL 1/4" HOLES INTO THE WALL.
- TIGHTEN THE RECTANGLE METAL PLATE (1) TO THE PLASTIC ANCHOR (3) BY USING THE 1-1/2" FLAT HEAD SCREW (5).

FIG 15



- USING THE PLASTIC BAND (4) CONNECT TWO RECTANGLE METAL PLATES (1).