



Verdera®
Lighted Mirrored Cabinet
K-99009-TL

Features

- LED Task lighting intergrated into the front of the cabinet.
- 1100 Lux at 22", (24" door) provides optimal brightness.
- Light guides provide an even, consistent light.
- Internal shelf with integrated outlets to power and charge small devices such as toothbrushes and shavers.
- Adjustable glass shelves.
- Vertically adjustable magnifying mirror on the inside of the door.
- Triple mirror design gives superior visibility with mirrors on the front and back of the door as well as the back of the interior of the cabinet.
- 110° door swing with slow-close hinges.

Material

- Rust-Free aluminum construction provides a clean, lasting finish.

Installation

- Designed for surface or recess mount applications (side kits required for surface mount).
- Hang-and-secure mounting system for easier surface-mount installation.
- Recommend professional Electrician installation.

Required Accessories

K-99012 Side Mirror Kit

or

K-99675 Medicine Cabinet Side Kit

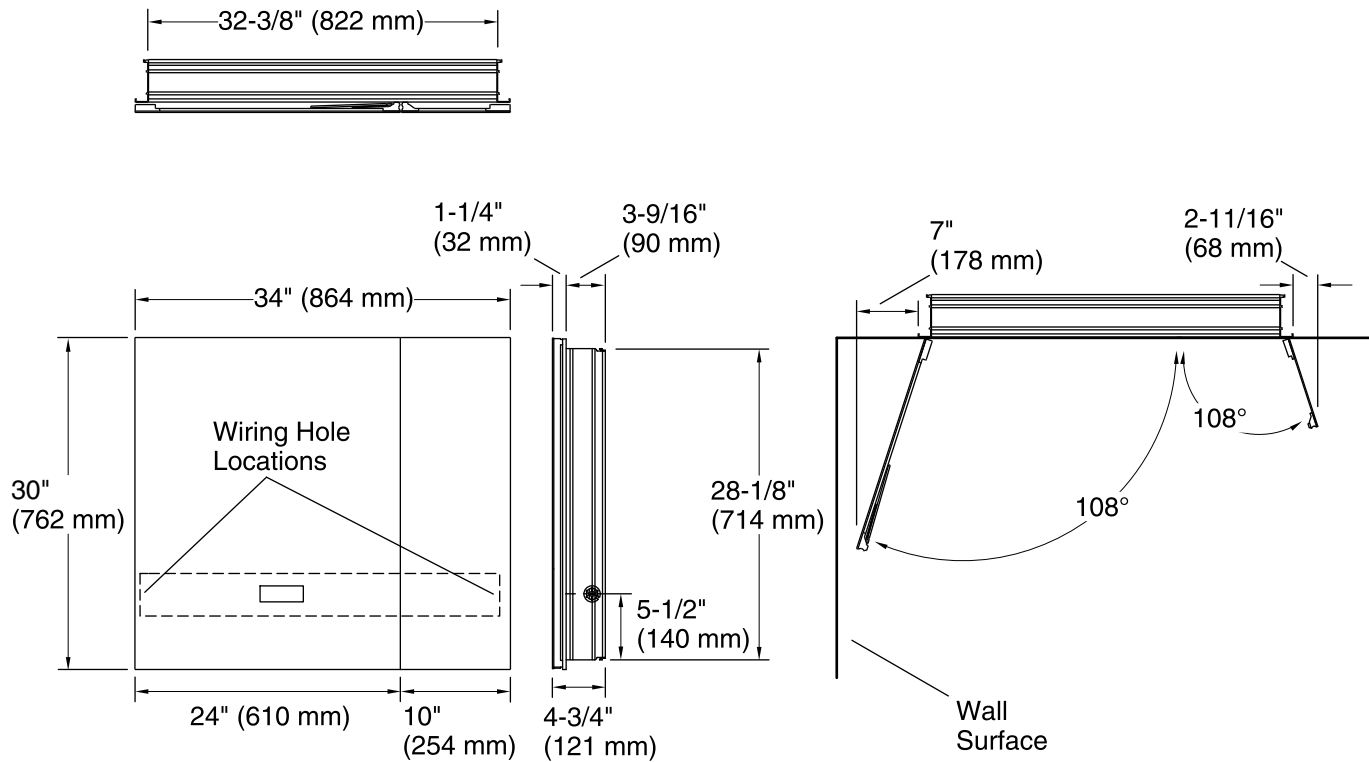


Codes/Standards

UL 962

KOHLER® One-Year Limited Warranty

See website for detailed warranty information.



Required Electrical Service

One circuit required, protected with Class A Ground-Fault Circuit-Interrupter (GFCI) or Residual Current Device (RCD).

Outlet, Lights: 120 V, 15 A, 60 Hz

Technical Information

All product dimensions are nominal.

Notes

Install this product according to the installation guide.

To recess mount, the wall cavity must be framed and the cabinet secured to framing studs. Reroute electrical or water supply lines from the cavity. Consult a professional if drain or vent piping is encountered, or if the wall is load-bearing.

To determine the height of the cabinet, ensure the door will clear all obstacles (such as a faucet). A minimum 3" (76 mm) distance is required.

Cutout for recess-mount installation: 32-1/2" (826 mm) wide x 28-1/4" (718 mm) high x 3-11/16" (94 mm) deep.

A dimmer switch is required. This product is compatible with most residential dimmer switches intended for incandescent and dimmable LED bulbs.