

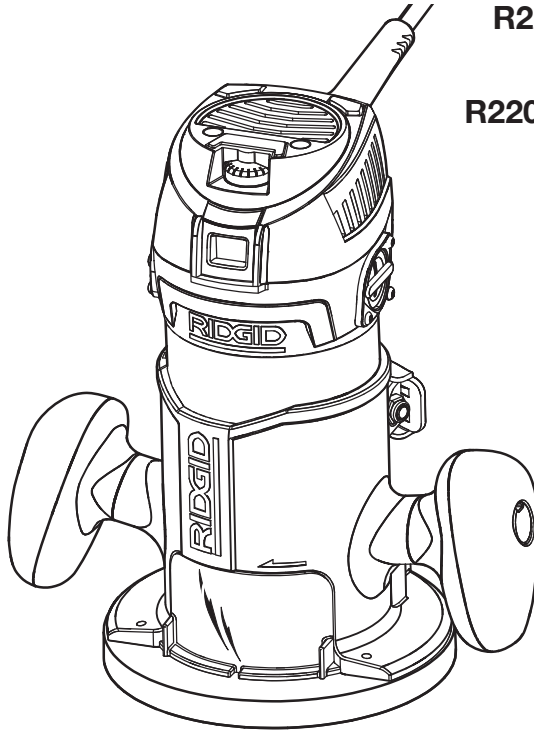


OPERATOR'S MANUAL MANUEL D'UTILISATION MANUAL DEL OPERADOR

R2200 ROUTER WITH R2901 MOTOR AND R2911 FIXED BASE,

R2200 TOUPIE AVEC R2901 MOTEUR ET
R2911 BASE FIXE

R2200 FRESADORA CON R2901 MOTOR Y
R2911 BASE FIJA



To register your RIDGID
product, please visit:
<http://register.RIDGID.com>

Pour enregistrer votre
produit de RIDGID,
s'il vous plaît la visite:
<http://register.RIDGID.com>

Para registrar su producto
de RIDGID, por favor visita:
<http://register.RIDGID.com>

Your router has been engineered and manufactured to our high standards for dependability, ease of operation, and operator safety. When properly cared for, it will give you years of rugged, trouble-free performance.

⚠ WARNING:

To reduce the risk of injury, the user must read and understand the operator's manual before using this product.

Thank you for buying a RIDGID® product.

SAVE THIS MANUAL FOR FUTURE REFERENCE

Cette toupie a été conçue et fabriquée conformément à nos strictes normes de fiabilité, simplicité d'emploi et sécurité d'utilisation. Correctement entretenue, elle vous donnera des années de fonctionnement robuste et sans problème.

⚠ AVERTISSEMENT :

Pour réduire les risques de blessures, l'utilisateur doit lire et veiller à bien comprendre le manuel d'utilisation avant d'employer ce produit.

Merci d'avoir acheté un produit RIDGID®.

**CONSERVER CE MANUEL POUR
FUTURE RÉFÉRENCE**

Su fresadora ha sido diseñado y fabricado de conformidad con nuestras estrictas normas para brindar fiabilidad, facilidad de uso y seguridad para el operador. Con el debido cuidado, le brindará muchos años de sólido y eficiente funcionamiento.

⚠ ADVERTENCIA:

Para reducir el riesgo de lesiones, el usuario debe leer y comprender el manual del operador antes de usar este producto.

Le agradecemos la compra de un producto RIDGID®.

**GUARDE ESTE MANUEL PARA
FUTURAS CONSULTAS**

TABLE OF CONTENTS

TABLE DES MATIÈRES / ÍNDICE DE CONTENIDO

■ Introduction	2
Introduction / Introducción	
■ General Safety Rules	3-4
Règles de sécurité générales / Reglas de seguridad generales	
■ Specific Safety Rules.....	4
Règles de sécurité particulières / Reglas de seguridad específicas	
■ Symbols.....	5
Symboles / Símbolos	
■ Electrical	6
Caractéristiques électriques / Aspectos eléctricos	
■ Features.....	6-7
Caractéristiques / Características	
■ Assembly	7-8
Assemblage / Armado	
■ Operation.....	8-12
Utilisation / Funcionamiento	
■ Adjustments.....	13
Réglages / Ajustes	
■ Maintenance	14
Entretien / Mantenimiento	
■ Accessories	14
Accessoires / Accesorios	
■ Warranty	15
Garantie / Garantía	
■ Figure numbers (illustrations)	16-19
Figure numéros (illustrations) / Figura numeras (ilustraciones)	
■ Parts Ordering and Service	Back page
Commande de pièces et réparation / Pedidos de piezas y servicio	

INTRODUCTION

INTRODUCTION / INTRODUCCIÓN

This product has many features for making its use more pleasant and enjoyable. Safety, performance, and dependability have been given top priority in the design of this product making it easy to maintain and operate.

* * *

Ce produit offre de nombreuses fonctions destinées à rendre son utilisation plus plaisante et satisfaisante. Lors de la conception de ce produit, l'accent a été mis sur la sécurité, les performances et la fiabilité, afin d'en faire un outil facile à utiliser et à entretenir.

* * *

Este producto ofrece numerosas características para hacer más agradable y placentero su uso. En el diseño de este producto se ha conferido prioridad a la seguridad, el desempeño y la fiabilidad, por lo cual se facilita su manejo y mantenimiento.

GENERAL SAFETY RULES

WARNING:

Read all instructions. Failure to follow all instructions listed below may result in electric shock, fire and/or serious injury. The term “power tool” in all of the warnings listed below refers to your mains-operated (corded) power tool or battery-operated (cordless) power tool.

SAVE THESE INSTRUCTIONS

WORK AREA SAFETY

- **Keep work area clean and well lit.** Cluttered or dark areas invite accidents.
- **Do not operate power tools in explosive atmospheres, such as in the presence of flammable liquids, gases or dust.** Power tools create sparks which may ignite the dust or fumes.
- **Keep children and bystanders away while operating a power tool.** Distractions can cause you to lose control.

ELECTRICAL SAFETY

- **Power tool plugs must match the outlet. Never modify the plug in any way. Do not use any adaptor plugs with earthed (grounded) power tools.** Unmodified plugs and matching outlets will reduce risk of electric shock.
- **Avoid body contact with earthed or grounded surfaces such as pipes, radiators, ranges and refrigerators.** There is an increased risk of electric shock if your body is earthed or grounded.
- **Do not expose power tools to rain or wet conditions.** Water entering a power tool will increase the risk of electric shock.
- **Do not abuse the cord. Never use the cord for carrying, pulling or unplugging the power tool. Keep cord away from heat, oil, sharp edges or moving parts. Damaged or entangled cords increase the risk of electric shock.**
- **When operating a power tool outdoors, use an extension cord suitable for outdoor use. Use of a cord suitable for outdoor use reduces the risk of electric shock.**

PERSONAL SAFETY

- **Stay alert, watch what you are doing and use common sense when operating a power tool. Do not use a power tool while you are tired or under the influence of drugs, alcohol or medication.** A moment of inattention while operating power tools may result in serious personal injury.
- **Use safety equipment. Always wear eye protection.** Safety equipment such as dust mask, non-skid safety shoes, hard hat, or hearing protection used for appropriate conditions will reduce personal injuries.
- **Avoid accidental starting. Ensure the switch is in the off-position before plugging in.** Carrying power tools

with your finger on the switch or plugging in power tools that have the switch on invites accidents.

- **Remove any adjusting key or wrench before turning the power tool on.** A wrench or a key left attached to a rotating part of the power tool may result in personal injury.
- **Do not overreach. Keep proper footing and balance at all times.** This enables better control of the power tool in unexpected situations.
- **Dress properly. Do not wear loose clothing or jewelry. Keep your hair, clothing and gloves away from moving parts.** Loose clothes, jewelry, or long hair can be caught in moving parts.
- **If devices are provided for the connection of dust extraction and collection facilities, ensure these are connected and properly used.** Use of these devices can reduce dust-related hazards.
- **Do not wear loose clothing or jewelry. Contain long hair.** Loose clothes, jewelry, or long hair can be drawn into air vents.
- **Do not use on a ladder or unstable support.** Stable footing on a solid surface enables better control of the power tool in unexpected situations.

POWER TOOL USE AND CARE

- **Do not force the power tool. Use the correct power tool for your application.** The correct power tool will do the job better and safer at the rate for which it was designed.
- **Do not use the power tool if the switch does not turn it on and off.** Any power tool that cannot be controlled with the switch is dangerous and must be repaired.
- **Disconnect the plug from the power source and/or the battery pack from the power tool before making any adjustments, changing accessories, or storing power tools.** Such preventive safety measures reduce the risk of starting the power tool accidentally.
- **Store idle power tools out of the reach of children and do not allow persons unfamiliar with the power tool or these instructions to operate the power tool.** Power tools are dangerous in the hands of untrained users.
- **Maintain power tools. Check for misalignment or binding of moving parts, breakage of parts, and any other condition that may affect the power tool's operation. If damaged, have the power tool repaired before use.** Many accidents are caused by poorly maintained power tools.
- **Keep cutting tools sharp and clean.** Properly maintained cutting tools with sharp cutting edges are less likely to bind and are easier to control.
- **Use the power tool, accessories and tool bits, etc., in accordance with these instructions and in the manner intended for the particular type of power tool, taking into account the working conditions and the work to be performed. Use of the power tool for operations different from those intended could result in a hazardous situation.**

GENERAL SAFETY RULES

SERVICE

- **Have your power tool serviced by a qualified repair person using only identical replacement parts.** This will ensure that the safety of the power tool is maintained.

WARNING!

To reduce the risk of injury, user must read instruction manual.

- **When servicing a power tool, use only identical replacement parts. Follow instructions in the maintenance section of this manual.** Use of unauthorized parts or failure to follow Maintenance instructions may create a risk of shock or injury.

SPECIFIC SAFETY RULES

- **Hold tool by insulated gripping surfaces when performing an operation where the cutting tool may contact hidden wiring or its own cord.** Contact with a “live” wire will make exposed metal parts of the cutting tool “live” and shock the operator.
- **Use clamps or another practical way to secure and support the workpiece to a stable platform.** Holding the work by hand or against your body leaves it unstable and may lead to loss of control.
- **Know your power tool. Read operator’s manual carefully. Learn its applications and limitations, as well as the specific potential hazards related to this tool.** Following this rule will reduce the risk of electric shock, fire, or serious injury.
- **Always wear eye protection with side shields marked to comply with ANSI Z87.1.** Failure to do so could result in objects being thrown into your eyes, resulting in possible serious injury.
- **Protect your lungs. Wear a face or dust mask if the operation is dusty.** Following this rule will reduce the risk of serious personal injury.
- **Protect your hearing. Wear hearing protection during extended periods of operation.** Following this rule will reduce the risk of serious personal injury.
- **Inspect tool cords periodically and, if damaged, have repaired at your nearest authorized service center. Constantly stay aware of cord location.** Following this rule will reduce the risk of electric shock or fire.
- **Check damaged parts. Before further use of the tool, a guard or other part that is damaged should be carefully checked to determine that it will operate properly and perform its intended function. Check for alignment of moving parts, binding of moving parts, breakage of parts, mounting, and any other conditions that may affect its operation. A guard or other part that is damaged should be properly repaired or replaced by an authorized service center.** Following this rule will reduce the risk of shock, fire, or serious injury.
- **Make sure your extension cord is in good condition. When using an extension cord, be sure to use one heavy enough to carry the current your product will draw. A wire gauge size (A.W.G.) of at least 14 is recommended for an extension cord 50 feet or less in length. A cord exceeding 50 feet is not recommended. If in doubt, use the next heavier gauge. The smaller the gauge number, the heavier the cord.** An undersized cord will cause a drop in line voltage resulting in loss of power and overheating.
- **Inspect for and remove all nails from lumber before using this tool.** Following this rule will reduce the risk of serious personal injury.
- **Bits coast after router has been turned off.**
- **Save these instructions.** Refer to them frequently and use them to instruct others who may use this product. If you loan someone this product, loan them these instructions also.

WARNING:




This product and some dust created by power sanding, sawing, grinding, drilling, and other construction activities contain chemicals, including lead, known to the State of California to cause cancer, birth defects and other reproductive harm. ***Wash hands after handling.*** Some examples of these chemicals are:

- lead from lead-based paints,
- crystalline silica from bricks and cement and other masonry products, and
- arsenic and chromium from chemically-treated lumber.





Your risk from these exposures varies, depending on how often you do this type of work. To reduce your exposure to these chemicals: work in a well ventilated area, and work with approved safety equipment, such as those dust masks that are specially designed to filter out microscopic particles.

SYMBOLS

The following signal words and meanings are intended to explain the levels of risk associated with this product.

SYMBOL	SIGNAL	MEANING
	DANGER:	Indicates an imminently hazardous situation, which, if not avoided, will result in death or serious injury.
	WARNING:	Indicates a potentially hazardous situation, which, if not avoided, could result in death or serious injury.
	CAUTION:	Indicates a potentially hazardous situation, which, if not avoided, may result in minor or moderate injury.
	CAUTION:	(Without Safety Alert Symbol) Indicates a situation that may result in property damage.

Some of the following symbols may be used on this product. Please study them and learn their meaning. Proper interpretation of these symbols will allow you to operate the product better and safer.

SYMBOL	NAME	DESIGNATION/EXPLANATION
	Safety Alert	Indicates a potential personal injury hazard.
	Read The Operator's Manual	To reduce the risk of injury, user must read and understand operator's manual before using this product.
	Eye Protection	Always wear eye protection with side shields marked to comply with ANSI Z87.1.
V	Volts	Voltage
A	Amperes	Current
Hz	Hertz	Frequency (cycles per second)
min	Minutes	Time
~	Alternating Current	Type or a characteristic of current
n_0	No Load Speed	Rotational speed, at no load
	Class II Construction	Double-insulated construction
.../min	Per Minute	Revolutions, strokes, surface speed, orbits etc., per minute

ELECTRICAL

DOUBLE INSULATION

Double insulation is a concept in safety in electric power tools, which eliminates the need for the usual three-wire grounded power cord. All exposed metal parts are isolated from the internal metal motor components with protecting insulation. Double insulated tools do not need to be grounded.

WARNING:

The double insulated system is intended to protect the user from shock resulting from a break in the tool's internal wiring. Observe all normal safety precautions to avoid electrical shock.

NOTE: Servicing of a tool with double insulation requires extreme care and knowledge of the system and should be performed only by a qualified service technician. For service, we suggest you return the tool to your nearest authorized service center for repair. Always use original factory replacement parts when servicing.

ELECTRICAL CONNECTION

This tool has a precision-built electric motor. It should be connected to a **power supply that is 120 volts, AC only (normal household current), 60 Hz**. Do not operate this tool on direct current (DC). A substantial voltage drop will cause a loss of power and the motor will overheat. If the tool does not operate when plugged into an outlet, double-check the power supply.

EXTENSION CORDS

When using a power tool at a considerable distance from a power source, be sure to use an extension cord that has the capacity to handle the current the tool will draw. An undersized cord will cause a drop in line voltage, resulting in overheating and loss of power. Use the chart to determine

the minimum wire size required in an extension cord. Only round jacketed cords listed by Underwriter's Laboratories (UL) should be used.

When working outdoors with a tool, use an extension cord that is designed for outside use. This type of cord is designated with "WA" or "W" on the cord's jacket.

Before using any extension cord, inspect it for loose or exposed wires and cut or worn insulation.

**Ampere rating (on tool data plate)

Cord Length	Wire Size (A.W.G.)					
	0-2.0	2.1-3.4	3.5-5.0	5.1-7.0	7.1-12.0	12.1-16.0
25'	16	16	16	16	14	14
50'	16	16	16	14	14	12
100'	16	16	14	12	10	—

**Used on 12 gauge - 20 amp circuit.

NOTE: AWG = American Wire Gauge

WARNING:

Keep the extension cord clear of the working area. Position the cord so that it will not get caught on lumber, tools or other obstructions while you are working with a power tool. Failure to do so can result in serious personal injury.

WARNING:

Check extension cords before each use. If damaged replace immediately. Never use tool with a damaged cord since touching the damaged area could cause electrical shock resulting in serious injury.

FEATURES

PRODUCT SPECIFICATIONS

Depth of Cut 2 in.
Collet 1/2 in. (with 1/4 in. Adaptor)
Peak Horsepower 2 HP

No Load Speed 10,000-23,000 r/min. (RPM)
Input 120 V, AC only, 60 Hz, 11 Amps

FEATURES

KNOW YOUR ROUTER

See Figure 1, page 16.

The safe use of this product requires an understanding of the information on the tool and in this operator's manual as well as a knowledge of the project you are attempting. Before use of this product, familiarize yourself with all operating features and safety rules.

CENTERING TOOL

The centering tool aligns the subbase with the center of the collet when reattaching the subbase to the router.

CHIP SHIELD

A clear plastic chip shield is installed on the front of the router for protection against flying dust and chips. The shield is designed to fit the opening of the router base.

LED WORKLIGHTS

The LED worklights, located on the bottom of the router motor, illuminate when the slide switch is on. This provides extra light for increased visibility.

ASSEMBLY

UNPACKING

This product has been shipped completely assembled.

- Carefully remove the product and any accessories from the box. Make sure that all items listed in the packing list are included.

WARNING:

Do not use this product if it is not completely assembled or if any parts appear to be missing or damaged. Use of a product that is not properly and completely assembled could result in serious personal injury.

-
- Inspect the product carefully to make sure no breakage or damage occurred during shipping.
 - Do not discard the packing material until you have carefully inspected and satisfactorily operated the product.
 - If any parts are damaged or missing, please call 1-866-539-1710 for assistance.

SLIDE SWITCH

The slide switch is located on top of the motor housing. It features a soft start to prolong motor life and gives the operator more control when starting the router.

SPINDLE LOCK

The spindle lock keeps the collet from turning while installing and removing bits.

VACUUM ADAPTOR

The vacuum adaptor attach to the router base for dust free routing when used in combination with a vacuum.

VARIABLE SPEED DIAL

The variable speed dial enables speed adjustment of the bit from 10,000 r/min. to 23,000 r/min.

PACKING LIST

Router Motor
Fixed Base
Router Table Attachment Screws (3)
1/4 in. Collet Adaptor
1-1/4 in. Vacuum Adaptor
Vacuum Adaptor Screws (2)
Centering Tool (includes cone and pin)
Collet Wrench
T-Handle Wrench
Tool Bag
Operator's Manual

WARNING:

If any parts are damaged or missing do not operate this product until the parts are replaced. Use of this product with damaged or missing parts could result in serious personal injury.

ASSEMBLY

WARNING:

Do not attempt to modify this product or create accessories not recommended for use with this tool. Any such alteration or modification is misuse and could result in a hazardous condition leading to possible serious personal injury.

WARNING:

Do not connect to power supply until assembly is complete. Failure to comply could result in accidental starting and possible serious personal injury.

OPERATION

WARNING:

Do not allow familiarity with this product to make you careless. Remember that a careless fraction of a second is sufficient to inflict serious injury.

WARNING:

Always wear eye protection with side shields marked to comply with ANSI Z87.1. Failure to do so could result in objects being thrown into your eyes, resulting in possible serious injury.

CAUTION:

Do not tighten the lock lever without the motor installed in the base. Failure to heed this caution may result in damage to the mechanism.

APPLICATIONS

You may use this product for the purposes listed below:

- Rout grooves, carve designs, mortise door jambs, and create joints in wood and wood products
- Cabinet making, routing counter tops, and finishing work in wood and wood products

REMOVING/INSTALLING ROUTER BASE

See Figures 2 - 3, page 16.

To remove the base:

- Unplug the router.
- Hold the router securely with the logo facing away from you.
- Unlock the lock lever on the base.

NOTE: It should not be possible to move the router motor with the lock lever locked. If movement is possible with the lock lever locked, an adjustment to the lock lever needs to be made. See *Adjustments*.

- Hold the handles and pull the depth interlock lever from the slot in the motor.

- Lift the motor up while pulling the depth interlock lever until the depth interlock lever tab passes out of the slot area.
- After the tab has cleared the slot, release the depth interlock lever.
- Pull the motor upward until it dislodges from the base. Use caution, as forcing may result in permanent damage to the locking mechanism.

To install the base:

- Unplug the router.
- With the base right side up, unlock the lock lever.
NOTE: DO NOT leave the lock lever the in the locked position.
- Align slot on base with pin on motor and slide motor into the base until it stops.
- Pull the depth interlock lever.
- Place the depth interlock lever tab in the slot on the motor.
- Lock the lock lever.

WARNING:

If the collet nut is not securely tightened, the bit may detach during use, causing serious personal injury.

WARNING:

Do not use bits which are larger than 2-1/4 in. Never use bits which are larger in diameter than the opening in the router subbase. These situations could cause possible loss of control or create other hazardous conditions that could cause possible serious personal injury.

CAUTION:

To prevent damage to the spindle or spindle lock, always allow motor to come to a complete stop before engaging the spindle lock.

OPERATION

WARNING:

If you are changing a bit immediately after use, be careful not to touch the collet nut, bit, or collet with your hands or fingers. You will get burned because of the heat build-up from cutting. Always use the wrench provided.

INSTALLING/REMOVING COLLETS AND BITS

See Figures 4 - 5, page 16.

- Unplug the router.
- Depress and hold the spindle lock button.
NOTE: If the button is depressed and does not go all the way in, turn the collet while continuing to push the spindle lock button until the button locks into place.
- Using the collet wrench provided, loosen the collet nut.
NOTE: If changing bits, bit will easily slip from collet after loosening.
- Install the collet adaptor if desired.

To install the adaptor:

- Insert the 1/4 in. collet adaptor into the collet until it bottoms out.
NOTE: The collet is designed to hold bits with a 1/2 in. diameter shank. To use bits with a 1/4 in. diameter shank, the 1/4 in. collet adaptor must first be installed.
- Insert the desired bit until the cutting area of the bit is approximately 1/8 in. to 1/4 in. away from the collet nut face.
NOTE: Make sure that the collet always clamps the shank (non-cutting end) of the bit.
- Tighten the collet nut securely by turning it clockwise with the wrench provided.
NOTE: Always make sure a bit is installed before attempting to tighten the collet with the wrench. Using the wrench to tighten the collet without a bit installed will cause damage to the collet.

- Release the spindle lock.

To remove the bit:

- Hold the collet nut with the supplied wrench and depress and hold the spindle lock until it locks into place.
NOTE: If the button is depressed and does not go all the way in, turn the collet until the spindle lock button locks into place.
 - Loosen the collet nut and remove the bit.
 - Release the spindle lock if necessary.
-

WARNING:

Bit continues to rotate after the router has been turned off. To avoid injury, wait until the bit has come to a complete stop before removing router from the workpiece.

SELECTING DEPTH OF CUT

Proper depth of cut depends on several factors: the horsepower of the router motor, the type of bit, and the type of wood. A lightweight, low horsepower router is designed for making shallow cuts; a router with higher horsepower is designed for deeper cuts. Small bits, such as veining bits with 1/16 in. cutting diameters, are designed to remove only small amounts of wood. Large bits, such as straight-flute bits, remove larger amounts of wood and make deeper cuts in soft woods, such as white pine.

Choose a depth of cut that will not place excessive strain on the router motor. If you need extra force or the motor speed slows down considerably, turn off the router and reduce the depth of cut. Then, make the cut in two or more passes.

When routing a groove that is too deep to safely cut in one pass, make the cut in several passes. We recommend that cuts be made at a depth not exceeding 1/8 in. and that several passes be made to reach deeper cuts.

SETTING DEPTH OF CUT

See Figures 6 - 7, page 17.

The bit depth can be adjusted by turning the depth adjustment knob clockwise or counterclockwise. The depth setting can be read on the depth adjustment knob. Each mark on the scale indicates a 1/64 in. change in depth setting.

- Unplug the router.
- Unlock the lock lever.
- Turn the depth adjustment knob counterclockwise to increase the depth of cut or clockwise to decrease the depth of cut.
NOTE: It should not be possible to make depth adjustments with the lock lever locked. If depth adjustments are possible with the lock lever locked, an adjustment to the lock lever needs to be made. See *Adjustments*.

- When the desired depth of cut is set, lock the lock lever.
NOTE: To adjust the depth of cut when the router is mounted to a router table, unlock the lock lever, turn the depth adjustment knob until the bit reaches the desired depth of cut, and lock the lock lever.

When the router is mounted to a router table, depth adjustments can be made easily by using the supplied T-handle wrench.

To make through table adjustments:

- Unplug the router.
- Loosen the lock lever.
- Insert the T-handle wrench through the hole in the router table into the hole on the subbase, and place the end of the wrench socket over the adjusting nut.
- Turn the wrench counterclockwise to decrease the depth of cut or clockwise to increase the depth of cut.

OPERATION

NOTE: It should not be possible to make depth adjustments with the lock lever locked. If depth adjustments are possible with the lock lever locked, an adjustment to the lock lever needs to be made. See *Adjustments*.

- When the desired depth of cut is set, lock the lock lever.

WARNING:

Do not use with router tables that fail to conform to safe woodworking practices and offer proper guarding for the bit. Use router tables that are UL classified and identified suitable for use with the specific router model. Failure to comply can result in an accident causing possible injury.

WARNING:

Only use router tables with proper guarding for the bit and with on-board switch controlled receptacles. Failure to use router tables with appropriate safety features could result in serious personal injury.

TURNING THE ROUTER ON AND OFF

See *Figure 8, page 17*.

The router features a soft start which allows for a gradual increase in speed from 0/min. to the variable speed dial setting. For example, if the router is set at 16,000/min. at the time it is switched off and is then activated again, the motor is designed to gradually rev up to that speed instead of starting out at the full 16,000/min.

To turn the router on, push the switch to the (I) or **ON** position. Return the switch to the (O) or **OFF** position when routing operation is finished.

VARIABLE SPEED DIAL

See *Figure 9, page 17*.

The router has a variable speed dial designed to allow the operator control and adjustment of speed and power limits. The speed and power of the router can be increased or decreased by rotating the variable speed dial in the direction of the arrows.

NOTE: Hold the router in normal operating position and turn the variable speed dial to the higher numbers to increase speed and power. Turn to the lower numbers to decrease speed and power.

Avoid running the router at low speeds for extended periods of time. Running at low speeds under constant usage may cause the router to become overheated. If this occurs, cool the router by running it without a load and at full speed.

To adjust the router speed, turn the variable speed dial to the desired speed setting.

OPERATING THE ROUTER

See *Figures 10 - 11, page 17*.

When routing straight cuts across a workpiece, clamp a straight edge to the workpiece to use as a guide.

NOTE: Edge guides for the router are also available. See *Accessories*.

Position the straight edge parallel to the line of cut and offset the distance between the cutting edge of the bit and the edge of the router base. Hold the router base against the straight edge and rout the groove.

When routing a groove wider than the diameter of the bit, clamp a straight edge on both sides of the cut lines. Position both guides parallel to the desired line of cut and spaced equal distances from the desired edges of the groove. Rout along one guide then reverse direction and rout along the other guide. Clean out any remaining waste in the center of the groove.

When routing a groove, the travel should be in a direction that places the guide you are using at the right-hand side. When the guide is positioned as shown in the “guide inside” illustration (figure 14), tool travel should be from left to right and counterclockwise around curves. When the guide is positioned as shown in the “guide outside” illustration (figure 14), tool travel should be from right to left and clockwise around curves. If there is a choice, the first setup is generally the easier to use. In either case, the sideways thrust you use is against the guide.

INTERNAL ROUTING

- Tilt router and place on workpiece without the bit contacting the workpiece.
- Turn the router on and let the motor build up to full speed.
- Gradually feed bit into the workpiece until the subbase is level with the workpiece.
- Upon completion of the cut, turn the router off and let the bit come to a complete stop before removing the router from the workpiece.

EDGE ROUTING

- Clamp a straight edge to the workpiece as a guide.
- Place the router on the edge of the workpiece without the bit contacting the workpiece.
- Turn router on and let the motor build up to full speed.
- Gradually feed the bit into the workpiece using the clamped straight edge as a guide.
- Upon completion of the cut, turn the router off and let the bit come to a complete stop before removing the router from the workpiece.

OPERATION

WARNING:

Do not use large router bits for freehand routing. Use of large router bits when freehand routing could cause loss of control or create other hazardous conditions that could result in personal injury. If using a router table, large bits should be used for edging only.

FREEHAND ROUTING

See Figure 12, page 17.

When used freehand, the router becomes a flexible and versatile tool. This flexibility makes it possible to easily rout signs, relief sculptures, etc. When freehand routing:

- Draw or layout the pattern on the workpiece.
- Choose the appropriate bit.

NOTE: A core box or V-groove bit is often used for routing letters and engraving objects. Straight bits and ball mills are often used to make relief carvings. Veining bits are used to carve small, intricate details.

- Rout the pattern in two or more passes. Make the first pass at 25% of the desired depth of cut. This will provide better control as well as being a guide for the next pass.

NOTE: Do not rout deeper than 1/8 in. per pass.

EDGING WITH PILOT BIT

See Figure 13, page 17.

The arbor-type bits with pilots are excellent for quick, easy, edge shaping of any workpiece edge that is either straight or curved at a curvature as great or greater than the radius of the bit to be used. The pilot prevents the bit from making too deep a cut; and holding the pilot firmly in contact with the workpiece edge throughout prevents the cut from becoming too shallow.

Whenever the workpiece thickness together with the desired depth of cut (as adjusted by router depth setting) are such that only the top part of the edge is to be shaped (leaving at least a 1/16 in. thick uncut portion at bottom), the pilot can ride against the uncut portion, which serves to guide it. However, if the workpiece is too thin or the bit set too low so that there will be no uncut edge to ride the pilot against, an extra board to act as a guide must be placed under the workpiece. This “guide” board must have exactly the same contour— straight or curved—as the workpiece edge. If it is positioned so that its edge is flush with the workpiece edge, the bit will make a full cut (in as far as the bit radius). On the other hand, if the guide is positioned as shown in figure 12 (out from the workpiece edge), the bit will make less than a full cut — which will alter the shape of the finished edge.

NOTE: Any of the piloted bits can be used without a pilot for edge shaping with guides, as preceding. The size (diameter) of the pilot that is used determines the maximum cut width that can be made with the pilot against the workpiece edge

(the small pilot exposes all of the bit; the large one reduces this amount by 1/16 in.).

DIRECTION OF FEED AND THRUST

See Figures 14 - 15, pages 17 - 18.

The router motor and bit revolve in a clockwise direction. This gives the tool a slight tendency to twist in a counterclockwise direction, especially when the motor revs up.

Feed the router into the workpiece from left to right. When fed from left to right, the rotation of the bit pulls the router against the workpiece. If fed in the opposite direction, the rotation of the spinning bit will tend to throw the router away from the workpiece causing kickback. This could cause you to lose control of the router.

Because of the high speed of bit rotation during a proper feeding operation, there is very little kickback under normal conditions. However, if the bit strikes a knot, hard grain, or foreign object that affects the normal progress of the cutting action, there will be a slight kickback. The direction of kickback is always in the direction opposite bit rotation. This will affect the trueness of the cut.

To guard against kickback, plan the setup and direction of feed so that you will always be thrusting the tool in the same direction that the leading edge of the bit is moving. The thrust should be in a direction that keeps the sharp edges of the bit continuously biting straight into new (uncut) wood.

NOTE: For best results, make sure to take enough time to set up for cutting. While cutting, make sure to use the proper rate of feed.

PROPER RATE OF FEED

Professional routing depends upon careful setup and proper rate of feed which is learned through practice and use. The proper rate of feed is dependent upon:

- hardness and moisture content of the workpiece
- depth of cut
- cutting diameter of the bit

When cutting shallow grooves in soft woods such as pine, a faster rate of feed can be used. When making cuts in hardwoods such as oak, a slower rate of feed is required.

Several factors will help you select the proper rate of feed.

- Choose the rate that does not slow down the motor.
- Choose the rate at which the bit advances firmly and surely to produce a continuous spiral of uniform chips or a smooth edge.
- Listen to the sound of the motor. A high-pitched sound means you are feeding too slowly. A strained, lower pitched sound signals force feeding.
- Check the progress of each cut. Too slow feeding can cause the router to take off in a wrong direction from the intended line of cut. Force feeding increases the strain of holding the tool and results in loss of speed.

OPERATION

- Notice the chips being produced as you cut. If the router is fed too slowly, it will scorch or burn the wood. If fed too fast, it will take large chips out of the wood and leave gouge marks.

Test a cut on a scrap piece of the workpiece before you begin. Always grasp and hold the router firmly with both hands.

If you are making a small diameter, shallow groove in soft, dry wood, the proper feed rate may be determined by the speed at which you can travel the router along the guide line. If the bit is a large one, the cut is deep, or the workpiece is hard to cut, the proper feed may be a very slow one. A cross grain cut may require a slower pace than an identical with grain cut in the same workpiece.

FEEDING TOO FAST

See Figure 16, page 18.

Clean, smooth routing and edge shaping can be done only when the bit is revolving at a relatively high speed and is taking very small bites to produce tiny, cleanly severed chips. If you force the router to move forward too fast, the RPM of the bit becomes slower than normal in relation to its forward movement. As a result, the bit must take bigger bites as it revolves. Bigger bites mean bigger chips and a rougher finish. Also, because bigger bites require more power, the router motor may become overloaded.

Under extreme force-feeding conditions, the relative RPM of the bit can become so slow—and the bites it has to take so large—that chips will be partially knocked off (rather than fully cut off). This causes splintering and gouging of the workpiece.

The router is an extremely high-speed tool, and will make clean, smooth cuts if allowed to run freely without the overload of a forced feed. You can always detect force feeding by the sound of the motor. Its high-pitched whine will sound lower and stronger as it loses speed. Also, the strain of holding the tool will be noticeably increased.

FEEDING TOO SLOWLY

See Figure 17, page 18.

It is possible to spoil a cut by moving the router forward too slowly. When you advance the router into the work too slowly, the revolving bit does not dig into new wood fast enough to take a bite; instead, it merely scrapes away sawdust-like particles. Scraping produces heat, which can glaze, burn, or mar the cut and in extreme cases, can overheat the bit, destroying its hardness.

When the bit is scraping instead of cutting, controlling the router is more difficult. With practically no load on the motor, the bit revolves at close to top RPM, and has a much greater than normal tendency to bounce off the sides of the cut (especially if the wood has a pronounced grain with hard and soft areas). As a result, the cut produced may have rippled, instead of straight, sides.

Feeding too slowly can also cause the router to take off in a wrong direction from the intended line of cut. Always grasp and hold the router firmly with both hands when routing.

You can detect when you are feeding the router too slowly by the runaway, high-pitched sound of the motor or by feeling the wiggle of the bit in the cut.

DEPTH OF CUT

See Figures 18 - 19, page 18.

Depth of cut is important because it affects the rate of feed that, in turn, affects the quality of the cut and the possibility of damage to the tool's motor and bit.

A deep cut requires a slower feed than a shallow one. A cut that is too deep will slow the feed so that the bit is scraping rather than cutting. A too deep cut can cause smaller bits to be broken off. Bits that are 1/16 in. in diameter are easily broken off when subjected to too much side thrust. A large enough bit is not likely to break, but attempting a cut that is too deep may result in a rough cut, and it may be difficult to guide and control the bit as desired. It is recommended that you do not exceed 1/8 in. depth or width of cut in a single pass, regardless of the bit size or the softness or condition of the workpiece.

To make deeper cuts, make as many successive passes as needed, lowering the bit 1/8 in. for each new pass. To save time, perform all the cutting necessary at one depth setting before lowering the bit for the next pass. This will insure a uniform depth when you complete the final pass.

NOTE: Do not remove more than 1/8 in. x 1/8 in. in a single pass. Excessive depth or width of cut can result in loss of control and the possibility of serious personal injury.

ADJUSTMENTS

ADJUSTING LOCK LEVER TENSION ON THE FIXED BASE ROUTER

See Figure 20, page 18.

Over time and with repeated use, the lock lever may become loose. When this occurs, tighten the stop nut slightly. The stop nut should be loose enough so that there is some play in the lock lever when it is in the open position.

NOTE: Do not over tighten the stop nut. The lock lever should clamp tightly to secure the motor housing.

CAUTION:

Make sure the motor housing does not move up or down when clamped. If motor is not securely clamped in base, adjustments will not be accurate.

WARNING:

Follow the proper provided instructions from the router table manufacturer when mounting router to a routing table. Failure to use router tables with appropriate safety features could result in serious personal injury. Use router tables that are UL classified and identified suitable for use with the specific router model.

CENTERING TOOL

See Figures 21 - 23, pages 18 - 19.

If the subbase needs to be replaced, removed, or changed, a centering tool is provided. The 1/4-in. collet adaptor must be removed before the centering tool can be used.

To remove the subbase on the router:

- Unplug the router and stand it upside down.
- Remove the three (3) subbase screws on the base.
- Remove the router subbase.

To install the centering tool and subbase:

- Unplug the router and stand it upside down.
- Unlock the lock lever and adjust the depth adjustment knob (raising or lowering the base). Center the depth interlock lever with the lock lever.
- Place the lock lever in the the “locked” position.

- Place the subbase on the base and insert the subbase screws.
- Tighten screws lightly so that the subbase can move freely.
- Hold the collet nut with the supplied wrench and depress and hold the spindle lock until it locks into place.
- Loosen the collet nut, be sure the 1/4 in. adaptor has been removed from the 1/2 in. collet.
- Insert the large end of the centering tool pin into the collet until it touches bottom. Pull centering tool upward until the tapered edge is flush with the subbase. Tighten the collet securely with the wrench provided.
- Release the spindle lock.
- Place the centering cone on the centering tool and lightly press down on the cone until it stops as shown in figure 20. This will center the subbase.
- While pressing down on the cone, tighten the subbase screws.

To remove the centering tool:

- Unplug the router.
- Hold the collet nut with the supplied wrench and depress and hold the spindle lock until it locks into place.
- Loosen the collet nut and remove the centering tool.
- Release the spindle lock.

ROUTER TABLE ATTACHMENT

See Figure 23, page 19.

When attaching the router to a routing table, remove the subbase, and use the router table attachment screws provided with the router. Use these screws to replace the subbase screws shown in figure 23.

ATTACHING/REMOVING VACUUM ADAPTOR

See Figure 24, page 19.

- Unplug the router.
- Using the supplied screws, place the vacuum adaptor on the base with the openings in the vacuum adaptor lined up with the screw holes on the back of the base.
- Insert the supplied vacuum adaptor screws.
- Turn screws clockwise with a screwdriver to tighten.
- To remove, turn screws counterclockwise.

MAINTENANCE

⚠ WARNING:

When servicing use only identical RIDGID replacement parts. Use of any other parts may create a hazard or cause product damage.

⚠ WARNING:

Always wear eye protection with side shields marked to comply with ANSI Z87.1. Failure to do so could result in objects being thrown into your eyes, resulting in possible serious injury.

GENERAL MAINTENANCE

Avoid using solvents when cleaning plastic parts. Most plastics are susceptible to damage from various types of commercial solvents and may be damaged by their use. Use clean cloths to remove dirt, dust, oil, grease, etc.

⚠ WARNING:

Do not at any time let brake fluids, gasoline, petroleum-based products, penetrating oils, etc., come in contact with plastic parts. Chemicals can damage, weaken or destroy plastic which may result in serious personal injury.

ACCESSORIES

See Figure 25, page 19.

Look for these accessories where you purchased this product:

- Edge Guide Assembly*.....Part no. 300869006
- Dovetail Joint Template Kit
- Butt Hinge Template Set
- Router Guide Bushing Kit

* Available through customer service only. Call 1-866-539-1710 to order.

⚠ WARNING:

Current attachments and accessories available for use with this product are listed above. Do not use any attachments or accessories not recommended by the manufacturer of this product. The use of attachments or accessories not recommended can result in serious personal injury.

Electric tools used on fiberglass material, wallboard, spackling compounds, or plaster are subject to accelerated wear and possible premature failure because the fiberglass chips and grindings are highly abrasive to bearings, brushes, commutators, etc. Consequently, we do not recommend using this tool for extended work on these types of materials. However, if you do work with any of these materials, it is extremely important to clean the tool using compressed air.

LUBRICATION

All of the bearings in this tool are lubricated with a sufficient amount of high grade lubricant for the life of the unit under normal operating conditions. Therefore, no further lubrication is required.

CLEANING THE BITS

Get faster more accurate cutting results by keeping bits clean and sharp. Remove all accumulated pitch and gum from bits after each use. When sharpening bits, sharpen only the inside of the cutting edge. Never grind the outside diameter. When sharpening the end of a bit, be sure to grind the clearance angle the same as originally ground.

CLEANING THE COLLET

From time to time, it becomes necessary to clean the collet and collet nut. To do so, simply remove collet nut from collet and clean the dust and chips that have collected. Then return collet nut to its original position.

NOTE: FIGURES (ILLUSTRATIONS) START ON PAGE 16 AFTER FRENCH AND SPANISH LANGUAGE SECTIONS.

WARRANTY

RIDGID® HAND HELD AND STATIONARY POWER TOOL

3 YEAR LIMITED SERVICE WARRANTY

Proof of purchase must be presented when requesting warranty service.

Limited to RIDGID® hand held and stationary power tools purchased 2/1/04 and after. This product is manufactured by One World Technologies, Inc. The trademark is licensed from RIDGID, Inc. All warranty communications should be directed to One World Technologies, Inc., attn: RIDGID Hand Held and Stationary Power Tool Technical Service at (toll free) 1-866-539-1710.

90-DAY SATISFACTION GUARANTEE POLICY

During the first 90 days after the date of purchase, if you are dissatisfied with the performance of this RIDGID® Hand Held and Stationary Power Tool for any reason you may return the tool to the dealer from which it was purchased for a full refund or exchange. To receive a replacement tool you must present proof of purchase and return all original equipment packaged with the original product. The replacement tool will be covered by the limited warranty for the balance of the 3 YEAR service warranty period.

WHAT IS COVERED UNDER THE 3 YEAR LIMITED SERVICE WARRANTY

This warranty on RIDGID® Hand Held and Stationary Power Tools covers all defects in workmanship or materials and normal wear items such as brushes, chucks, motors, switches, cords, gears and even cordless batteries in this RIDGID® tool for three years following the purchase date of the tool. Warranties for other RIDGID® products may vary.

HOW TO OBTAIN SERVICE

To obtain service for this RIDGID® tool you must return it; freight prepaid, or take it in to an authorized service center for RIDGID® branded hand held and stationary power tools. You may obtain the location of the authorized service center nearest you by calling (toll free) 1-866-539-1710 or by logging on to the RIDGID® website at www.ridgid.com. When requesting warranty service, you must present the original dated sales receipt. The authorized service center will repair any faulty workmanship, and either repair or replace any part covered under the warranty, at our option, at no charge to you.

WHAT IS NOT COVERED

This warranty applies only to the original purchaser at retail and may not be transferred. This warranty only covers defects arising under normal usage and does not cover any malfunction, failure or defect resulting from misuse, abuse, neglect, alteration, modification or repair by other than an authorized service center for RIDGID® branded hand held and stationary power tools. Consumable accessories provided with the tool such as, but not limited to, blades, bits and sand paper are not covered.

RIDGID, INC. AND ONE WORLD TECHNOLOGIES, INC. MAKE NO WARRANTIES, REPRESENTATIONS OR PROMISES AS TO THE QUALITY OR PERFORMANCE OF ITS POWER TOOLS OTHER THAN THOSE SPECIFICALLY STATED IN THIS WARRANTY.

ADDITIONAL LIMITATIONS

To the extent permitted by applicable law, all implied warranties, including warranties of MERCHANTABILITY or FITNESS FOR A PARTICULAR PURPOSE, are disclaimed. Any implied warranties, including warranties of merchantability or fitness for a particular purpose, that cannot be disclaimed under state law are limited to three years from the date of purchase. One World Technologies, Inc. and RIDGID, Inc. are not responsible for direct, indirect, incidental or consequential damages. Some states do not allow limitations on how long an implied warranty lasts and/or do not allow the exclusion or limitation of incidental or consequential damages, so the above limitations may not apply to you. This warranty gives you specific legal rights, and you may also have other rights which vary from state to state.

One World Technologies, Inc.

P.O Box 35 Highway 8

Pickens, SC 29671

RÈGLES DE SÉCURITÉ GÉNÉRALES

AVERTISSEMENT :

Lire toutes les instructions. Le non-respect de toutes les instructions ci-dessous peut entraîner un choc électrique, un incendie et/ou des blessures graves. Le terme « outil électrique », utilisé dans tous les avertissements ci-dessous, désigne tout outil fonctionnant sur secteur (câblé) ou sur batteries (sans fil).

CONSERVER CES INSTRUCTIONS

SÉCURITÉ DU LIEU DE TRAVAIL

- **Garder le lieu de travail propre et bien éclairé.** Les endroits encombrés ou sombres sont propices aux accidents.
- **Ne pas utiliser d'outils électriques dans des atmosphères explosives, par exemple en présence de liquides, gaz ou poussières inflammables.** Les outils électriques produisent des étincelles risquant d'enflammer les poussières ou vapeurs.
- **Garder les enfants et badauds à l'écart pendant l'utilisation d'un outil électrique.** Les distractions peuvent causer une perte de contrôle.

SÉCURITÉ ÉLECTRIQUE

- **Les fiches des outils électriques doivent correspondre à la prise secteur utilisée. Ne jamais modifier la fiche, de quelque façon que ce soit. Ne jamais utiliser d'adaptateurs de fiche avec des outils mis à la terre.** Les fiches et prises non modifiées réduisent le risque de choc électrique.
- **Éviter tout contact du corps avec des surfaces mises à la terre, telles que tuyaux, radiateurs, cuisinières et réfrigérateurs.** Le risque de choc électrique est accru lorsque le corps est mis à la terre.
- **Ne pas exposer les outils électriques à l'eau ou l'humidité.** La pénétration d'eau dans ces outils accroît le risque de choc électrique.
- **Ne pas maltraiter le cordon d'alimentation. Ne jamais utiliser le cordon d'alimentation pour transporter l'outil et ne jamais débrancher ce dernier en tirant sur le cordon. Garder le cordon à l'écart de la chaleur, de l'huile, des objets tranchants et des pièces en mouvement.** Un cordon endommagé ou emmêlé accroît le risque de choc électrique.
- **Pour les travaux à l'extérieur, utiliser un cordon spécialement conçu à cet effet.** Utiliser un cordon conçu pour l'usage extérieur pour réduire les risques de choc électrique.

SÉCURITÉ PERSONNELLE

- **Rester attentif, prêter attention au travail et faire preuve de bon sens lors de l'utilisation de tout outil électrique. Ne pas utiliser cet outil en état de fatigue ou sous l'influence de l'alcool, de drogues ou de médicaments.** Un moment d'inattention pendant l'utilisation d'un outil électrique peut entraîner des blessures graves.
- **Utiliser l'équipement de sécurité. Toujours porter une protection oculaire.** L'équipement de sécurité, tel qu'un masque filtrant, des chaussures de sécurité, un casque

ou une protection auditive, utilisé dans des conditions appropriées réduira le risque de blessures.

- **Éviter les démarrages accidentels. S'assurer que le commutateur est en position d'arrêt avant de brancher l'outil.** Porter un outil avec le doigt sur son commutateur ou brancher un outil dont le commutateur est en position de marche peut causer un accident.
- **Retirer les clés de réglage avant de mettre l'outil en marche.** Une clé laissée sur une pièce rotative de l'outil peut causer des blessures.
- **Ne pas travailler hors de portée. Toujours se tenir bien campé et en équilibre.** Ceci permettra de mieux contrôler l'outil en cas de situation imprévue.
- **Porter une tenue appropriée. Ne porter ni vêtements amples, ni bijoux. Garder les cheveux, les vêtements et les gants à l'écart des pièces en mouvement.** Les vêtements amples, bijoux et cheveux longs peuvent se prendre dans les pièces en mouvement.
- **Si les outils sont équipés de dispositifs de dépoussiérage, s'assurer qu'ils sont connectés et correctement utilisés.** L'usage de ces dispositifs peut réduire les dangers présentés par la poussière.
- **Ne porter ni vêtements amples, ni bijoux. Attacher ou couvrir les cheveux longs.** Les vêtements amples, bijoux et cheveux longs peuvent se prendre dans les ouïes d'aération.
- **Ne pas utiliser l'outil sur une échelle ou un support instable.** Une bonne tenue et un bon équilibre permettent de mieux contrôler l'outil en cas de situation imprévue.

UTILISATION ET ENTRETIEN DES OUTILS MOTORISÉS

- **Ne pas forcer l'outil. Utiliser l'outil approprié pour le travail.** Un outil approprié exécutera le travail mieux et de façon moins dangereuse s'il est utilisé dans les limites prévues.
- **Ne pas utiliser l'outil si le commutateur ne permet pas de le mettre en marche ou de l'arrêter.** Tout outil qui ne peut pas être contrôlé par son commutateur est dangereux et doit être réparé.
- **Débrancher l'outil et/ou retirer le bloc de batteries avant d'effectuer des réglages, de changer d'accessoire ou de remiser l'outil.** Ces mesures de sécurité préventives réduisent les risques de démarrage accidentel de l'outil.
- **Ranger les outils motorisés hors de la portée des enfants et ne laisser personne n'étant pas familiarisé avec l'outil ou ces instructions utiliser l'outil.** Dans les mains de personnes n'ayant pas reçu des instructions adéquates, les outils sont dangereux.
- **Entretien des outils motorisés. Vérifier qu'aucune pièce mobile n'est mal alignée ou bloquée, qu'aucune pièce n'est brisée et s'assurer qu'aucun autre problème risque d'affecter le bon fonctionnement de l'outil. En cas de dommages faire réparer l'outil avant de l'utiliser de nouveau.** Beaucoup d'accidents sont causés par des outils mal entretenus.
- **Garder les outils bien affûtés et propres.** Des outils correctement entretenus et dont les tranchants sont bien affûtés risquent moins de se bloquer et sont plus faciles à contrôler.

RÈGLES DE SÉCURITÉ GÉNÉRALES

- Utiliser l'outil, les accessoires et embouts, etc., conformément à ces instructions pour les applications pour lesquelles ils sont conçus, en tenant compte des conditions et du type de travail à exécuter. L'usage d'un outil motorisé pour des applications pour lesquelles il n'est pas conçu peut être dangereux.

DÉPANNAGE

- Les réparations doivent être confiées à un technicien qualifié, utilisant exclusivement des pièces identiques à celles d'origine. Ceci assurera le maintien de la sécurité de l'outil.

RÈGLES DE SÉCURITÉ PARTICULIÈRES

- Lorsque l'outil est utilisé pour un travail risquant de le mettre en contact avec des fils électriques cachés ou son propre cordon d'alimentation, le tenir par les surfaces de prise isolées. En cas de contact avec un fil sous tension, les parties métalliques exposées de l'outil seraient électrisées, exposant l'opérateur à un risque de choc électrique.
- Utiliser des serre-joint ou un autre système approprié pour maintenir fermement la pièce sur une surface stable. Une pièce tenue à la main ou contre son corps est instable et peut causer une perte de contrôle.
- Apprendre à connaître l'outil. Lire attentivement le manuel d'utilisation. Apprendre les applications et les limites de l'outil, ainsi que les risques spécifiques relatifs à son utilisation. Le respect de cette consigne réduira les risques d'incendie, de choc électrique et de blessures graves.
- Toujours porter une protection oculaire avec écrans latéraux certifiée conforme à la norme ANSI Z87.1. Si cette précaution n'est pas prise, des objets peuvent être projetés dans les yeux et causer des lésions graves.
- Protection respiratoire. Porter un masque facial ou filtrant si le travail produit de la poussière. Le respect de cette consigne réduira les risques de blessures graves.
- Protection auditive. Porter une protection auditive durant les périodes d'utilisation prolongée. Le respect de cette consigne réduira les risques de blessures graves.
- Inspecter régulièrement les cordons d'alimentation des outils et s'ils sont endommagés, les confier au centre de réparations agréé le plus proche. Toujours être conscient de l'emplacement du cordon. Le respect de cette consigne réduira les risques de choc électrique et d'incendie.



AVERTISSEMENT !

Pour réduire les risques de blessures, l'utilisateur doit lire et veiller à bien comprendre le manuel d'utilisation.

- Utiliser exclusivement des pièces identiques à celles d'origine pour les réparations. Se conformer aux instructions de la section Entretien de ce manuel. L'usage de pièces non autorisées ou le non-respect des instructions peut présenter des risques de choc électrique ou de blessures.
- Vérifier l'état des pièces. Avant d'utiliser l'outil de nouveau examiner soigneusement les pièces et dispositifs de protection qui semblent endommagés afin de déterminer s'ils fonctionnent correctement et s'ils remplissent les fonctions prévues. Vérifier l'alignement des pièces mobiles, s'assurer qu'aucune pièce n'est bloquée ou cassée, vérifier la fixation de chaque pièce et s'assurer qu'aucun autre problème ne risque d'affecter le bon fonctionnement de l'outil. Toute protection ou pièce endommagée doit être correctement réparée ou remplacée dans un centre de réparations agréé. Le respect de cette consigne réduira les risques de choc électrique, d'incendie et de blessures graves.
- S'assurer que le cordon prolongateur est en bon état. Si un cordon prolongateur est utilisé, s'assurer que sa capacité est suffisante pour supporter le courant de fonctionnement de l'outil. Un calibre de fil (A.W.G) d'au minimum 14 est recommandé pour un cordon prolongateur de 15 mètres (50 pi) maximum. L'usage d'un cordon de plus de 15 mètres (50 pi) est déconseillé. En cas de doute, utiliser un cordon du calibre immédiatement supérieur. Moins le numéro de calibre est élevé, plus la capacité du fil est grande. Un cordon de capacité insuffisante causerait une baisse de la tension de ligne, entraînant une perte de puissance et une surchauffe.
- Inspecter la pièce et retirer les clous éventuels avant d'utiliser cet outil. Le respect de cette consigne réduira les risques de blessures graves.
- Le fer continue de tourner en roue libre une fois que la toupie est éteinte.
- Conserver ces instructions. Les consulter fréquemment et les utiliser pour instruire les autres utilisateurs éventuels. Si ce produit est prêté, il doit être accompagné de ces instructions.



AVERTISSEMENT :




Ce produit et la poussière dégagée lors du ponçage, sciage, meulage, perçage de certains matériaux et lors d'autres opérations de construction contient des produits chimiques reconnus causer le cancer, des malformations congénitales ou des lésions de l'appareil reproducteur. **Bien se laver les mains après toute manipulation.** Voici certains exemples de ces produits chimiques :

- le plomb contenu dans la peinture au plomb,
- la silice cristalline contenue dans les briques, le béton et d'autres produits de maçonnerie, ainsi que
- l'arsenic et le chrome contenus dans le bois de construction traité par produits chimiques.





Le risque présenté par l'exposition à ces produits varie en fonction de la fréquence de ce type de travail. Pour réduire l'exposition à ces produits chimiques : travailler dans un endroit bien aéré et utiliser des équipements de sécurité approuvés tels que masques antipoussière spécialement conçus pour filtrer les particules microscopiques.

SYMBOLES

Les termes de mise en garde suivants et leur signification ont pour but d'expliquer le degré de risques associé à l'utilisation de ce produit.

SYMBOLE	SIGNAL	SIGNIFICATION
	DANGER :	Indique une situation extrêmement dangereuse qui, si elle n'est pas évitée, aura pour conséquences des blessures graves ou mortelles.
	AVERTISSEMENT :	Indique une situation potentiellement dangereuse qui, si elle n'est pas évitée, pourrait entraîner des blessures graves ou mortelles.
	ATTENTION :	Indique une situation potentiellement dangereuse qui, si elle n'est pas évitée, pourrait entraîner des blessures légères ou de gravité modérée.
	ATTENTION :	(Sans symbole d'alerte de sécurité) Indique une situation pouvant entraîner des dommages matériels.

Certains des symboles ci-dessous peuvent être utilisés sur produit. Veiller à les étudier et à apprendre leur signification. Une interprétation correcte de ces symboles permettra d'utiliser produit plus efficacement et de réduire les risques.

SYMBOLE	NOM	DÉSIGNATION / EXPLICATION
	Symbole d'alerte de sécurité	Indique un risque de blessure potentiel.
	Lire le manuel d'utilisation	Pour réduire les risques de blessures, l'utilisateur doit lire et veiller à bien comprendre le manuel d'utilisation avant d'utiliser ce produit.
	Protection oculaire	Toujours porter une protection oculaire avec écrans latéraux certifiée conforme à la norme ANSI Z87.1.
V	Volts	Tension
A	Ampères	Intensité
Hz	Hertz	Fréquence (cycles par seconde)
min	Minutes	Temps
~	Courant alternatif	Type de courant
n_0	Vitesse à vide	Vitesse de rotation à vide
	Construction de classe II	Construction à double isolation
.../min	Par minute	Tours, coups, vitesse périphérique, orbites, etc., par minute

CARACTÉRISTIQUES ÉLECTRIQUES

DOUBLE ISOLATION

La double isolation est un dispositif de sécurité utilisé sur les outils à moteur électriques, éliminant le besoin de cordon d'alimentation habituel à trois fils avec terre. Toutes les pièces métalliques exposées sont isolées des composants internes du moteur par l'isolation protectrice. Les outils à double isolation ne nécessitent pas de mise à la terre.

AVERTISSEMENT :

Le système à double isolation est conçu pour protéger l'utilisateur contre les chocs électriques causés par une rupture du câblage interne de l'outil. Prendre toutes les précautions de sécurité normales pour éviter les chocs électriques.

NOTE : La réparation d'un outil à double isolation exige des précautions extrêmes ainsi que la connaissance du système, elle ne doit être confiée qu'à un réparateur qualifié. En ce qui concerne les réparations, nous recommandons de confier l'outil au centre de réparations le plus proche. Utiliser exclusivement des pièces d'origine pour les réparations.

CONNEXIONS ÉLECTRIQUES

Cet outil est équipé d'un moteur électrique de précision. Il doit être branché uniquement sur **une alimentation 120 V, c.a. (courant résidentiel standard), 60 Hz**. Ne pas utiliser cet outil sur une source de courant continu (c.c.). Une chute de tension importante causerait une perte de puissance et une surchauffe du moteur. Si l'outil ne fonctionne pas une fois branché, vérifier l'alimentation électrique.

CORDONS PROLONGATEURS

Lors de l'utilisation d'un outil électrique à grande distance d'une prise secteur, veiller à utiliser un cordon prolongateur d'une capacité suffisante pour supporter l'appel de courant de l'outil. Un cordon de capacité insuffisante causerait une baisse de la tension de ligne, entraînant une perte de puissance et une surchauffe. Se reporter au tableau

ci-dessous pour déterminer le calibre minimum de fil requis pour un cordon donné. Utiliser exclusivement des cordons à gaine cylindrique homologués par Underwriter's Laboratories (UL).

Pour le travail à l'extérieur, utiliser un cordon prolongateur spécialement conçu à cet effet. Ce type de cordon porte l'inscription « WA » ou « W » sur sa gaine.

Avant d'utiliser un cordon prolongateur, vérifier que ses fils ne sont ni détachés ni exposés et que son isolation n'est ni coupée, ni usée.

**Intensité nominale (sur la plaquette signalétique de l'outil)

0-2,0 2,1-3,4 3,5-5,0 5,1-7,0 7,1-12,0 12,1-16,0

Longueur du cordon	Calibre de fil (A.W.G.)					
	16	16	16	16	14	14
25'	16	16	16	14	14	12
50'	16	16	14	12	10	—
100'	16	16	14	12	10	—

**Utilisé sur circuit de calibre 12 – 20 A

NOTE : AWG = American Wire Gauge

AVERTISSEMENT :

Maintenir le cordon prolongateur à l'écart de la zone de travail. Lors du travail avec un cordon électrique, placer le cordon de manière à ce qu'il ne risque pas de se prendre dans les pièces de bois, outils et autres obstacles. Ne pas prendre cette précaution peut entraîner des blessures graves.

AVERTISSEMENT :

Vérifier l'état des cordons prolongateurs avant chaque utilisation. Remplacer immédiatement tout cordon endommagé. Ne jamais utiliser un outil dont le cordon d'alimentation est endommagé, car tout contact avec la partie endommagée pourrait causer un choc électrique et des blessures graves.

CARACTÉRISTIQUES

FICHE TECHNIQUE

Profondeur de coupe 51 mm (2 po)
Collet 13 mm (1/2 po)
[avec adaptateur de 6 mm (1/4 po)]

Puissance de pointe..... 2 HP
Vitesse à vide 10 000 à 23 000 r/min (RPM)
Alimentation..... 120 V, c.a. seulement, 60 Hz, 11 A

CARACTÉRISTIQUES

APPRENDRE À CONNAÎTRE LA TOUPIE

Voir la figure 1, page 16.

L'utilisation sûre de ce produit exige une compréhension des renseignements figurant sur l'outil et contenus dans le manuel d'utilisation, ainsi qu'une bonne connaissance du projet entrepris. Avant d'utiliser ce produit, se familiariser avec toutes ses caractéristiques et règles de sécurité.

OUTIL DE CENTRAGE

L'outil de centrage aligne la semelle sur le centre du collet lors du remontage de la semelle sur la toupie.

PARE-COPEAUX

Un pare-copeaux en plastique transparent est installé à l'avant de la base de la toupie afin de protéger l'opérateur contre les projections de sciure et de copeaux. Il est conçu pour s'adapter dans l'ouverture de la base de la toupie.

LAMPES À DEL

Les lampes à DEL situées à l'avant de l'outil, s'allument lorsque la gâchette est enfoncée. Cela procure davantage de lumière pour une meilleure visibilité.

ASSEMBLAGE

DÉBALLAGE

Ce produit a été expédié complètement assemblé.

- Avec précaution, sortir le produit et les accessoires de la boîte. S'assurer que toutes les pièces figurant sur la liste de contrôle sont incluses.

AVERTISSEMENT :

Ne pas utiliser le produit s'il n'est pas complètement assemblé ou si des pièces semblent manquantes ou endommagées. Le fait d'utiliser un produit assemblé de façon inadéquate ou incomplète peut entraîner des blessures graves.

- Examiner soigneusement le produit pour s'assurer que rien n'a été brisé ou endommagé en cours de transport.
- Ne pas jeter les matériaux d'emballage avant d'avoir soigneusement examiné le produit et avoir vérifié qu'il fonctionne correctement.
- Si des pièces sont manquantes ou endommagées, appeler le 1-866-539-1710.

COMMUTATEUR À GLISSIÈRE

Le commutateur à glissière se trouve sur le dessus du boîtier moteur. Il est doté d'un système de démarrage progressif, qui prolonge la vie du moteur et procure à l'opérateur davantage de contrôle lors du démarrage de la toupie.

VERROUILLAGE DE BROCHE

Le verrouillage de broche empêche le collet de tourner lors de l'installation et du retrait des fers.

ADAPTATEUR D'ASPIRATION

Les adaptateurs d'aspiration se montent sur la base de la toupie pour éliminer les débris lorsqu'ils sont utilisés en conjonction avec un aspirateur.

COMMANDE DE VITESSE VARIABLE

Cette commande permet de régler la vitesse de rotation du fer entre 10 000 et 23 000 r/min.

LISTE DE CONTRÔLE

Moteur de toupie
Base fixe
Vis de fixation de table à toupie (3)
Adaptateur de collet de 6 mm (1/4 po)
Adaptateur de sac de 1-1/4 po (32 mm)
Vis d'adaptateur d'aspiration (2)
Outil de centrage (comprend un cône et une goupille)
Clé à collet
Clé en T
Sacoche
Manuel d'utilisation

AVERTISSEMENT :

Si des pièces manquent ou sont endommagées, ne pas utiliser ce produit avant qu'elles aient été remplacées. Le fait d'utiliser ce produit même s'il contient des pièces endommagées ou s'il lui manque des pièces peut entraîner des blessures graves.

ASSEMBLAGE

AVERTISSEMENT :

Ne pas essayer de modifier cet outil ou de créer des accessoires non recommandés pour cet outil. De telles altérations ou modifications sont considérées comme un usage abusif et peuvent créer des conditions dangereuses, risquant d'entraîner des blessures graves.

AVERTISSEMENT :

Ne pas brancher sur le secteur avant d'avoir terminé l'assemblage. Le non-respect de cet avertissement peut causer un démarrage accidentel, entraînant des blessures graves.

UTILISATION

AVERTISSEMENT :

Ne pas laisser la familiarité avec l'outil faire oublier la prudence. Ne pas oublier qu'une fraction de seconde d'inattention peut entraîner des blessures graves.

AVERTISSEMENT :

Toujours porter une protection oculaire avec écrans latéraux certifiée conforme à la norme ANSI Z87.1. Si cette précaution n'est pas prise, des objets peuvent être projetés dans les yeux et causer des lésions graves.

ATTENTION :

Ne pas serrer le levier de verrouillage sans avoir installé le moteur sur la base. Le non-respect de cette mise en garde pourrait entraîner des dommages au mécanisme.

APPLICATIONS

Ce produit peut être utilisé pour les applications ci-dessous :

- Rainures, sculptures, mortaises de montants de porte et jointures dans le bois et les produits dérivés du bois
- Ébénisterie, rognage des dessus de comptoir et travaux de finition dans le bois et les produits dérivés du bois.

RETRAIT/INSTALLATION DE LA BASE DE LA TOUPIE

Voir les figures 2 et 3, page 16.

Retrait de la base :

- Débrancher la toupie.
- Tenir fermement la toupie en dirigeant le logo à l'écart de soi.
- Déverrouiller le levier de verrouillage de la base.

NOTE : Il ne doit pas être possible de déplacer le moteur de la toupie lorsque le levier de blocage est verrouillé. S'il est possible de le déplacer alors que le levier de verrouil-

lage est verrouillé, il est nécessaire d'ajuster le levier de verrouillage. Voir *Réglages*.

- Tenir les poignées et tirer sur le levier de verrouillage de la profondeur à partir de la fente du moteur.
- Soulever le moteur tout en tirant sur le levier de verrouillage de la profondeur jusqu'à ce que son ergot soit à l'écart de la zone de la fente.
- Une fois que l'ergot a dégagé la fente, relâcher le levier de verrouillage de la profondeur.
- Hisser le moteur vers le haut jusqu'à ce qu'il se sépare de la base. Agir avec précaution, étant donné que l'usage d'une force excessive peut causer des dommages permanents au mécanisme de verrouillage.

Installation de la base :

- Débrancher la toupie.
- En plaçant la base à l'endroit, déverrouiller le levier de verrouillage.
NOTE : NE PAS laisser le levier de verrouillage à la position verrouillée.
- Aligner la fente de la base avec la goupille du moteur et glisser le moteur dans la base jusqu'à ce qu'il se bloque.
- Tirer sur le levier de verrouillage de la profondeur.
- Placer l'ergot du levier de verrouillage de la profondeur dans la fente du moteur.
- Verrouiller le levier de verrouillage.

AVERTISSEMENT :

Si l'écrou du collet n'est pas fermement serré, le fer risque de se détacher en cours d'utilisation et de causer des blessures graves.

AVERTISSEMENT :

Ne jamais utiliser de fers de diamètre de plus de 57 mm (2 1/4 po) supérieur à celui de l'ouverture de la semelle de la toupie. Cela pourrait aussi causer la perte de contrôle de l'outil ou créer d'autres situations dangereuses risquant d'entraîner des blessures graves.

UTILISATION

ATTENTION :

Pour éviter des dommages à la broche et à son verrouillage, toujours laisser le moteur s'arrêter complètement avant d'engager le verrouillage de broche.

AVERTISSEMENT :

Si le fer est changé immédiatement après avoir été utilisé, veiller à ne toucher ni le fer, ni le collet, ni son écrou avec les doigts ou la main. Ces pièces, chauffées par la friction, causeraient des brûlures. Toujours utiliser la clé fournie.

INSTALLATION/RETRAIT DES MANDRIN ET DES FER/EMBOUS

Voir les figures 4 et 5, page 16.

- Débrancher la toupie.
- Enfoncer et tenir le bouton de verrouillage de la broche.
NOTE : Si l'utilisateur appuie sur le bouton et que celui-ci ne s'enfonce pas complètement, tourner le mandrin tout en continuant de pousser le dispositif de verrouillage de la broche jusqu'à ce qu'il se bloque en place.
- Utiliser la clé à mandrin fournie, desserrer l'écrou du collet.
NOTE : Pour changer de couteau : le couteau glissera facilement hors du mandrin une fois celui-ci desserré.
- Installer l'adaptateur de mandrin, si désiré.

Pour procéder à son installation :

- Insérer l'adaptateur de mandrin de 6,35 mm (1/4 po) dans le mandrin jusqu'à ce qu'il arrive au fond.
NOTE : Le mandrin est conçu pour retenir des couteaux dont les tiges ont 12,7 mm (1/2 po) de diamètre. Pour utiliser des couteaux dont les tiges ont 6,35 mm (1/4 po) de diamètre, il est nécessaire d'installer l'adaptateur de couteau de 6,35 mm (1/4 po) au préalable.
- Insérer l'embout désiré jusqu'à ce que l'écart entre la zone de coupe de l'embout et la face de l'écrou de mandrin mesure environ 3,18 mm (1/8 po) à 6,35 mm (1/4 po).
NOTE : Toujours s'assurer que le collet serre la tige (partie non coupante) du fer.
- Serrer fermement l'écrou du collet en le tournant vers la droite à l'aide des clés fournies.
NOTE : Toujours s'assurer qu'un embout est installé avant de tenter de serrer le mandrin à l'aide de la clé. Le fait d'utiliser la clé pour serrer le mandrin sans qu'un embout ait été installé fera en sorte d'endommager le mandrin.
- Désengager le verrouillage de broche.

Retrait d'un fer :

- Maintenir le collet à l'aide de la clé fournie, et appuyer sur le bouton de verrouillage de broche jusqu'à ce qu'il s'enfonce complètement.

NOTE : S'il est impossible d'effectuer cette opération, tourner la bague jusqu'à ce que le bouton se bloque en place.

- Desserrer l'écrou du collet et le retirer.
 - Désengager le verrouillage de broche.
-

AVERTISSEMENT :

Le fer continue de tourner une fois que la toupie est arrêtée. Pour éviter des blessures, attendre qu'il s'arrête complètement avant de le retirer de la pièce.

RÉGLAGE DE LA PROFONDEUR DE COUPE

La profondeur de coupe correcte dépend de plusieurs facteurs : la puissance du moteur de la toupie, le type de fer et le type de bois. Les toupies légères de faible puissance sont conçues pour réaliser des coupes peu profondes, les toupies plus puissantes permettent d'effectuer des coupes plus profondes. Les fers de petite taille, tels que les fers à nervurer de 1/16 po (1,6 mm) de diamètre de coupe, sont conçus pour ne retirer que de petites quantités de bois. Les fers de grande taille, tels que ceux à cannelures droites, éliminent de plus grandes quantités de matériau et permettent d'effectuer des coupes plus profondes dans les bois tendres, tels que le pin blanc.

Choisir une profondeur de coupe qui ne soumettra pas le moteur de la toupie à une contrainte excessive. Si un effort important est nécessaire ou si la vitesse du moteur ralentit considérablement, arrêter la toupie et réduire la profondeur de coupe. Puis effectuer la coupe en plusieurs passes.

Pour réaliser une rainure trop profonde pour pouvoir être réalisée sans danger en une passe, il est préférable d'effectuer plusieurs passes. Il est conseillé de ne pas dépasser une profondeur de coupe de 3,2 mm (1/8 po) et d'effectuer plusieurs passes pour les coupes plus profondes.

RÉGLAGE DE LA PROFONDEUR DE COUPE

Voir les figures 6 et 7, page 17.

La profondeur de coupe se règle en tournant le bouton de profondeur vers la gauche ou la droite. Il est possible de visualiser la profondeur sur le bouton de réglage de la profondeur. Chaque graduation de l'échelle représente 0,4 mm (1/64 po).

- Débrancher la toupie.
- Déverrouiller le levier de verrouillage.

UTILISATION

- Tourner le bouton de réglage de la profondeur dans le sens antihoraire pour augmenter la profondeur de coupe ou dans le sens horaire pour réduire la profondeur de coupe.

NOTE : Il ne doit pas être possible d'ajuster la profondeur lorsque le levier de verrouillage est verrouillé. S'il est possible d'ajuster la profondeur, il est nécessaire d'ajuster le levier de verrouillage. Voir *Réglages*.

- Une fois la profondeur de coupe voulue obtenue, verrouiller le levier de verrouillage.

NOTE : Pour régler la profondeur de coupe lorsque la toupie est montée sur une table, déverrouiller le levier de verrouillage, tourner le bouton de réglage de profondeur jusqu'à ce que le fer atteigne la profondeur de coupe voulue et déverrouiller le levier de verrouillage.

Lorsque la toupie est montée sur une table, les réglages de profondeur s'effectuent facilement au moyen de la clé en T fournie.

Pour effectuer les réglages au travers de la table :

- Débrancher la toupie.
- Desserrer le levier de verrouillage.
- Insérer la clé en T dans le trou de la table de toupie et dans la fente de la semelle de la toupie et engager la douille de la clé sur l'écrou de réglage.
- Tourner la clé dans le sens antihoraire pour réduire la profondeur de coupe ou dans le sens horaire pour augmenter la profondeur de coupe.

NOTE : Il ne doit pas être possible d'ajuster la profondeur lorsque le levier de verrouillage est verrouillé. S'il est possible d'ajuster la profondeur, il est nécessaire d'ajuster le levier de verrouillage. Voir *Réglages*.

- Une fois la profondeur de coupe voulue obtenue, verrouiller le levier de verrouillage.

AVERTISSEMENT :

Ne pas utiliser avec des tables à toupie non conformes à la sécurité des travaux de menuiserie et utiliser une protection du fer appropriée. Utiliser des plates-formes de routeur classées UL et identifiées comme étant adaptées à une utilisation avec le modèle particulier de routeur. Le non-respect de cette précaution peut entraîner un accident et des blessures.

AVERTISSEMENT :

N'utiliser que des tables équipées d'une protection de fer appropriée et dotées de prises de commutateurs intégrés. L'usage de tables n'étant pas équipées de dispositifs de sécurité appropriés peut entraîner des blessures graves.

MISE EN MARCHÉ ET ARRÊT DE LA TOUPIE

Voir la figure 8, page 17.

La toupie est équipée d'un commutateur de démarrage en douceur qui permet une augmentation progressive de 0 tr/min à la vitesse de rotation sélectionnée. Par exemple, si la toupie est réglée à 16 000 tr/min au moment où elle est arrêtée puis remise en marche, le moteur est conçu pour accélérer progressivement jusqu'à cette vitesse au lieu de démarrer immédiatement à 16 000 tr/min.

Pour mettre la toupie en marche, mettre le commutateur en position (**I**), c'est-à-dire en position de **MARCHE**. Une fois le travail terminé, remettre le commutateur en position (**O**), c'est-à-dire **EN POSITION** d'arrêt.

COMMANDE DE VITESSE VARIABLE

Voir la figure 9, page 17.

Cette toupie est équipée d'un sélecteur de vitesse variable permettant à l'opérateur d'ajuster la vitesse et le couple. La vitesse et le couple peuvent être augmentés ou réduits en tournant le sélecteur dans le sens des flèches.

NOTE : Tenir la scie en position normale et tourner le sélecteur de vitesse sur une valeur plus élevée pour augmenter la vitesse et le couple. Pour réduire la vitesse et le couple, tourner le sélecteur sur une valeur plus basse.

Éviter d'utiliser la toupie à basse vitesse pendant des périodes prolongées. Ceci pourrait causer une surchauffe de la toupie. Si la toupie surchauffe, la refroidir en la laissant tourner à vide à la vitesse maximum.

Pour ajuster la vitesse, tourner le sélecteur sur le réglage désiré.

UTILISATION DE LA TOUPIE

Voir les figures 10 et 11, page 17.

Pour le toupillage transversal, assujettir une règle sur la planche, afin de l'utiliser comme guide.

NOTE : Des guides de chant pour la toupie sont également disponibles. Voir *Accessoires*.

Positionner la règle parallèlement à la ligne de coupe et reporter la distance du bord du fer au bord de la base. Maintenir la base de la toupie contre la règle et pratiquer la rainure.

Pour le toupillage d'une rainure plus large que le diamètre du fer, placer une règle de chaque côté des lignes de coupe. Placer les deux règles parallèlement à la ligne de coupe désirée et à égale distance des bords de la rainure. Toupiller en se guidant sur l'une des règles dans un sens, puis revenir en sens inverse en appuyant la toupie sur l'autre. Éliminer les déchets du centre de la rainure.

Lors du toupillage d'une rainure, la toupie doit être poussée de manière à ce que le guide utilisé se trouve du côté droit. Lorsque le guide est positionné « à l'intérieur » (figure 14), la toupie doit être déplacée de gauche à droite et suivre les courbes vers la gauche. Lorsque le guide est positionné « à l'extérieur » (figure 14), la toupie doit être déplacée de droite à gauche et suivre les courbes vers la droite. Si le choix est possible, la première configuration est probablement la plus facile à utiliser. Dans un cas comme dans l'autre la poussée doit se faire contre le guide.

UTILISATION

TOUPILLAGE INTERNE

- Incliner la toupie et la placer sur la pièce sans que le fer touche la pièce.
- Mettre la toupie en marche et laisser le moteur parvenir à pleine vitesse.
- Engager le fer dans le matériau progressivement, jusqu'à ce que la semelle repose à plat sur la pièce.
- Une fois la coupe terminée, arrêter la toupie et attendre l'arrêt complet du fer avant de la retirer de la pièce.

GUIDE DE CHANT

- Assujettir une règle sur la pièce à couper pour servir de guide.
- Placer la toupie sur le chant de la pièce sans que le fer touche la pièce.
- Mettre la toupie en marche et laisser le moteur parvenir à pleine vitesse.
- Engager le fer dans le matériau progressivement en utilisant la règle comme guide.
- Une fois la coupe terminée, arrêter la toupie et attendre l'arrêt complet du fer avant de la retirer de la pièce.

AVERTISSEMENT :

Ne pas utiliser de fers de grande taille pour le toupillage à main levée. L'utilisation de fers de grande taille pour le toupillage à main levée peut causer la perte de contrôle de l'outil ou présenter d'autres situations dangereuses susceptibles d'entraîner des blessures graves. Lorsqu'une table à toupie est utilisée, les fers de grande taille ne doivent être employés que pour le profilage des bords.

TOUPILLAGE À MAIN LEVÉE

Voir la figure 12, page 17.

Utilisée à main levée, la toupie devient un outil flexible et polyvalent. Cette flexibilité permet de réaliser facilement des panneaux, des sculptures en relief, etc. Lors du toupillage à main levée :

- Tracer le motif ou placer un gabarit sur la pièce.
- Choisir le fer approprié.

NOTE : Un fer à carotte ou à rainure en V est souvent utilisé pour le toupillage de lettres et la gravure d'objets. Des fers droits et à boule sont souvent utilisés pour les sculptures en relief. Des fers à nervurer sont utilisés pour la sculpture de petits détails complexes.

- Toupiller le motif en deux passes ou plus. Effectuer la première passe à 25 % de la profondeur de coupe désirée. Ceci permet de mieux contrôler la toupie et de former un guide pour la passe suivante.

NOTE : Ne pas toupiller plus de 3 mm (1/18 po) par passe.

PROFILAGE AVEC FERS PILOTES

Voir la figure 13, page 17.

Les fers droits dotés de pilote sont excellents pour profiler facilement et rapidement les chants de toute pièce droite ou présentant des rayons de courbure égaux ou supérieurs à celui du fer utilisé. Le pilote empêche le fer de tailler trop profond. En outre, lorsque le pilote est maintenu fermement et continuellement en contact avec le bord de la pièce il empêche que la coupe soit trop peu profonde.

Lorsque la profondeur de coupe (ajustée au moyen du réglage de profondeur de coupe) est telle que seule la partie supérieure de bord est profilée (c'est-à-dire qu'au moins 1,5 mm (1/16 po) de bois reste intact au bas de la pièce), le pilote peut s'appuyer contre cette portion servant de guide au fer. Toutefois, si la pièce est trop mince ou le fer réglé trop bas pour laisser une partie intact pour l'appui du guide, une planche doit être placée au-dessous de la pièces, pour servir de guide. La planche « guide » doit épouser exactement la pièce à toupiller, qu'elle soit droite ou curviligne. Si cette planche guide est positionnée de manière à ce que son bord coïncide avec celui de la pièces, le fer exécute une coupe intégrale (égale au diamètre du fer). Par contre, si le guide est positionné comme illustré au bas de la figure 12 (éloigné du bord de la pièce), le fer exécutera une coupe incomplète, ce qui changera le profil final de la pièce.

NOTE : Les guides pilotés peuvent tous être utilisés sans leur pilote, pour le profilage de chant avec bague guide décrit plus haut. La taille (diamètre) du pilote utilisé détermine la largeur de coupe maximum pouvant être obtenue avec le pilote appuyé contre le bord de la pièce à toupiller (le petit pilote expose la totalité du fer, alors que le diamètre de ce dernier est réduit de 3 mm (1/16 po) lorsque le grand pilote est utilisé).

DIRECTION D'ENGAGEMENT

Voir les figures 14 et 15, pages 17 et 18.

Le moteur de la toupie et la fraise tournent en sens horaire. Cela donne à l'outil une légère tendance à tourner en sens anti-horaire, en particulier pendant l'accélération du moteur.

La toupie doit être engagée sur la pièce de gauche à droite. Lorsque l'outil est engagé de gauche à droite, la rotation du fer tire l'outil contre la pièce. Si la toupie est engagée dans le sens contraire, la force de rotation du fer a tendance à projeter l'outil à l'écart de la pièce, causant un rebond. Ceci peut causer la perte de contrôle de la toupie.

Étant donné la vitesse de rotation extrêmement élevée, il y a très peu de rebond lorsque la vitesse d'avance est correcte. Toutefois, si la fraise heurte un nœud, un grain dur ou un objet étranger gênant la progression normale de la coupe, un léger rebond se produit. Le rebond se produit toujours dans le sens inverse du sens de rotation du fer. Ceci affecte la qualité du toupillage.

Pour éviter le rebond, planifier la configuration et le sens de l'avance, de manière à toujours pousser l'outil, afin de le maintenir dans le sens de rotation du bord d'attaque du fer. L'outil doit être poussé de façon que les tranchants du fer mordent continuellement dans du bois neuf (non coupé).

NOTE : Pour obtenir un résultat optimal, prendre le temps d'effectuer les réglages correctement. Pendant la coupe, veiller à maintenir la vitesse d'avance appropriée.

UTILISATION

VITESSE D'ENGAGEMENT CORRECTE

Un résultat professionnel est obtenu avec la vitesse d'avance correcte, qui s'acquiert avec l'usage et l'expérience. La vitesse d'engagement à utiliser dépend de plusieurs facteurs :

- La dureté et la teneur en humidité de la pièce
- Profondeur de coupe
- Diamètre du fer

Pour la coupe de rainures peu profondes dans les bois tendres, tels que le pin, une vitesse élevée peut être utilisée. Pour les coupes profondes dans les bois durs, tels que le chêne, utiliser une vitesse d'avance plus basse.

Plusieurs facteurs contribuent au choix de la vitesse d'avance.

- La vitesse utilisée ne doit pas causer un ralentissement du moteur.
- La vitesse utilisée doit permettre au fer d'avancer fermement et de produire un copeau spirale continu, ou s'il s'agit d'un laminé, des copeaux uniformes et un bord lisse.
- Écouter le son produit par le moteur. Un son aigu signifie que l'avance est trop lente. Un son grave et étouffé signale un forçage de l'avance.
- Observer la progression de chaque taille. Une avance trop lente peut également causer la déviation de la toupie de la ligne de coupe prévue. Une avance forcée rend l'outil plus difficile à maintenir et cause une perte de vitesse.
- Observer les copeaux produits par la coupe. Si la toupie est déplacée trop lentement, elle brûle le bois. Si la toupie est déplacée trop vite, elle taille de gros copeaux et laisse des entailles dans le bois.

Toujours effectuer un essai sur une chute de la pièce à toupiller. Toujours saisir et maintenir fermement la toupie à deux mains.

Pour la taille d'une rainure étroite et peu profonde dans un bois tendre et sec, la vitesse d'avance correcte peut être déterminée par la vitesse à laquelle la rogneuse peut être déplacée contre la ligne guide. Si le fer est de grande taille, la rainure profonde ou la pièce difficile à couper, une avance très lente peut être préférable. La taille contre le grain peut exiger une avance plus lente que la taille dans le sens du grain d'une même pièce.

AVANCE TROP RAPIDE

Voir la figure 16, page 18.

Un toupillage ou profilage propre et net ne peut être obtenu que lorsque le fer tourne à relativement haute vitesse et mord légèrement, produisant de petits copeaux, nettement taillés. Si la toupie est poussée trop vite, la vitesse de rotation du fer par rapport à la vitesse d'avance devient inférieure à la normale. De ce fait, le fer découpe de plus gros copeaux. Plus les copeaux sont gros, plus la finition est grossière. En outre, la taille de plus gros copeaux exigeant davantage de puissance, le moteur de la toupie risque d'être surchargé.

Si la vitesse d'avance est forcée à l'extrême, la vitesse de rotation du fer est réduite au point que les copeaux sont si gros qu'ils sont arrachés (au lieu d'être nettement coupés). Ceci cause l'éclatement et l'entaillage de la pièce.

La vitesse de rotation de la toupie étant extrêmement élevée, celle-ci effectuera des coupes nettes et lisses si elle tourne

librement, sans être surchargée par une avance forcée. Une avance forcée peut toujours être détectée par un changement de bruit du moteur. Le sifflement aigu devient plus grave et plus puissant à mesure que le moteur ralentit. En outre l'outil devient plus difficile à maintenir.

AVANCE TROP LENTE

Voir la figure 17, page 18.

La coupe peut également être ratée si la toupie est avancée trop lentement. Lorsque la toupie est avancée trop lentement sur la pièce, le fer n'attaque pas le bois râclé vite pour découper des copeaux, au lieu de cela, il racle de petites particules semblables à de la sciure. Le râpement produit de la chaleur, ce qui risque de vitrifier, de brûler ou d'abîmer le bois et, dans les cas extrêmes de surchauffer le fer, lui faisant perdre sa dureté.

En outre, lorsque le fer râpe au lieu de couper, la toupie est plus difficile à contrôler. Lorsque la charge exercée sur le moteur est pratiquement nulle, le fer tourne à une vitesse proche du maximum et a une tendance beaucoup plus grande que la normale à rebondir sur la pièce (en tendres si le grain du bois est prononcé, avec des portions dures et tendres). De ce fait, la coupe peut être ondulée au lieu de droite.

Une avance trop lente peut également causer la déviation de la toupie de la ligne de coupe prévue. Toujours saisir et maintenir fermement la toupie lors du travail.

Il est possible de savoir que l'avance est trop lente lorsque le moteur produit un bruit aigu d'emballement ou que le fer tremble dans la coupe.

PROFONDEUR DE COUPE

Voir les figures 18 et 19, page 18.

La profondeur de coupe est importante car elle affecte la vitesse de coupe, qui détermine la qualité du toupillage et également le risque d'endommagement du moteur de la toupie et du fer.

Plus la coupe est profonde, plus la vitesse doit être réduite. Une profondeur de coupe excessive ralentit l'avance au point que le fer râpe le bois au lieu de le couper. Une coupe trop profonde peut causer la cassure des fers de petite taille. Les fers de petite taille dont le diamètre n'est que de 1,5 mm (1/16 po) se brisent facilement lorsqu'ils sont soumis à une poussée latérale excessive. Bien qu'un fer de plus grande taille risque moins de se briser, si la coupe est trop profonde, elle risque d'être grossière et il peut s'avérer difficile de guider et contrôler l'outil. Il est recommandé de ne pas dépasser une profondeur ou une largeur de coupe de 3,18 mm (1/8 po) à chaque passage, quelle que soit la taille de l'embout, ou la dureté ou l'état de la pièce à travailler.

Lorsqu'une coupe plus profonde est nécessaire, effectuer plusieurs passes et abaisser le fer de 3 mm à chaque passe. Pour gagner du temps, effectuer toutes les coupes désirées à une même profondeur avant d'abaisser le fer pour les passes suivantes. Ceci assure l'uniformité de la profondeur lors de l'exécution de la passe finale.

NOTE : Ne pas tailler plus de 3 mm (1/8 po) x 3 mm (1/8 po) par passe. Une profondeur ou une largeur de coupe excessive peut causer une perte de contrôle et entraîner des blessures graves.

RÉGLAGES

RÉGLAGE DE LA TENSION DU LEVIER DE VERROUILLAGE DE BASE FIXES

Voir la figure 20, page 18.

Après un certain temps et avec un usage répété, le levier de blocage peut se desserrer. Dans ce cas, serrer légèrement l'écrou. L'écrou de blocage élastique doit être assez peu serré pour laisser un peu de jeu au levier lorsque celui-ci est en position ouverte.

NOTE : Ne pas trop serrer l'écrou de blocage. Le levier doit se serrer fermement pour assujettir le boîtier du moteur.

ATTENTION :

S'assurer que le boîtier du moteur est bien immobilisé lorsque le levier est en position fermée. Si le moteur n'est pas solidement assujéti à la base, les réglages seront imprécis.

AVERTISSEMENT :

Suivre les instructions appropriées fournies par le fabricant de la table à toupie au moment d'installer une toupie sur une table à toupie. L'usage de tables n'étant pas équipées de dispositifs de sécurité appropriés peut entraîner des blessures graves. Utiliser des plates-formes de routeur classées UL et identifiées comme étant adaptées à une utilisation avec le modèle particulier de routeur.

OUTIL DE CENTRAGE

Voir les figures 21 à 23, pages 18 et 19.

Un outil de centrage est fourni pour le remplacement, le retrait ou le changement de la semelle. Il est nécessaire de retirer l'adaptateur de mandrin de 6,35 mm (1/4 po) avant de pouvoir utiliser l'outil de centrage.

Pour retirer la semelle de la toupie :

- Débrancher la toupie et la poser à l'envers.
- Retirer les trois (3) vis de la semelle de la base.
- Retirer la semelle de la toupie.

Pour installer l'outil de centrage et la base :

- Débrancher la toupie et la poser à l'envers.
- Déverrouiller le levier de blocage et ajuster le bouton de réglage de la profondeur (en soulevant et en abaissant la base). Centrer le levier de verrouillage de la profondeur sur le levier de verrouillage.
- Placer le levier de blocage à la position « Verrouillé ».
- Placer la semelle sur la base et insérer les vis de la semelle.

- Serre les vis fermement, de façon à ce que la base puisse bouger librement.
- Maintenir le collet à l'aide de la clé fournie, et appuyer sur le bouton de verrouillage de broche jusqu'à ce qu'il s'enfonce complètement.
- Desserrer l'écrou de mandrin et s'assurer que l'adaptateur de 6,35 mm (1/4 po) a été retiré du mandrin de 12,7 mm (1/2 po).
- Insérer la grande extrémité de la goupille de l'outil de centrage dans le mandrin jusqu'à ce qu'elle en touche le fond. Tirer l'outil de centrage vers le haut jusqu'à ce que le côté biseauté soit à égalité avec la semelle. Serrer solidement le mandrin à l'aide de la clé fournie.
- Désengager le verrouillage de broche.
- Placer le cône de centrage sur l'outil de centrage et appuyer légèrement sur le cône jusqu'à ce qu'il se bloque, tel qu'il est illustré à la figure 20. Cette opération permettra de centrer la semelle.
- Tout en appuyant sur le cône, serrer les vis de la semelle.

Retrait de l'outil de centrage :

- Débrancher la toupie.
- Maintenir le collet à l'aide de la clé fournie, et appuyer sur le bouton de verrouillage de broche jusqu'à ce qu'il s'enfonce complètement.
- Desserrer l'écrou du collet et retirer l'outil de centrage.
- Désengager le verrouillage de broche.

MONTAGE SUR TABLE À TOUPIE

Voir les figures 23, page 19.

Pour l'installation de la toupie sur une table, retirer la sous-base et utiliser les vis de montage sur table fournies avec la toupie. Utiliser ces vis pour remplacer celles de la semelle, illustrées à la figure 20.

INSTALLATION / RETRAIT DE ACCESSOIRE D'ASPIRATION

Voir la figure 24, page 19.

- Débrancher la toupie.
- À l'aide des vis fournies, placer l'adaptateur de l'aspirateur sur la base en alignant les ouvertures de l'adaptateur de l'aspirateur avec les trous des vis situées à l'arrière de la base.
- Insérer les vis d'adaptateur fournies.
- Tourner vers la droite pour serrer.
- Pour retirer les vis, les tourner vers la gauche.

ENTRETIEN

AVERTISSEMENT :

Utiliser exclusivement des pièces RIDGID d'origine pour les réparations. L'usage de toute autre pièce pourrait créer une situation dangereuse ou endommager l'outil.

AVERTISSEMENT :

Toujours porter une protection oculaire avec écrans latéraux certifiée conforme à la norme ANSI Z87.1. Si cette précaution n'est pas prise, des objets peuvent être projetés dans les yeux et causer des lésions graves.

ENTRETIEN GÉNÉRAL

Éviter d'utiliser des solvants pour le nettoyage des pièces en plastique. La plupart des matières plastiques peuvent être endommagées par divers types de solvants du commerce. Utiliser un chiffon propre pour éliminer la saleté, la poussière, l'huile, la graisse, etc.

AVERTISSEMENT :

Ne jamais laisser de liquides tels que le fluide de freins, l'essence, les produits à base de pétrole, les huiles pénétrantes, etc., entrer en contact avec les pièces en plastique. Les produits chimiques peuvent endommager, affaiblir ou détruire le plastique, ce qui peut entraîner des blessures graves.

ACCESSOIRES

Voir la figure 25, page 19.

Pour obtenir ces accessoires, s'adresser au revendeur après duquel vous avez acheté ce produit :

- Guide de chant *.....Réf no. 300869006
- Jeu de gabarits pour charnières
- Gabarit pour queues d'aronde
- Bague guide

* Disponible exclusivement auprès du service après-vente. Pour toute commande, appeler le 1-866-539-1710.

AVERTISSEMENT :

Les outils et accessoires disponibles actuellement pour ce produit sont listés ci-dessus. Ne pas utiliser d'outils ou accessoires non recommandés pour ce produit. L'utilisation de pièces et accessoires non recommandés peut entraîner des blessures graves.

Les outils électriques utilisés sur la fibre de verre, le placoplâtre, les mastics de bouchage ou le plâtre s'usent plus vite et sont susceptibles de défaillance prématurée, car les particules et les éclats de fibre de verre sont fortement abrasifs pour les roulements, balais, commutateurs, etc. Toutefois, si l'outil a été utilisé sur l'un de ces matériaux, il est extrêmement important de le nettoyer à l'air comprimé.

LUBRIFICATION

Tous les roulements de cet outil sont enduits d'une quantité suffisante de lubrifiant de haute qualité pour la durée de vie de l'outil, dans des conditions d'utilisation normales. Aucune autre lubrification n'est donc nécessaire.

NETTOYAGE DES FERS

Maintenir les fers bien affûtés pour bénéficier d'un toupillage plus propre et net. Éliminer le goudron et le vernis des fers après chaque utilisation. N'affûter que le bord intérieur des tranchants des fers. Ne jamais meuler le bord extérieur. Lors de l'affûtage d'un fer, veiller à maintenir l'angle de tranchant d'origine.

NETTOYAGE DU COLLET

De temps à autre, il est également nécessaire de nettoyer le collet et son écrou. Pour ce faire, il suffit de retirer l'écrou du collet et d'éliminer la sciure et les copeaux accumulés. Ensuite, remettre l'écrou du collet en place.

**FIGURES (ILLUSTRATIONS) COMMENÇANT SUR 16
DE PAGE APRÈS LA SECTION ESPAGNOL.**

GARANTIE

GARANTIE D'ENTRETIEN DE 3 ANS SUR LES OUTILS ÉLECTRIQUES À MAIN ET D'ÉTABLI RIDGID®

Une preuve d'achat doit être présentée pour toute demande de réparation sous garantie.

Cette garantie se limite aux outils électriques à main et d'établi RIDGID® achetés à partir du 1/2/04. Ce produit est fabriqué par One World Technologies, Inc., sous licence de marque de RIDGID, Inc. Toutes les correspondances relatives à la garantie doivent être adressées à One World Technologies, Inc. à l'intention de: Service technique des outils motorisés à main et d'établi RIDGID, au 1-866-539-1710 (appel gratuit).

POLITIQUE DE SATISFACTION ASSURÉE DE 90 JOURS

En cas de non satisfaction pour quelque raison que ce soit au cours des 90 jours suivant la date d'achat de cet outil à main ou d'établi RIDGID®, il pourra être retourné au point de vente pour échange ou remboursement intégral. Pour obtenir un outil en échange, l'équipement original devra être retourné, dans son emballage d'origine, accompagné d'une preuve d'achat. L'outil fourni en échange sera couvert par la garantie limitée pour le restant de la période de validité de 3 ANS.

CE QUI EST COUVERT PAR LA GARANTIE LIMITÉE DE TROIS ANS

Cette garantie sur les outils électriques à main et d'établi RIDGID® couvre tous les vices de matériaux et de fabrication, ainsi que les articles de consommation courants, tels que balais, mandrins, moteurs, commutateurs, cordons, engrenages et même les batteries d'outils sans fil de cet outil RIDGID®, pour une période de trois ans, à compter de la date d'achat. Les garanties d'autres produits RIDGID® peuvent être différentes.

RÉPARATIONS SOUS GARANTIE

Pour toute réparation sous garantie, cet outil RIDGID® devra être retourné, en port payé, à un centre de réparations RIDGID® pour outils motorisés à main et d'établi agréé. L'adresse du centre de réparations agréé le plus proche peut être obtenue en appelant le 1-866-539-1710 (appel gratuit), ou en accédant au site Internet RIDGID® : www.ridgid.com. Le reçu de vente daté doit être présenté lors de toute demande de réparation sous garantie. Le centre de réparations agréé corrigera tout défaut de fabrication et réparera ou remplacera (à notre choix) gratuitement, toute pièce défectueuse.

CE QUI N'EST PAS COUVERT

La garantie ne couvre que l'acheteur au détail original et n'est pas transférable. Cette garantie ne couvre pas les problèmes de fonctionnement, défaillances ou autres défauts résultant d'un usage incorrect ou abusif, de la négligence, de la modification, de l'altération ou de réparations effectuées par quiconque autre qu'un centre de réparations d'outils motorisés à main et d'établi RIDGID®. Les articles de consommation fournis avec cet outil, tels que, mais sans y être limité, les lames, embouts et abrasifs, ne sont pas couverts.

RIDGID, INC., ET ONE WORLD TECHNOLOGIES, INC. NE FONT AUCUNE AUTRE GARANTIE, REPRÉSENTATION OU PROMESSE CONCERNANT LA QUALITÉ ET LES PERFORMANCES DE SES OUTILS MOTORISÉS, AUTRES QUE CELLES EXPRESSÉMENT INDIQUÉES DANS LE PRÉSENT DOCUMENT.

AUTRES LIMITATIONS

Sous réserve que les lois en vigueur le permettent, toutes les garanties implicites sont exclues, y compris les GARANTIES DE VALEUR MARCHANDE ou D'ADÉQUATION À UN USAGE PARTICULIER. Toutes les garanties implicites, y compris les garanties de valeur marchande ou d'adéquation à un usage particulier ne pouvant pas être exclues en raison des lois en vigueur, sont limitées à une durée de trois ans, à compter de la date d'achat. One World Technologies, Inc. et RIDGID, Inc. déclinent toute responsabilités pour les dommages directs ou indirects. Certains états et provinces ne permettant pas de limitation sur la durée des garanties implicites, et / ou l'exclusion ou la limitation des dommages directs ou indirects, les restrictions ci-dessus peuvent ne pas être applicables. Cette garantie donne au consommateur des droits spécifiques, et celui-ci peut bénéficier d'autres droits, qui varient selon les états ou provinces.

One World Technologies, Inc.

P.O Box 35 Highway 8

Pickens, SC 29671, États-Unis

REGLAS DE SEGURIDAD GENERALES

ADVERTENCIA:

Lea todas las instrucciones. El incumplimiento de las instrucciones señaladas abajo puede causar descargas eléctricas, incendios y lesiones serias. El término “herramienta eléctrica” empleado en todos los avisos de advertencia enumerados abajo se refiere a las herramientas eléctricas de cordón (alámbricas) y de pilas (inalámbricas).

GUARDE ESTAS INSTRUCCIONES DE SEGURIDAD EN EL ÁREA DE TRABAJO

- **Mantenga limpia y bien iluminada el área de trabajo.** Un área de trabajo mal despejada o mal iluminada propicia accidentes.
- **No utilice herramientas motorizadas en atmósferas explosivas, como las existentes alrededor de líquidos, gases y polvos inflamables.** Las herramientas eléctricas generan chispas que pueden encender el polvo y los vapores inflamables.
- **Mantenga alejados a los niños y circunstantes al maniobrar una herramienta eléctrica.** Toda distracción puede causar la pérdida del control de la herramienta.

SEGURIDAD ELÉCTRICA

- **Las clavijas de las herramientas eléctricas deben corresponder a las tomas de corriente donde se conectan. Nunca modifique la clavija de ninguna forma. No utilice ninguna clavija adaptadora con herramientas eléctricas dotadas de contacto a tierra.** Conectando las clavijas originales en las tomas de corriente donde corresponden se disminuye el riesgo de una descarga eléctrica.
- **Evite el contacto del cuerpo con las superficies de objetos conectados a tierra, como las tuberías, radiadores, estufas y refrigeradores.** Existe un mayor riesgo de descargas eléctricas si el cuerpo está haciendo tierra.
- **No exponga las herramientas eléctricas a la lluvia ni a condiciones de humedad.** La introducción de agua en una herramienta eléctrica aumenta el riesgo de descargas eléctricas.
- **No maltrate el cordón eléctrico. Nunca utilice el cordón para trasladar, desconectar o tirar de la herramienta eléctrica. Mantenga el cordón lejos del calor, aceite, bordes afilados y piezas móviles.** Los cordones eléctricos dañados o enredados aumentan el riesgo de descargas eléctricas.
- **Al utilizar una herramienta eléctrica a la intemperie, use un cordón de extensión apropiado para el exterior.** Usando un cordón adecuado para el exterior se disminuye el riesgo de descargas eléctricas.

SEGURIDAD PERSONAL

- **Permanezca alerta, preste atención a lo que esté haciendo y aplique el sentido común al utilizar herramientas eléctricas. No utilice la herramienta eléctrica si está cansado o se encuentra bajo los efectos de alguna droga, alcohol o medicamento.** Un momento de inatención al utilizar una herramienta eléctrica puede causar lesiones corporales serias.
- **Use equipo de seguridad. Siempre póngase protección ocular.** El uso de equipo de seguridad como mascarilla para el polvo, calzado de seguridad, casco y protección para los oídos en las circunstancias donde corresponda disminuye el riesgo de lesiones.
- **Evite un arranque accidental de la unidad. Asegúrese de que el interruptor esté en la posición de apagado antes de conectar la herramienta.** Portar las herramientas eléctricas

con el dedo en el interruptor, o conectarlas con el interruptor puesto, propicia accidentes.

- **Retire toda llave o herramienta de ajuste antes de encender la herramienta eléctrica.** Toda llave o herramienta de ajuste dejada en una pieza giratoria de la herramienta eléctrica puede causar lesiones.
- **No estire el cuerpo para alcanzar mayor distancia. Mantenga una postura firme y buen equilibrio en todo momento.** De esta manera se logra un mejor control de la herramienta eléctrica en situaciones inesperadas.
- **Vístase adecuadamente. No vista ropas holgadas ni joyas. Mantenga el cabello, la ropa y los guantes alejados de las piezas móviles.** Las ropas holgadas y las joyas, así como el cabello largo, pueden engancharse en las piezas móviles.
- **Si se suministran dispositivos para conectar mangueras de extracción y captación de polvo, asegúrese de que éstas estén bien conectadas y se usen correctamente.** La utilización de estos dispositivos puede disminuir los peligros relacionados con el polvo.
- **No vista ropas holgadas ni joyas. Recójase el cabello si está largo.** Las ropas holgadas y las joyas, así como el cabello largo, pueden resultar atraídas hacia el interior de las aberturas de ventilación.
- **No utilice la unidad al estar en una escalera o en un soporte inestable.** Una postura estable sobre una superficie sólida permite un mejor control de la herramienta en situaciones inesperadas.

EMPLEO Y CUIDADO DE LA HERRAMIENTA ELÉCTRICA

- **No fuerce la herramienta eléctrica. Utilice la herramienta eléctrica adecuada para cada trabajo.** La herramienta eléctrica adecuada efectúa mejor y de manera más segura el trabajo, si además se maneja a la velocidad para la que está diseñada.
- **No utilice la herramienta si el interruptor no enciende ni se apaga.** Cualquier herramienta eléctrica que no pueda controlarse con el interruptor es peligrosa y debe repararse.
- **Desconecte la clavija del suministro de corriente o retire el paquete de pilas de la herramienta eléctrica, según sea el caso, antes de efectuarle cualquier ajuste, cambiarle accesorios o guardarla.** Tales medidas preventivas de seguridad reducen el riesgo de poner en marcha accidentalmente la herramienta eléctrica.
- **Guarde las herramientas eléctricas desocupadas fuera del alcance de los niños y no permita que las utilicen personas no familiarizadas con las mismas o con estas instrucciones.** Las herramientas son peligrosas en manos de personas no capacitadas en el uso de las mismas.
- **Preste mantenimiento a las herramientas eléctricas. Revise para ver si hay desalineación o atoramiento de piezas móviles, ruptura de piezas o toda otra condición que pueda afectar el funcionamiento de la herramienta eléctrica. Si está dañada la herramienta eléctrica, permita que la reparen antes de usarla.** Numerosos accidentes son causados por herramientas eléctricas mal cuidadas.
- **Mantenga las herramientas de corte afiladas y limpias.** Las herramientas de corte bien cuidadas y con bordes bien afilados, tienen menos probabilidad de atascarse en la pieza de trabajo y son más fáciles de controlar.
- **Utilice la herramienta eléctrica, los accesorios y brocas, hojas de corte, ruedas de esmeril, etc. de conformidad con estas instrucciones, y de la forma apropiada para cada una de dichas herramientas, tomando en cuenta las condiciones de trabajo y la tarea por realizar.** Si se utiliza la herramienta eléctrica para operaciones diferentes de las indicadas, podría originar una situación peligrosa.

REGLAS DE SEGURIDAD GENERALES

SERVICIO

- Permita que un técnico de reparación calificado preste servicio a la herramienta eléctrica, y sólo con piezas de repuesto idénticas. De esta manera, se mantiene la seguridad de la herramienta eléctrica.

¡ADVERTENCIA!

Para reducir el riesgo de lesiones, el usuario debe leer el manual de instrucciones.

- Al dar servicio a una herramienta eléctrica, sólo utilice piezas de repuesto idénticas. Siga las instrucciones señaladas en la sección Mantenimiento de este manual. El empleo de piezas no autorizadas o el incumplimiento de las instrucciones de mantenimiento puede significar un riesgo de descarga eléctrica o de lesiones.

REGLAS DE SEGURIDAD ESPECÍFICAS

- Sujete la herramienta eléctrica por las superficies aisladas de sujeción al efectuar una operación en la cual la herramienta de corte pueda entrar en contacto con cables ocultos o con su propio cordón eléctrico. Con cualquier contacto de una herramienta de corte con un cable cargado se cargan las piezas metálicas expuestas de la herramienta de corte y recibe una descarga eléctrica el operador.
- Utilice prensas o cualquier otro medio práctico de asegurar y sostener la pieza de trabajo en una plataforma segura. Sostener la pieza con la mano o contra el cuerpo es inestable y puede causar una pérdida de control.
- Familiarícese con su herramienta eléctrica. Lea cuidadosamente el manual del operador. Aprenda sus usos y limitaciones, así como los posibles peligros específicos de esta herramienta. Con el cumplimiento de esta regla se reduce el riesgo de una descarga eléctrica, incendio o lesión seria.
- Siempre póngase protección ocular con protección lateral con la marca de cumplimiento de la norma ANSI Z87.1. La inobservancia de esta advertencia puede permitir que los objetos lanzados hacia los ojos puedan provocar lesiones graves.
- Protéjase los pulmones. Use una careta o mascarilla contra el polvo si la operación genera mucho polvo. Con el cumplimiento de esta regla se reduce el riesgo de lesiones serias.
- Protéjase los oídos. Durante períodos prolongados de utilización del producto, póngase protección para los oídos. Con el cumplimiento de esta regla se reduce el riesgo de lesiones serias.
- Inspeccione periódicamente los cordones eléctricos de las herramientas, y si están dañados, permita que los reparen en el centro de servicio autorizado más cercano de la localidad. Observe constantemente la ubicación del cordón eléctrico. Con el cumplimiento de esta regla se reduce el riesgo de una descarga eléctrica o incendio.
- Revise para ver si hay piezas dañadas. Antes de seguir utilizando la herramienta, es necesario inspeccionar cuidadosamente toda protección o pieza dañada para determinar si funcionará correctamente y desempeñará la función a la que está destinada. Verifique la alineación de las partes móviles, que no haya atoramiento de las mismas, que no haya piezas rotas, el montaje de las piezas y cualquier otra condición que pudiera afectar su funcionamiento. Toda protección o pieza que esté dañada debe repararse apropiadamente o reemplazarse en un centro de servicio autorizado. Con el cumplimiento de esta regla se reduce el riesgo de una descarga eléctrica, incendio o lesión grave.
- Asegúrese de que esté en buen estado el cordón de extensión. Al utilizar un cordón de extensión, utilice uno del suficiente calibre para soportar la corriente que consume el producto. Se recomienda que los conductores sean de calibre 14 (A.W.G.) por lo menos, para un cordón de extensión de 15 metros (50 pies) de largo o menos. No se recomienda utilizar un cordón con más de 50 pies (15 metros) de largo. Si tiene dudas, utilice un cordón del calibre más grueso siguiente. Cuanto menor es el número de calibre, mayor es el grueso del cordón. Un cordón de un calibre insuficiente causa una caída en el voltaje de línea, y produce recalentamiento y pérdida de potencia.
- Inspeccione la madera y elimine todos los clavos presentes en la misma antes de usar esta herramienta. Con el cumplimiento de esta regla se reduce el riesgo de lesiones serias.
- Las fresas continúan girando por inercia después de apagarse la fresadora.
- Guarde estas instrucciones. Consúltelas con frecuencia y empléelas para instruir a otras personas que puedan utilizar esta herramienta. Si presta a alguien esta herramienta, facilítele también las instrucciones.

ADVERTENCIA:




Este producto y algunos polvos generados al efectuarse operaciones de lijado, aserrado, esmerilado, taladrado y de otros tipos en la construcción, contienen compuestos químicos sabidamente causantes de cáncer, defectos congénitos y otras afecciones del aparato reproductor. **Lávese las manos después de utilizar el aparato.** Algunos ejemplos de estas sustancias químicas son:

- plomo de las pinturas a base de plomo,
- silicio cristalino de los ladrillos, del cemento y de otros productos de albañilería, y
- arsénico y cromo de la madera químicamente tratada.





El riesgo de la exposición a estos compuestos varía, según la frecuencia con que se realice este tipo de trabajo. Para reducir la exposición personal a este tipo de compuestos: trabaje en áreas bien ventiladas, y con equipo de seguridad aprobado, tal como las caretas para el polvo especialmente diseñadas para filtrar partículas microscópicas.

SÍMBOLOS

Las siguientes palabras de señalización y sus significados tienen el objeto de explicar los niveles de riesgo relacionados con este producto.

SÍMBOLO	SEÑAL	SIGNIFICADO
	PELIGRO:	Indica una situación peligrosa inminente, la cual, si no se evita, causará la muerte o lesiones serias.
	ADVERTENCIA:	Indica una situación peligrosa posible, la cual, si no se evita, podría causar la muerte o lesiones serias.
	PRECAUCIÓN:	Indica una situación potencialmente peligrosa la cual, si no se evita, puede causar lesiones leves o moderadas.
	PRECAUCIÓN:	(Sin el símbolo de alerta de seguridad) Indica una situación que puede producir daños materiales.

Es posible que se empleen en este producto algunos de los siguientes símbolos. Le suplicamos estudiarlos y aprender su significado. Una correcta interpretación de estos símbolos le permitirá utilizar mejor y de manera más segura el producto.

SÍMBOLO	NOMBRE	DENOMINACIÓN/EXPLICACIÓN
	Alerta de seguridad	Indica un peligro posible de lesiones personales.
	Lea el manual del operador	Para reducir el riesgo de lesiones, el usuario debe leer y comprender el manual del operador antes de usar este producto.
	Protección ocular	Siempre póngase protección ocular con protección lateral con la marca de cumplimiento de la norma ANSI Z87.1.
V	Volts	Voltaje
A	Amperes	Corriente
Hz	Hertz	Frecuencia (ciclos por segundo)
min	Minutos	Tiempo
~	Corriente alterna	Tipo de corriente
n _o	Velocidad en vacío	Velocidad de rotación, en vacío
	Fabricación Clase II	Fabricación con doble aislamiento
.../min	Por minuto	Revoluciones, carreras, velocidad superficial, órbitas, etc., por minuto

ASPECTOS ELÉCTRICOS

DOBLE AISLAMIENTO

El doble aislamiento es una característica de seguridad de las herramientas eléctricas, la cual elimina la necesidad de usar el típico cordón eléctrico de tres conductores con conexión a tierra. Todas las partes metálicas expuestas están aisladas de los componentes metálicos internos del motor por medio de aislamiento de protección. No es necesario conectar a tierra las herramientas con doble aislamiento.

ADVERTENCIA:

El sistema de doble aislamiento está destinado para proteger al usuario contra las descargas eléctricas resultantes de la ruptura del cableado interno de la herramienta. Observe todas las precauciones de seguridad para evitar descargas eléctricas.

NOTA: El mantenimiento de una herramienta con doble aislamiento requiere sumo cuidado y conocimiento del sistema, y únicamente deben realizarlo técnicos de servicio calificados. Para el servicio de la herramienta, le sugerimos llevarla al centro de servicio autorizado más cercano para toda reparación. Siempre utilice piezas de repuesto de la fábrica original al dar servicio a la unidad.

CONEXIÓN ELÉCTRICA

Esta herramienta dispone de un motor eléctrico fabricado con precisión. Debe conectarse únicamente a un **suministro de corriente de 120 V, de corriente alterna solamente (corriente normal para uso doméstico), 60 Hz**. No utilice esta herramienta con corriente continua (c.c.). Una caída considerable de voltaje causa una pérdida de potencia y el recalentamiento del motor. Si la herramienta no funciona al conectarla en una toma de corriente, vuelva a verificar el suministro de voltaje.

CORDONES DE EXTENSIÓN

Al utilizar una herramienta eléctrica a una distancia considerable de la fuente de voltaje, asegúrese de utilizar un cordón de extensión con la suficiente capacidad para soportar la corriente de consumo de la herramienta. Un

cordón de un calibre insuficiente causa una caída en el voltaje de línea, la cual a su vez produce recalentamiento y pérdida de potencia. Báse en la tabla suministrada para determinar el grueso mínimo requerido del cordón de extensión. Solamente deben utilizarse cordones con forro redondo registrados en Underwriter's Laboratories (UL).

Al trabajar a la intemperie con una herramienta, utilice un cordón de extensión fabricado para uso en el exterior. Este tipo de cordón lleva las letras "WA" en el forro.

Antes de utilizar un cordón de extensión, inspecciónelo para ver si tiene conductores flojos o expuestos y aislamiento cortado o gastado.

**Amperaje (aparece en la placa frontal)

Longitud del cordón	Calibre conductores (A.W.G.)					
	0-2,0	2,1-3,4	3,5-5,0	5,1-7,0	7,1-12,0	12,1-16,0
25'	16	16	16	16	14	14
50'	16	16	16	14	14	12
100'	16	16	14	12	10	—

**Se usa en los circuitos de calibre 12, 20 A0.

NOTA: AWG = Calibre conductores norma americana

ADVERTENCIA:

Mantenga el cordón de extensión fuera del área de trabajo. Al trabajar con una herramienta eléctrica, coloque el cordón de tal manera que no pueda enredarse en la madera, herramientas ni en otras obstrucciones. La inobservancia de esta advertencia puede causar lesiones serias.

ADVERTENCIA:

Inspeccione los cordones de extensión cada vez antes de usarlos. Si están dañados reemplácelos de inmediato. Nunca utilice la herramienta con un cordón dañado, ya que si toca la parte dañada puede producirse una descarga eléctrica, y las consecuentes lesiones serias.

CARACTERÍSTICAS

ESPECIFICACIONES DEL PRODUCTO

Profundidad de corte.....51 mm (2 pulg.)
Portaherramienta..... 13 mm (1/2 pulg.)
[con adaptador del 6 mm (1/4 pulg.)]
Potencia máxima..... 2 HP

Velocidad en vacío 10 000 – 23 000 r/min (RPM)
Corriente de entrada.....120 V, sólo corr. alt., 60 Hz, 11 A

CARACTERÍSTICAS

FAMILIARÍCESE CON LA FRESADORA

Vea la figura 1, página 16.

Para usar este producto con la debida seguridad se debe comprender la información indicada en la herramienta misma y en este manual, y se debe comprender también el trabajo que intenta realizar. Antes de usar este producto, familiarícese con todas las características de funcionamiento y normas de seguridad del mismo.

CENTRADOR

El centrador sirve para alinear la subbase con el centro del portaherramientas al volver a unir la subbase a la fresadora.

PROTECTOR CONTRA VIRUTAS

En el frente de la fresadora se instala un protector de plástico transparente contra el polvo y las virutas que pudieran salir impulsadas al aire. El protector está diseñado para acomodarse a la abertura de la base de la fresadora.

LUCES DE TRABAJO DE DIODO LUMINISCENTE

Las luces de trabajo de diodo luminiscente, las cuales están situadas en la parte inferior del motor de la fresadora, iluminan cuando el interruptor está en encendido. De esta manera se suministra luz adicional para mayor visibilidad.

ARMADO

DESEMPAQUETADO

Embarcamos este producto completamente armado.

- Extraiga cuidadosamente de la caja la producto y los accesorios. Asegúrese de que estén presentes todos los artículos enumerados en la lista de empaquetado.

ADVERTENCIA:

No use este producto si no está totalmente ensamblado o si alguna pieza falta o está dañada. Si utiliza un producto que no se encuentra ensamblado de forma correcta y completa, puede sufrir lesiones graves.

- Inspeccione cuidadosamente la producto para asegurarse de que no haya sufrido ninguna rotura o daño durante el transporte.
- No deseche el material de empaquetado sin haber inspeccionado cuidadosamente la producto y haberla utilizado satisfactoriamente.
- Si hay piezas dañadas o faltantes, le suplicamos llamar al 1-866-539-1710, donde le brindaremos asistencia.

INTERRUPTOR DESLIZANTE

El interruptor deslizante está situado en la parte superior del alojamiento del motor. Es de arranque suave para prolongar la vida de servicio del motor y confiere al operador más control al arrancar la fresadora.

SEGURO DEL HUSILLO

El seguro del husillo impide el giro del portaherramientas mientras se instalan o quitan fresas.

ADAPTADORE PARA ASPIRADORA

El adaptadore para aspiradora se conectan a la base de la fresadora, y en conjunto con una aspiradora permiten fresar sin diseminar aserrín.

SELECTOR DE VELOCIDAD GIRATORIO

El selector de velocidad giratorio permite ajustar la velocidad de la fresadora de 10 000 a 23 000 r/min.

LISTA DE EMPAQUETADO

Motor de la fresadora

Base fija

Tornillos del aditamento de mesa para fresadora (3)

Adaptador para portaherramientas de 6 mm (1/4 pulg.)

Adaptador para aspiradora 32 mm (1-1/4 pulg.)

Tornillos del adaptador de la aspiradora (2)

Centrador (incluye cono y clavija)

Llave para portaherramientas

Llave de mango en "T"

Bolsa

Manual del operador

ADVERTENCIA:

Si hay piezas dañadas o faltantes, no utilice esta producto sin haber reemplazado todas las piezas. La inobservancia de esta advertencia podría causar lesiones serias.

ARMADO

ADVERTENCIA:

No intente modificar esta herramienta ni hacer accesorios no recomendados para la misma. Cualquier alteración o modificación constituye maltrato, el cual puede causar una condición peligrosa, y como consecuencia posibles lesiones serias.

ADVERTENCIA:

No conecte la unidad al suministro de corriente sin haber terminado de armarla. De lo contrario la unidad puede ponerse en marcha accidentalmente, con el consiguiente riesgo de lesiones serias.

FUNCIONAMIENTO

ADVERTENCIA:

No permita que su familiarización con las herramientas lo vuelva descuidado. Tenga presente que un descuido de un instante es suficiente para infligir una lesión grave.

ADVERTENCIA:

Siempre póngase protección ocular con protección lateral con la marca de cumplimiento de la norma ANSI Z87.1. La inobservancia de esta advertencia puede permitir que los objetos lanzados hacia los ojos puedan provocar lesiones graves.

PRECAUCIÓN:

Si el motor no está instalado en la base, no apriete la palanca de fijación. El incumplimiento de esta medida de precaución puede producir daños serios en el mecanismo.

USOS

Este producto puede emplearse para los fines enumerados abajo:

- Fresar ranuras, contornear diseños, escoplear jambas de puertas y elaborar ensambladuras en madera y derivados de la madera
- Ebanistería, fresado de cubiertas de muebles y trabajo de acabado en madera y derivados de la madera

EXTRACCIÓN/INSTALACIÓN DE LA BASE DE LA FRESADORA

Vea las figuras 2 y 3, página 16.

Para quitar la base:

- Desconecte la fresadora.
- Sujete la fresadora firmemente con el logotipo orientado en dirección opuesta a usted.
- Desasegure la palanca de fijación que se encuentra en la base

NOTA: No debería ser posible mover el motor de la fresadora con la palanca de fijación asegurada. Si hay

movimiento posible con la palanca de fijación asegurada, es necesario efectuar un ajuste en dicha palanca. Ver *Ajustes*.

- Sujete los mangos y jale de la palanca de interbloqueo de profundidad desde la ranura que se encuentra en el motor.
- Levante el motor mientras jala de la palanca de interbloqueo de profundidad hasta que la lengüeta de la palanca de interbloqueo de profundidad salga del área de la ranura.
- Una vez que la lengüeta haya librado la ranura, suelte la palanca de interbloqueo de profundidad.
- Jale del motor hacia arriba hasta que se desenganche de la base. Tenga precaución, ya que cualquier forzamiento puede producir daños permanentes en el mecanismo de fijación.

Para instalar la base:

- Desconecte la fresadora.
- Con el lado derecho de la base hacia arriba, desasegure la palanca de fijación.

NOTE: NO deje la palanca de fijación en la posición asegurada.

- Alinee la ranura de la base con la espiga que se encuentra en el motor y deslice el motor dentro de la base hasta que se detenga.
- Jale de la palanca de interbloqueo de profundidad.
- Coloque la lengüeta de la palanca de interbloqueo de profundidad en la ranura que se encuentra en el motor.
- Asegure la palanca de fijación.

ADVERTENCIA:

Si la tuerca del portaherramientas no está apretada firmemente, puede desprenderse la broca durante el uso y puede causar lesiones graves.

ADVERTENCIA:

No use fresas de diámetro superior a 57 mm (2-1/4 pulg.). Nunca use fresas de diámetro superior a la abertura de la subbase de la fresadora. Estas situaciones también podrían causar la posible pérdida del control o crear otras condiciones peligrosas que a su vez podrían causar posibles lesiones corporales graves.

FUNCIONAMIENTO

PRECAUCIÓN:

Para evitar dañar el husillo o el seguro del mismo, siempre deje que el motor se detenga completamente antes de enganchar el seguro.

⚠️ ADVERTENCIA:

Si se dispone a cambiar una fresa inmediatamente después de usarla, tenga cuidado de no tocar la tuerca del portaherramientas, la fresa o el portaherramientas con los dedos ni con las manos. Puede quemarse debido al calor acumulado durante el corte. Siempre use la llave suministrada.

MONTAJE Y DESMONTAJE DE LOS PORTAHERRAMIENTAS Y LAS FRESAS

Veá las figuras 4 y 5, página 16.

- Desconecte la fresadora.
- Oprima y mantenga oprimida la traba del husillo.
NOTA: Si el botón está presionado y no se introduce totalmente, gire el portaherramientas mientras continúa presionando el botón del seguro de husillo hasta que éste se asegure en su lugar.

- Con la llave del portaherramientas provista, afloje la tuerca del portaherramientas.

NOTA: Si desea cambiar la fresa, ésta se deslizará fácilmente del portaherramientas después de aflojarla.

- Inserte el adaptador del portaherramientas, si está deseado.

Para la instalación:

- Inserte el adaptador del portaherramientas para 6,35 mm (1/4 pulg.) hasta que haga tope.

NOTA: El portaherramientas está diseñado para sostener fresas con vástago de 12,7 mm (1/2 pulg.). Para utilizar fresas con vástago de 6,35 mm (1/4 pulg.), primero debe colocar el adaptador del portaherramientas para esa medida.

- Introduzca la fresa deseada hasta que el área de corte de la fresa quede, aproximadamente, entre 3,18 mm (1/8 pulg.) y 6,35 mm (1/4 pulg.) de la cara de la tuerca del portaherramientas.

NOTA: Asegúrese de que el portaherramientas siempre sujete el fuste (el extremo no cortante) de la fresa.

- Con la llave suministradas apriete firmemente la tuerca del portaherramientas girándola a la derecha.

NOTA: Siempre asegúrese de que esté instalada una broca antes de intentar ajustar el portaherramientas con la llave. Ajustar el portaherramientas con una llave sin que haya ninguna broca instalada dañará el portaherramientas.

- Suelte el botón del seguro del husillo.

Para desmontar la fresa:

- Con la llave suministradas sostenga la tuerca del portaherramientas y mantenga oprimido el seguro del husillo hasta fijarlo en su lugar.

NOTA: Si se oprime el botón y no entra completamente, gire el casquillo hasta que el seguro del husillo se aloje bien en su lugar.

- Afloje la tuerca del portaherramientas y retire la fresa.
- Suelte el botón del seguro del husillo.

⚠️ ADVERTENCIA:

La fresa continúa girando después de apagarse la fresadora. Para evitar lesiones, espere hasta que se detenga completamente la fresa antes de retirar de la pieza de trabajo la fresadora.

SELECCIÓN DE LA PROFUNDIDAD DE CORTE

La profundidad de corte apropiada depende de varios factores: la potencia del motor de la fresadora, el tipo de fresa y el tipo de madera. Una fresadora liviana de baja potencia es para efectuar un fresado poco profundo; una fresadora de mayor potencia es para un fresado más profundo. Las fresas pequeñas, como las de ranurar con un diámetro de corte de 1,6 mm (1/16 pulg.), están diseñadas para eliminar únicamente cantidades pequeñas de madera. Las fresas grandes, como las de acanaladuras rectas, eliminan cantidades más grandes de madera y efectúan cortes más profundos en maderas suaves, como la de pino blanco.

Escoja una profundidad de corte que no imponga demasiado esfuerzo al motor de la fresadora. Si necesita fuerza adicional, o si baja considerablemente la velocidad del motor, apague la fresadora y reduzca la profundidad de corte. Después, efectúe el corte en dos o más pasadas.

Al cortar una ranura que sea demasiado profunda para efectuar el corte en una pasada, realice el corte en varias pasadas. Recomendamos que la profundidad de los cortes no se exceda de (3,2 mm) (1/8 pulg.) a la vez, y efectuar varias pasadas para alcanzar profundidades mayores.

AJUSTE DE LA PROFUNDIDAD DE CORTE

Veá las figuras 6 y 7, páginas 17.

La profundidad de corte de la fresa puede ajustarse girando a la derecha o izquierda la perilla de ajuste de profundidad.

La configuración de profundidad se puede leer en la perilla de ajuste de profundidad. Cada marca de la escala indica 0,4 mm (1/64 pulg.) de cambio en el ajuste de la profundidad.

- Desconecte la fresadora.
- Desasegure la palanca de fijación
- Gire la perilla de ajuste de profundidad hacia la izquierda para aumentar la profundidad de corte o, hacia la derecha, para disminuir la profundidad de corte.

NOTA: No debería ser posible efectuar ajustes de profundidad con la palanca de fijación asegurada. Si es posible efectuar ajustes de profundidad con la palanca de fijación asegurada, es necesario efectuar un ajuste en dicha palanca. Veá la sección *Ajustes*.

- Una vez alcanzada la profundidad de corte deseada, lock the lock lever.

NOTA: Para ajustar la profundidad de corte cuando la fresadora está instalada en una mesa de fresadora, desasegure la palanca de fijación, gire la perilla de ajuste de profundidad hasta que la fresa alcance la profundidad de corte deseada y asegure la palanca de fijación.

FUNCIONAMIENTO

Cuando la herramienta está montada en una mesa para fresadora, fácilmente pueden efectuarse ajustes de profundidad con la llave de mango en "T" suministrada.

Para realizar ajustes a través de la mesa:

- Desconecte la fresadora.
- Afloje la palanca de fijación.
- Introduzca la llave de mango en "T" a través del agujero de la mesa para fresadora y en el agujero de la subbase, y por último coloque el cubo de la llave en la tuerca de ajuste.
- Gire la llave hacia la izquierda para disminuir la profundidad de corte o, hacia la derecha, para aumentar la profundidad de corte.

NOTA: No debería ser posible efectuar ajustes de profundidad con la palanca de fijación asegurada. Si es posible efectuar ajustes de profundidad con la palanca de fijación asegurada, es necesario efectuar un ajuste en dicha palanca. Vea la sección *Ajustes*.

- Una vez alcanzada la profundidad de corte deseada, asegure la palanca de fijación.

ADVERTENCIA:

Jamás debe usarse con mesas para fresadora que no cumplan con las prácticas seguras de carpintería y ofrezcan protección adecuada en la fresa. Usar tablas de enrutadores que hayan sido clasificadas por UL y consideradas adecuadas para usar con el modelo de enrutador específico. De lo contrario puede producirse un accidente, con el consiguiente riesgo de lesiones.

ADVERTENCIA:

Sólo utilice las mesas para fresadoras con la debida protección de la fresa y los receptáculos controlados por el interruptor de la unidad. El empleo de las mesas de fresadoras sin usar las debidas características de seguridad puede causar lesiones corporales serias.

ENCENDIDO Y APAGADO DE LA FRESADORA

Vea la figura 8, página 17.

La fresadora incorpora un sistema de arranque suave que permite un aumento gradual de la velocidad, a partir de 0 rev/min hasta llegar a la velocidad fijada con el selector correspondiente. Por ejemplo, si la velocidad de la fresadora se fija a 16000 rev/min antes de apagarla y luego se enciende de nuevo, el motor está diseñado para acelerarse gradualmente hasta llegar a esa velocidad, en lugar de arrancar a toda la velocidad de 16000 rev/min.

Para encender la fresadora, empuje el interruptor a la posición de encendido (**I**) u (**ON**). Una vez terminada la operación de fresado, regrese el interruptor a la posición de apagado (**O**) u (**OFF**).

SELECTOR DE VELOCIDAD GIRATORIO

Vea la figura 9, página 17.

La fresadora dispone de un selector de velocidad diseñado para permitir al operador controlar y ajustar los límites de velocidad y potencia. La velocidad y la potencia de la fresadora pueden aumentarse o disminuirse girando el selector de velocidad en la dirección de las flechas.

NOTA: Para aumentar la velocidad y la potencia, sostenga la fresadora en la posición normal de funcionamiento y gire el selector de velocidad a los números superiores. Para disminuir la velocidad y la potencia, gire el selector a los números inferiores. Evite utilizar la fresadora a velocidad baja durante períodos de tiempo prolongados. Si se hace funcionar la fresadora a baja velocidad en uso constante puede recalentarse. Si ocurre tal situación, enfríe la fresadora poniéndola a funcionar en vacío y a toda velocidad.

Para ajustar la velocidad de la fresadora, gire el selector de velocidad a la marca deseada.

UTILIZACIÓN DE LA FRESADORA

Vea las figuras 10 y 11, página 17.

Al fresar en línea recta por la pieza de trabajo, sujete con prensas una regla o pieza recta a la pieza de trabajo para usarla como guía.

NOTA: También hay a la disponibilidad guías para cantos para la fresadora. Vea el apartado *Accesorios*.

Coloque la regla paralela a la línea de corte, tomando en cuenta la distancia existente entre el filo de corte de la fresa y el borde de la base de la fresadora. Sostenga la base de la fresadora contra la regla y frese la ranura.

Al fresar una ranura más ancha que el diámetro de la fresa, fije con prensas una regla o pieza recta en ambos lados de las líneas de corte. Coloque ambas guías paralelas a la línea de corte deseada y separadas a distancias iguales de los bordes deseados de la ranura. Frese a lo largo de una de las guías, y después en dirección inversa frese a lo largo de la otra guía. Frese el material restante en el centro de la ranura.

Al fresar una ranura, el desplazamiento debe hacerse en una dirección tal que quede en el lado derecho la guía que esté utilizando. Cuando la guía está colocada tal como se indica en la ilustración de la "guía en el interior" (figura 14), la herramienta debe desplazarse de izquierda a derecha y virar a la izquierda alrededor de las secciones curvas. Cuando la guía está colocada tal como se indica en la ilustración de la "guía en el exterior" (figura 14), la herramienta debe desplazarse de derecha a izquierda y virar a la derecha alrededor de las secciones curvas. Si existe alguna opción, la primera configuración es usualmente la más fácil de usar. En cualquiera de los casos, el empuje lateral que aplique deberá hacerlo contra la guía.

FRESADO INTERNO

- Incline la fresadora y colóquela en la pieza de trabajo sin que la fresa la toque.
- Encienda la fresadora y deje que el motor alcance plena velocidad.
- Avance gradualmente la fresa hacia la pieza de trabajo hasta que la subbase esté a nivel con dicha pieza.
- Apague la fresadora al terminar el fresado, y deje que la fresa se detenga completamente antes de retirar la fresadora de la pieza de trabajo.

FUNCIONAMIENTO

FRESADO DE CANTOS

- Sujete una regla (pieza recta) a la pieza de trabajo mediante prensas de mano, a manera de guía.
- Coloque la fresadora en el canto de la pieza de trabajo sin que la fresa la toque.
- Encienda la fresadora y deje que el motor alcance plena velocidad.
- Avance gradualmente la fresa hacia la pieza empleando la regla sujeta con prensas a manera de guía.
- Apague la fresadora al terminar el fresado, y deje que la fresa se detenga completamente antes de retirar la fresadora de la pieza de trabajo.

ADVERTENCIA:

No utilice fresas grandes para fresado a pulso. El empleo de fresas grandes para fresar a pulso podría causar la posible pérdida del control o crear otras condiciones peligrosas que a su vez podrían causar lesiones graves. Si va a utilizar una mesa para fresadora, las fresas grandes deben usarse para fresado de cantos únicamente.

FRESADO A PULSO

Veá la figura 12, página 17.

Al fresar a pulso, la fresadora se convierte en una herramienta versátil y flexible. Esta flexibilidad permite fresar con facilidad anuncios, esculturas en relieve, etc. Al fresar a pulso:

- Dibuje o trace el diseño en la pieza de trabajo.
- Escoja una fresa adecuada.

NOTA: A menudo se utiliza una fresa tubular o en “V” para fresar letras o grabar objetos. Las fresas rectas y las redondas se utilizan con frecuencia para esculpir relieves. Para esculpir detalles pequeños e intrincados se utilizan fresas de acanalar.

- Frese el diseño en dos o más pasadas. Efectúe la primera pasada a 25% de la profundidad de corte deseada. De esta manera se tiene mejor control y sirve de guía para la siguiente pasada.

NOTA: No frese a una profundidad superior a 3 mm (1/8 pulg.) por pasada.

FRESADO DE CANTOS CON FRESAS DE VÁSTAGO GUÍA

Veá la figura 13, página 17.

Las fresas tipo árbol con vástago guía son excelentes para un moldurado rápido y fácil de cualquier canto de la pieza de trabajo recto o curvo, con una curvatura igual o mayor que el radio de la fresa empleada. El vástago impide que la fresa efectúe un corte demasiado profundo, y manteniendo el vástago firmemente en contacto con el canto de la pieza de trabajo durante todo el corte se evita que el corte sea demasiado poco profundo.

Cada vez que el espesor de la pieza de trabajo junto con la profundidad de corte deseada (como se haya quedado en el ajuste de profundidad de corte de la fresadora) sean tales que la parte superior del canto vaya a fresarse [dejando por lo menos 1,6 mm (1/16 pulg.)], el vástago puede desplazarse por la parte sin cortar, la cual sirve de guía. No obstante, si la pieza

de trabajo es demasiado delgada o la fresa se ajusta tan abajo que no quedará canto sin cortar por el cual desplazar el vástago, debe colocarse una tabla extra bajo la pieza de trabajo para que sirva de guía. Esta tabla “guía” debe tener exactamente el mismo contorno —recto o curvo— que el canto de la pieza de trabajo. Si la guía se coloca de tal manera que el canto de la misma esté a nivel con el de la pieza de trabajo, la fresa efectúa un corte completo (hasta donde llegue el radio de la fresa). Por otra parte, si la guía se coloca como se muestra en la figura 12 (sobresaliendo del canto de la pieza de trabajo), la fresa no efectúa un corte completo, lo cual altera la forma del canto acabado.

NOTA: Cualquiera de las fresas de vástago puede usarse sin el vástago para contorneado de cantos con guías, como en el caso precedente. El tamaño del vástago (el diámetro) del vástago que se utiliza determina el ancho máximo de corte que puede efectuarse con el vástago contra el canto de la pieza de trabajo [el vástago delgado deja expuesta toda la fresa; el vástago grande reduce esta dimensión en 1,6 mm (1/16 pulg.)].

DIRECCIÓN DE AVANCE Y EMPUJE

Veá las figuras 14 y 15, páginas 17 y 18.

El motor de la fresadora y la fresa giran a la derecha. Esto brinda a la herramienta una leve tendencia a girar hacia la izquierda, especialmente cuando el motor comienza a girar.

Avance la fresadora hacia la pieza de trabajo de izquierda a derecha. Cuando se avanza la fresadora de izquierda a derecha, el giro de la fresa tira de la fresadora hacia la pieza de trabajo. Si se avanza en la dirección opuesta, la rotación de la fresa girando tiende a empujar la fresadora alejándola de la pieza de trabajo, causando así un contragolpe. Esto podría causar que usted pierda el control de la fresadora.

Debido a la elevada velocidad de giro de la fresa al avanzar la fresadora correctamente, existe muy poco contragolpe en condiciones normales. Sin embargo, si la fresa choca contra un nudo, fibras duras u objetos extraños que afecten el avance normal de la acción de corte, habrá una leve patada. La dirección del contragolpe siempre es en la dirección opuesta a la del giro de la fresa. Esto afecta la precisión del corte.

Para prevenir un contragolpe, planifique la operación y la dirección de avance, de manera que siempre esté empujando la herramienta en la misma dirección en la que está moviéndose el filo de corte de la fresa. El empuje debe hacerse en una dirección tal que mantenga los bordes afilados de la fresa cortando de forma continua y recta en madera nueva (sin cortar).

NOTA: Para lograr resultados óptimos, asegúrese de tomarse suficiente tiempo para preparar el corte. Al estar fresando, asegúrese de avanzar a una velocidad correcta.

VELOCIDAD DE AVANCE CORRECTA

Un fresado profesional implica una cuidadosa preparación y una correcta velocidad de avance, todo lo cual se aprende a través de la práctica y el uso de la herramienta. La velocidad correcta de avance depende de:

- la dureza y contenido de humedad de la pieza de trabajo
- la profundidad de corte
- el diámetro de corte de la fresa

Al fresar ranuras de poca profundidad en maderas blandas como el pino, pueden usarse velocidades de avance más elevadas. Al efectuar cortes profundos en maderas duras como el roble, se requiere una velocidad de avance más lenta.

FUNCIONAMIENTO

Hay varios factores que le ayudarán a seleccionar la velocidad de avance correcta.

- Escoja una velocidad de avance que no aminore la velocidad de giro del motor.
- Escoja una velocidad de avance a la cual la fresa avance firme y seguramente para producir una espiral continua de virutas uniformes o un canto liso.
- Escuche el sonido del motor. Un sonido agudo significa que está avanzando la unidad con demasiada lentitud. Un sonido grave indica un avance forzado.
- Revise el avance logrado en cada corte. Un avance demasiado lento puede causar que la fresadora se desplace en una dirección errónea con respecto a la línea de corte original. Un avance forzado aumenta el esfuerzo de sostener la herramienta y produce una pérdida de velocidad.
- Observe las virutas generadas al cortar. Si se avanza la fresadora con demasiada lentitud quemará la madera. Si se avanza con demasiada rapidez, corta virutas muy grandes de madera y deja marcas de gubia.

Efectúe un corte de prueba en una pieza de desecho de madera igual a la de la pieza de trabajo antes de comenzar. Siempre sujete y sostenga la fresadora firmemente con ambas manos.

Si va a fresar una ranura poco profunda de diámetro pequeño en madera suave seca, la velocidad de avance adecuada puede determinarse por la velocidad a la que puede desplazar la fresadora a lo largo de la línea guía. Si la fresa es grande, el corte es profundo o la pieza de trabajo es dura de cortar, la velocidad de avance posiblemente deba ser lenta. Un corte a contrahilo puede requerir un paso más lento que un corte idéntico al hilo en la misma pieza de trabajo.

AVANCE DEMASIADO RÁPIDO

Vea la figura 16, página 18.

Un fresado limpio y uniforme de ranuras y cantos únicamente se logra cuando la fresa gira a velocidades relativamente altas y corta trozos muy pequeños para producir partículas minúsculas y bien cortadas. Si se fuerza la fresadora a un avance demasiado rápido, la velocidad de giro de la fresa será menor que la normal en relación con su movimiento de avance. Como resultado, la fresa debe cortar trozos más grandes al girar. Trozos más grandes significan virutas más grandes y un acabado más áspero. Además, debido a que los cortes más grandes requieren más potencia, el motor de la fresadora podría sobrecargarse.

En condiciones de avance sumamente forzado, la velocidad de giro relativa de la fresa puede reducirse tanto —y los trozos que tiene que cortar son tan grandes— que las virutas se arrancan parcialmente (en vez de cortarse completamente). Esto causa astilladuras y marcas de gubia en la pieza de trabajo.

La fresadora es una herramienta de velocidad sumamente alta, y efectúa cortes limpios y uniformes si se le permite funcionar libremente sin la sobrecarga de un avance forzado. Siempre puede detectarse un avance forzado por medio del sonido del motor. Su zumbido de tono alto sonará más grave y más fuerte al perder velocidad. Además, el esfuerzo para sostener la herramienta aumenta considerablemente.

AVANCE DEMASIADO LENTO

Vea la figura 17, página 18.

Es posible arruinar un corte si se avanza la fresadora muy lentamente. Al avanzar la fresadora muy lentamente hacia la pieza de trabajo, al girar la fresa no penetrará en la madera con la rapidez suficiente para cortar apropiadamente; en vez de ello, apenas raspa partículas de aserrín. El raspado produce calor, el cual puede cristalizar, quemar o estropear el corte, y en casos extremos, puede calentar excesivamente la fresa, y perjudicar la dureza de ésta.

Cuando la fresa está raspando en lugar de cortar, es más difícil controlar la fresadora. Cuando el motor está prácticamente sin carga alguna, la fresa gira casi a la velocidad máxima, y tiene una tendencia, mucho mayor que la normal, para rebotar de los lados del corte (especialmente si la madera tiene fibras pronunciadas con áreas duras y blandas). Como resultado, el corte producido puede tener lados ondulados en vez de tener lados rectos.

Un avance demasiado lento puede causar que la fresadora se desplace en una dirección errónea respecto a la línea de corte original. Al utilizar la fresadora siempre sujétela y sosténgala firmemente con ambas manos.

Se puede detectar un avance muy lento de la fresadora mediante el sonido de tono alto que escapa del motor o al sentir las vibraciones de la fresa en el corte.

PROFUNDIDAD DEL CORTE

Vea las figuras 18 y 19, página 18.

La profundidad de corte es importante porque afecta la velocidad de avance, la cual, a su vez, afecta la perfección del corte y con la posibilidad de dañar el motor de la herramienta y la fresa misma.

Un corte profundo requiere una velocidad de corte más lenta que un corte menos profundo. Un corte muy profundo disminuye la velocidad de avance y la fresa raspa en lugar de cortar. Un corte demasiado profundo puede causar la rotura de las fresas pequeñas. Las fresas que tienen 1,6 mm (1/16 pulg.) de diámetro se rompen fácilmente cuando se someten a un empuje lateral muy fuerte. Una fresa lo suficientemente grande no tiene peligro de romperse, pero si se intenta un corte demasiado profundo, puede resultar un corte áspero, y podría ser difícil guiar y controlar la fresa como se desea. Se recomienda que no exceda profundidades o anchos de corte mayores de 3,18 mm (1/8 pulg.) en una sola pasada, independientemente del tamaño de la fresa o de la suavidad o estado de la pieza de trabajo.

Para efectuar cortes más profundos, efectúe tantas pasadas sucesivas cuantas sean necesarias, bajando la fresa 3,2 mm (1/8 pulg.) en cada nueva pasada. Con el fin de ahorrar tiempo, realice todos los cortes necesarios a la misma profundidad antes de bajar la fresa para la pasada siguiente. Así se asegura una profundidad uniforme al efectuar la pasada final.

NOTA: No corte más de 3,2 mm (1/8 pulg.) x 3,2 mm (1/8 pulg.) en cada pasada. Una profundidad o un ancho de corte excesivos pueden producir una pérdida de control y posibles lesiones personales serias.

AJUSTES

AJUSTE DE LA TENSIÓN DE LA PALANCA DE FIJACIÓN DE LA FRESADORA CON BASE FIJA

Vea la figura 20, página 18.

Al paso del tiempo y con el uso repetido, puede aflojarse la palanca de fijación. Cuando ocurra tal cosa, apriete levemente la tuerca tope. La tuerca tope elástica debe quedar con la holgura suficiente para que haya algo de juego en la palanca de fijación cuando esté en posición abierta.

NOTA: No apriete excesivamente la tuerca tope. La palanca de fijación debe sujetar ajustadamente para asegurar firmemente el alojamiento del motor.

PRECAUCIÓN:

Asegúrese de que el alojamiento del motor no suba ni baje al fijarse. Si el motor no está firmemente asegurado en la base, los ajustes no son precisos.

ADVERTENCIA:

Siga las instrucciones correctas suministradas por el fabricante de mesas para fresadoras al montar la fresadora en una mesa para fresadora. El empleo de las mesas de fresadoras sin usar las debidas características de seguridad puede causar lesiones serias. Usar tablas de enrutadores que hayan sido clasificadas por UL y consideradas adecuadas para usar con el modelo de enrutador específico.

CENTRADOR

Vea las figuras 21 a 23, páginas 18 y 19.

Se suministra un centrador en caso de necesitarse reemplazar, quitar o cambiar la subbase. El adaptador de portaherramientas de 6,35 mm (1/4 pulg.) debe retirarse antes de que se pueda usar el centrador.

Para desmontar la placa de la base de la fresadora:

- Desenchufe la fresadora y ubíquela boca abajo.
- Retire los tres (3) tornillos de la subbase que se encuentran en la base.
- Retire la subbase de la fresadora.

Para instalar el centrador y la subbase:

- Desenchufe la fresadora y ubíquela boca abajo.
- Desasegure la palanca de fijación y ajuste la perilla de ajuste de profundidad (subiendo o bajando la base). Centre la palanca de interbloqueo de profundidad con la palanca de fijación.
- Coloque la palanca de fijación en la posición “asegurada”.

- Coloque la subbase en la base e introduzca los tornillos de la subbase.
- Apriete levemente los tornillos de manera que pueda moverse libremente la subbase.
- Con la llave suministradas sostenga la tuerca del portaherramientas y mantenga oprimido el seguro del husillo hasta fijarlo en su lugar.
- Afloje la tuerca del portaherramientas, asegúrese de que se haya retirado el adaptador de 6,35 mm (1/4 pulg.) del portaherramientas de 12,7 mm (1/2 pulg.).
- Introduzca el extremo grande de la espiga del centrador dentro del portaherramientas hasta que toque la parte inferior. Jale del centrador hacia arriba hasta que el borde cónico quede a ras con la subbase. Con la llave suministrada, apriete firmemente el portaherramientas.
- Suelte el botón del seguro del husillo.
- Coloque el cono del centrador en el centrador y oprima el cono levemente hacia abajo hasta que se detenga, como se muestra en la figura 20. Esto centrará la subbase.
- Al presionar hacia abajo el cono, apriete los tornillos de la subbase.

Para desmontar el centrador:

- Desconecte la fresadora.
- Con la llave suministradas sostenga la tuerca del portaherramientas y mantenga oprimido el seguro del husillo hasta fijarlo en su lugar.
- Afloje la tuerca del portaherramientas y retire el centrador.
- Suelte el botón del seguro del husillo.

MESA DE ADITAMENTO PARA FRESADORA

Vea la figura 23, página 19.

Al montar la fresadora en una mesa de fresado, retire la subbase y use los tornillos para mesa de aditamento suministrados con aquella herramienta. Con estos tornillos reemplace los de la subbase mostrada en la figura 23.

MONTAJE Y DESMONTAJE DE LE ADITAMENTO DE SUCCIÓN

Vea la figura 24, página 19.

- Desconecte la fresadora.
- Con los tornillos suministrados, coloque el adaptador para aspiradora en la base con las aberturas del adaptador para aspiradora alineadas con los orificios de los tornillos que se encuentran en la parte trasera de la base.
- Introduzca los tornillos del aditamento de succión.
- Para apretarlos gírelos a la derecha.
- Para quitar los tornillos, gírelos a la izquierda.

MANTENIMIENTO

ADVERTENCIA:

Para el servicio de la unidad sólo utilice piezas de repuesto RIDGID idénticas. El empleo de piezas diferentes puede causar un peligro o dañar el producto.

ADVERTENCIA:

Siempre póngase protección ocular con protección lateral con la marca de cumplimiento de la norma ANSI Z87.1. La inobservancia de esta advertencia puede permitir que los objetos lanzados hacia los ojos puedan provocarle lesiones graves.

MANTENIMIENTO GENERAL

Evite el empleo de solventes al limpiar piezas de plástico. La mayoría de los plásticos son susceptibles a diferentes tipos de solventes comerciales y pueden resultar dañados. Utilice paños limpios para eliminar la suciedad, el polvo, el aceite, la grasa, etc.

ADVERTENCIA:

No permita en ningún momento que fluidos para frenos, gasolina, productos a base de petróleo, aceites penetrantes, etc., lleguen a tocar las piezas de plástico. Las sustancias químicas pueden dañar, debilitar o destruir el plástico, lo cual a su vez puede producir lesiones corporales serias.

Las herramientas eléctricas que se utilizan en materiales de fibra de vidrio, paneles de yeso para paredes, compuestos de resanar o yeso, están sujetas a desgaste acelerado y posible fallo prematuro porque las partículas y limaduras de fibra de vidrio son altamente abrasivas para los cojinetes, escobillas, conmutadores, etc. Por consiguiente, no recomendamos el uso de esta herramienta durante períodos prolongados de trabajo en estos tipos de materiales. Sin embargo, si usted trabaja con cualquiera de estos materiales, es sumamente importante limpiar la herramienta con aire comprimido.

LUBRICACIÓN

Todos los cojinetes de esta herramienta están lubricados con suficiente cantidad de aceite de alta calidad para toda la vida útil de la unidad en condiciones normales de funcionamiento. Por lo tanto, no se necesita lubricación adicional.

LIMPIEZA DE LAS FRESAS

Mantenga las fresas limpias y afiladas para obtener resultados de corte más rápidos y exactos. Elimine todas las acumulaciones de resina y goma en las fresas después de cada uso. Al afilar las fresas, únicamente afile únicamente el lado interior del filo de corte. Nunca afile el perímetro exterior. Al afilar el extremo de una fresa asegúrese de esmerilar el ángulo de separación de la misma manera que estaba esmerilado originalmente.

LIMPIEZA DEL PORTAHERRAMIENTAS

Cada cierto tiempo, es necesario limpiar el portaherramientas y la tuerca del mismo. Para hacerlo, sencillamente retire la tuerca del portaherramientas y limpie el aserrín y las virutas que se hayan acumulado. Después vuelva a colocar la tuerca del portaherramientas en su posición original.

ACCESORIOS

Vea la figura 25, página 19.

Busque estos accesorios donde adquirió este producto:

- Conjunto de la guía de cantos*.....Núm. de pieza 300869006
- Juego de plantilla para ensambladura de cola de milano
- Juego de plantilla para bisagras a tope
- Juego de bujes guía para fresadora

* Sólo está disponible a través del departamento de servicio al consumidor. Para pedidos, llame al 1-866-539-1710.

ADVERTENCIA:

Arriba se señalan los aditamentos y accesorios disponibles para usarse con este producto. No utilice ningún aditamento o accesorio no recomendado por el fabricante de este producto. El empleo de aditamentos o accesorios no recomendados podría causar lesiones graves.

GARANTÍA

HERRAMIENTAS ELÉCTRICAS DE MANO Y ESTACIONARIAS RIDGID® GARANTÍA DE SERVICIO LIMITADA DE 3 AÑOS

Debe presentarse prueba de la compra al solicitar servicio al amparo de la garantía.

Se limita a las herramientas de mano y estacionarias RIDGID® adquiridas a partir de 1/feb./04. Este producto está manufacturado por One World Technologies, Inc., La licencia de uso de la marca comercial es otorgada por RIDGID, Inc. Toda comunicación en relación con la garantía debe dirigirse a One World Technologies, Inc., a la atención de: Servicio Técnico de Herramientas Eléctricas de Mano y Estacionarias RIDGID, al (línea gratuita) 1-866-539-1710.

POLÍTICA DE GARANTÍA DE SATISFACCIÓN DE 90 DÍAS

Durante los primeros 90 días a partir de la fecha de compra, si no está satisfecho con el desempeño de esta herramienta de mano o estacionaria RIDGID® por cualquier razón, puede devolverla al establecimiento donde la adquirió, donde se le proporcionará un reembolso total o un intercambio. Para recibir una herramienta de reemplazo, debe presentar documentación de prueba de la compra, y devolver el equipo original empaquetado con el producto original. La herramienta de reemplazo queda cubierta por la garantía limitada por el resto del período de garantía de servicio de 3 AÑOS.

LO QUE ESTÁ CUBIERTO POR LA GARANTÍA DE SERVICIO LIMITADA DE 3 AÑOS

Esta garantía de las herramientas de mano y estacionarias RIDGID® cubre todos los defectos en materiales y mano de obra, así como piezas desgastables como escobillas, portabrocas, motores, interruptores, cordones eléctricos, engranajes e incluso las pilas inalámbricas de esta herramienta RIDGID® por tres años a partir de la fecha de compra de la herramienta. Las garantías de otros productos RIDGID® pueden ser diferentes.

FORMA DE OBTENER SERVICIO

Para obtener servicio para esta herramienta RIDGID®, debe devolverla, ya sea con el flete pagado por anticipado, o llevarla a un centro de servicio autorizado para herramientas eléctricas de mano y estacionarias de la marca RIDGID®. Para obtener información sobre el centro de servicio autorizado más cercano a usted, le suplicamos llamar al (línea gratuita) 1-866-539-1710 o visitar el sitio electrónico de RIDGID® en la red mundial, www.ridgid.com. Al solicitar servicio al amparo de la garantía, debe presentar el recibo fechado de venta. El centro de servicio autorizado reparará toda mano de obra deficiente del producto, y reparará o reemplazará cualquier pieza cubierta en la garantía, a nuestra sola discreción, sin ningún cargo al consumidor.

LO QUE NO ESTÁ CUBIERTO

Esta garantía se ofrece exclusivamente al comprador original al menudeo y no puede transferirse. Esta garantía sólo cubre defectos que surjan en el uso normal de la herramienta y no cubre ningún malfuncionamiento, falla o defecto producido por el uso indebido, maltrato, negligencia, alteración, modificación o reparación efectuada por terceros diferentes de los centros de servicio autorizados para herramientas eléctricas de mano y estacionarias de la marca RIDGID®. No están cubiertos los accesorios suministrados con la herramienta, como las hojas, brocas, papel de lija, etc.

RIDGID, INC. Y ONE WORLD TECHNOLOGIES, INC. NO OFRECEN NINGUNA GARANTÍA, DECLARACIÓN O PROMESA EN RELACIÓN CON LA CALIDAD O EL DESEMPEÑO DE SUS HERRAMIENTAS ELÉCTRICAS MÁS QUE LAS SEÑALADAS ESPECÍFICAMENTE EN ESTA GARANTÍA.

LIMITACIONES ADICIONALES

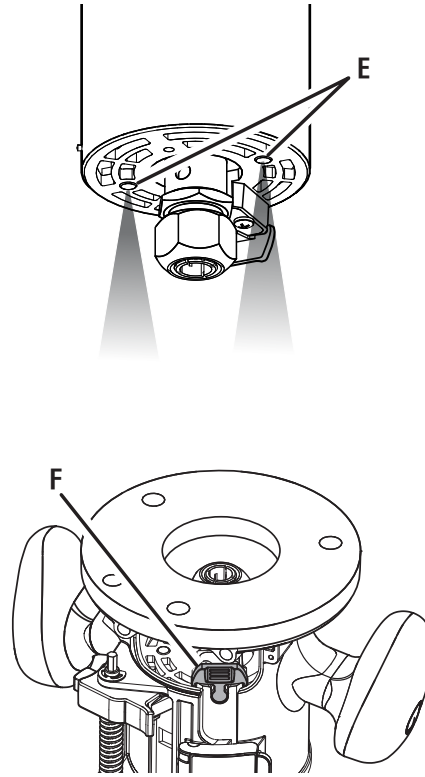
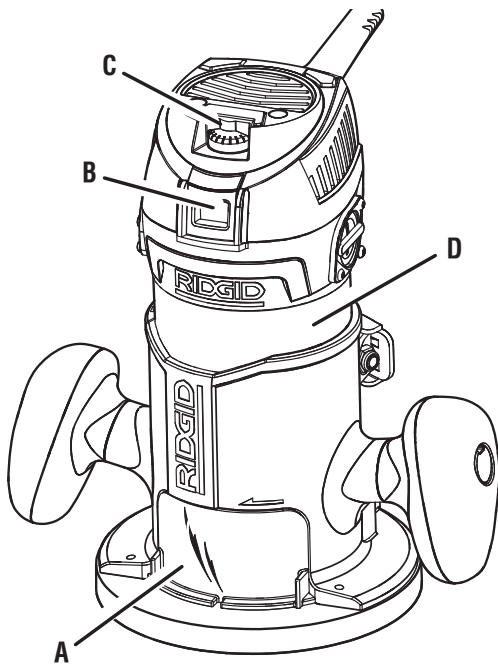
Hasta donde lo permiten las leyes relevantes, se desconoce toda garantía implícita, incluidas las garantías de comerciabilidad o idoneidad para un uso en particular. Toda garantía implícita, incluidas las garantías de comerciabilidad o idoneidad para un uso en particular, que no pueda desconocerse según las leyes estatales, está limitada a tres años a partir de la fecha de compra. One World Technologies, Inc. y RIDGID, Inc. no son responsables de daños directos, indirectos, incidentales o consecuentes. Algunos estados no permiten limitaciones en cuanto al período de vigencia de una garantía implícita y/o no permiten exclusiones o limitaciones de daños incidentales o consecuentes, por lo tanto es posible que esta limitación no se aplique en el caso de usted. Esta garantía le confiere derechos legales específicos, y es posible que usted goce de otros derechos, los cuales pueden variar de estado a estado.

One World Technologies, Inc.

P.O Box 35 Highway 8

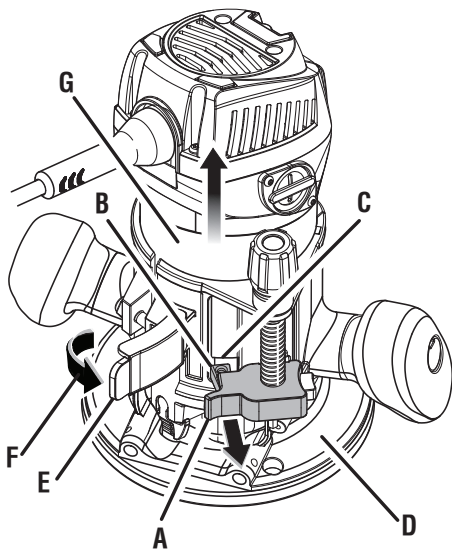
Pickens, SC 29671, USA

Fig. 1



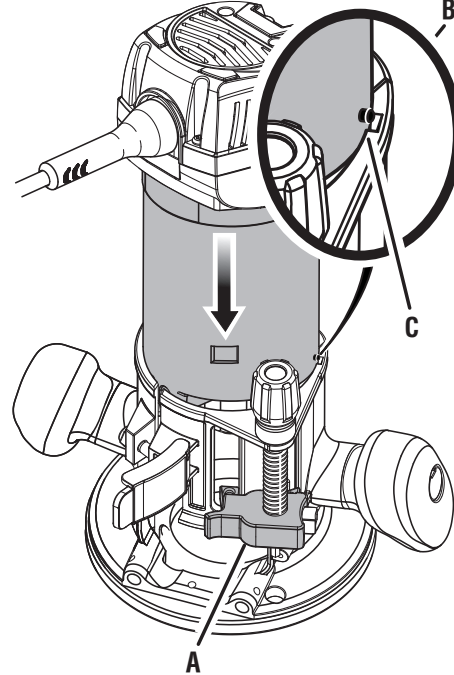
- A - Chip shield (pare-copeaux, protector contra virutas)
- B - Slide switch, (commutateur à glissière, interruptor deslizando)
- C - Variable speed dial (commande de vitesse variable, selector giratorio de velocidad)
- D - Motor in fixed base (moteur sur base fixe, motor en la base fija)
- E - LED worklights (lampes à DEL, luces de trabajo de diodo luminiscente)
- F - Spindle lock (blocage de la broche, bloqueo del husillo)
- G - Vacuum adaptor (l'adaptateur d'aspiration, aditamento de succión)
- H - Centering tool (outil de centrage, centrador)

Fig. 2



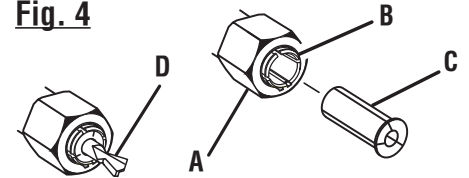
- A - Depth interlock lever (levier de verrouillage de la profondeur, palanca corta corriente de profundidad)
- B - Locking tab (ergot de verrouillage, lengüeta de fijación)
- C - Slot in motor housing (fente de la boîte du moteur, ranura de la alojamiento del motor)
- D - Fixed base (base fixe, base fija)
- E - Lock lever (levier de verrouillage, palanca de fijación)
- F - To unlock (pour déverrouiller, para desasegurar)
- G - Motor housing (boîtier du moteur, alojamiento del motor)

Fig. 3



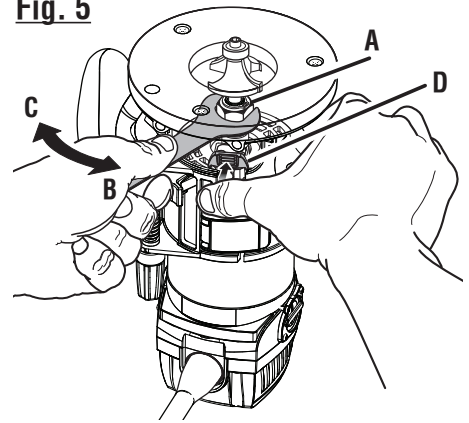
- A - Depth interlock lever (levier de verrouillage de la profondeur, palanca corta corriente de profundidad)
- B - Pin (goupille, pasador)
- C - Slot in base (fente de la base, ranura de la base)

Fig. 4



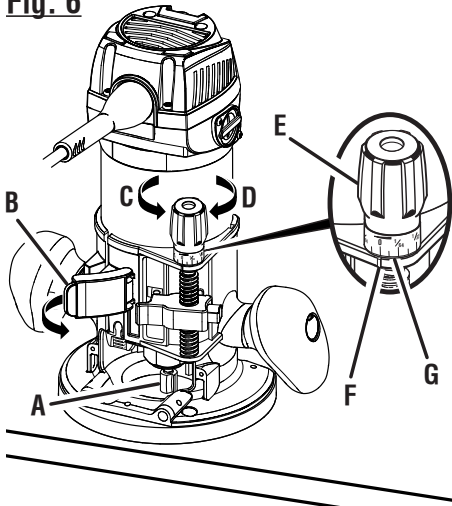
- A - Collet nut (écrou du collet, tuerca del portaherramientas)
- B - Collet (collet, portaherramientas)
- C - 1/4 in. collet adaptor (adaptateur de collet de 1/4 po, adaptador del portaherramientas de 1/4 pulg.)
- D - Bit with 1/4 in. shank diameter [embout avec tige d'un diamètre de 6,35 mm (1/4 po), broca con diámetro de fuste de 6,35 mm (1/4 pulg.)]

Fig. 5



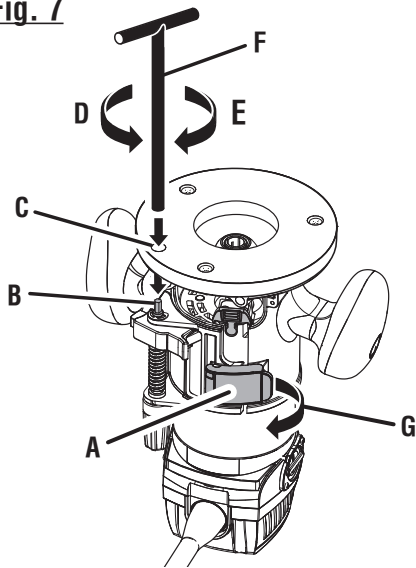
- A - Collet nut (écrou de collet, tuerca del portaherramientas)
- B - To loosen (pour desserrer, para aflojar)
- C - To tighten (pour serrer, para apretar)
- D - Spindle lock (verrouillage de broche, seguro del husillo)

Fig. 6



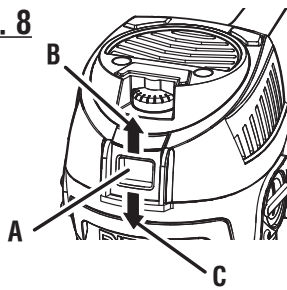
- A - Bit (embout, fresa)
- B - Lock lever (levier de verrouillage, palanca de fijación)
- C - To increase depth of cut (pour augmenter la profondeur de coupe, para aumentar la profundidad de corte)
- D - To decrease depth of cut (pour réduire la profondeur de coupe, para disminuir la profundidad de corte)
- E - Depth adjustment knob (bouton de réglage de profondeur, perilla de ajuste de profundidad)
- F - Indicator point (indicateur, indicador)
- G - Scale (échelle, escala)

Fig. 7



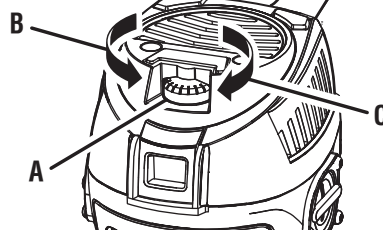
- A - Lock lever (levier de verrouillage, palanca de fijación)
- B - Adjusting nut (écrou de réglage, tuerca de ajuste)
- C - Hole in subbase (trou de la semelle, agujero de la subbase)
- D - To decrease depth of cut (pour réduire la profondeur de coupe, para disminuir la profundidad de corte)
- E - To increase depth of cut (pour augmenter la profondeur de coupe, para aumentar la profundidad de corte)
- F - T-handle wrench (clé en « T », llave de mango en «T»)
- G - To loosen (pour desserrer, para aflojar)

Fig. 8



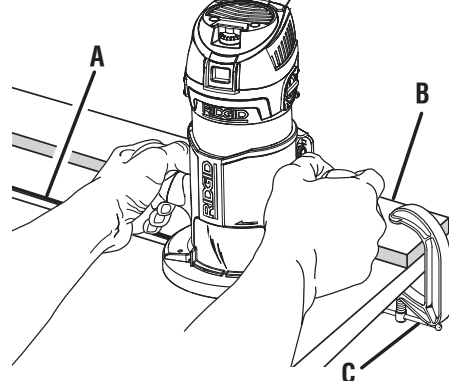
- A - Slide switch (commutateur à glissière, interruptor deslizando)
- B - On (marche, encendido)
- C - Off (arrêt, apagado)

Fig. 9



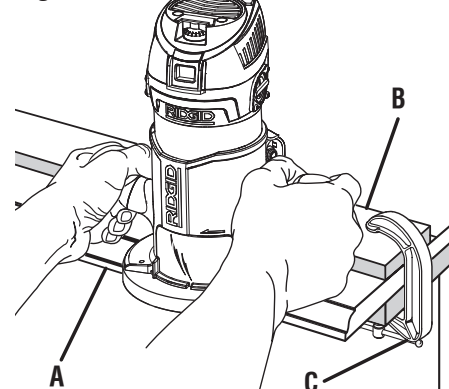
- A - Variable speed dial (vitesse variable, selector giratorio de velocidad)
- B - To decrease speed (pour réduire la vitesse, para disminuir la velocidad)
- C - To increase speed (pour augmenter la vitesse, para aumentar la velocidad)

Fig. 10



- A - Workpiece (pièce, pieza de trabajo)
- B - Straight edge (règle, pieza recta)
- C - Clamp (serre-joint, prensa)

Fig. 11



- A - Workpiece (pièce, pieza de trabajo)
- B - Straight edge (règle, pieza recta)
- C - Clamp (serre-joint, prensa)

Fig. 12

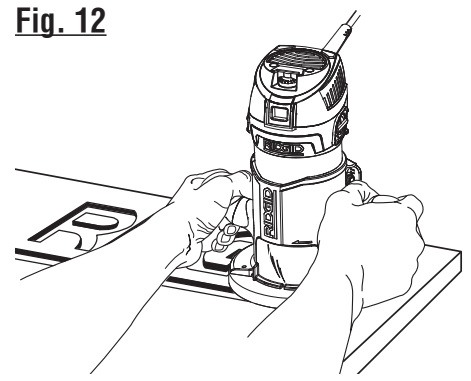
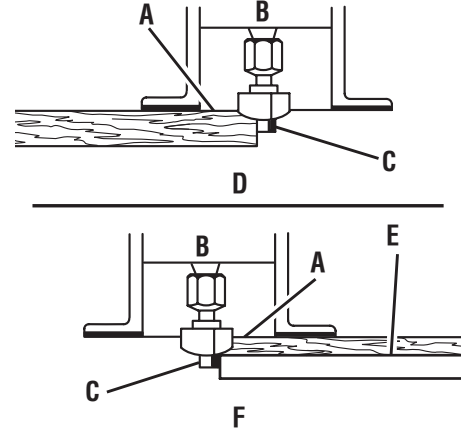


Fig. 13



- A - Workpiece (travail, pieza de trabajo)
- B - Router (toupie, fresadora)
- C - Pilot (pilote, vástago guía)
- D - Top Edge Shaping (profilage de bord supérieur, fresado de la parte superior del canto)
- E - Guide (guide, guía)
- F - Whole Edge Shaping (profilage de bord complet, fresado del canto completo)

Fig. 14

**PROPER CUTTING SEQUENCE
SÉQUENCE DE COUPE CORRECTE
SECUENCIA CORRECTA DE CORTE**

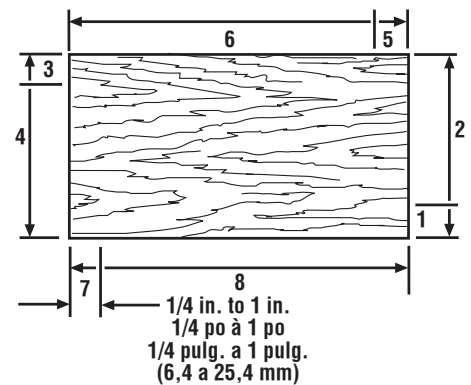
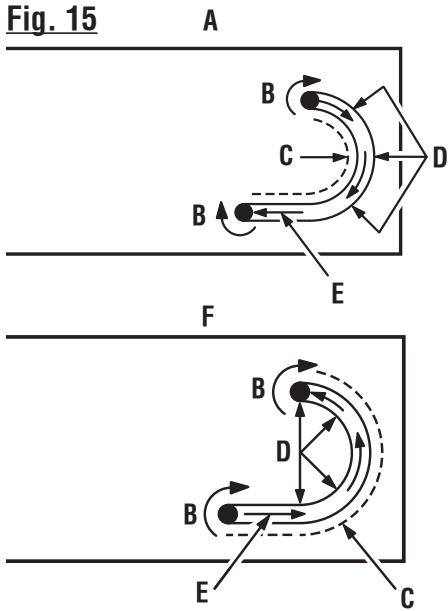


Fig. 15



- A - Guide inside (guide à l'intérieur, guía en el interior)
- B - Rotation (rotation, giro)
- C - Guide (guide, guía)
- D - Thrust (poussée, empuje)
- E - Feed (engagement, avance)
- F - Guide outside (guide à l'extérieur, guía en el exterior)

Fig. 16

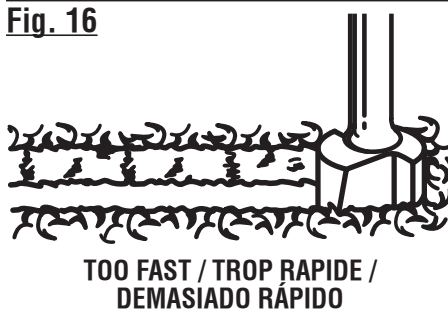
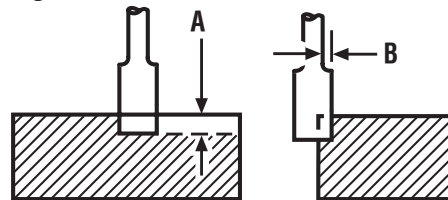


Fig. 17

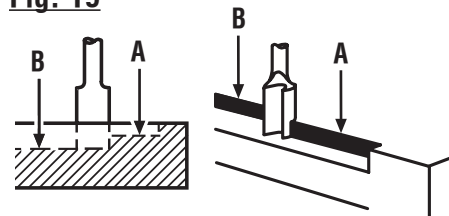


Fig. 18



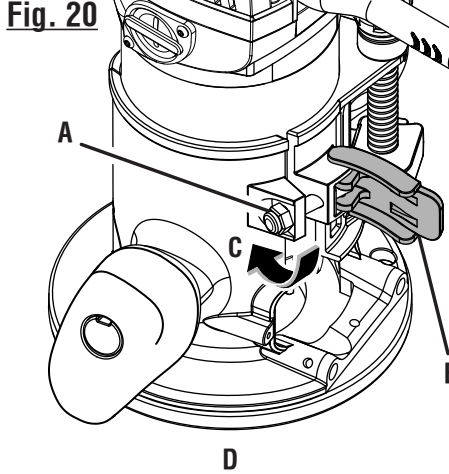
- A - Depth of cut (profondeur de coupe, la profundidad de corte)
- B - Width of cut (largeur de coupe, ancho de corte)

Fig. 19



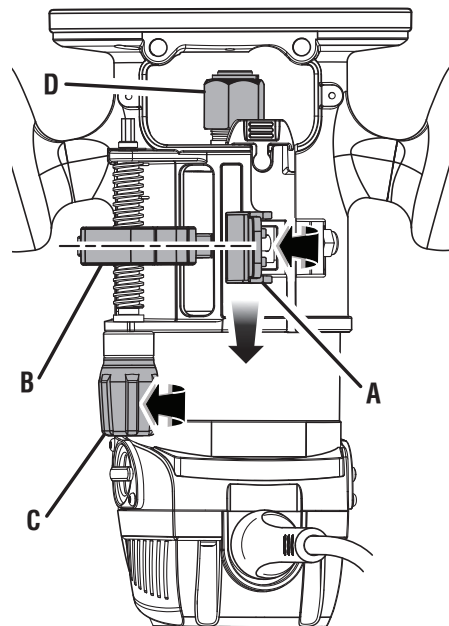
- A - 1st pass (1ère passe, primera pasada)
- B - 2nd pass (2ème passe, segunda pasada)

Fig. 20



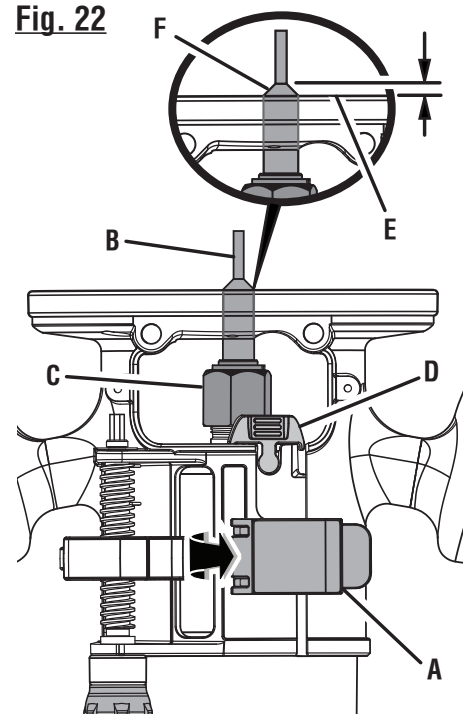
- A - Stop nut (écrou de blocage, tuerca tope)
- B - Lock lever (levier de verrouillage, palanca de fijación)
- C - To tighten (pour serrer, para apretar)
- D - Rear view (vue de derrière, vista posterior)

Fig. 21



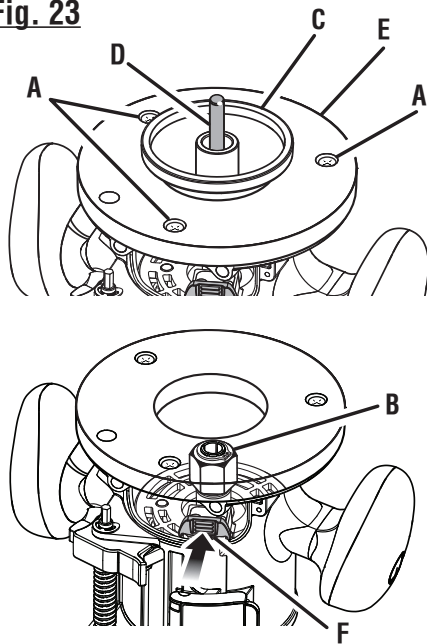
- A - Lock lever (levier de verrouillage, palanca de fijación)
- B - Depth interlock lever (levier de verrouillage de la profondeur, palanca corta corriente de profundidad)
- C - Depth adjustment knob (bouton de réglage de profondeur, perilla de ajuste de profundidad)
- D - Collet nut (écrou de collet, tuerca del portaherramientas)

Fig. 22



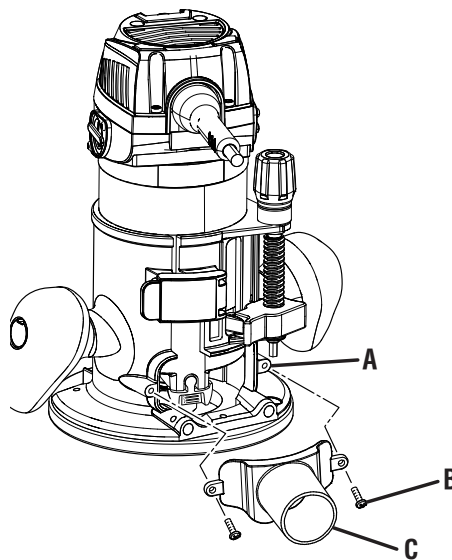
- A - Depth interlock lever (levier de verrouillage de la profondeur, palanca corta corriente de profundidad)
- B - Centering tool (outil de centrage, centrador)
- C - Collet nut (écrou de collet, tuerca del portaherramientas)
- D - Spindle lock (verrouillage de broche, seguro del husillo)
- E - Subbase (semelle, subbase)
- F - Chamfer edge (rebord du chanfrein, borde del chaflán)

Fig. 23



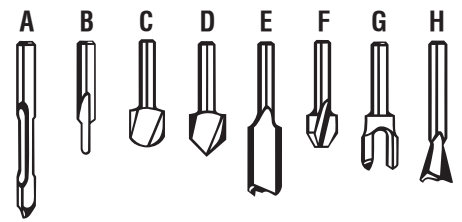
- A - Subbase screws (vis de la semelle, tornillo de la subbase)
 - B - Collet nut (écrou de collet, tuerca del portaherramientas)
 - C - Cone (cône, cono)
 - D - Centering tool (outil de centrage, centrador)
 - E - Subbase (semelle, subbase)
 - F - Spindle lock (verrouillage de broche, seguro del husillo)
-

Fig. 24



- A - Screw holes (ceux de l'arrière de la base, aberturas de tornillo)
 - B - Vacuum adaptor screws (vis de l'adaptateur, tornillos del aditamento de succión)
 - C - Vacuum adaptor (l'adaptateur d'aspiration, aditamento de succión)
-

Fig. 25



- A - Combination panel bit (fer à panneau combiné, fresa combinada para paneles)
 - B - Veining bit (fer à nervurer, fresa de acanalar)
 - C - Core box bit (fer à carotter, fresa de caja de macho)
 - D - V-groove chamfer (chanfrein rainure en V, chaflán ranura en "V")
 - E - Straight face bit (fer à rogner droit, fresa de cara recta)
 - F - Combination straight/bevel bit (fer combiné droit/biseau, fresa combinada recta y de bisel)
 - G - Hinge mortising bit (fer à mortaise de charnière, fresa para mortajas de bisagras)
 - H - Dovetail bit (fers à queue d'aronde, fresas de cola de milano)
-

