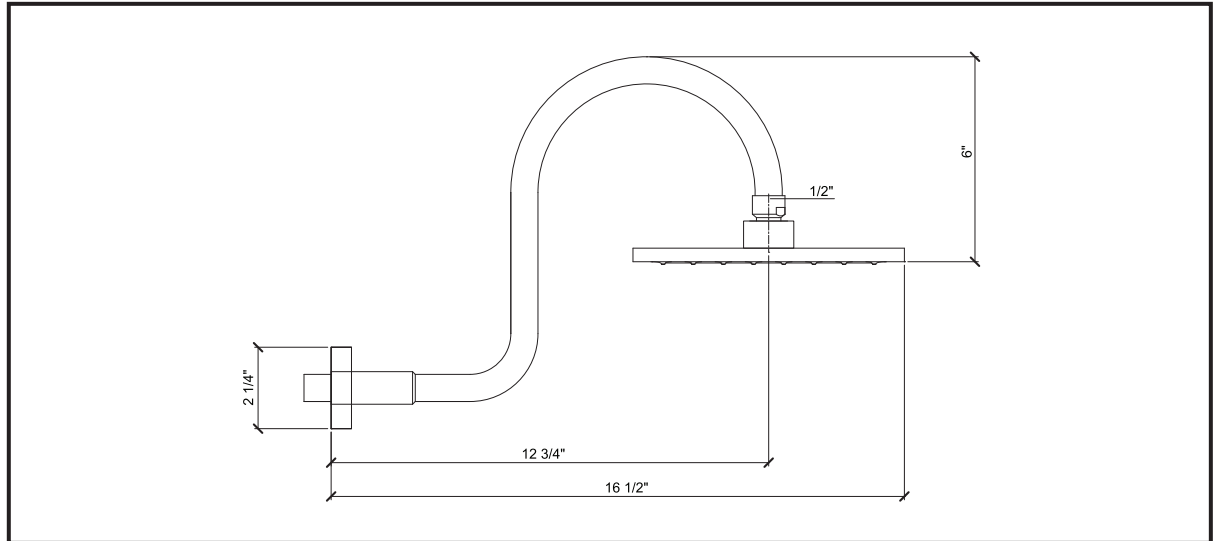


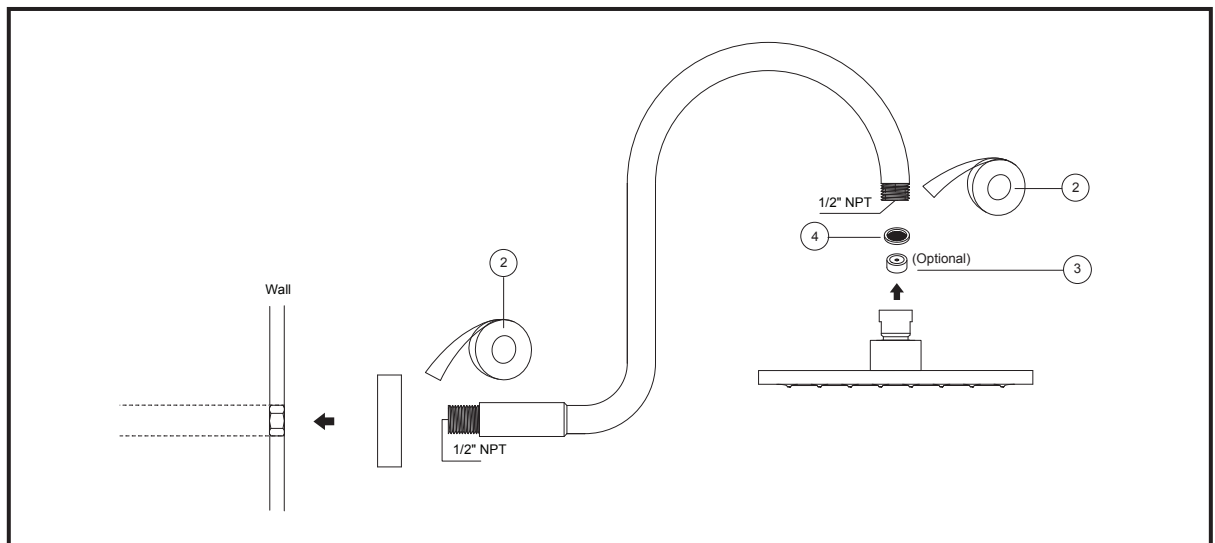
AC42SH05-SN :

8" SQUARE Rainshower Head with Gooseneck "S" Shower Arm
- Satin Nickel

Dimension



Installation



Installation Instruction:

1. Remove Old Shower Head.
2. Apply included Plumber's Tape to Shower Arm.
3. (Optional) Insert Water Saver into Shower Head Fitting. May Result in Reduced Water Flow.
4. Attach New Shower Head to Shower Arm. Make sure to include rubber washer in Shower Head fitting.