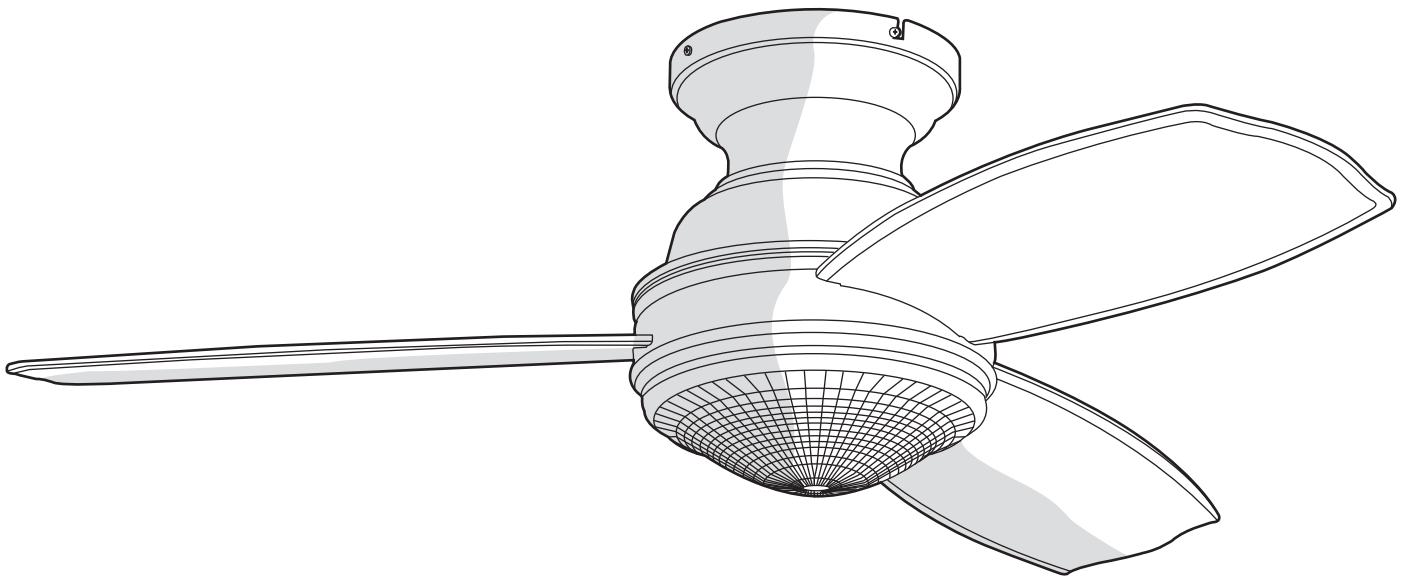




Item #184-595
Model #14412

USE AND CARE GUIDE

SOVANA 44 INCH CEILING FAN



Questions, problems, missing parts? Before returning to the store
call Hampton Bay Customer Service
8 a.m. - 6 p.m., EST, Monday-Friday

1-800-527-0998

HAMPTONBAY.COM



THANK YOU

We appreciate the trust and confidence you have placed in Hampton Bay through the purchase of this ceiling fan. We strive to continually create quality products designed to enhance your home. Visit us online to see our full line of products available for your home improvement needs. Thank you for choosing Hampton Bay!

Table of Contents

Table of Contents	2	Operation	15
Safety Information	3	Remote Control Operating Instructions	15
Warranty	4	Installing the Remote Control Holder	15
		Reverse Switch Operating Instructions	16
Pre-installation	4	Care and Cleaning	16
Specifications	4	Troubleshooting	17
Tools Required	4	Service Parts	18
Hardware Included	5		
Package Contents	6		
Installation	7		
Assembly	8		
Hanging the Fan	8		
Setting up the Remote Control	9		
Making the Electrical Connections	10		
Finishing the Fan Motor Installation	11		
Attaching the Fan Blades	12		
Installing the Light Kit	13		

Safety Information

- Read and save these instructions.
- To reduce the risk of electric shock, ensure electricity has been turned off at the circuit breaker or fuse box before beginning.
- All wiring must be in accordance with the National Electrical Code “ANSI/NFPA 70-1999” and local electrical codes. Electrical installation should be performed by a qualified licensed electrician.
- The outlet box and support structure must be securely mounted and capable of reliably supporting a minimum of 35 lbs. Use only UL-listed outlet boxes marked “FOR FAN SUPPORT.”
- The fan must be mounted with a minimum of 7 ft. clearance from the trailing edge of the blades to the floor.
- Avoid placing objects in the path of the blades.
- To avoid personal injury or damage to the fan and other items, be cautious when working around or cleaning the fan.
- Do not use water or detergents when cleaning the fan or fan blades. A dry dust cloth or lightly dampened cloth will be suitable for most cleaning.
- After making electrical connections, spliced conductors should be turned upward and pushed carefully up into the outlet box. The wires should be spread apart with the grounded conductor and the equipment-grounding conductor on one side of the outlet box and ungrounded conductor on the other side of the outlet box.
- All setscrews must be checked and retightened where necessary before installation.



WARNING: To reduce the risk of fire or electronic shock, this fan must only use a UC7067RC solid-state speed control with a UC9050T wall control.



WARNING: To reduce the risk of personal injury, do not bend the blade arms (also referred to as flanges) when installing the brackets, balancing the blades, or cleaning the fan.



WARNING: Do not insert foreign objects between rotating fan blades.



WARNING: To reduce the risk of fire, electric shock, or personal injury, mount the fan to the outlet box marked acceptable for fan support using the screws provided with the outlet box.

Warranty

We warrant the fan motor to be free from defects in workmanship and material present at time of shipment from the factory for a period of lifetime after the date of purchase by the original purchaser. We also warrant all other fan parts, excluding any glass or acrylic blades, to be free from defects in workmanship and material at the time of shipment from the factory for a period of one year after the date of purchase by the original purchaser. We agree to correct such defects without charge or at our option replace with a comparable or superior model if the product is returned. To obtain warranty service, you must present a copy of the receipt as proof of purchase. All costs of removing and reinstalling the product are your responsibility. Damage to any part such as by accident, misuse, improper installation or by affixing any accessories, is not covered by this warranty. Because of varying climatic conditions, this warranty does not cover any changes in brass finish, including rusting, pitting, corroding, tarnishing, or peeling. Brass finishes of this type give their longest useful life when protected from varying weather conditions. A certain amount of "wobble" is normal and should not be considered a defect. Servicing performed by unauthorized persons shall render the warranty invalid. There is no other express warranty. We hereby disclaim any and all warranties, including but not limited to those of merchantability and fitness for a particular purpose to the extent permitted by law. The duration of any implied warranty which cannot be disclaimed is limited to the time period as specified in the express warranty. Some states do not allow limitation on how long an implied warranty lasts, so the above limitation may not apply to you. The retailer shall not be liable for incidental, consequential, or special damages arising out of or in connection with product use or performance except as may otherwise be accorded by law. Some states do not allow the exclusion of incidental or consequential damages, so the above exclusion or limitation may not apply to you. This warranty gives specific legal rights, and you may also have other rights which vary from state to state. This warranty supersedes all prior warranties. Shipping costs for any return of product as part of a claim on the warranty must be paid by the customer.

Contact the Customer Service Team at 1-800-527-0998 or visit www.hamptonbay.com.

Pre-Installation

SPECIFICATIONS

Fan size	Speed	Volts	Amps	Watts	RPM	CFM	N.W.	G.W.	C.F.
44 in.	Low	120	0.26	9.9	82	1322.14	8.05 kgs (17.71 lbs)	9.11 kgs (20.04 lbs)	1.834 ft.
	Medium		0.38	27.9	162	2591.99			
	High		0.40	48.3	226	3851.73			



NOTE: These are approximate measures. They do not include amps and wattage used by the light kit.

TOOLS REQUIRED

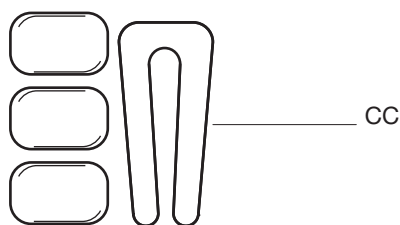
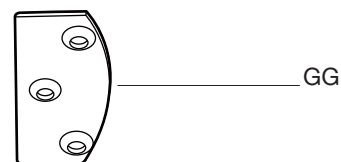


Pre-Installation (continued)

HARDWARE INCLUDED



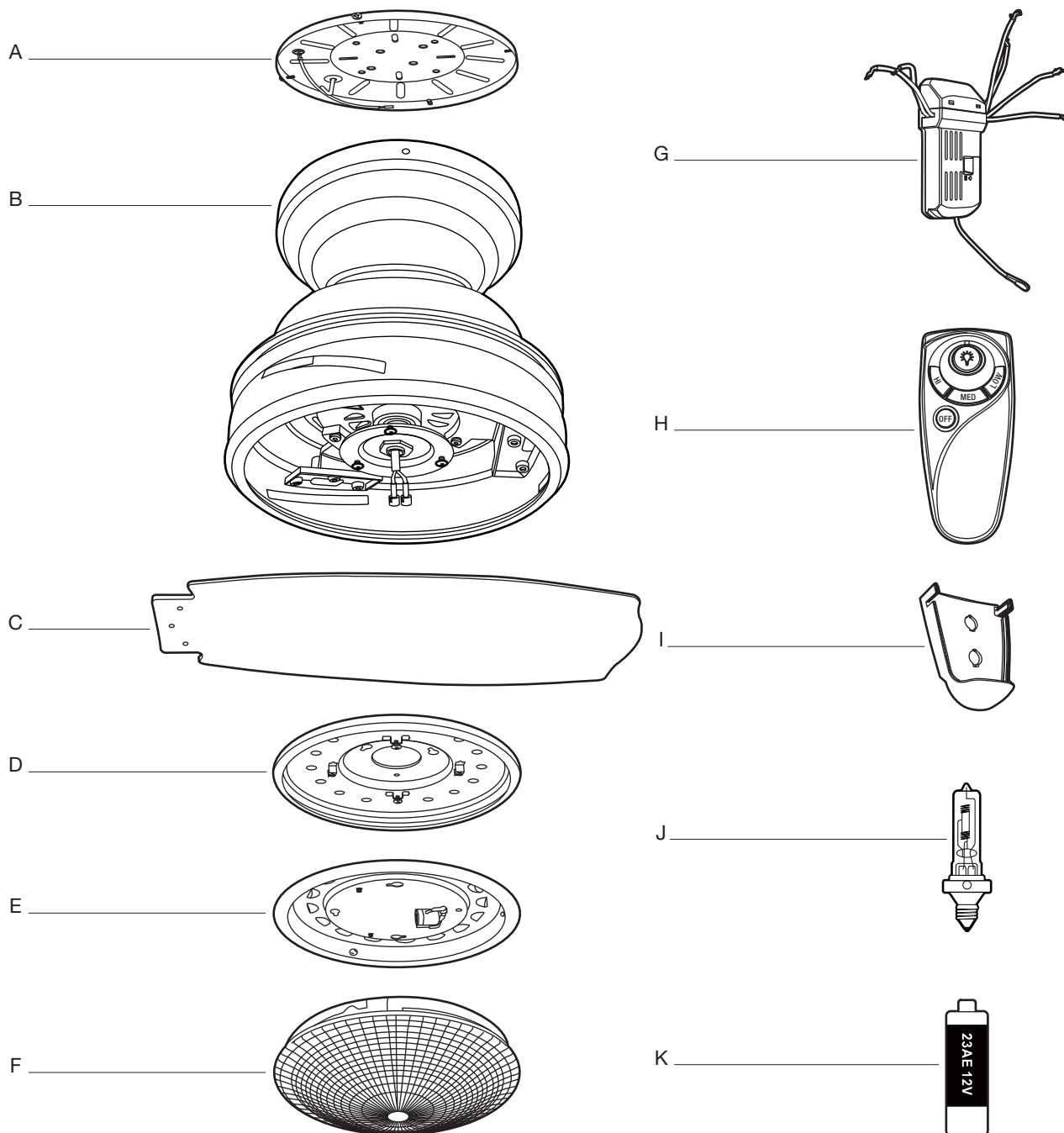
NOTE: Hardware shown to actual size unless noted otherwise in the table below.



Part	Description	Quantity
AA	Blade attachment hardware (3/16 in. x 17mm screws and lock washer)	10
BB	Plastic wire nut	3
CC	Balance kit (not to scale)	1
DD	Mounting bracket screws (preassembled) (3/16 in. x 1/2 in. screws and lock washer)	4
EE	Remote control holder mounting screws	2
FF	Remote control holder plugs (preassembled)	2
GG	Blade support plates (not to scale)	3
HH	Mounting ring screws (preassembled) (5/32 in. x 8mm screws)	3
II	Light kit plate screws (preassembled) (5/32 in. x 8mm screws)	4

Pre-Installation (continued)

PACKAGE CONTENTS



Part	Description	Quantity
A	Mounting bracket	1
B	Fan motor assembly	1
C	Blades	3
D	Light kit mounting plate	1
E	Light kit plate	1
F	Glass shade	1

Part	Description	Quantity
G	Receiver	1
H	Remote control	1
I	Remote control holder	1
J	100W halogen bulb	1
K	12V MN21/A23 battery	1

Installation

MOUNTING OPTIONS

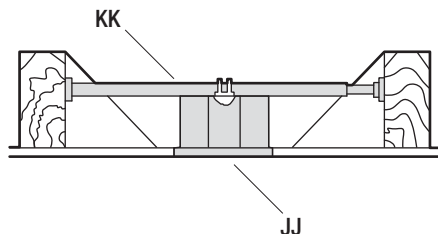
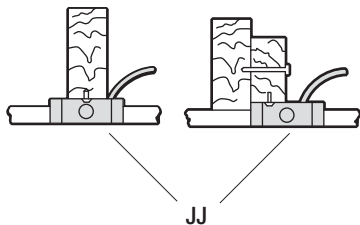
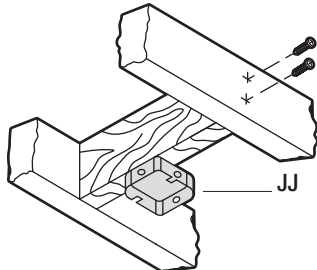


WARNING: To reduce the risk of fire, electric shock, or personal injury, mount the fan to an outlet box marked acceptable for fan support using the screws provided with the outlet box. An outlet box commonly used for the support of lighting fixtures may not be acceptable for fan support and may need to be replaced. If in doubt, consult a qualified electrician.

If your ceiling fan does not have an existing UL-listed mounting box, then install one using the following instructions:

- Disconnect the power by removing the fuses or turning off the circuit breakers.
- Secure the ceiling outlet box (JJ) (not included) directly to the building structure. Use appropriate fasteners and materials (not included). The outlet box and its bracing must be able to fully support the weight of the moving fan (at least 35 lbs.). Do not use a plastic outlet box.

The illustrations below show two different ways to mount the outlet box (JJ) (not included).



To hang your fan where there is an existing fixture but no ceiling joist, you may need an installation hanger bar (KK) (not included) as shown above.

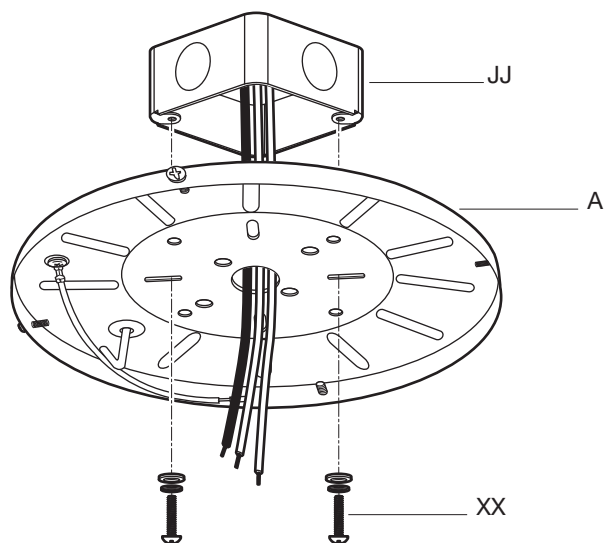
Assembly – Hanging the Fan

1 Attaching the mounting bracket to the electrical box



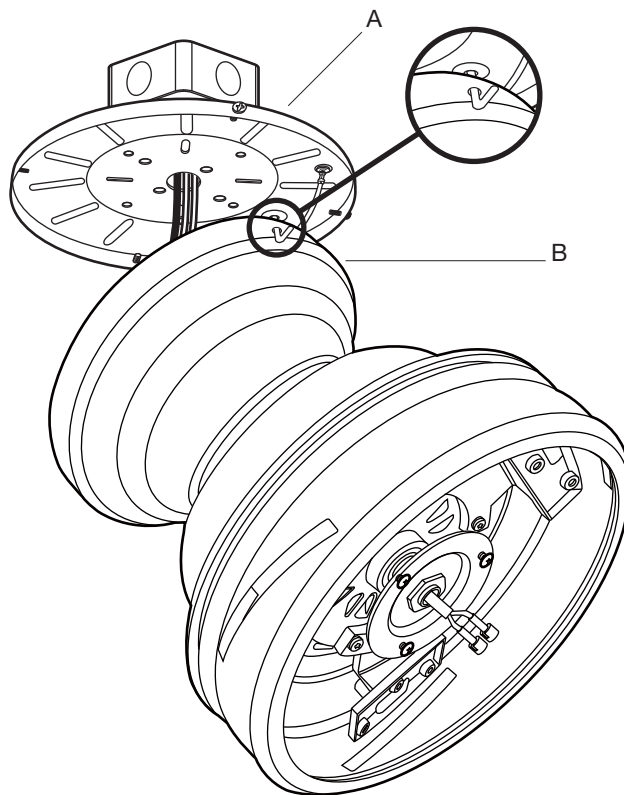
WARNING: To reduce the risk of fire, electric shock or other personal injury, mount the fan only to an outlet box or supporting system marked acceptable for fan support and use the mounting screws provided with the outlet box.

- Attach the mounting bracket (A) to the outlet box (JJ) (not included) with the two screws and washers (XX) provided with the outlet box (JJ). Ensure the mounting bracket (A) is tight and secured.



2 Hanging the fan motor assembly from the mounting plate

- Lift the fan into position by hanging the fan motor assembly (B) onto the hook from the ceiling mounting bracket (A) allowing it to hang freely.



Assembly — Setting up the Remote Control

3 Preparing the receiver and remote control



WARNING: To avoid possible electrical shock, ensure electricity is turned off at the main fuse box before wiring.



CAUTION: The frequency switches on the receiving unit are covered with a rubber cover. Remove the rubber cover, and then replace it after making any changes to the frequency switches.

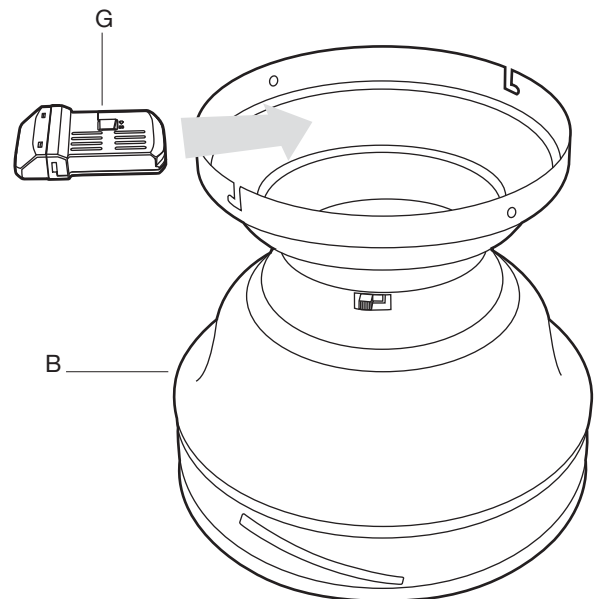
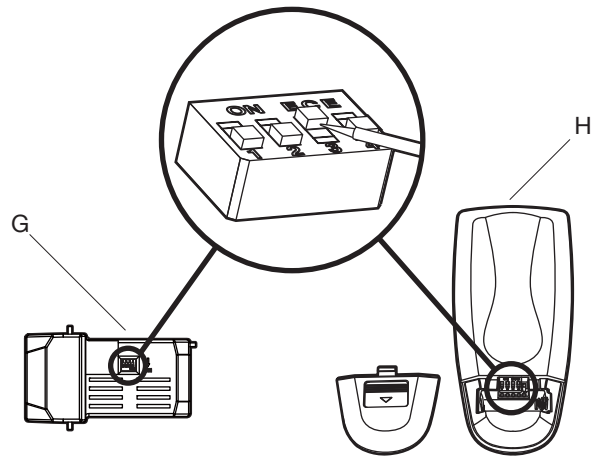


CAUTION: Do not use this fan with a wall light dimmer switch.

If you feel you do not have enough electrical wiring knowledge or experience, have your fan installed by a licensed electrician.

This remote control unit is equipped with 16 code combinations to prevent possible interference from or to other remote units. The frequency switches on your receiver (G) and remote control (H) have been preset at the factory. Please recheck to make sure the switches on the remote control (H) and the receiver (G) are set to the same position. Any combination of settings will operate the fan as long as the remote control (H) and receiver (G) are set to the same position.

- Insert the receiver (G) into the fan motor assembly (B) with the flat side of the receiver (G) facing the ceiling.



Assembly — Making the Electrical Connections

4 Making the electrical connections



WARNING: To avoid possible electrical shock, ensure electricity is turned off at the main fuse box before wiring.



WARNING: Check to see that all connections are tight, including ground, and that no bare wire is visible at the wire nuts, except for the ground wire.



CAUTION: Do not use with a wall light dimmer switch.



NOTE: The fan must be installed at a maximum distance of 20 feet from the remote control for proper signal transmission between the remote control and the fan's receiving unit.

Follow the steps below to connect the fan to your household wiring. Use the plastic wire nuts (BB) with your fan. Secure the wire nuts with electrical tape. Ensure there are no loose strands or connections.

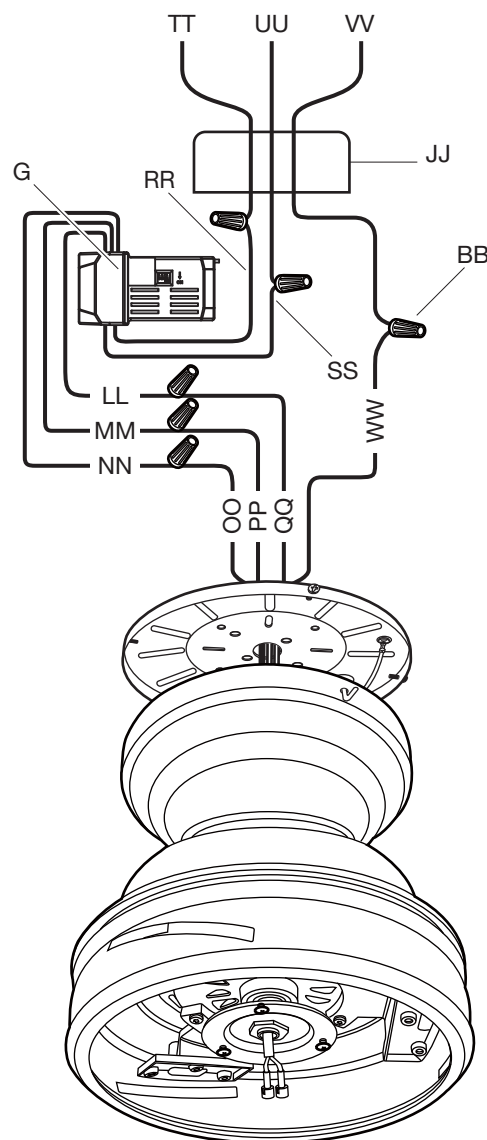
Motor to receiver electrical connections:

- Connect the black wire (QQ) from the fan to black wire (LL) marked "TO MOTOR L" from the receiver (G).
- Connect the white wire (OO) from the fan to the white wire (NN) marked "TO MOTOR N" from the receiver (G).
- Connect the blue wire (PP) from the fan to the blue wire (MM) marked "For Light" from the receiver (G).

Receiver to house supply wires electrical connections:

- Connect the black (hot) wire (TT) from the ceiling to the black wire (RR) marked "AC in L" from the receiver (G).
- Connect the white (neutral) wire (UU) from the ceiling to the white wire (SS) marked "AC in N" from the receiver (G).

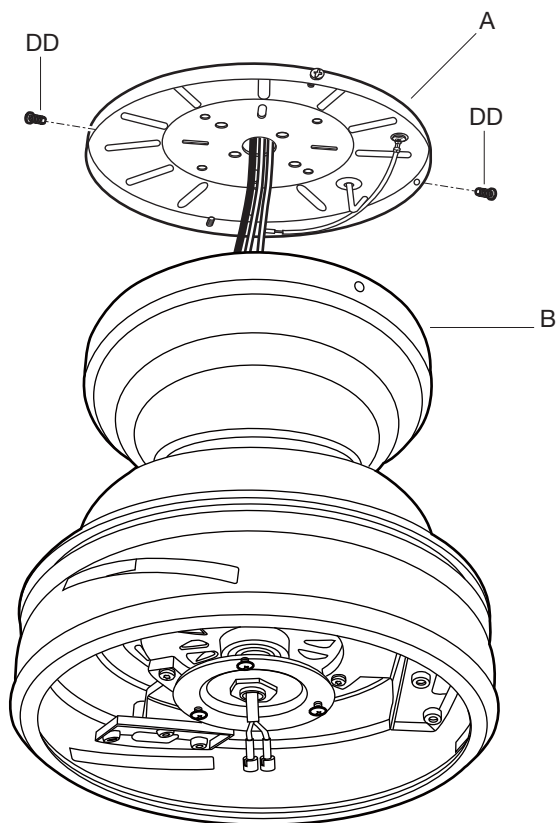
- If your outlet box (JJ) has a ground wire (VV) (green or bare copper), connect it to the fan ground wires (WW); otherwise, connect the hanging ball ground wire to the mounting bracket (A).
- Secure the wire connection with a plastic wire nut (BB) provided.
- After connecting the wires, spread them apart so that the green and white wires are on one side of the outlet box (JJ) and black and blue wires are on the other side. Carefully tuck the wire connections up into the outlet box (JJ).



Assembly — Finishing the Fan Motor Installation

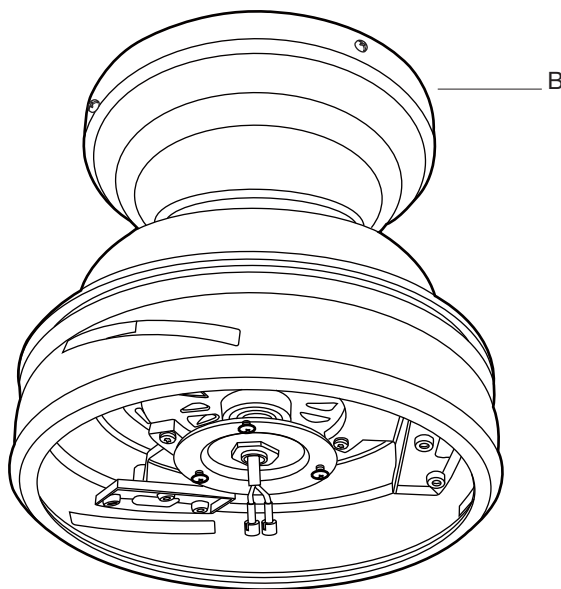
5 Attaching the fan motor assembly to the mounting bracket

- Loosen two of the four mounting bracket screws (DD) from the mounting bracket (A), and remove the other two screws (DD).
- Remove the fan motor assembly (B) from the mounting bracket (A) hook, and engage the key holes with the two mounting bracket screws (DD) previously loosened.



6 Tightening the screws

- Install the two mounting bracket screws (DD) previously removed, and tighten all four mounting bracket screws (DD).



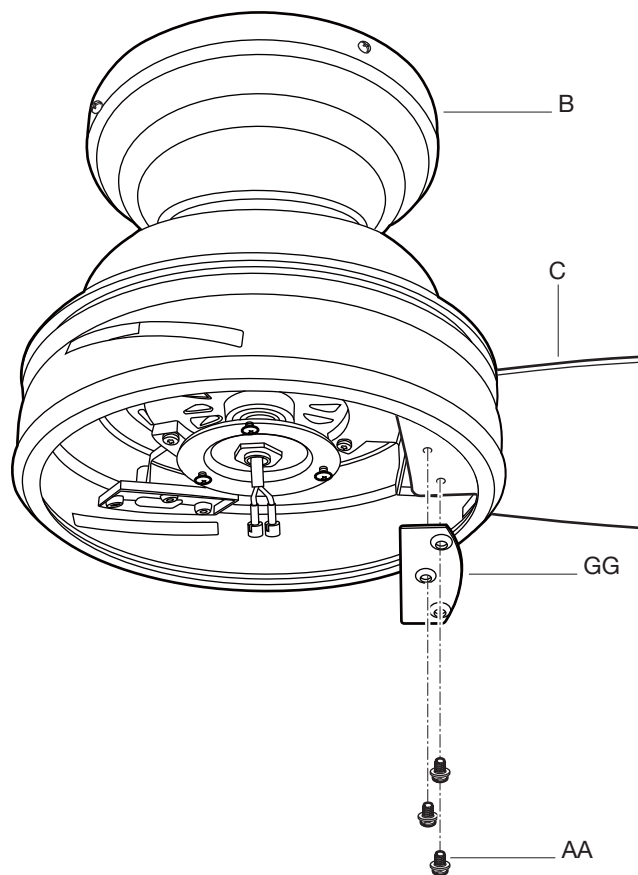
Assembly — Attaching the Fan Blades

7 Fastening the blade assemblies to the motor



WARNING: To reduce the risk of personal injury, do not bend the blade arms while installing, balancing the blades (C), or cleaning the fan. Do not insert foreign objects between rotating fan blades (C).

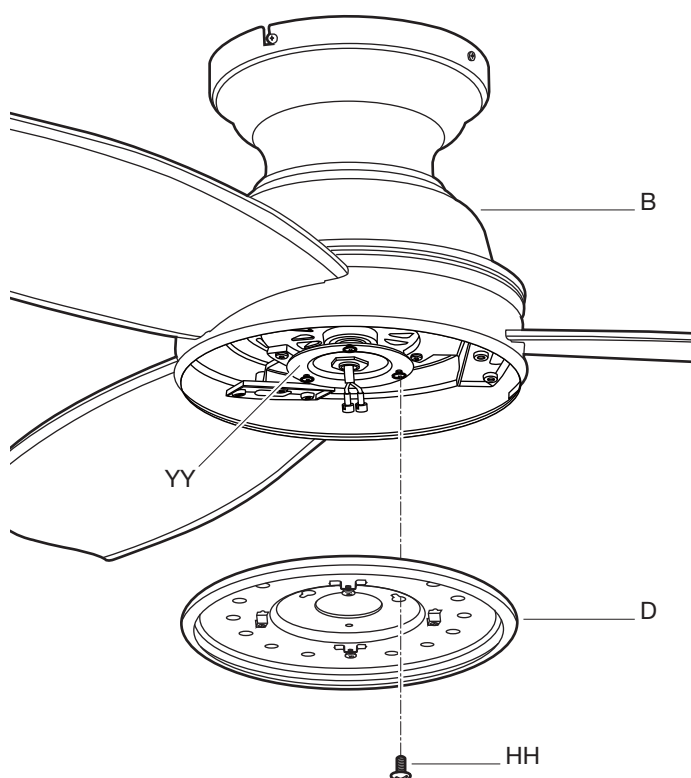
- Insert a blade (C) through one of the slots in the bottom band.
- Align the holes in the blade with the three holes in a blade support plate (GG). The raised holes in the blade support plate (GG) should face down.
- Repeat this process to attach the other blades (C).



Assembly – Installing the Light Kit

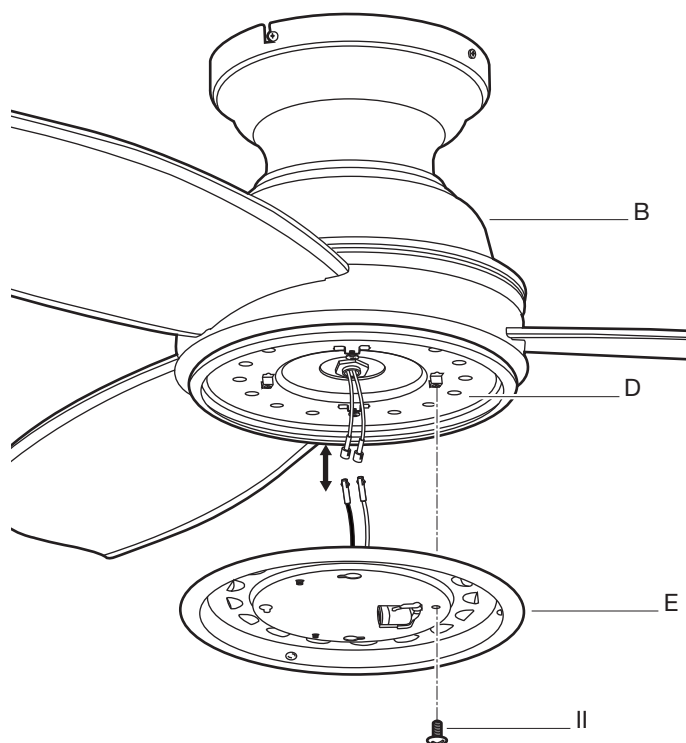
8 Attaching the light kit mounting plate to the mounting ring

- Remove one of three mounting ring screws (HH) from the mounting ring (YY) and loosen the other two screws. (Do not remove)
- Place the key holes in the light kit mounting plate (D) over the two screws (HH) previously loosened from the mounting ring (YY), turn the light kit mounting plate (D) until it locks in place at the narrow section of the key holes.
- Secure by tightening the two mounting ring screws (HH) previously loosened and the one (HH) previously removed.



9 Attaching the light kit plate to the mounting plate

- While holding the light kit plate (E) under your fan (B), make the polarized plug connections:
 - White to white
 - Black to black
- Install the light kit plate (E) onto the light kit mounting plate (D) with four light plate screws (II) provided. Be sure to tighten all screws (II).



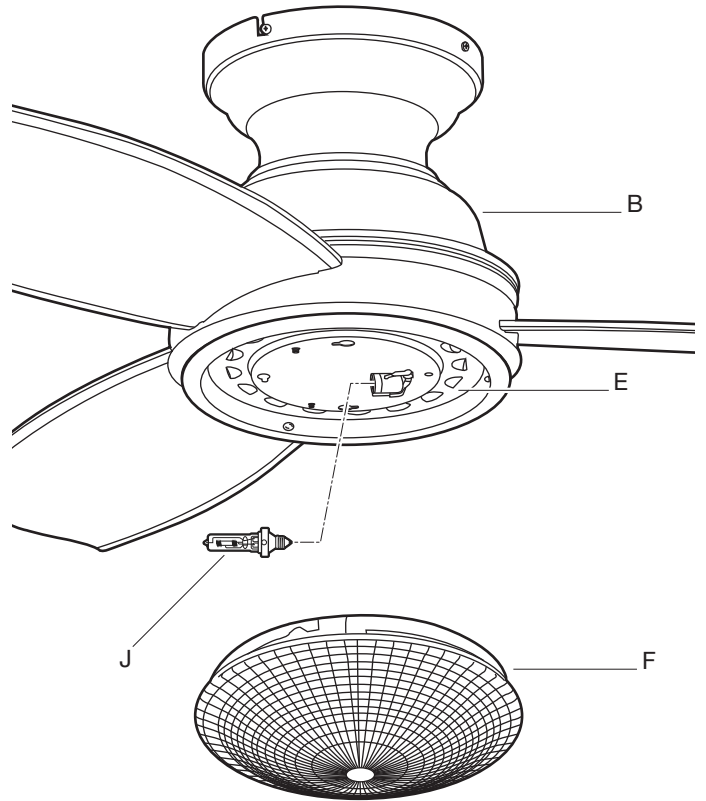
Assembly – Installing the Light Kit (continued)

10 Finishing the light kit assembly and mounting the glass shade



WARNING: Before starting installation, disconnect the power by turning off the circuit breaker or removing the fuse at the fuse box. Turning power off using the fan switch is not sufficient to prevent electric shock.

- Install the 100 Watt halogen bulb (J) (included).
- Raise the glass shade (F) up against the bottom of the fan housing (B), and secure it to the fan by the turning glass (F) clockwise until snug. Do not overtighten.
- Restore the power and your fan is ready for operation.



Operation

REMOTE CONTROL OPERATING INSTRUCTIONS

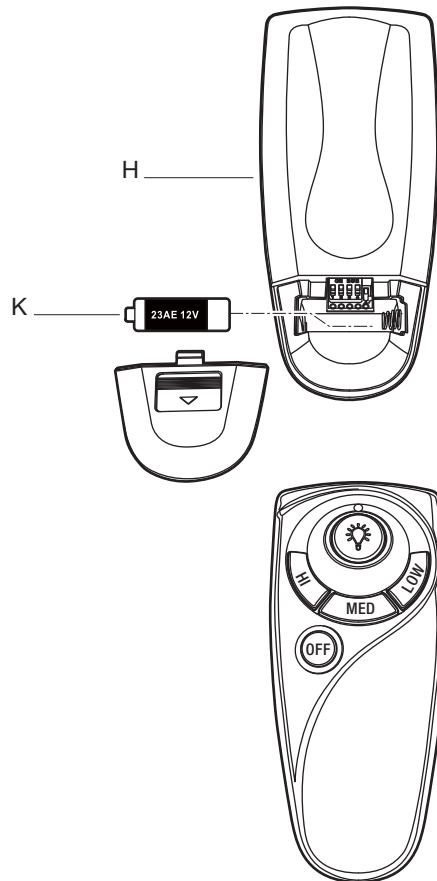
Install a 12V MN21/A23 battery (K) (included) in-to the remote control (H). To prevent damage to the remote control (H), remove the battery (K) if not used for long periods.

- Restore power to the ceiling fan and test for proper operation.

"HI, MED, LOW" buttons: These three buttons are used to set the fan speed as follows: LOW = Low speed, MED = Medium speed, and HI = High speed.

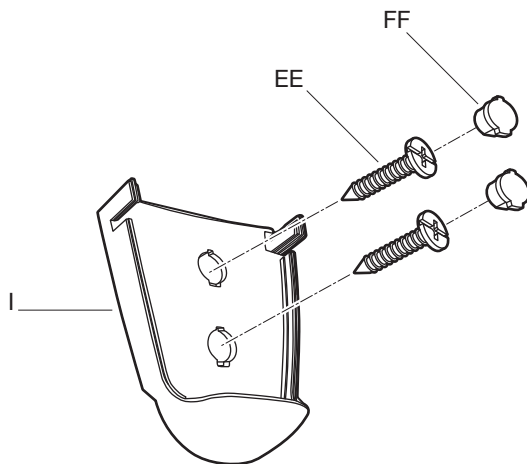
"OFF" button: This button turns the fan off.

The "💡" button turns the light ON or OFF and also controls the brightness setting. Press and release the button to turn the light ON or OFF. Press and hold the button to set the desired brightness. The light button has an auto-resume, it will stay at the same brightness as the last time it was turned off.



INSTALLING THE REMOTE CONTROL HOLDER

- Remove the two remote control holder plugs (FF) from the remote control holder (I). Note that the plugs have unique tabs that allow them to fit only in one hole.
- Attach the remote control holder (I) with the two remote control holder mounting screws (EE).
- Replace the two remote control holder plugs (FF) each into its own hole.



Operation (continued)

REVERSE SWITCH OPERATING INSTRUCTIONS

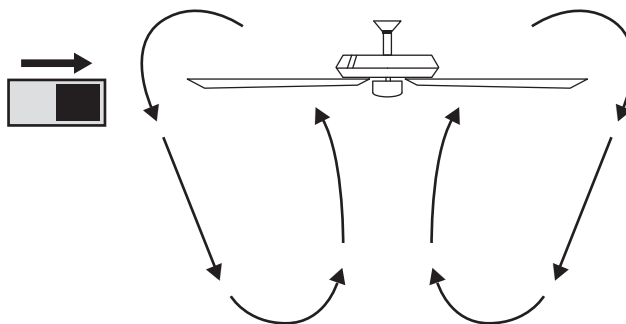
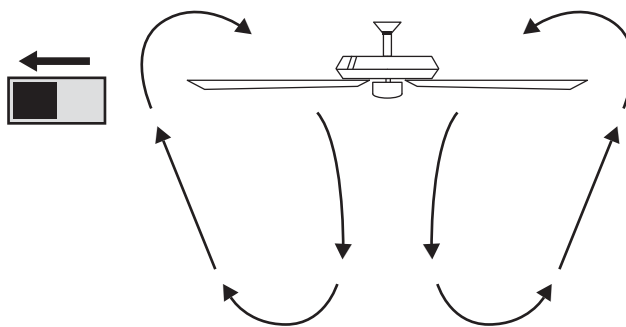
The reverse switch is located on the surface of the switch housing. This switch controls directions: forward (switch left) or reverse (switch right).



NOTE: Wait for the fan to stop before reversing the direction of the blade rotation.

Warm weather - (Counterclockwise Direction) A downward air flow creates a cooling effect. This allows you to set your air conditioner on a warmer setting without affecting your comfort.

Cool weather - (Clockwise Direction) An upward air flow moves warm air off the ceiling. This allows you to set your heating unit on a cooler setting without affecting your comfort.



Care and Cleaning

Do

- Check the support connections, brackets, and blade attachments twice a year. Make sure they are secure. Because of the fan's natural movement, some connections may become loose over time. It is not necessary to remove the fan from the ceiling.
- Clean your fan periodically. Use only a soft brush or lint-free cloth to avoid scratching the finish. The plating is sealed with a lacquer to minimize discoloration or tarnishing.
- (Optional) Apply a light coat of furniture polish to the wood blades.
- (Optional) Cover small scratches with a light application of shoe polish.

Do not

- Do not use water when cleaning. Water could damage the motor, or the wood, or possibly cause an electrical shock.
- Do not apply oil to your fan or motor. The motor has permanently-lubricated sealed ball bearings.

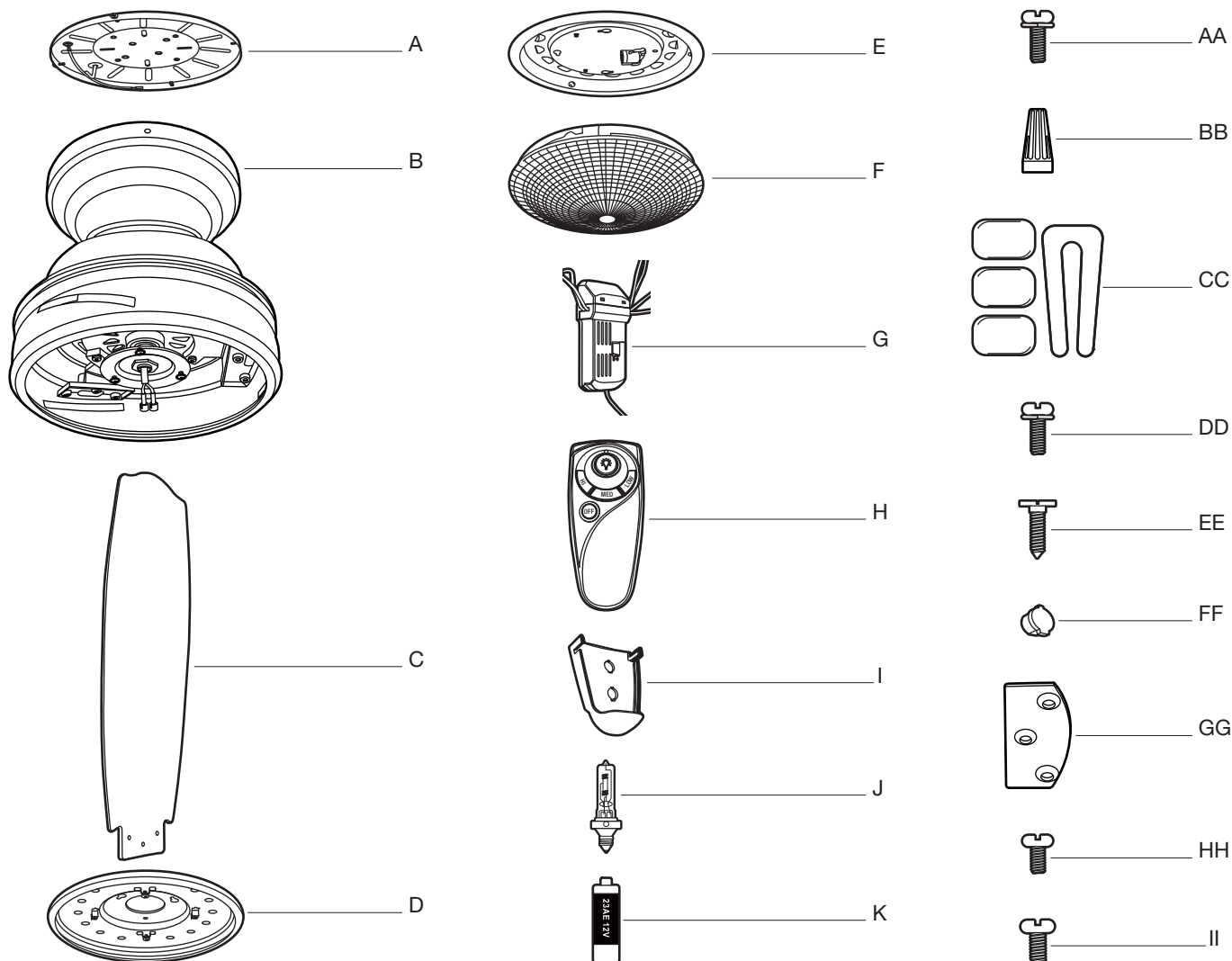
Troubleshooting



WARNING: Make sure the power is off at the electrical panel box before you attempt any repairs. Refer to step 4 "Making the electrical connections" on page 10.

Problem	Solution
The fan will not start.	<input type="checkbox"/> Check main and branch circuit fuses or breakers.
	<input type="checkbox"/> Check line wire connections to the fan and switch wire connections in the switch housing.
	<input type="checkbox"/> Check to make sure the dip switches from the remote control and receiver are set to the same frequency.
The fan sounds noisy.	<input type="checkbox"/> Make sure all motor housing screws are snug.
	<input type="checkbox"/> Make sure the screws that attach the fan blade arm to the motor hub are tight.
	<input type="checkbox"/> Make sure wire nut connections are not rattling against each other or the interior wall of the switch housing.
	<input type="checkbox"/> Allow a 24-hour "breaking-in" period. Most noises associated with a new fan disappear during this time.
	<input type="checkbox"/> If using the ceiling light kit, make sure the screws securing the glassware are tight. Check that the light bulb is also secure.
	<input type="checkbox"/> Make sure there is a short distance from the ceiling to the canopy. It should not touch the ceiling.
The remote control is not working.	<input type="checkbox"/> Do not connect the fan with wall mounted variable speed control(s).
	<input type="checkbox"/> Check to make sure the dip switches from the remote control and receiver are set to the same frequency.
The fan wobbles.	<input type="checkbox"/> Check that all blade and blade arm screws are secure.
	<input type="checkbox"/> Most fan wobble problems are caused when blade levels are unequal. Check this level by selecting a point on the ceiling above the tip of one of the blades. Measure from a point on the center of each blade to the point on the ceiling. Rotate the fan until the next blade is positioned for measurement. Repeat for each blade. Measurement deviations should be within 1/8 in. Run the fan for 10 minutes.
	<input type="checkbox"/> Use the enclosed blade balancing kit if the blade wobble is still noticeable.

Service Parts



Part	Description
A	Mounting bracket
B	Fan motor assembly
C	3 blades
D	Light kit mounting plate
E	Light kit plate
F	Glass shade
G	Receiver
H	Remote control
I	Remote control holder
J	100W halogen bulb
K	12V MN21/A23 battery

Part	Description
AA	Blade attachment hardware (3/16 in. x 17mm screws and lock washers)
BB	Plastic wire nut
CC	Balance kit
DD	Mounting bracket screws (3/16 in. x 1/2 in. screws and lock washers)
EE	Remote control holder mounting screws
FF	Remote control holder plugs
GG	Blade support plates
HH	Mounting ring screws (5/32 in. x 8mm screws)
II	Light kit plate screws (5/32 in. x 8mm screws)



Questions, problems, missing parts? Before returning to the store call
Hampton Bay Customer Service
8 a.m. - 6 p.m., EST, Monday-Friday

1-800-527-0998

HAMPTONBAY.COM

Retain this manual for future use.

11MA0620-1H000001-C