

Location:



SYMMONS® Dia™

Shower Valve System S-3500-CYL-B

Specification Submittal



Feature Highlights

- Symmons Shower Valve System with Symmons Temptrol® pressure-balancing mixing valve with adjustable stop screw to limit handle turn
- Screwless brass escutcheon (-B)
- Cylinder (-CYL) style lever handle
- Polished chrome finish (standard)

Model Numbers

- S-3500-CYL-B
Shower Valve System with Symmons Temptrol® mixing valve p/n S-46-1-BODY
- S-3500-CYL-B-TRM
Trim only, valve must be ordered separately
- S-46-1-BODY
Symmons Temptrol® mixing valve without trim
- S-46-1X-BODY
Symmons Temptrol® mixing valve without trim. Valve includes integral service stops to allow water shut-off for service

Finish Options / Modifications

Append appropriate -suffix to model number

- STN Satin nickel
- Polished chrome (standard finish)

Standards / Certifications

ASME A112.18.1/CSA B125.1
Americans with Disabilities Act (ADA) compliant





Warranty

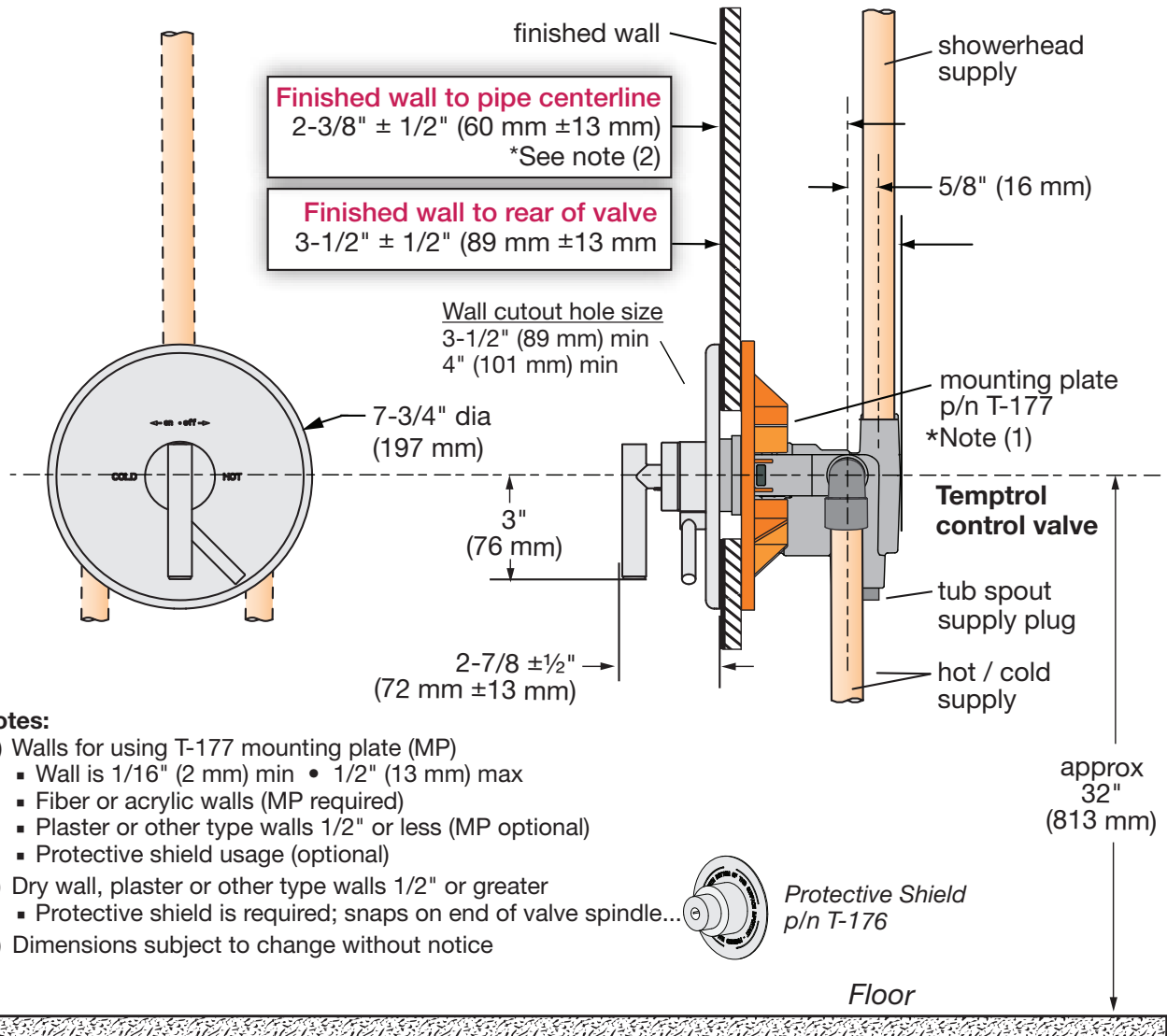
- Limited Lifetime - to the original end purchaser in consumer installations
- 5 years - for commercial installations

Options / Modifications

Append appropriate -suffix to model number

- Delete Suffix B Chrome plastic escutcheon on valve with color graphics/indicators in place of standard brass escutcheon
- IPS 1/2" female IPS connections
-  -LP Loop handle
-  -LR Lever handle
- REB Rebuild trim kit, includes TA-10 and TA-4
- REV Reverse coring, hot on right, cold on left, for back to back installations
- VP Vandal resistant escutcheon screws in place of standard screws
- X Integral service stops - allows water shutoff at valve for service
- X-CHKS Integral check stops - for use in installations where a positive shut-off device is used downstream of mixing valve

Dimensions Dia Shower Valve System, S-3500-CYL-B



*** Notes:**

- (1) Walls for using T-177 mounting plate (MP)
 - Wall is 1/16" (2 mm) min • 1/2" (13 mm) max
 - Fiber or acrylic walls (MP required)
 - Plaster or other type walls 1/2" or less (MP optional)
 - Protective shield usage (optional)
- (2) Dry wall, plaster or other type walls 1/2" or greater
 - Protective shield is required; snaps on end of valve spindle...
- (3) Dimensions subject to change without notice