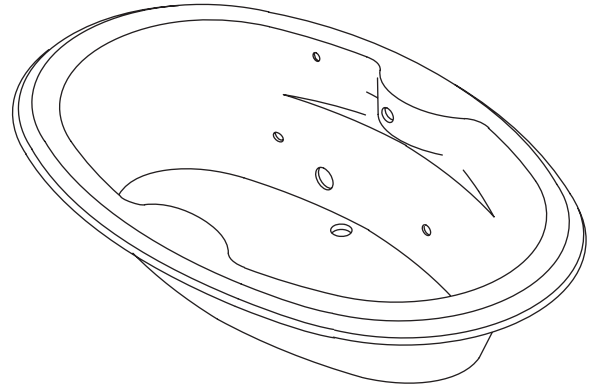


## PROFLEX® 7242 OVAL

### ACRYLIC BATH WHIRLPOOL K-1148

#### Features

- Acrylic
- Oval shape
- Drop-in
- 6 individually adjustable ProFlex® hydro-massage jets
- 1.25 hp pump with air switch and grounding-type plug-in cord
- Molded lumbar supports and armrests
- UL listed
- Optional K-9696 whirlpool trim kit in various finishes
- Optional K-1639 timer kit
- 72" (182.9 cm) x 42-1/8" (107 cm) x 19-3/4" (50.2 cm)



#### Codes/Standards Applicable

Specified model meets or exceeds the following:

- ANSI Z124.1
- IAPMO/UPC
- Underwriter's Laboratories (UL)
- ASME A112.19.7M

#### Colors/Finishes

- 0: White
- Other: Refer to Price Book for additional colors/finishes

#### Accessories:

- CP: Polished Chrome
- PB: Polished Brass
- Other: Refer to Price Book for additional colors/finishes
- NA: None applicable

#### Specified Model

Model	Description	Colors/Finishes		
K-1148	Whirlpool, drop-in (shown)	<input type="checkbox"/> 0 White	<input type="checkbox"/> Other_____	
<b>Recommended Accessory</b>				
K-11677	Drain	<input type="checkbox"/> CP		
<b>Optional Accessories</b>				
K-9696	Jet trim kit (metal finishes)	<input type="checkbox"/> CP	<input type="checkbox"/> PB	<input type="checkbox"/> Other_____
K-1639	Timer kit	<input type="checkbox"/> NA		

#### Product Specification:

The oval shaped bath whirlpool shall be 72" (182.9 cm) in length, 42-1/8" (107 cm) in width, and 19-3/4" (50.2 cm) in height. Drop-in bath whirlpool shall be made of acrylic. Bath whirlpool shall have 6 individually adjustable ProFlex hydro-massage jets, 1-1/4 hp pump with air switch and grounding-type plug-in cord. Bath whirlpool shall have molded lumbar supports and armrests. Bath whirlpool shall be UL listed. Bath whirlpool shall have optional K-9696 trim kit. Bath whirlpool shall have optional K-1639 timer kit. Bath whirlpool shall be Kohler Model K-1148-\_\_\_\_\_.

# PROFLEX<sup>®</sup> 7242 OVAL

## Technical Information

Fixture*:	basin area	top area	weight
Bathing well	53" (134.6 cm) x 26" (66 cm)	65" (165.1 cm) x 34" (86.4 cm)	74-1/4 lbs. (33.7 kg)
	water depth	capacity	
To overflow	15" (38.1 cm)	78 gal. (295.3 L)	

\* Approximate measurements for comparison only.

Pump:	Hp	V	Hz	A
1-speed	1.25	120	60	7.5

Included Components:

Cut-out template	114861-7
------------------	----------

## Required Electrical Service

Dedicated circuit required, protected with Class A Ground-Fault Circuit-Interrupter (GFCI):

Pump/control 120 V, 15 A, 60 Hz

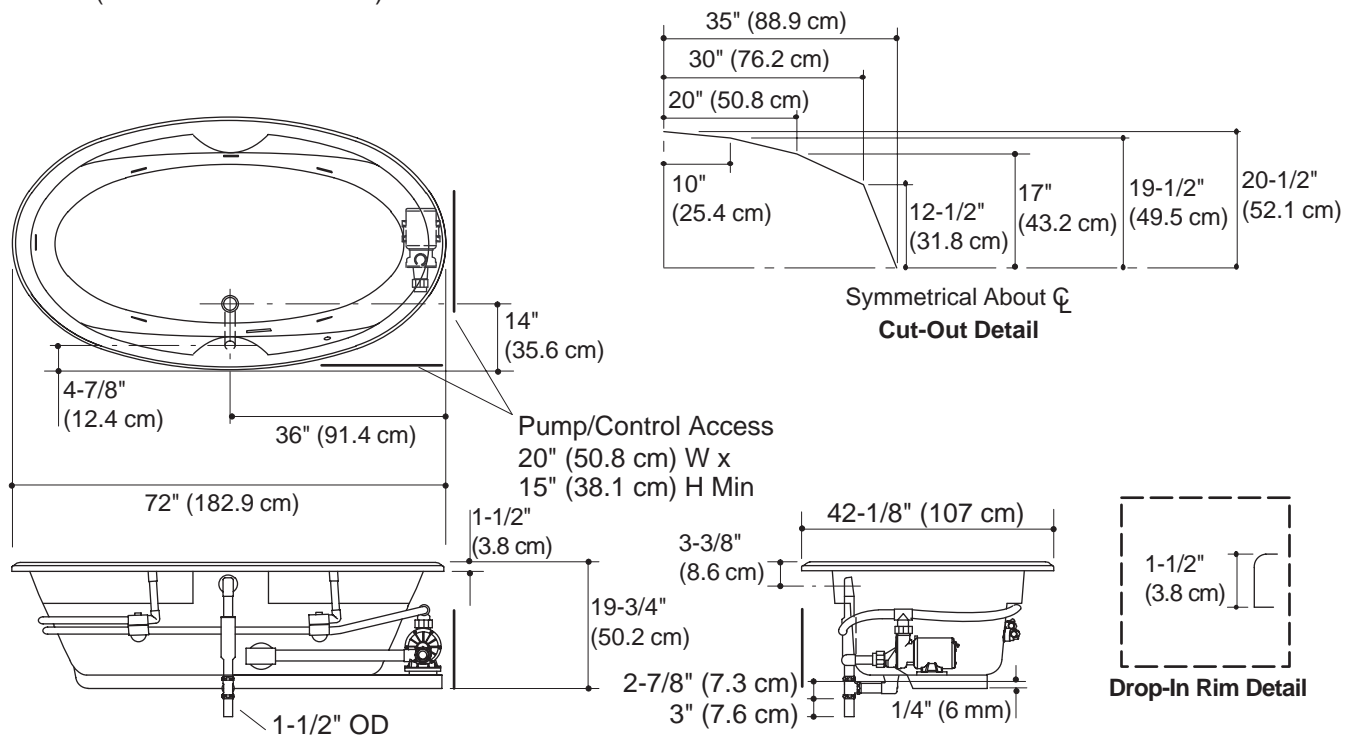
Locate the outlet behind the whirlpool and within 24" (61 cm) of the pump.

## Installation Notes

Install this product according to the installation guide.

Floor support under whirlpool must provide for a minimum of 80 lbs./square foot (390 kg/square meter) loading.

No change in measurements with drain shown. (K-11677 or K-11677-M)



## Product Diagram