

# Technical Specification

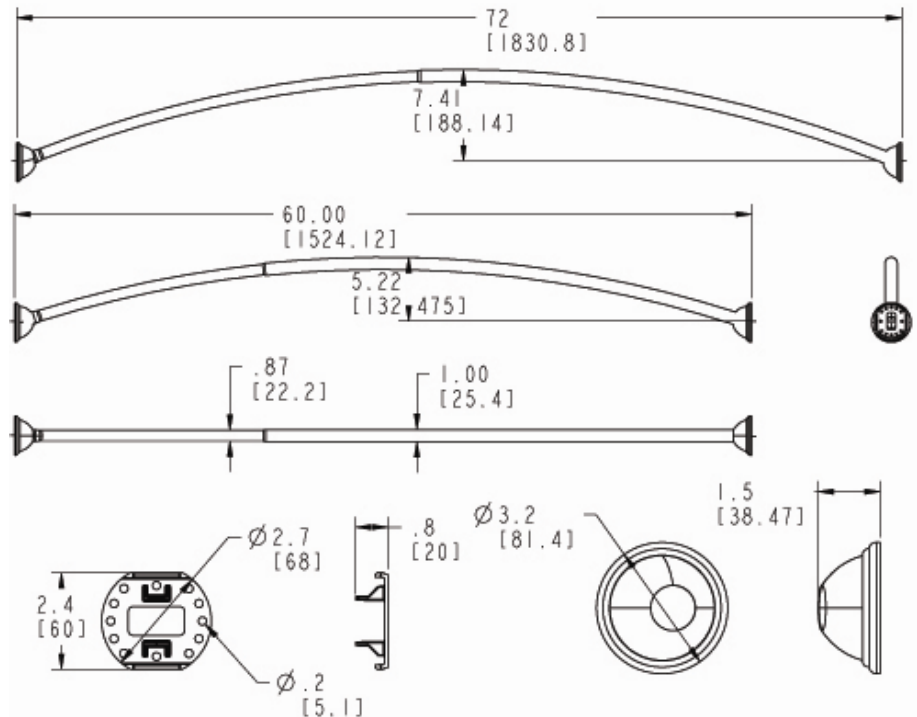
## Adjustable-Length Curved Shower Rod

# DN2160

### Stock Numbers:

- q **DN2160BN – Adjustable-Length Curved Shower Rod**  
Brushed Nickel Finish  
Adjusts to fit shower enclosures between 54- and 72-inches
- q **DN2160CH – Adjustable-Length Curved Shower Rod**  
Chrome Finish  
Adjusts to fit shower enclosures between 54- and 72-inches
- q **DN2160OWB – Adjustable-Length Curved Shower Rod**  
Old World Bronze Finish  
Adjusts to fit shower enclosures between 54- and 72-inches

### Dimensions:



### Materials:

**Curved Shower Rod** is made of .028 (22 gauge) seamless type 430 stainless steel. **Decorative Covers** are stamped from .020 type 443 stainless steel. **Pivoting Mounting Post** is made from POM. The **screw** in the pivoting post assembly is made from stainless steel. **Rod connector** is made from Polyethylene. **Decorative Cover Insert Rings** are made from POM.

**Stock Number:** \_\_\_\_\_ **Adjustable-Length Curved Shower Rod By Creative Specialties**



25300 AL MOEN DRIVE • NORTH OLMSTED, OH 44070  
CORPORATE HEADQUARTERS: (800) 321-8809 • FAX: (800) 848-6636  
INTERNATIONAL: (440) 962-2000 • FAX: (440) 962-2726  
CUSTOMER SERVICE (USA): 800-882-0116 • FAX: (888) 379-2720  
WWW.CSI.MOEN.COM

©Copyright Creative Specialties International