

SIZE : 142 x 210mm



MAIL BOX

Instruction Manual

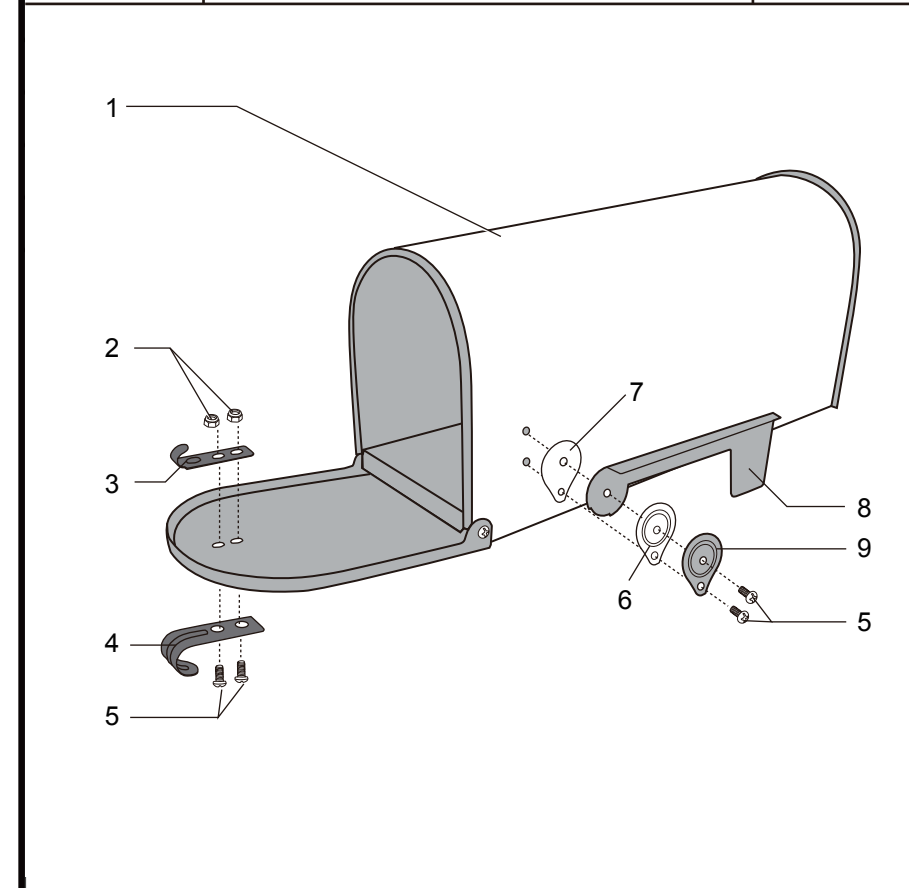


Read the instructions before use of this product.
Please keep this instruction manual for future reference.

For warranty information, please refer to the back page of this instruction manual.

PARTS & HARDWARE LIST

Item	Description	Qty
1	Mainbody	1
2	Screw cap	4
3	Snaps	1
4	Clasp	1
5	Screw	4
6	Plastic Shim	1
7	Plastic Shim	1
8	Flag	1
9	Presser	1



ASSEMBLY INSTRUCTIONS

ASSEMBLY INSTRUCTIONS:

TOOLS REQUIRED:

Screw Driver

Please read the cooler manual carefully and assemble according to following steps.

1. Please make sure all parts are accounted for before beginning assembly
2. Place main basin (Part1) up-side down on clean soft surface
3. Attached the snaps (Part3) and clasp (Part4) to mainbody using 2 screws tighten with screw-driver
4. Attached the flag (Part8), presser (Part9) and two plastic shim (Part7 & Part6) to main body according to the order of the picture using 2 screws tighten with screw-driver



Sainty International, LLC.

3112 Seaborg Ave., Unit C,
Ventura, CA 93003
Tel: (805) 650-1810
Fax: (805) 617-4067
info@sainty.us