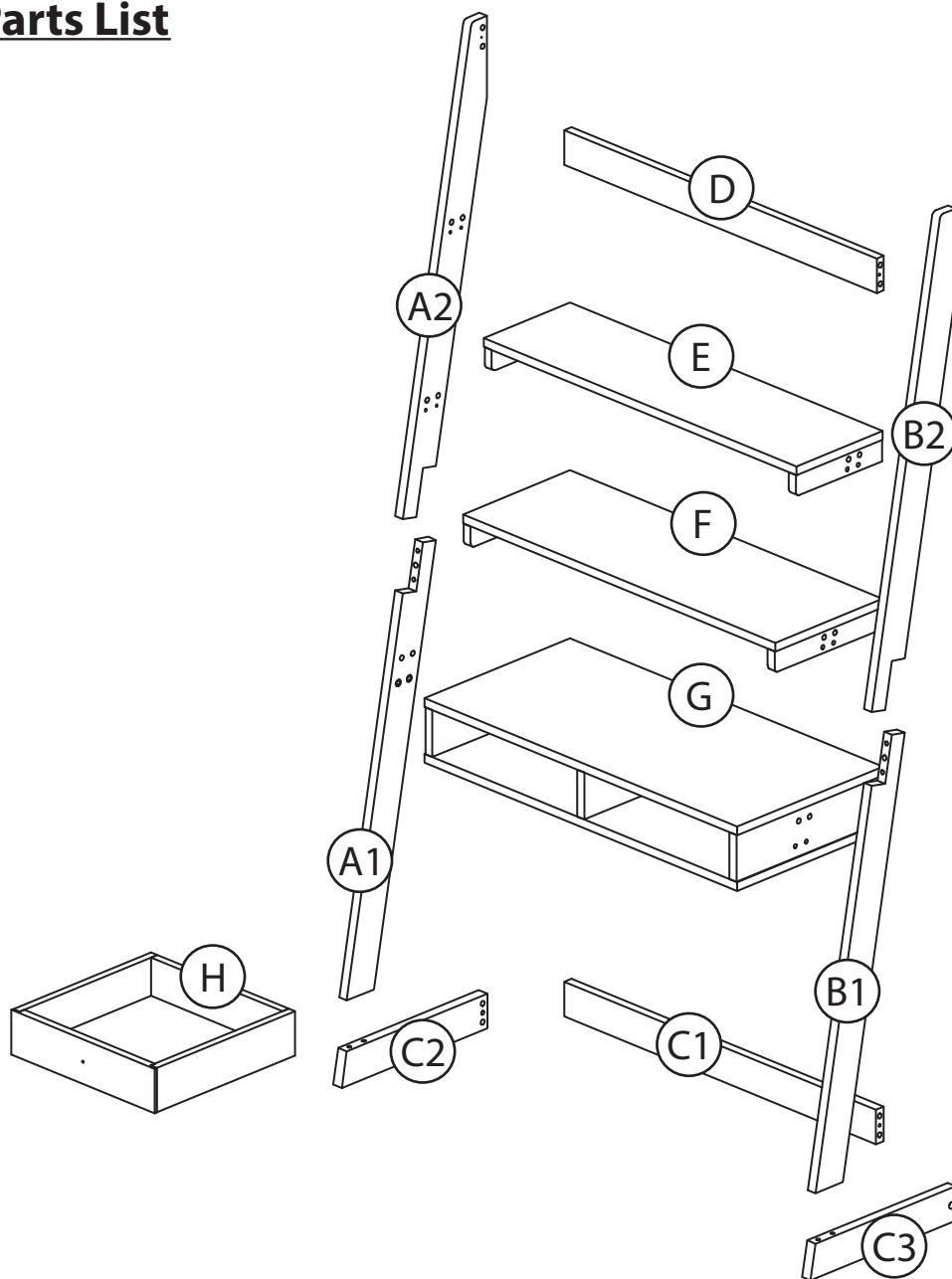


**Assembly Instruction**  
**Item# 317-9X**  
**Free Standing Ladder Desk with Drawer**

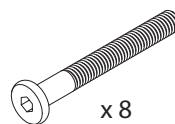
## Parts List



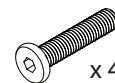
## Part List

A1	Lower Left Leg	1 pc.
A2	Upper Left Leg	1 pc.
B1	Lower Right Leg	1 pc.
B2	Upper Right Leg	1 pc.
C1	Back Base Bar	1 pc.
C2	Left Base Bar	1 pc.
C3	Right Base Bar	1 pc.
D	Top Crossbar	1 pc.
E	Top Shelf	1 pc.
F	Middle Shelf	1 pc.
G	Bottom Shelf	1 pc.
H	Drawer	1 pc.

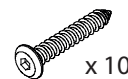
## Hardware



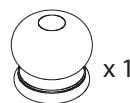
RF10034  
JCB M6 x 50



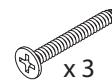
RF10052  
JCB M6 x 30



RF10003  
JCA1/4"x 32



RF40008  
Knob



RF10002  
F6 x 1 1/4"



RF40103  
Allen Key

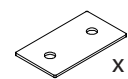
## Anti-Tipping



Screw P6 x 5/8"  
RF10080



Screw P6 x 1 1/4"  
RF10103



Metal Plate  
RF40214

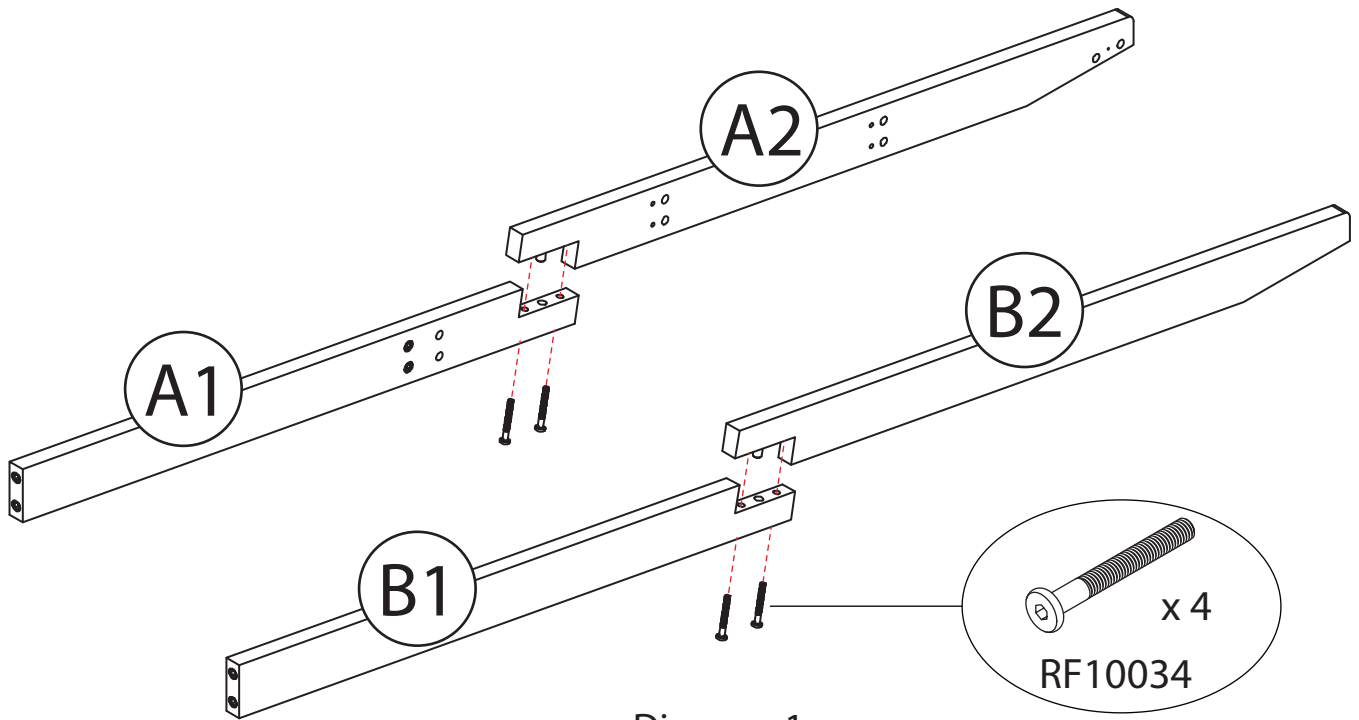


Diagram 1.

**Step1:**

Assemble the Leg by attach Lower Left Leg (A) to the Upper Left Leg (A1) and Lower Right Leg (B1) to Upper Right Leg (B2) by using screw (RF10034) as per diagram 1.

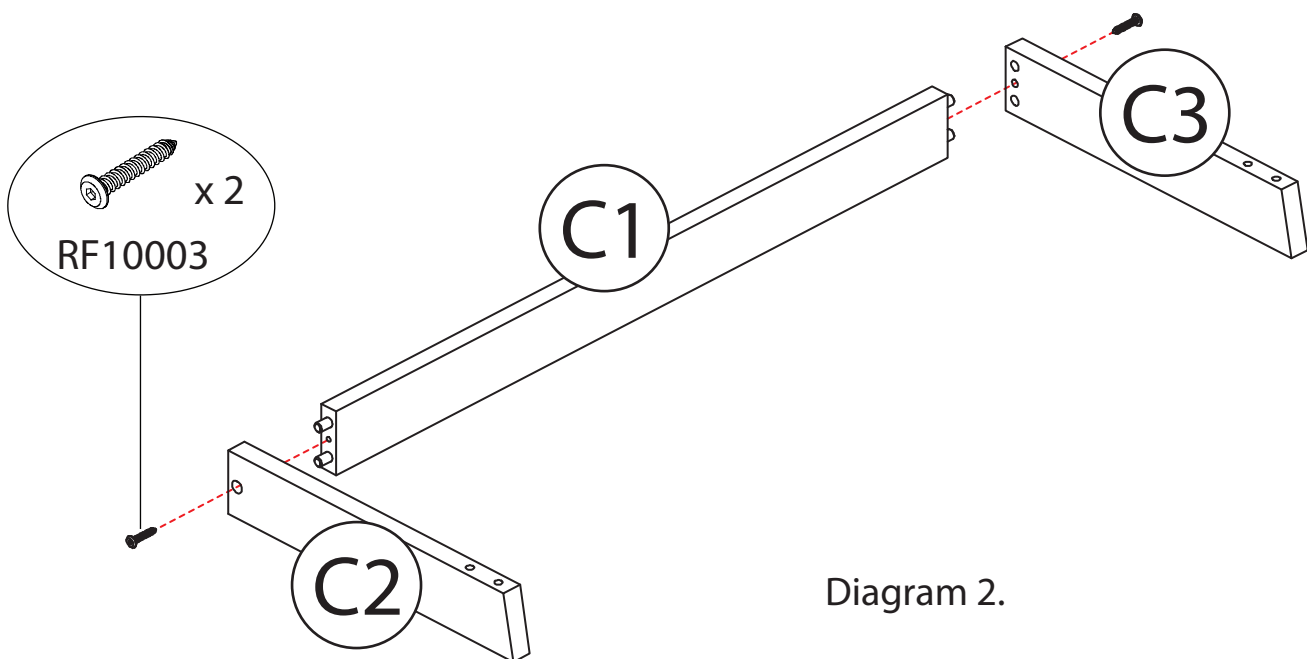
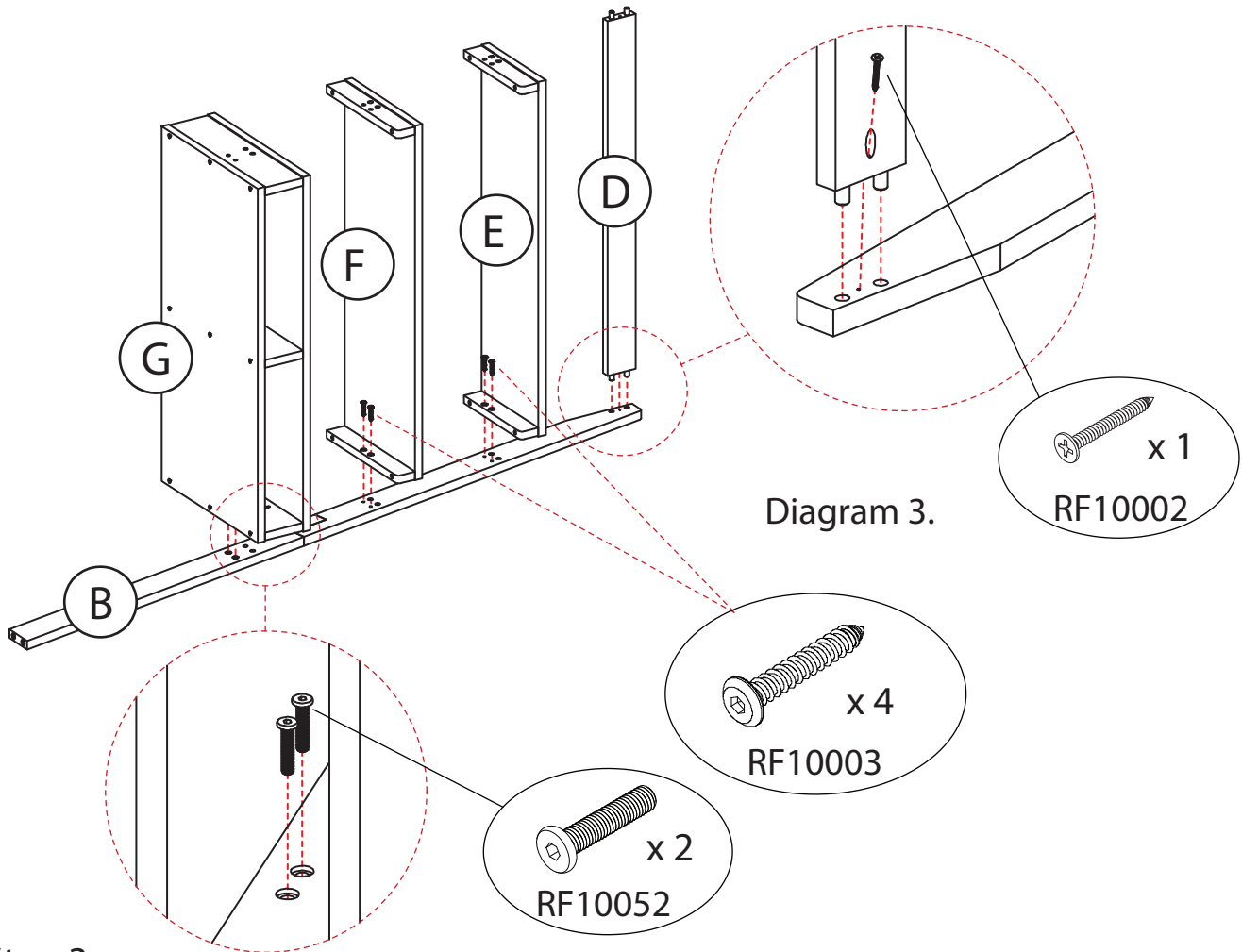


Diagram 2.

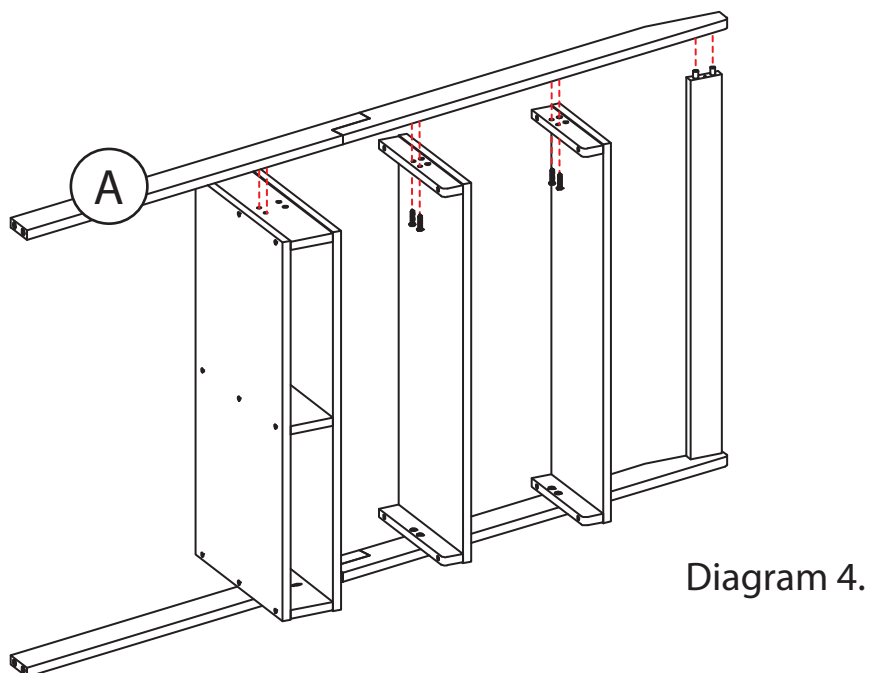
**Step2:**

Assemble the Base Bar by attaching Back (C1), Left (B2) and Right (C3) together with screw (RF10003) as per diagram 2.



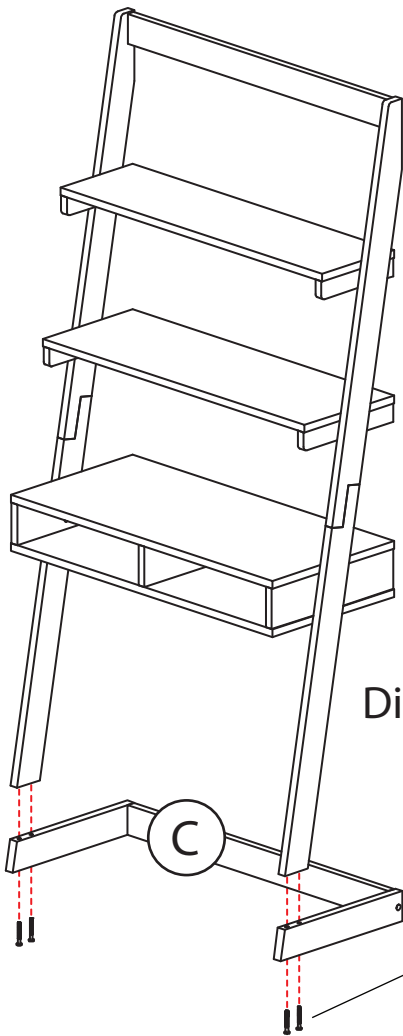
**Step 3:**

Attach Top Crossbar (D), Top Shelf (E), Middle Shelf (F) and Bottom Shelf (G) into the Right Leg Unit (B), for (D) to (B) using Screw (RF10002), (E) and (F) to (B) using Screw (RF10003) and (G) to (B) using Screw (RF10052) as per diagram 3.



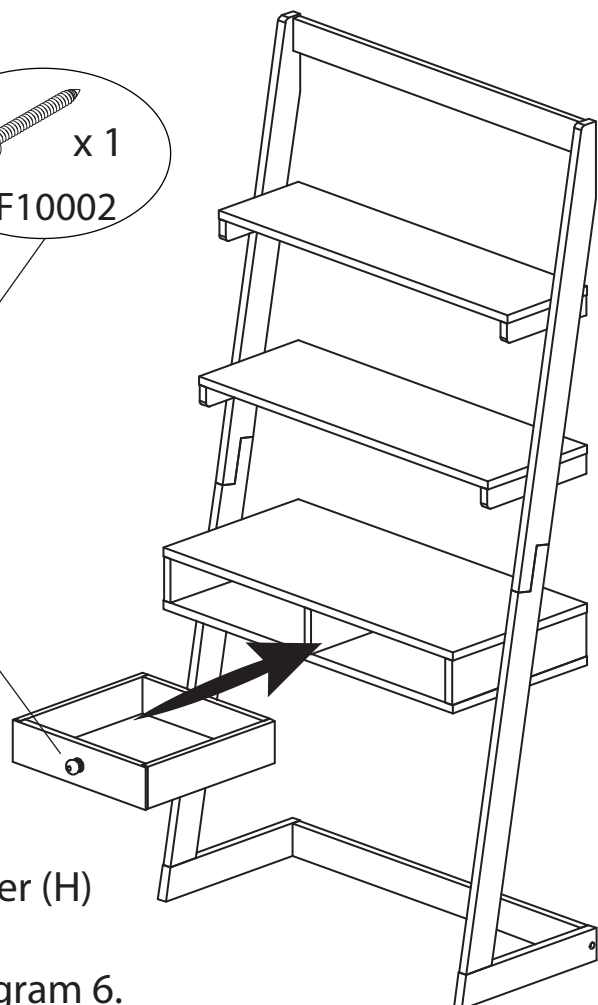
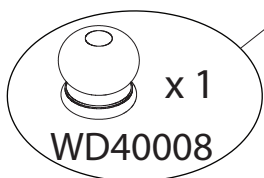
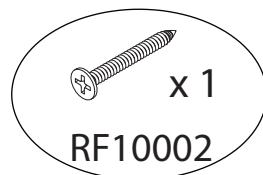
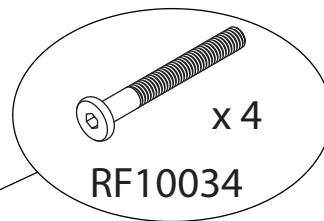
**Step 4:**

Repeat step 3. Attach Left Leg (A) into the unit as per diagram 4.



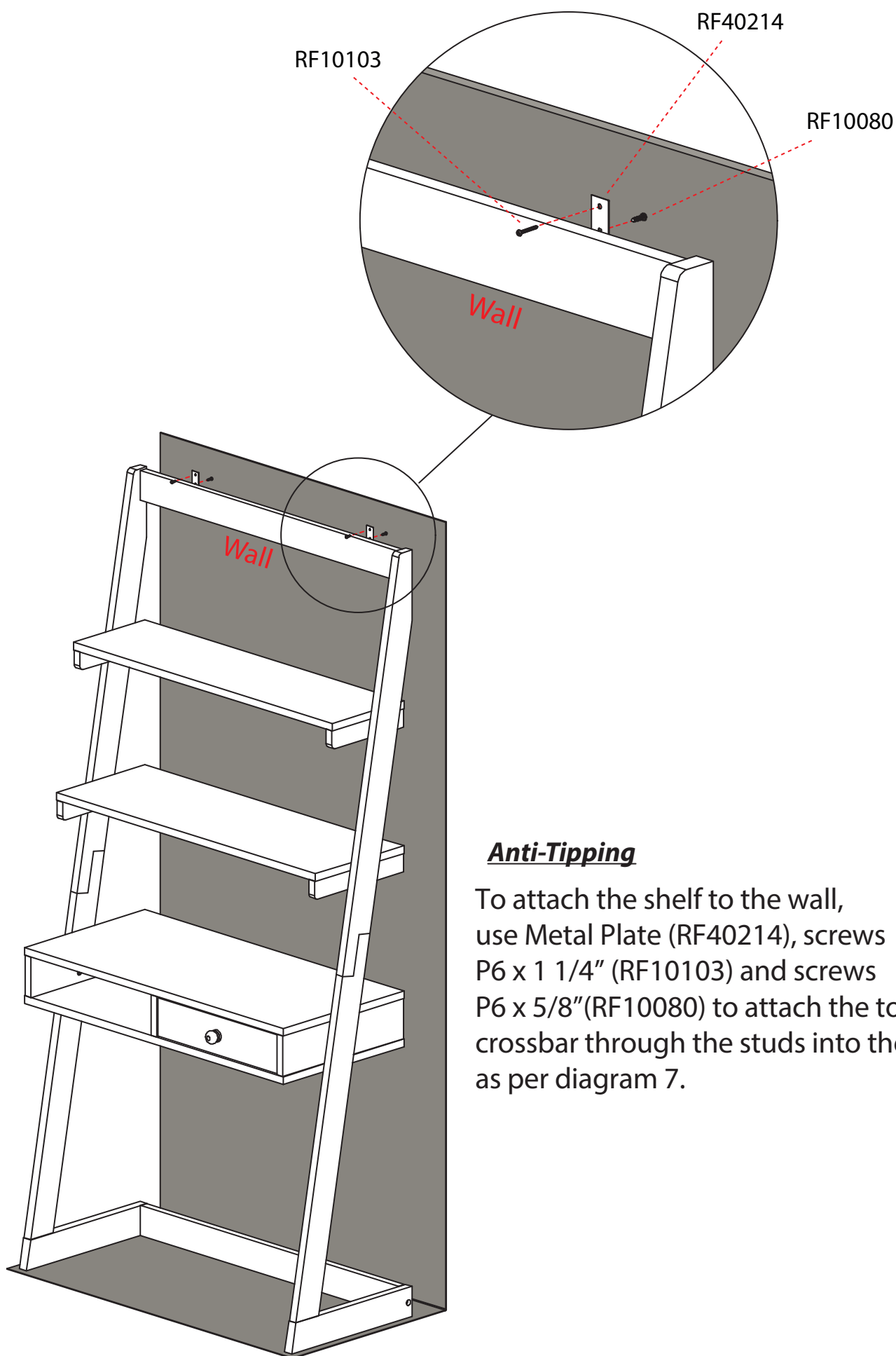
Step 5:  
Attach Base Bar (C) into the unit  
by using Screw (RF10052) as per diagram 5.

Diagram 5.



Step 6:  
Attach Knob (WD40008) into the Drawer (H)  
by using Screw (RF10002), then insert  
the drawer into the position as per diagram 6.

Diagram 6.



***Anti-Tipping***

To attach the shelf to the wall, use Metal Plate (RF40214), screws P6 x 1 1/4" (RF10103) and screws P6 x 5/8" (RF10080) to attach the top crossbar through the studs into the wall as per diagram 7.

***Diagram 7.***