

CARE AND MAINTENANCE

Store outdoor furniture indoors or cover well when not in use.

Remove wooden furniture from standing water. Dust regularly with small brush or vacuum






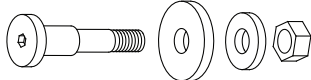
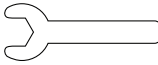
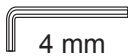
Spills should be taken care of immediately before they harden or stain with a slightly dampened sponge.

NOTICE

- * Please make sure that you have all parts indicated before you begin assembly of this item
- * This item should be assembled on a soft surface to prevent scratching the finish during assembly
- * This item may require periodic tightening

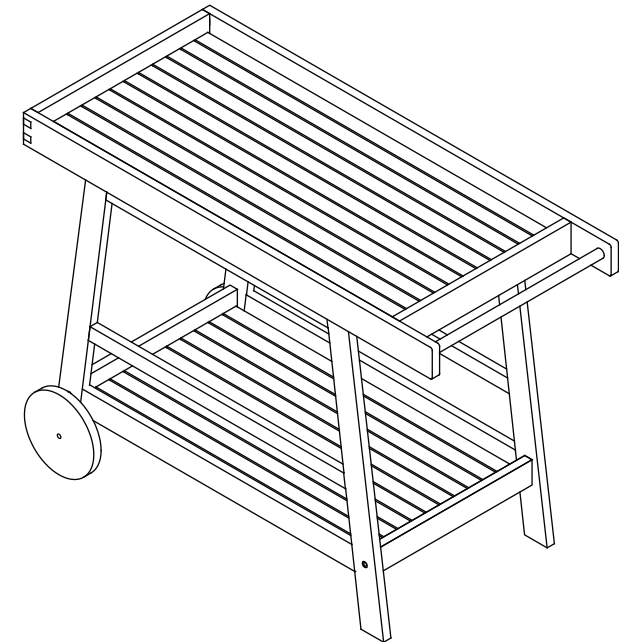
 **SAFAVIEH**
O U T D O O R

Part List and Hardware List

PIECE	DESCRIPTION	PICTURE	QUANTITY
A	Leg fame		2X
B	Top fame		1X
C	Shelf fame		1X
D	Wheel		2X
E	Screw	 M6x60	10X
F	Bolt		2X
G	Hex Wrenches		1X
H	Allen Key	 4 mm	1X

Model# PAT7032

Product Dimensions: 20.9" W x 28.44" D x 31.9" H

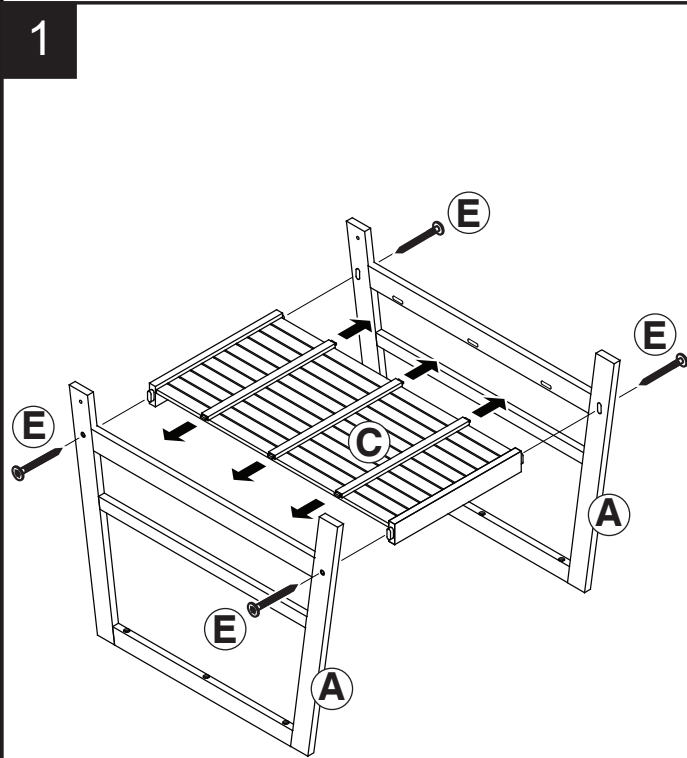


PREPARATION

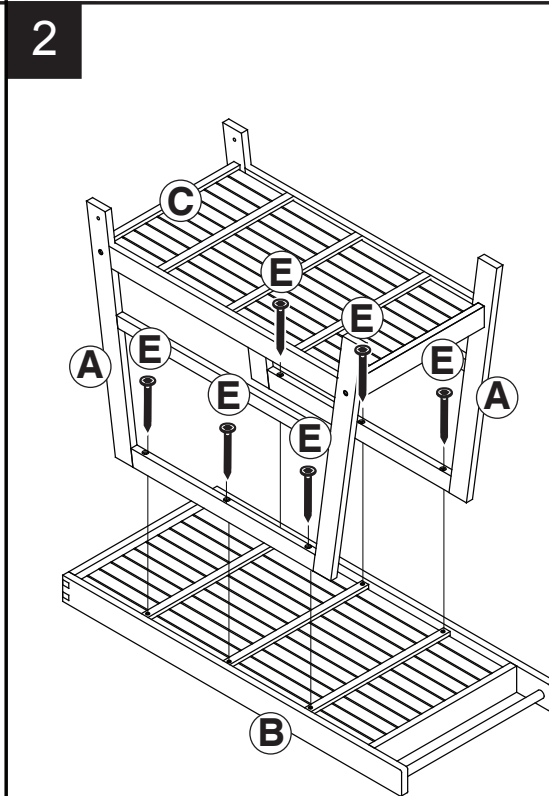
Before beginning assembly of product, make sure all parts are present. Compare parts with package contents list and hardware contents list. If any part is missing or damaged, do not attempt to assemble the product.

Estimated Assembly Time: 30 minutes.

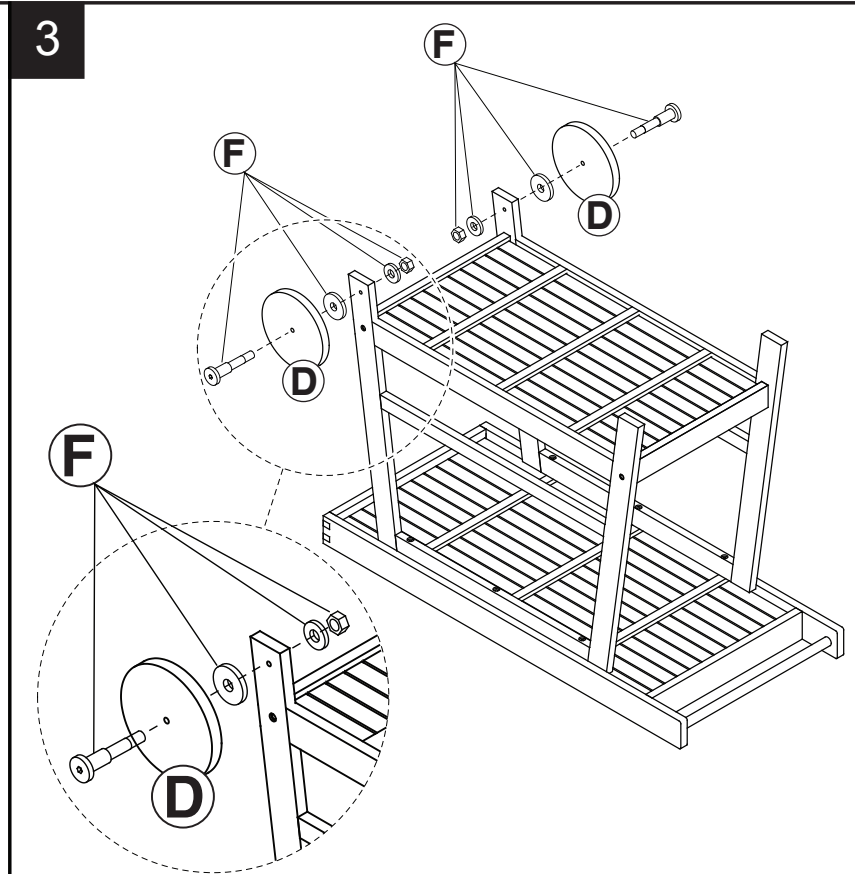
Tools Required for Assembly (included): Allen Key



Step 1
Attached (A) to (C), Using(E) tighten by (H).



Step 2
Attached (A),(C) to (B),
Using(E) tighten by (H).



Step 3
Attached (D), to (A),(B),(C),
Using(F) tighten by (H) and (G).