

Muskoka®

ELECTRIC FIREPLACE MEDIA MANTEL

FOYER ÉLECTRIQUE AVEC MANTEAU
POUR APPAREILS ÉLECTRONIQUES

USE AND CARE GUIDE | GUIDE D'UTILISATION ET D'ENTRETIEN



37-196-48 / 37-196-204



**IMPORTANT:
SAVE THESE
INSTRUCTIONS.**

**PLEASE READ THIS MANUAL BEFORE
INSTALLING AND USING APPLIANCE**

WARNING!
IF THE INFORMATION IN THIS MANUAL IS NOT FOLLOWED
EXACTLY, AN ELECTRICAL SHOCK OR FIRE MAY RESULT
CAUSING PROPERTY DAMAGE, PERSONAL INJURY OR LOSS OF LIFE.

Retain this manual for future use.

**IMPORTANT :
CONSERVER CES
INSTRUCTIONS.**

**VEUILLEZ LIRE CE MANUEL AVANT L'INSTALLATION
ET L'UTILISATION DE VOTRE FOYER**

AVERTISSEMENT!
SI LES RENSEIGNEMENTS DE CE MANUEL NE SONT PAS EXACTEMENT
SUIVIS, UN CHOC ÉLECTRIQUE OU UN INCENDIE PEUT SURVENIR, ET
CAUSER DES DOMMAGES, DES BLESSURES OU LA PERTE DE VIE

Conserver ce manuel pour une utilisation ultérieure.

Table of Contents

Table of Contents	2	Package Contents	4
Warranty	2	Assembly	5
Pre-Assembly	3	Troubleshooting	14
Planning Assembly	3	Care and Cleaning	15
Tools Required	3	Shelf Weight Capacity	15
Hardware Included	3	Service Parts	15

1 Year Warranty

WHAT IS COVERED

The manufacturer warrants that your new electric fireplace is free from manufacturing and material defects for a period of one year from date of purchase, subject to the following conditions and limitations.

This electric fireplace must be installed and operated at all times in accordance with the instructions furnished with the product. Any alteration, willful abuse, accident, or misuse of the product shall nullify this warranty. This warranty is non-transferrable, and is made to the original owner, provided that the purchase was made through an authorized supplier of the manufacturer. This warranty is limited to the repair or replacement of part(s) found to be defective in material or workmanship, provided that such part(s) have been subjected to normal conditions of use and service, after said defect is confirmed by the manufacturer's inspection. The manufacturer may, at its discretion, fully discharge all obligations with respect to this warranty by refunding the wholesale price of the defective part(s).

WHAT IS NOT COVERED

Any installation, labor, construction, transportation, or other related costs/expenses arising from defective part(s), repair, replacement, or otherwise of same, will not be covered by this warranty, nor shall the manufacturer assume responsibility for same. Further, the manufacturer will not be responsible for any incidental, indirect, or consequential damages, except as provided by law.

All other warranties - expressed or implied - with respect to the product, its components and accessories, or any obligations/liabilities on the part of the manufacturer are hereby expressly excluded. The manufacturer neither assumes, nor authorizes any third party to assume, on its behalf, any other liabilities with respect to the sale of this product. The warranties as outlined within this document do not apply to non-manufacturer accessories used in conjunction with the installation of this product.

This warranty does not cover the lightbulb(s) included with the fireplace.


This warranty is void if: the fireplace has been operated in atmospheres contaminated by chlorine, fluorine, or other damaging chemicals; the fireplace is subjected to prolonged periods of dampness or condensation; the fireplace is altered, willfully abused, damaged by accident, or misused in any way.

If warranty service is needed, contact the Customer Service Team at 1-800-986-3460 from 8 a.m. - 6 p.m., EST, Monday-Friday or visit www.homedepot.com/hdc.

Make sure you have your warranty, your sales receipt, and the model/serial number of your product.

DO NOT ATTEMPT TO DO ANY SERVICE WORK YOURSELF. PLEASE CONTACT CUSTOMER SERVICE AT:

 1-877-447-4768 Monday to Friday from 8:30AM to 4:30PM (EST),
Web: www.ghpgroupinc.com

 Email: customerservice@ghpgroupinc.com
Canada: 271 Massey Road, Guelph, Ontario, Canada, N1K 1B2
USA: 6440 W. Howard Street, Niles, Illinois U.S.A. 60714



Pre-Assembly

PLANNING ASSEMBLY

Before you begin assembly, locate the instructions and hardware. Compare all parts with the Hardware Included and Package Contents lists. Be sure you have all the parts and can identify them. A helping hand is always good. Assemble your mantel with an adult assistant if possible. Some pieces are heavy and will need to be held by a helper. Assembly time will take approximately 30-60 minutes.

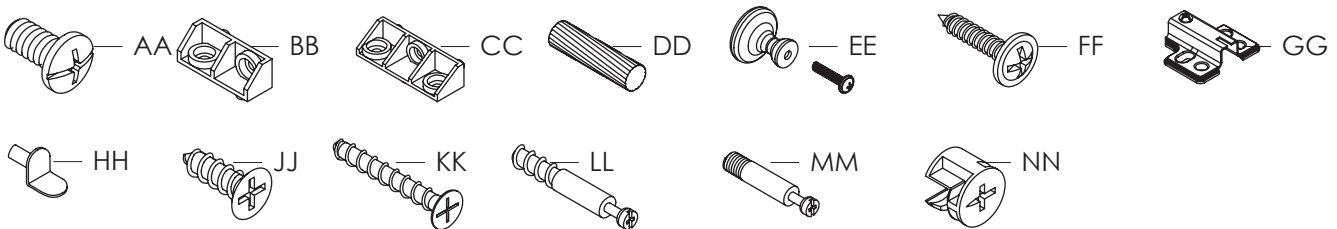
Before assembly, use scissors to unwrap the parts from the packaging. Do not use a box cutter or exacto-knife, as you may cut into the mantel pieces inside the box and damage the finish. Check for the red hardware bag located inside the packaging. Do not discard any pieces. Use an appropriate screwdriver to insert and tighten all screws.

TOOLS REQUIRED (NOT INCLUDED)



HARWARE INCLUDED

Note: Hardware not shown to actual size.

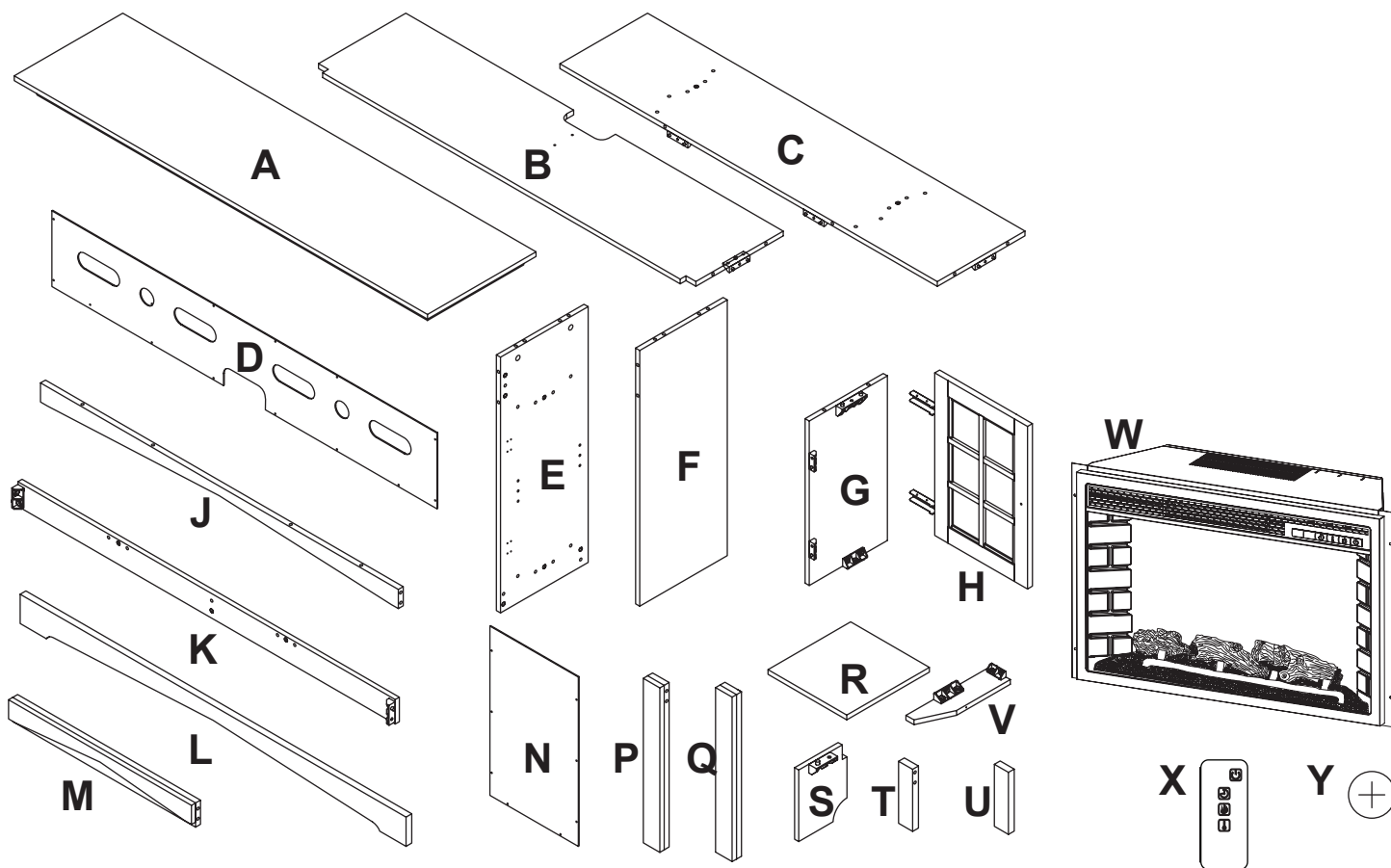


Part	Description	Quantity
AA	Bolt	33
BB	Short Connector	2
CC	Long Connector	2
DD	Dowel	36
EE	Knob	2
FF	Back Panel Screw	30
GG	Door Hinge Plate	4

Part	Description	Quantity
HH	Shelf Pin	8
JJ	Hinge Screw	16
KK	Long Screw	2
LL	Long Metal Bolt	4
MM	Short Metal Bolt	4
NN	Metal Cam Lock	8

Pre-Assembly (continued)

PACKAGE CONTENTS



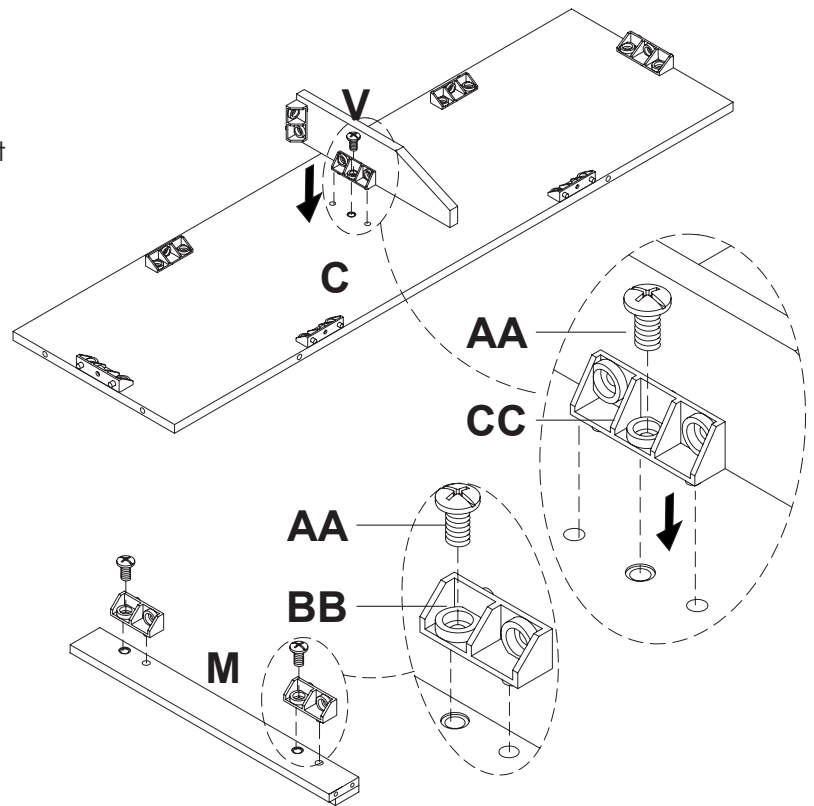
Part	Description	Quantity
A	Top Panel	1
B	Media Shelf	1
C	Base Panel	1
D	Upper Back Panel	1
E	Left Side Panel	1
F	Right Side Panel	1
G	Inside Panel	2
H	Cabinet Door	2
J	Top Rail	1
K	Rear Apron Panel	1
L	Front Apron Panel	1
M	Top Trim	1

Part	Description	Quantity
N	Side Back Panel	2
P	Left Trim	1
Q	Right Trim	1
R	Adjustable Shelf	2
S	Support Panel	1
T	Left Front Panel	1
U	Right Front Panel	1
V	Support Leg	1
W	Firebox	1
X	Firebox Remote Control	1
Y	Button Cell Battery	1

Assembly

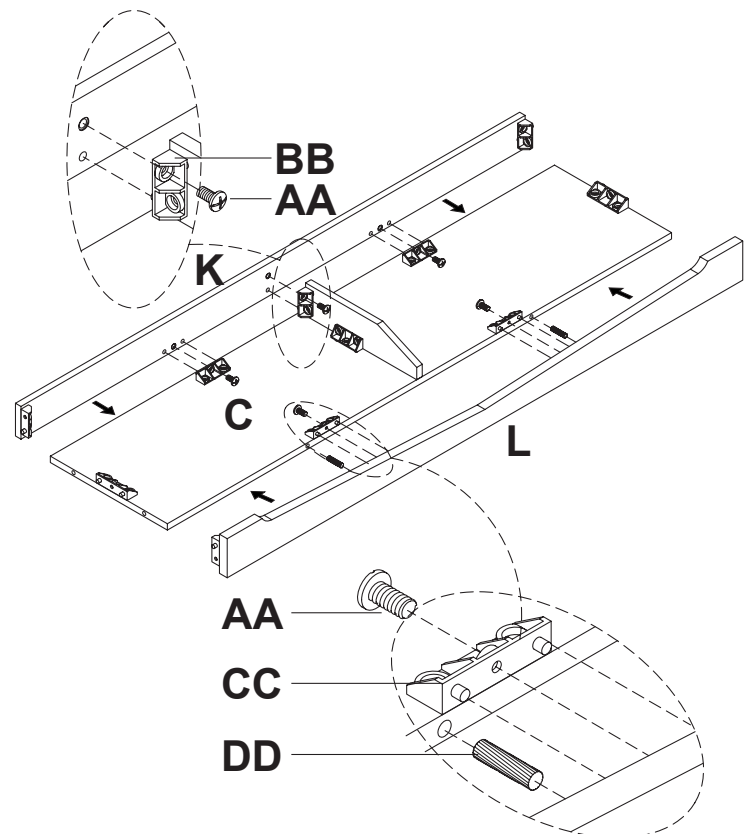
ATTACHING THE SUPPORT LEG AND CONNECTORS

1. Locate the base panel (C) and place on a soft surface to protect the finish. Line up and insert the long connector (CC) on the support leg (V) into the unthreaded holes in the center of the base panel (C).
2. Attach the support leg (V) to the base panel (C) by turning a bolt (AA) clockwise through the long connector (CC). Do not strip the bolt (AA) by overtightening.
3. Locate the top trim (M) and place them on a soft surface to protect the finish.
4. Insert two short connectors (BB) into the top trim (M) where indicated. Press down firmly until flush.
5. Attach the short connectors (BB) by inserting two bolts (AA) and turning clockwise. Do not strip the bolts (AA) by overtightening.



ATTACHING THE FRONT AND BACK PANELS TO THE BASE

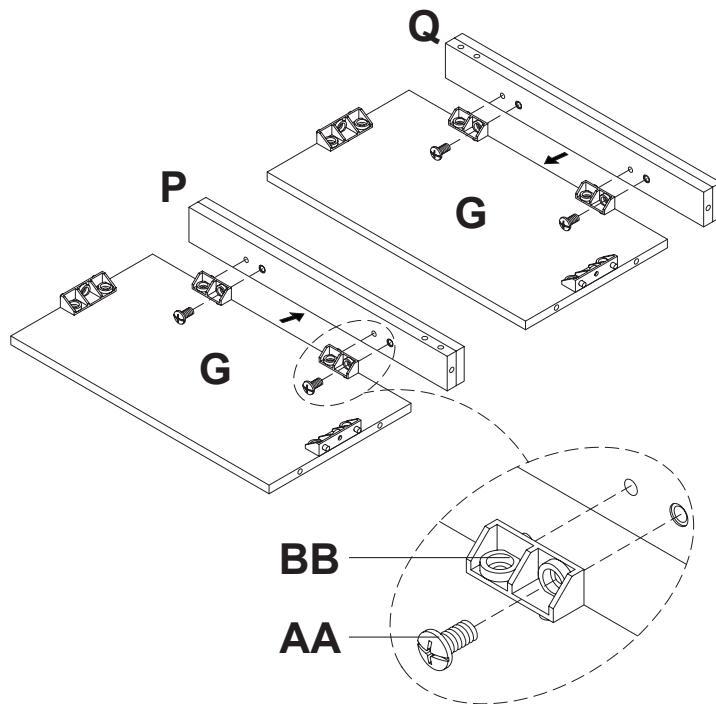
1. Line up and insert two wood dowels (DD) into the unthreaded holes in the side of the base panel (C). Line up the wood dowels (DD) with the unthreaded holes in the front apron panel (L). Press together until flush.
2. Line up the short and long connectors (BB & CC) in the base assembly (C) with the unthreaded holes in the rear apron panel (K). Press together until flush.
3. Insert five bolts (AA) into the short and long connectors (BB & CC) on the base assembly.
4. Attach the front and rear apron panels (L & K) by turning the bolts (AA) clockwise. Do not strip the bolts (AA) by overtightening.



Assembly (continued)

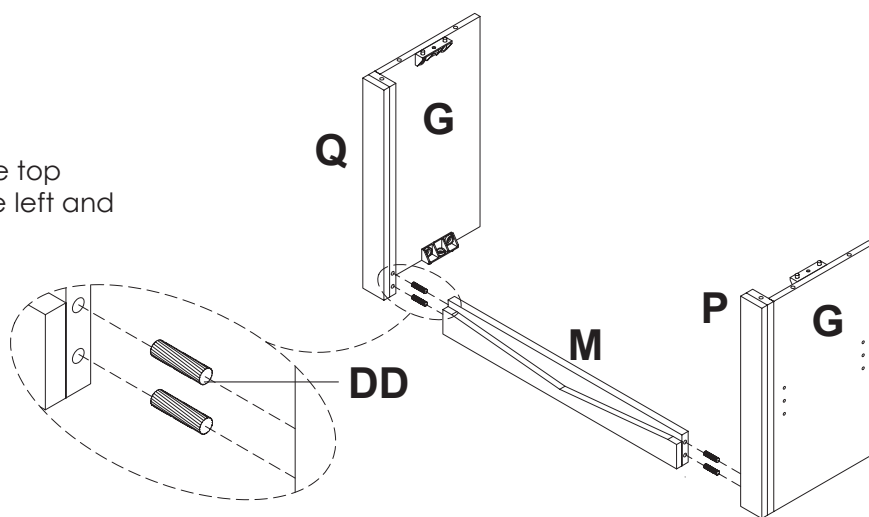
ATTACHING THE LEFT AND RIGHT TRIM PIECES

1. Line up the short connectors (BB) in the inner panels (G) with the unthreaded holes in the left and right trim pieces (P & Q). Press together until flush.
2. Insert four bolts (AA) into the short connectors (BB) on the inner panels where indicated.
3. Attach the left and right trim pieces (P & Q) by turning the bolts (AA) clockwise. Do not strip the bolts (AA) by overtightening.



ATTACHING THE INNER PANELS

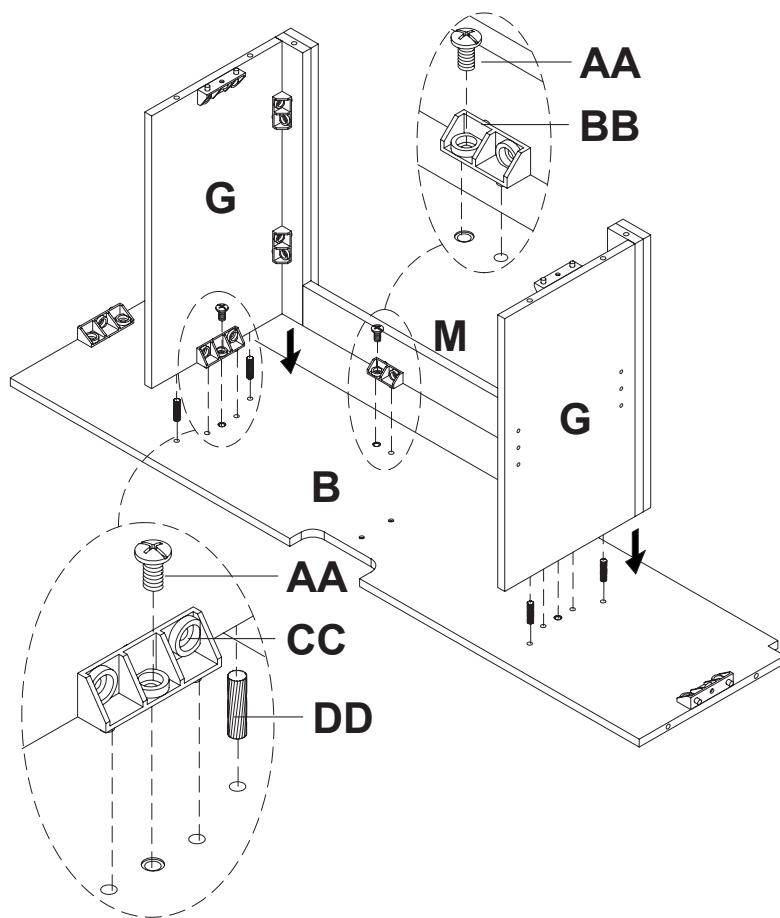
1. Insert four wood dowels (DD) into the unthreaded holes in the top trim (M).
2. Line up the four wood dowels (DD) in the top trim (M) with the unthreaded holes in the left and right trim pieces (P & Q).
3. Press together firmly until flush.



Assembly (continued)

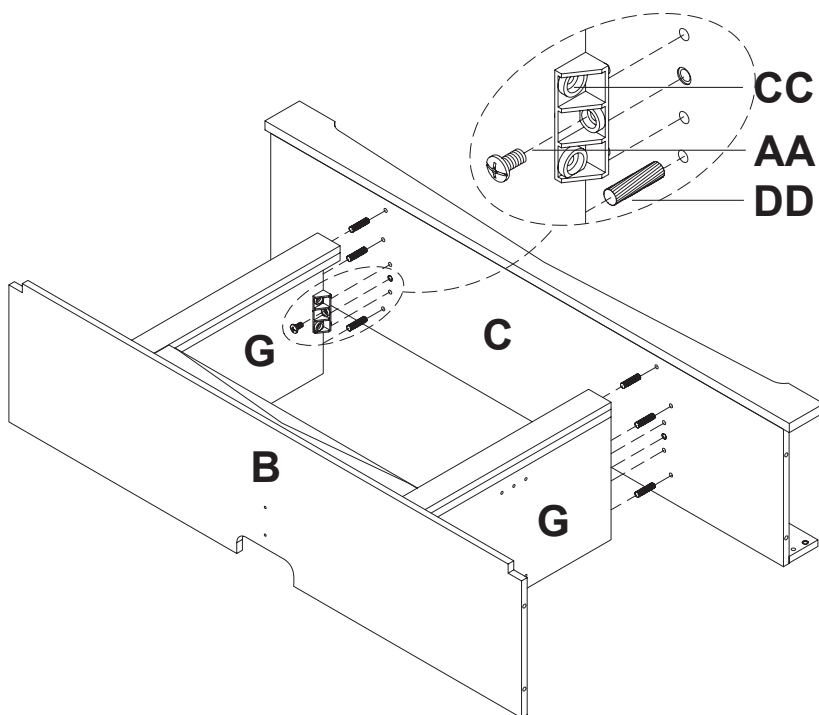
ATTACHING THE MEDIA SHELF

1. Insert four wood dowels (DD) in the unthreaded holes of the media shelf (B).
2. Line up the wood dowels (DD) in the media shelf (B) with the unthreaded holes in the left and right inner panels (G).
3. Line up the short and long connectors (BB & CC) attached to the inner panel assembly with the holes in the media shelf (B).
4. Press the inner panel assembly down firmly onto the media shelf until flush.
5. Insert four bolts (AA) into the short and long connectors (BB & CC) on the inner panel assembly.
6. Attach the inner panel assembly to the media shelf (B) by turning the bolts (AA) clockwise. Do not strip the bolts (AA) by overtightening.



ATTACHING THE BASE

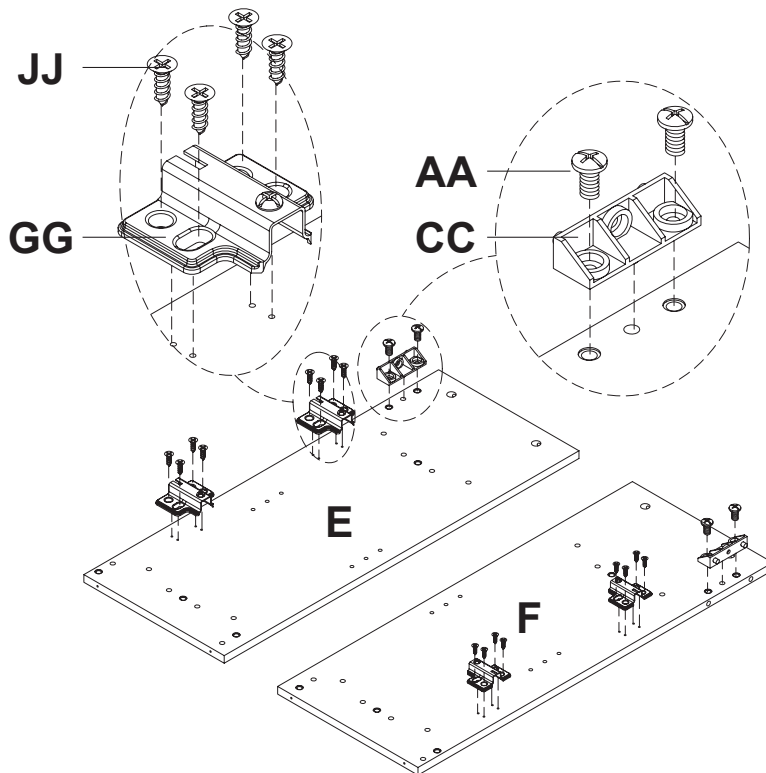
1. Insert six wood dowels (DD) into the unthreaded holes in the media shelf assembly.
2. Line up the wood dowels (DD) with the unthreaded holes in the base panel (C). Press together firmly until flush.
3. Attach the base panel (C) to the media shelf assembly by inserting two bolts (AA) through the long connectors (CC) on the inner panels (G) and turning clockwise. Do not strip the bolts (AA) by overtightening.



Assembly (continued)

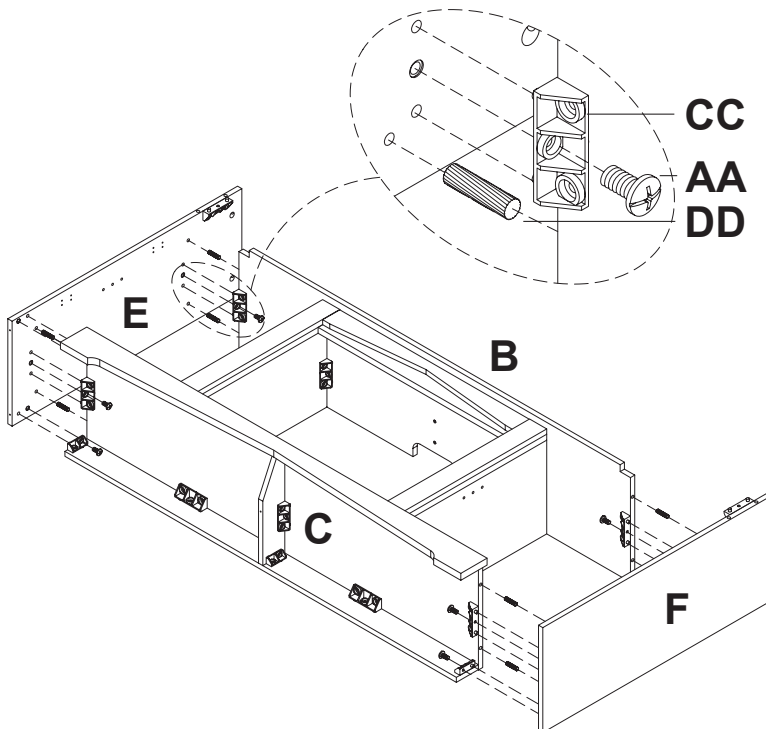
ATTACHING HARDWARE ONTO THE SIDE PANELS

1. Locate the left and right side panels (E & F) and place them on a soft surface to protect the finish.
2. Insert long connectors (CC) into the left and right side panels (E & F) where indicated. Press down firmly until flush.
3. Attach the long connectors (CC) by inserting and turning four bolts (AA) clockwise. Do not strip the bolts (AA) by overtightening.
4. Attach the four door hinge plates (GG) to the left and right side panels (E & F) by inserting and tightening sixteen hinge screws (JJ). Do not overtighten and strip the hinge screws (JJ).



ATTACHING THE SIDE PANELS

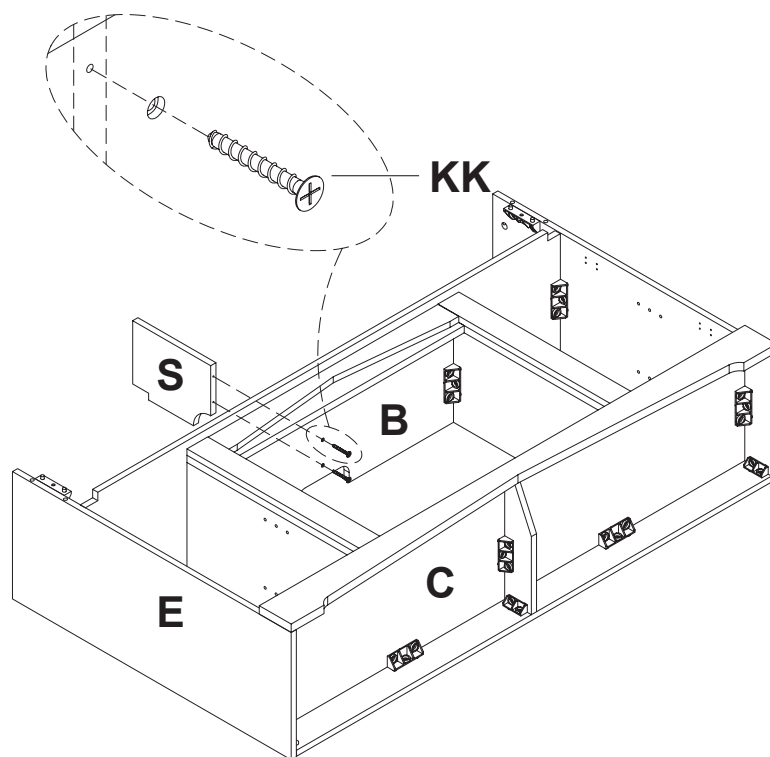
1. Insert eight wood dowels (DD) into the unthreaded holes in the sides of the media shelf (B) and the base panel (C).
2. Line up the wood dowels (DD) in the sides of the media shelf (B) and the base panel (C) with the unthreaded holes in the left and right side panels (E & F).
3. Line up the long connectors (CC) in the media shelf (B) and the base panel (C) with the holes in the left and right side panels (E & F).
4. Press the left and right side panels (E & F) firmly until flush with the media console assembly.
5. Attach the left and right side panels to the media console assembly by inserting eight bolts (AA) through the long connectors (CC) in the media shelf (B) and the base panel (C) and turning clockwise. Do not strip the bolts (AA) by overtightening.



Assembly (continued)

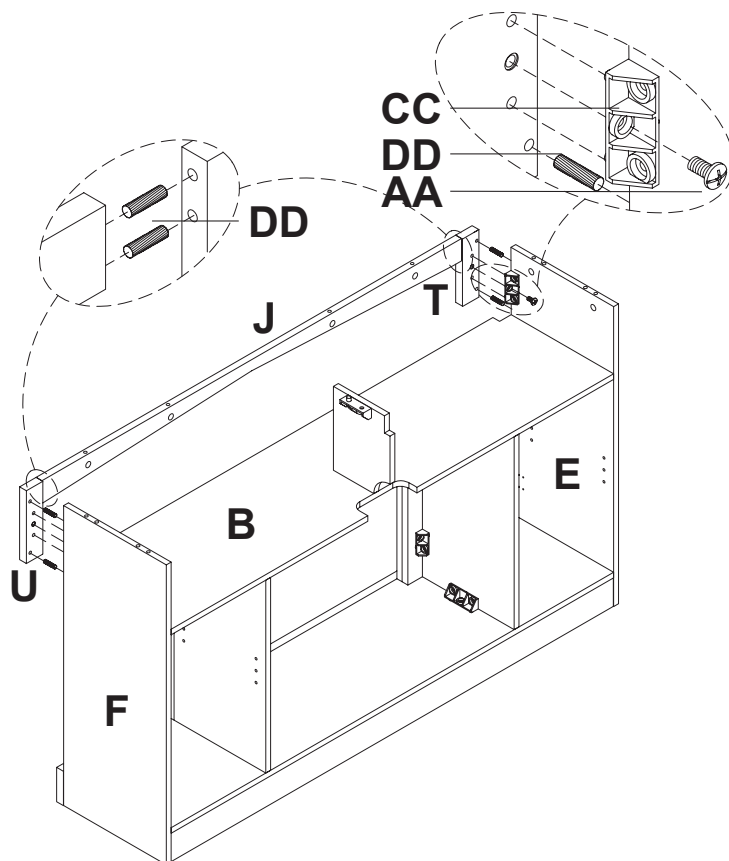
ATTACHING THE SUPPORT PANEL

1. Attach the support panel (S) to the media shelf (B) by lining up the holes in the bottom of the support panel (S) with the holes in the media shelf (B). Insert and tighten two screws (KK) through the media shelf (B) into the support panel (S).
2. Do not strip the screws (KK) by overtightening.



ATTACHING THE TOP RAIL

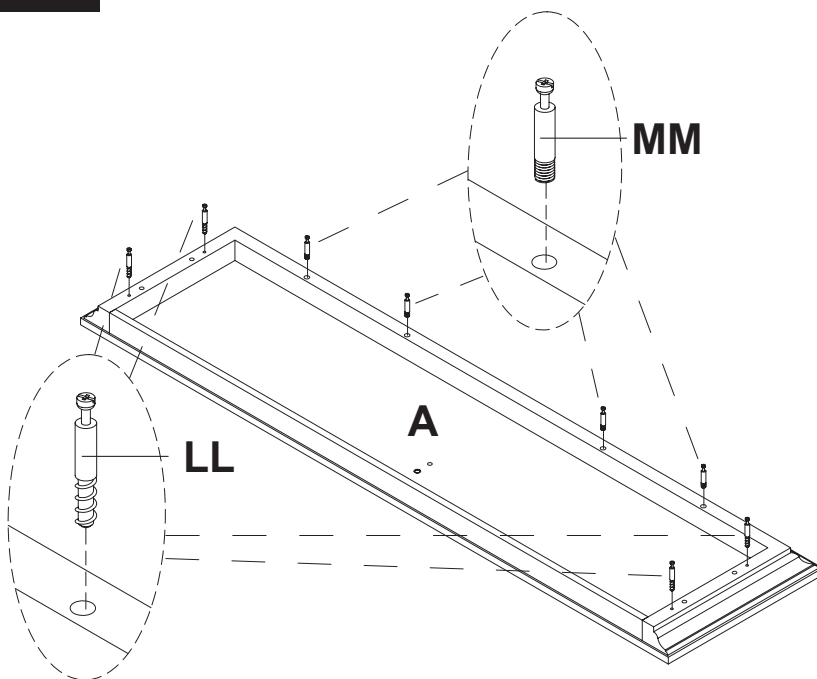
1. Insert four wood dowels (DD) into the unthreaded holes in the sides of the top rail (J).
2. Line up the wood dowels (DD) in the top rail (J) with the unthreaded holes in the sides of the left and right front panels (T & U). Press together firmly until flush.
3. Insert 4 wood dowels (DD) into the unthreaded holes on the back of the left and right front panels (T & U).
4. Line up the wood dowels (DD) in the left and right front panels (T & U) with the unthreaded holes in the left and right side panels (E & F).
5. Line up the long connectors (CC) in the left and right side panels (E & F) with the holes in the left and right front panels (T & U). Press together firmly until flush.
6. Attach the top rail assembly to the left and right side panels (E & F) by inserting two bolts (AA) through the long connectors (CC) in the left and right side panels (E & F) and turning clockwise. Do not strip the bolts (AA) by overtightening.



Assembly (continued)

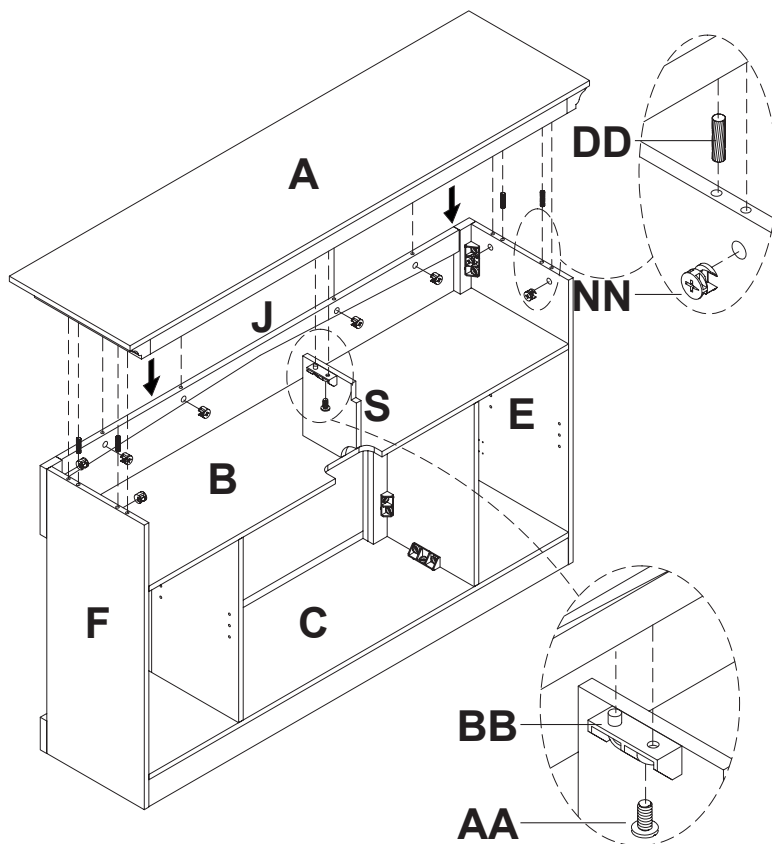
PREPARING THE TOP PANEL

1. Locate the top panel (A) and place it on a soft surface to protect the finish with the finished side facing down.
2. Insert four long cam lock dowels (LL) into the threaded holes in the sides of the top panel (A) by turning clockwise. Do not strip the long cam lock dowels (LL) by overtightening.
3. Insert four short cam lock dowels (MM) into the threaded holes in the front of the top panel (A) by turning clockwise. Do not strip the short cam lock dowels (MM) by overtightening.



ATTACHING THE TOP PANEL

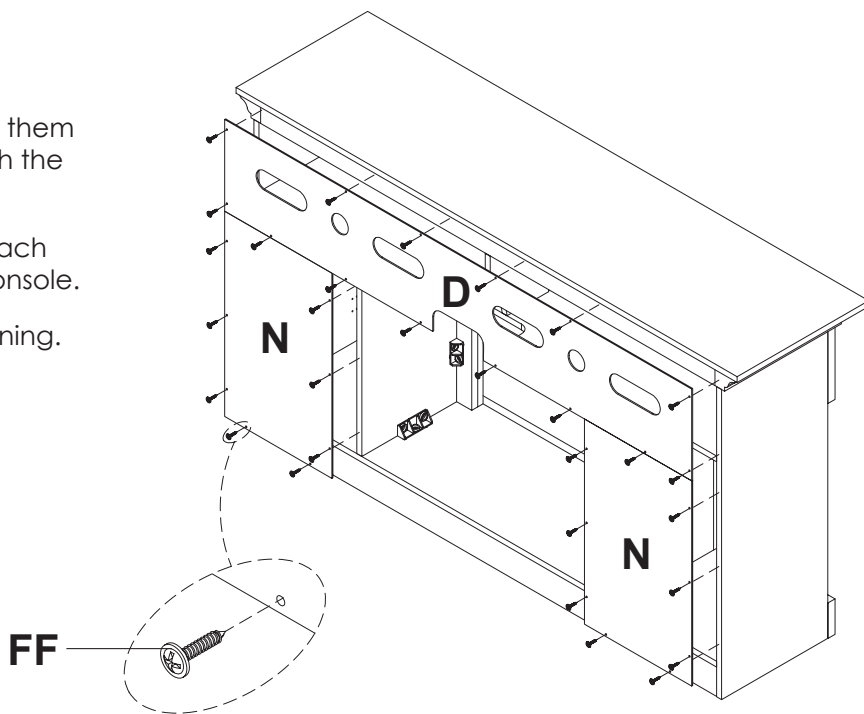
1. Insert four wood dowels (DD) into the unthreaded holes in the top of the left and right side panels (E & F). Line up the wood dowels (DD) in the side panels (E & F) with the unthreaded holes in the top panel (A).
2. Line up the long and short cam lock dowels (LL & MM) with the cam lock holes in the media console assembly. Push down on the top panel (A) until flush.
3. Insert eight metal cam locks (NN) into the cam lock holes in the left and right side panels (E & F) and the top rail (J).
4. Attach the top panel (A) to the media console assembly by turning the metal cam locks (NN) clockwise. Do not break the metal cam locks by overtightening.
5. Insert one bolt (AA) through the short connector (BB) on the support piece (S) and tighten by turning clockwise. Do not strip the bolt (AA) by overtightening.



Assembly (continued)

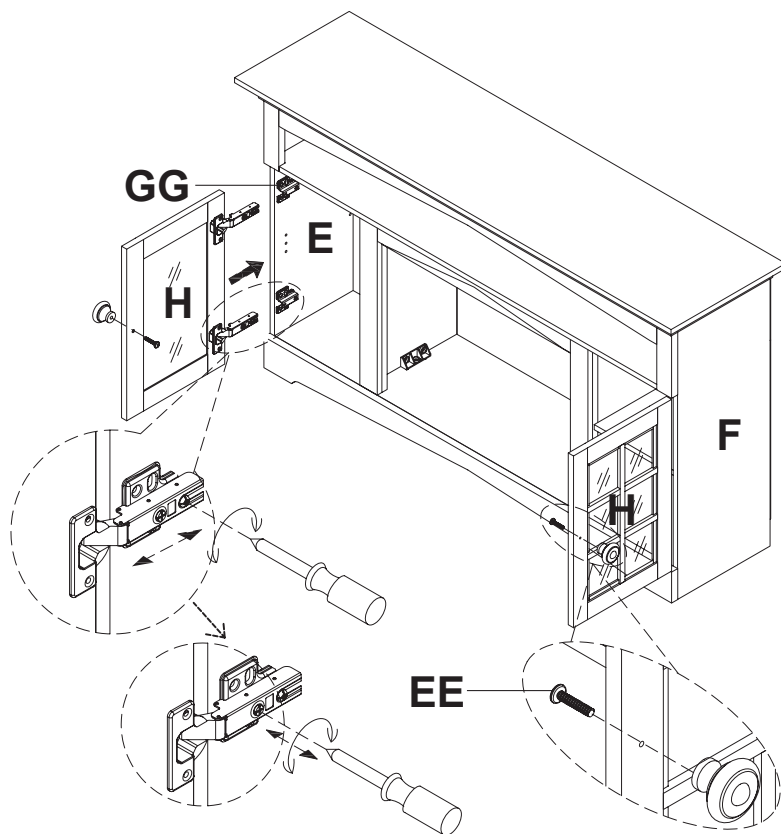
ATTACHING THE BACK PANELS

1. Locate the back panels (D & N) and line them up to the back of the media console with the finished side facing in.
2. Insert and tighten thirty screws (FF) to attach the back panels (D & N) to the media console.
3. Do not strip the screws (FF) by overtightening.



ATTACHING THE DOORS AND KNOBS

1. Loosen the screws in the hinge plates (GG) in the left and right side panels (E & F).
2. Line up the hinges in the left and right doors (H) with the hinge plates (GG) in the left and right side panels (E & F).
3. Tighten the screws to attach the hinges to the hinge plates (GG) on the left and right side panels (E & F). Do not strip the screws by overtightening.
4. Attach knobs (EE) to the left and right doors (H) by inserting the bolts through the doors (H) and turning clockwise into the knobs (EE). Do not strip the bolts by overtightening.

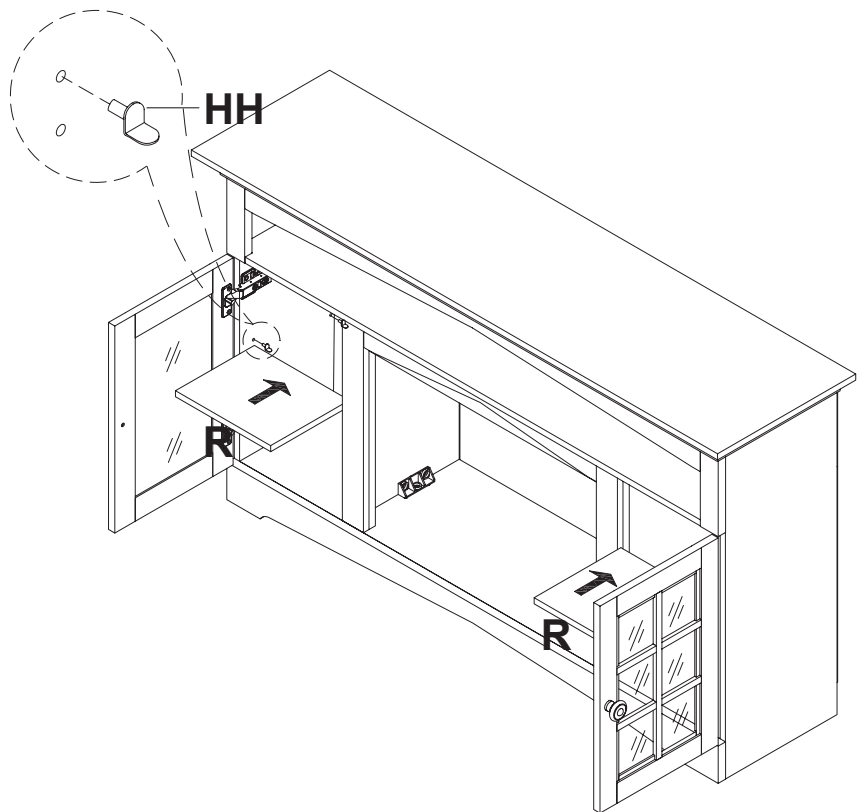


NOTE: The door's left/right and forward/back, positions are adjusted by turning the screws in the hinge pivot as shown in the illustration.

Assembly (continued)

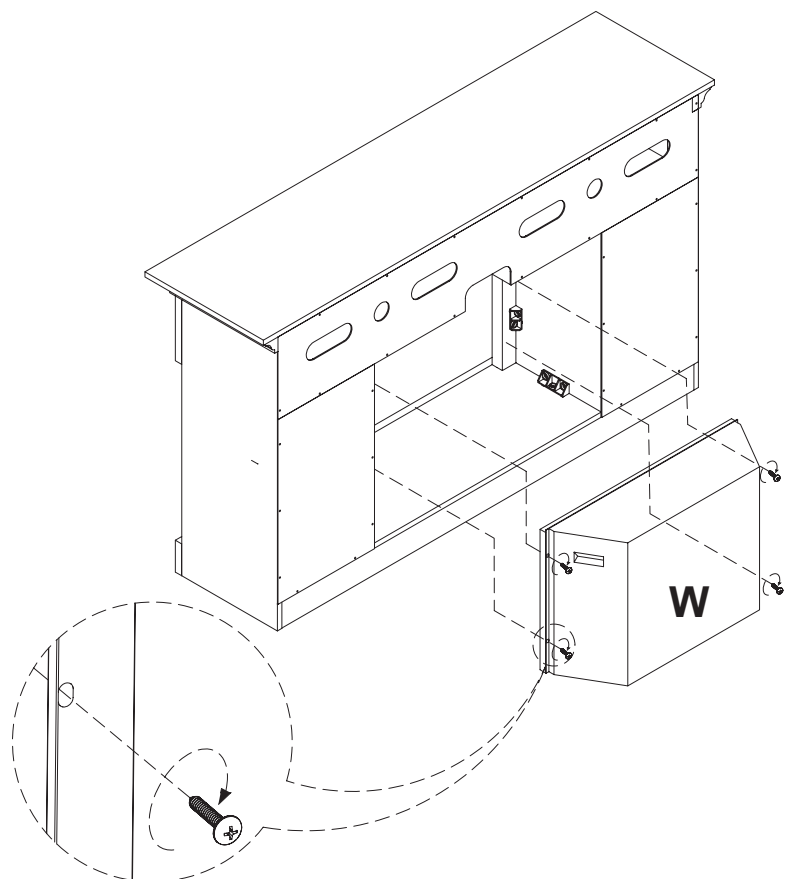
INSTALLING THE SHELVES

1. Locate the two shelves (R) and place them on a soft surface to protect the finish.
2. Insert the 8 shelf pins (HH) into the interior of the side panels (E, F & G). Be sure to insert the pins parallel to one another to ensure the shelves (R) are level.
3. Insert the shelves (R) onto the shelf pins (HH) with the finished side visible.



INSTALLING THE FIREBOX

1. Insert the firebox (W) into the media console through the back opening.
2. Push the firebox (W) forward through the front opening until the metal trim of the firebox (W) is flush with the left and right front panels (P & Q).
3. Once the firebox is in position insert and tighten the four screws provided with the firebox through the holes in the metal trim and into the left and right front panels (T & U).
4. Do not strip the screws by overtightening.



Troubleshooting

If you have any questions regarding the product, please call customer service at 1-877-447-4768 8:30 a.m. – 4:30 p.m. EST, Monday – Friday.

PROBLEM	POSSIBLE CAUSE	SOLUTION
Fireplace does not operate.	<ol style="list-style-type: none"> 1. The fireplace is not plugged in. 2. A circuit breaker is tripped or a fuse blown. 3. Defective ON/OFF switch. 4. Loose wiring. 	<ol style="list-style-type: none"> 1. Make sure the fireplace is plugged in to a standard 120V outlet. 2. Check additional appliances on the circuit; ideally the fireplace should be on a dedicated 15-amp circuit. 3. Call customer service: 1-877-447-4768. 4. Call customer service: 1-877-447-4768.
The power light is ON but the flame effect is not visible.	<ol style="list-style-type: none"> 1. The fireplace is not operating correctly. 2. LED strip not functioning. 3. Loose wiring. 	<ol style="list-style-type: none"> 1. Refer to operating instructions. 2. Call customer service: 1-877-447-4768. 3. Call customer service: 1-877-447-4768.
The heater is not operating.	<ol style="list-style-type: none"> 1. Incorrect operation. 2. The heater switch is defective. 3. The heater assembly is defective. 4. There is loose wiring. 5. The vents are dirty or clogged. 	<ol style="list-style-type: none"> 1. Refer to operating instructions. 2. Call customer service: 1-877-447-4768. 3. Call customer service: 1-877-447-4768. 4. Call customer service: 1-877-447-4768. 5. Unplug the unit. Clear the vent area of dust and debris. Wait ten minutes, plug the unit in again and turn on the heater.
Excessive noise when the heater is operating.	<ol style="list-style-type: none"> 1. Dirty or clogged blower. 2. The heater assembly is defective. 	<ol style="list-style-type: none"> 1. Refer to Maintenance of Motors in the Care and Maintenance section of the firebox manual. 2. Call customer service: 1-877-447-4768.
Power light is ON but the ember bed flame is not flickering.	<ol style="list-style-type: none"> 1. LED strip is not functioning. 2. Loose wiring. 	<ol style="list-style-type: none"> 1. Call customer service: 1-877-447-4768. 2. Call customer service: 1-877-447-4768.
Excessive noise when the flame is ON but the heater is OFF.	<ol style="list-style-type: none"> 1. The rotating flame reflector shaft rubbing against the housing. 2. The flame reflector shaft motor is defective. 	<ol style="list-style-type: none"> 1. Open the back of the firebox and reposition the flame reflector shaft. Turn off the unit prior to servicing. 2. Call customer service: 1-877-447-4768.

WARNING

This Product can expose you to chemicals including Formaldehyde which is known to the State of California to cause cancer and Benzene which is known to the State of California to cause developmental harm.

For more information go to www.p65Warnings.ca.gov

Care and Cleaning

1. Always turn the heater OFF and unplug the power cord from the outlet before cleaning.
2. Cleaning of the control panel, located in the upper right-hand corner of the fireplace is to be done only using a soft cloth, slightly dampened in water (if needed, a small amount of dish soap can be added to the water) and dried using a clean, dry soft cloth. Cleaning of the screen diffuser is to be done using only water and lint free cloth. DO NOT use any abrasive on the controls or the diffusing screen.

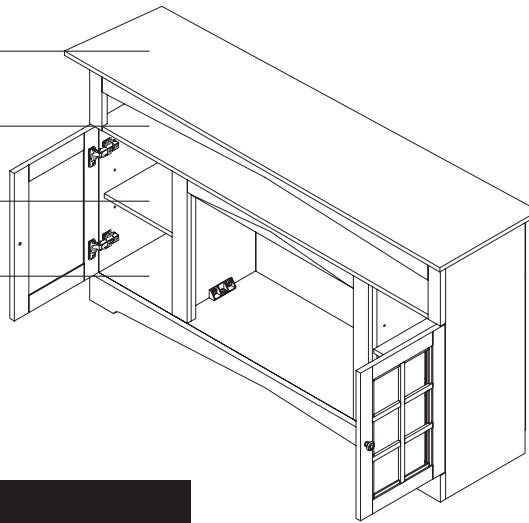
Shelf Weight Capacity

95 lbs (43.1 kg)

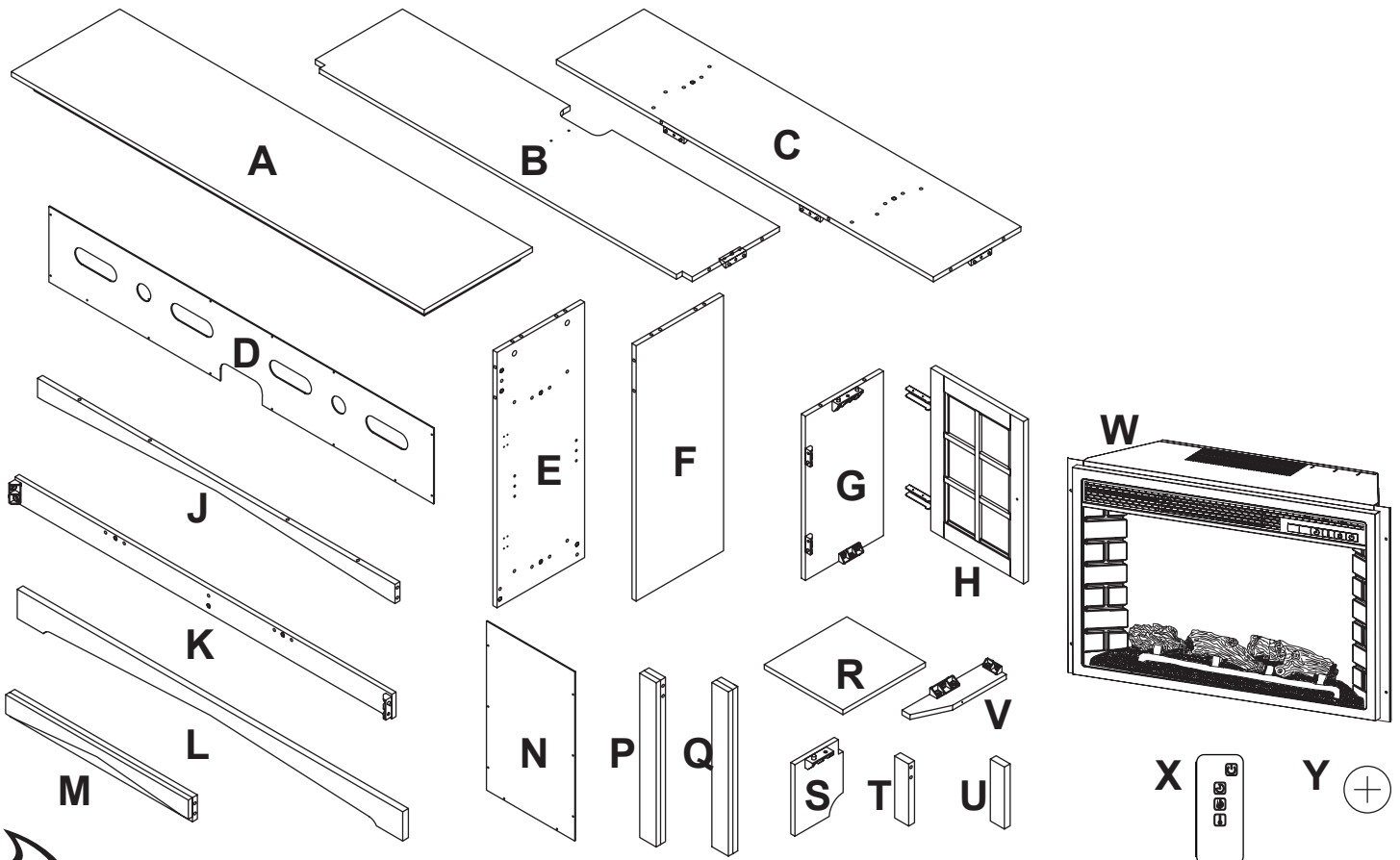
50 lbs (22.7 kg)

20 lbs (9.1 kg)

50 lbs (22.7 kg)



Service Parts



Service Parts (continued)

Part	Description	Quantity	Part Number 370-196-48 Espresso Finish	Part Number 370-196-204 White Finish
A	Top Panel	1	20-06-116	20-06-720
B	Media Shelf	1	20-06-117	20-06-721
C	Base Panel	1	20-06-118	20-06-722
D	Upper Back Panel	1	20-06-119	20-06-723
E	Left Side Panel	1	20-06-120	20-06-724
F	Right Side Panel	1	20-06-121	20-06-725
G	Inside Panel	2	20-06-122	20-06-726
H	Cabinet Door	2	20-06-123	20-06-727
J	Top Rail	1	20-06-124	20-06-728
K	Rear Apron Panel	1	20-06-125	20-06-729
L	Front Apron Panel	1	20-06-126	20-06-730
M	Top Trim	1	20-06-127	20-06-731
N	Side Back Panel	2	20-06-128	20-06-732
P	Left Trim	1	20-06-129	20-06-733
Q	Right Trim	1	20-06-130	20-06-734
R	Adjustable Shelf	2	20-06-131	20-06-735
S	Support Panel	1	20-06-132	20-06-736
T	Left Front Panel	1	20-06-133	20-06-737
U	Right Front Panel	1	20-06-134	20-06-738
V	Support Leg	1	20-06-135	20-06-739
W	Firebox	1	27-800-001	
X	Firebox Remote Control	1	EF33510AS-15	
	Hardware Pack	1	20-09-550	
	Manual	1	20-10-306	

Muskoka®

Muskoka® is a registered trademark of GHP Group Inc.



1-877-447-4768 • www.ghpgroupinc.com



Table des matières

Table des matières	17	Contenu de l'emballage	19
Garantie	17	Assemblage	20
Assemblage préalable	18	Dépannage	29
Planification de l'assemblage	18	Entretien et nettoyage	30
Outils requis	18	Capacité de charge de la tablette	30
Matériel inclus	18	Pièces de rechange	30

Garantie limitée d'un (1) an

CE QUI EST COUVERT

Le fabricant garantit que votre nouveau foyer électrique est exempt de défauts de matériau et de fabrication pour une période d'un an à compter de la date d'achat, sous réserve des conditions et limitations suivantes.

Ce foyer électrique doit être installé et fonctionner en tout temps conformément aux instructions fournies avec le produit. Toute altération, abus volontaire, accident ou mauvais usage du produit annulera cette garantie. Cette garantie n'est pas transférable et est faite au propriétaire d'origine, à condition que l'achat ait été effectué par l'intermédiaire d'un fournisseur autorisé par le fabricant. Cette garantie est limitée à la réparation ou au remplacement de la pièce qui comporte un défaut de matériau ou de fabrication, à condition que cette pièce ait été soumise à des conditions normales d'utilisation et d'entretien, après que ledit défaut soit confirmé par l'inspection du fabricant. Le fabricant peut, à sa discrétion, assumer pleinement toutes ses obligations à l'égard de cette garantie en remboursant le prix de gros de la pièce défectueuse.

CE QUI N'EST PAS COUVERT

Tous frais d'installation, de main-d'œuvre, de fabrication, de transport ou tous frais ou dépenses connexes occasionnés par des pièces défectueuses, leur réparation, leur remplacement ou toute autre action de nature similaire, ne sont pas couverts par cette garantie, et le fabricant ne peut en aucun cas en être tenu responsable. En outre, le fabricant ne pourra être tenu responsable de tous dommages immatériels ou indirects, sauf dans les cas prévus par la loi.

Toutes les autres garanties - expresses ou implicites - en ce qui a trait au produit, ses composants et accessoires, ou toutes les obligations ou responsabilités de la part du fabricant sont expressément exclues. Le fabricant n'assume, et n'autorise aucun tiers à assumer en son nom, toute autre responsabilité relativement à la vente de ce produit. Les garanties décrites dans le présent document ne s'appliquent pas aux accessoires, autres que ceux du fabricant, utilisés en conjonction avec l'installation de ce produit.

Cette garantie ne couvre pas les ampoules fournies avec le foyer.

Cette garantie est nulle si : le foyer a été utilisé dans une atmosphère contaminée par du chlore, du fluor ou d'autres produits chimiques nuisibles; le foyer a été soumis à l'humidité et à la condensation pendant des périodes prolongées; le foyer a été modifié, sciemment malmené, endommagé par accident, utilisé abusivement de quelque façon que ce soit.


Si une réparation sous garantie est nécessaire, contactez l'équipe du Service à la clientèle au 1-800-986-3460 de 8 h à 18 h, heure normale de l'Est, du lundi au vendredi, ou visitez le www.homedepot.com/hdc.

Assurez-vous d'avoir votre garantie, votre reçu de vente et le modèle/numéro de série de votre produit.

NE PAS TENTER DE FAIRE TOUTE RÉPARATION VOUS-MÊME. VEUILLEZ CONTACTER LE SERVICE À LA CLIENTÈLE AU :

 1-877-447-4768 du lundi au vendredi, de 8 h 30 à 16 h 30 h (HNE)

Site web : www.ghpgroupinc.com

 Courriel : customerservice@ghpgroupinc.com

Au Canada : 271 Massey Road, Guelph, Ontario, Canada, N1K 1B2

Aux États-Unis : 6440 W. Howard Street, Niles, Illinois U.S.A. 60714



Assemblage préalable

PLANIFICATION DE L'ASSEMBLAGE

Avant de commencer l'assemblage, repérez les instructions et le matériel. Comparez toutes les pièces aux listes de matériel inclus et de contenu de l'emballage. Assurez-vous d'avoir toutes les pièces et de pouvoir les identifier. Il est toujours pratique d'avoir un coup de main. Assemblez votre manteau avec l'aide d'un adulte, si possible. Certaines pièces sont lourdes et devront être tenues par une autre personne. Le temps d'assemblage est d'environ 30 à 60 minutes.

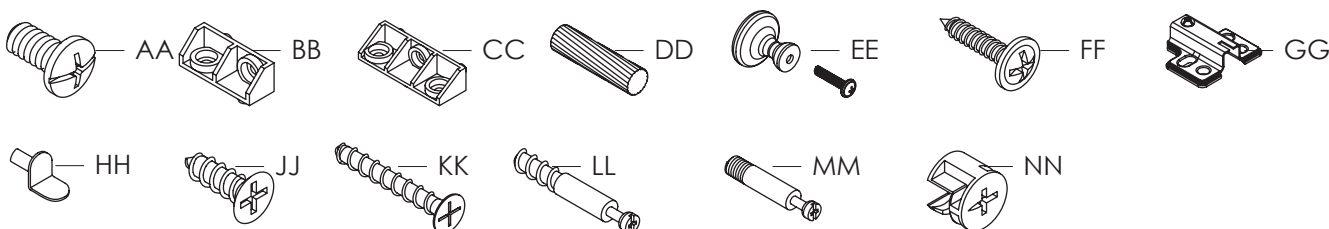
Avant l'assemblage, utilisez des ciseaux pour débarrasser les pièces. N'utilisez pas de couteau à lame rétractable ni de stylet, car vous pourriez couper à travers les pièces du manteau dans la boîte et endommager le fini. Cherchez le sac rouge de matériel à l'intérieur de l'emballage. Ne jetez aucune pièce. Utilisez un tournevis approprié pour insérer et serrer toutes les vis.

OUTILS REQUIS (NON INCLUS)



MATÉRIEL INCLUS

REMARQUE : Matériel non représenté à la taille réelle.

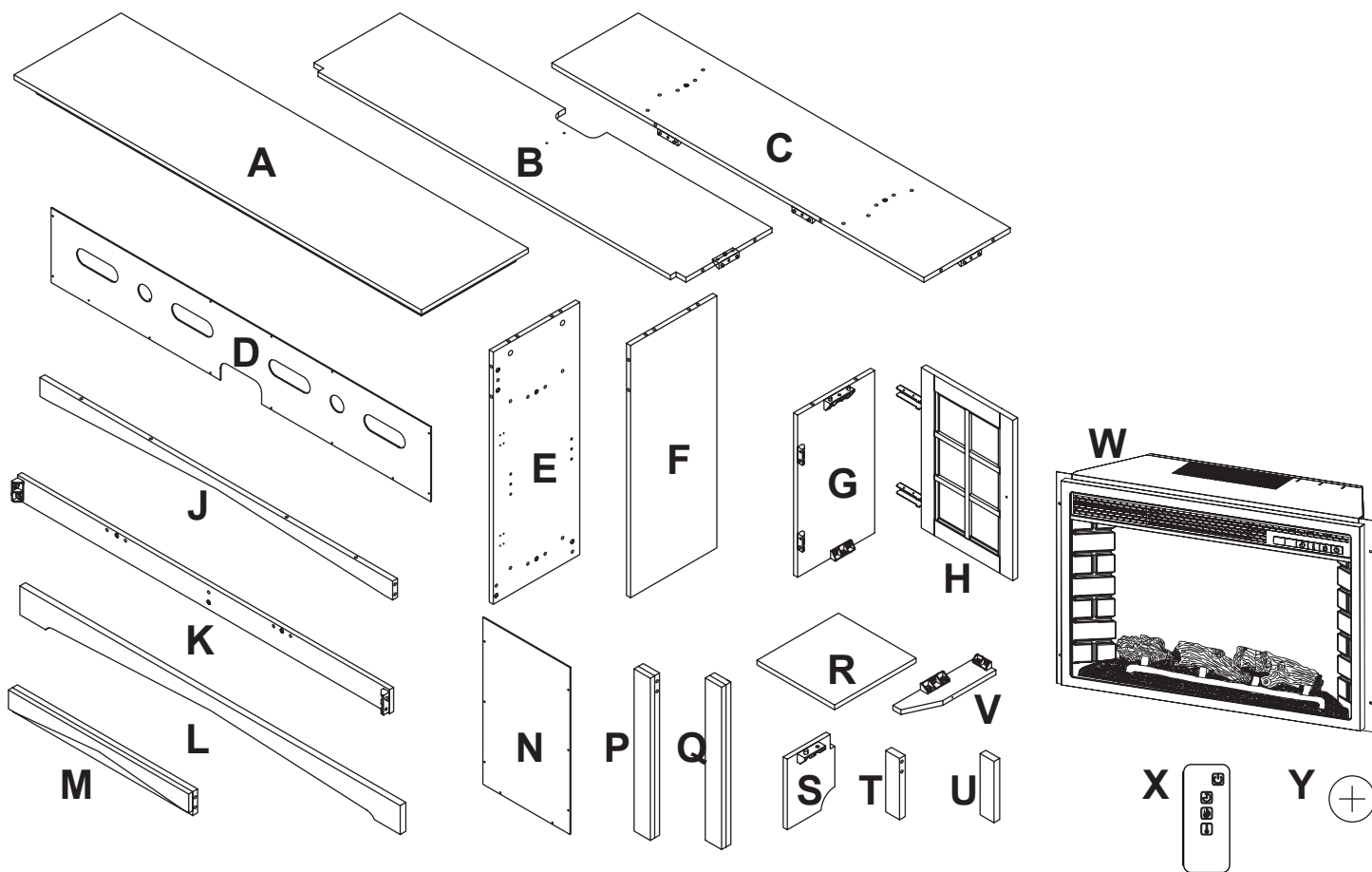


Pièce	Description	Quantité
AA	Boulon	33
BB	Ferrure d'assemblage courte	2
CC	Ferrure d'assemblage longue	2
DD	Goujon	36
EE	Bouton	2
FF	Vis du panneau arrière	30
GG	Lame de charnière	4

Pièce	Description	Quantité
HH	Support à tablette	8
JJ	Vis à charnière	16
KK	Vis	2
LL	Grand goujon pour ferrure excentrique	4
MM	Petit goujon pour ferrure excentrique	4
NN	Boîtier excentrique	8

Assemblage préalable (suite)

CONTENU DE L'EMBALLAGE



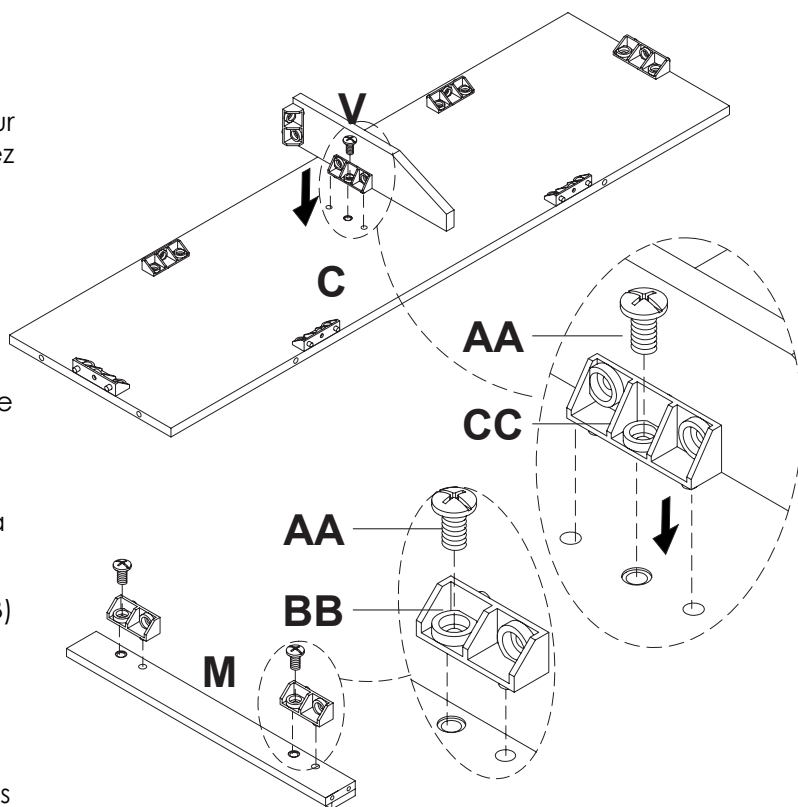
Pièce	Description	Quantité
A	Panneau du haut	1
B	Tablette pour appareils électroniques	1
C	Panneau inférieur	1
D	Panneau arrière supérieur	1
E	Panneau latéral gauche	1
F	Panneau latéral droit	1
G	Panneau intérieur	2
H	Porte d'armoire	2
J	Rail supérieur	1
K	Plinthe arrière	1
L	Plinthe avant	1
M	Garniture supérieure	1

Pièce	Description	Quantité
N	Panneau latéral arrière	2
P	Garniture gauche	1
Q	Garniture droite	1
R	Tablette réglable	2
S	Panneau de soutien	1
T	Panneau avant gauche	1
U	Panneau avant droit	1
V	Pied-support	1
W	Foyer	1
X	Télécommande du foyer	1
Y	Pile bouton	1

Assemblage

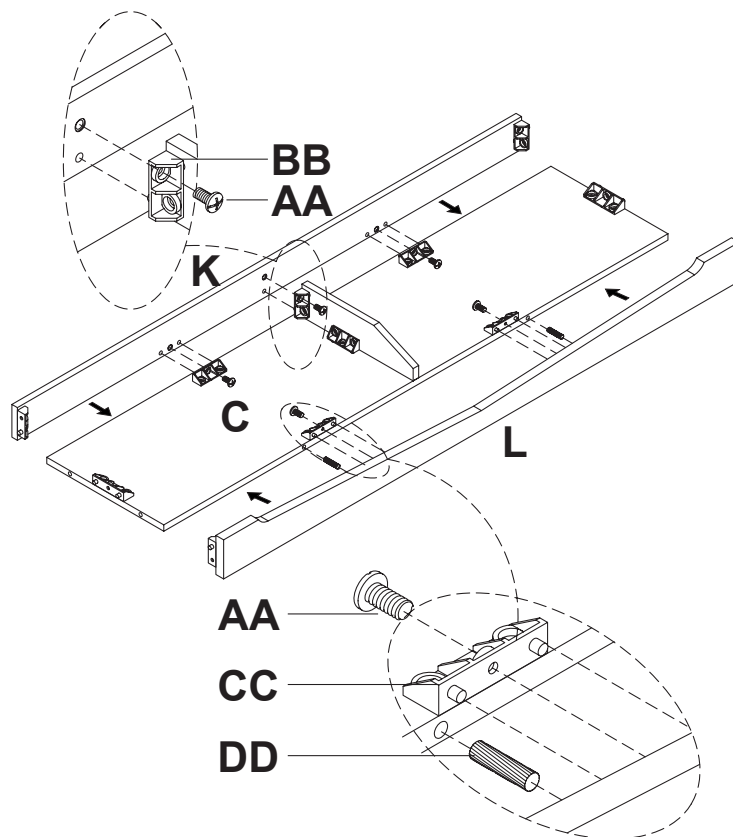
FIXER LE PIED-SUPPORT ET LES FERRURES D'ASSEMBLAGE

1. Trouvez le panneau inférieur (C) et placez-le sur une surface douce pour protéger le fini. Alignez et insérez les ferrures d'assemblage longues (CC) sur le pied-support (V) dans les trous qui ne sont pas filetés au centre du panneau inférieur (C).
2. Fixez le pied-support (V) au panneau inférieur (C) en insérant un boulon (AA) dans la ferrure d'assemblage longue (CC) en tournant dans le sens horaire. Évitez d'abîmer le boulon (AA) en serrant trop fort.
3. Trouvez la garniture supérieure (M) et placez-la sur une surface douce pour protéger le fini.
4. Insérez deux ferrures d'assemblage courtes (BB) dans la garniture supérieure (M) aux endroits indiqués. Appuyez fermement jusqu'à ce qu'elles soient bien à plat sur la surface.
5. Fixez les ferrures d'assemblage courtes (BB) en insérant deux boulons (AA) et en tournant dans le sens horaire. Évitez d'abîmer les boulons (AA) en serrant trop fort.



FIXER LES PANNEAUX AVANT ET ARRIÈRE À LA BASE

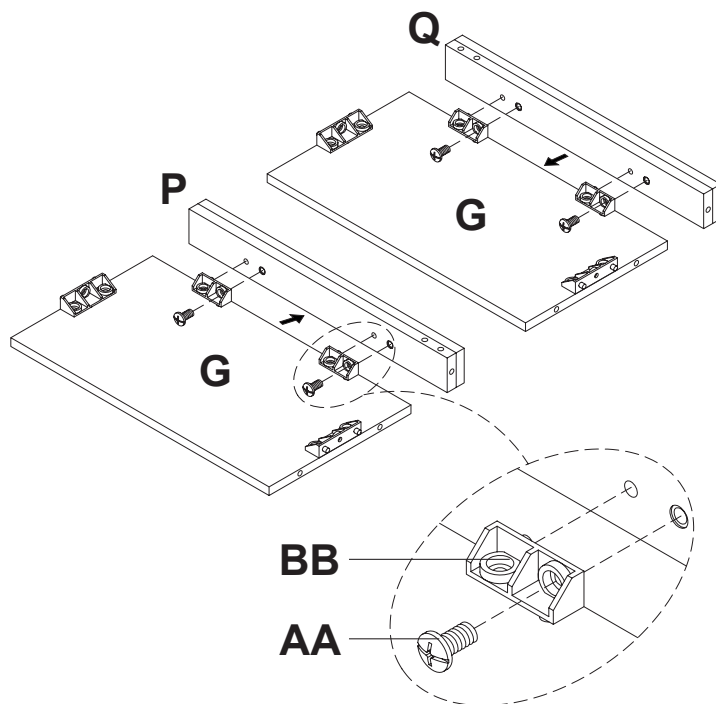
1. Alignez et insérez deux goujons en bois (DD) dans les trous qui ne sont pas filetés dans le côté du panneau inférieur (C). Alignez les goujons en bois (DD) dans les trous qui ne sont pas filetés dans la plinthe avant (L). Pressez le panneau et la plinthe ensemble jusqu'à ce qu'ils soient bien collés.
2. Alignez les ferrures d'assemblage courtes et longues (BB et CC) insérées dans la base (C) dans les trous qui ne sont pas filetés de la plinthe arrière (K). Pressez la base et la plinthe ensemble jusqu'à ce qu'elles soient bien collées.
3. Insérez cinq boulons (AA) dans les ferrures d'assemblage courtes et longues (BB et CC) sur la base.
4. Fixez les plinthes avant et arrière (K et L) en tournant les boulons (AA) dans le sens horaire. Évitez d'abîmer les boulons (AA) en serrant trop fort.



Assemblage (suite)

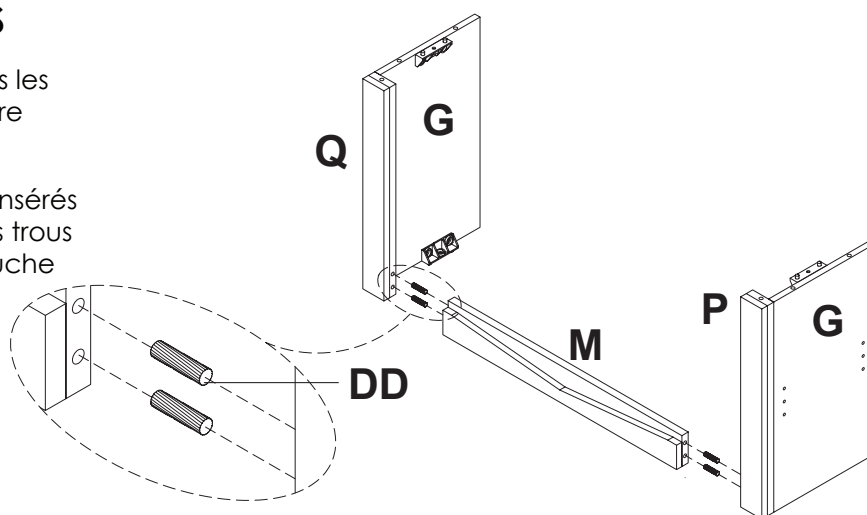
FIXER LES GARNITURES GAUCHE ET DROITE

1. Alignez les ferrures d'assemblage courtes (BB) insérées dans les panneaux intérieurs (G) dans les trous qui ne sont pas filetés des garnitures gauche et droite (P et Q). Pressez les panneaux et les garnitures ensemble jusqu'à ce qu'ils soient bien collés.
2. Insérez quatre boulons (AA) dans les ferrures d'assemblage courtes (BB) sur les panneaux intérieurs aux endroits indiqués.
3. Fixez les garnitures gauche et droite (P et Q) en tournant les boulons (AA) dans le sens horaire. Évitez d'abîmer les boulons (AA) en serrant trop fort.



FIXER LES PANNEAUX INTÉRIEURS

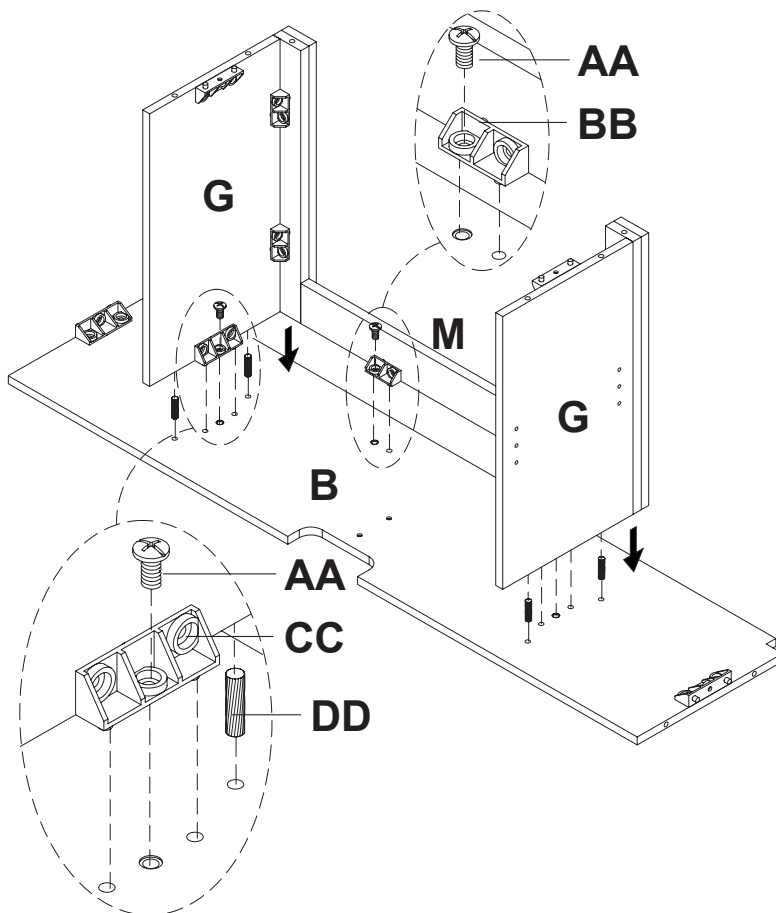
1. Insérez quatre goujons en bois (DD) dans les trous qui ne sont pas filetés de la garniture supérieure (M).
2. Alignez les quatre goujons en bois (DD) insérés dans la garniture supérieure (M) dans les trous qui ne sont pas filetés des garnitures gauche et droite (P et Q).
3. Pressez les garnitures fermement ensemble jusqu'à ce qu'elles soient bien collées.



Assemblage (suite)

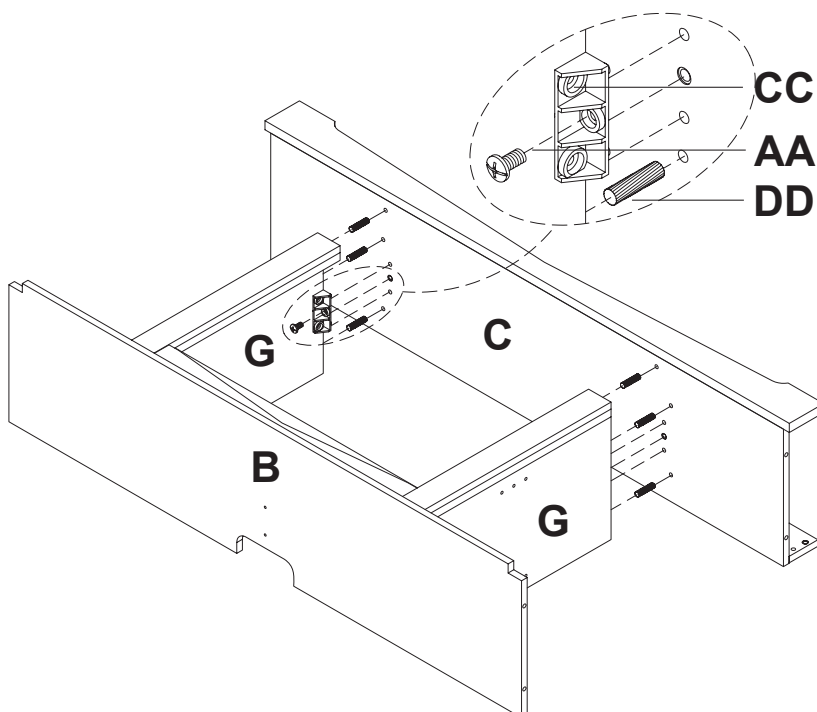
FIXER LA TABLETTE POUR APPAREILS ÉLECTRONIQUES

1. Insérez quatre goujons en bois (DD) dans les trous qui ne sont pas filetés de la tablette pour appareils électroniques (B).
2. Alignez les goujons en bois (DD) insérés dans la tablette pour appareils électroniques (B) dans les trous qui ne sont pas filetés des panneaux intérieurs gauche et droit (G).
3. Alignez les ferrures d'assemblage courtes et longues (BB et CC) fixées à l'assemblage de panneaux intérieurs dans les trous de la tablette pour appareils électroniques (B).
4. Pressez fermement l'assemblage de panneaux intérieurs sur la tablette jusqu'à ce qu'il soit bien à plat sur la surface.
5. Insérez quatre boulons (AA) dans les ferrures d'assemblage courtes et longues (BB et CC) sur l'assemblage de panneaux intérieurs.
6. Fixez l'assemblage de panneaux intérieurs sur la tablette pour appareils électroniques (B) en tournant les boulons (AA) dans le sens horaire. Évitez d'abîmer les boulons (AA) en serrant trop fort.



FIXER LA BASE

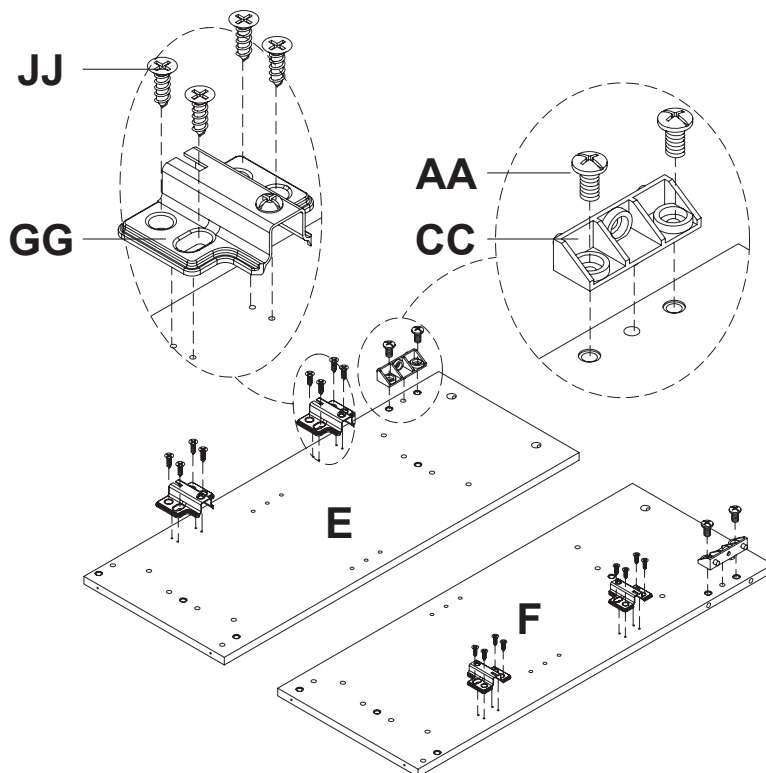
1. Insérez six goujons en bois (DD) dans les trous qui ne sont pas filetés dans l'assemblage de la tablette pour appareils électroniques.
2. Alignez les goujons en bois (DD) dans les trous qui ne sont pas filetés du panneau inférieur (C). Pressez l'assemblage de la tablette et le panneau fermement ensemble jusqu'à ce qu'ils soient bien collés.
3. Fixez le panneau inférieur (C) à l'assemblage de la tablette pour appareils électroniques en insérant deux boulons (AA) dans les ferrures d'assemblage longues (CC) sur les panneaux intérieurs (G) et en tournant dans le sens horaire. Évitez d'abîmer les boulons (AA) en serrant trop fort.



Assemblage (suite)

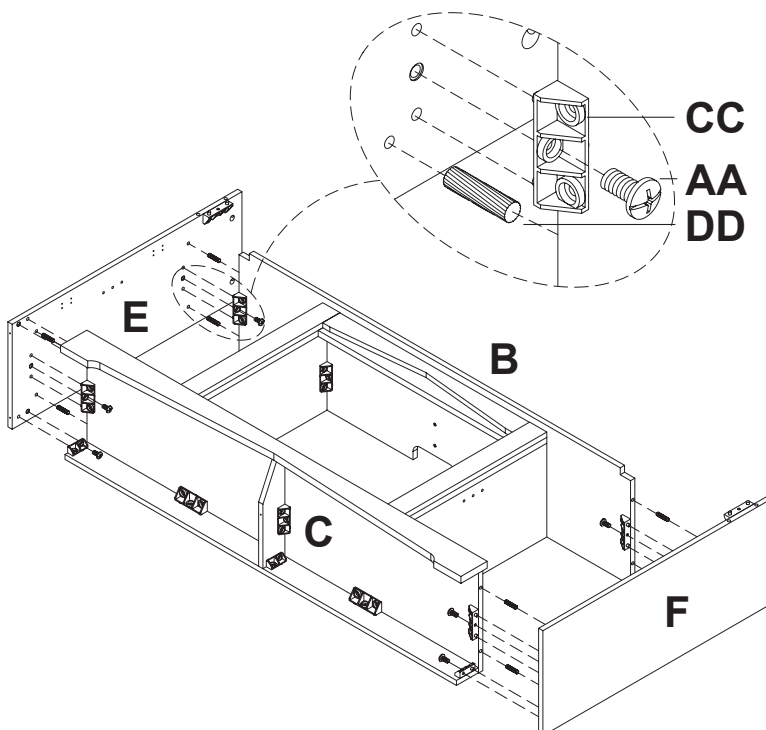
FIXER LE MATÉRIEL SUR LES PANNEAUX LATÉRAUX

1. Trouvez les panneaux latéraux gauche et droit (E et F) et placez-les sur une surface douce pour protéger le fini.
2. Insérez les ferrures d'assemblage longues (CC) dans les panneaux latéraux gauche et droit (E et F) aux endroits indiqués. Appuyez fermement jusqu'à ce qu'elles soient bien à plat sur la surface.
3. Fixez les ferrures d'assemblage longues (CC) en insérant et en tournant les quatre boulons (AA) dans le sens horaire. Évitez d'abîmer les boulons (AA) en serrant trop fort.
4. Fixez les quatre lames de charnières (GG) aux panneaux latéraux gauche et droit (E et F) en insérant et en serrant seize vis à charnière (JJ). Évitez d'abîmer les vis à charnière (JJ) en serrant trop fort.



FIXER LES PANNEAUX LATÉRAUX

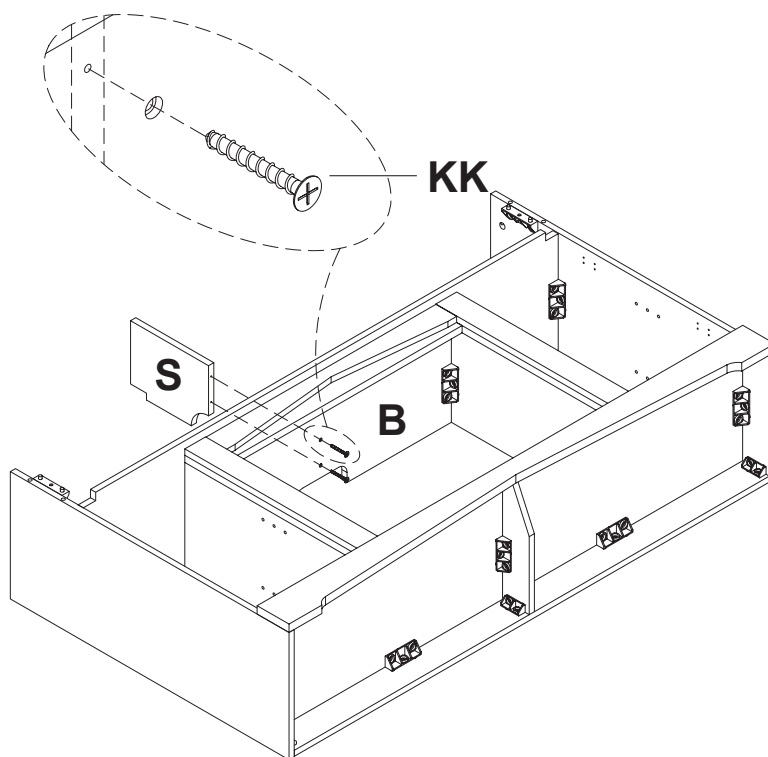
1. Insérez huit goujons en bois (DD) dans les trous qui ne sont pas filetés sur les côtés de la tablette pour appareils électroniques (B) et du panneau inférieur (C).
2. Alignez les goujons en bois (DD) sur les côtés de la tablette pour appareils électroniques (B) et le panneau inférieur (C) dans les trous qui ne sont pas filetés des panneaux latéraux gauche et droit (E et F).
3. Alignez les ferrures d'assemblage longues (CC) sur la tablette pour appareils électroniques (B) et le panneau inférieur (C) dans les trous des panneaux latéraux gauche et droit (E et F).
4. Pressez les panneaux latéraux gauche et droit (E et F) fermement jusqu'à ce qu'ils soient bien collés à l'assemblage du meuble pour appareils électroniques.
5. Fixez les panneaux latéraux gauche et droit à l'assemblage du meuble pour appareils électroniques en insérant huit boulons (AA) dans les ferrures d'assemblage longues (CC) de la tablette pour appareils électroniques (B) et du panneau inférieur (C) et en tournant dans le sens horaire. Évitez d'abîmer les boulons (AA) en serrant trop fort.



Assemblage (suite)

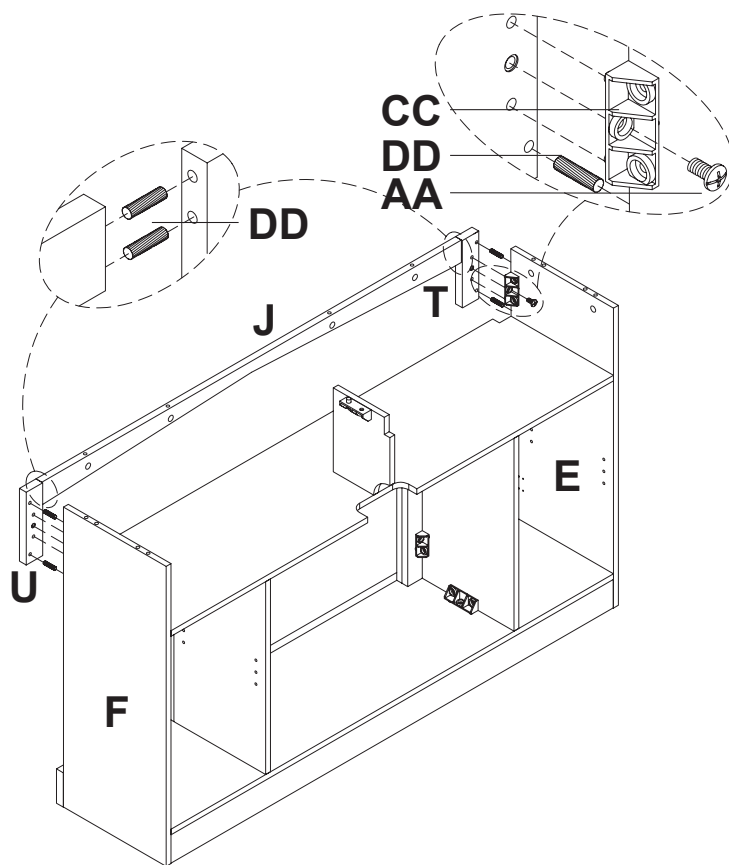
FIXER LE PANNEAU DE SOUTIEN

1. Fixez le panneau de soutien (S) à la tablette pour appareils électroniques (B) en alignant les trous au bas du panneau de soutien (S) avec les trous de la tablette pour appareils électroniques (B). Insérez et serrez deux vis (KK) de la tablette pour appareils électroniques (B) dans le panneau de soutien (S).
2. Évitez d'abîmer les vis (KK) en serrant trop fort.



FIXER LE RAIL SUPÉRIEUR

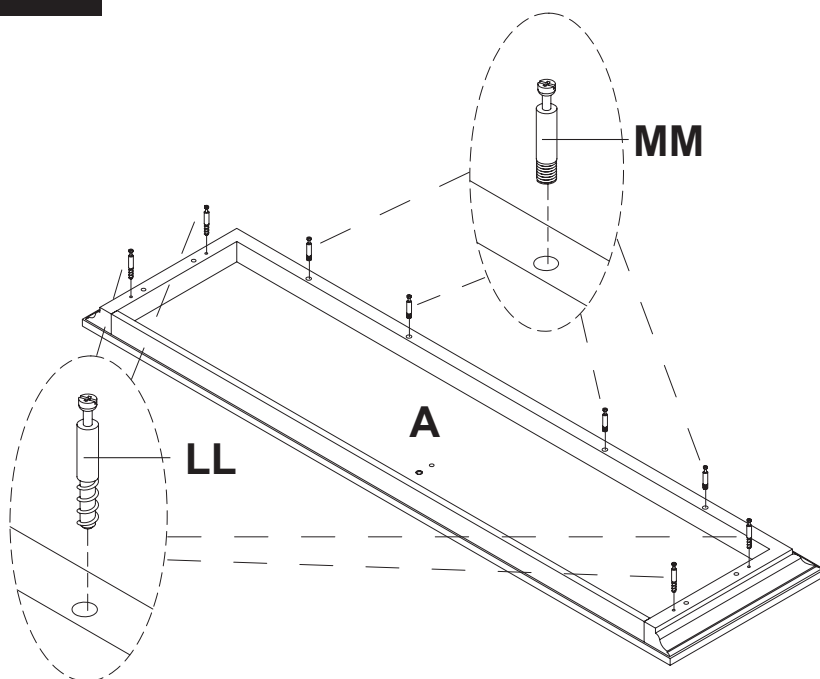
1. Insérez quatre goujons en bois (DD) dans les trous qui ne sont pas filetés sur les côtés du rail supérieur (J).
2. Alignez les goujons en bois (DD) insérés dans le rail supérieur (J) dans les trous qui ne sont pas filetés des panneaux avant gauche et droit (T et U). Pressez le rail et les panneaux fermement ensemble jusqu'à ce qu'ils soient bien collés.
3. Insérez quatre goujons en bois (DD) dans les trous qui ne sont pas filetés des panneaux avant gauche et droit (T et U).
4. Alignez les goujons en bois (DD) insérés dans les panneaux avant gauche et droit (T et U) dans les trous qui ne sont pas filetés des panneaux latéraux gauche et droit (E et F).
5. Alignez les ferrures d'assemblage longues (CC) insérées dans les panneaux latéraux gauche et droit (E et F) avec les trous des panneaux avant gauche et droit (T et U). Pressez les panneaux fermement ensemble jusqu'à ce qu'ils soient bien collés.
6. Fixez l'assemblage du rail supérieur aux panneaux latéraux gauche et droit (E et F) en insérant deux boulons (AA) dans les ferrures d'assemblage longues (CC) insérées dans les panneaux latéraux gauche et droit (E et F) et en tournant dans le sens horaire. Évitez d'abîmer les boulons (AA) en serrant trop fort.



Assemblage (suite)

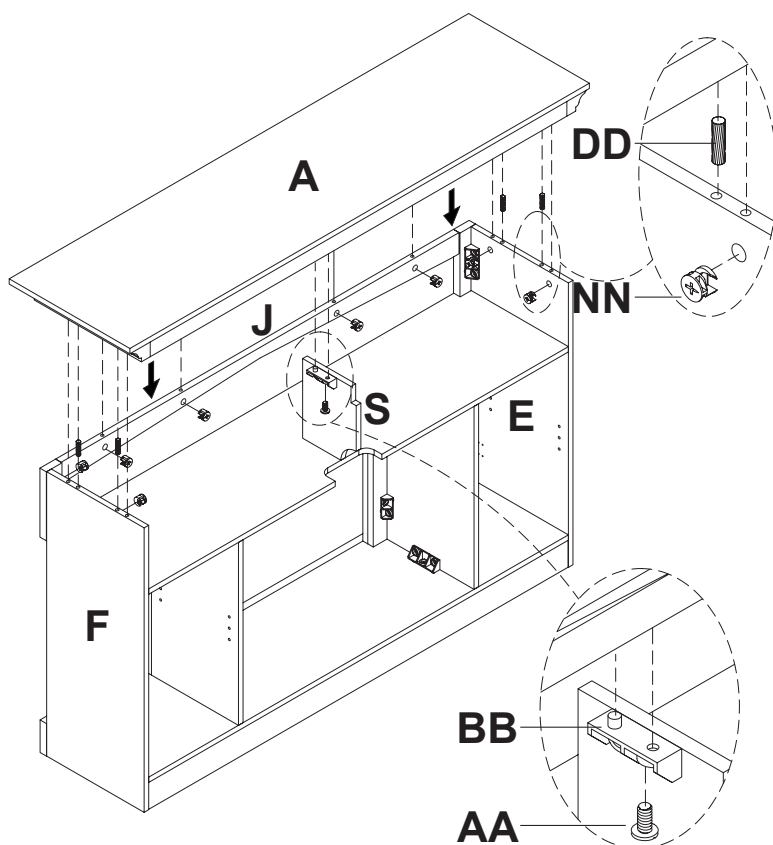
PRÉPARER LE PANNEAU DU HAUT

1. Trouvez le panneau du haut (A) et placez-le sur une surface douce pour protéger le fini (le côté fini face au sol).
2. Insérez quatre grands goujons pour ferrure excentrique (LL) dans les trous filetés sur les côtés du panneau du haut (A) en tournant dans le sens horaire. Évitez d'abîmer les grands goujons pour ferrure excentrique (LL) en serrant trop fort.
3. Insérez quatre petits goujons pour ferrure excentrique (MM) dans les trous filetés à l'avant du panneau du haut (A) en tournant dans le sens horaire. Évitez d'abîmer les petits goujons pour ferrure excentrique (MM) en serrant trop fort.



FIXER LE PANNEAU DU HAUT

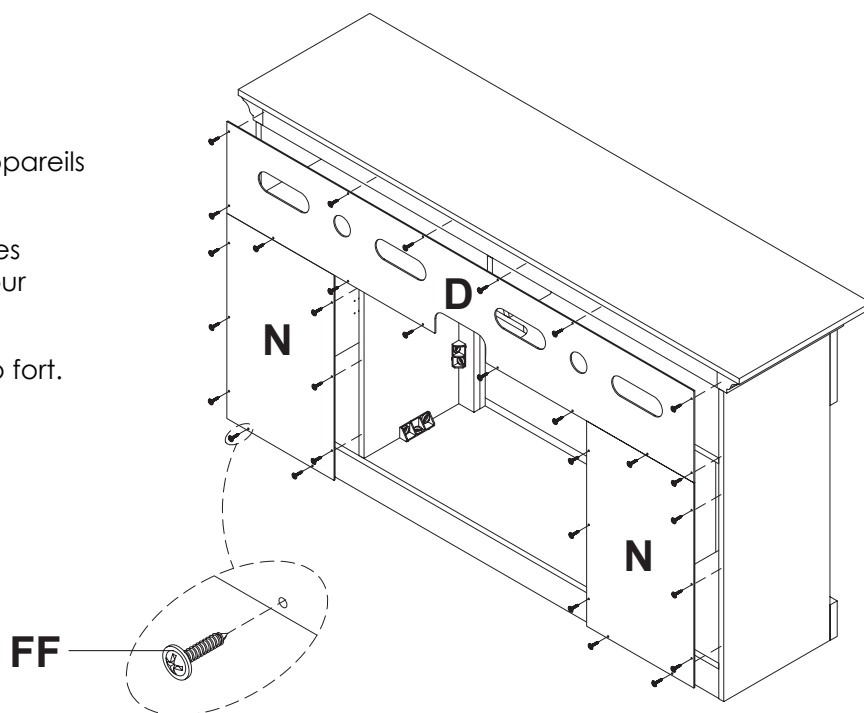
1. Insérez quatre goujons en bois (DD) dans les trous qui ne sont pas filetés dans le haut des panneaux latéraux gauche et droit (E et F). Alignez les goujons en bois (DD) insérés dans les panneaux latéraux (E et F) dans les trous qui ne sont pas filetés du panneau du haut (A).
2. Alignez les petits et les grands goujons pour ferrure excentrique (LL et MM) avec les trous prévus pour les boîtiers excentriques dans l'assemblage du meuble pour appareils électroniques. Enfoncez le panneau du haut (A) jusqu'à ce qu'il repose bien à plat sur le meuble.
3. Insérez huit boîtiers excentriques (NN) dans les trous prévus à cet effet dans les panneaux latéraux gauche et droit (E et F) et le rail supérieur (J).
4. Fixez le panneau du haut (A) à l'assemblage du meuble pour appareils électroniques en tournant les boîtiers excentriques (NN) dans le sens horaire. Évitez de briser les boîtiers excentriques en serrant trop fort.
5. Insérez un boulon (AA) dans la ferrure d'assemblage courte (BB) de la pièce de soutien (S) et serrez en tournant dans le sens horaire. Évitez d'abîmer le boulon (AA) en serrant trop fort.



Assemblage (suite)

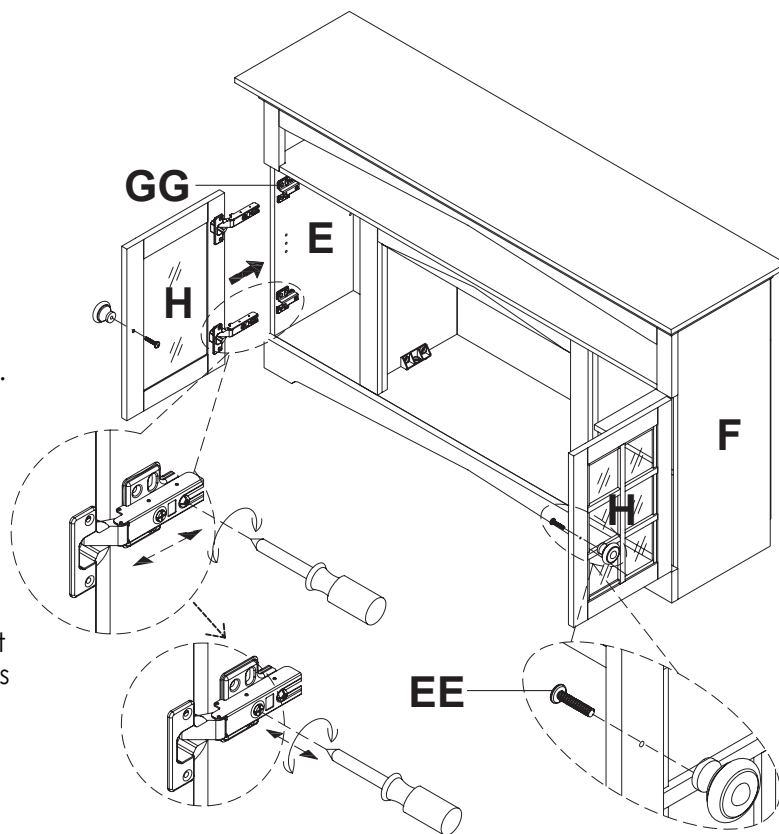
FIXER LES PANNEAUX ARRIÈRE

1. Trouvez les panneaux arrière (D et N) et alignez-les à l'arrière du meuble pour appareils électroniques, le côté fini vers l'intérieur.
2. Insérez et serrez trente vis (FF) pour fixer les panneaux arrière (D et N) au meuble pour appareils électroniques.
3. Évitez d'abîmer les vis (FF) en serrant trop fort.



FIXER LES PORTES ET LES BOUTONS

1. Desserrez les vis qui se trouvent dans les lames de charnières (GG) sur les panneaux latéraux gauche et droit (E et F).
2. Alignez les charnières des portes gauche et droite (H) avec les lames de charnières (GG) des panneaux latéraux gauche et droit (E et F).
3. Serrez les vis pour fixer les charnières aux lames de charnières (GG) des panneaux latéraux gauche et droit (E et F). Évitez d'abîmer les vis en serrant trop fort.
4. Fixez les boutons (EE) aux portes gauche et droite (H) en insérant les boulons dans les boutons (EE) à travers les portes (H) en tournant dans le sens horaire. Évitez d'abîmer les boulons en serrant trop fort.

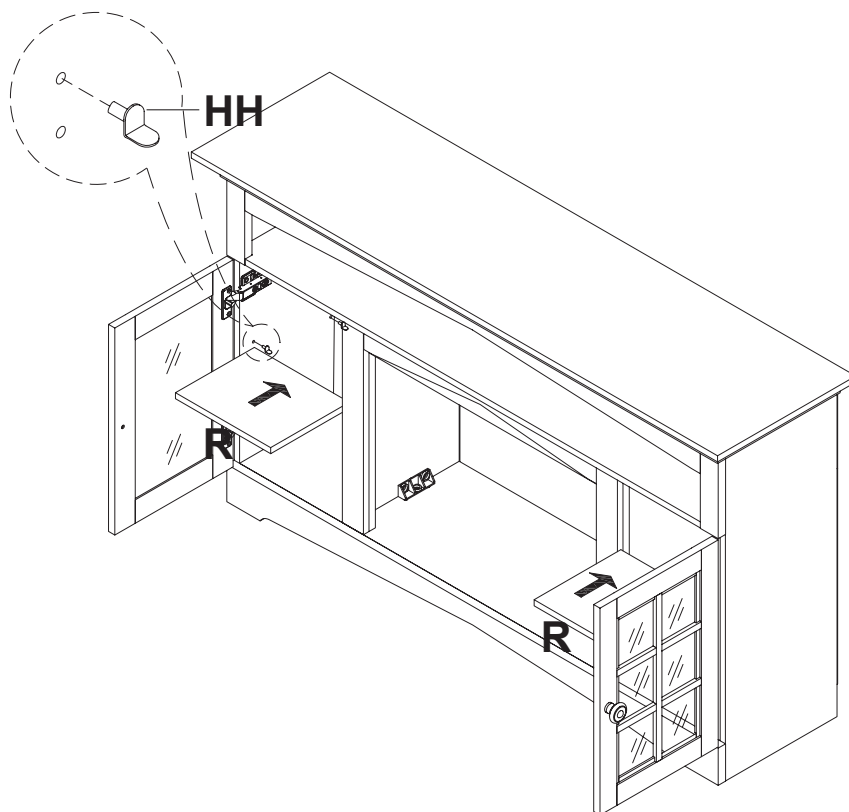


REMARQUE : Le positionnement des portes (gauche et droit, devant et derrière) est ajusté en tournant les vis dans le pivot de la charnière comme sur l'illustration.

Assemblage (suite)

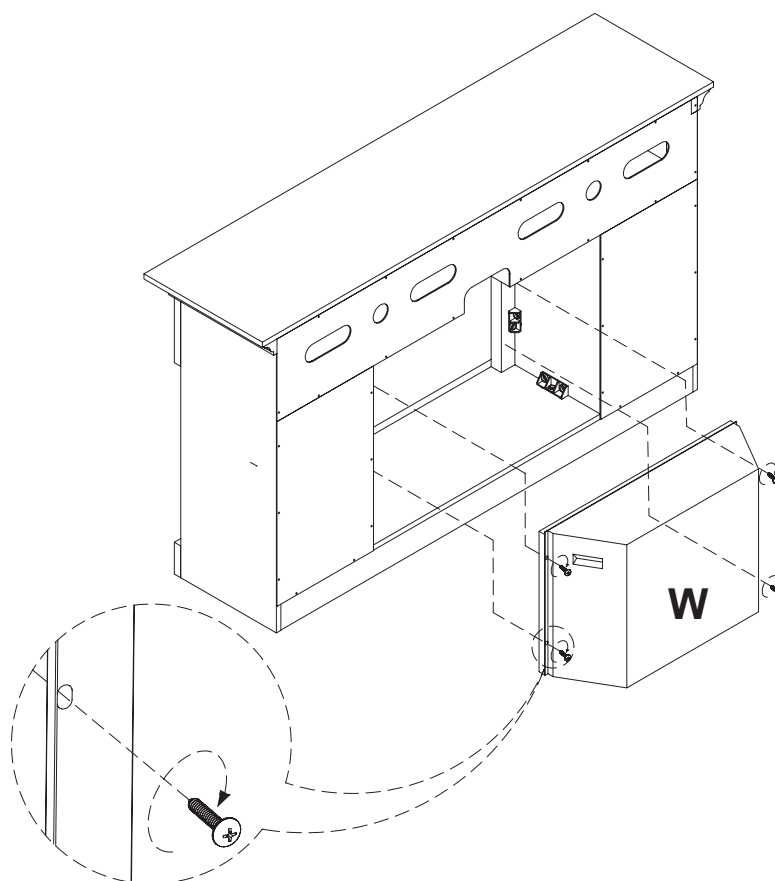
INSTALLER LES TABLETTES

1. Trouvez les deux tablettes (R) et placez-les sur une surface douce pour protéger le fini.
2. Insérez les huit supports à tablette (HH) à l'intérieur des panneaux latéraux (E, F, et G). Assurez-vous d'insérer les supports parallèlement les uns aux autres pour que les tablettes (R) soient au niveau.
3. Insérez les tablettes (R) sur les supports à tablette (HH) pour que le côté fini soit visible.



INSTALLER LE FOYER

1. Insérez le foyer (W) dans le meuble pour appareils électroniques par l'ouverture arrière.
2. Poussez le foyer (W) dans l'ouverture avant jusqu'à ce que la garniture de métal du foyer (W) soit alignée avec les panneaux avant gauche et droit (P et Q).
3. Une fois le foyer positionné, insérez et serrez les quatre vis fournies avec le foyer à travers les trous de la garniture métallique jusque dans les panneaux avant gauche et droit (T et U).
4. Évitez d'abîmer les vis en serrant trop fort.



Dépannage

Si vous avez des questions concernant le produit, veuillez appeler le service à la clientèle au 1-877-447-4768, de 8 h 30 à 16 h 30 HNE, du lundi au vendredi.

PROBLÈME	CAUSE POSSIBLE	SOLUTION
Le foyer ne fonctionne pas.	<ol style="list-style-type: none"> 1. Le foyer n'est pas branché. 2. Un disjoncteur est déclenché ou un fusible a sauté. 3. L'interrupteur MARCHE/ARRÊT est défectueux. 4. Le câblage est desserré. 	<ol style="list-style-type: none"> 1. S'assurer que le foyer est branché dans une prise standard de 120 V. 2. Vérifier si d'autres appareils sont alimentés par le même circuit. Idéalement, le foyer doit être installé sur un circuit dédié de 15 A. 3. Contacter le service à la clientèle. 4. Contacter le service à la clientèle.
Le voyant d'alimentation est ALLUMÉ mais l'effet flamme n'est pas visible.	<ol style="list-style-type: none"> 1. Le foyer ne fonctionne pas correctement. 2. La bande DEL ne fonctionne pas. 3. Câblage desserré. 	<ol style="list-style-type: none"> 1. Consulter le mode d'emploi. 2. Contacter le service à la clientèle : 1-877-447-4768 3. Contacter le service à la clientèle : 1-877-447-4768
Le chauffage ne fonctionne pas.	<ol style="list-style-type: none"> 1. Fonctionnement incorrect. 2. L'interrupteur du chauffage est défectueux. 3. L'ensemble de chauffage est défectueux. 4. Le câblage est desserré. 5. Les événements sont sales ou bouchées. 	<ol style="list-style-type: none"> 1. Consulter le mode d'emploi. 2. Contacter le service à la clientèle : 1-877-447-4768 3. Contacter le service à la clientèle : 1-877-447-4768 4. Contacter le service à la clientèle : 1-877-447-4768 5. Débrancher l'appareil. Vider les événements de toute poussière et de débris. Attendre dix minutes, brancher l'appareil à nouveau et mettre l'élément de chauffage en marche.
Il y a trop de bruit lors du fonctionnement du chauffage.	<ol style="list-style-type: none"> 1. Ventilateur sale ou bouché. 2. L'ensemble de chauffage est défectueux. 	<ol style="list-style-type: none"> 1. Se référer à la rubrique sur l'entretien des moteurs de la section « Entretien et nettoyage » dans le guide du foyer. 2. Contacter le service à la clientèle : 1-877-447-4768
Le voyant d'alimentation est ALLUMÉ mais l'effet flamme n'est pas visible.	<ol style="list-style-type: none"> 1. La bande DEL ne fonctionne pas. 2. Câblage desserré. 	<ol style="list-style-type: none"> 1. Contacter le service à la clientèle : 1-877-447-4768 2. Contacter le service à la clientèle : 1-877-447-4768
Il y a du bruit excessif lorsque la flamme est active mais le chauffage est éteint.	<ol style="list-style-type: none"> 1. L'arbre rotatif du réflecteur de flamme frotte contre le boîtier. 2. Le moteur de l'arbre du réflecteur de flamme est défectueux. 	<ol style="list-style-type: none"> 1. Ouvrir l'arrière du boîtier de foyer et repositionner l'arbre du réflecteur de flamme. Mettre l'unité hors tension avant de procéder à l'entretien. 2. Contacter le service à la clientèle.

AVERTISSEMENT

Ce produit peut vous exposer à des agents chimiques, dont le formaldéhyde, reconnu par l'État de Californie comme pouvant causer le cancer, ainsi que le benzène, reconnu par l'État de Californie comme pouvant causer des troubles de croissance.

Pour plus de renseignements, visitez le www.p65Warnings.ca.gov

Entretien et nettoyage

1. Toujours mettre le chauffage à ARRÊT et débrancher le cordon d'alimentation de la prise secteur avant de le nettoyer.
2. Le nettoyage du panneau de commande, situé dans le coin supérieur droit du foyer derrière le couvercle coulissant du panneau de commande, doit uniquement être effectué avec un chiffon doux légèrement imbibé d'eau (si nécessaire, une petite quantité de savon de vaisselle peut être ajoutée à l'eau) et séché en utilisant un chiffon propre, sec et doux. Le nettoyage de l'écran de diffusion doit être uniquement effectué avec de l'eau et un chiffon non pelucheux. NE PAS utiliser d'abrasifs sur les commandes et l'écran de diffusion.

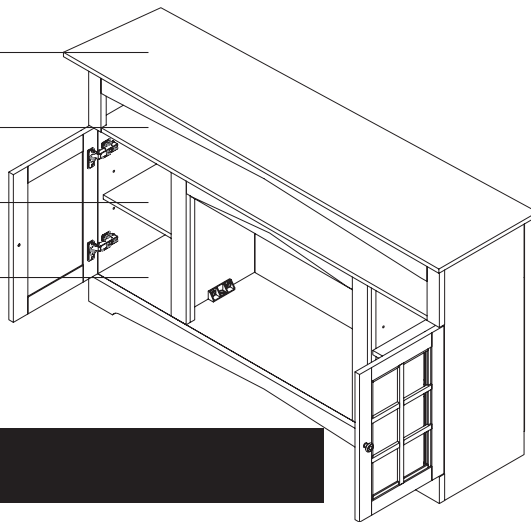
Capacité de charge de la tablette

95 lb (43,1 kg)

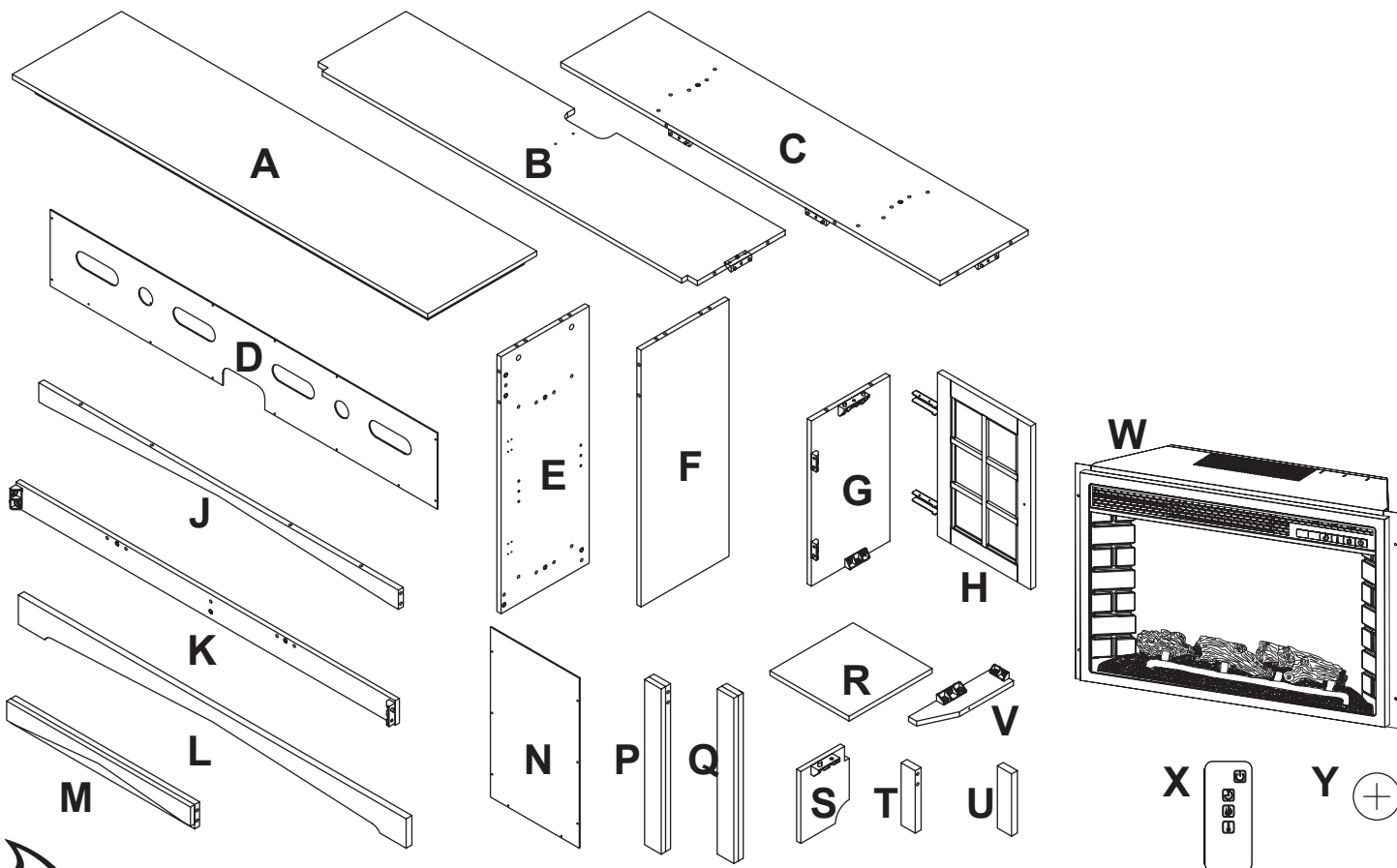
50 lb (22,7 kg)

20 lb (9,1 kg)

50 lb (22,7 kg)



Pièces de rechange



Pre-ensamblaje

PLANIFICACION DEL ENSAMBLAJE

Antes de iniciar el ensamblaje localice las instrucciones y las piezas. Compare todas las piezas con la lista de piezas incluidas y contenido del embalaje. Asegúrese de tener todas las piezas y de que pueda identificarlas. Siempre es bueno contar con ayuda. Ensámblelo con asistencia de una persona adulta si es posible. Algunas piezas son pesadas y necesitará ayuda. El tiempo de ensamblaje se estima entre 30-60 minutos.

Antes de ensamblar, utilice tijeras para sacar las piezas del embalaje. No utilice una navaja o cuchillo exacto, ya que podría cortar las piezas dentro de la caja y dañar el acabado. Busque la bolsa roja de herramientas situada en el interior del empaque. No deseche ninguna pieza. Utilice un destornillador apropiado para insertar y ajustar todos los tornillos.

HERRAMIENTAS REQUERIDAS



Gafas de seguridad

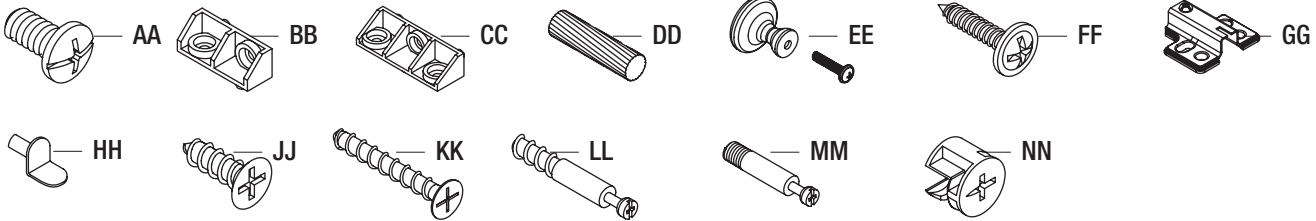


Desarmador Phillips

PIEZAS INCLUIDAS



NOTA: Las herramientas son no mostradas en su tamaño real.



Pieza	Descripción	Cantidad
AA	Tornillo	33
BB	Conector corta	2
CC	Conector de largo	2
DD	Clavija	36
EE	Tiradores	2
FF	Panel posterior del tornillo	30
GG	La bisagra de puerta placa	4

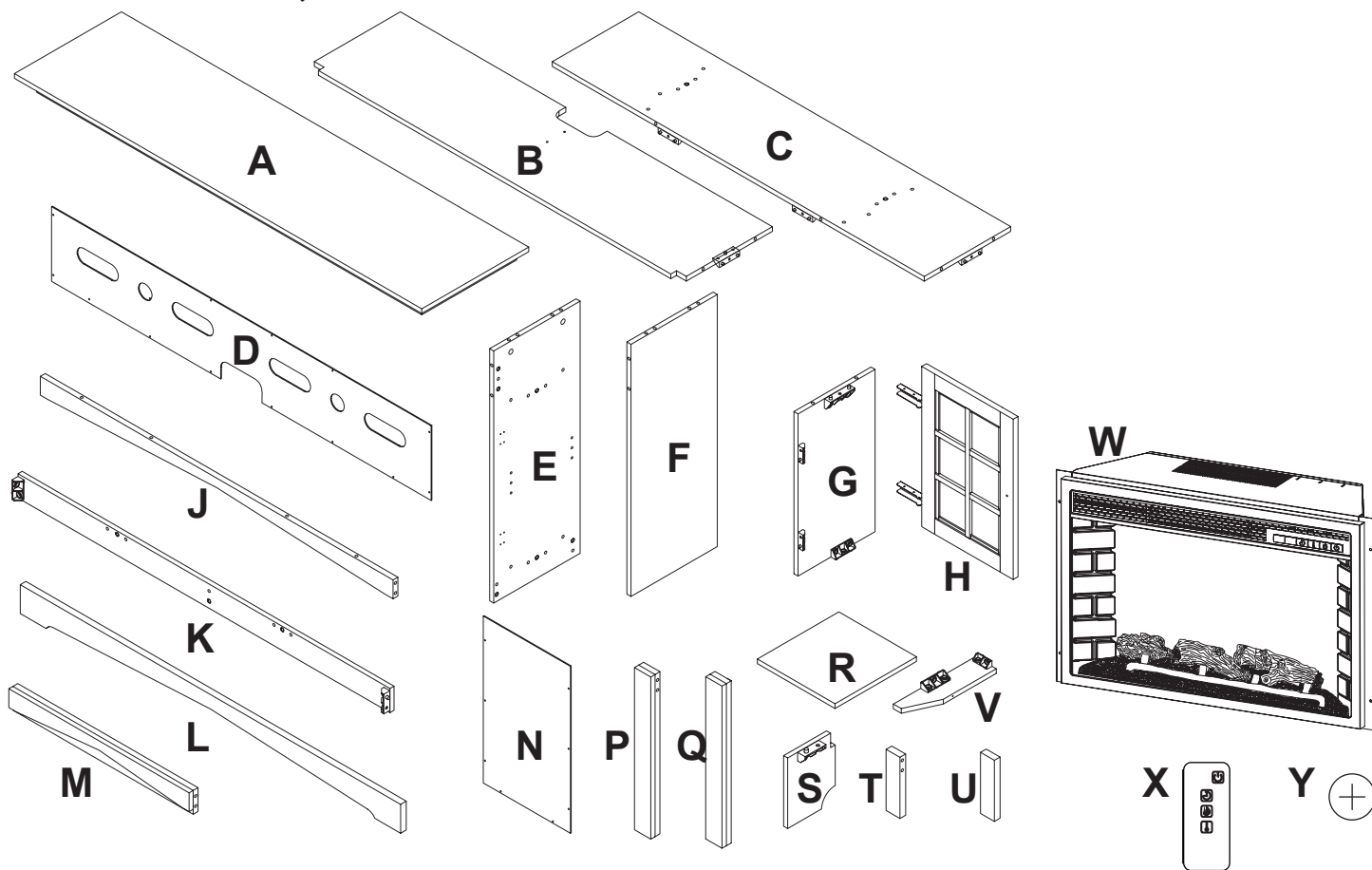
Pieza	Descripción	Cantidad
HH	Clavija para estantes	8
JJ	Tornillo de bisagra	16
KK	Tornillo	2
LL	Pasador de bloqueo largo	4
MM	Pasador de bloqueo corta	4
NN	Cerradura de la leva	8

ADVERTENCIA

Este producto puede exponerlo a usted a agentes químicos incluyendo formaldehído, reconocido por el estado de California como causante de cáncer, así como benceno, reconocido por el estado de California como causantes de problemas de crecimiento. **Para obtener más información, visite www.p65Warnings.ca.gov**

Pre-ensamblaje (continuación)

CONTENIDO DEL PAQUETE

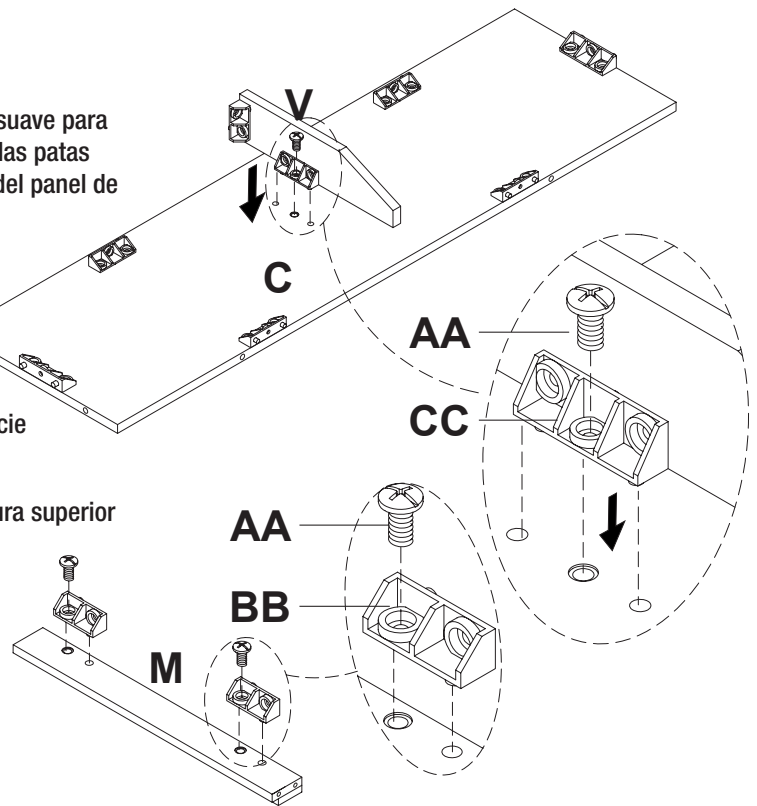


Pieza	Descripción	Cantidad
A	Panel superior	1
B	Repisa multimedia	1
C	Panel de base	1
D	Panel trasero superior	1
E	Panel lateral izquierdo	1
F	Panel lateral derecho	1
G	Panel interior	2
H	Puerta del mueble	2
J	Riel superior	1
K	Panel del faldón trasero	1
L	Panel del faldón frontal	1
M	Moldura superior	1

Pieza	Descripción	Cantidad
N	Panel trasero lateral	2
P	Moldura izquierda	1
Q	Moldura derecha	1
R	Repisa ajustable	2
S	Panel de soporte	1
T	Panel frontal izquierdo	1
U	Panel frontal derecho	1
V	Pata de soporte	1
W	Cámara de combustión	1
X	Control remoto de la cámara de combustión	1
Y	Batería de botón	1

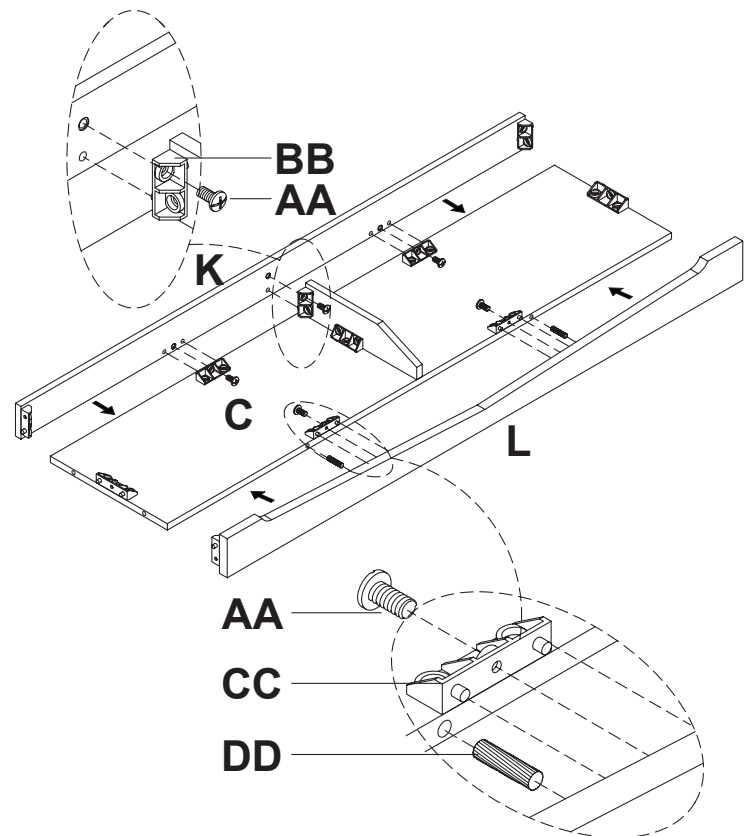
1 Unión de las patas de soporte

- Localice el panel de base (C) y colóquelo sobre una superficie suave para proteger el acabado. Alinee e inserte el conector largo (CC) en las patas de soporte (V) dentro de los orificios no roscados en el centro del panel de base (C).
- Una las patas de soporte (V) al panel de base (C) girando dos pernos (AA) en el sentido de las agujas del reloj a través de los conectores largos (CC). No apriete los pernos (AA) en exceso ya que podría dañarlos.
- Localice la moldura superior (M) y colóquela sobre una superficie suave para proteger el acabado.
- Inserte dos conectores cortos (BB) donde se indica en la moldura superior (M). Empuje firmemente hasta que estén al ras.
- Una los conectores cortos (BB) insertando dos pernos (AA) y girando en el sentido de las agujas del reloj.



2 Unión de los paneles frontal y trasero a la base

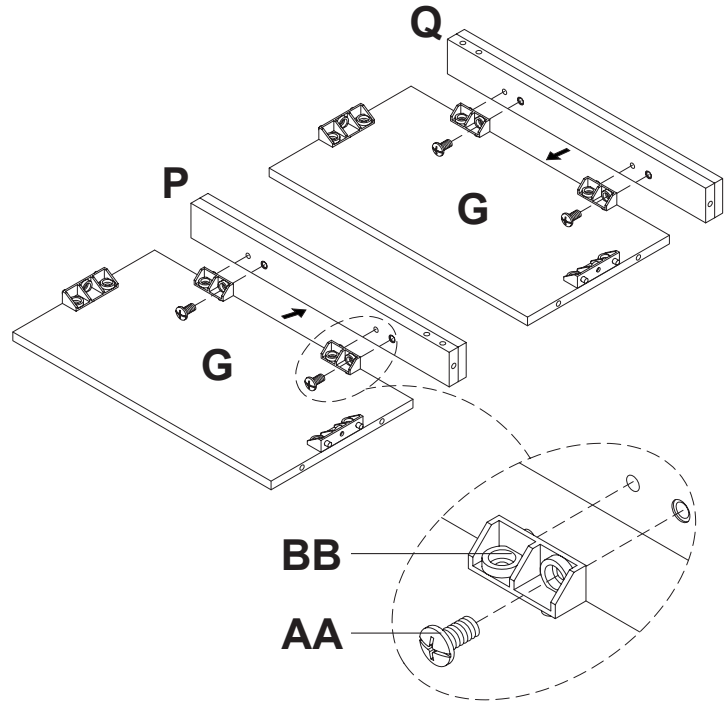
- Alinee e inserte dos espigas de madera (DD) dentro de los orificios no roscados en el lateral del panel de base (C). Alinee las espigas de madera (DD) con los orificios no roscados en el panel del faldón frontal (L). Presione los paneles a la vez hasta que estén al ras.
- Alinee los conectores cortos y largos (BB y CC) en el ensamblaje de la base (C) con los orificios no roscados en el panel del faldón trasero (K).
- Inserte ocho pernos (AA) dentro de los conectores cortos y largos (BB y CC) en el ensamblaje de la base.
- Una los paneles del faldón frontal y trasero (L y K) girando los pernos (AA) en el sentido de las agujas del reloj. No apriete los pernos (AA) en exceso ya que podría dañarlos.



Ensamblaje (continuación)

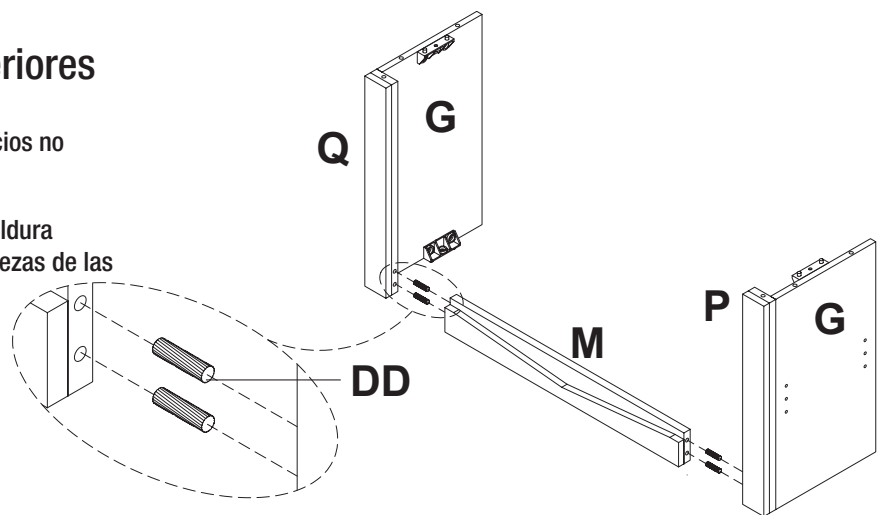
3 Colocación de las piezas de las molduras izquierda y derecha

- Alinee los conectores cortos (BB) en los paneles interiores (G) con los orificios no roscados en las piezas de las molduras izquierda y derecha (P y Q). Empuje firmemente hasta que estén al ras.
- Inserte cuatro pernos (AA) en los conectores cortos (BB) donde se indica en los paneles interiores.
- Fije las piezas de las molduras izquierda y derecha (P y Q) girando los pernos (AA) en el sentido de las agujas del reloj. No apriete los pernos (AA) en exceso ya que podría dañarlos.



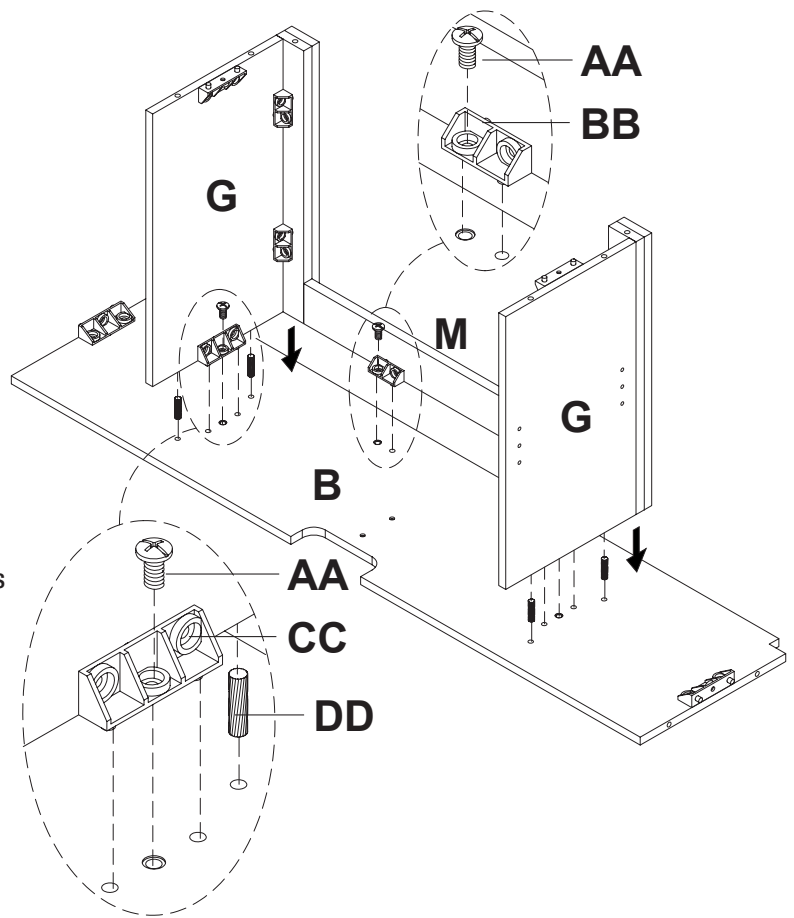
4 Colocación de los paneles interiores

- Inserte cuatro espigas de madera (DD) en los orificios no roscados en la moldura superior (M).
- Alinee las cuatro espigas de madera (DD) en la moldura superior (M) con los orificios no roscados en las piezas de las molduras izquierda y derecha (P y Q).
- Empuje firmemente hasta que estén al ras.



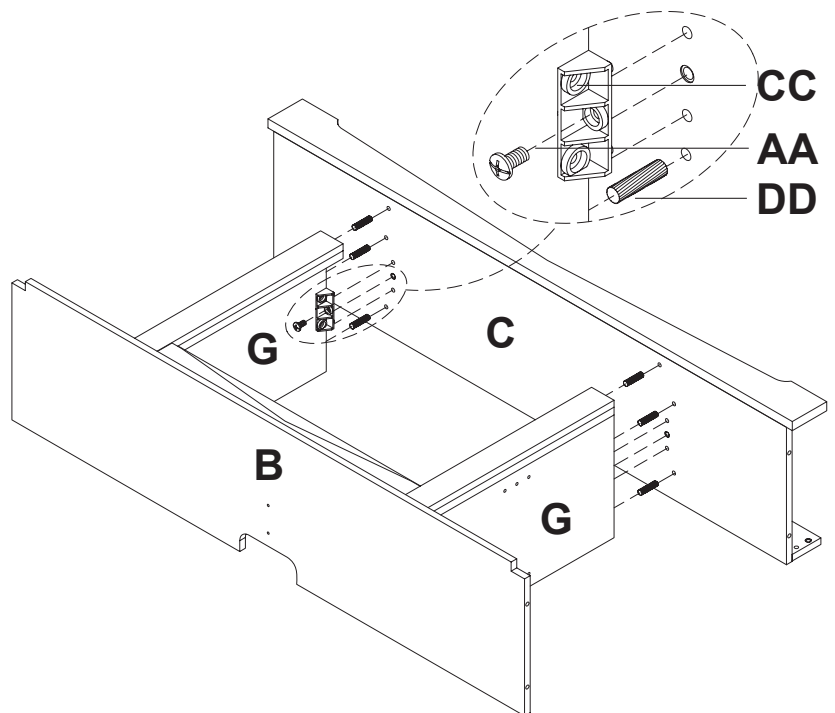
5 Colocación de la repisa multimedia

- Inserte cuatro espigas de madera (DD) en los orificios no roscados de la repisa multimedia (B).
- Alinee las espigas de madera (DD) en la repisa multimedia (B) con los orificios no roscados en los paneles interiores izquierdo y derecho (G).
- Alinee los conectores cortos y largos (BB y CC) que están en el ensamblaje del panel interior con los agujeros en la repisa multimedia (B).
- Empuje el ensamblaje del panel interior hacia abajo firmemente sobre la repisa multimedia hasta que estén al ras.
- Inserte cuatro pernos (AA) en los conectores cortos y largos (BB y CC) en el ensamblaje del panel interior.
- Una el ensamblaje del panel interior a la repisa multimedia (B) girando los pernos (AA) en el sentido de las agujas del reloj. No apriete los pernos (AA) en exceso ya que podría dañarlos.



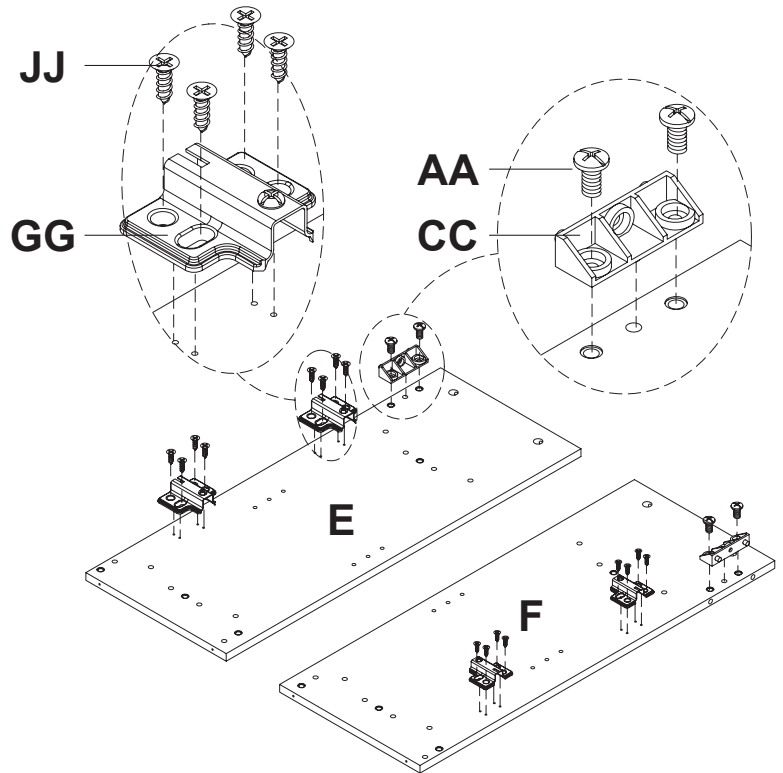
6 Colocación de la base

- Inserte seis espigas de madera (DD) en los orificios no roscados en el ensamblaje de la repisa multimedia.
- Alinee las espigas de madera (DD) con los orificios no roscados en el panel de base (C). Presione los paneles a la vez hasta que estén al ras.
- Una el panel de base (C) al ensamblaje de la repisa multimedia insertando dos pernos (AA) a través de los conectores largos (CC) en los paneles interiores (G) y girando en el sentido de las agujas del reloj. No apriete los pernos (AA) en exceso ya que podría dañarlos.



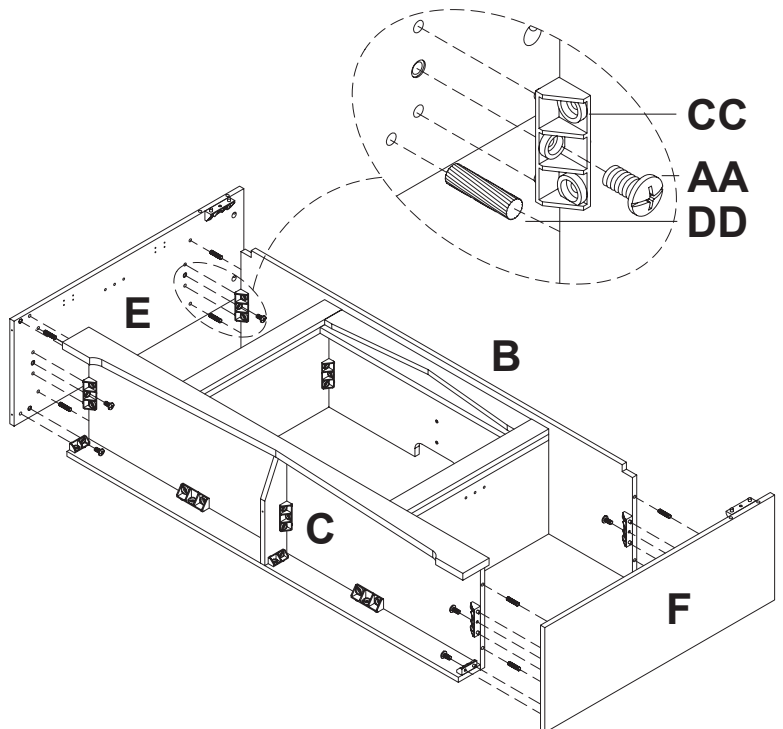
7 Colocación de herrajes en los paneles laterales

- Localice los paneles laterales izquierdo y derecho (E y F) y colóquelos sobre una superficie suave para proteger el acabado.
- Inserte conectores largos (CC) donde se indica en los paneles laterales izquierdo y derecho (E y F). Presione firmemente hacia abajo hasta que quede nivelado.
- Fije los conectores largos (CC) insertando y girando cuatro pernos (AA) en el sentido de las agujas del reloj. No apriete los pernos (AA) en exceso ya que podría dañarlos.
- Coloque las cuatro placas de las bisagras de las puertas (GG) en los paneles izquierdo y derecho (E y F) insertando y apretando los 16 tornillos de las bisagras (JJ). No apriete en exceso ya que podría romper los tornillos de las bisagras (JJ).



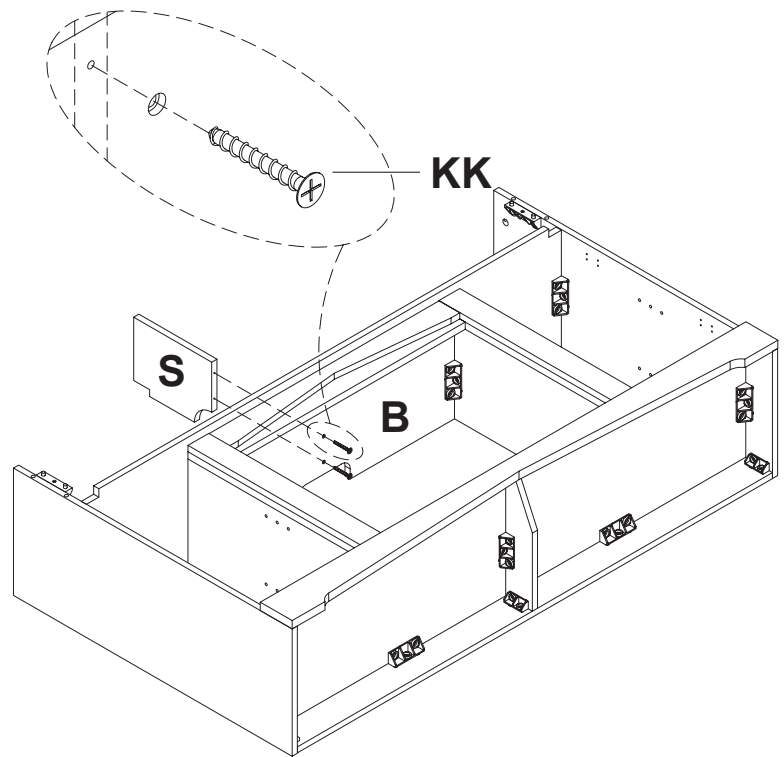
8 Unión de los paneles laterales

- Inserte ocho espigas de madera (DD) en los orificios no roscados en los laterales de la repisa multimedia (B) y el panel de base (C).
- Alinee las espigas de madera (DD) en los laterales de la repisa multimedia (B) y el panel de base (C) con los orificios no roscados en los paneles laterales izquierdo y derecho (E y F).
- Alinee los conectores largos (CC) en la repisa multimedia (B) y el panel de base (C) con los orificios en los paneles laterales izquierdo y derecho (E y F).
- Empuje los paneles laterales izquierdo y derecho (E y F) firmemente hasta que estén al ras con el ensamblaje de la consola multimedia.
- Una los paneles laterales izquierdo y derecho al ensamblaje de la consola multimedia insertando ocho pernos (AA) a través de los conectores largos (CC) en la repisa multimedia (B) y el panel de base (C) y gire en el sentido de las agujas del reloj. No apriete los pernos (AA) en exceso ya que podría dañarlos.



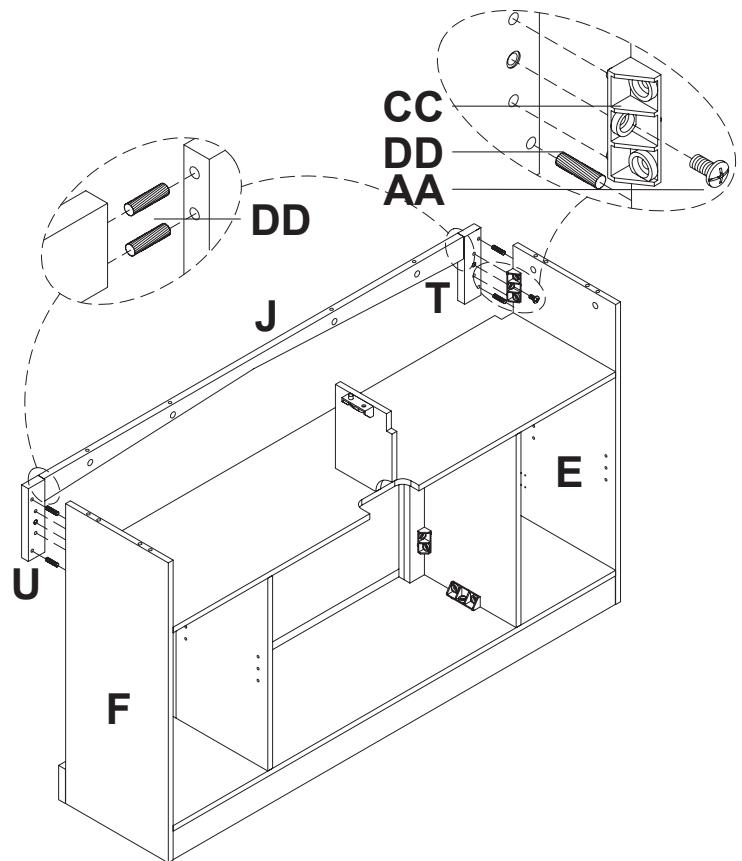
9 Colocación del panel de soporte

- Una el panel de soporte (S) a la repisa multimedia (B) alineando los orificios en la parte inferior del panel de soporte (S) con los orificios en la repisa multimedia (B). Inserte y apriete dos tornillos (KK) en el panel de soporte (S) a través de la repisa multimedia (B).
- No apriete los tornillos (KK) en exceso ya que podría dañarlos.



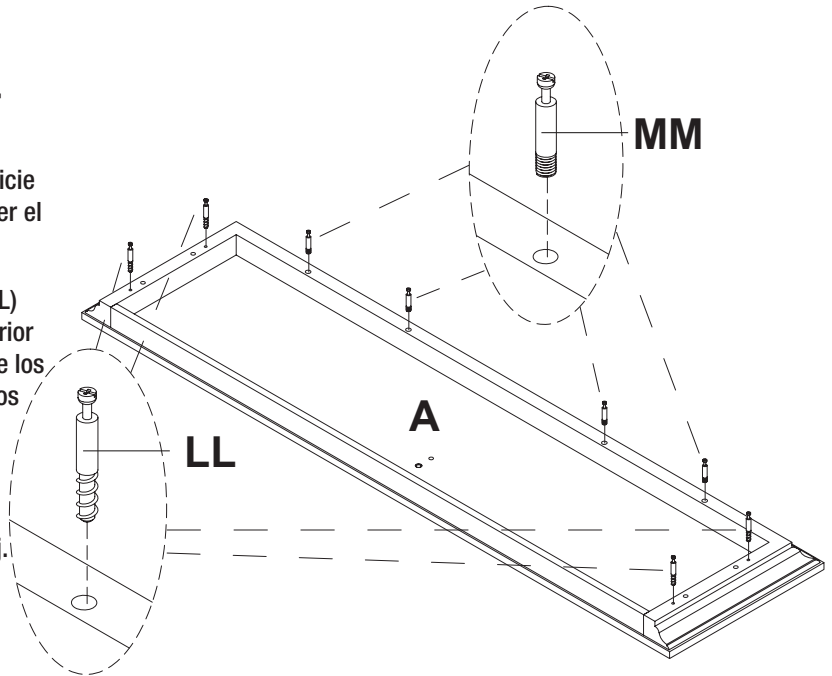
10 Colocación del riel superior

- Inserte cuatro espigas de madera (DD) en los orificios no roscados en los laterales del riel superior (J).
- Alinee las espigas de madera (DD) en el riel superior (J) con los orificios no roscados en los laterales de los paneles frontales izquierdo y derecho (T y U). Empuje firmemente hasta que estén al ras.
- Inserte 4 espigas de madera (DD) en los orificios no roscados en la parte trasera de los paneles frontales izquierdo y derecho (T y U).
- Alinee las espigas de madera (DD) en los paneles frontales izquierdo y derecho (T y U) con los orificios no roscados en los paneles laterales izquierdo y derecho (E y F).
- Alinee los conectores largos (CC) en los paneles laterales izquierdo y derecho (E y F) con los orificios en los paneles frontales izquierdo y derecho (T y U). Empuje firmemente hasta que estén al ras.
- Una el ensamblaje del riel superior a los paneles laterales izquierdo y derecho (E y F) insertando dos pernos (AA) a través de los conectores largos (CC) en los paneles laterales izquierdo y derecho (E y F) y girando en el sentido de las agujas del reloj. No apriete los pernos (AA) en exceso ya que podría dañarlos.



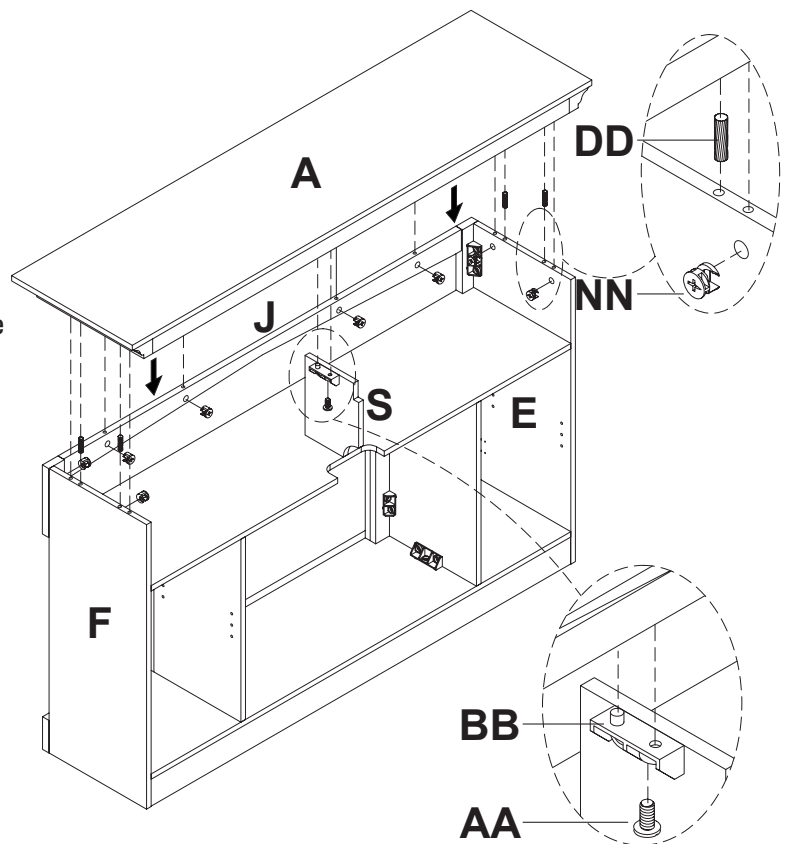
11 Preparación del panel superior

- Localice el panel superior (A) y colóquelo en una superficie suave con la cara con acabado hacia abajo para proteger el acabado.
- Inserte cuatro pasadores de cerradura de leva largos (LL) en los orificios roscados en los laterales del panel superior (A) girando en el sentido de las agujas del reloj. No dañe los pasadores de cerraduras de leva largos (LL) apretándolos en exceso.
- Inserte cuatro pasadores de cerradura de leva cortos (MM) en los orificios roscados en el frontal del panel superior (A) girando en el sentido de las agujas del reloj. No dañe los pasadores de cerraduras de leva cortos (MM) apretándolos en exceso.



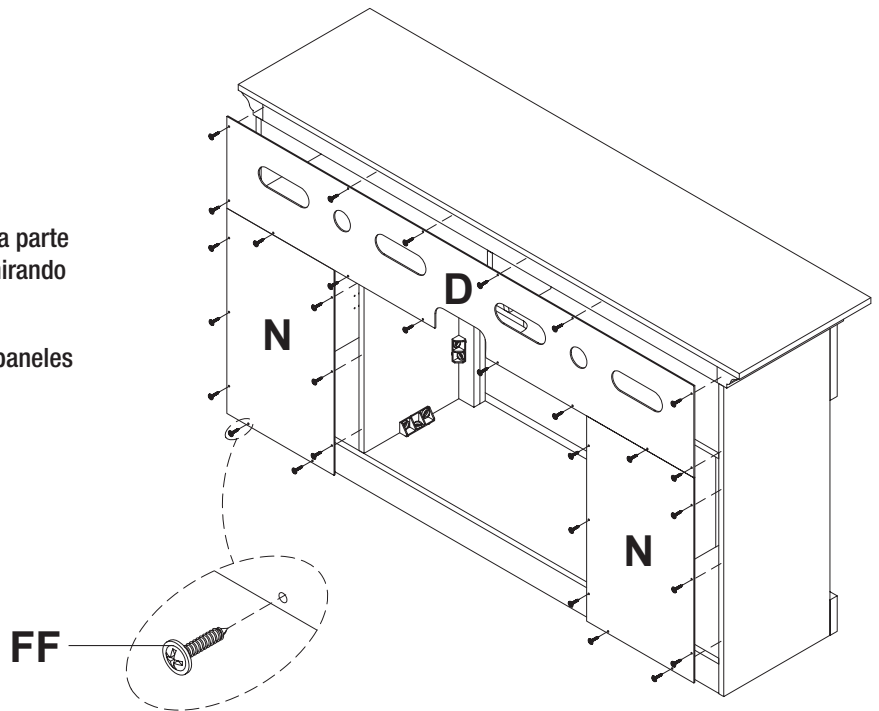
12 Unión del panel superior

- Inserte cuatro espigas de madera (DD) en los orificios no roscados en la parte superior de los paneles laterales izquierdo y derecho (E y F). Alinee las espigas de madera (DD) en los paneles laterales (E y F) con los orificios no roscados en el panel superior (A).
- Alinee los pasadores de cerradura de leva largos y cortos (LL y MM) con los orificios de los pasadores de cerradura de leva en el ensamblaje de la consola multimedia. Empuje el panel superior (A) hacia abajo hasta que esté al ras.
- Inserte ocho pasadores de cerradura de leva de metal (NN) en los orificios de los pasadores de cerradura de leva en los paneles laterales izquierdo y derecho (E y F) y el riel superior (J).
- Una el panel superior (A) al ensamblaje de la consola multimedia girando los pasadores de cerradura de leva de metal (NN) en el sentido de las agujas del reloj. No rompa los pasadores de cerraduras de leva de metal apretándolos en exceso.
- Inserte un perno (AA) a través del conector corto (BB) en la pieza de soporte (S) y apriete girando en el sentido de las agujas del reloj. No apriete los pernos (AA) en exceso ya que podría dañarlos.



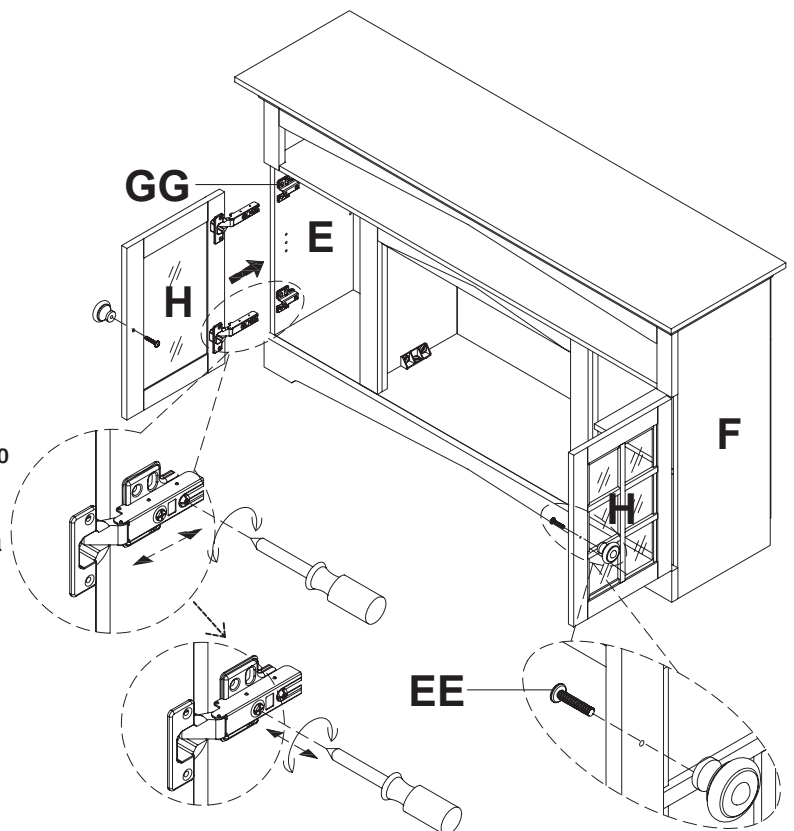
13 Colocación de los paneles traseros

- Localice los paneles traseros (D y N) y alinéelos a la parte trasera de la consola multimedia con el acabado mirando hacia adentro.
- Inserte y apriete treinta tornillos (FF) para unir los paneles traseros (D y N) a la consola multimedia.
- No dañe los tornillos (FF) apretándolos demasiado.



14 Colocación de las puertas y tiradores

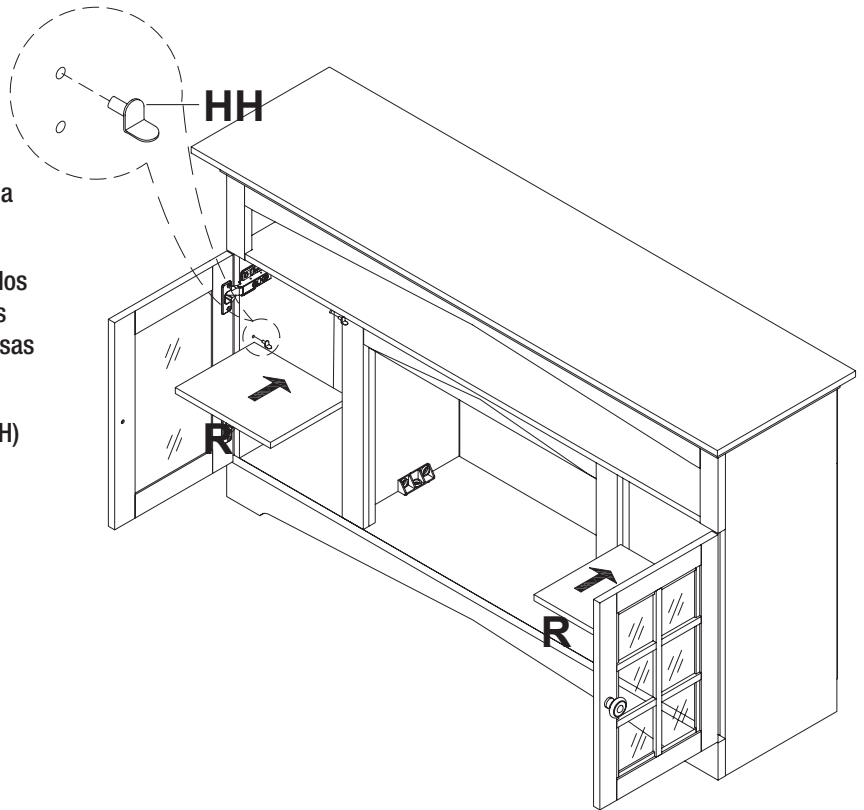
- Afloje los tornillos de las placas de las bisagras (GG) en los paneles laterales izquierdo y derecho (E y F).
- Alinee las bisagras en las puertas izquierda y derecha (H) con las placas de las bisagras (GG) en los paneles laterales izquierdo y derecho (E y F).
- Apriete los tornillos para unir las bisagras a las placas de las bisagras (GG) a los paneles laterales izquierdo y derecho (E y F). No dañe los tornillos apretándolos demasiado.
- Coloque los tiradores (EE) a las puertas izquierda y derecha (H) insertando los pernos dentro de los tiradores (EE), a través de las puertas (H), y girando en el sentido de las agujas del reloj. No apriete los pernos en exceso ya que podría dañarlos.



NOTA: Las posiciones izquierda/derecha y adelante/atrás de la puerta se ajustan girando los tornillos en el pivote de la bisagra como se muestra en el dibujo.

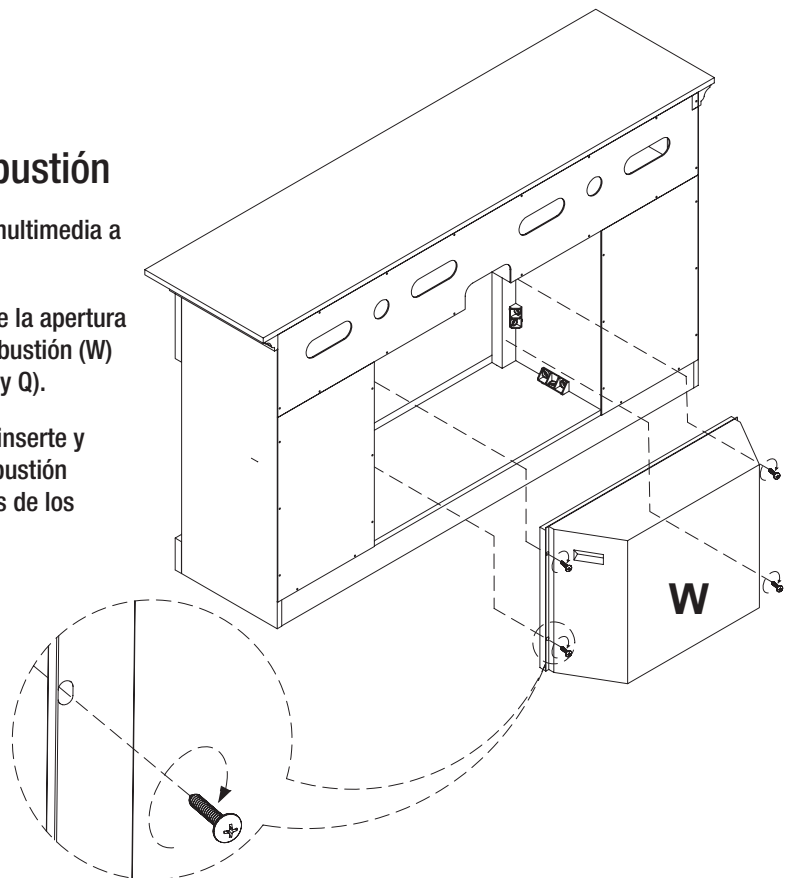
15 Inserción de las repisas

- Localice las cuatro repisas (R) y colóquelas sobre una superficie suave para proteger el acabado.
- Inserte las 8 clavijas de repisa (HH) en el interior de los paneles laterales (E, F y G). Asegúrese de insertar las clavijas paralelas entre sí para asegurar que las repisas queden niveladas.
- Inserte las repisas (R) sobre las clavijas de repisa (HH) dejando visibles las caras con acabado.



16 Instalación de la cámara de combustión

- Inserte la cámara de combustión (W) dentro de la consola multimedia a través de la apertura trasera.
- Empuje la cámara de combustión hacia adelante a través de la apertura frontal hasta que la moldura de metal de la cámara de combustión (W) esté al ras con los paneles frontales izquierdo y derecho (P y Q).
- Una vez que la cámara de combustión esté en su posición, inserte y apriete los cuatro tornillos provistos con la cámara de combustión en los paneles frontales izquierdo y derecho (T y U), a través de los orificios en la moldura de metal.
- No dañe los tornillos apretándolos demasiado.



Resolución de fallas

Problema	Causa posible	Solution
La chimenea no funciona.	<ul style="list-style-type: none"> <input type="checkbox"/> La chimenea no está enchufada. <input type="checkbox"/> Un disyuntor de circuito se ha activado o un fusible ha explotado. <input type="checkbox"/> El interruptor ON/OFF está defectuoso. <input type="checkbox"/> Hay un cable flojo. 	<ul style="list-style-type: none"> <input type="checkbox"/> Asegúrese de que la chimenea esté enchufada en un tomacorriente estándar de 120V. <input type="checkbox"/> Revise los electrodomésticos adicionales en el circuito; idealmente, la chimenea debe estar en un circuito dedicado de 15 Amperios. <input type="checkbox"/> Llame a Servicio al Cliente. <input type="checkbox"/> Llame a Servicio al Cliente.
La luz de energía está encendida pero el efecto de la llama no es visible.	<ul style="list-style-type: none"> <input type="checkbox"/> La chimenea no está funcionando correctamente. <input type="checkbox"/> La tira LED no está funcionando. <input type="checkbox"/> Hay un cable flojo. 	<ul style="list-style-type: none"> <input type="checkbox"/> Consulte las instrucciones de operación. <input type="checkbox"/> Llame a Servicio al Cliente. <input type="checkbox"/> Llame a Servicio al Cliente.
El calefactor no está funcionando.	<ul style="list-style-type: none"> <input type="checkbox"/> La chimenea no está funcionando correctamente. <input type="checkbox"/> El interruptor del calefactor está defectuoso. <input type="checkbox"/> El ensamblaje del calefactor está defectuoso. <input type="checkbox"/> Hay un cable flojo. <input type="checkbox"/> Los respiraderos están sucios u obstruidos. 	<ul style="list-style-type: none"> <input type="checkbox"/> Consulte las instrucciones de operación. <input type="checkbox"/> Llame a Servicio al Cliente. <input type="checkbox"/> Llame a Servicio al Cliente. <input type="checkbox"/> Llame a Servicio al Cliente. <input type="checkbox"/> Desconecte la unidad. Limpie el área del respiradero de polvo y desechos. Espere diez minutos, enchufe la unidad de nuevo y encienda el calefactor.
Hay ruido excesivo cuando el calefactor está funcionando.	<ul style="list-style-type: none"> <input type="checkbox"/> El soplador está sucio u obstruido. <input type="checkbox"/> El ensamblaje del calefactor está defectuoso. 	<ul style="list-style-type: none"> <input type="checkbox"/> Consulte el mantenimiento de motores en la sección de cuidado y mantenimiento del manual de la cámara de combustión. <input type="checkbox"/> Llame a Servicio al Cliente.
La luz de energía está encendida pero la llama de la cama de brasas no es intermitente.	<ul style="list-style-type: none"> <input type="checkbox"/> La tira LED no está funcionando. <input type="checkbox"/> Hay un cable flojo. 	<ul style="list-style-type: none"> <input type="checkbox"/> Llame a Servicio al Cliente. <input type="checkbox"/> Llame a Servicio al Cliente.
Hay un ruido excesivo cuando la llama está ENCENDIDA pero el calefactor está APAGADO.	<ul style="list-style-type: none"> <input type="checkbox"/> El eje del reflector rotativo de la llama está rozando contra la carcasa. <input type="checkbox"/> El motor del eje del reflector de la llama está defectuoso. 	<ul style="list-style-type: none"> <input type="checkbox"/> Abra la parte trasera de la caja de fuego y reubique el eje del reflector de la llama. Apague la unidad antes de darle servicio. <input type="checkbox"/> Llame a Servicio al Cliente.

Cuidado y limpieza

- Siempre apague el calefactor y desconecte el cable eléctrico del tomacorriente antes de limpiarlo.
- La limpieza del panel de control, localizado en la esquina superior derecha de la chimenea, debe hacerse usando solamente un paño suave, ligeramente humedecido en agua (de ser necesario, se puede agregar una pequeña cantidad de jabón de platos al agua) y secarse usando un paño suave limpio y seco. La limpieza del difusor de rejilla debe hacerse usando solamente agua y un paño libre de pelusa. NO use controles abrasivos y la rejilla de difusión.

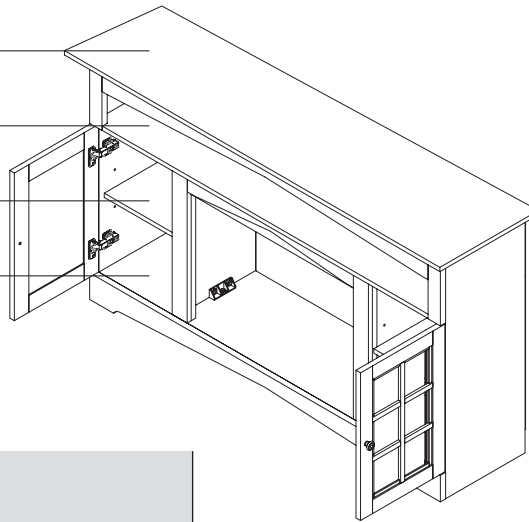
Capacidad de carga de la repisa

95 lbs (43.1 kg)

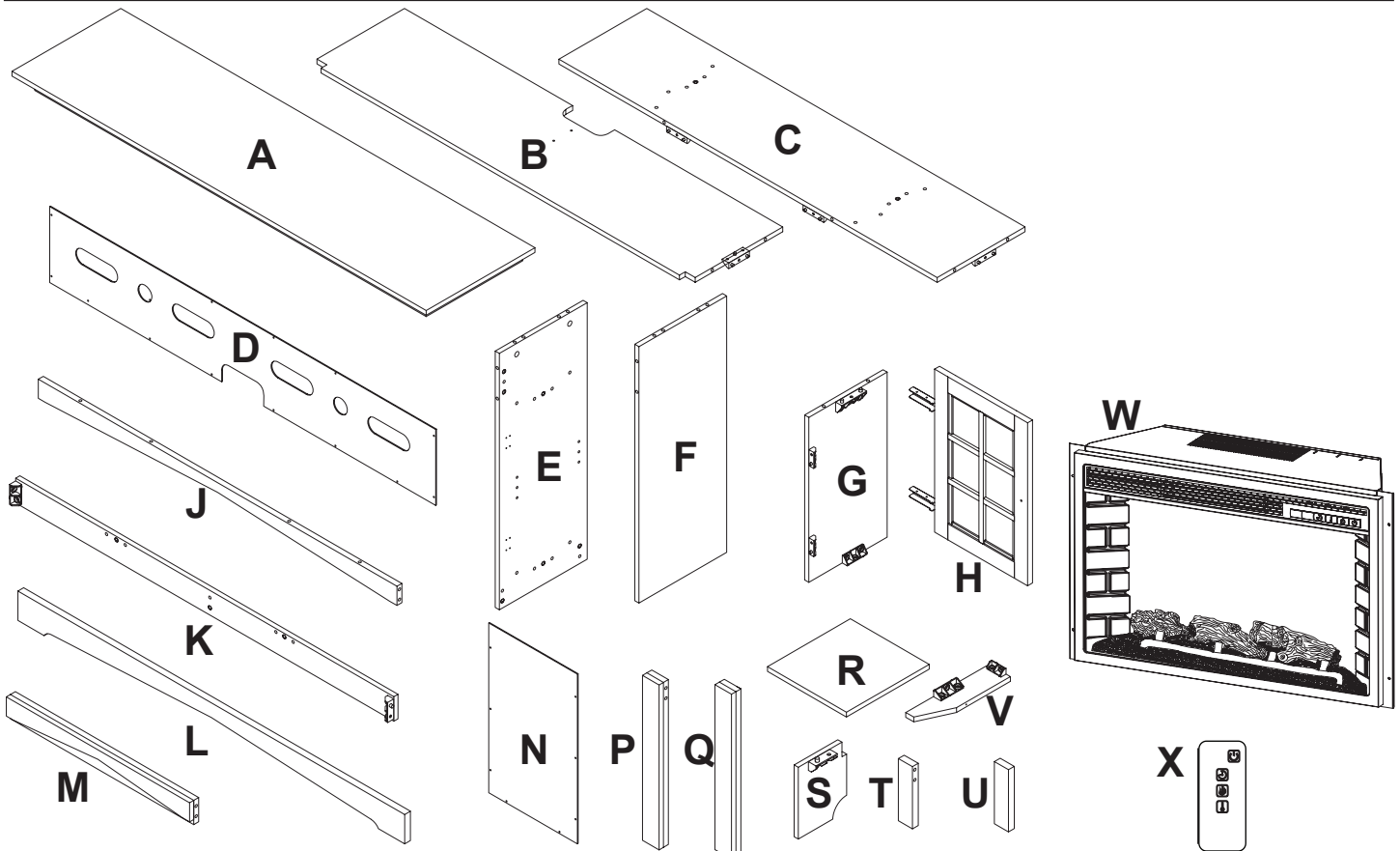
50 lbs (22.7 kg)

20 lbs (9.1 kg)

50 lbs (22.7 kg)



Piezas de servicio



Pièces de rechange (suite)

Réf.	Description	Quantité	N° de pièce 370-196-48 Fini espresso	N° de pièce 370-196-204 Fini blanc
A	Panneau du haut	1	20-06-116	20-06-720
B	Tablette pour appareils électroniques	1	20-06-117	20-06-721
C	Panneau inférieur	1	20-06-118	20-06-722
D	Panneau arrière supérieur	1	20-06-119	20-06-723
E	Panneau latéral gauche	1	20-06-120	20-06-724
F	Panneau latéral droit	1	20-06-121	20-06-725
G	Panneau intérieur	2	20-06-122	20-06-726
H	Porte d'armoire	2	20-06-123	20-06-727
J	Rail supérieur	1	20-06-124	20-06-728
K	Plinthe arrière	1	20-06-125	20-06-729
L	Plinthe avant	1	20-06-126	20-06-730
M	Garniture supérieure	1	20-06-127	20-06-731
N	Panneau latéral arrière	2	20-06-128	20-06-732
P	Garniture gauche	1	20-06-129	20-06-733
Q	Garniture droite	1	20-06-130	20-06-734
R	Tablette réglable	2	20-06-131	20-06-735
S	Panneau de soutien	1	20-06-132	20-06-736
T	Panneau avant gauche	1	20-06-133	20-06-737
U	Panneau avant droit	1	20-06-134	20-06-738
V	Pied-support	1	20-06-135	20-06-739
W	Foyer	1	27-800-001	
X	Télécommande du foyer	1	EF33510AS-15	
	Trousse de matériel	1	20-09-550	
	Guide	1	20-10-306	

Muskoka®

Muskoka® est une marque de commerce déposée de GHP Group Inc.



1-877-447-4768 • www.ghpgroupinc.com

