

# SAFETY

## GENERAL NOTES (OPERATION)

Caution should be taken when towing and/or using any attachment. This attachment combined with the weight distribution, turning radius, and speed of towing vehicle can result in severe injury or death to operator, damage to towing vehicle, and/or attachment if not used properly. Follow all towing safety precautions noted in the towing vehicle owner's manual, including the following precautions:

- Ensure the combined weight of the towing vehicle (tow vehicle weight + operator weight) is greater than the maximum towed weight of attachment (empty attachment weight + weight of load).
- Do not exceed maximum towing capacity of towing vehicle.
- Do not exceed the maximum drawbar pull rating of the towing vehicle. Drawbar pull is the horizontal force required to pull the attachment (including weight of load).
- Only tow this product in the vehicle's tow mode/speed setting or less than 5 mph. Do not exceed 5 mph.
- Towing speed should always be slow enough to maintain control. Travel slowly and use caution when traveling over rough terrain. Avoid holes, rocks and roots.
- Slow down before you turn and do not turn sharply.
- Use wide turning angles to ensure the attachment follows the path of the towing vehicle.
- Do not use attachment on steep slopes. A heavy load could cause loss of control or overturn attachment and towing vehicle. Additional weights may need to be added to your vehicle; check with towing vehicle manufacturer for recommendations.
- Reduce towed weight when operating on slopes.
- Keep all movement on slopes slow and gradual. Do not make sudden changes in speed, directions, or turning.
- If you start and stop suddenly on hills, you may lose steering control or the towing vehicle may tip. Do not start or stop suddenly when going uphill or downhill. Avoid uphill starts.
- Slow down and use extra care on hillsides. Turf conditions can affect vehicle stability. Use extreme caution while operating near drop-offs.
- Do not drive close to creeks, ditches and public high ways.
- Watch out for traffic when crossing near roadways.
- Use care when loading or unloading the vehicle into a trailer or truck.
- The attachment can obstruct the view to the rear. Use extra care when operating in reverse.
- When reversing, carefully back-up straight to avoid jackknifing. Do not allow towing vehicle wheels to contact attachment draw bar. Damage could result.
- Stop on level ground, disengage drives, set the parking brake, and shut off engine before leaving the operator's position for any reason including emptying the attachment.
- Use this attachment for intended purpose only.
- This attachment is intended for use in lawn care and home applications. Do not tow behind a vehicle on a highway or in any high speed applications. Do not tow at speeds higher than the maximum recommend towing speed.
- Do not tow this product behind a motor vehicle such

as a car or truck.

- Always wear substantial footwear. Do not wear loose fitting clothing that can get caught in moving parts.
- Keep your eyes and mind on your towing vehicle, attachment and area being covered. Do not let other interests distract you.
- Stay alert for holes and other hidden hazards in the terrain
- Keep the towing vehicle and attachment in good operating condition and keep safety devices in place.
- The towing vehicle and attachment should be stopped and inspected for damage after striking a foreign object. Any damage should be repaired before restarting and operating the equipment.
- Keep all parts in good condition and properly installed. Fix damaged parts immediately. Replace worn or broken parts. Replace all worn or damaged safety and instruction decals. Keep all nuts, bolts and screws tight.
- Do not modify the attachment or safety devices. Unauthorized modifications to the towing vehicle or attachment may impair its function, safety and void the warranty.

## TOWING VEHICLE AND TOWING SAFELY

- Know your towing vehicle controls and how to stop safely. READ YOUR TOWING VEHICLE OWNER'S MANUAL before operating.
- Check the towing vehicle brake action before you operate. Adjust or service brakes as necessary.
- Stopping distance increases with speed and weight of towed load. Travel slowly and allow extra time and distance to stop.
- Use only approved hitches. Tow this attachment only with a towing vehicle that has a hitch designed for towing. Do not connect this attachment except at the approved hitch point.
- Follow the tow vehicle manufacture's recommendations for weight limits for towed equipment and towing on slopes. Use counterweights or wheel weights as described in the towing vehicle operator's manual. Do not shift to neutral and coast downhill.
- Do not allow children to operate the towing vehicle. Do not allow adults to operate the towing vehicle without proper instruction or without having read the owner's manual.

## PROTECT THOSE AROUND YOU

- Before you operate any feature of this attachment or towing vehicle, observe your surroundings and look for bystanders.
- Keep children, bystanders and pets at a safe distance away while operating this or any attachment.
- Use care when reversing. Before you back up, look carefully behind for bystanders.

## KEEP RIDERS OFF TOWED ATTACHMENT AND TOWING VEHICLE

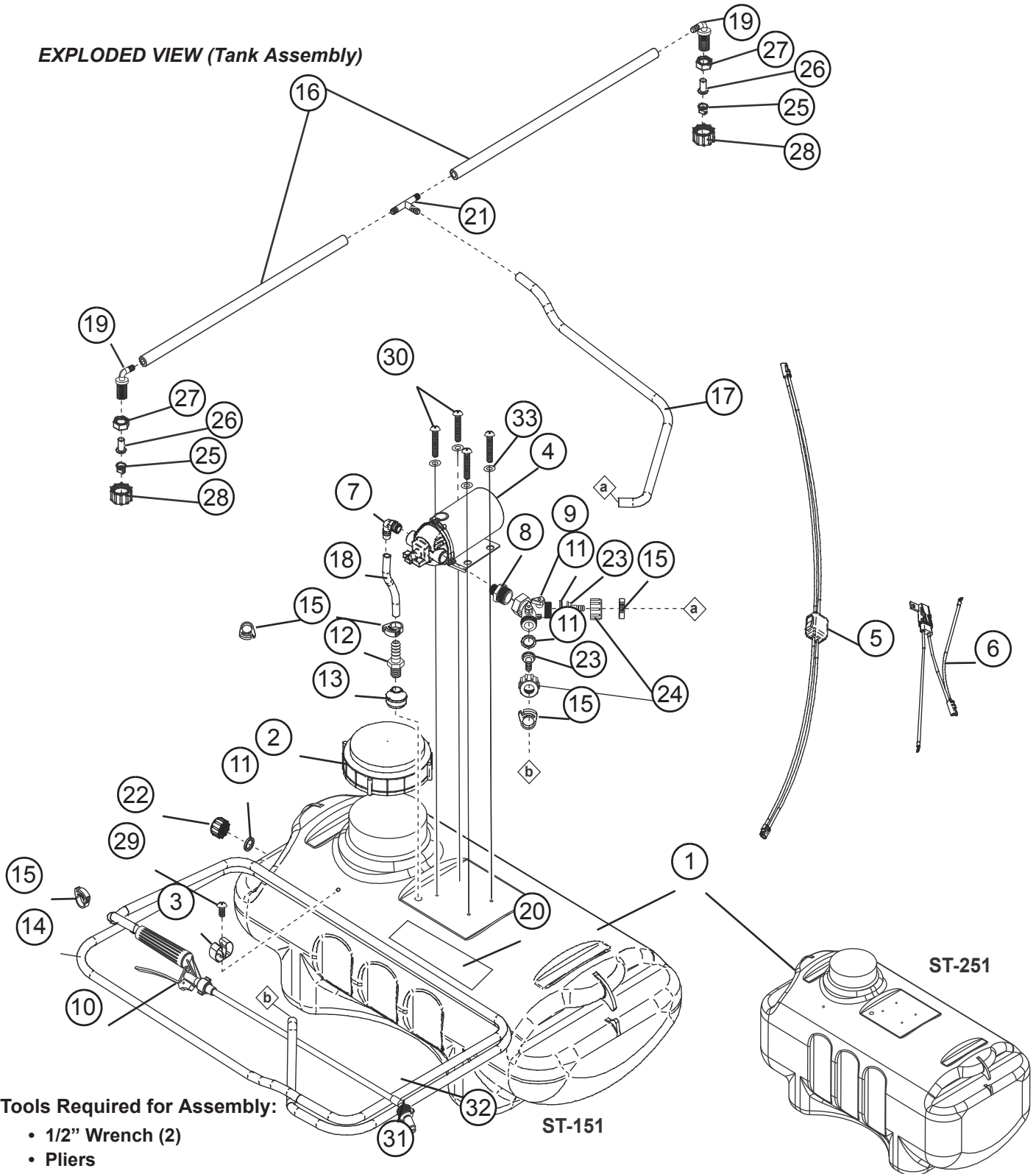
- Do not carry passengers.
- Do not let anyone, especially children, ride in/on this attachment, the towing vehicle or hitch bracket. Riders are subject to injury such as being struck by foreign object and/or being thrown off during sudden starts, stops and turns. Riders may also obstruct the operator's view resulting in this attachment being operated in an unsafe manner.

## Sprayer Specific Safety Information

- Caution should always be exercised when working on or near batteries.
- Heavy gloves and eye protection should be worn when making connections to the battery.

# PARTS REFERENCE

EXPLODED VIEW (Tank Assembly)



**Tools Required for Assembly:**

- 1/2" Wrench (2)
- Pliers
- Tape Measure
- Safety Glasses
- Gloves

# PARTS REFERENCE

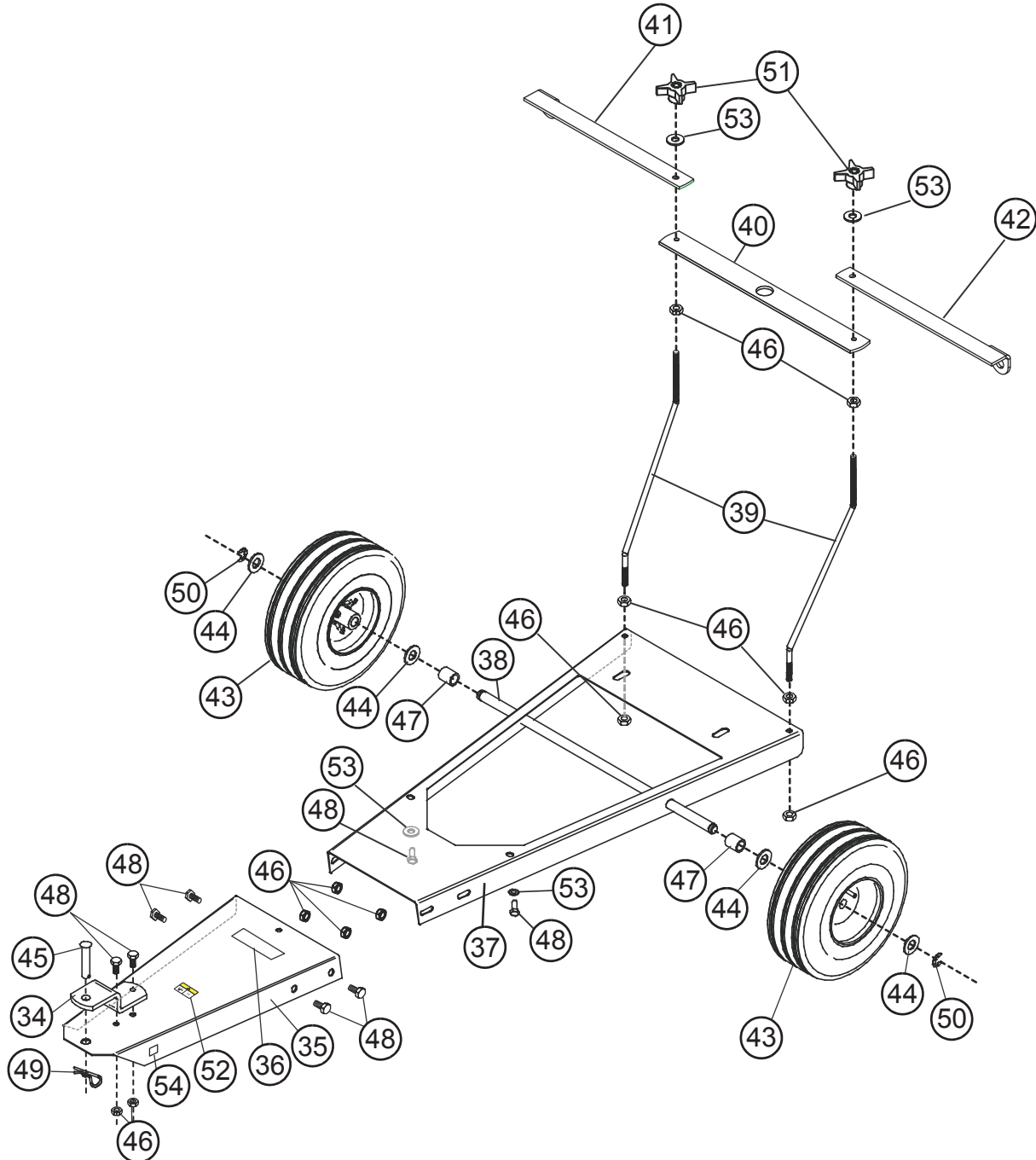
## PARTS LIST (Tank Assembly)

REF NO.	ST-151 PART NO.	ST-251 PART NO.	DESCRIPTION	QTY.
1.	B-6026	B-6025	Sprayer Tank	1
2.	B-6028	B-6028	Tank Cap	1
3.	B-6511	B-6511	Clip, Wand Holder	1
4.	B-6027	B-6027	Pump, 2.0 GPM CE rated	1
5.	B-6030	B-6030	Wiring Harness w/switch	1
6.	B-6031	B-6031	Wiring Harness, Battery Connection	1
7.	B-6046	B-6046	Elbow 90 deg., 3/8 Inch MPT. x 3/8 Inch H.B.	1
8.	B-6513	B-6513	Nipple, Reducing, 3/8" MPT. x 3/4" MGHT	1
9.	B-6512	B-6512	Valve, Dual Ball Tee, F.M.P.T.	1
10.	B-6400	B-6400	Hand Wand (B-6583 - Tip only for service)	1
11.	B-6054	B-6054	Washer, Black Vinyl 1" OD x 3/4 Inch ID	3
12.	B-6598	B-6598	Adapter, 1/4 Inch M.P.T. x 3/8 Inch H.B.	1
13.	B-6597	B-6597	Strainer, 1/4 Inch, #40 mesh	1
14.	B-6033	B-6033	Hose, 3/8" ID x 12 ft.	1
15.	B-6047	B-6047	Hose Clamp	*5
16.	B-6035	B-6035	Hose, 3/8" ID x 22 Inch	2
17.	B-6034	B-6034	Hose, 3/8" ID x 38 Inch	1
18.	B-6088	B-6087	Hose, 3/8" ID x 12 or 17 Inch	1
19.	B-6043	B-6043	Nozzle Body, 90 deg, 3/8 Inch H.B.	2
20.	B-6020	B-6020	Caution Decal	1
21.	B-6045	B-6045	Hose Barb, 3/8 Inch to 3/8 Inch	1
22.	B-6578	B-6578	Drain Cap 3/8 Inch	1
23.	B-6055	B-6055	Hose Barb, Flat Seat, 3/8 inch H.B.	2
24.	B-6056	B-6056	Nut, Hose Swivel, 3/4 inch F.G.H.T.	2
25.	S-1148	S-1148	Tip, Sprayer 90°	2
26.	B-6040	B-6040	Strainer, Nozzle	2
27.	B-6041	B-6041	Jamb Nut, Nozzle Fitting	2
28.	B-6042	B-6042	Nut, Tip Fitting	2
29.	22M0606P	22M0606P	Screw, #10-24 x 3/8 Inch	1
30.	22M0616P	22M0616P	Screw, #10-24 x 1 Inch	4
31.	B-6583	B-6583	Tip, Hand Wand	1
32.	B-6584	B-6584	Nut, Hand Wand	1
33.	45M0909P	45M0909P	Washer, SAE Flat, 1/4"	4

\* Extra hose clamp included.

# PARTS REFERENCE

## EXPLODED VIEW (Trailer Assembly)



### Tools Required for Assembly:

- 1/2" Wrench (2)
- Pliers
- Tape Measure
- Safety Glasses