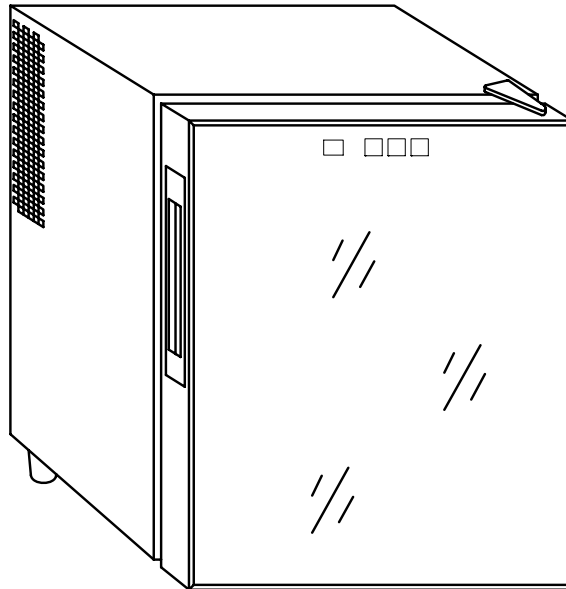




Thermal Electric Wine & Beverage Chiller

Model: WC-20TL

(20 Standard Bottle Capacity)



Instruction Manual

**READ AND SAVE THESE IMPORTANT SAFETY
INSTRUCTIONS BEFORE USING THIS APPLIANCE**

IMPORTANT SAFETY INSTRUCTIONS

READ ALL INSTRUCTIONS BEFORE USING THIS WINE COOLER

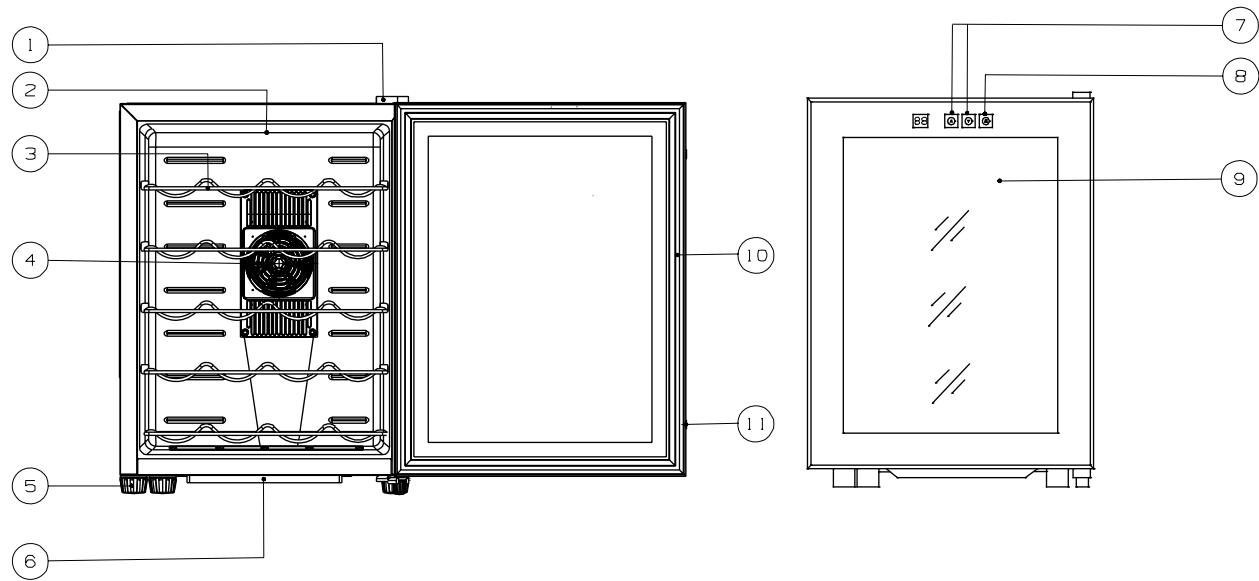
When using an electrical appliance, basic precautions should always be followed, including the following:

- Use this appliance only as described in this manual. Other uses not recommended may cause fire, electric shock or personal injury.
- To protect against electric shock, do not immerse unit, plug or cord in water or spray with liquids.
- Do not operate the appliance in the presence of explosive and/or flammable fumes.
- Do not place the appliance or any of its parts near an open flame, cooking or other heating appliance.
- The use of attachments not recommended by the manufacturer may be hazardous.
- Do not operate if the housing is removed or damaged.
- Close supervision is necessary when any appliance is used by or near children.
- Unplug the appliance from the outlet when not in use, when moving from one location to another and before cleaning.
- Locate the unit away from direct sunlight and sources of heat (stove, heater, radiator, etc.). Direct sunlight will affect / alter the housing of the appliance.
- The appliance must be placed on a flat and solid surface.
- Do not place any other appliances on top of the wine cooler.
- This product is for household use ONLY and not for commercial, industrial or outdoor use.
- To disconnect the appliance, grip the plug and pull from the wall outlet. Never pull by the cord.
- Never pull or lift the Wine Cooler by the cord.
- Keep the cord away from heated surfaces.
- Do not plug into the power socket before set up is completed.
- Do not operate the appliance with a damaged cord or plug, if the product malfunctions, or if it is dropped or damaged in any manner. If the supply cord is damaged, contact the manufacturer or qualified electrician.
- Do not open – do not attempt to repair, disassemble or modify this appliance.
- Before connecting, check that the voltage indicated on the appliance (back side of the appliance) corresponds with the main voltage in your home. If this is not the case, consult an electrician before use.
- This unit must be grounded. This equipment must be disconnected from the mains when not in use.
- Do not allow this unit to be exposed to rain or moisture.
- A loose fit between the AC outlet (receptacle) and plug may cause overheating and a distortion of the plug. Contact a qualified electrician to replace loose or worn outlet.
- Do not store or use gasoline and other flammable vapors/liquids inside this or any appliance.
- It is not recommended to use this wine cooler with an extension cord. Please ensure that the appliance is plugged directly into the electrical outlet.
- Do not place hot food or drink inside the wine cooler, as this may increase the inside temperature.
- Close the door immediately after putting in bottles so the inside temperature will not rise dramatically.
- Do not store food in this unit, as the interior temperature may not get cool enough to prevent spoilage.
- Use only mild detergents or glass cleaning products to clean. Never use harsh detergents or solvents.
- This appliance is designed to be free standing only, and should not be recessed or built-in (fully recessed).
- **Before you dispose the wine cooler:** remove the door and leave the shelves in place to prevent children from climbing inside and become entrapped; or take other action to ensure the cooler is harmless.
- Never allow children to operate, play with or crawl inside the appliance.

WARNING: To reduce the risk of fire, electric shock or personal injury, unplug or disconnect the appliance from the power supply before servicing.

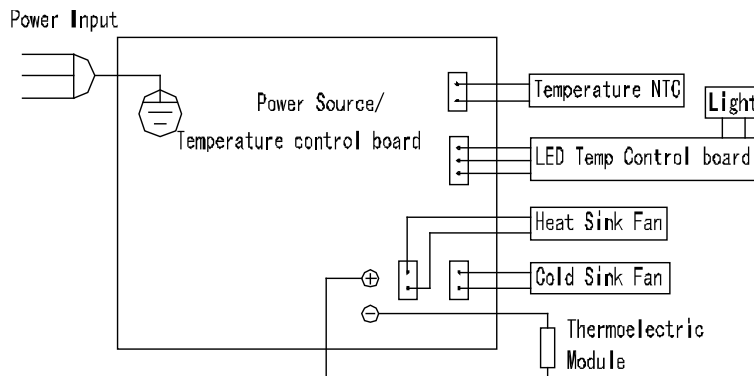
SAVE THESE INSTRUCTIONS FOR FUTURE USE

Parts Identification:



- | | |
|---------------|------------------------|
| 1. Rear Cover | 7. Temperature Control |
| 2. Light | 8. Light Switch |
| 3. Fan Mask | 9. Glass |
| 4. Shelf | 10. Magnetic Seal |
| 5. Foot | 11. Door Frame |
| 6. Water Box | |

Electro Circuit Control Diagram:



Locating your wine cellar:

It is recommended that the unit be placed where the ambient temperature is between 77-80.6°F. If the ambient temperature is above or below the recommended temperatures, the performance of the unit may be affected. For example, placing in extreme cold or hot conditions may cause interior temperature to fluctuate and the range of 54-66°F may not be reached.

- After transportation, allow the unit to stand upright for approximately 2 hours before connecting power source.
- Place your wine cellar on a flat surface that is strong enough to support it when fully loaded.
- Allow 5" of space at the rear and both sides of the wine cellar to allow proper ventilation.

- This wine cellar is designed as a freestanding unit and should not be recessed or built-in (fully recessed).
- Do not place heavy objects on top of the unit.
- Do not locate the unit in a moist place.
- Do not locate the wine cellar in direct sunlight.
- To level the appliance, adjust the front legs at the bottom.

ALWAYS REMOVE ALL BOTTLES BEFORE MOVING THE WINE CELLAR

Installation Instructions:

1. Remove any exterior and interior packaging.
2. Clean the interior with a damp cloth.
3. Unpack the power cord from the back of the wine cellar
4. Plug the power plug into an exclusive standard 115V outlet.

Setting the temperature control:

For wine to last as long as the wine maker suggests it needs to be stored in the correct conditions. Badly stored wines may age prematurely, oxidize and become undrinkable in a very short period of time. Wine experts recommend a constant temperature of 54-57°F as ideal for storing red wine.

1. Insert the plug into the power socket.
2. Allow the empty wine cooler to operate for approx. one hour. This will allow the wine cooler to reach the desired temperature.
3. Press the "▲" or "▼" button on the control panel to set desired temperature (54-66°F). Each press increases or decreases set temperature by 1°F.
4. Press the "Light" button on control panel to turn on or turn off the internal light.

Note:

- The temperature displayed on the control panel is the **actual temperature inside the cabinet**, ranging from 32 to 104°F. When setting desired temperature, the set temperature will be displayed for 3 seconds. After which, the LED will return to displaying the actual interior temperature.
- The LED back light will turn on when any of the 3 buttons are pressed and turn off after 1 minute.
- If the ambient temperature is above or below the recommended temperatures, the performance of the unit may be affected. For example, placing in extreme cold or hot conditions may cause interior temperature to fluctuate. The unit may not be able to reach the set temperature.
- Note: the interior temperature may fluctuate depending on whether the interior light is on or off. Keep the light turned off when not in use.
- During normal operation, condensation may collect inside the wine cellar. It is best to wipe away the water condensation with a dry cloth.

Recommended temperatures for chilling wine:

	<u>Degrees</u>
Full Red	59 ~ 65°F
Light Red	54 ~ 57°F
White & Rose	46 ~ 57°F
Sparkling Wine & Champagne	41 ~ 47°F

(Note: this thermoelectric unit cannot cool lower than 54°F – may not be suitable for storage of champagne, sparkling wine and white wines)

Interior Light Information:

The interior light source of the wine cellar consist of LED lighting which is long lasting and very energy efficient. LED lights will usually last for many years. If for any reason the LED lights stop burning and you have determined that they no longer work, please contact our customer service department (800-330-0388 or service@sunpentown.com).

Cleaning instructions:

ALWAYS UNPLUG THE UNIT FROM THE WALL AND REMOVE BOTTLES PRIOR TO CLEANING.

- Never use harsh chemicals to clean the housing as it may damage the finish. Best to use a clean, damp cloth.
- Do not spray liquid of any type onto the unit.
- If the interior is extremely dirty, wash the inside surface with a warm water and baking soda solution. The solution should be about 2 tablespoons of baking soda to a quart (1 liter) of water.
- Wash the racks with a mild detergent solution.
- Remove water box at the bottom and clean.
- The outside of the wine cellar should be cleaned only with a mild detergent solution.
- Always dry all parts with a clean dry cloth before plugging the wine cellar back into the receptacle.

AVOID ABRASIVE PRODUCTS SUCH AS SCOURING PADS AND POWDERS. THEY WILL PERMANATELY DAMAGE THE FINISH OF YOUR WINE CELLAR

In addition to the cleaning tips listed above, it is recommended to clean the external fan of your wine cellar every 6 months. Build up of dirt, dust and hair can decrease the efficiency of the cooling system.

There are 2 effective methods to clean the external fan of your wine cellar:

- Use a vacuum cleaner.
- Alternatively compressed air in a container can be used to clean the fan. Ensure to follow the directions of the compressed air container to avoid damage or personal injury.

Transporting your wine cooler:

- Remove all bottles.
- Remove or securely tape down wine racks inside the wine cooler.
- Turn leveling legs up to the base to avoid damage.
- Tape the door.
- Be sure the unit remains in an upright position during transportation.

Technical Specifications:

Model	WC-20TL
Capacity	48L / 20 (standard) bottles
Rated Voltage	115V
Rated Frequency	60HZ
Current	1.0A (77°F)
Power Consumption	0.8 kWh/24 hrs (59°F)
Input power	70W (@ 77°F)
Maximum Temperature Variance	55.4°F
Temperature Control Range	54-66°F
Protection Class	I
Climate Class	SN ; N

Troubleshooting Guide:

Save time and money. Before you call for service, check the suggestions below.

SYMPTOM	POSSIBLE CAUSE
Vibrations	<ul style="list-style-type: none"> • Check to make sure the wine cooler is level.
The door will not close properly	<ul style="list-style-type: none"> • The wine cooler is not on a level surface. • Wine racks are out of position. • Door was reversed and not properly installed.
Fan is always running.	<ul style="list-style-type: none"> • This is the functioning of the cooling system. The lower the setting, the more the fan will run. If ambient temperature is warmer than 77°F, fan will run more frequently. • The unit has been designed to run continuously when operating at lower temperatures
Unit has no power.	<ul style="list-style-type: none"> • Check the wall outlet for power. Make sure the outlet is not controlled by a wall switch
The unit does not operate	<ul style="list-style-type: none"> • It may not be plugged into the wall socket • Make sure the wall socket is functional by testing another electrical appliance in the power socket • Make sure the circuit breaker is not tripped or a fuse is blown
The unit will not cool. Power is On.	<ul style="list-style-type: none"> • Allow unit to stand upright for 2 hours before connecting power. • Check the temperature control setting. • Door is opened too frequently or not closed completely. <p>To achieve accurate temperature control, the unit should not be used or operated in any of the following locations:</p> <ul style="list-style-type: none"> • A sunny place or under direct sunlight. • Room with poor air circulation such as a garage. • Near another heat producing appliance (dishwasher, oven, refrigerator). • With an outlet shared with a refrigerator (it will drain power from the unit). • Built-in a wall recess, niche or cabinet. <p>And remember to have at least 5" of space around the unit.</p>
The inside temperature does not seem correct	<ul style="list-style-type: none"> • Make sure the cooling vents on each side of the cellar are not obstructed. Have at least 5" of space around the unit. • The unit will have difficulty cooling if the set temperature is 32°F below the ambient temperature. Example: if the ambient temperature is 86°F, the unit will have difficulty cooling down to 54°F. • When using the unit for the first time, it can take up to 24 hrs to reach the desired temperature



Your Guarantee

If this product is found to be faulty as a result of faulty materials or workmanship within one year from date of purchase, it will be repaired free of charge.

This guarantee is subject to the following terms:

- Sunpentown must be notified of the fault.
- Proof of purchase must be presented to Sunpentown's nominated representative.
- The warranty will be void if the product is modified, misused or repaired by an unauthorized person.
- The warranty after repair will not be extended beyond the original one-year period.
- All replacement parts will be new or reconditioned.
- Parts, which are replaced, become the property of Sunpentown.
- The warranty applies for the use of the product in the USA only.

What is NOT COVERED:

- Warranty does not include freight charges.
- Incidental or consequential damage caused by possible defects with this product.
- Damage to product caused by improper power supply voltage, accident, fire, floods or acts of nature.
- Failure of product resulting from unauthorized modifications to the product.
- Improper installation or failure to perform the necessary maintenance.

This GUARANTEE is in addition to your Statutory Rights

SUNPENTOWN INTERNATIONAL INC.
14625 Clark Ave, City of Industry, CA 91745
Tel: 1-800-330-0388
service@sunpentown.com
www.sunpentown.com