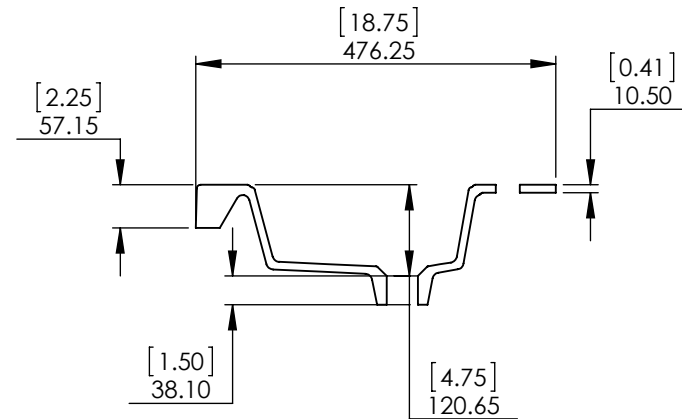
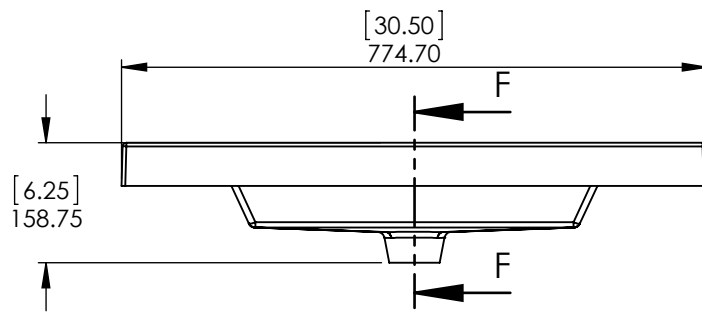
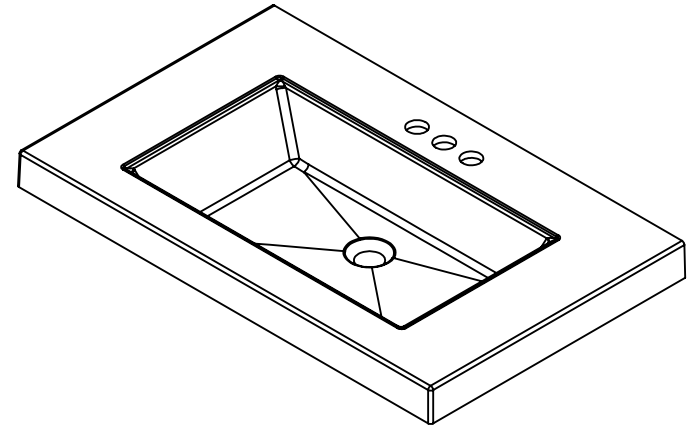
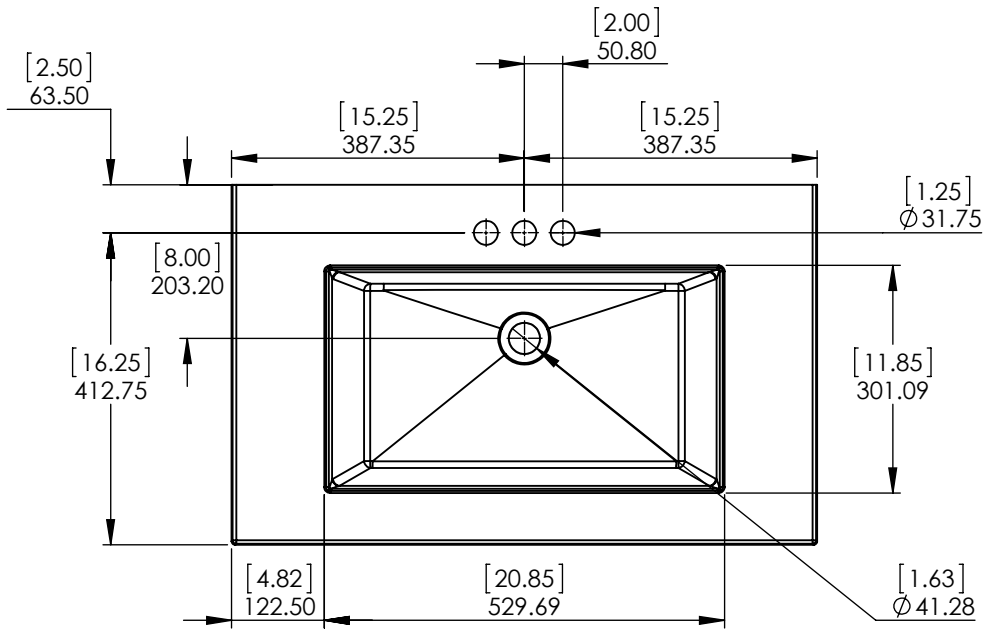


ID	Description	Technology	Status
595471	Vtop Oslo 30.5x18.75 White 4in	Solid White	Approved for production

Rev #	Approved by	Change
0	R. Rubio	Released



NOTE: MAX. WARPAGE  
TOLERANCE 1/8"

**PROPRIETARY AND CONFIDENTIAL**  
THE INFORMATION CONTAINED IN THIS DRAWING IS THE  
SOLE PROPERTY OF WOODCRAFTERS. ANY  
REPRODUCTION IN PART OR AS A WHOLE WITHOUT THE  
WRITTEN PERMISSION OF WOODCRAFTERS IS PROHIBITED.

UNLESS OTHERWISE SPECIFIED  
DIMENSIONS ARE IN MM.  
AND (INCHES)  
TOLERANCES ARE  
+0.125 [3.175] -0.125 [-3.175]  
SCALE:1:10

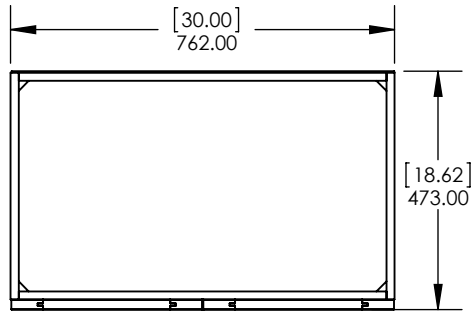
	NAME	DATE
DRAWN	J. Martinez	7/08/16
CHECKED	E. Sandoval	7/08/16
ENG APPR.	R. Rubio	7/08/16
MFG APPR.	C. Leal	7/08/16

**Wood Crafters**

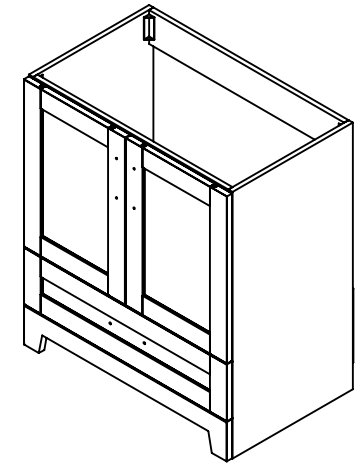
SIZE DWG. NO. SHEET 1 OF 1  
A Vtop Oslo 30.5x18.75 4in REV: 0

ITEM ID	DESCRIPTION
W2030P3-SE	30in Vanity w/Vanity Top & Mirror - Sage

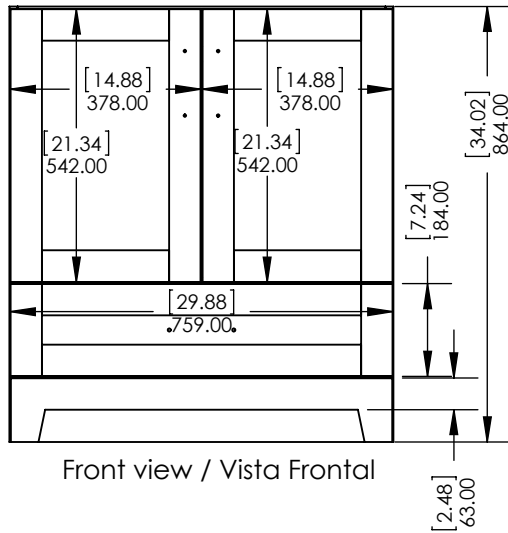
REV	ECO#	DESCRIPTION	REV'D BY DATE	CHK'D BY DATE	APRV'D BY DATE
0		RELEASE	AGS 06/04/19	KN 06/04/19	EC 06/04/19



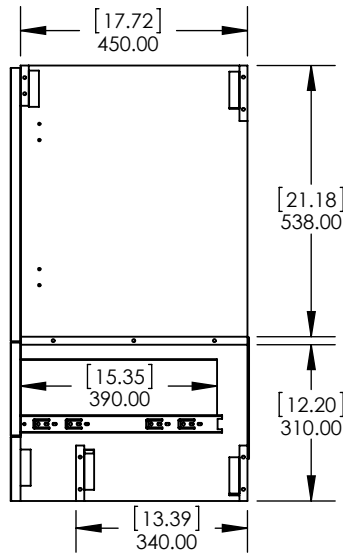
Top View / Vista Superior



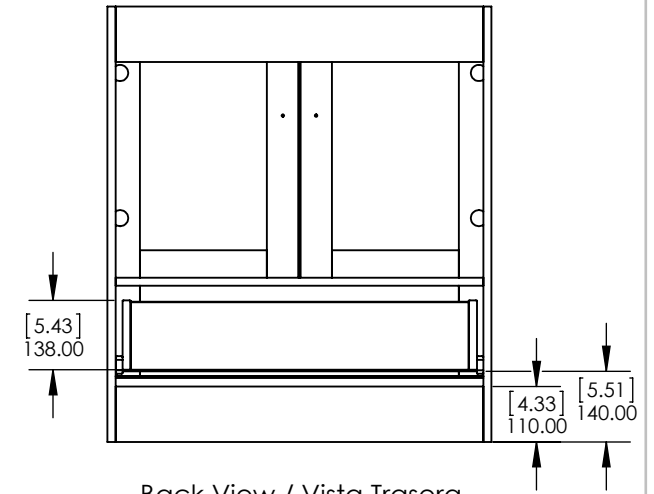
Isometric View / Vista Isometrica



Front view / Vista Frontal



Side View / Vista Lateral



Back View / Vista Trasera



**PROPRIETARY AND CONFIDENTIAL**  
 THE INFORMATION CONTAINED IN THIS DRAWING IS THE SOLE PROPERTY OF WOODCRAFTERS HOME PRODUCTS L.L.C. ANY REPRODUCTION IN PART OR AS A WHOLE, WITHOUT THE WRITTEN PERMISSION OF WOODCRAFTERS HOME PRODUCTS L.L.C. IS PROHIBITED.

Tolerancia no especificada

Lineal ±0.5mm  
 Angular ±0.5°

Drawn By /  
 Dibujado por: Adolfo Gallegos 06/04/19  
 Checked By /  
 Revisado Por: Karina Navarro 06/04/19  
 Approved By /  
 Revisado Por: Eduardo Cisneros 06/04/19

Cabinet Name/Nombre de Gabinete:  
 30in Vanity w/Vanity Top  
 & Mirror - Sage

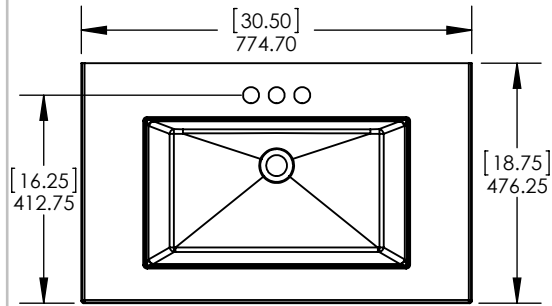
# of Drawing/ de Dibujo:

PAGE 1 OF 1

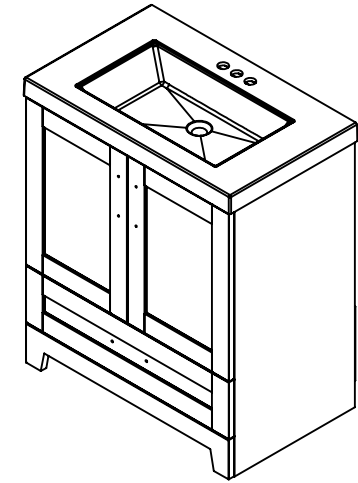
REV: 0

ITEM ID	DESCRIPTION
W2030P3-SE	30in Vanity w/Vanity Top & Mirror - Sage

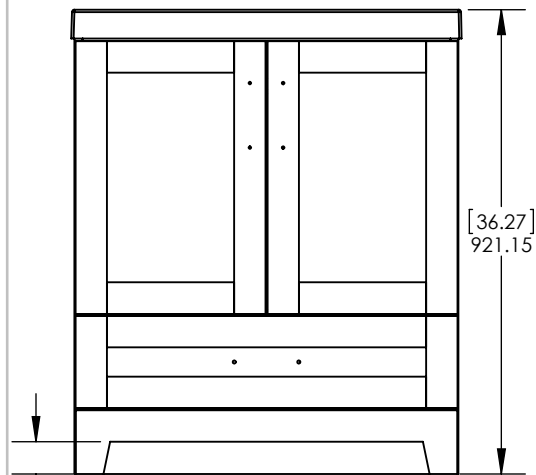
REV	ECO#	DESCRIPTION	REV'D BY DATE	CHK'D BY DATE	APRV'D BY DATE
0		RELEASE	AGS 06/04/19	KN 06/04/19	EC 06/04/19



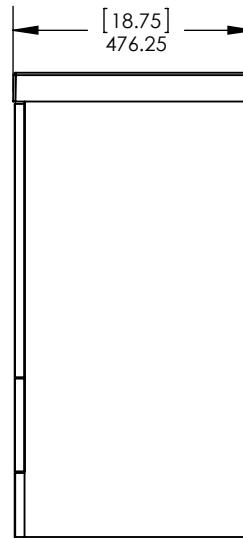
Top View / Vista Superior



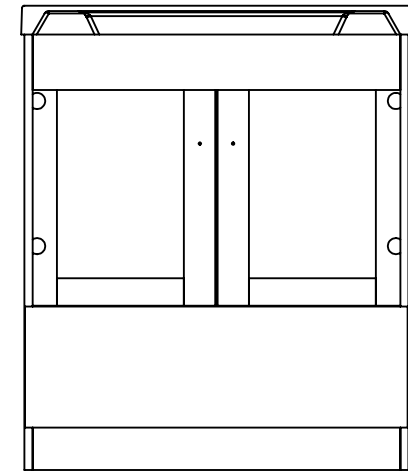
Isometric View / Vista Isometrica



Front view / Vista Frontal



Side View / Vista Lateral



Back View / Vista Trasera

**PROPRIETARY AND CONFIDENTIAL**  
 THE INFORMATION CONTAINED IN THIS DRAWING IS THE SOLE PROPERTY OF WOODCRAFTERS HOME PRODUCTS L.L.C. ANY REPRODUCTION IN PART OR AS A WHOLE, WITHOUT THE WRITTEN PERMISSION OF WOODCRAFTERS HOME PRODUCTS L.L.C. IS PROHIBITED.

Tolerancia no epsecificada

Lineal  
±0.5mm

Angular  
±0.5°

Drawn By / Dibujado por:	Adolfo Gallegos	06/04/19
Checked By / Revisado Por:	Karina Navarro	06/04/19
Approved By / Revisado Por:	Eduardo Cisneros	06/04/19

**Wood Crafters**<sup>®</sup>

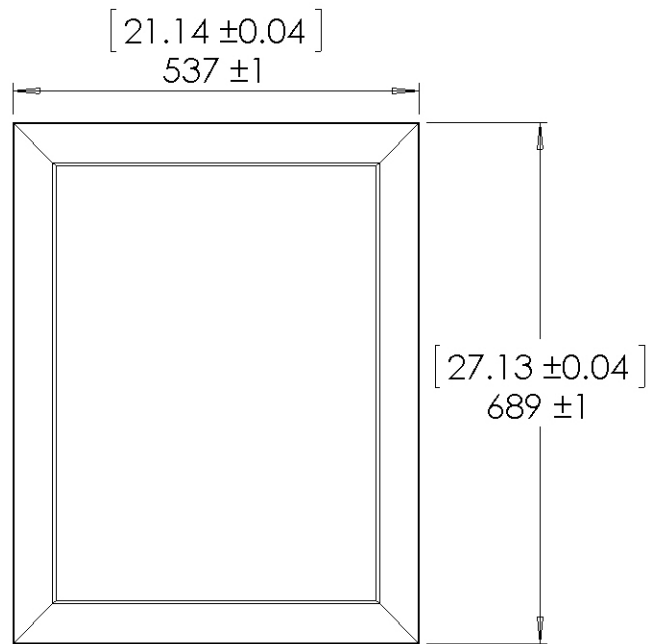
Cabinet Name/Nombre de Gabinete:  
30in Vanity w/Vanity Top  
& Mirror - Sage

FG ID:

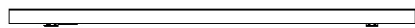
# of Drawing/ de Dibujo:

PAGE 1 OF 1

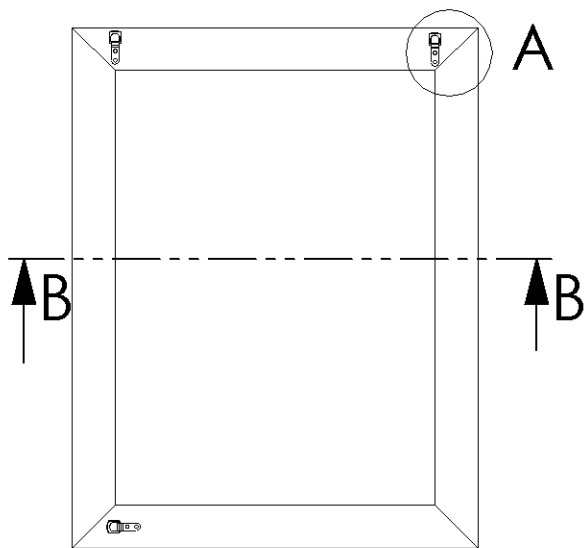
REV: 0



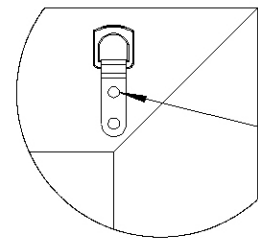
Vista frontal



Vista superior



Vista trasera

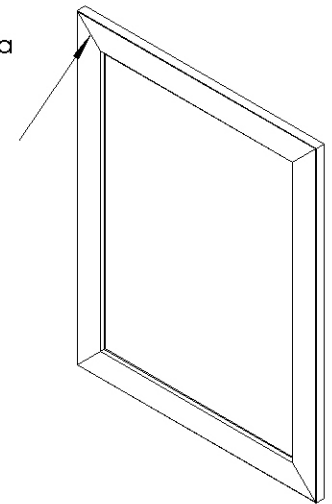


1 tornillo  
por bracket

### DETAIL A

SCALE 1 : 3

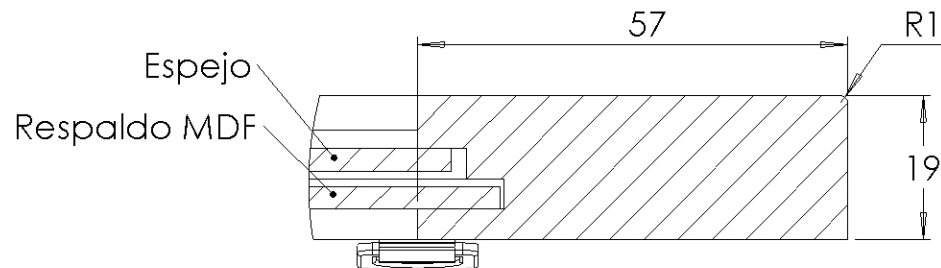
Tolerancia en abertura  
de corte 45°  
**Nominal** 0.2mm  
**Máxima** 0.5mm



Vista isométrica



### SECTION B-B



### DETAIL C

SCALE 1 : 1



ITEM: **296325** REV **A**

NOMBRE:  
**Wall Mirror 21.125x27.125in White**

MATERIAL:  
**MDF paper wrap**

<b>Propiedad y Confidencialidad</b> La información contenida en este dibujo es puramente propiedad de Woodcrafters Home Products LLC. Queda prohibida cualquier reproducción parcial o total sin el permiso por escrito de Woodcrafters Home Product LLC.	DIBUJO	AEP	15/04/19
	REVISO	ING	15/04/19
	APROBO	R&D	15/04/19
	ESCALA:	1:10	MODELO: