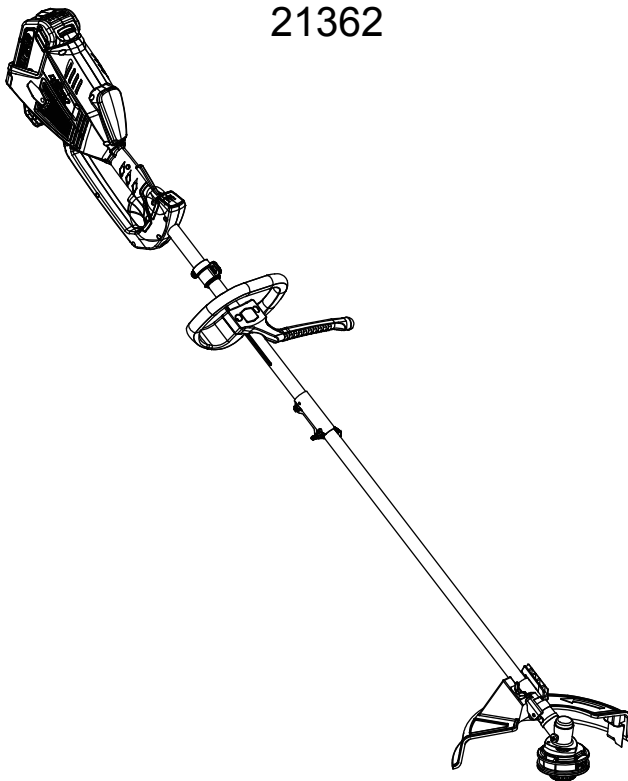

The logo for Greenworks, featuring the brand name in a white, lowercase, sans-serif font inside a dark, rounded hexagonal shape.

40V Brushless String Trimmer

21362



Owner's Manual

TOLL-FREE HELPLINE: 1-888-90WORKS (888.909.6757)

 Read all safety rules and instructions carefully before operating this tool.

CONTENTS

Introduction.....	2
Important Safety Instructions.....	3-5
Symbols.....	6-7
Know your power head	8-9
Assembly	9-12
Operation.....	12-16
Maintenance	16-17
Troubleshooting	17
Warranty.....	18
Exploded view and Part list.....	19-20

SPECIFICATIONS

40V brushless string trimmer

Type.....	Cordless, battery-powered
Motor	40 V
String Cutting Width.....	14 in.
String Diameter.....	0.080 in. max.
Weight	15 lbs(6.8kg)



IMPORTANT SAFETY INSTRUCTIONS

WARNING

Read and understand all instructions before using this product. Failure to follow all instructions listed below may result in electric shock, fire, and/or serious personal injury.

- Do not operate power tools in explosive atmospheres, such as in the presence of flammable liquids, gases, or dust. Power tools create sparks which may ignite the dust or fumes.
- Do not allow children or untrained individuals to use this unit.
- Don't expose power tools to rain or wet conditions. Water entering a power tool will increase the risk of electric shock.
- Do not handle plug or tool with wet hands.
- Never allow children to operate the equipment. Never allow adults to operate the equipment without proper instruction.
- Always wear safety glasses with side shields. Everyday glasses have only impact resistant lenses. They are NOT safety glasses. Following this rule will reduce the risk of eye injury. Use face mask if operation is dusty.
- Wear eye protection when operating this product. Secure long hair above shoulder level to prevent entanglement in moving parts.
- Use extra care when cleaning on stairs.
- Do not expose to rain, store indoors.
- Do not operate in poor lighting.
- Keep all parts of your body away from any moving part.
- Keep hair, loose clothing, fingers and all body parts away from openings and moving parts.
- Wear heavy long pants, boots, and gloves. Avoid loose garments or jewelry that could get caught in moving parts of the machine or its motor.
- Do not force tool. Use the correct tool for your application. The correct tool will do the job better and safer at the rate for which it is designed.
- Do not operate the equipment while barefoot or when wearing sandals or similar lightweight footwear. Wear protective footwear that will protect your feet and improve your footing on slippery surfaces.
- Secure long hair so it is above shoulder level to prevent entanglement in any moving parts.
- Keep firm footing and balance. Do not overreach. Overreaching can result in loss of balance.
- Do not allow to be used as a toy. Close attention is necessary when used by or near children.
- Do not use tool if switch does not turn it on or off. Any tool that cannot be controlled with the switch is dangerous and must be repaired.
- Keep all bystanders, children, and pets at least 50 ft. away.
- Do not operate this unit when you are tired, ill, or under the influence of alcohol, drugs, or medication.
- Do not operate in poor lighting.

IMPORTANT SAFETY INSTRUCTIONS

- Keep all parts of your body away from any moving parts and all hot surfaces of the unit.
- Do not put any object into openings. Do not use with any opening blocked; keep openings free of dust, lint, hair, and anything that may reduce air flow.
- Check the work area before each use. Remove all objects such as rocks, broken glass, nails, wire, or string which can be thrown or become entangled in the machine.
- Use only identical manufacturer's replacement parts and accessories. Use of any other parts may create a hazard or cause product damage.
- Do not charge battery tool in rain, or damp or wet location. Following this rule will reduce the risk of electric shock.
- For household use only.
- Battery tools do not have to be plugged into an electrical outlet; therefore, they are always in operating condition. Be aware of possible hazards when not using your battery tool or when changing accessories. Following this rule will reduce the risk of electric shock, fire, or serious personal injury.
- Remove or disconnect battery before servicing, cleaning or removing material from the gardening appliance.
- Use only Greenworks batteries.
- Store idle appliances - When not in use, string trimmer should be stored indoors in a dry, locked place out of the reach of children.
- Do not dispose of the batteries in a fire. The cell may explode. Check with local codes for possible special disposal instructions.
- Do not open or mutilate the batteries. Released electrolyte is corrosive and may cause damage to the eyes or skin. It may be toxic if swallowed.
- Do not place battery tools or their batteries near fire or heat. This will reduce the risk of explosion and possibly injury.
- Batteries can explode in the presence of a source of ignition, such as a pilot light. To reduce the risk of serious personal injury, never use any cordless product in the presence of open flame. An exploded battery can propel debris and chemicals. If exposed, flush with water immediately.
- Do not crush, drop or damage battery pack. Do not use a battery pack or charger that has been dropped or received a sharp blow. A damaged battery is subject to explosion. Properly dispose of a dropped or damaged battery immediately.
- Exercise care in handling batteries in order not to short the battery with conducting materials such as rings, bracelets, and keys. The battery or conductor may overheat and cause burns. Do not open or mutilate the batteries. Released electrolyte is corrosive and may cause damage to the eyes or skin. It may be toxic if swallowed.
- For best results, your battery tool should be charged in a location where the temperature is more than 50°F but less than 100°F. To reduce the risk of serious personal injury, do not store outside or in vehicles.
- Under extreme usage or temperature conditions, battery leakage may occur. If liquid comes in contact with your skin, wash immediately with soap and water, then neutralize with lemon juice or vinegar. If liquid gets into your eyes, flush them with clean water for at least 10 minutes, then seek immediate medical attention. following this rule will reduce the risk of serious personal injury.

IMPORTANT SAFETY INSTRUCTIONS

- If the power supply cord is damaged, it must be replaced only by the manufacturer or by an authorized service center to avoid risk.
- Do not point the string trimmer in the direction of people or pets.
- When not in use, string trimmer should be stored indoors in a dry, locked up place—out of the reach of children.
- Maintain tool with care. Keep fan area clean for best and safest performance. follow instructions for proper maintenance. Do not attempt to clear clogs from tool without first unplugging it.
- To reduce the risk of electrical shock, do not expose to rain, do not use on wet surfaces. Store indoors.
- Save these instructions. Refer to them frequently and use them to instruct others who may use this power tool. If you loan someone this power tool, loan them these instructions also.

CHILD SAFETY

Tragic accidents can occur if the operator is not aware of the presence of children.

- Keep children out of the working area and under the watchful care of a responsible adult.
- Do not allow children under the age of 14 to operate this trimmer. Children who are 14 years of age and older must read and understand the operating instructions and safety rules in this manual and must be trained and supervised by a parent.
- Stay alert, and turn the trimmer off if a child or any other person enters the working area.
- Look behind and down for small children before and while cutting backwards.
- Use extreme care when approaching blind corners, doorways, shrubs, trees, or other objects that may obscure your view of a child who may run into the path of the trimmer.

W A R N I N G (PROPOSITION 65)










Some dust created by power sanding, sawing, grinding, drilling, and other construction activities contains chemicals known to cause cancer, birth defects or other reproductive harm. Some examples of these chemicals are:

- Lead from lead-based paints
- Crystalline silica from bricks and cement and other masonry products, and
- Arsenic and chromium from chemically treated lumber.

Your risk of exposure to these chemicals varies depending on how often you do this type of work. To reduce your exposure to these chemicals, work in a well-ventilated area, and work with approved safety equipment, such as dust masks that are specially designed to filter out microscopic particles.




SYMBOLS

Some of the following symbols may be used on this product. Please study them and learn their meaning. Proper interpretation of these symbols will allow you to operate the product better and safer.

SYMBOL	NAME	DESIGNATION/EXPLANATION
V	Volts	Voltage
A	Amperes	Current
Hz	Hertz	Frequency (cycles per second)
W	Watts	Power
min	Minutes	Time
~	Alternating Current	Type of current
≡	Direct Current	Type or a characteristic of current
	Class II Construction	Double-insulated construction
	No Load Speed	Rational speed, at no load
/min	Per Minute	Revolutions, strokes, surface speed, orbits etc., per minute
	Wet Conditions Alert	Do not expose to rain or use in damp locations
	Read The Operator's Manual	To reduce the risk of injury user must read and understand operator's manual before using this product.
	Eye Protection	Wear eye protection when operating this equipment.
	Safety Alert	Precautions that involve your safety.
	Long Hair	Failure to keep long hair away from the air inlet could result in personal injury.
	Loose Clothing	Failure to keep loose clothing from being drawn into air intake could result in personal injury.
	Keep Bystanders Away	Keep all bystanders at least 50 ft. away.

SYMBOLS

The following signal words and meanings are intended to explain the levels of risk associated with this product.

SYMBOL	SIGNAL	MEANING
	DANGER	Indicates an imminently hazardous situation, which, if not avoided, will result in death or serious injury.
	WARNING	Indicates a potentially hazardous situation, which, if not avoided, could result in death or serious injury.
	CAUTION	Indicates a potentially hazardous situation, which, if not avoided, may result in minor or moderate injury.
	CAUTION	(Without Safety Alert Symbol) Indicates a situation that may result in property damage.

SERVICE

Servicing requires extreme care and knowledge and should be performed only by a qualified service technician. For service we suggest you return the product to your nearest **AUTHORIZED SERVICE CENTER** for repair. When servicing, use only identical replacement parts.

WARNING

To avoid serious personal injury, do not attempt to use this product until you have read this Owner's Manual thoroughly and understand it completely. If you do not understand the warnings and instructions in this Owner's Manual, do not use this product. Call the Toll-free Helpline (1-888-909-6757) for assistance. The operation of any power tool can result in foreign objects being thrown into your eyes, which can result in severe eye damage. Before operating a power tool, always wear safety goggles, safety glasses with side shields, or a full face shield when needed. We recommend a Wide Vision Safety Mask for use over eyeglasses or standard safety glasses with side shields. Always use eye protection that is marked to comply with ANSI Z87.1.

WARNING



The operation of any power tool can result in foreign objects being thrown into your eyes, which can result in severe eye damage. Before beginning power tool operation, always wear safety goggles or safety glasses with side shields and, when needed, a full face shield. We recommend Wide Vision Safety Mask for use over eyeglasses or standard safety glasses with side shields. Always use eye protection which is marked to comply with ANSI Z87.1.

SAVE THESE INSTRUCTIONS

KNOW YOUR STRING TRIMMER

KNOW YOUR STRING TRIMMER (See Figure 1.)

The safe use of this product requires an understanding of the information on the tool and in this operator's manual as well as a knowledge of the project you are attempting. Before use of this product, familiarize yourself with all operating features and safety rules, in both this manual and the operator's manuals for all attachments that you are using with this power head.

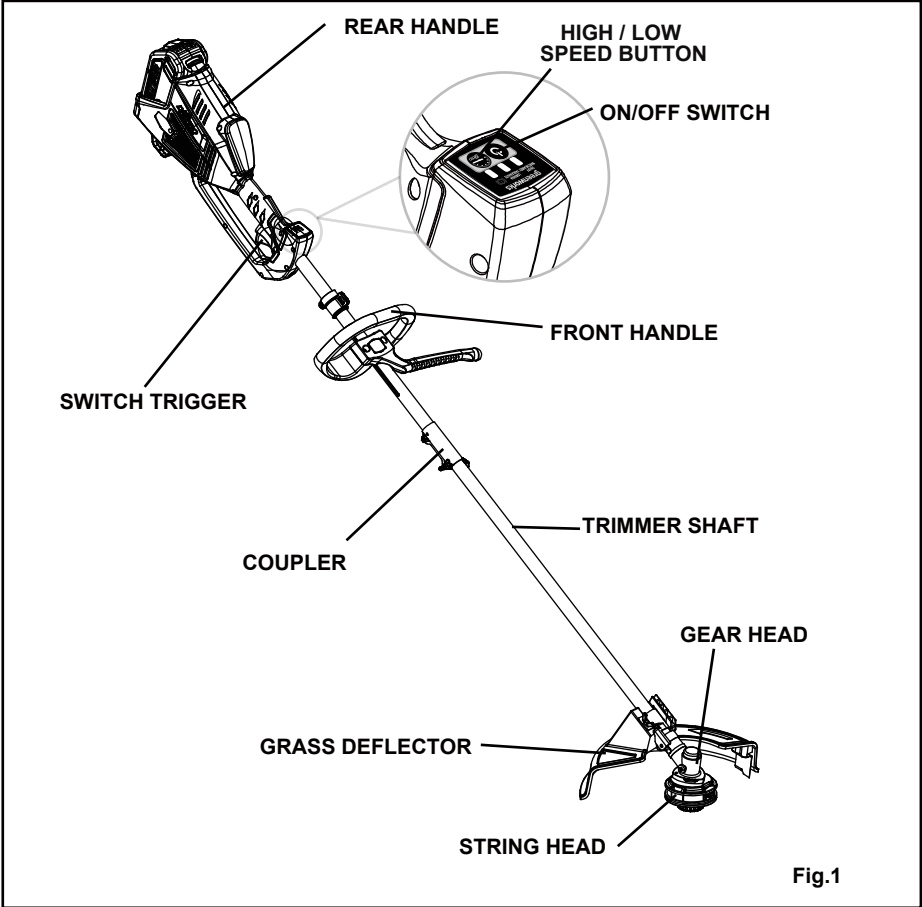


Fig.1

FRONT HANDLE

The power head is equipped with a front handle assembly for ease of operation and to prevent loss of control.

GRASS DEFLECTOR

The trimmer includes a grass deflector that helps protect you from flying debris.

ASSEMBLY

UNPACKING

This product requires assembly.

- Carefully remove the product and any accessories from the box. Make sure that all items listed in the packing list are included.
- Inspect the product carefully to make sure no breakage or damage occurred during shipping.
- Do not discard the packing material until you have carefully inspected and satisfactorily operated the product.
- If any parts are damaged or missing, please call 1-888-90WORKS for assistance.

WARNING

Do not use this product if any parts on the packing list are already assembled to your product when you unpack it. Parts on this list are not assembled to the product by the manufacturer and require customer installation. Use of a product that may have been improperly assembled could result in serious personal injury.

PACKING LIST

- Power Head
- Front Handle with Hardware
- Straight Shaft Trimmer Attachment
- Grass Deflector
- Operator's Manual

WARNING

If any parts are damaged or missing do not operate this product until the parts are replaced. Use of this product with damaged or missing parts could result in serious personal injury.

WARNING

Do not attempt to modify this product or create accessories not recommended for use with this product. Any such alteration or modification is misuse and could result in a hazardous condition leading to possible serious personal injury.

WARNING

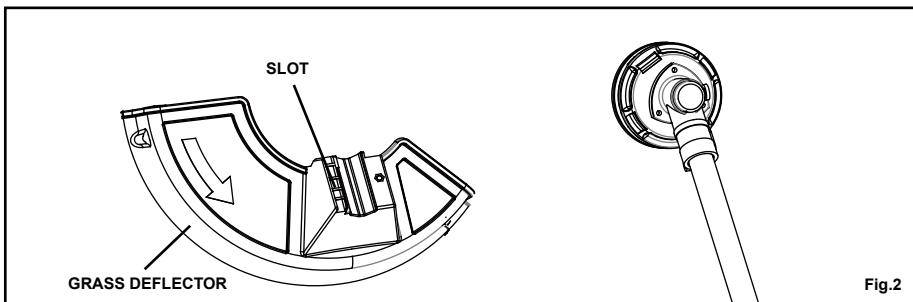
Do not connect to power supply until assembly is complete. Failure to comply could result in accidental starting and possible serious personal injury.

ATTACHING THE GRASS DEFLECTOR *(See Figure 2.)*

NOTE: Install the grass deflector before the attachment is connected to the power head.

- Remove the wing screw from the grass deflector.
 - Insert the tab on the mounting bracket in the slot on the grass deflector.
 - Align the screw hole in the mounting bracket with the screw hole in the grass deflector.
 - Insert the wing screw through the mounting bracket and into the grass deflector.
 - Tighten the screw securely.
-

ASSEMBLY



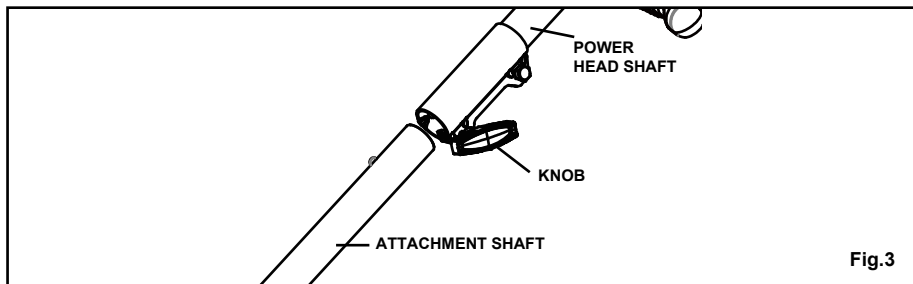
INSTALLING AN ATTACHMENT TO THE POWER HEAD(See Figure 3.)

⚠ WARNING

Read and understand entire Operator's Manual for each optional attachment used on this power head and follow all warnings and instructions. Failure to follow all instructions may result in electric shock, fire and/or serious personal injury.

⚠ WARNING

Never install, remove, or adjust any attachment while power head is running. Failure to stop the motor can cause serious personal injury. Never operate power head without an attachment.



NOTE: When using string trimmer attachments, use only .080 in. diameter line. The attachment connects to the power head by means of a coupler device.

- Loosen the knob on the coupler and remove the hanger cap from the attachment.
- Push in the button located on the attachment shaft. Align the button with the guide recess on the power head coupler and slide the two shafts together. Rotate the attachment shaft until the button locks into the positioning hole.

NOTE: If the button does not release completely in the positioning hole, the shafts are not locked into place. Slightly rotate from side to side until the button is locked into place.

- Tighten the knob securely.

ASSEMBLY

ATTACHING THE FRONT HANDLE(See Figure 4.)

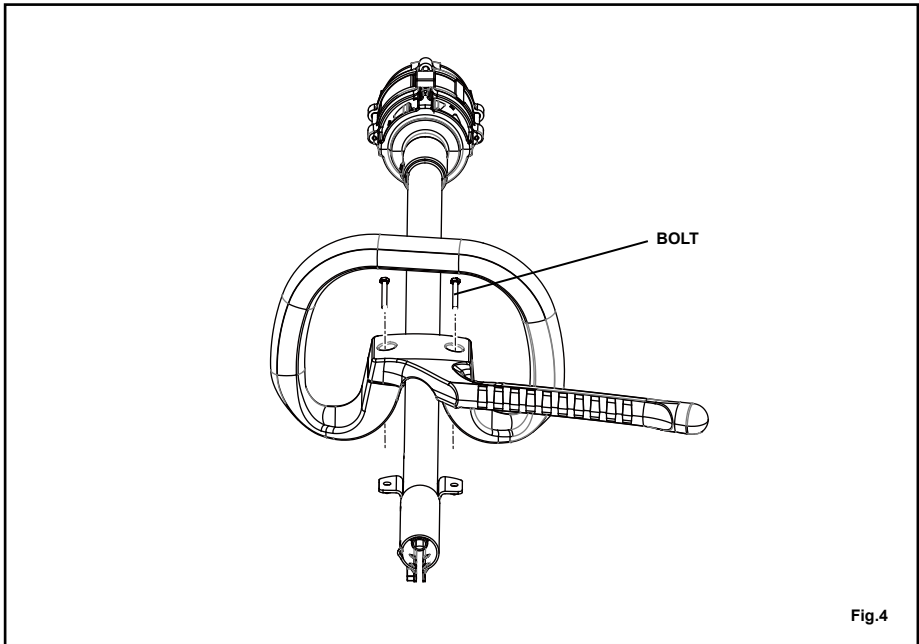


Fig.4

- Press the front handle onto the power head shaft so that the handle is angled toward the rear handle.
- Place the front handle along the power head shaft to a position that allows for comfortable operation.
- Slide the bolt through the holes in the front handle.
- Slide the washer onto the bolt.
- Place the wing nut onto the bolt and tighten the wing nut securely.

REMOVING THE ATTACHMENT FROM THE POWER HAED

For removing or changing the attachment:

- Stop the power head.
- Loosen the knob.
- Push in the button and twist the shafts to remove and separate ends.

OPERATION

WARNING

Read and understand entire Operator's Manual for each optional attachment used on this power head and follow all warnings and instructions. Failure to follow all instructions may result in electric shock, fire and/or serious personal injury.

WARNING

Do not allow familiarity with product to make you careless. Remember that a careless fraction of a second is sufficient to inflict serious injury.

WARNING

Always wear eye protection with side shields marked to comply with ANSI Z87.1. Hearing and/or head protection may also be required depending on the type of attachment used and as prescribed in the attachment's Operator's Manual. Failure to do so could result in objects being thrown into your eyes and other possible serious injuries.

WARNING

Do not use any attachments or accessories not recommended by the manufacturer of this product. The use of attachments or accessories not recommended can result in serious personal injury.

LOCK-OUT BUTTON (See Figure 5.)

The lock-out button reduces the possibility of accidental starting. The lock-out button is located on the handle above the switch trigger. The lock-out button must be depressed before you pull the switch trigger. The lock resets each time the trigger is released.

STARTING AND STOPPING THE TRIMMER (See Figure 5.)

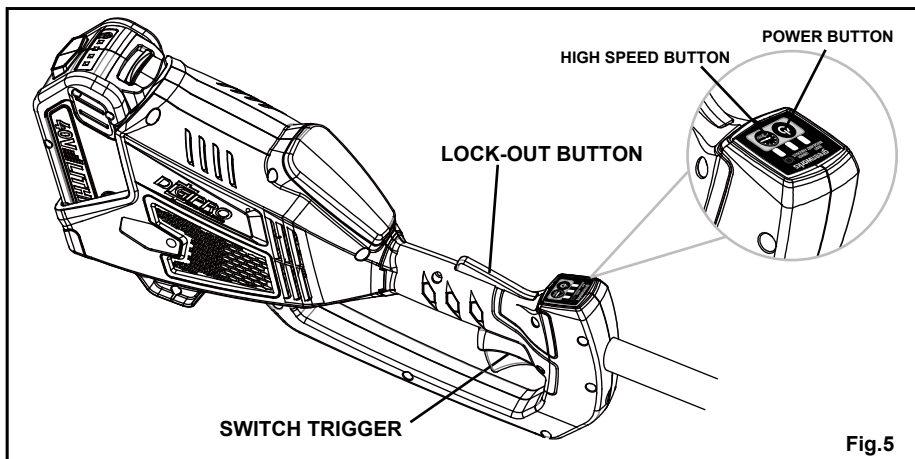
To start the power head:

- Press the power button
- Press high speed button to increase speed depending upon grass condition
- Depress the lock-out button and squeeze the switch trigger

To stop the power head:

- Release the switch trigger
- The unit will power itself down after being idle for 1 minute

OPERATION



OPERATING THE TRIMMER (See Figures 6)

⚠ WARNING

Motor housing may become hot during operation. Do not rest or place your arm, hand, or any body part against the motor housing during operation. Only hold the unit as shown in figures 7 - 13 (depending on attachment used) during trimmer operation with all body parts clear of motor housing (or as shown in the applicable attachment Operator's Manual). Extended contact with the motor housing may result in burns or other injuries.

⚠ WARNING

Always position the unit on the operator's right side. The use of the unit on the operator's left side will expose the user to hot surfaces and can result in possible burn injury.

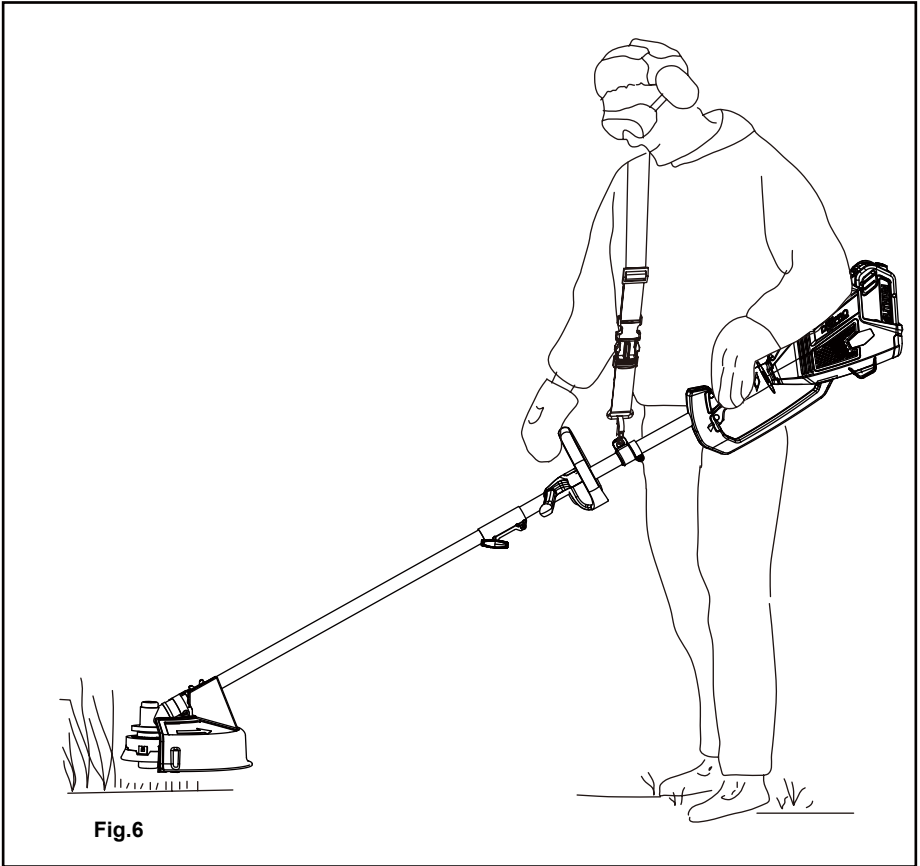
⚠ WARNING

To avoid burns from hot surfaces, never operate unit with the bottom of the motor above waist level..

Hold the power head with your right hand on the rear handle and your left hand on the front handle. Keep a firm grip with both hands while in operation. Power head should be held at a comfortable position with the rear handle about hip height.

Always operate power head at full throttle. If debris becomes wrapped around the attachment, RELEASE THE SWITCH TRIGGER, and remove the debris.

OPERATION



⚠ WARNING

Always hold the power head away from the body keeping clearance between the body and the product. Any contact with the attachment cutting head can result in burns and/or other serious personal injury..

⚠ WARNING

Extreme care must be taken when using a blade attachment to ensure safe operation. Read the safety information for safe operation when using a blade attachment and refer to the safety rules and instructions in your attachment manual. Never use a brush cutter attachment with this electric power head. Improper operation of a blade or any attachment could result in serious injury.

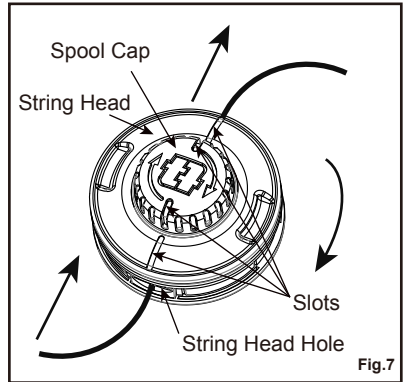
OPERATION

INSTALLING STRING IN STRING HEAD *See Figure 7*

1. Line up the slots on the spool cap with the slots on the string head.
2. Insert line through the string head hole.
Push line until it exits the opposite string head hole.
3. Pull the line through until there is an equal amount of line on each side.
4. Turn the spool cap clock-wise to begin winding the string into the string head. Leave approximately 5 inches of string protruding out of each side of the head.

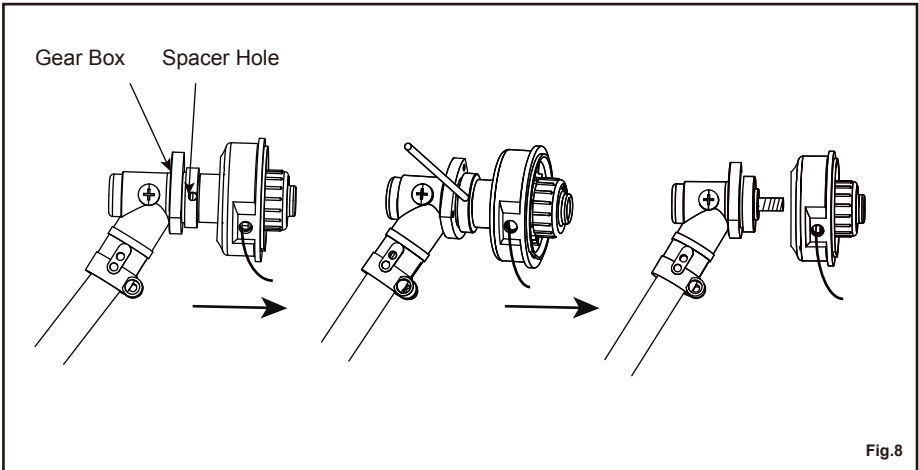
It is recommended that .080" line Diameter be used for this string head.

Note: Do not put more than 15 feet of line in at a time.



REMOVING / REPLACING STRING HEAD *See Figure 8*

1. Line up the spacer hole up with the hole in the gear box.
2. Place a small screw driver or metal rod (Not included) in the spacer hole.
3. Rotate the head clockwise to loosen and remove.
4. Reverse steps 1.-3. to reinstall the same string head.



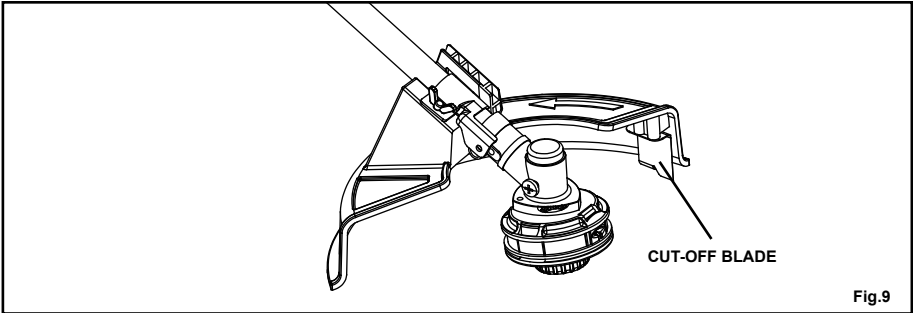
Note: If you put a different model string head on this unit please follow the manufacturer's instructions to install that head.

OPERATION

LINE TRIMMING CUT-OFF BLADE

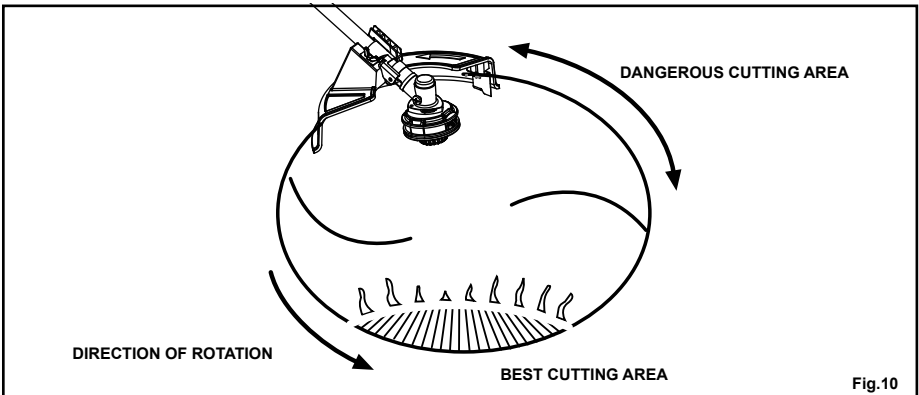
See Figure 9.

The trimmer is equipped with a line trimming cut-off blade on the grass deflector. Replace the string when trimming efficiency diminishes. This will maintain best performance.



CUTTING TIPS (See Figures 10)

- Avoid hot surfaces by always keeping the tool away from your body. (Proper operating position shown in figure 6.)
- Keep the trimmer tilted toward the area being cut; this is the best cutting area.
- The trimmer cuts when passing the unit from right to left. This will avoid throwing debris at the operator. Avoid cutting in the dangerous area shown in figure 10.
- Use the tip of string to do the cutting; do not force string head into uncut grass.
- Wire and picket fences cause extra string wear and breakage. Stone and brick walls, curbs, and wood may wear string rapidly.
- Avoid trees and shrubs. Tree bark, wood moldings, siding, and fence posts can easily be damaged by the string.



MAINTENANCE

⚠ WARNING

When servicing, use only identical replacement parts. Use of any other parts may create a hazard or cause product damage.

⚠ WARNING

Always wear eye protection with side shields marked to comply with ANSI Z87.1, along with hearing protection. Head protection may also be required depending on the type of attachment used and as prescribed in the attachment's Operator's Manual. Failure to do so could result in objects being thrown into your eyes and other possible serious injuries.

⚠ WARNING

Before inspecting, cleaning, or servicing the machine, shut off motor, wait for all moving parts to stop, and disconnect extension cord. Failure to follow these instructions can result in serious personal injury or property damage.

GENERAL MAINTENANCE

Avoid using solvents when cleaning plastic parts. Most plastics are susceptible to damage from various types of commercial solvents and may be damaged by their use. Use clean cloths to remove dirt, dust, lubricant, grease, etc.

⚠ WARNING

Do not at any time let brake fluids, gasoline, petroleum-based products, penetrating lubricants, etc., come in contact with plastic parts. Chemicals can damage, weaken or destroy plastic which may result in serious personal injury.

you can often make adjustments and repairs described here. For other repairs, have the power head serviced by an authorized service dealer.

CLEANING THE POWER HEAD

- Stop the motor and disconnect from power supply.
- Clean dirt and debris from the power head using a damp cloth with a mild detergent.

MAINTENANCE

NOTE: Do not use any strong detergents on the plastic housing or the handle. They can be damaged by certain aromatic oils such as pine and lemon, and by solvents such as kerosene.

STORING THE POWER HEAD

- Clean all foreign material from the product.
- Store it in a well-ventilated place that is inaccessible to children.
- Keep away from corrosive agents such as garden chemicals and de-icing salts.

TROUBLE SHOOTING

PROBLEM	CAUSE	SOLUTION
Motor fails to start when switch trigger is depressed.	Check battery charger Check power button	Recharge Push button

LIMITED FOUR-YEAR WARRANTY



GREENWORKS™ hereby warranties this product, to the original purchaser with **proof of purchase**, for a period of four (4) years against defects in materials, parts or workmanship. GREENWORKS™, at its own discretion will repair or replace any and all parts found to be defective, through normal use, free of charge to the customer. This warranty is valid only for units which have been used for personal use that have not been hired or rented for industrial/commercial use, and that have been maintained in accordance with the instructions in the owners' manual supplied with the product from new.

Battery carries a two (2) year warranty against defects in workmanship and materials. Batteries must be charged in accordance with the operator's manuals directions and regulations in order to be valid.

Brushless Motor: Lifetime to original purchaser

ITEMS NOT COVERED BY WARRANTY:

1. Any part that has become inoperative due to misuse, commercial use, abuse, neglect, accident, improper maintenance, or alteration; or
2. The unit, if it has not been operated and/or maintained in accordance with the owner's manual; or
3. Normal wear, except as noted below;
4. Routine maintenance items such as lubricants, blade sharpening;
5. Normal deterioration of the exterior finish due to use or exposure.

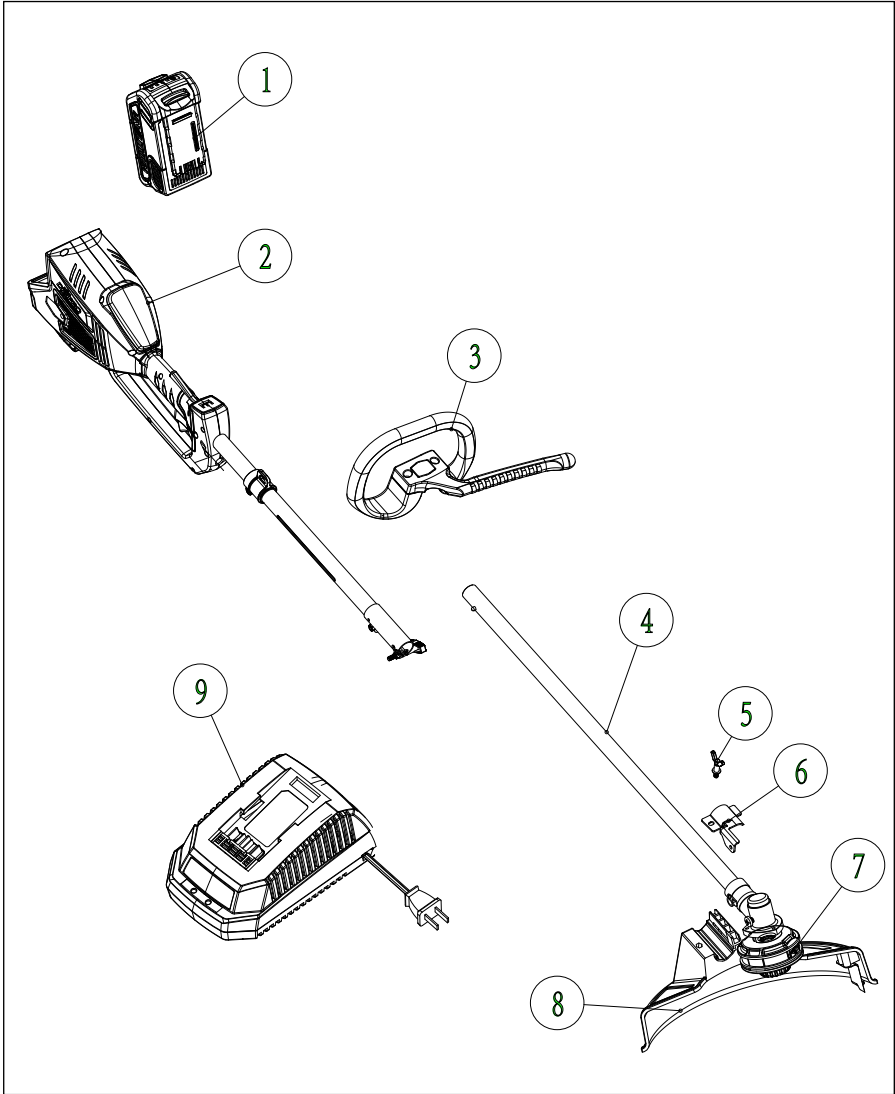
GREENWORKS HELPLINE (1 888 90WORKS):

Warranty service is available by calling our toll-free helpline, 9 a.m. to 5 p.m. EST. Monday – Friday at **1 888 909 6757 (1 888 90WORKS)**.

TRANSPORTATION CHARGES:

Transportation charges for the movement of any power equipment unit or attachment are the responsibility of the purchaser. It is the purchaser's responsibility to pay transportation charges for any part submitted for replacement under this warranty unless such return is requested in writing by GREENWORKS.

EXPLODED VIEW




PART LIST

ITEM NO.	PART NO.	DESCRIPTION	QTY
1	31104975	Battery	1
2	311232836	Upper shaft	1
3	31121836	Front handle	1
4	31112836	Lower shaft	1
5	34107511-3	Knob	1
6	33307825	Guard connecter	1
7	31110836	Trimmer head	1
8	31114836	Guard	1
9	31102998	Charger	1



TOLL-FREE HELPLINE: 1-888-90WORKS (888.909.6757)

Rev: 00 (02-10-14)

 Printed in China on 100% Recycled Paper