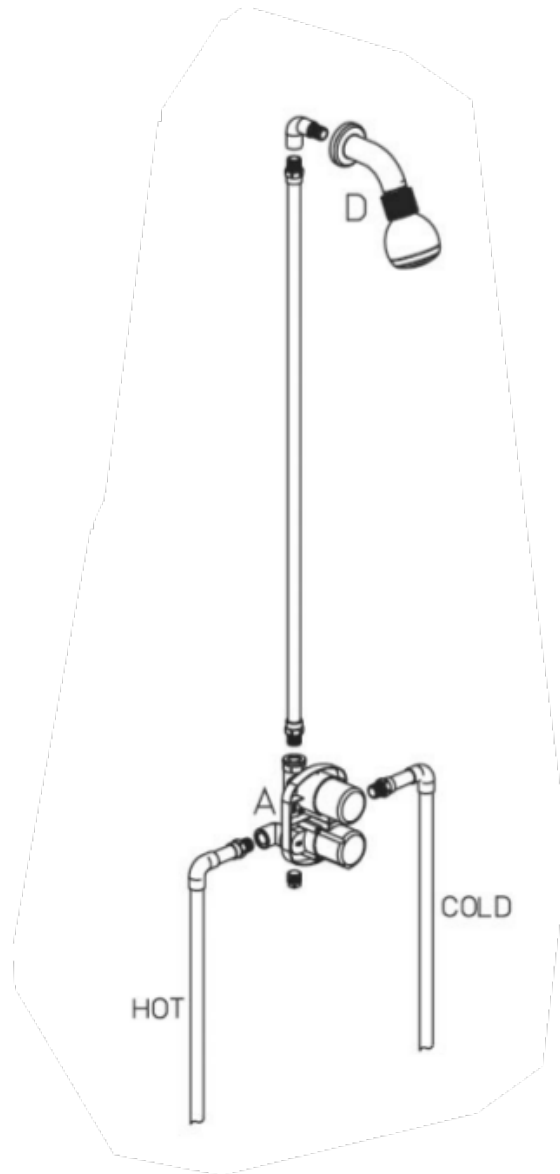


WH-OPTION 2



Single handle pull-down spray
kitchen faucet



Water Harmony Series

Shower Option 2

Traditional Styling

STANDARDS

- Compliant with ASME A112.18.1-B125.1
- Compliant with AB1953
- Compliant with ANSI NSF61 – Annex G
- Certified by CSA International
- Compliant with ANSI A117.1

Finishes

| | WH OPTION 2 CR | WH OPTION 2 PW |
|-----------------|----------------|----------------|
| Polished Chrome | X | |
| Brushed Nickel | | X |

Features

| | WH OPTION 2 CR | WH OPTION 2 PW |
|--|----------------|----------------|
| Solid Brass Construction | X | X |
| Meets NSF 61/9 Annex G Lead Requirements | X | X |
| ADA Compliant | X | X |
| Step-By-Step Installation Instructions | X | X |
| Limited Lifetime Warranty | X | X |
| 2.0 GPM | X | X |

1-866-668-6690
 1571 MAIN RD
 NEWFIELD, NJ 08344

www.paini-usa.com

