

SUREBONDER®

Model 9615A Upholstery Stapler



Narrow Crown



Uses
SUREBONDER® 300 series - 5/16" thru 5/8" (3/8" narrow crown)
22 gauge upholstery staples

For various Upholstery Applications, Cornices, Auto and Marine Vinyl Trim, Cabinet Backs, Small Furniture, Screen Door Repair, Molding, and Picture Frames

Includes: Allen wrench (2), pneumatic oil

Operating Instructions

Read All Safety Rules and Instructions Carefully
Save this manual for Future Reference

WARRANTY

If you have any problems with this tool, please call FPC Corporation toll-free at 1-800-860-3838 before returning it to the place of purchase.

FPC Corporation warrants this tool to be free from defects in material and workmanship, under normal conditions of use and when used in accordance with FPC operating instructions, for a period of 90 days from the date of purchase by the user. Within the 90 day warranty FPC at its option shall repair or replace tool. The tool must be returned at the distributor/user expense, either within warranty or out. Repaired or replaced tools will receive a 60 day warranty. **USER MUST BE USING THE PROPER STAPLES FOR THIS WARRANTY TO BE VALID. WARRANTY IS VOID IF INCORRECT TYPE OF STAPLES ARE USED.**

Visit us at surebonder.com for our full line of products



FPC Corporation - 355 Hollow Hill Drive - Wauconda, IL 60084
Phone: (847) 487-4583 Fax: (847) 487-0174
website: www.surebonder.com e-mail: sales@surebonder.com

IMPORTANT SAFETY WARNINGS

THE SAFETY WARNINGS BELOW CANNOT COVER ALL POSSIBLE SITUATIONS THAT MAY OCCUR. THESE BASIC SAFETY PRECAUTIONS SHOULD ALWAYS BE FOLLOWED TO PROTECT AGAINST PERSONAL INJURY TO THE OPERATOR OR OTHER PERSONNEL IN THE AREA, AS WELL AS DAMAGE TO THE EQUIPMENT. READ AND UNDERSTAND THESE WARNINGS BEFORE USING EQUIPMENT.

Keep tool away from children, and DO NOT allow children near work area. Do not allow children or untrained personnel to handle this tool.

DO NOT operate this stapler while tired, or under the influence of drugs, alcohol, or medication that makes you drowsy.

Never point the stapler at yourself or others - always assume that the stapler is loaded, and proceed with caution.

Wear safety glasses and ear protection. The tool operator and all personnel in the work area must wear safety glasses that protect the front and side, to avoid eye injury. Ear plugs should be worn to avoid hearing damage.

If operator will be working in a situation where overhead work will be done (i.e. on a ladder, stairs, or scaffolding) a hard hat must be worn.

Never wear loose clothing or jewelry because it can get caught in the moving parts of this tool. Make sure long hair is covered, to avoid getting it caught in stapler.

Keep the tool pointed away from yourself and others at all times. Keep hands and all body parts away from rear area of stapler (near air hose) to guard against injury. Keep hands and feet away from firing head during use.

Keep proper balance and footing at all times - do not over-reach.

Never use oxygen, bottled gas or any type of combustible fuel as a power source - it can cause an explosion and serious injury.

Do not use near flammable liquids or gases - the stapler sparks during operation, and could cause an explosion and serious injury.

Use an air hose that will withstand at least 150 psi, OR 150% of the maximum pressure of the compressor.

Never connect this tool to compressed air if the pressure could exceed 200 psi, as the stapler could burst. Use only clean, dry, regulated compressed air, with pressure not exceeding 100 psi.

Disconnect stapler from air supply before loading staples, to prevent a staple being fired during connection to air hose.

Do not use a non-relieving coupler with this stapler - if used, the stapler could remain charged with air after disconnecting, and would still be able to drive a staple even after being disconnected. The stapler and air hose must have a coupling so that all pressure is removed from the stapler when the coupling is disconnected.

Do not depress the trigger while loading staples - accidental firing of a staple can occur. Keep your fingers away from the trigger when not firing staples. Always keep the stapler pointed downward during loading.

Do not use an air hose that is too long - tool operator can trip over it. Make sure all connections are tight.

- Disconnect air hose from stapler
- before performing maintenance or loading staples
 - clearing a staple jam
 - when tool is not in use
 - when moving it to another location
 - when handing stapler to another person

(WARNINGS continued next page)

9615A Parts List

Seal Kit #9615A-400	
Includes:	
Diagram No.	Description
4	SEAL AIR
6	O-RING 11.8*2.4
11	O-RING 26.6*2.4
12	O-RING 21.3*3
14	O-RING 35*2
16	BUMPER
17	GASKET
19	NOZZLE
20	SEAL AIR
23	O-RING 3.5*1.5
25	O-RING 11*1.9
30	E-RING 2.5
33	O-RING 38.5*3.1
39	O-RING 17.3*3
Drive Pin Kit #9615A-410	
Includes:	
Diagram No.	Description
7	PISTON SET

Fastener Kit #9615A-420	
Includes:	
Diagram No.	Description
1	SCREW 5*20
3	COMPRESSION SPRING
8	WASHER 7.3*4.7*0.8
26	SPRING
27	SPRING
29	COMPRESSION SPRING
32	STEP PIN
37	STEP PIN
38	SPRING
45	SCREW 4*16
47	SPACER
48	SCREW 4*8
51	SCREW 4*10
52	EXTENSION SPRING

PARTS SOLD SEPERATELY		
Dia. Part No.	Description	Price
2	9615A-2 EXHAUST COVER	not available
5	9615A-5 CYLINDER CAP	not available
9	9615A-9 HEAD VALVE PISTON	not available
10	9615A-10 PISTON STOPPER	not available
13	9615A-13 COLLAR	not available
15	9615A-15 CYLINDER	not available
18	9615A-18 BODY	not available
21	9615A-21 TRIGGER VALVE HEAD	not available
22	9615A-22 TRIGGER VALVE STEM	not available
24	9615A-24 TRIGGER VALVE GUIDE	not available
28	9615A-28 TRIGGER SAFETY LOCK	not available
31	9615A-31 TRIGGER	not available
34	9615A-34 TAIL COVER	not available
35	9615A-35 AIR PLUG	not available
36	9615A-36 CLICK LEVER	not available
44	9615A-44 GRIP	not available
46	9615A-46 DRIVER GUIDE	not available
49	9615A-49 STOPPER	not available
50	9615A-50 UPPER MAGAZINE	not available
53	9615A-53 PUSHER	not available
54	9615A-54 MAGAZINE ASSEMBLY	not available
Kit Prices		
9615A-400	SEAL KIT	www.surebonder.com
9615A-410	DRIVE PIN KIT	www.surebonder.com
9615A-420	FASTENER KIT	www.surebonder.com

Buy parts at: www.surebonder.com

Preparing for Use

If stapler has been stored in a cold environment, bring it to a warm area and allow it to warm up before using.

Loading Staples

- **Make sure stapler is disconnected from air supply.**
- **Make sure trigger safety lock is in locked position (Fig. 1).**
- Only use the proper size and type of staple with this stapler, as specified under "Staples".
- Depress the track release lever to release the spring-loaded staple magazine; slide the magazine out (back) as far as it will go.

TO LOAD STAPLES - TURN STAPLER UPSIDE DOWN, insert a full strip of staples into the staple magazine with the staple points facing up (Fig. 2). Slide the staple magazine closed until the track release lever clicks back in place. (Closing the staple magazine while staples are loaded engages the spring-load mechanism, so it will take slightly more pressure to slide the magazine closed).

Unlock Trigger Safety after Loading Staples to begin Stapling

- Be sure staples are loaded correctly into stapler (Fig. 2).
- Grip the body of the stapler firmly, make sure the nosepiece is placed securely against the work surface.
- Pull down trigger safety lock to unlocked position (Fig. 3) and pull the trigger to drive a staple.
- Remove finger from the trigger.
- To drive another staple, move the stapler to next area on work surface to be stapled, and repeat these steps.

Fig. 2: LOADING STAPLES: Turn stapler upside down, insert a full strip of staples into staple magazine with staple points facing up. (see diagram)



After Stapling

- **Disconnect the air hose from the stapler.**
- Remove all staples from the staple magazine of the stapler.
- Place several drops of oil (included in case) into the air inlet.
- Shut off air compressor and drain any moisture from the compressor tank.
- Drain the air line filter; clean the filter element, then blow air in opposite direction to remove any dirt/debris.
- Keep lubricator filled with oil (included in case).

Clearing Staple Jams

- **Disconnect the air hose from the stapler.**
- Unscrew 4 nosepiece screws to release nosepiece (Fig. 4).
- Clean and carefully remove staple strip from staple magazine.
- Remove any remaining loose staples from inside the staple magazine, using pliers to grasp the staples, if necessary.
- Once jammed staples have been removed, reload stapler.



APPLICATIONS

Including, but not limited to: various upholstery applications, trim, frames, cornices, etc.

FEATURES

- Rubber hand grip for comfort
- Quick release magazine for easy drop-in staple loading
- Trigger safety lock
- High impact carrying case

STAPLES

The Surebonder 9615A Upholstery Stapler is designed to use 3/8" narrow crown, 22 gauge, upholstery staple in 5/16", 3/8", 1/2", and 9/16", 5/8" leg lengths.

For best results use:

Surebonder 300 Series Narrow Crown Upholstery Staples.

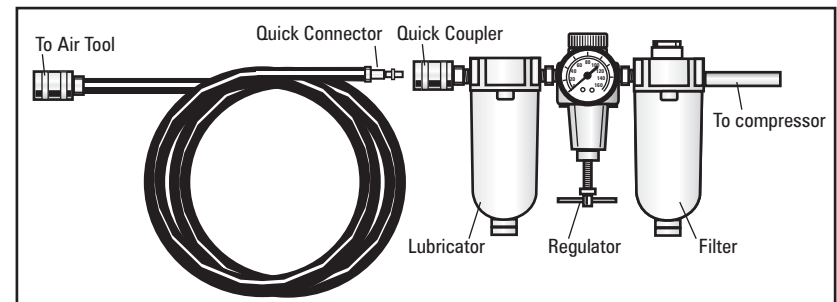
AIR SUPPLY

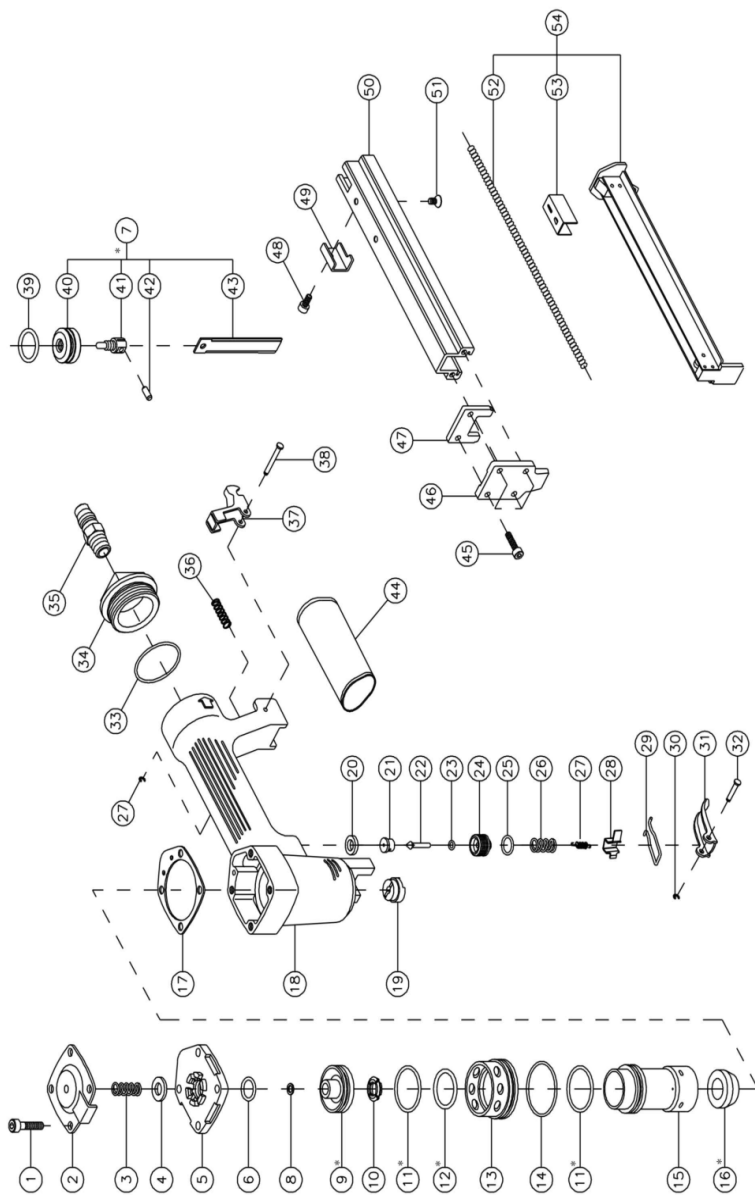
This stapler is designed to operate on clean, dry, regulated compressed air, between **60 and 100 psi. (Do not exceed 100 psi)**. It is preferable to include an air filter, pressure regulator, and automatic oiler within 15 feet of the tool, if possible.

An air filter is needed to remove contaminants and moisture that are contained in compressed air; filtering will significantly prolong the life of the tool. If an automatic oiler is not installed, **place 5 to 6 drops of oil into the tool's air inlet at the beginning of each work day and 2 to 3 drops of oil after using approximately 3 strips of staples.**

The staple gun comes factory-equipped with a male quick connector. The staple gun must always be connected to the air supply with a coupling that removes all pressure when it is disconnected.

NOTE: all components used with this staple gun (air hose, connectors, regulators, filters, etc) must be rated at 150 psi, OR 150% of the maximum compressor potential, whichever is higher. Do not connect this staple gun to a system with maximum potential air pressure greater than 200 psi.





DO NOT place finger on trigger when disconnecting air hose - the stapler could fire when reconnected to the air supply.

Carry tool by the handle only, not by the air hose.

Do not drive staples close to the edge of the workpiece. It could split, allowing a staple to fly or ricochet and causing personal injury. Do not try to drive staples at too steep an angle. Make sure stapler is held firmly during firing to minimize recoil.

Do not drive a staple into very hard material, thin material, or on top of an existing staple - the staple could ricochet, causing personal injury.

Never use the stapler if it is leaking air, stapler has missing or damaged parts, or requires repair. Make sure all screws and caps are securely tightened.

Inspect the stapler before each use to insure that the trigger and spring are operating properly. Lock the stapler in a clean, dry storage area between uses.

Only use parts, staples, and accessories supplied or recommended by FPC Corporation. Unauthorized parts or fasteners can lead to malfunction and serious injury. Only personnel trained by FPC Corporation, the distributor, or the employer shall repair the stapler. Do not modify this tool without the written approval of FPC Corporation.

Manufacturer assumes no responsibility for consequential or indirect damages from the use of this product.

WARNING

WARNING: This product contains chemicals known to the State of California to cause cancer, birth defects, or other reproductive harm. (This warning is given in compliance with California's Proposition 65.)

Save this manual and have it available for tool operators reference!

Specifications

Overall Dimensions:	9" x 5.75" x 1.75"
Operating Pressure:	60 - 100 psi (do not exceed 100 psi)
Magazine Capacity:	100 staples
Air Inlet Size:	3/8" npt
Weight of Tool:	1.90 lbs.
Staple Specs:	300 series, 3/8" narrow crown, 22 gauge upholstery staples, 5/16", 3/8", 1/2", 9/16", 5/8" leg lengths

